



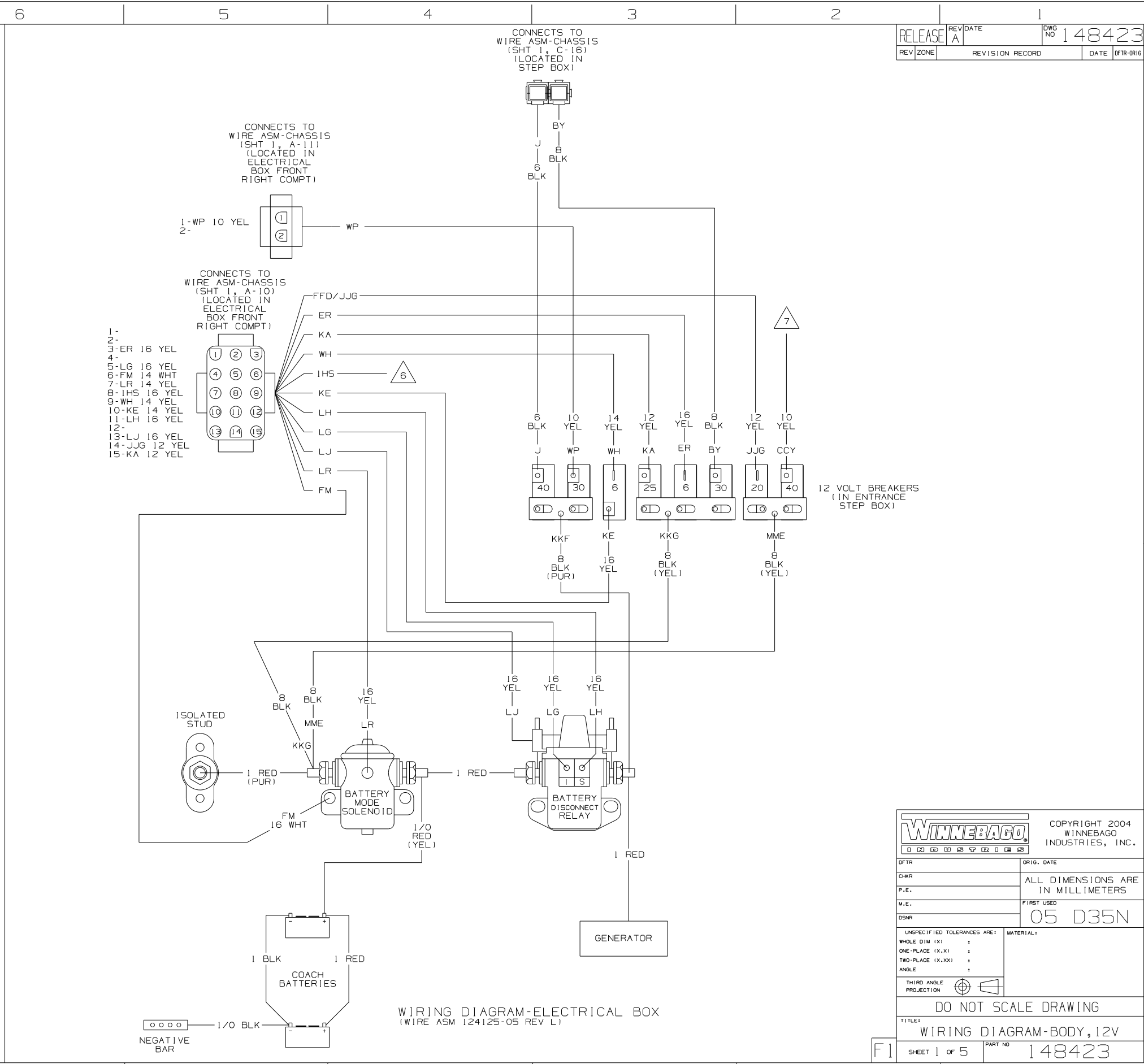
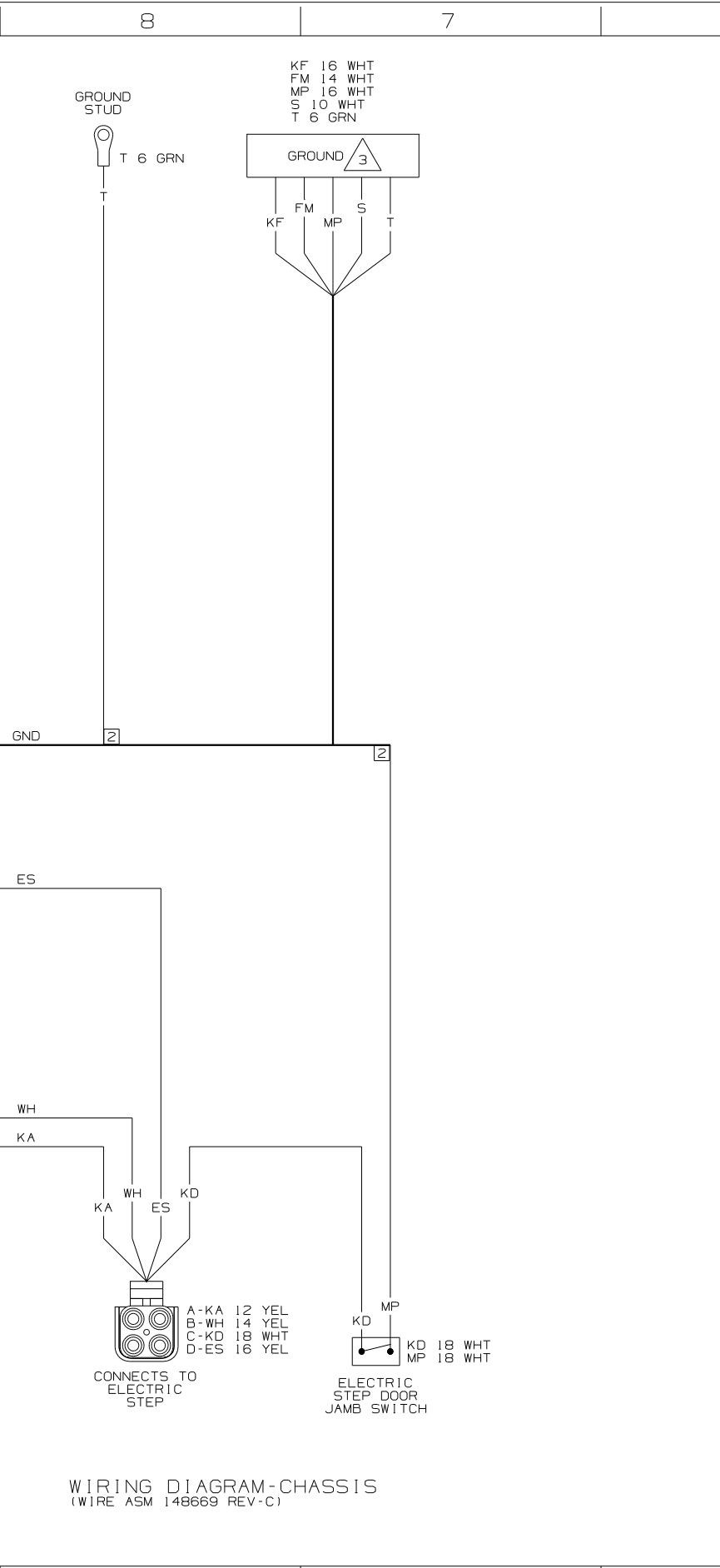
DANGER

Danger of electrical shock, burns or death. Always remove all power sources before attempting any repair, service or diagnostic work. Power can be present from shore power, generator, inverter or battery. All power sources must be disabled and secured before performing any service.

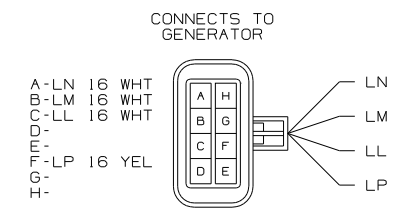
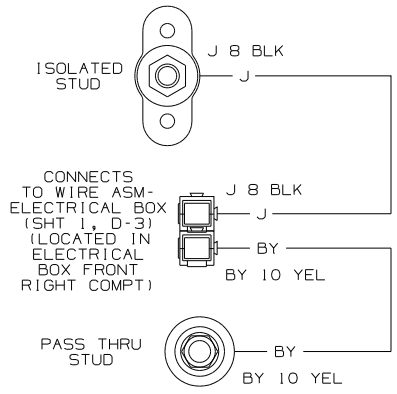
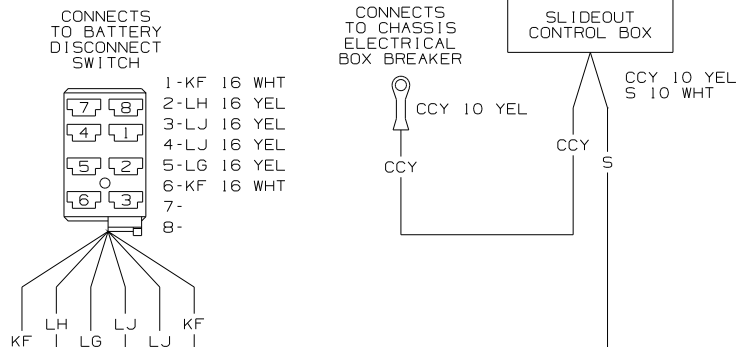
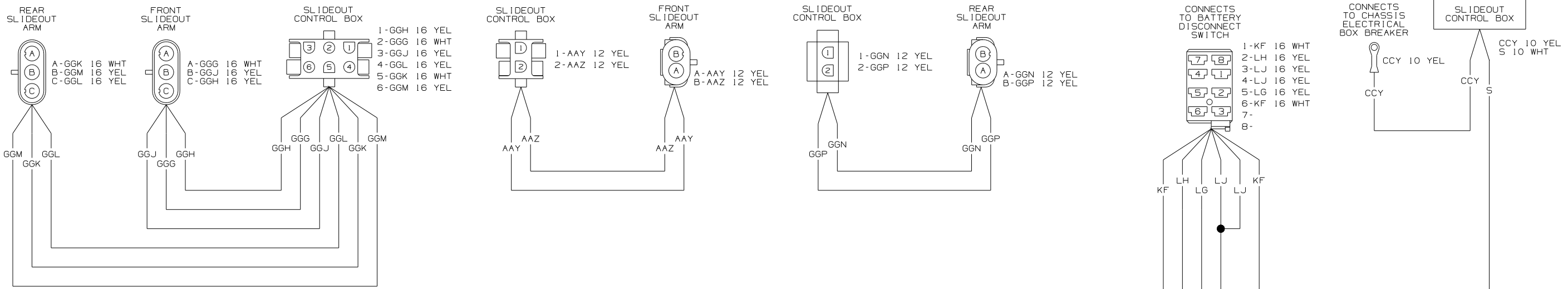


CAUTION

If you lack the skills, tools or equipment to perform diagnostic or repair work leave such work to an authorized Winnebago Industries dealer or other qualified shop.

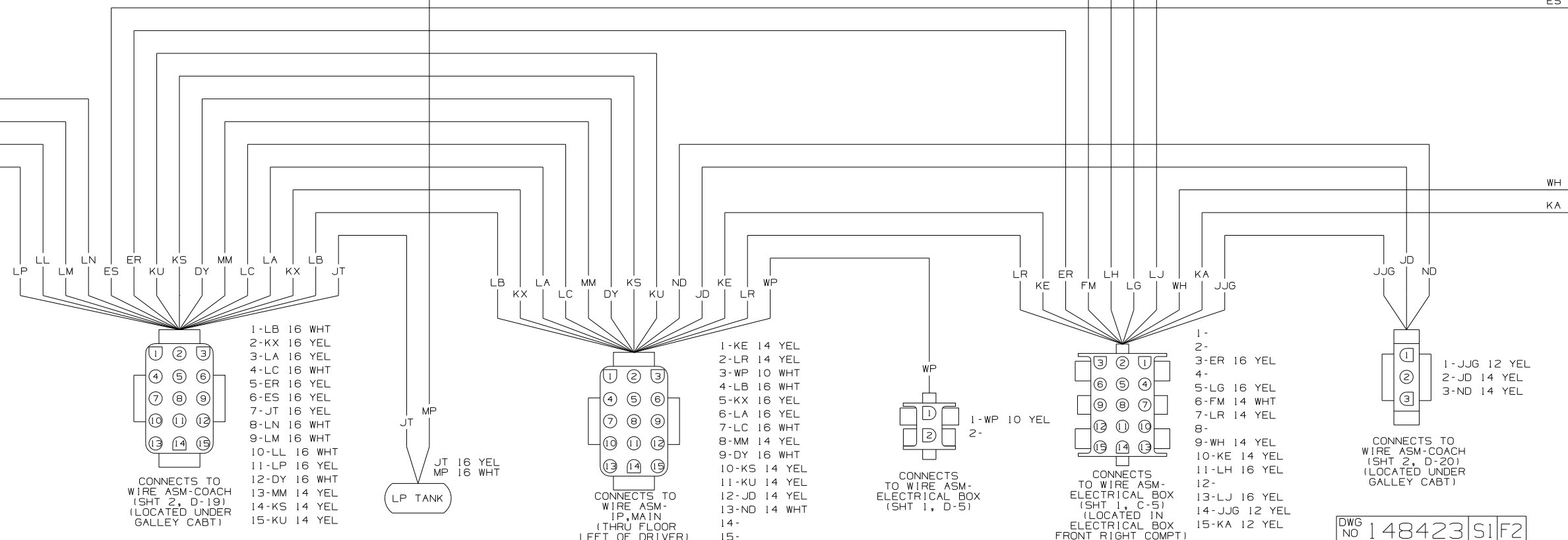


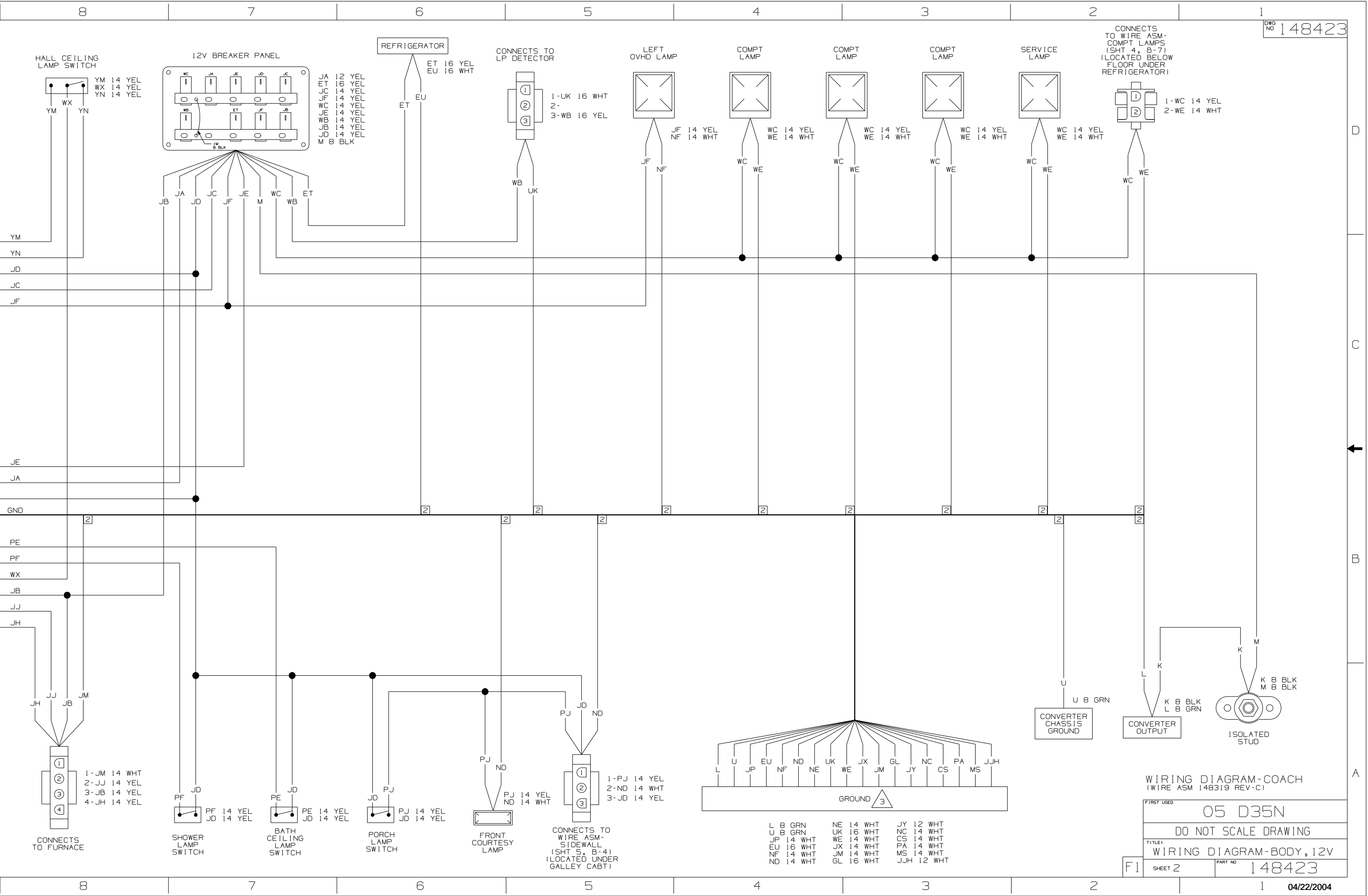
WINNEBAGO		COPYRIGHT 2004 WINNEBAGO INDUSTRIES, INC.	
DFTR	ORIG. DATE	ALL DIMENSIONS ARE IN MILLIMETERS	
CHR		M.E.	
P.E.		FIRST USED	
M.E.		05 D35N	
DSNR		UNSPECIFIED TOLERANCES ARE:	
		MATERIAL:	
		HOLE DIM (X) :	
		ONE-PLACE (X, X) :	
		TWO-PLACE (X, XX) :	
		ANGLE :	
		THIRD ANGLE PROJECTION	
DO NOT SCALE DRAWING			
TITLE: WIRING DIAGRAM-BODY, 12V			
SHEET 1 of 5	PART NO	148423	
REF:	1	04/22/2004	



- 7 WIRE IS PART OF WIRE ASM-CHASSIS.
- 6 UNUSED WIRES TAPED BACK TO HARNESS.
- 5 SEE WIRING DIAGRAM-AUTO FOR ADDITIONAL INFORMATION.
- 4 SEE MANUFACTURERS DIAGRAM FOR ADDITIONAL INFORMATION.
- 3 GROUNDS ARE SHOWN AS A SINGLE LINE FOR EASE IN TRACING. EACH GROUND CIRCUIT IS SEPERATE IN THE HARNESS.
- 2 NOT A SPLICE POINT. INDICATES ENTRY INTO WIRING HARNESS.

NOTES:
 1. SPLICES ARE THEORETICAL AND MAY DIFFER IN THE HARNESS.





CONNECTS TO WIRE ASM-COMPT LAMPS (SHT 4, B-7) (LOCATED BELOW FLOOR UNDER REFRIGERATOR)

1-WC 14 YEL
2-WE 14 WHT

12V BREAKER PANEL

REFRIGERATOR

CONNECTS TO LP DETECTOR

LEFT OVHD LAMP

COMPT LAMP

COMPT LAMP

COMPT LAMP

SERVICE LAMP

HALL CEILING LAMP SWITCH

YM 14 YEL
WX 14 YEL
YN 14 YEL

JA 12 YEL
ET 16 YEL
JC 14 YEL
JF 14 YEL
WC 14 YEL
JE 14 YEL
WB 14 YEL
JB 14 YEL
JD 14 YEL
M 8 BLK

1-UK 16 WHT
2-3-WB 16 YEL

JF 14 YEL
NF 14 WHT

WC 14 YEL
WE 14 WHT

WC 14 YEL
WE 14 WHT

WC 14 YEL
WE 14 WHT

WC 14 YEL
WE 14 WHT

JB JA JD JC JF JE M WC WB ET

YM

YN

JD

JC

JF

JE

JA

GND

PE

PF

WX

JB

JJ

JH

JH JJ JB JM

1-JM 14 WHT
2-JJ 14 YEL
3-JB 14 YEL
4-JH 14 YEL

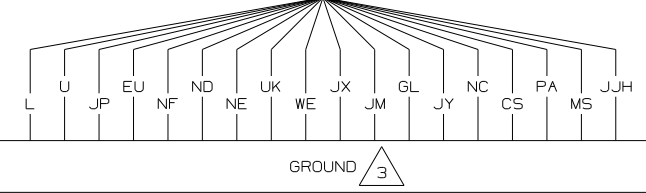
SHOWER LAMP SWITCH

BATH CEILING LAMP SWITCH

PORCH LAMP SWITCH

FRONT COURTESY LAMP

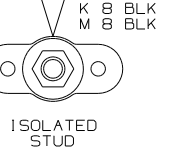
CONNECTS TO WIRE ASM-SIDEWALL (SHT 5, B-4) (LOCATED UNDER GALLEY CABT)



L 8 GRN
U 8 GRN
JP 14 WHT
EU 16 WHT
NF 14 WHT
ND 14 WHT
NE 14 WHT
UK 16 WHT
WE 14 WHT
JX 14 WHT
JM 14 WHT
GL 16 WHT
JY 12 WHT
NC 14 WHT
CS 14 WHT
PA 14 WHT
MS 14 WHT
JJH 12 WHT

CONVERTER CHASSIS GROUND

CONVERTER OUTPUT



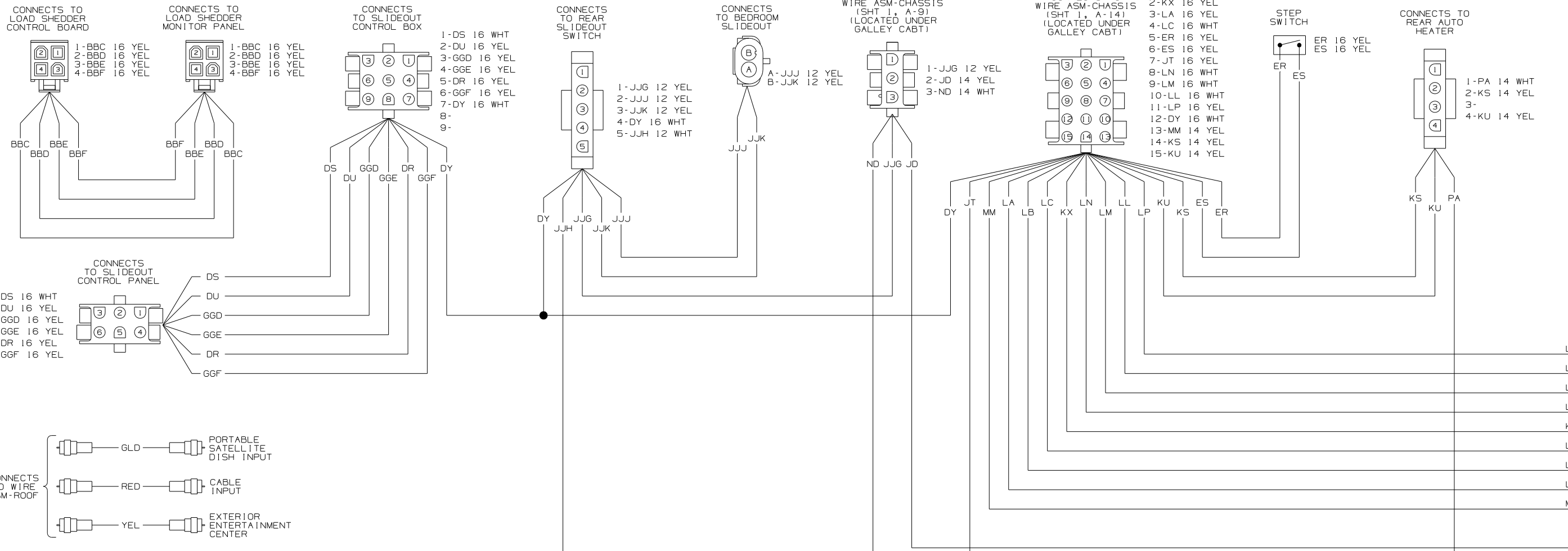
WIRING DIAGRAM-COACH (WIRE ASM 148319 REV-C)

FIRST USED 05 D35N

DO NOT SCALE DRAWING

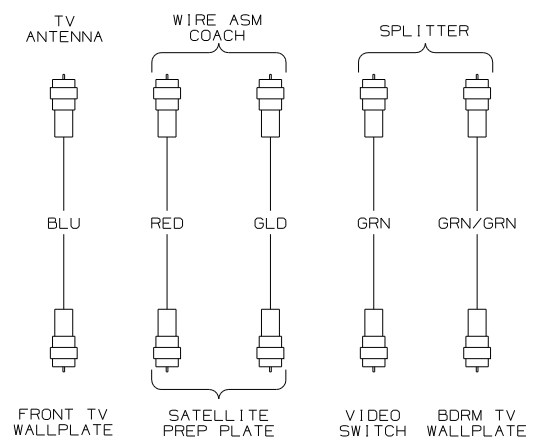
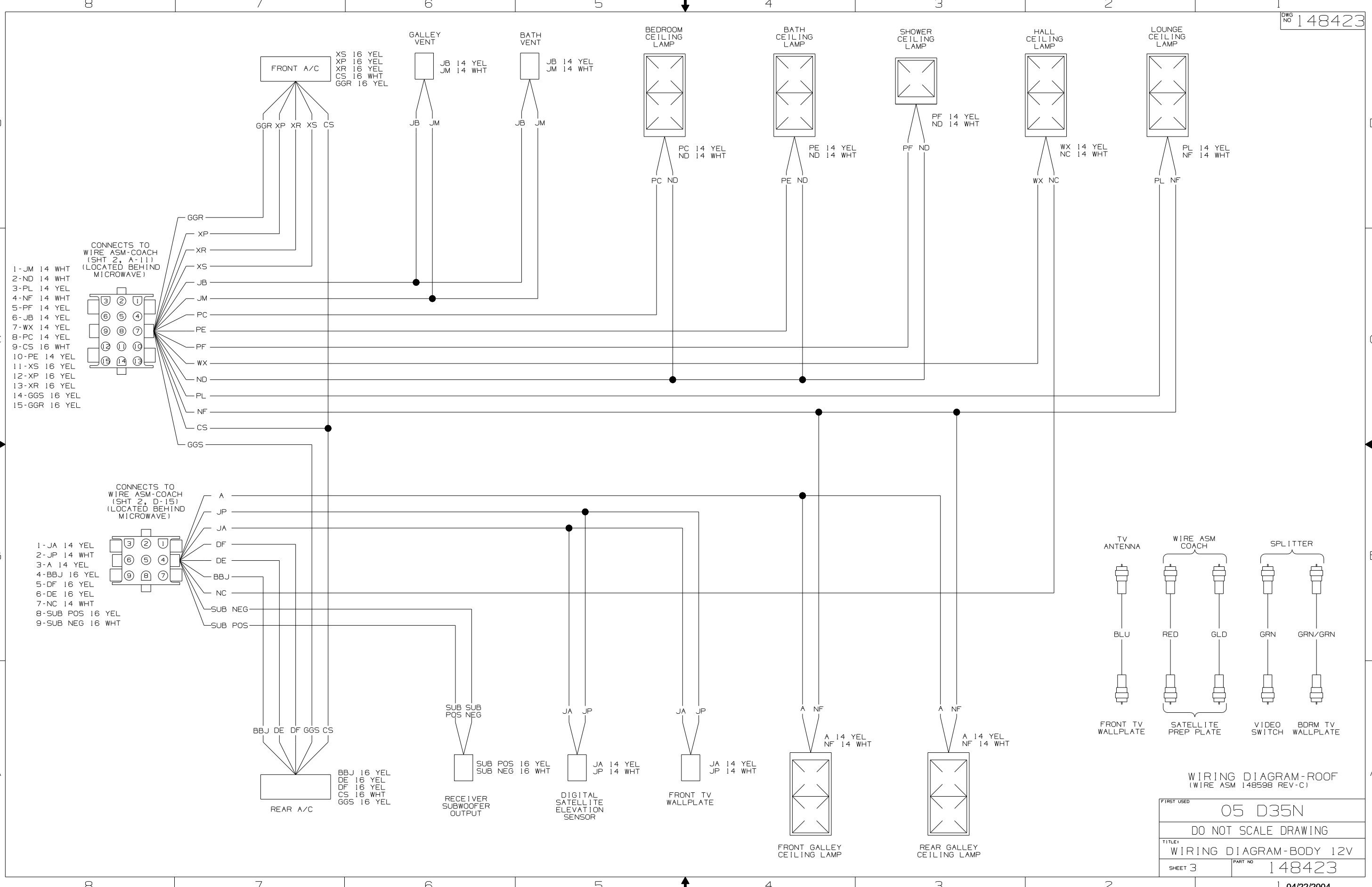
TITLE: WIRING DIAGRAM-BODY, 12V

SHEET 2 PART NO 148423



- 5 SEE WIRING DIAGRAM-AUTO FOR ADDITIONAL INFORMATION.
- 4 SEE MANUFACTURERS DIAGRAM FOR ADDITIONAL INFORMATION.
- 3 GROUNDS ARE SHOWN AS A SINGLE LINE FOR EASE IN TRACING. EACH GROUND CIRCUIT IS SEPERATE IN THE HARNESS.
- 2 NOT A SPLICE POINT. INDICATES ENTRY INTO WIRING HARNESS.
1. SPLICES ARE THEORETICAL AND MAY DIFFER IN THE HARNESS.

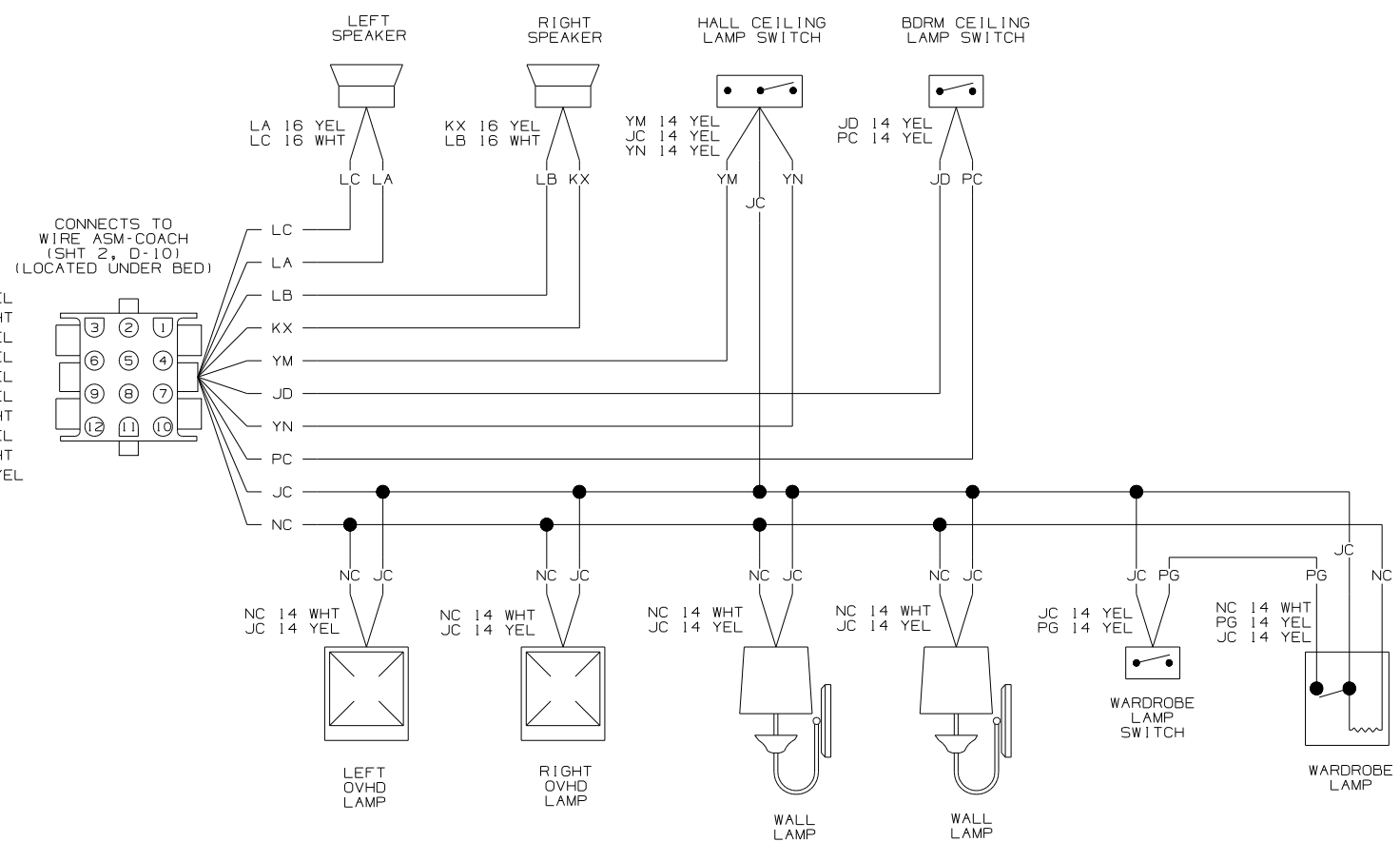
NOTES:



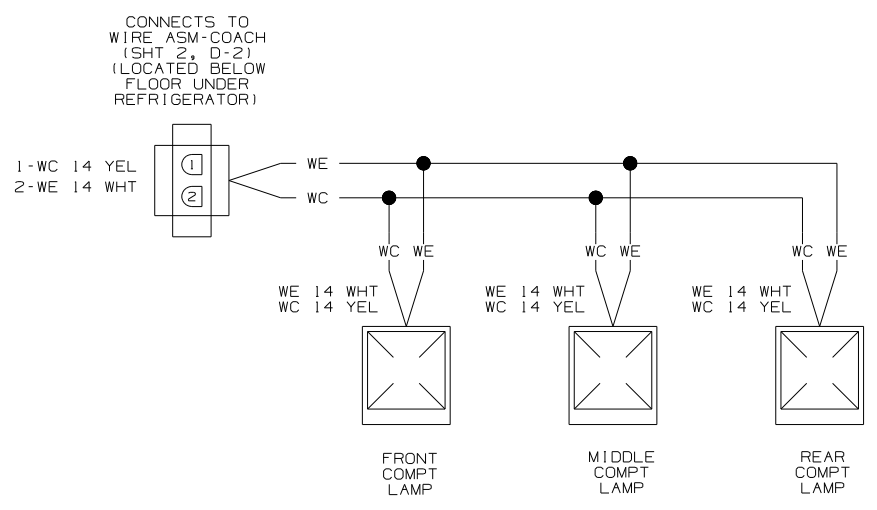
WIRING DIAGRAM-ROOF
(WIRE ASM 148598 REV-C)

FIRST USED	05 D35N
DO NOT SCALE DRAWING	
TITLE:	WIRING DIAGRAM-BODY 12V
SHEET 3	PART NO 148423

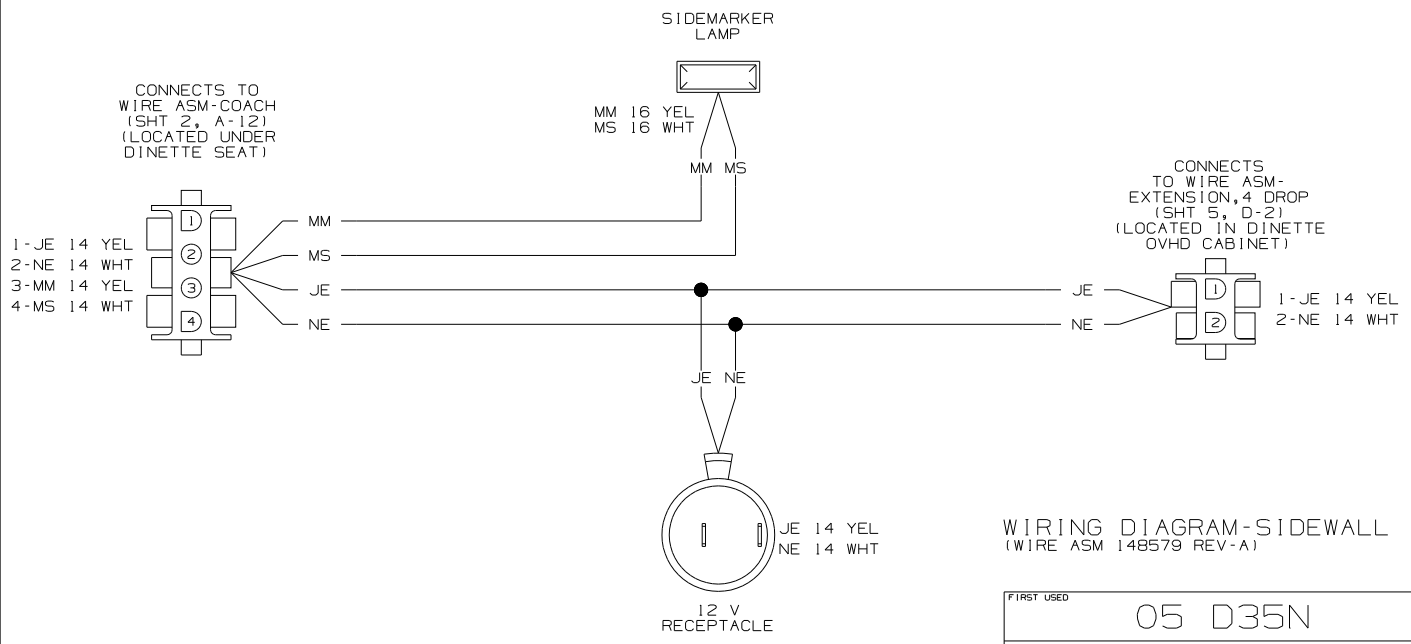
1 04/22/2004



WIRING DIAGRAM-SLIDEOUT, REAR
(WIRE ASM 148599 REV-A)



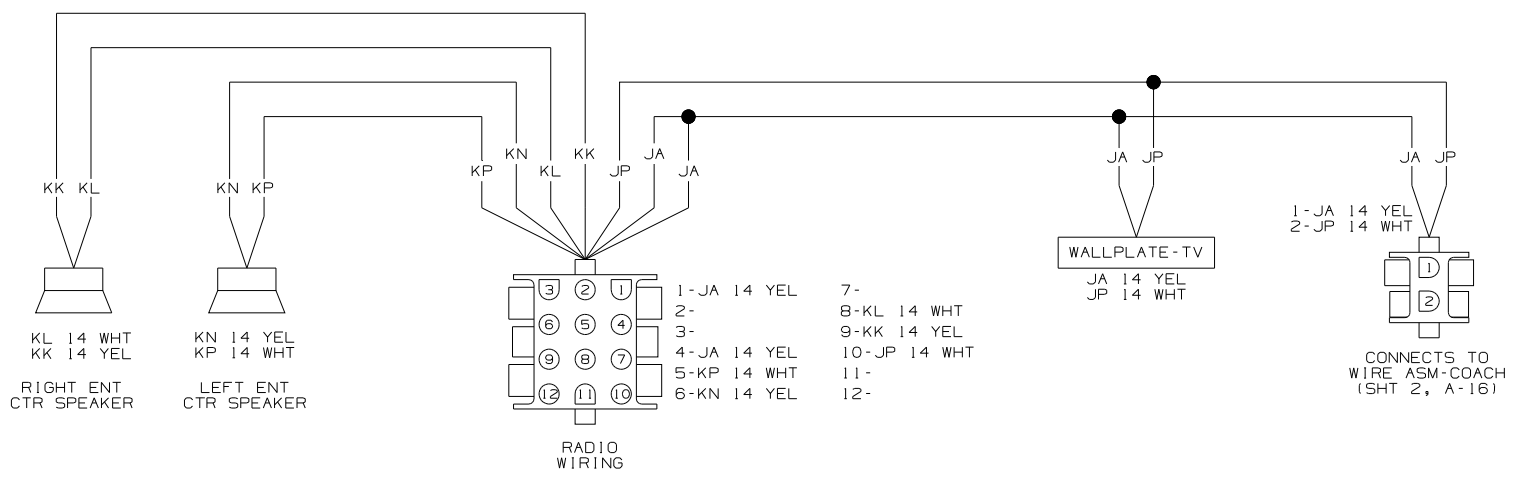
WIRING DIAGRAM-COMPT LAMP
(WIRE ASM 145940 REV-B)



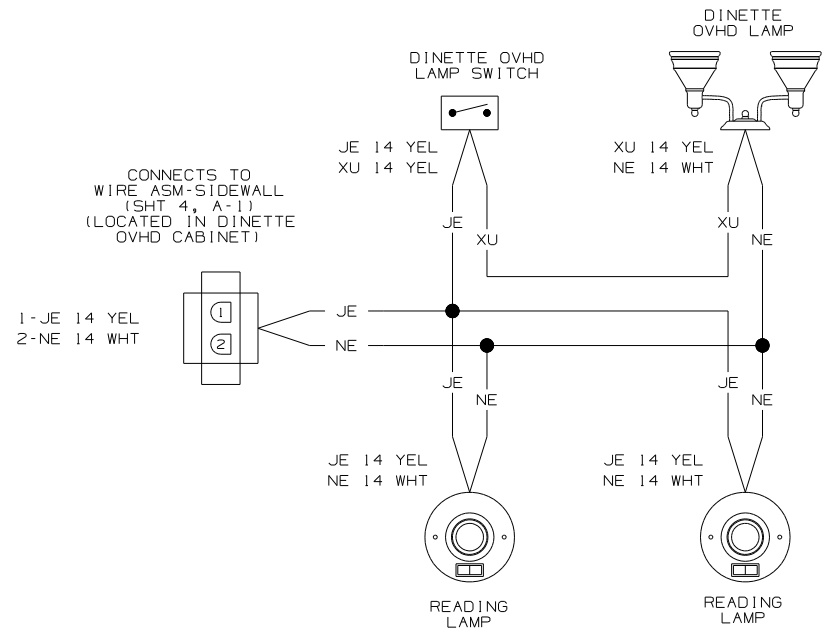
WIRING DIAGRAM-SIDEWALL
(WIRE ASM 148579 REV-A)

NOTES:
1. SPLICES ARE THEORETICAL AND MAY DIFFER IN THE HARNESS.

FIRST USED	05 D35N
TITLE	DO NOT SCALE DRAWING
	WIRING DIAGRAM-BODY, 12V
SHEET 4	PART NO 148423



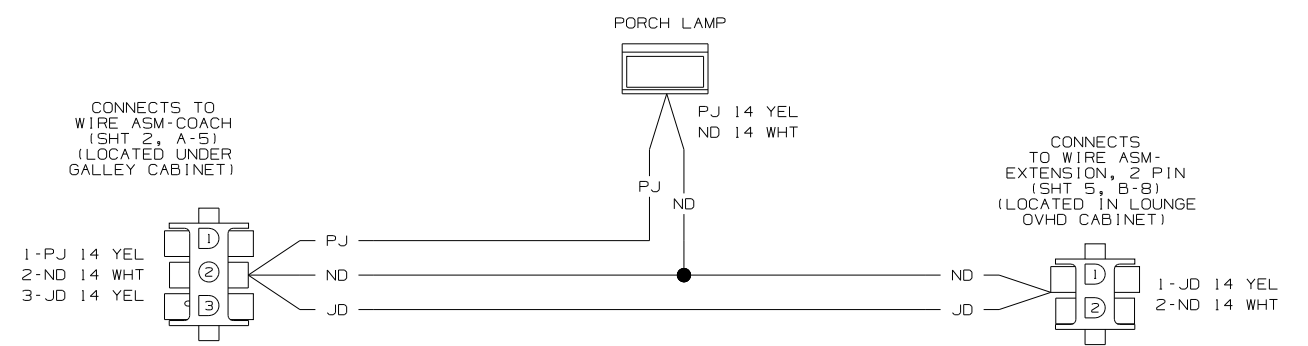
WIRING DIAGRAM-ENTERTAINMENT CENTER
(WIRE ASM 125853-04 REV-L)



WIRING DIAGRAM-OVHD
(WIRE ASM 148580 REV-A)



WIRING DIAGRAM-EXTENSION, 2 PIN
(WIRE ASM 133572-01 REV-E)



WIRING DIAGRAM-SIDEWALL
(WIRE ASM 45985 REV-A)

NOTES:
1. SPLICES ARE THEORETICAL AND MAY DIFFER IN THE HARNESS.

FIRST USED	05 D35N
TITLE	DO NOT SCALE DRAWING
	WIRING DIAGRAM-BODY, 12V
SHEET 5	PART NO 148423



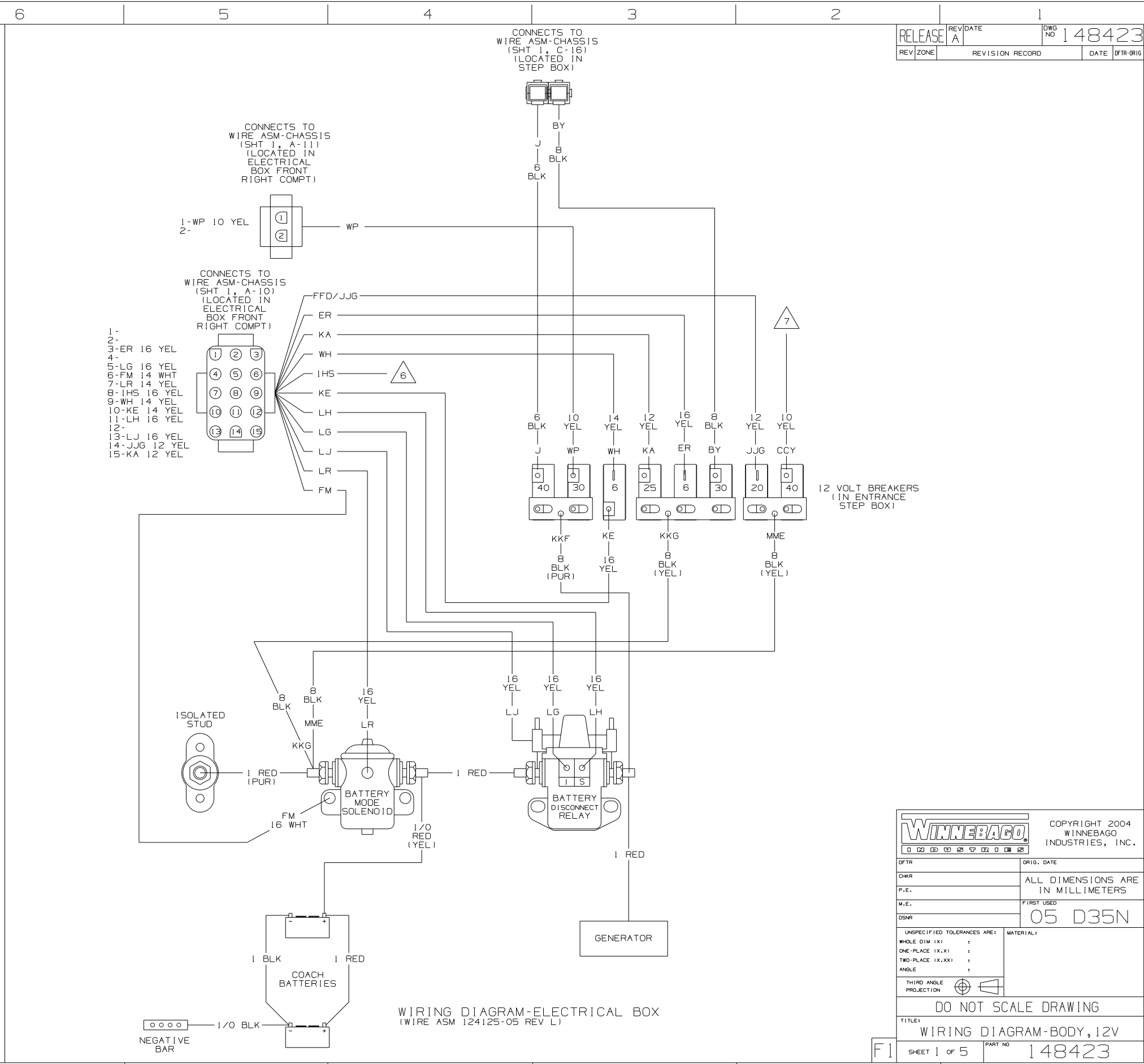
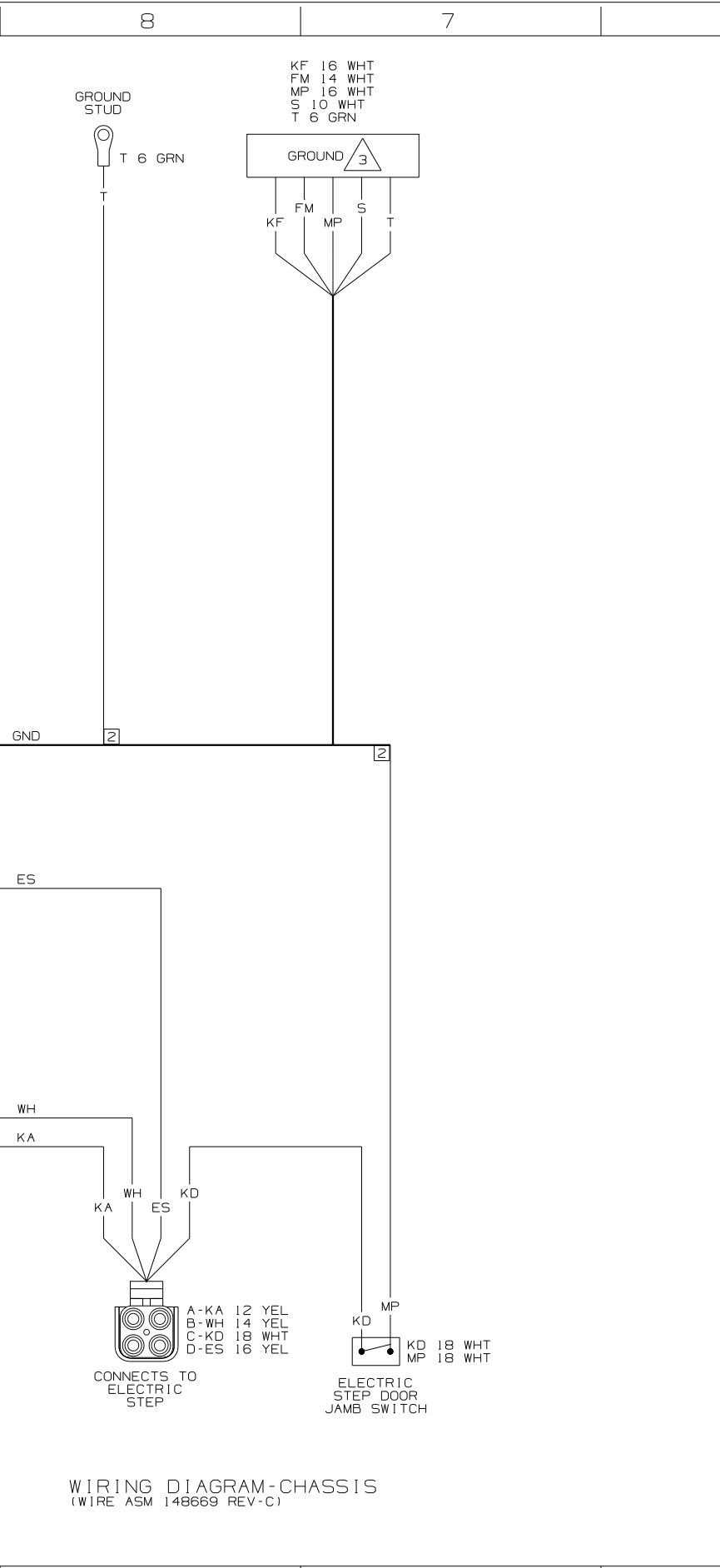
DANGER

Danger of electrical shock, burns or death. Always remove all power sources before attempting any repair, service or diagnostic work. Power can be present from shore power, generator, inverter or battery. All power sources must be disabled and secured before performing any service.

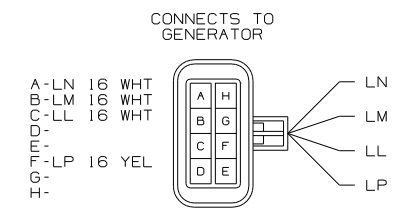
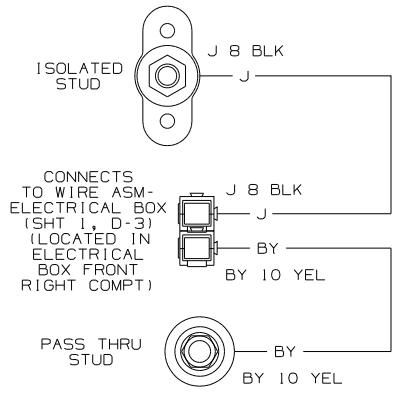
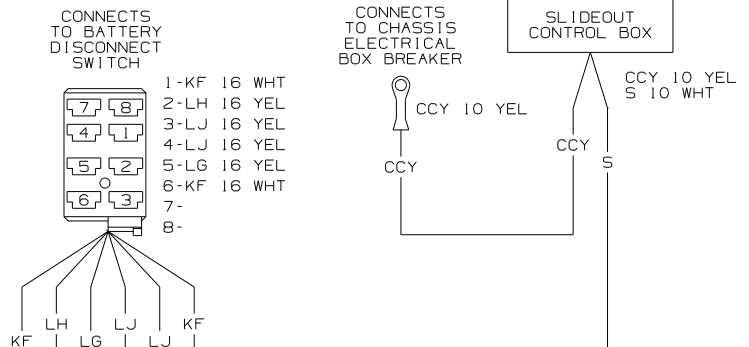
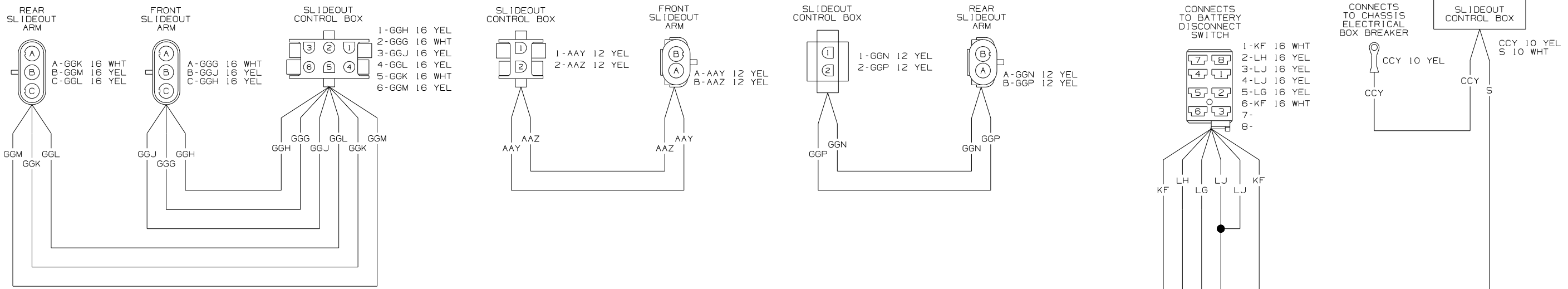


CAUTION

If you lack the skills, tools or equipment to perform diagnostic or repair work leave such work to an authorized Winnebago Industries dealer or other qualified shop.

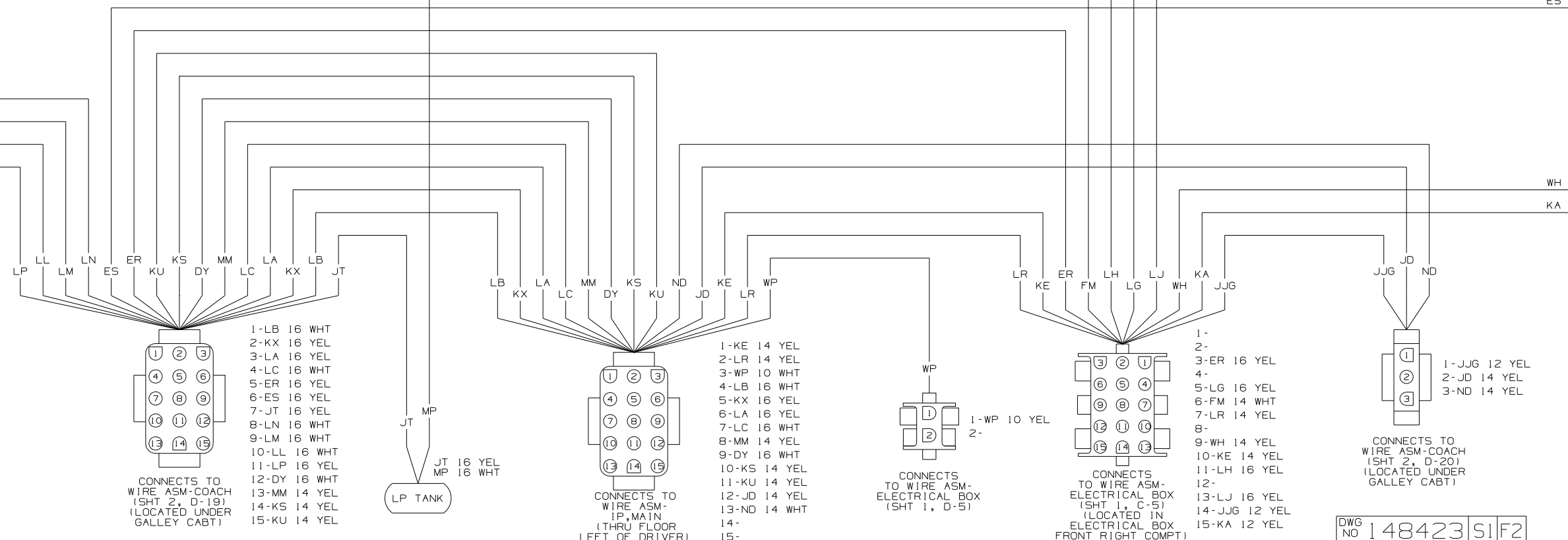


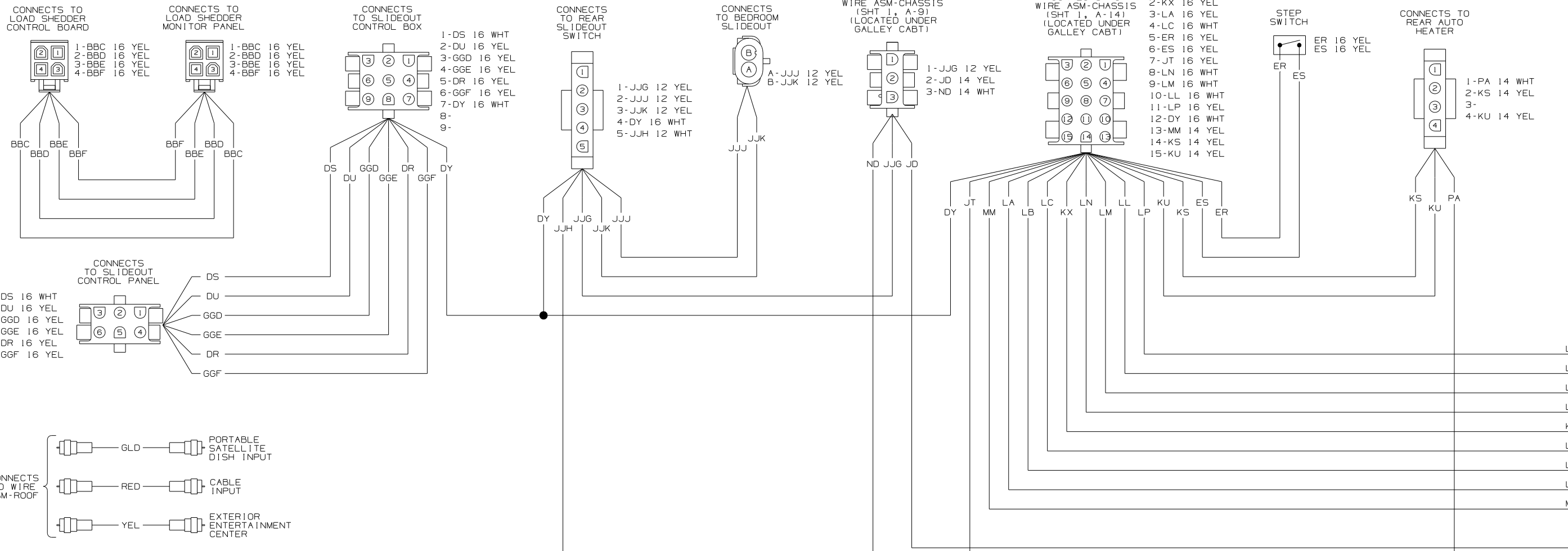
WINNEBAGO		COPYRIGHT 2004 WINNEBAGO INDUSTRIES, INC.	
DFTR	ORIG. DATE	ALL DIMENSIONS ARE IN MILLIMETERS	
CHR		M.E.	
P.E.		FIRST USED	
M.E.		05 D35N	
DSNR		UNSPECIFIED TOLERANCES ARE:	
		MATERIAL:	
		HOLE DIM (X)	
		ONE-PLACE (X.X)	
		TWO-PLACE (X.XX)	
		ANGLE	
		THIRD ANGLE PROJECTION	
DO NOT SCALE DRAWING			
TITLE: WIRING DIAGRAM-BODY, 12V			
SHEET 1 of 5		PART NO 148423	
REF: 1		04/22/2004	



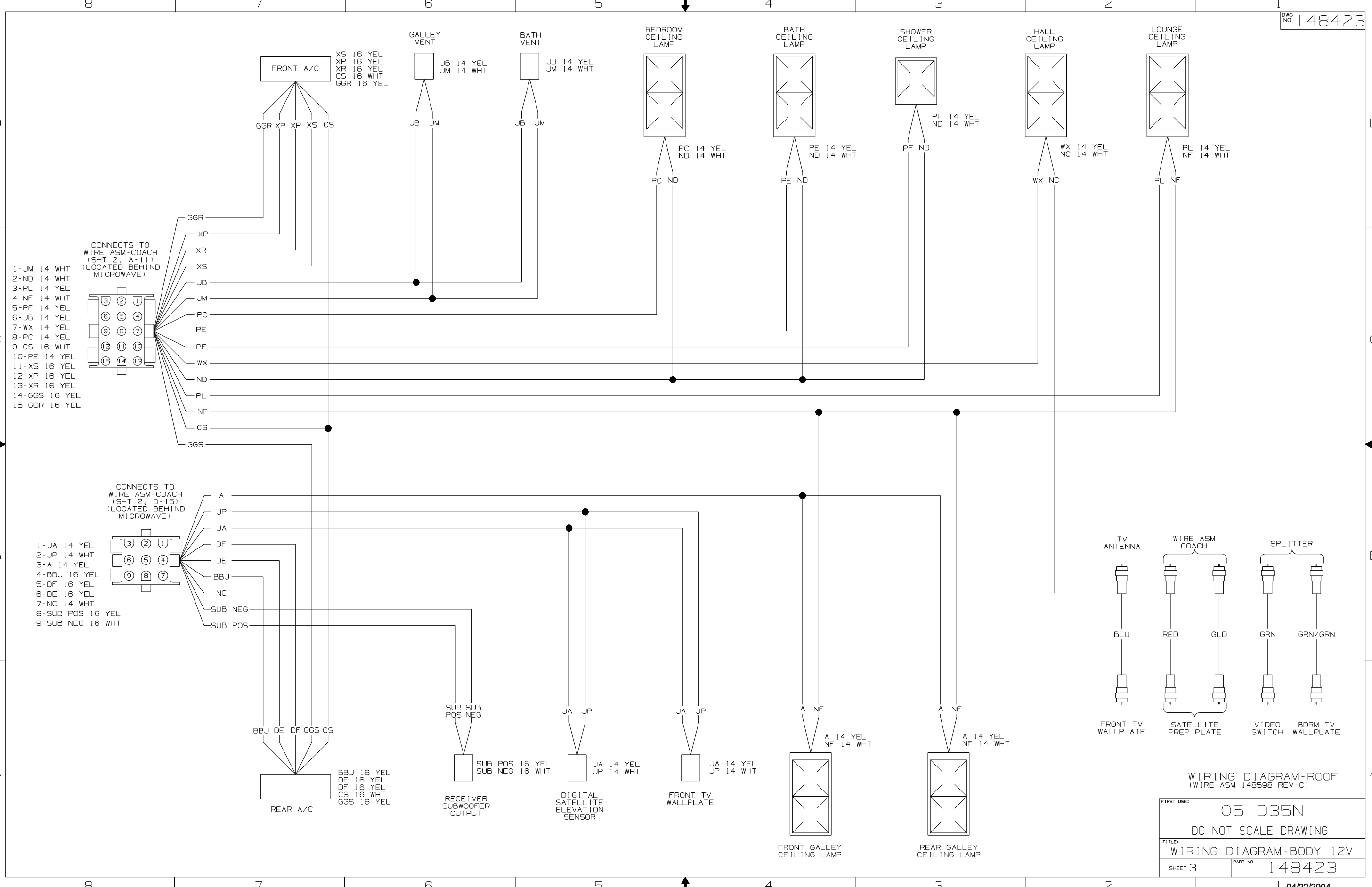
- 7 WIRE IS PART OF WIRE ASM-CHASSIS.
- 6 UNUSED WIRES TAPED BACK TO HARNESS.
- 5 SEE WIRING DIAGRAM-AUTO FOR ADDITIONAL INFORMATION.
- 4 SEE MANUFACTURERS DIAGRAM FOR ADDITIONAL INFORMATION.
- 3 GROUNDS ARE SHOWN AS A SINGLE LINE FOR EASE IN TRACING. EACH GROUND CIRCUIT IS SEPERATE IN THE HARNESS.
- 2 NOT A SPLICE POINT. INDICATES ENTRY INTO WIRING HARNESS.

NOTES:
 1. SPLICES ARE THEORETICAL AND MAY DIFFER IN THE HARNESS.





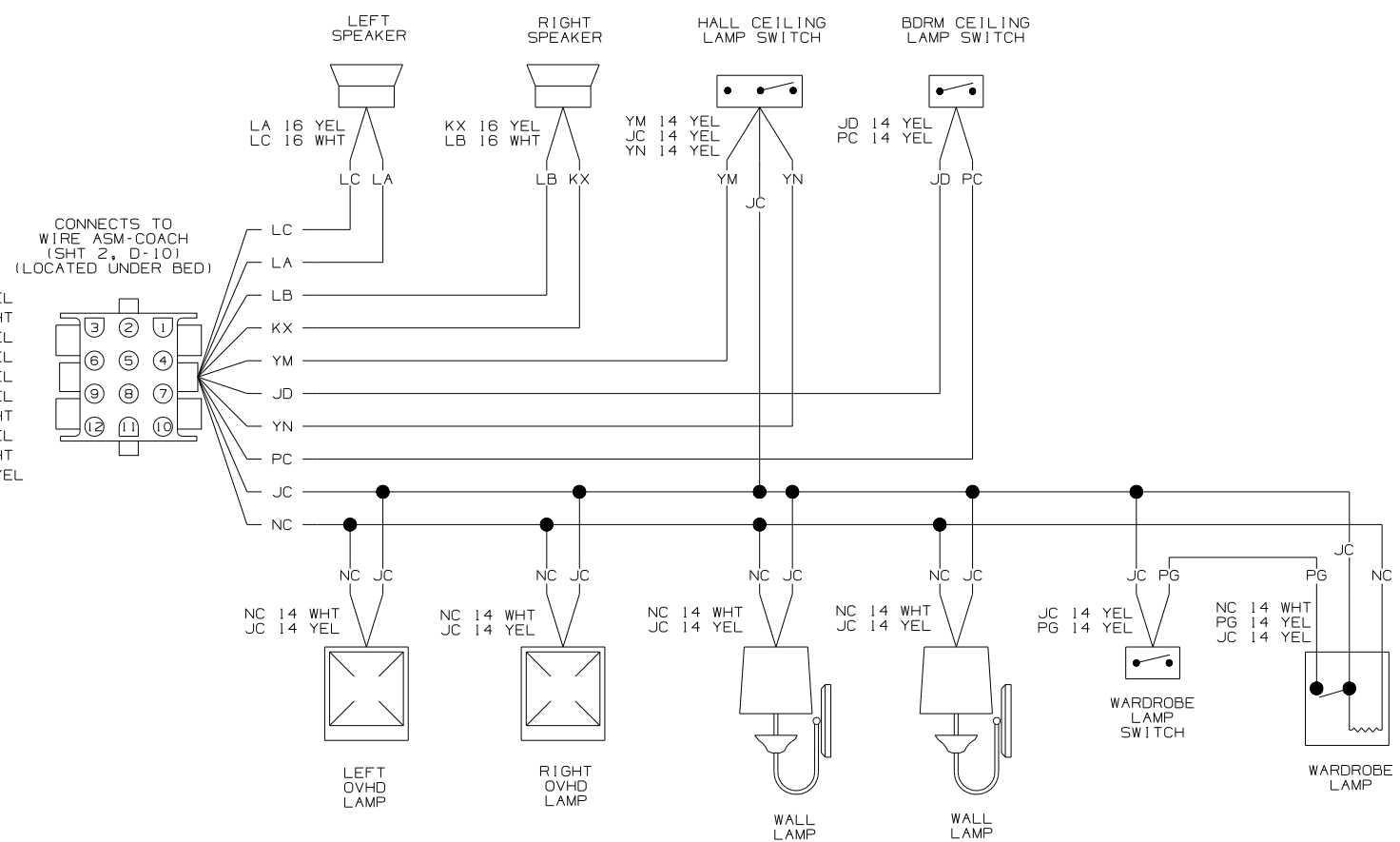
- NOTES:**
- 5 SEE WIRING DIAGRAM-AUTO FOR ADDITIONAL INFORMATION.
 - 4 SEE MANUFACTURERS DIAGRAM FOR ADDITIONAL INFORMATION.
 - 3 GROUNDS ARE SHOWN AS A SINGLE LINE FOR EASE IN TRACING. EACH GROUND CIRCUIT IS SEPERATE IN THE HARNESS.
 - 2 NOT A SPLICE POINT. INDICATES ENTRY INTO WIRING HARNESS.
 - 1. SPLICES ARE THEORETICAL AND MAY DIFFER IN THE HARNESS.



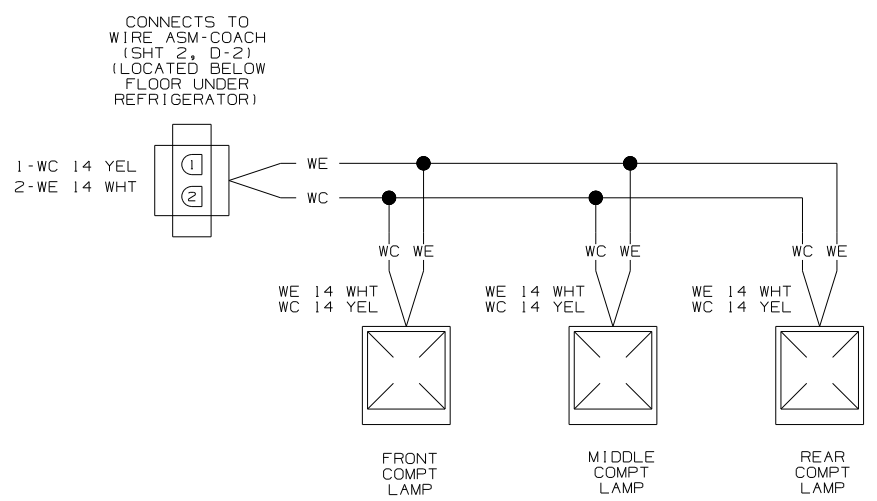
WIRING DIAGRAM-ROOF
(WIRE ASM 148598 REV-C)

FIRST USED	05 D35N
DO NOT SCALE DRAWING	
TITLE	WIRING DIAGRAM-BODY 12V
SHEET 3	PART NO 148423

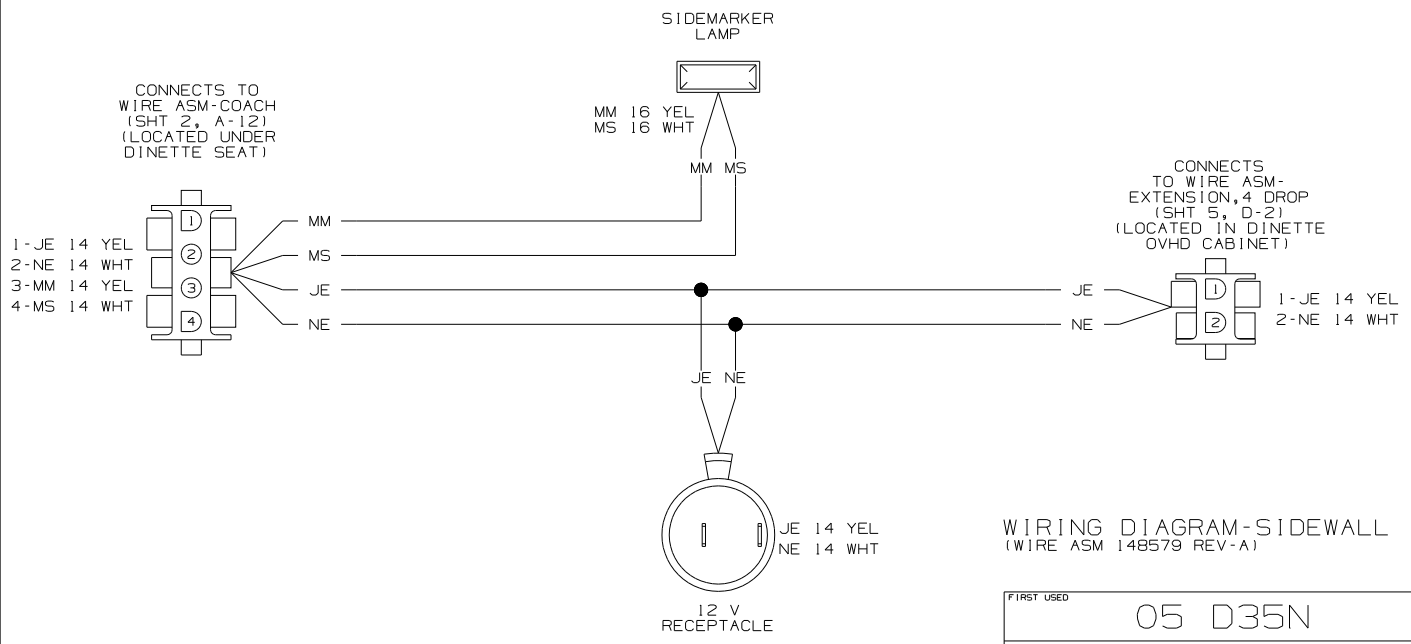
1 04/22/2004



WIRING DIAGRAM-SLIDEOUT, REAR
(WIRE ASM 148599 REV-A)



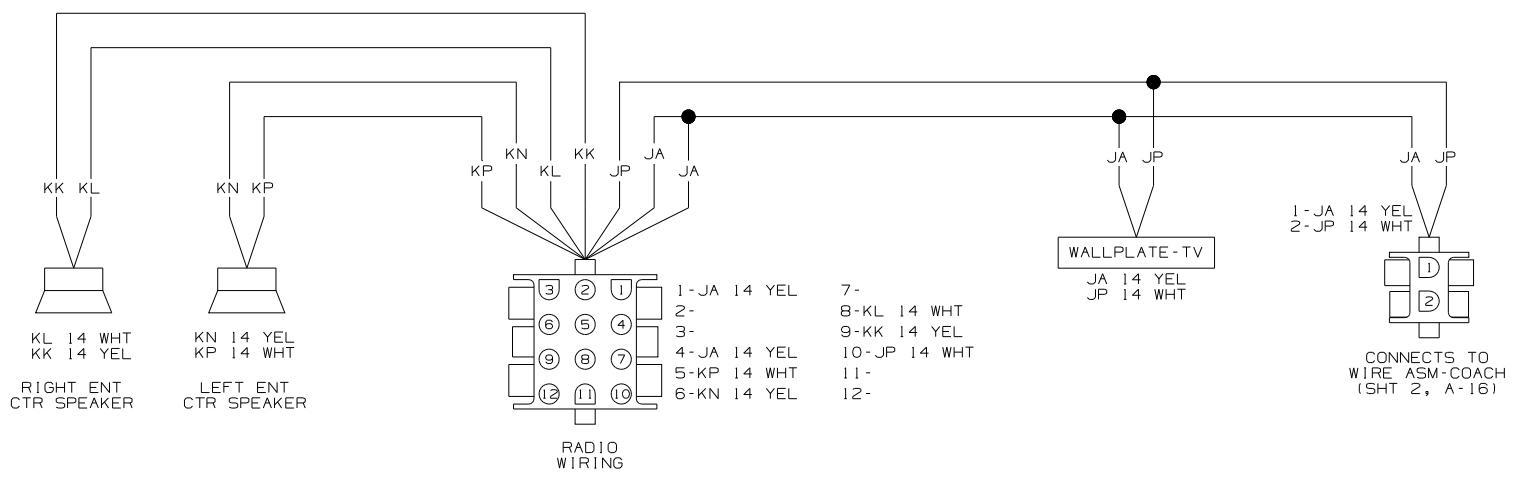
WIRING DIAGRAM-COMPT LAMP
(WIRE ASM 145940 REV-B)



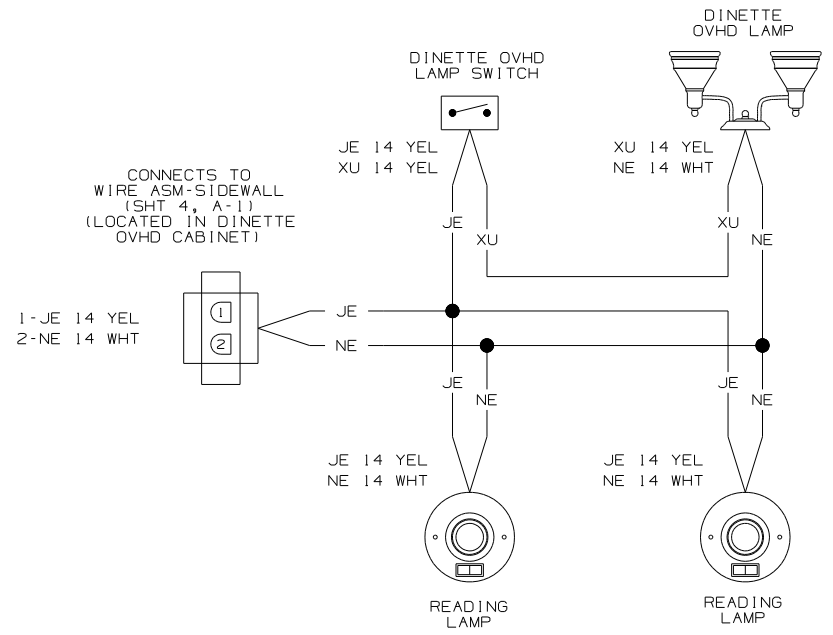
WIRING DIAGRAM-SIDEWALL
(WIRE ASM 148579 REV-A)

NOTES:
1. SPLICES ARE THEORETICAL AND MAY DIFFER IN THE HARNESS.

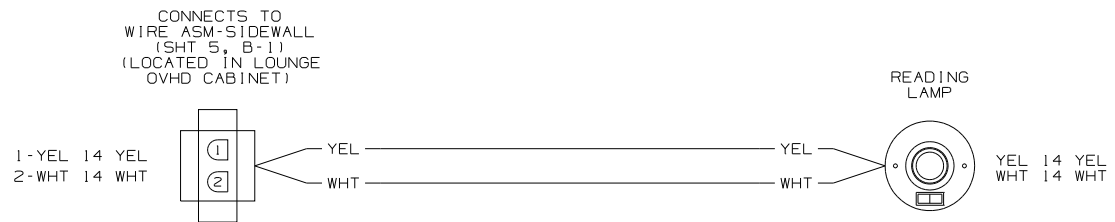
FIRST USED	05 D35N
TITLE	DO NOT SCALE DRAWING
	WIRING DIAGRAM-BODY, 12V
SHEET 4	PART NO 148423



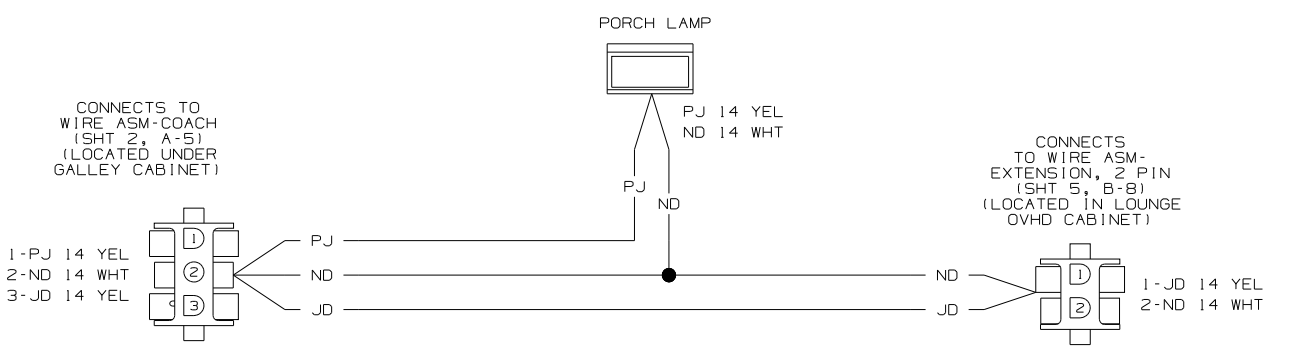
WIRING DIAGRAM-ENTERTAINMENT CENTER
(WIRE ASM 125853-04 REV-L)



WIRING DIAGRAM-OVHD
(WIRE ASM 148580 REV-A)



WIRING DIAGRAM-EXTENSION, 2 PIN
(WIRE ASM 133572-01 REV-E)



WIRING DIAGRAM-SIDEWALL
(WIRE ASM 45985 REV-A)

NOTES:
1. SPLICES ARE THEORETICAL AND MAY DIFFER IN THE HARNESS.

FIRST USED	05 D35N
TITLE	DO NOT SCALE DRAWING
	WIRING DIAGRAM-BODY, 12V
SHEET 5	PART NO 148423