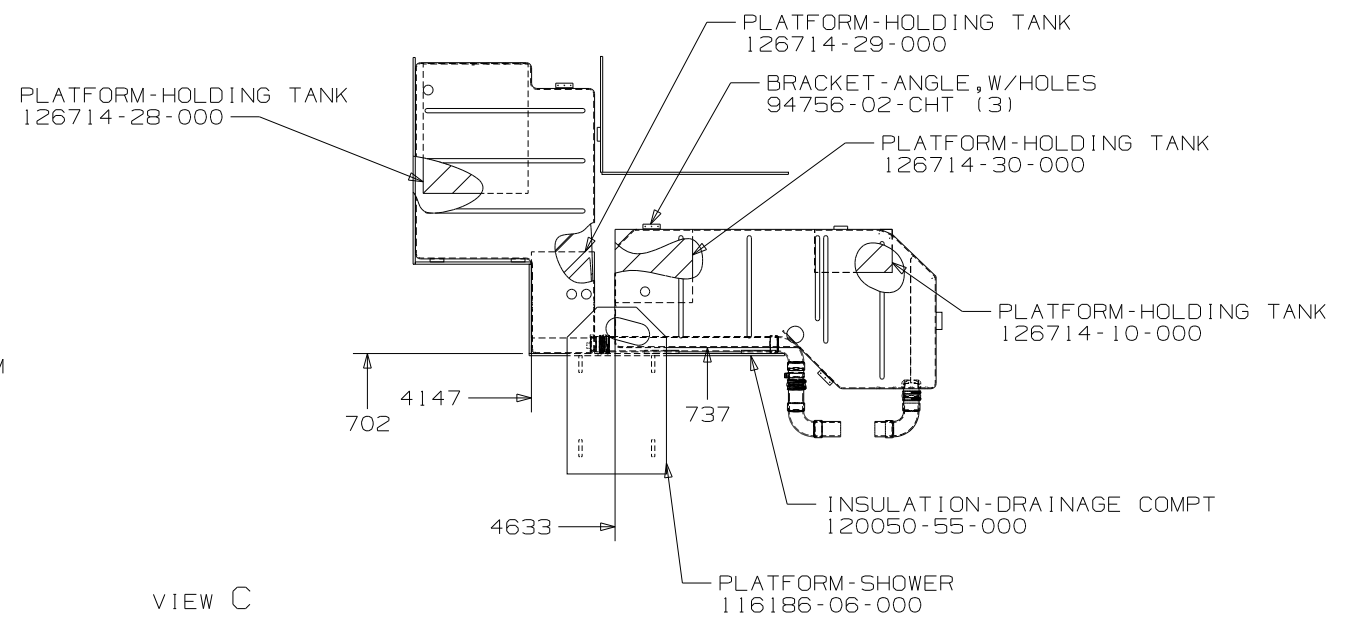
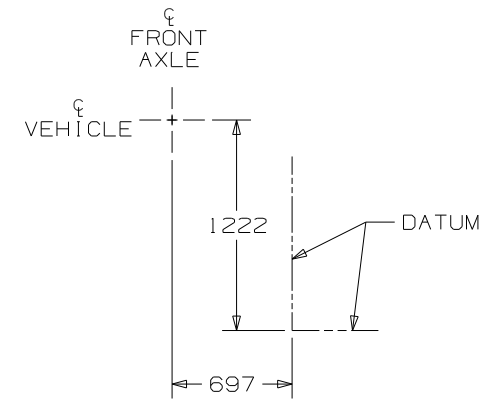


(B) CODES/STANDARDS - USA
 (265) CODES/STDA - CSA/CMVSS

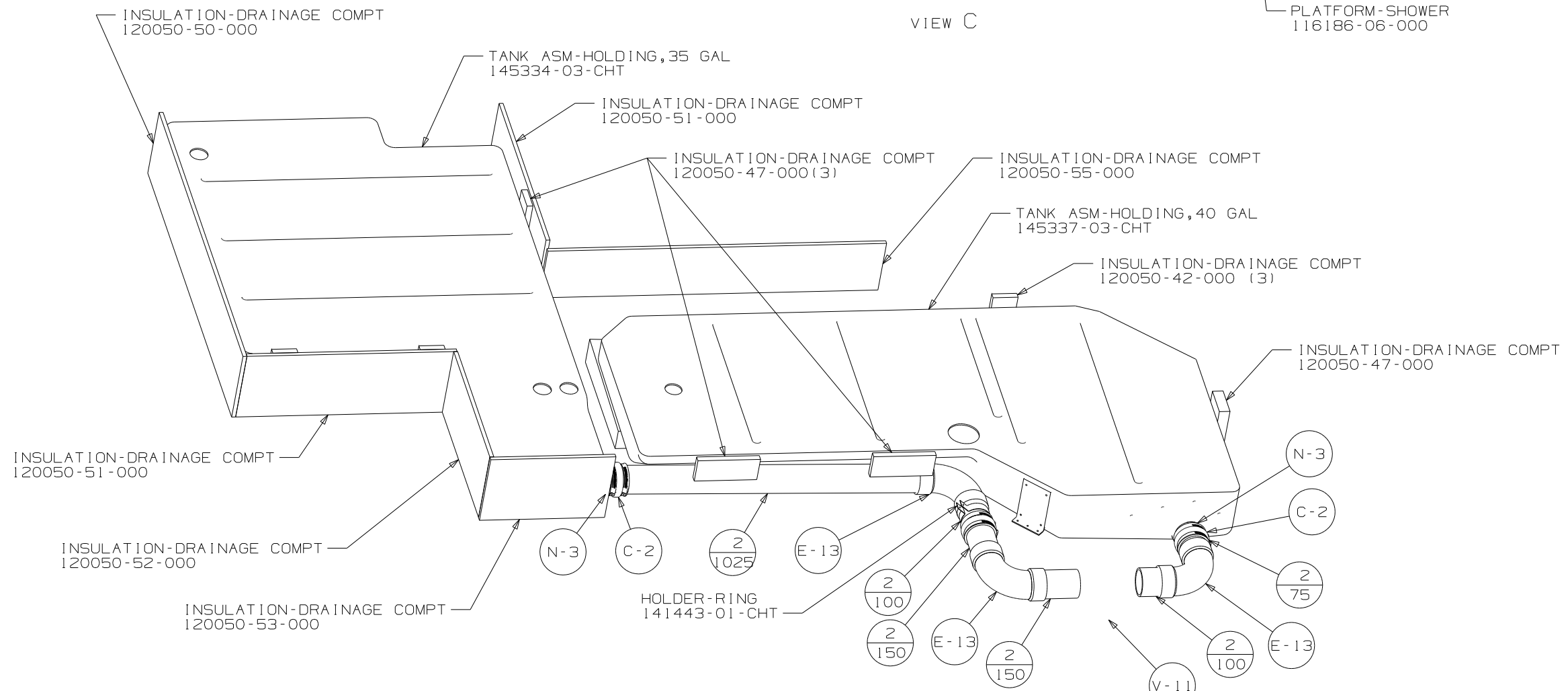
WINNEBAGO		COPYRIGHT 2004 WINNEBAGO INDUSTRIES, INC.	
DFTR	ORIG. DATE	ALL DIMENSIONS ARE IN MILLIMETERS	
CHKR		FIRST USED	
P.E.		05 D35N	
M.E.			
DSNR			
UNSPECIFIED TOLERANCES ARE:		MATERIAL:	
WHOLE DIM (X)	: 3		
ONE-PLACE (X.X)	:		
TWO-PLACE (X.XX)	:		
ANGLE	:		
THIRD ANGLE PROJECTION			
DO NOT SCALE DRAWING			
TITLE: DRAINAGE SYSTEM INSTL			
SHEET 1 OF 3	PART NO	148634	

- 6 VENT PIPE MUST PROJECT 51 MIN AND 64 MAX ABOVE ROOF FOR PROPER FIT AND FUNCTION.
- SEAL AROUND SHOWER WITH SILICONE.
 - SLOPE OF TRAP ARM MUST BE 6 PER 305 mm.
 - SLOPE OF HORIZONTAL PIPING TO BE MIN 6 PER 305 mm.
 - ALL EXTERIOR OPENINGS AROUND PIPE TO BE SEALED WITH 110744-01-000.
 - ALL PIPE AND FITTINGS TO BE ASSEMBLED WITH SOLVENT 4020-01-000 (US) 4020-02-000 (CAN).

(X-X)
 FOR
 DRAINAGE
 CALLOUTS
 SEE DWG NO
 116229-01-000

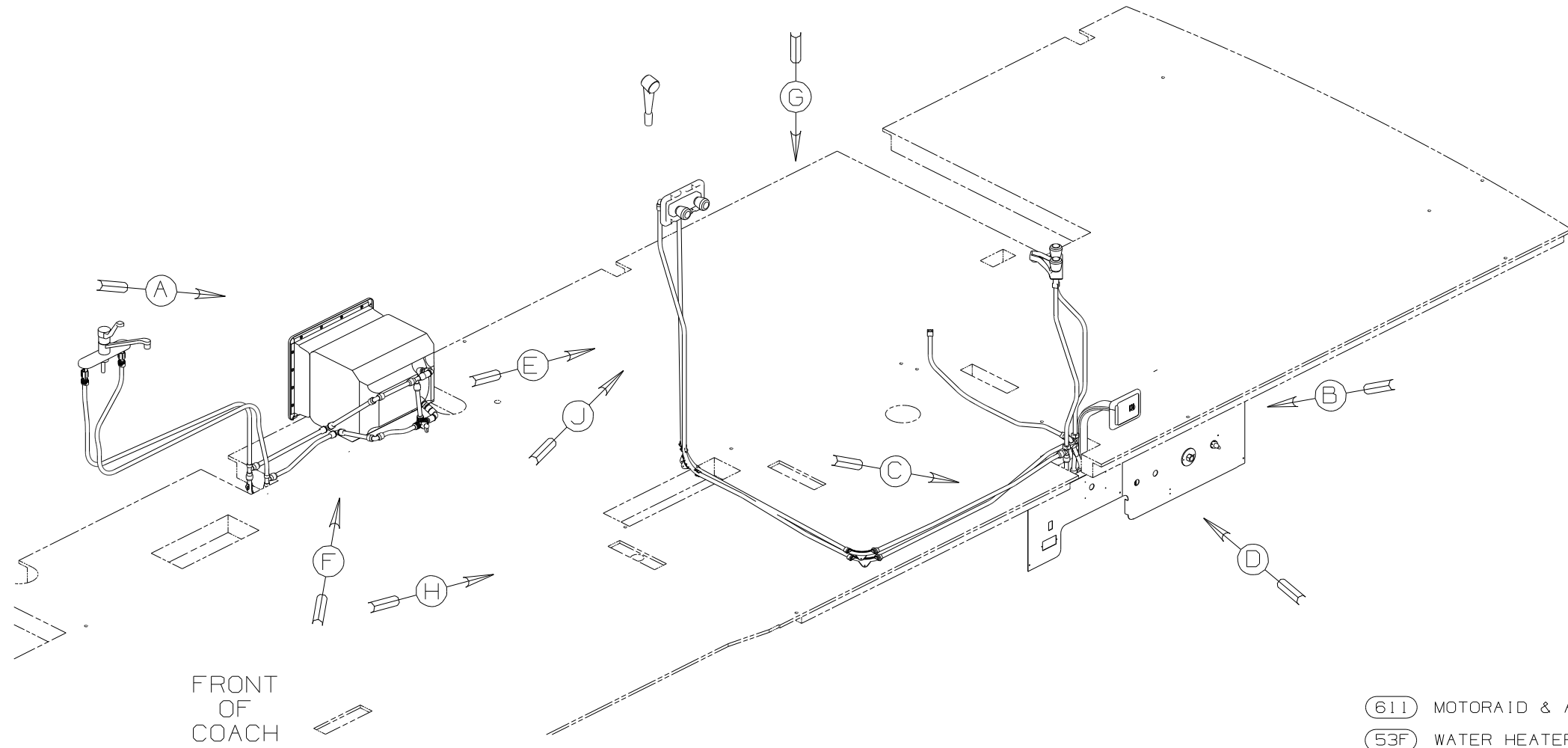


VIEW C



VIEW D

FIRST USED	05 D35N
TITLE	DO NOT SCALE DRAWING DRAINAGE SYSTEM INSTL
SHEET 3	PART NO 148634



FRONT
OF
COACH

- (611) MOTORAID & AUX. HEATER
- (53F) WATER HEATER-ELEC IGNITION
- (64R) EXTERIOR WASH STATION
- (1J4) EXT WASH STATION-WITHOUT

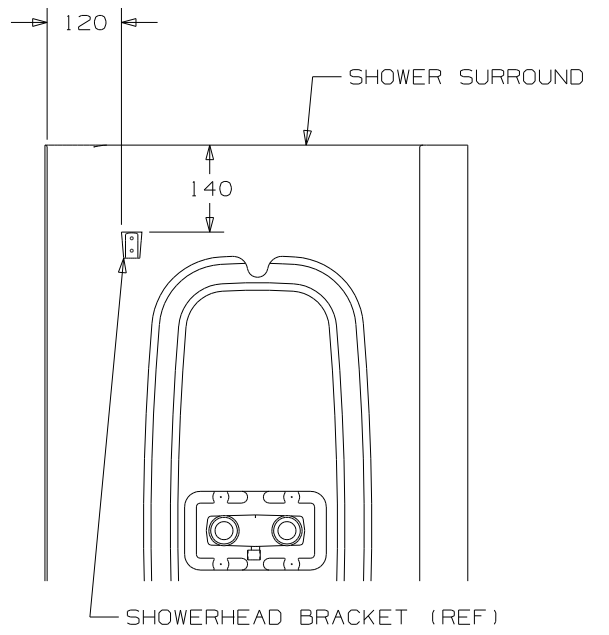
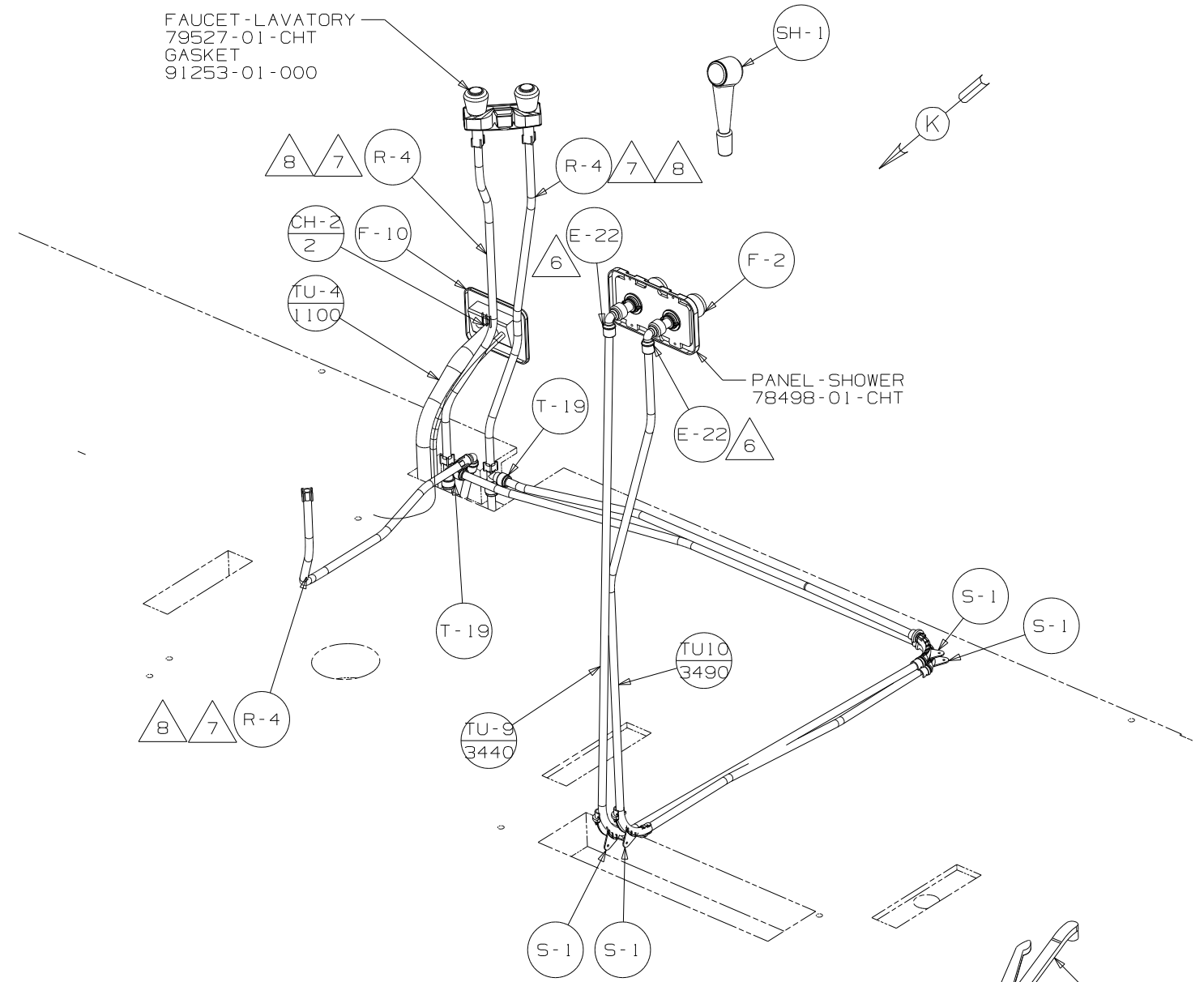
- NOTES:
- 10. ADD PIPE WRAP (LADDER SCRAP) INSULATION HERE.
 - 9. ADD TEFLON TAPE 10405-03-000.
 - 8. LABEL HOT AND COLD SUPPLY TUBES.
 - 7. TAPE FITTING TO TUBE BEFORE CABINET SET TO PREVENT FITTING FROM MOVING.
 - 6. ADD TEFLON TAPE 10405-01-000.
 - 5. ADD TEFLON TAPE 10405-02-000.
 - 4. FLUSHING SYSTEM REQUIRES 125697-06-000 INSTRUCTION SHEET.
3. ALL TUBING TO BE SECURED AT 1200 INTERVALS MAXIMUM WITH CLAMP 10495-01-000 OR CLIP 9151-01-000 AND SCREW G67-10-12B.
 2. TUBING TO BE INSTALLED WITH SUFFICIENT SLOPE TO PROVIDE DRAINAGE TO NEAREST VALVE.
 1. PLASTIC FITTINGS TO BE SEALED WITH SEALANT 84456-01-000.

WINNEBAGO		COPYRIGHT 2005 WINNEBAGO INDUSTRIES, INC.	
DFTR	ORIG. DATE	ALL DIMENSIONS ARE IN MILLIMETERS	
CHKR		FIRST USED	
P.E.		05 D35N	
M.E.		UNSPECIFIED TOLERANCES ARE:	
DSNR		MATERIAL:	
		WHOLE DIM (X)	: 3
		ONE-PLACE (X.X)	:
		TWO-PLACE (X.XX)	:
		ANGLE	:
THIRD ANGLE PROJECTION		DO NOT SCALE DRAWING	
TITLE: WATER SYSTEM INSTL			
SHEET 1 OF 4		PART NO 148585	

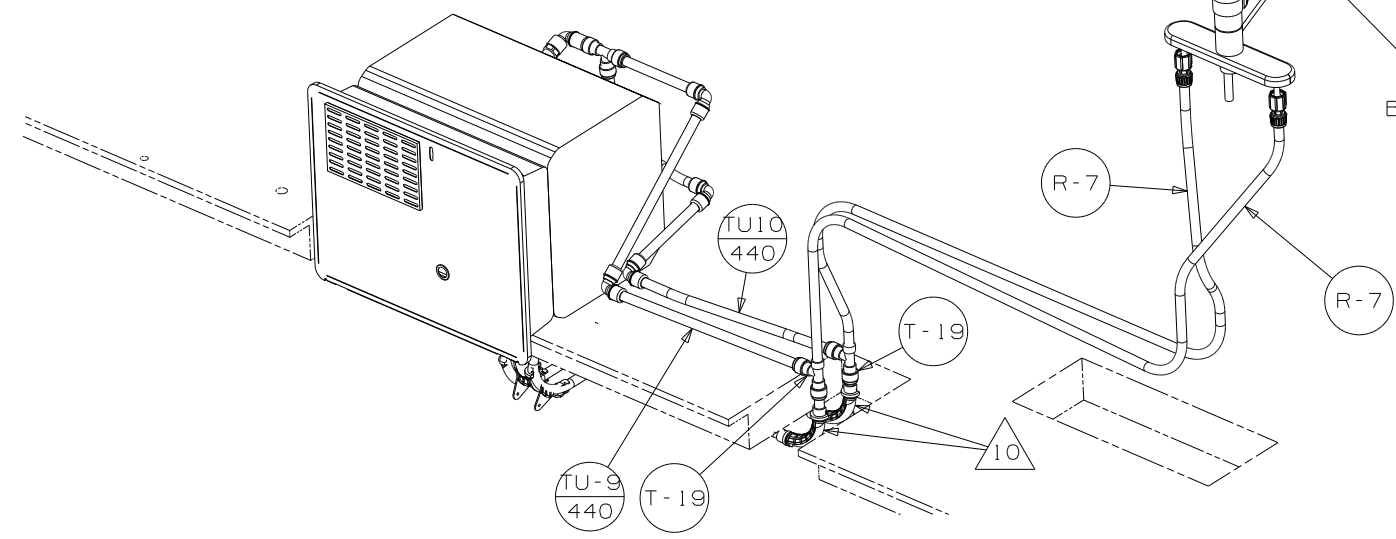
(X-X)
FOR
WATER
CALLOUTS
SEE DWG NO
116230-01-000

FAUCET-LAVATORY
79527-01-CHT
GASKET
91253-01-000

SH-1

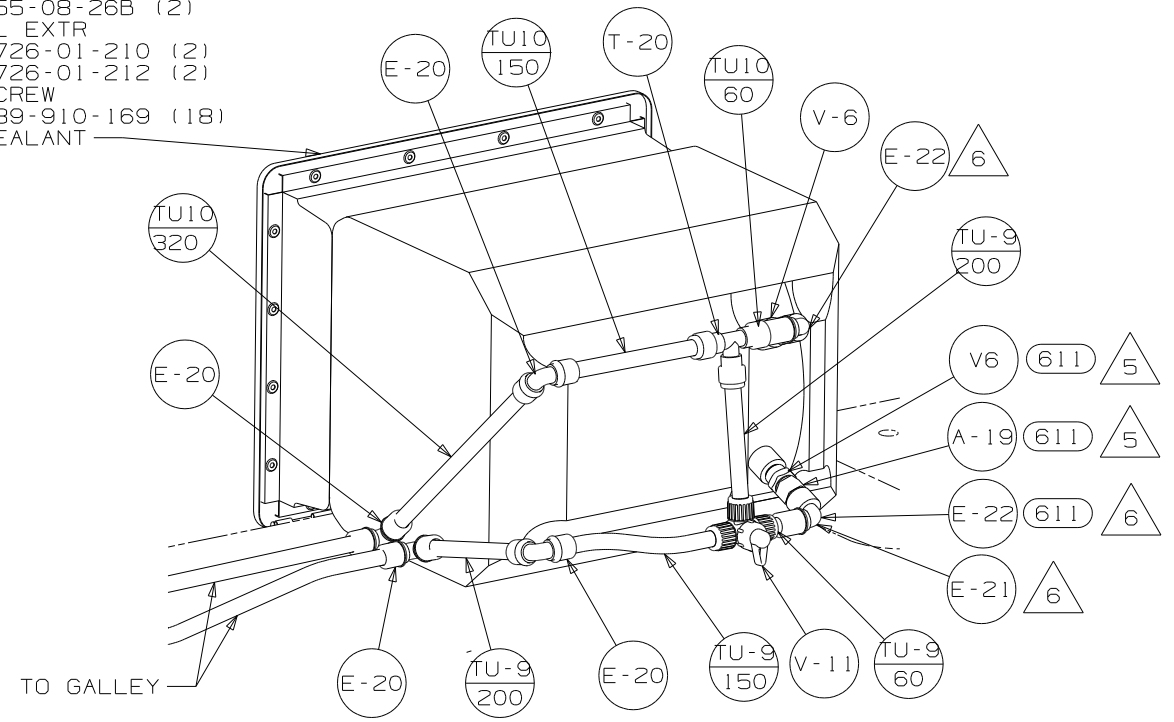


FAUCET
149164-01-CHT
BACKING-FAUCET
137079-02-CHT

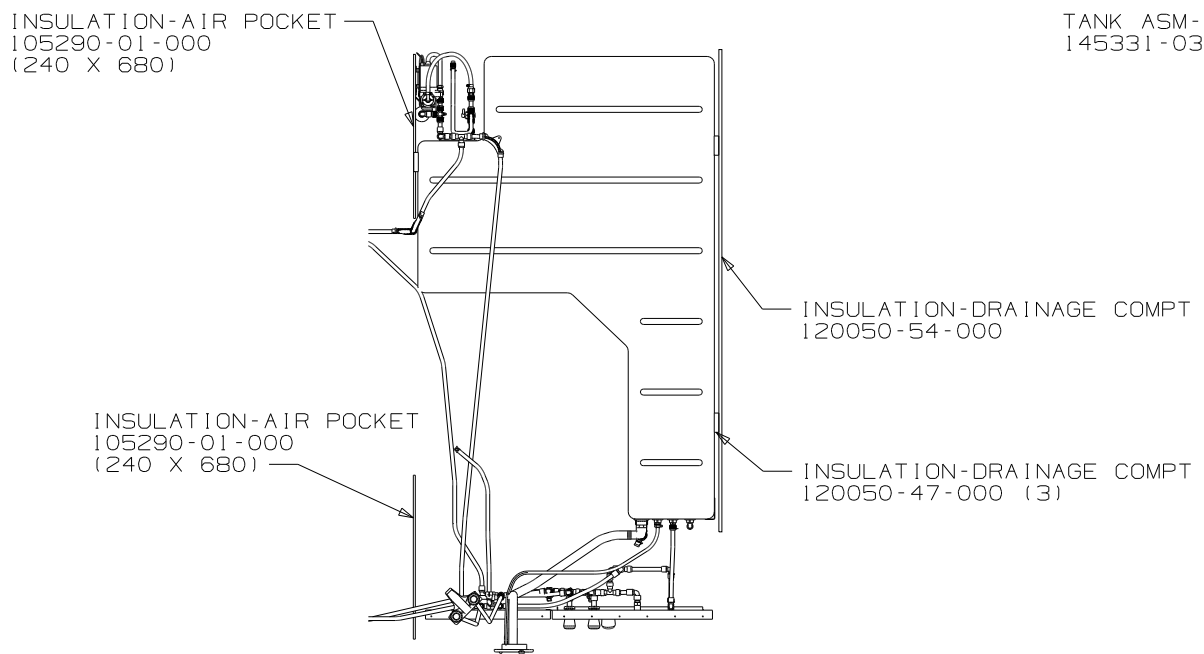


FIRST USED	05 D35N
TITLE	DO NOT SCALE DRAWING
SHEET 2	PART NO 148585

- (53F) WATER HEATER
- 51391-03-000
- (611) 51393-01-000
- DOOR
- 52009-06-000
- SCREW
- G39-10-10T (16)
- PANEL-PLATFORM
- 143657-01-000
- SCREW
- G55-08-26B (2)
- AL EXTR
- 2726-01-210 (2)
- 2726-01-212 (2)
- SCREW
- G39-910-169 (18)
- SEALANT

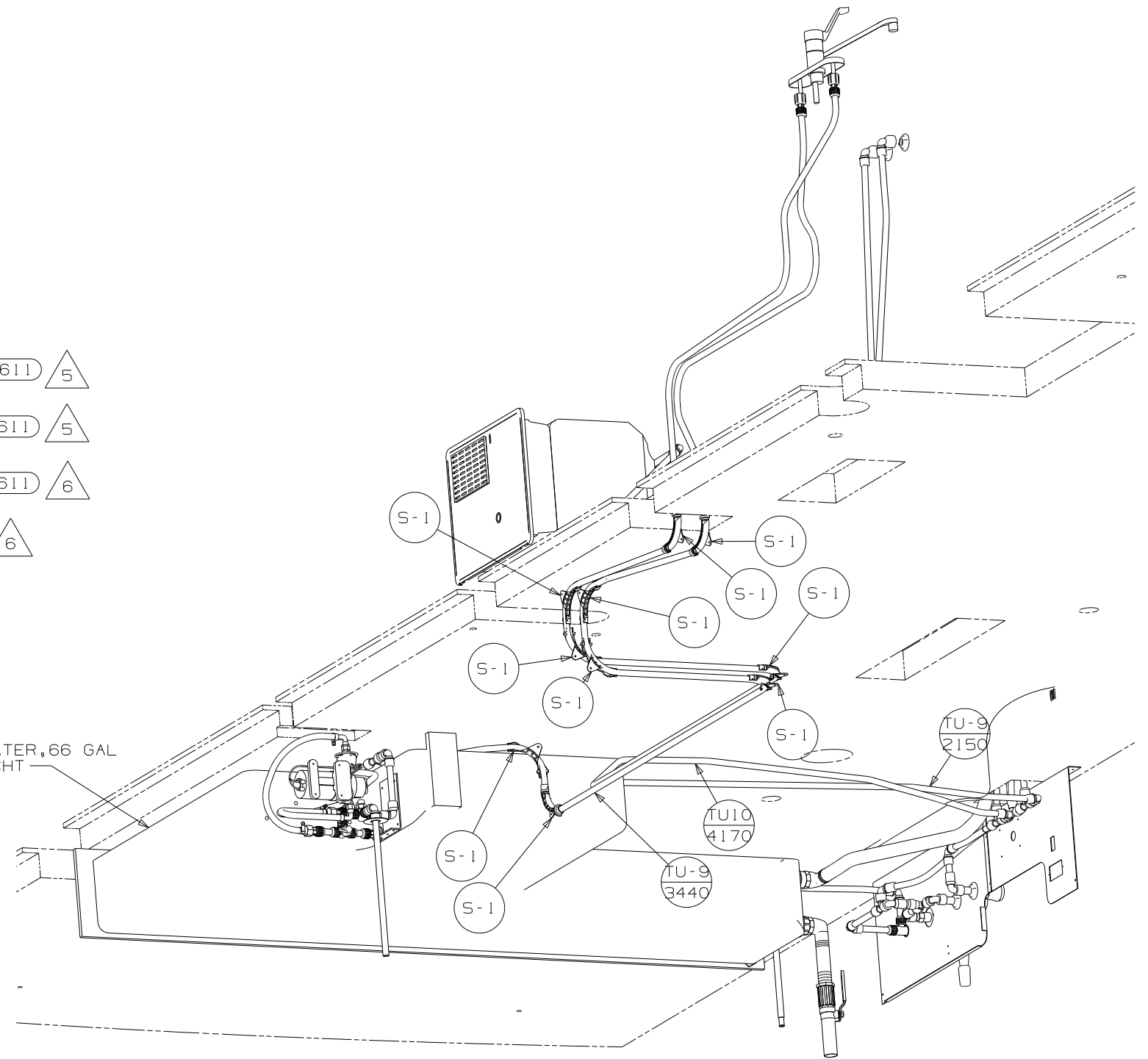


VIEW F



VIEW G

TANK ASM-WATER,66 GAL
145331-03-CHT



VIEW H

FIRST USED	05 D35N
TITLE	DO NOT SCALE DRAWING
TITLE	WATER SYSTEM INSTL
SHEET 4	PART NO 148585