



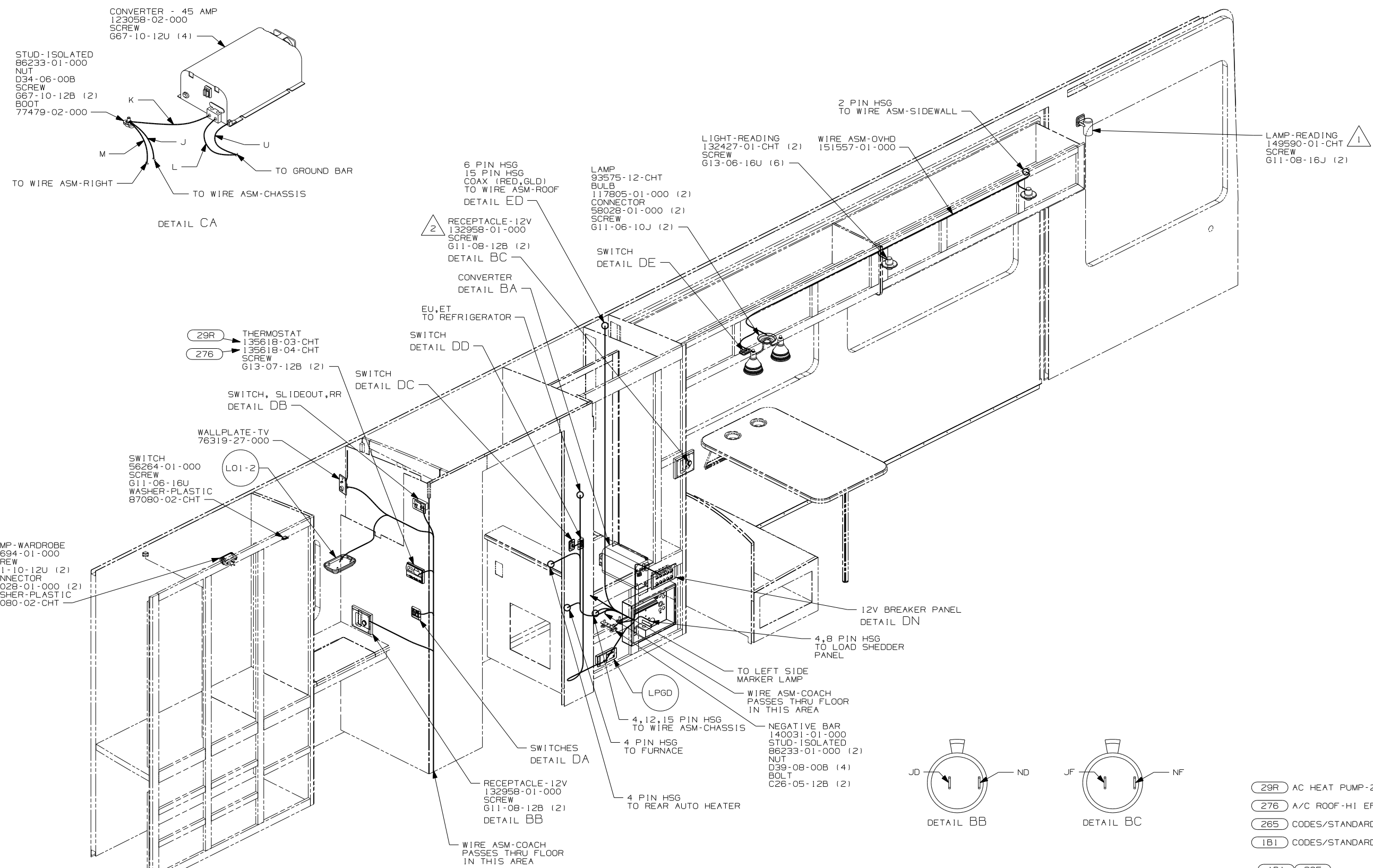
DANGER

Danger of electrical shock, burns or death. Always remove all power sources before attempting any repair, service or diagnostic work. Power can be present from shore power, generator, inverter or battery. All power sources must be disabled and secured before performing any service.



CAUTION

If you lack the skills, tools or equipment to perform diagnostic or repair work leave such work to an authorized Winnebago Industries dealer or other qualified shop.

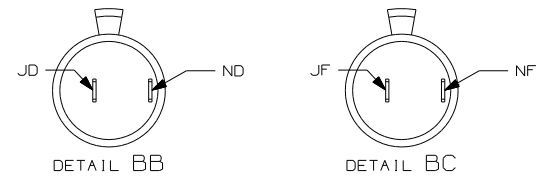


3. ALL WIRES TO BE SECURED WITH CLAMP 10495 OR 10497 OR WIRE TIE 8343 OR 108046 EVERY 600MM, USE SCREW G67-XX-XXX OR G56-XX-XXX AS APPROPRIATE FOR INSTALLATION.

- 2 WIRE ROUTED IN SIDEWALL.
- 1 SEE WIRING INSTL-FRONT END FOR WIRING INFORMATION.

NOTES:

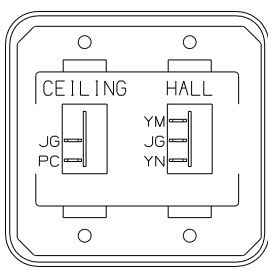
- 29R AC HEAT PUMP-2 HI EFFICIENCY
- 276 A/C ROOF-HI EFF (2) W/EMS
- 265 CODES/STANDARDS-CSA/CMVSS
- 1B1 CODES/STANDARDS USA



FOR ELECTRICAL TORQUE SPECIFICATIONS SEE DWG NO. 128783-01-000

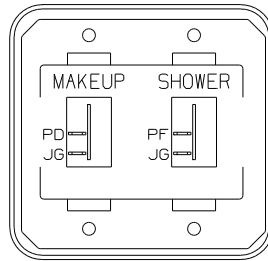
FOR ELECTRICAL CALLOUTS SEE DWG NO. 121339-01-000

FIRST USED	
05 D34A	
DO NOT SCALE DRAWING	
TITLE: WIRING INSTL-BODY, 12V	
SHEET 2	PART NO 150846



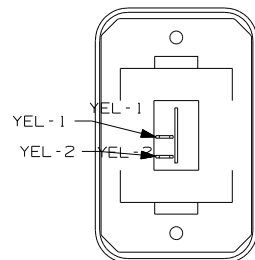
SWITCH-ROCKER
135740-01-CHT
SWITCH-BASE
135740-02-CHT
SWITCH-BESEL
135741-02-CHT
SCREW
135742-16-CHT
G11-08-08U (4)

DETAIL DA



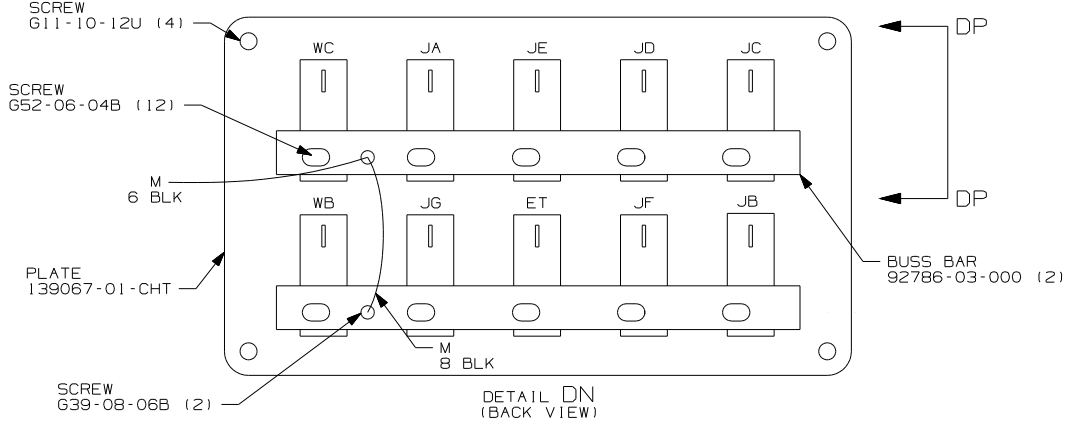
SWITCH-ROCKER
135740-01-CHT (2)
SWITCH-BASE
135741-02-CHT
SWITCH-BESEL
135742-20-CHT
SCREW
G11-08-08U (4)

DETAIL DF

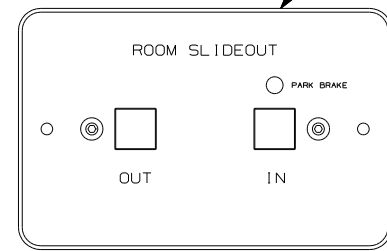


SWITCH-ROCKER
135740-01-CHT
SWITCH-BASE
135741-01-CHT
SWITCH-BESEL
135742-01-CHT
SCREW
G11-08-08U (2)

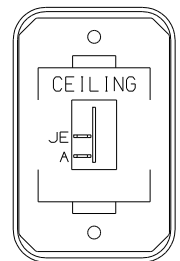
DETAIL DR



DETAIL DN
(BACK VIEW)

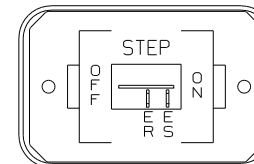


ROOM SLIDEOUT



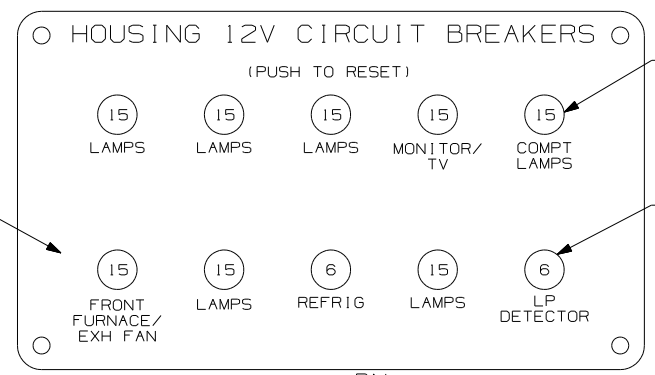
SWITCH-ROCKER
135740-01-CHT
SWITCH-BASE
135741-01-CHT
SWITCH-BESEL
135742-07-CHT
SCREW
G11-08-08U (2)

DETAIL DG



SWITCH-ROCKER
135740-01-CHT
SWITCH-BASE
135741-01-CHT
SWITCH-BESEL
135742-11-CHT
SCREW
G11-08-08U (2)

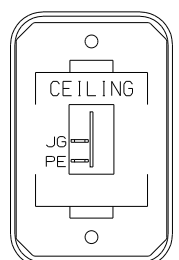
DETAIL DK



DETAIL DN
(FRONT VIEW)

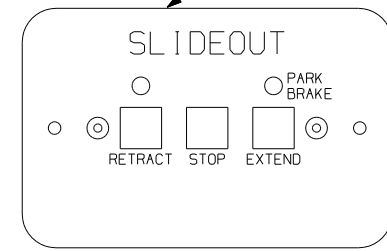
WARNING UNDERSTAND OPERATOR'S MANUAL BEFORE USING. KEEP PEOPLE AND OBSTRUCTIONS CLEAR OF SLIDEOUT ROOM WHEN OPERATING TO AVOID INJURY AND/OR PROPERTY DAMAGE.

DETAIL DB



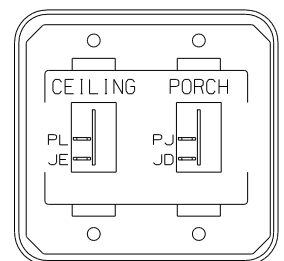
SWITCH-ROCKER
135740-01-CHT
SWITCH-BASE
135741-01-CHT
SWITCH-BESEL
135742-07-CHT
SCREW
G11-08-08U (2)

DETAIL DC



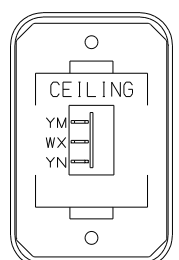
SLIDEOUT

SWITCH-ASM-SLIDEOUT
138173-04-000
6 PIN HSG
CIRCUITS NNS, HHF, NNN,
NNP, HHE, NNR



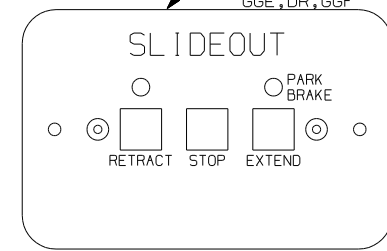
SWITCH-ROCKER
135740-01-CHT (2)
SWITCH-BASE
135741-02-CHT
SWITCH-BESEL
135742-19-CHT
SCREW
G11-08-08U (4)

DETAIL DL



SWITCH-ROCKER
135740-01-CHT
SWITCH-BASE
135741-02-CHT
SWITCH-BESEL
135742-07-CHT
SCREW
G11-08-08U (2)

DETAIL DD

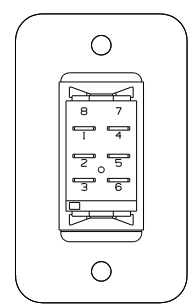


SLIDEOUT

WARNING UNDERSTAND OPERATOR'S MANUAL BEFORE USING. KEEP PEOPLE AND OBSTRUCTIONS CLEAR OF SLIDEOUT ROOM WHEN OPERATING TO AVOID INJURY AND/OR PROPERTY DAMAGE.

DETAIL DH

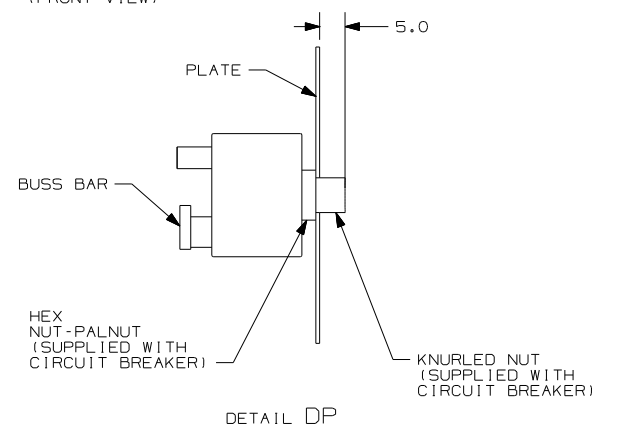
LABEL-WARNING
116549-01-000



(REAR)

SWITCH-BATTERY DISCONNECT
108357-06-000
ACTUATOR
108356-11-CHT
PLATE
98351-07-CHT
SCREW
G11-06-16U (2)
CIRCUITS
KF, LH, LJ, LG,
(FROM WIRE ASM-CHASSIS)

DETAIL DM



DETAIL DP

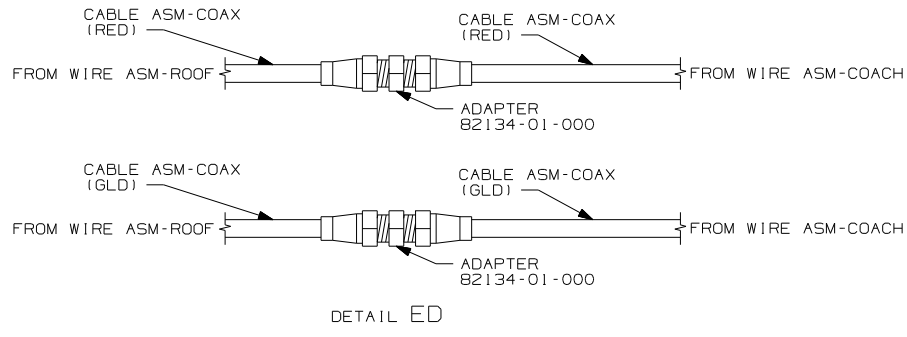
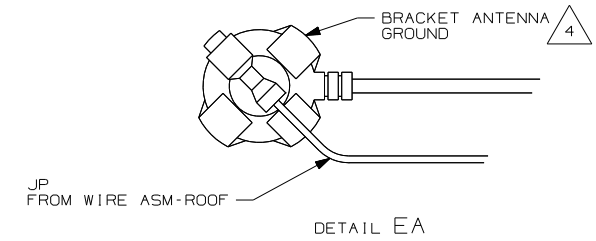
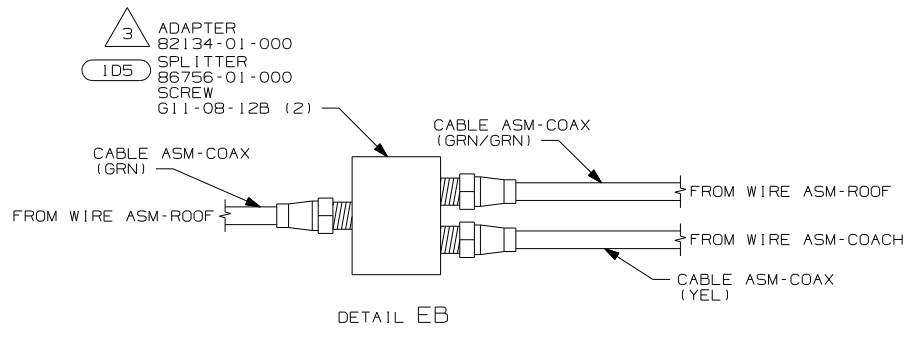
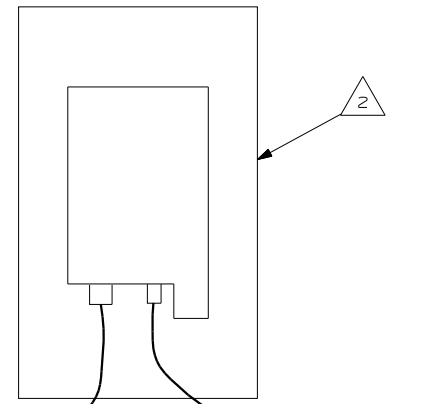
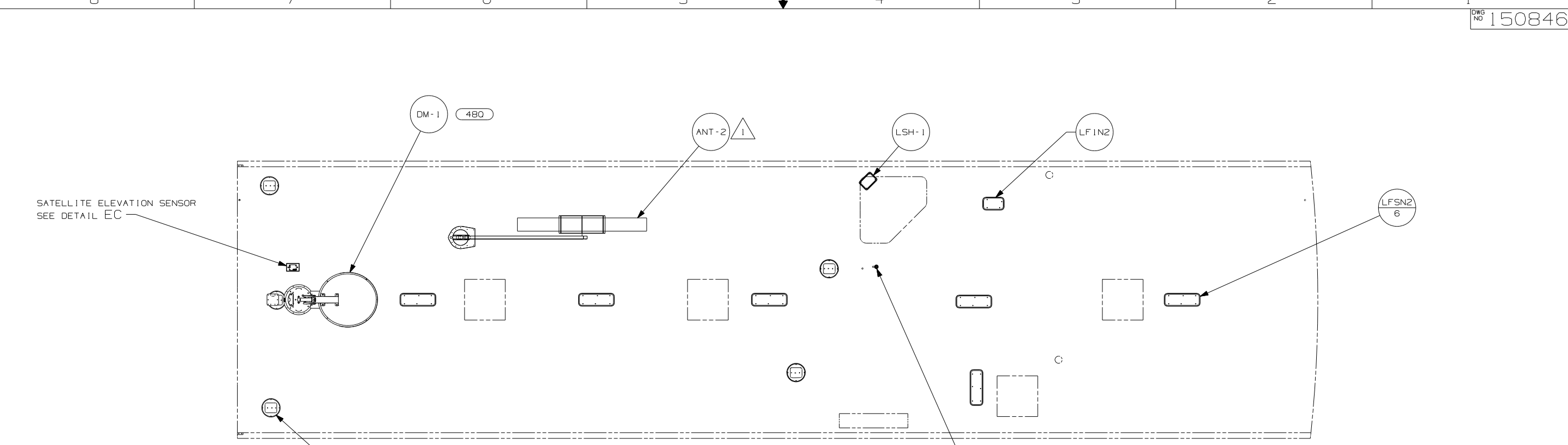
NOTES:
1 SWITCH IS TO BE MOUNTED WITH HOUSING ALIGNMENT POST TO BOTTOM OF CUTOUT.

FOR ELECTRICAL TORQUE SPECIFICATIONS SEE DWG NO. 128783-01-000

FOR ELECTRICAL CALLOUTS SEE DWG NO. 121339-01-000

265 CODES/STANDARDS-CSA/CMVSS
1B1 CODES/STANDARDS USA
1B1 265

FIRST USED	05 D34A
TITLE	DO NOT SCALE DRAWING
	WIRING INSTL-BODY, 12V
SHEET 4	PART NO 150846



- NOTES:
- 4 WRAP LEGS AROUND ANTENNA BASE.
 - 3 WITHOUT 1D5 USE ADAPTER AND CONNECT GRN COAX TO GRN/GRN COAX.
 - 2 SENSOR SUPPLIED WITH SATELLITE ASSEMBLY.
 - 1 SEE DWG 76319-01-000 FOR INSTALLATION INSTRUCTIONS.

- 480 SATELLITE DISH & ELEVATION SENSOR
- 1D5 ENTERTAINMENT CENTR/EXT W/CD
- 265 CODES/STANDARDS-CSA/CMVSS
- 1JM HOME THEATER SOUND SYSTEM
- 1B1 CODES/STANDARDS USA

FOR ELECTRICAL TORQUE SPECIFICATIONS SEE DWG NO. 128783-01-000

FOR ELECTRICAL CALLOUTS SEE DWG NO. 121339-01-000

FIRST USED	05 D34A
DO NOT SCALE DRAWING	
TITLE	WIRING INSTL-BODY, 12V
SHEET 5	PART NO 150846