



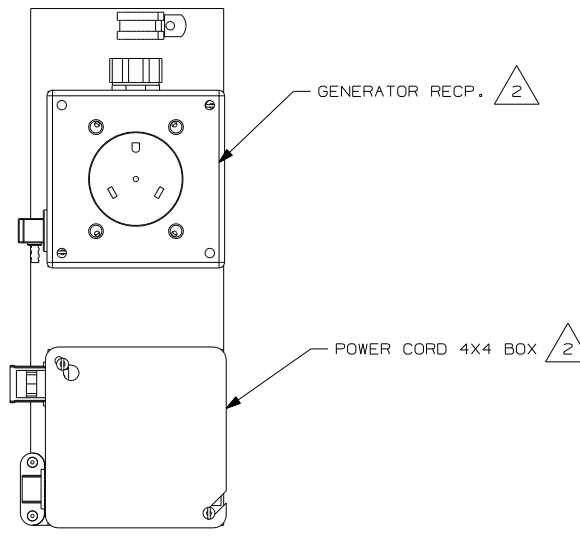
DANGER

Danger of electrical shock, burns or death. Always remove all power sources before attempting any repair, service or diagnostic work. Power can be present from shore power, generator, inverter or battery. All power sources must be disabled and secured before performing any service.

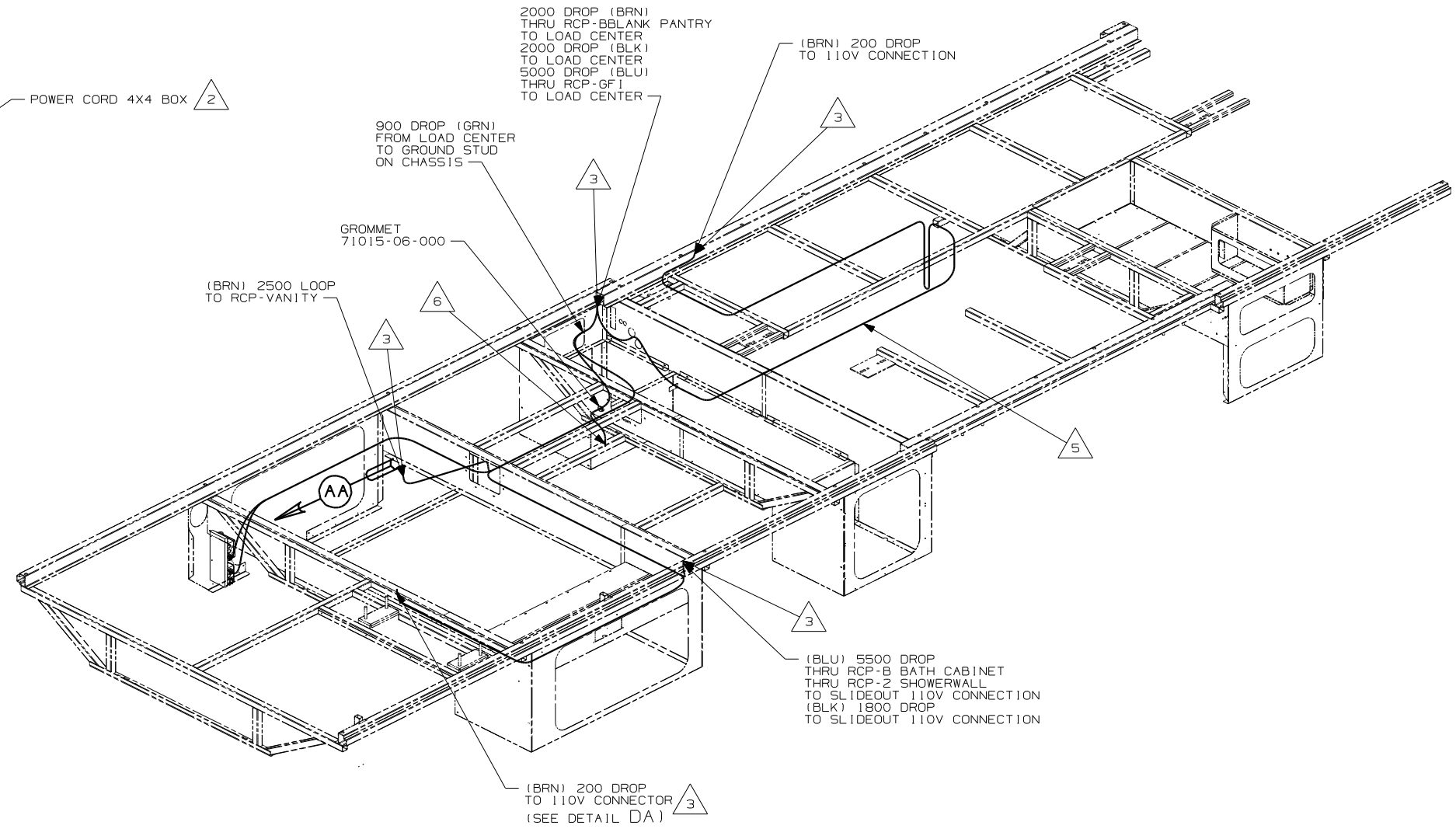


CAUTION

If you lack the skills, tools or equipment to perform diagnostic or repair work leave such work to an authorized Winnebago Industries dealer or other qualified shop.



VIEW AA



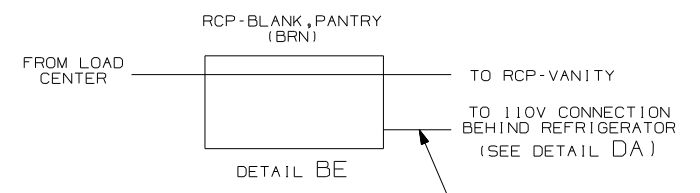
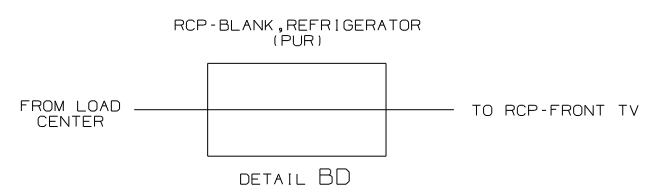
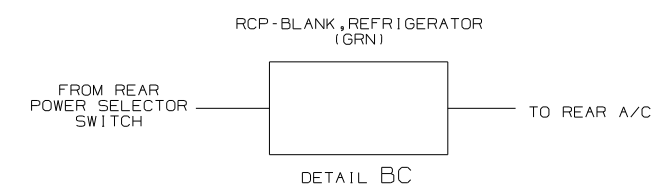
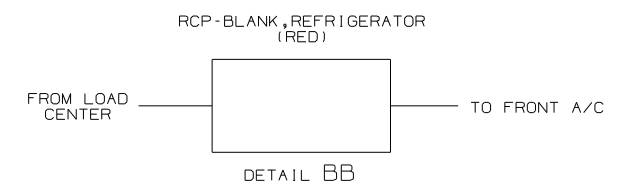
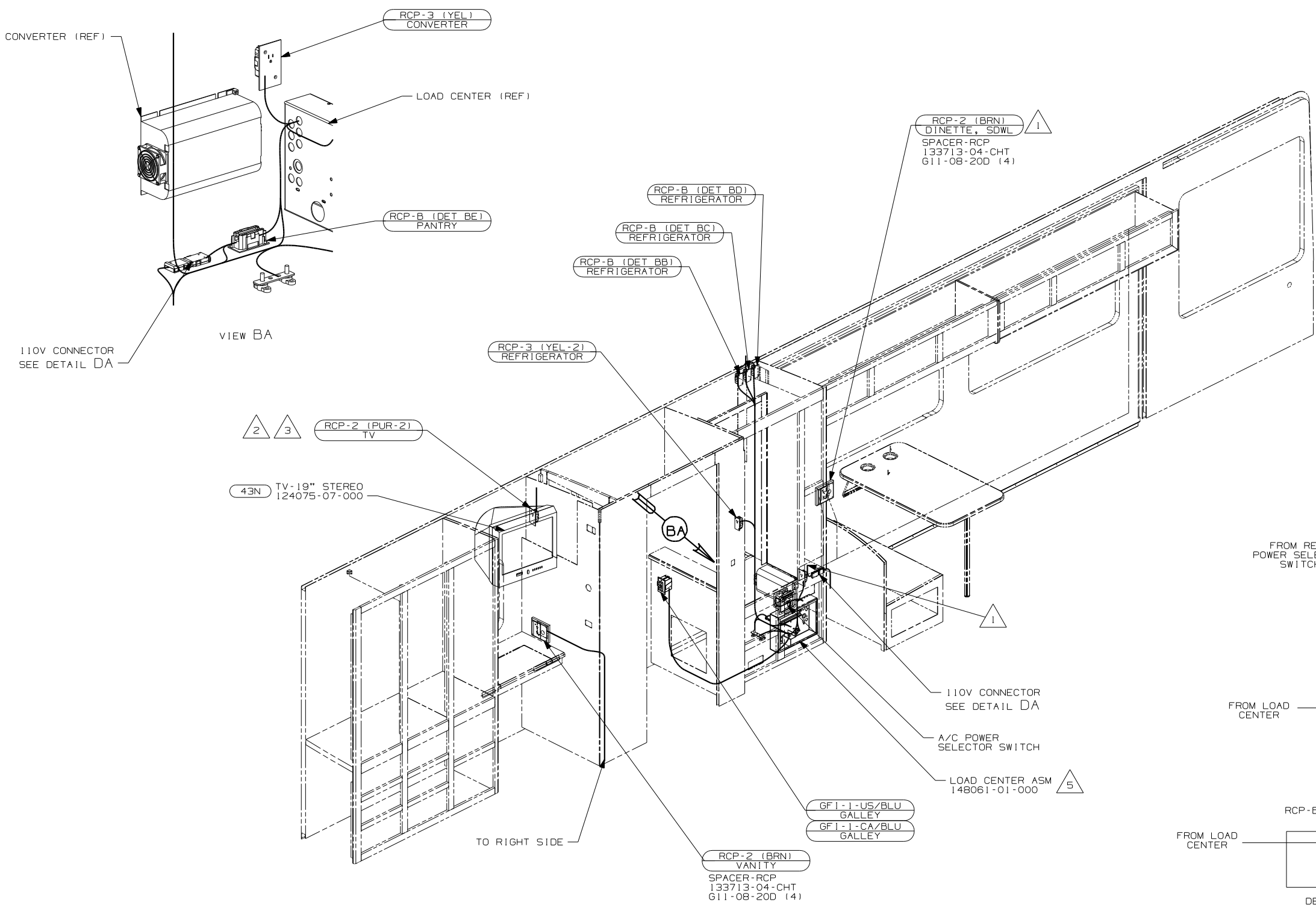
- △ 6 CONNECT LOAD CENTER GROUND CABLE (GRN 8GA) TO GROUND BOLT ON CHASSIS FRAME RAIL IN THIS AREA.
- △ 5 SLIDEOUT WIRE IS PART OF WIRE ASM-CHASSIS.
- 4. ALL WIRES TO BE SECURED WITH CLAMP 10495 OR 10497 OR WIRE TIE 8343 OR 108046 EVERY 600MM, USE SCREW G67-XX-XXX OR G56-XX-XXX AS APPROPRIATE FOR INSTALLATION.
- △ 3 WIRE ROUTES THRU FLOOR IN THIS AREA.
- △ 2 SEE LOAD CENTER/ATS FOR ADDITIONAL INFORMATION.
- 1. WIRES ROUTED UNDER FLOOR.

NOTES:

FOR ELECTRICAL TORQUE SPECIFICATIONS SEE DWG NO. 128783-01-000

FOR ELECTRICAL CALLOUTS SEE DWG NO. 121339-01-000

WINNEBAGO		COPYRIGHT 2004 WINNEBAGO INDUSTRIES, INC.	
DFTR	ORIG. DATE	ALL DIMENSIONS ARE IN MILLIMETERS	
CHKR		05 D34A	
P.E.		FIRST USED	
M.E.		1"	
DSNR		THIRD ANGLE PROJECTION	
UNSPECIFIED TOLERANCES ARE:		MATERIAL:	
WHOLE DIM (X)	: 1	.	
ONE-PLACE (X.X)	: 1.5	.	
TWO-PLACE (X.XX)	: 0.50	.	
ANGLE	: 1"	.	
DO NOT SCALE DRAWING			
TITLE: WIRING INSTL-BODY, 110V			
SHEET 1 OF 5	PART NO	150845	
REF:		1 12/10/2004	



43N TV (RR)-19", VIDEO SELECTION

- 4. ALL WIRES TO BE SECURED WITH CLAMP 10495 OR 10497 OR WIRE TIE 8343 OR 108046 EVERY 600MM, USE SCREW G67-XX-XXX OR G56-XX-XXX AS APPROPRIATE FOR INSTALLATION.
- 3 RCP-2 MOVES TO CABINET ASM-WARDROBE WITH FEATURE 43N.
- 2 WIRE ROUTED IN ROOF.
- 1 WIRE ROUTED IN SIDEWALL.

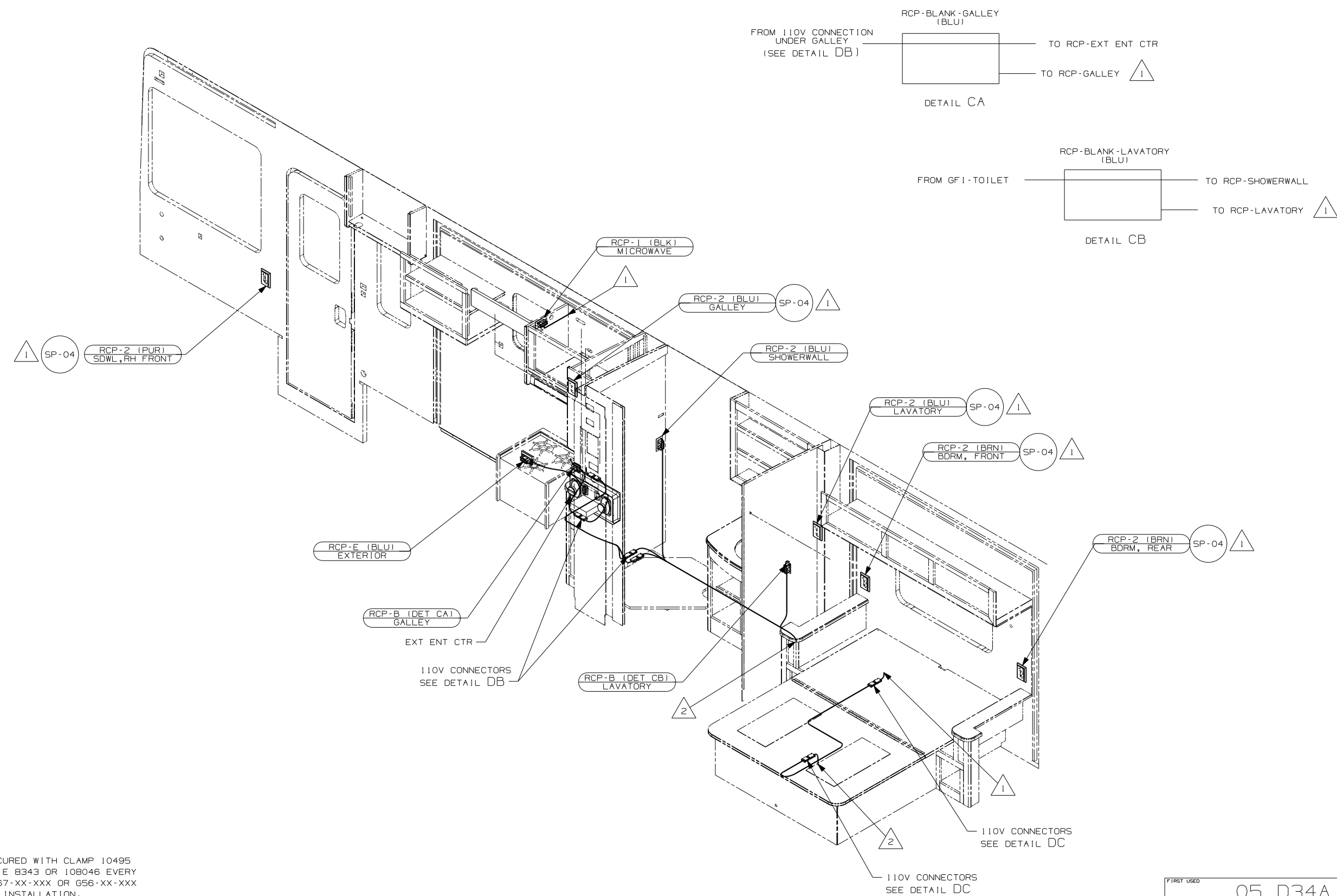
NOTES:

5 LOAD CENTER GROUND MUST BE ATTACHED DIRECTLY TO CHASSIS GROUND

FOR ELECTRICAL TORQUE SPECIFICATIONS SEE DWG NO. 128783-01-000

FOR ELECTRICAL CALLOUTS SEE DWG NO. 121339-01-000

FIRST USED	05 D34A
TITLE	DO NOT SCALE DRAWING
	WIRING INSTL-BODY, 110V
SHEET 2	PART NO 150845



3. ALL WIRES TO BE SECURED WITH CLAMP 10495 OR 10497 OR WIRE TIE 8343 OR 108046 EVERY 600MM, USE SCREW G67-XX-XXX OR G56-XX-XXX AS APPROPRIATE FOR INSTALLATION.

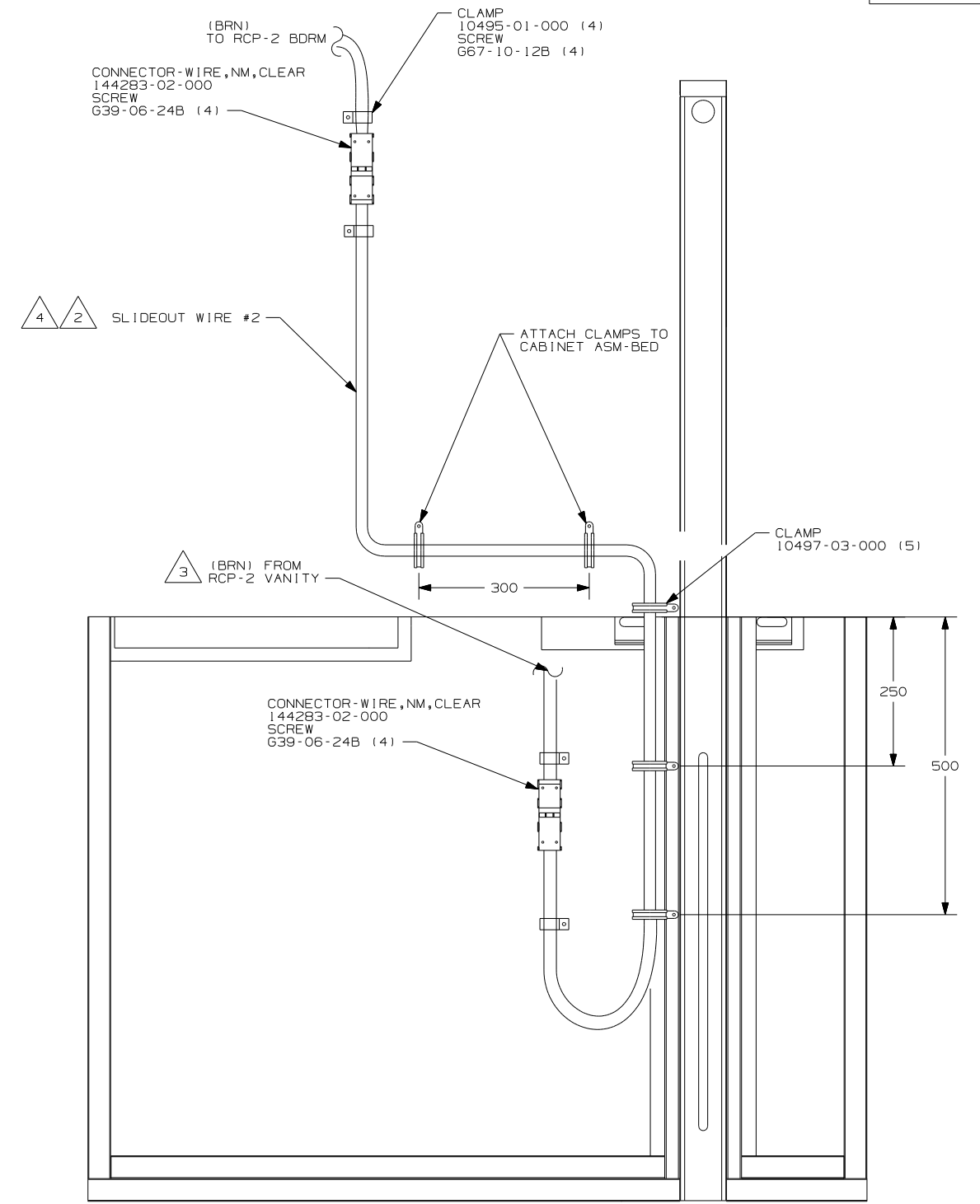
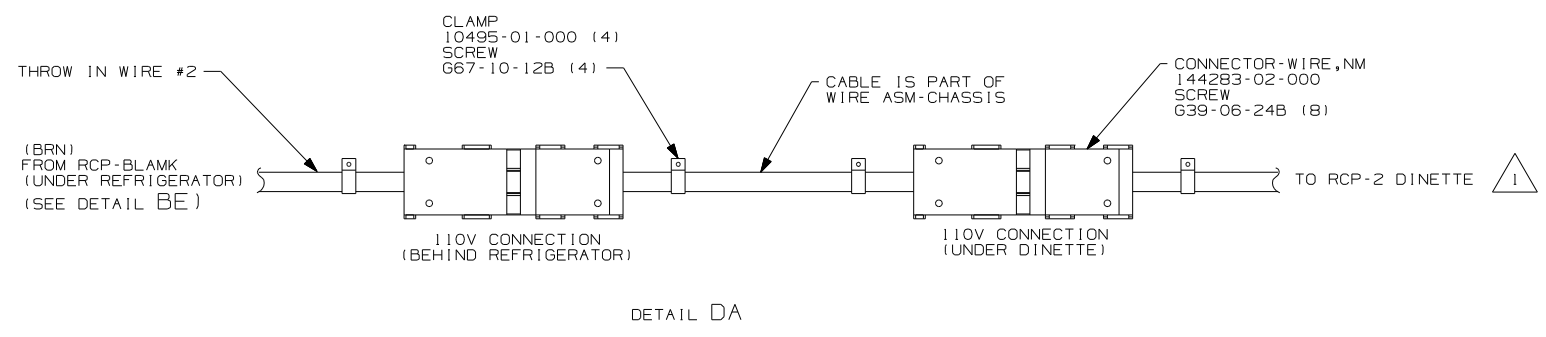
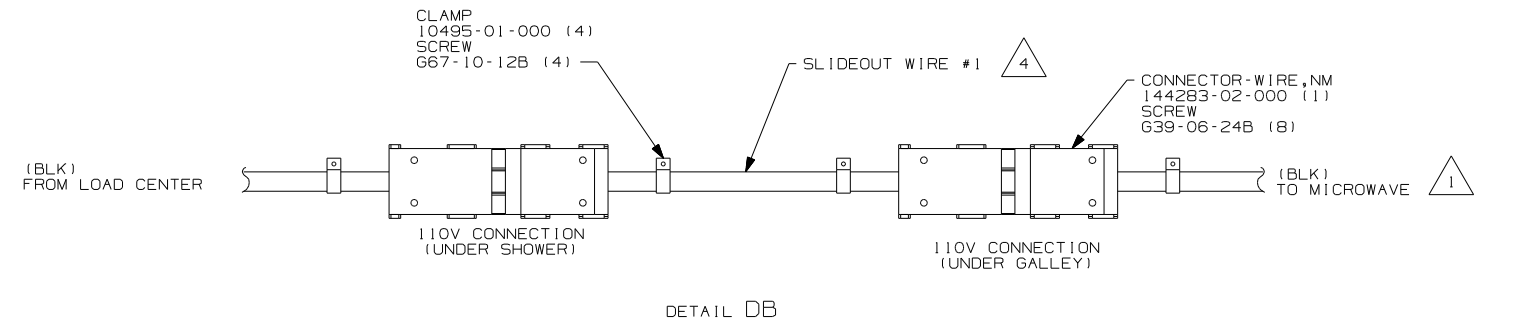
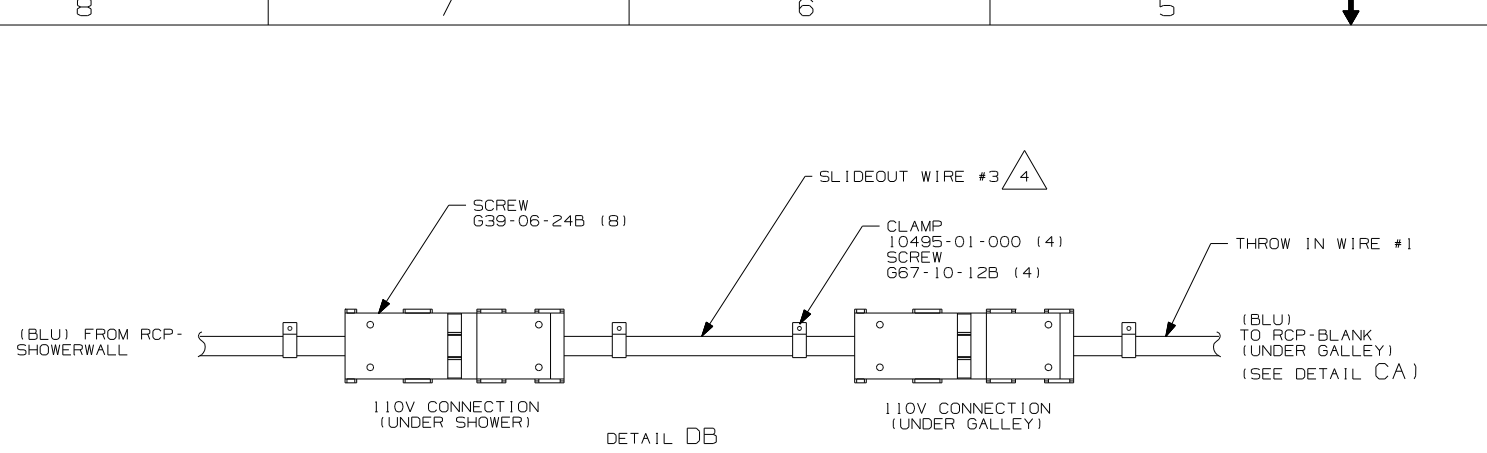
- 2 WIRE ROUTED THRU FLOOR IN THIS AREA.
- 1 WIRE IN SIDEWALL.

NOTES:

FOR ELECTRICAL TORQUE SPECIFICATIONS SEE DWG NO. 128783-01-000

X-X FOR ELECTRICAL CALLOUTS SEE DWG NO. 121339-01-000

FIRST USED	05 D34A
DO NOT SCALE DRAWING	
TITLE	WIRING INSTL-BODY, 110V
SHEET 3	PART NO 150845



- NOTES:
- (5) MAKE LOOP AS SMALL AS POSSIBLE WHEN SLIDEOUT IS COMPLETELY RETRACTED.
 - (4) SEE LOAD CENTER/ATS ASM FOR ADDITIONAL INFORMATION.
 - (3) WIRE IS ROUTED THROUGH FLOOR.
 - (2) RUN 12V LOOM THROUGH CLAMPS WITH SLIDEOUT WIRE #2.
 - (1) WIRE ROUTED IN SIDEWALL.

FOR ELECTRICAL TORQUE SPECIFICATIONS SEE DWG NO. 128783-01-000

(X-X) FOR ELECTRICAL CALLOUTS SEE DWG NO. 121339-01-000

FIRST USED	05 D34A
DO NOT SCALE DRAWING	
TITLE	WIRING INSTL-BODY, 110V
SHEET 4	PART NO 150845