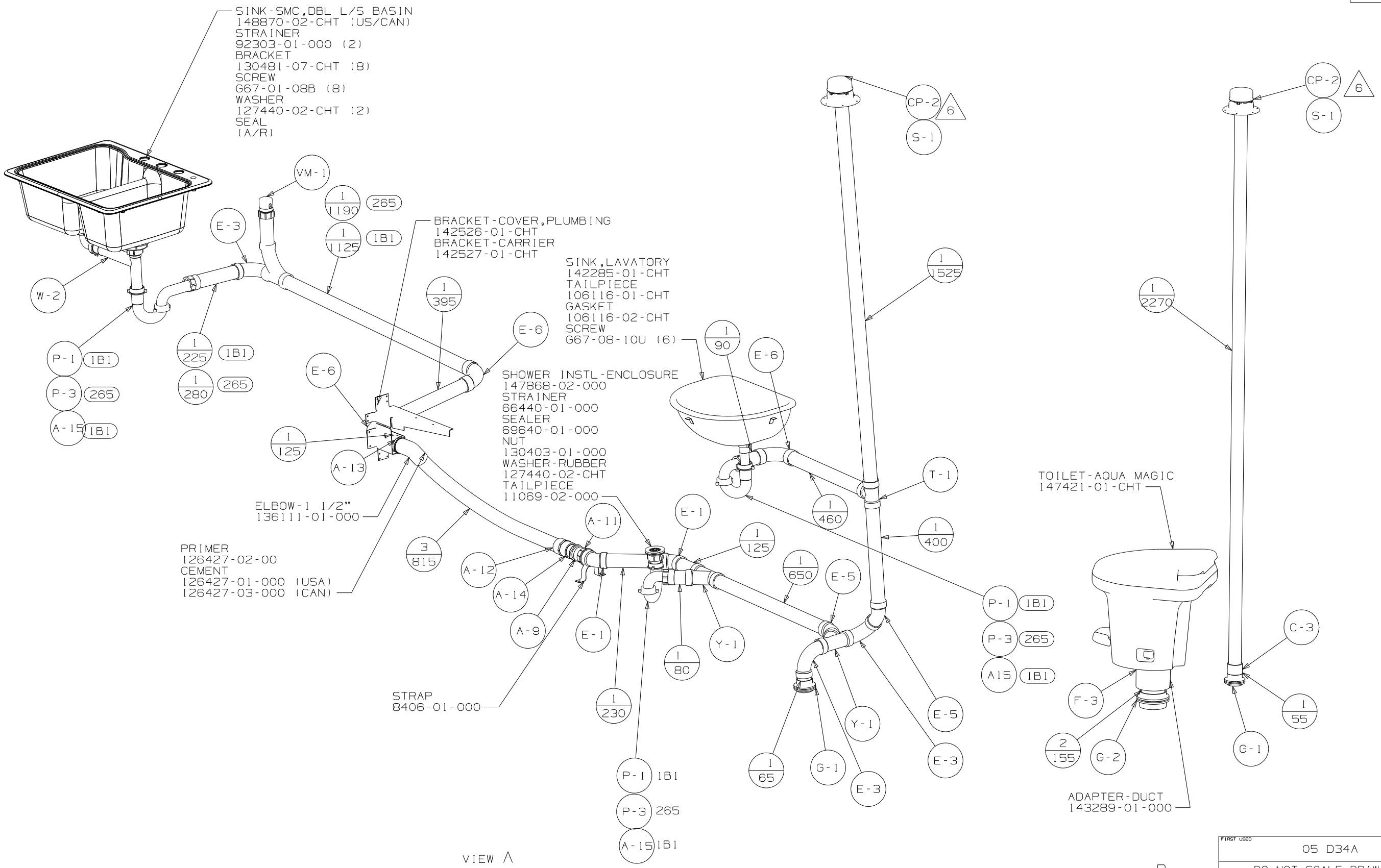


- NOTES:
- 1. SLOPE OF HORIZONTAL PIPING TO BE MIN 3 PER 305 mm.
 - 2. SLOPE OF TRAP ARM MUST BE 6 PER 305 mm.
 - 3. ALL PIPE AND FITTINGS TO BE ASSEMBLED WITH SOLVENT 4020-01-000 (USA) 4020-02-000 (CAN).
 - 4. ALL EXTERIOR OPENINGS AROUND PIPE TO BE SEALED WITH 131264-03-000.
 - 5. SEAL AROUND SHOWER WITH SILICONE.
 - 6. VENT PIPE MUST PROJECT 51 MIN AND 64 MAX ABOVE ROOF FOR PROPER FIT AND FUNCTION.
 - 7. VALVE TERMINATION TEE TO BE POSITIONED AT 10° DOWN AND OUTBOARD.

(B1) CODES/STANDARDS-USA
 (265) CODES/STDS-CSA/CMVSS

WINNEBAGO		COPYRIGHT 2005 WINNEBAGO INDUSTRIES, INC.	
DFTR	ORIG. DATE	ALL DIMENSIONS ARE IN MILLIMETERS	
CHKR		FIRST USED	
P.E.		05 D34A	
M.E.		UNSPECIFIED TOLERANCES ARE:	
DSNR		WHOLE DIM (X)	: 3
		ONE-PLACE (X.X)	:
		TWO-PLACE (X.XX)	:
		ANGLE	:
THIRD ANGLE PROJECTION		MATERIAL:	
DO NOT SCALE DRAWING			
TITLE: DRAINAGE SYSTEM INSTL			
SHEET 1 OF 3	PART NO	151670	

(X-X)
 FOR
 DRAINAGE
 CALLOUTS
 SEE DWG NO
 116229-01-000



SINK-SMC, DBL L/S BASIN
 148870-02-CHT (US/CAN)
 STRAINER
 92303-01-000 (2)
 BRACKET
 130481-07-CHT (8)
 SCREW
 G67-01-08B (8)
 WASHER
 127440-02-CHT (2)
 SEAL
 (A/R)

BRACKET-COVER, PLUMBING
 142526-01-CHT
 BRACKET-CARRIER
 142527-01-CHT

SINK, LAVATORY
 142285-01-CHT
 TAILPIECE
 106116-01-CHT
 GASKET
 106116-02-CHT
 SCREW
 G67-08-10U (6)

SHOWER INSTL-ENCLOSURE
 147868-02-000
 STRAINER
 66440-01-000
 SEALER
 69640-01-000
 NUT
 130403-01-000
 WASHER-RUBBER
 127440-02-CHT
 TAILPIECE
 11069-02-000

TOILET-AQUA MAGIC
 147421-01-CHT

ADAPTER-DUCT
 143289-01-000

PRIMER
 126427-02-00
 CEMENT
 126427-01-000 (USA)
 126427-03-000 (CAN)

STRAP
 8406-01-000

VIEW A

VIEW B

FIRST USED	05 D34A
TITLE	DO NOT SCALE DRAWING
TITLE	DRAINAGE SYSTEM INSTL
SHEET 2	PART NO 151670

8

7

6

5

4

3

2

1

D

D

C

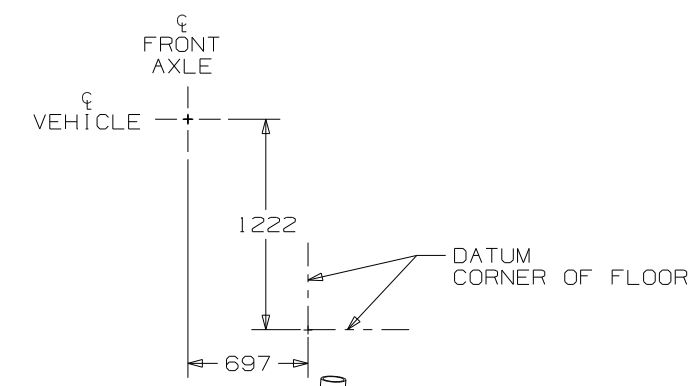
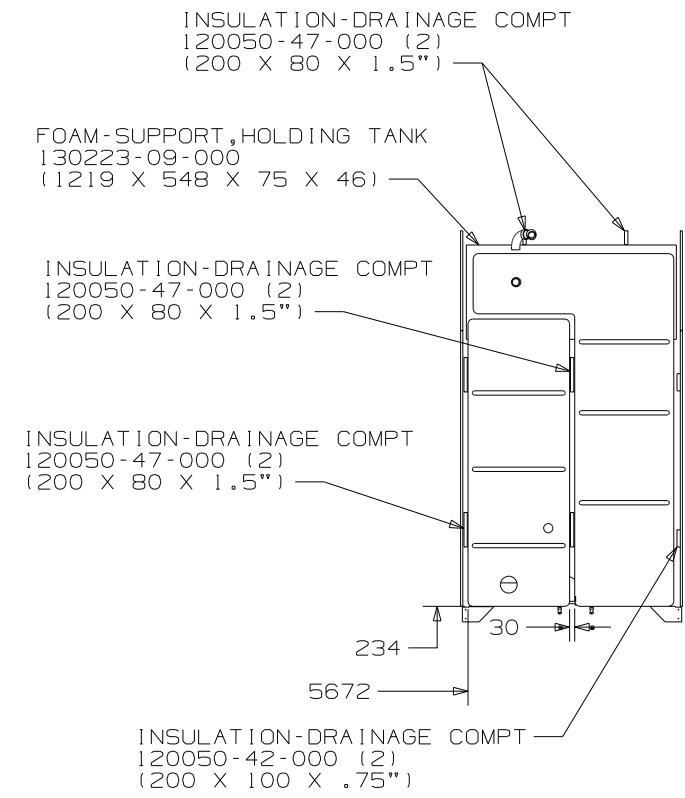
C

B

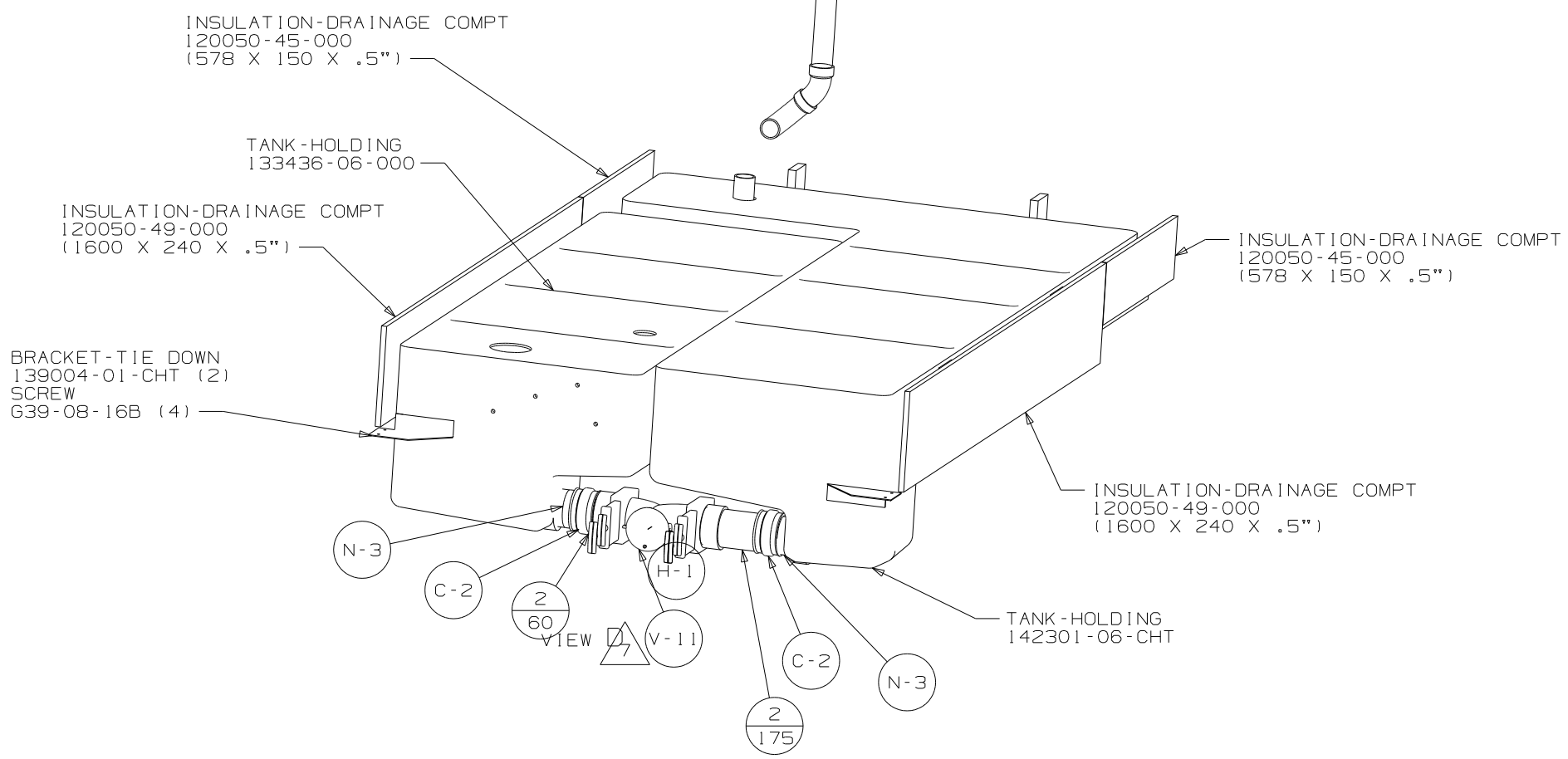
B

A

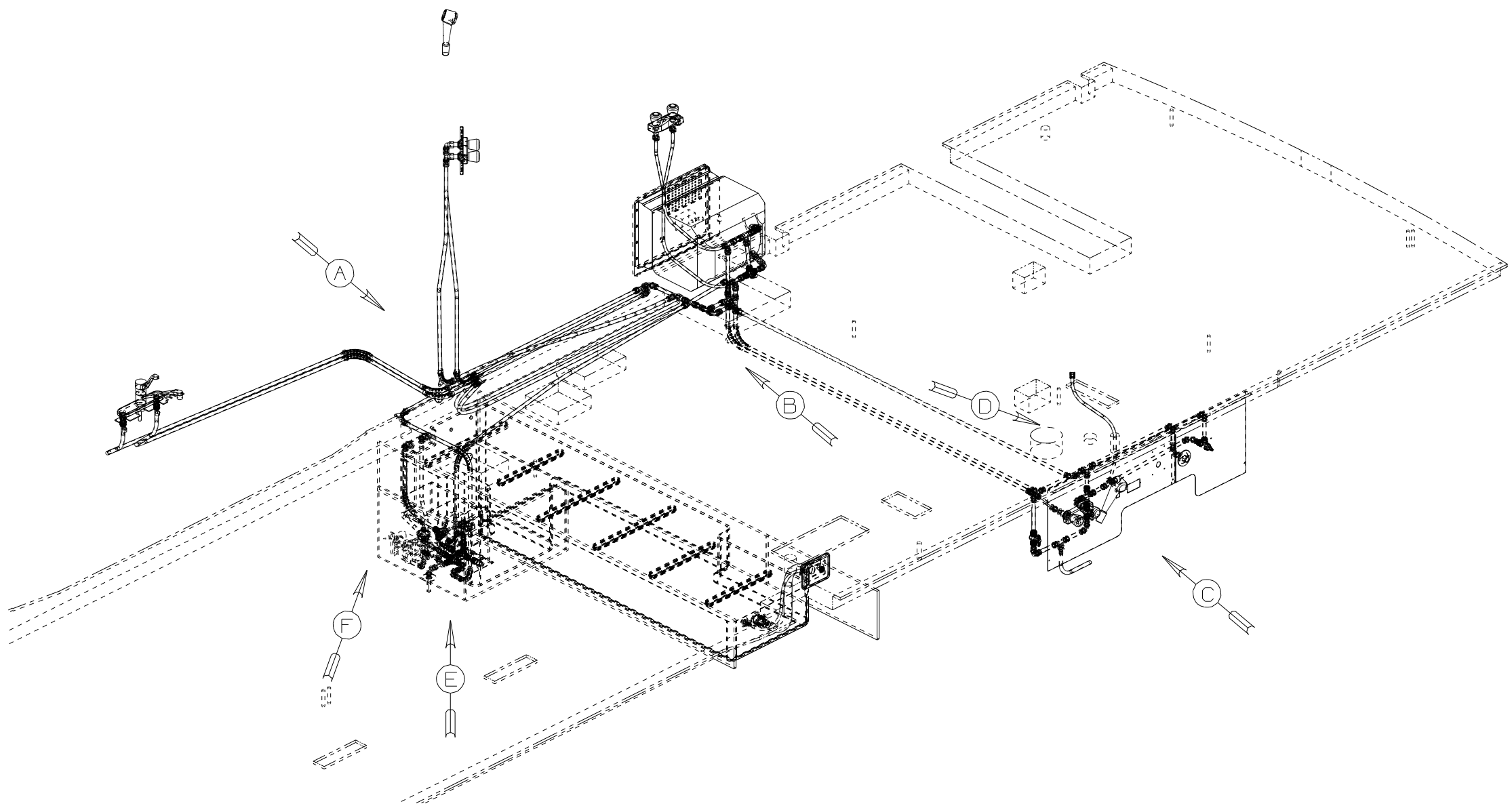
A



VIEW C



FIRST USED	05 D34A
DO NOT SCALE DRAWING	
TITLE	DRAINAGE SYSTEM INSTL
SHEET 3	PART NO 151670

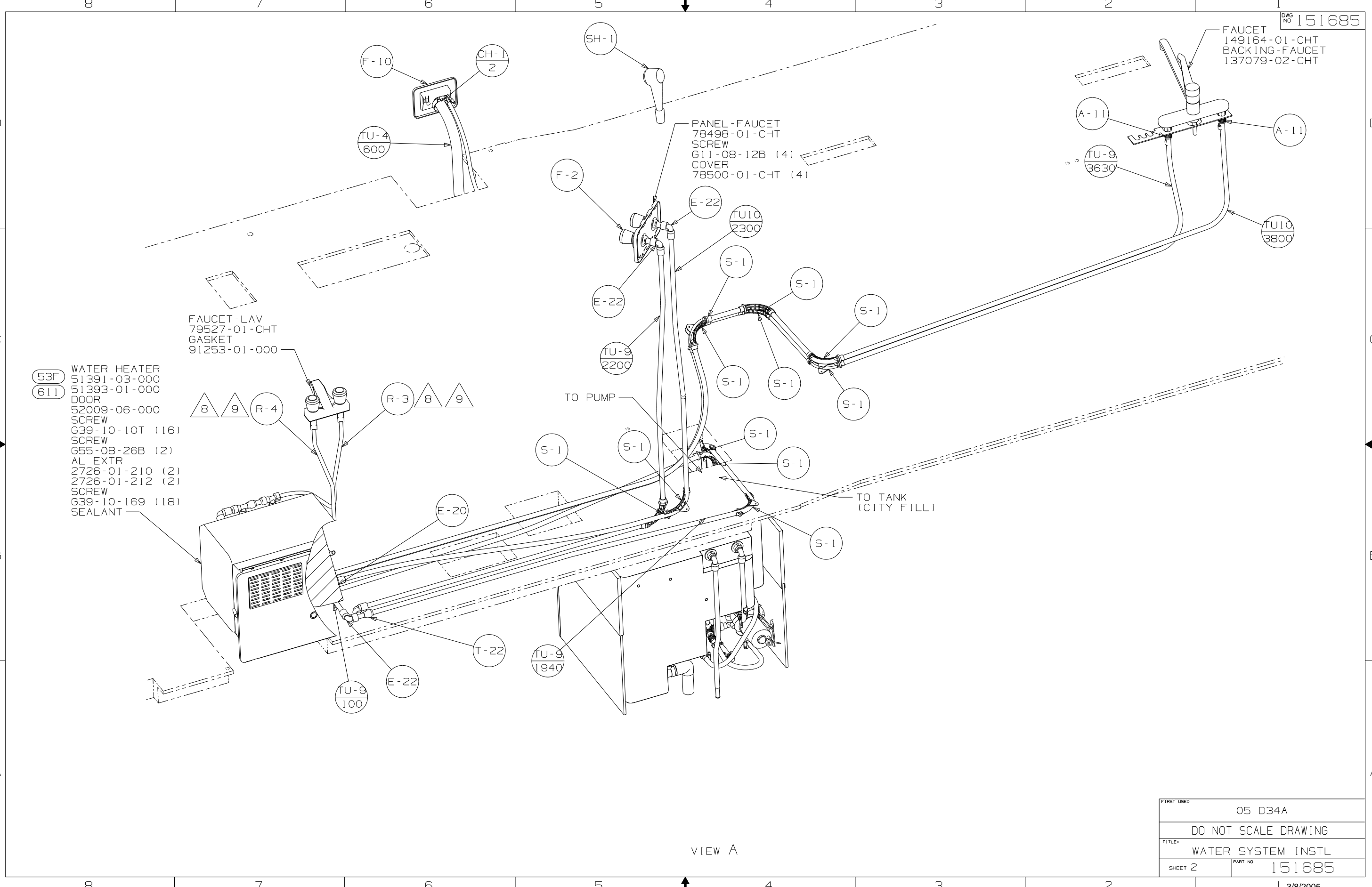


- NOTES:
- 1. PLASTIC FITTINGS TO BE SEALED WITH SEALANT 84456-01-000.
 - 2. TUBING TO BE INSTALLED WITH SUFFICIENT SLOPE TO PROVIDE DRAINAGE TO NEAREST VALVE.
 - 3. ALL TUBING TO BE SECURED AT 1200 INTERVALS MAXIMUM WITH CLAMP 10495-01-000 OR CLIP 9151-01-000 AND SCREW G67-10-12B.
 - 4. CLAMPS MUST BE ON BARBS.
 - 5. ADD TEFLON TAPE 10405-02-000 TO FITTINGS.
 - 6. ADD TEFLON TAPE 10405-03-000 TO FITTING.
 - 7. ADD TEFLON TAPE 10405-01-000 TO FITTINGS.
 - 8. TAPE FITTING TO TUBE BEFORE CABINET SET TO PREVENT FITTING FROM MOVING.
 - 9. LABEL THE HOT AND COLD SUPPLY TUBES.
 - 10. ADD PIPE WRAP (LADDER SCRAP) INSULATION HERE.

- 53F) WATER HEATER-ELEC. IGNITION
- 611) MOTORAID & AUX. HEATER
- 1J4) W/O EXTERIOR WASH STATION
- 64R) EXTERIOR WASH STATION

WINNEBAGO		COPYRIGHT 2005 WINNEBAGO INDUSTRIES, INC.	
DFTR	ORIG. DATE	ALL DIMENSIONS ARE IN MILLIMETERS	
CHKR		FIRST USED	
P.E.		05 D34A	
M.E.		UNSPECIFIED TOLERANCES ARE:	
DSNR		MATERIAL:	
		WHOLE DIM (X)	: 3
		ONE-PLACE (X.X)	:
		TWO-PLACE (X.XX)	:
		ANGLE	:
THIRD ANGLE PROJECTION		DO NOT SCALE DRAWING	
TITLE: WATER SYSTEM INSTL			
SHEET 1 OF 4		PART NO 151685	

(X-X)
FOR
WATER
CALLOUTS
SEE DWG NO
116230-01-000



- (53F) WATER HEATER 51391-03-000
- (611) 51393-01-000
- DOOR 52009-06-000
- SCREW G39-10-10T (16)
- SCREW G55-08-26B (2)
- AL EXTR 2726-01-210 (2)
- 2726-01-212 (2)
- SCREW G39-10-169 (18)
- SEALANT

FAUCET-LAV
79527-01-CHT
GASKET
91253-01-000

PANEL-FAUCET
78498-01-CHT
SCREW
G11-08-12B (4)
COVER
78500-01-CHT (4)

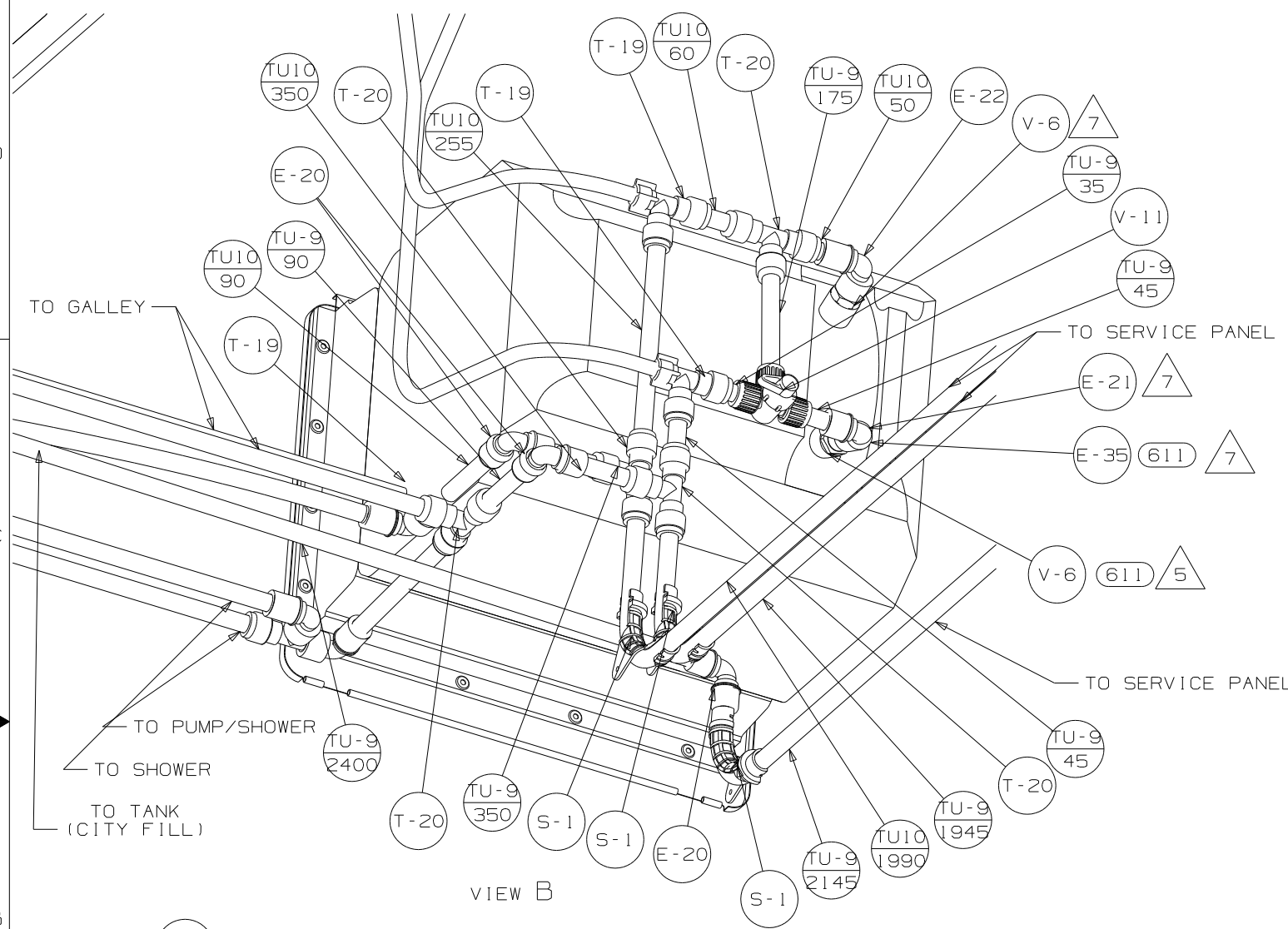
FAUCET
149164-01-CHT
BACKING-FAUCET
137079-02-CHT

8 9 R-4 R-3 8 9

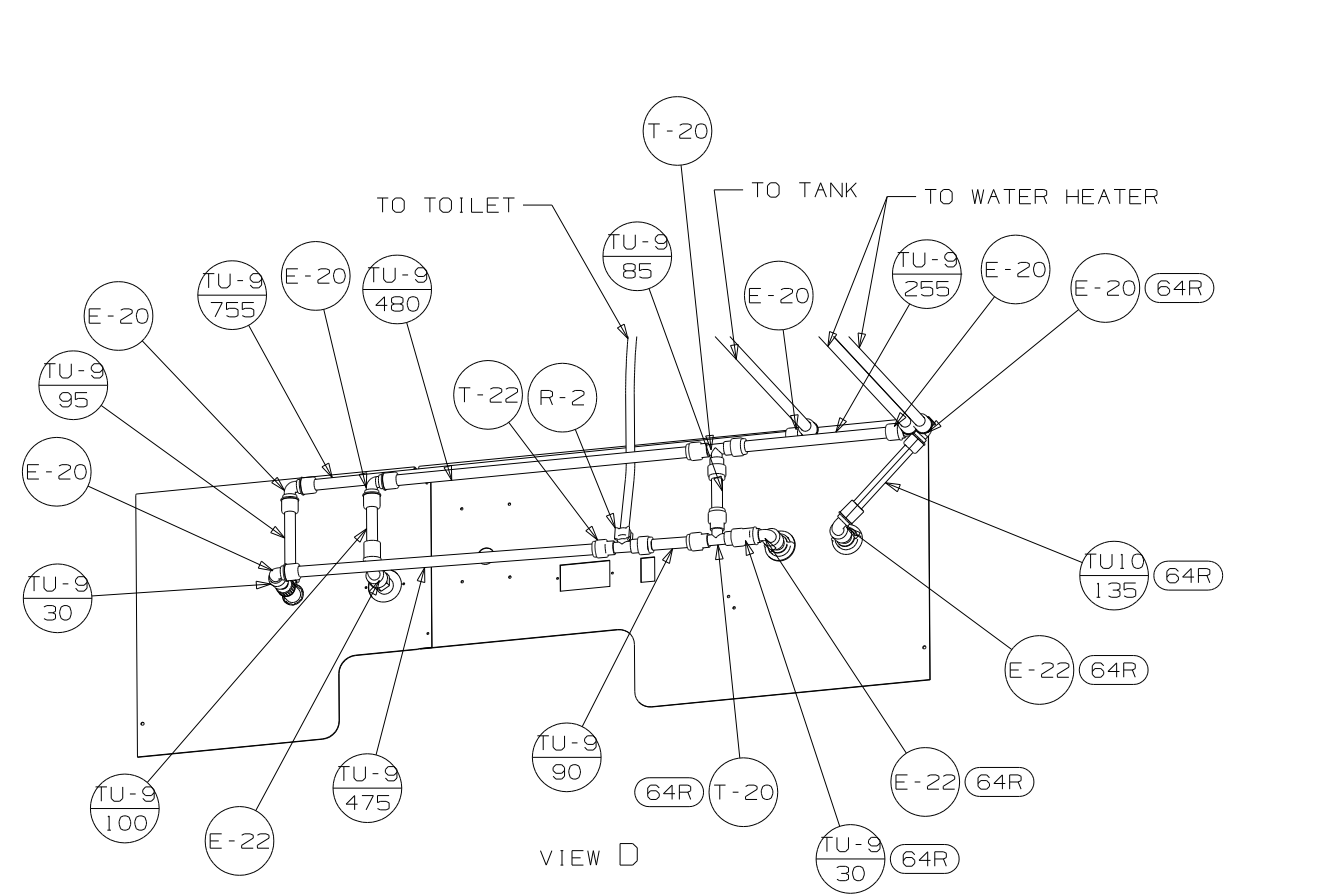
TO PUMP

TO TANK
(CITY FILL)

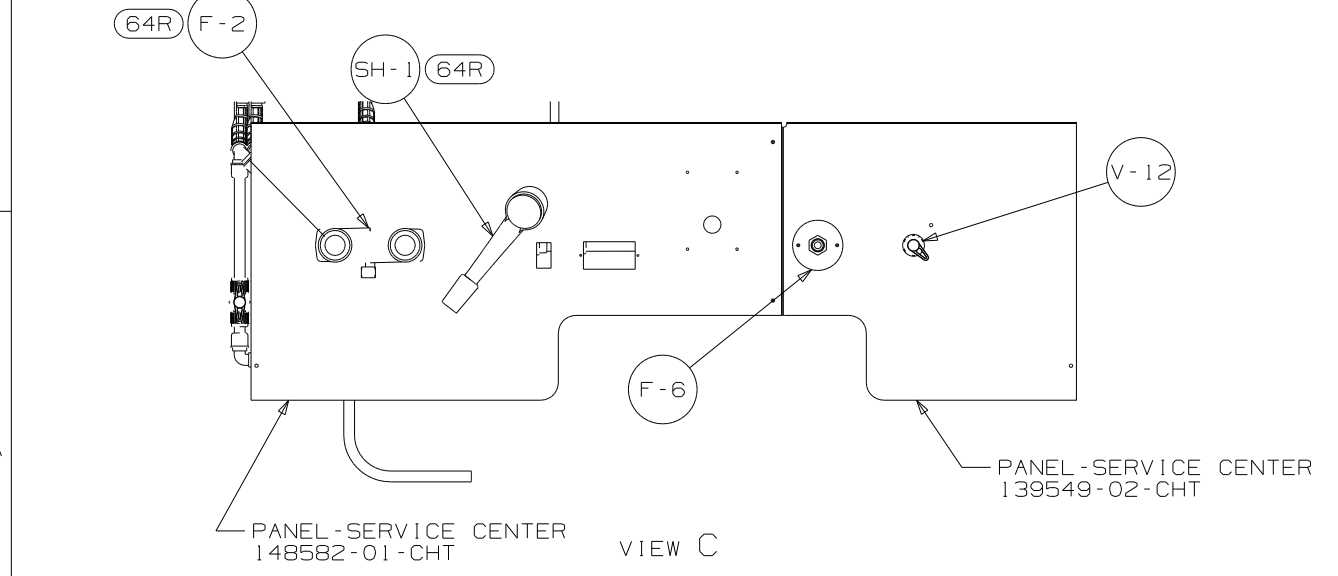
FIRST USED	05 D34A
TITLE	DO NOT SCALE DRAWING
SHEET 2	PART NO 151685
	1 3/8/2005



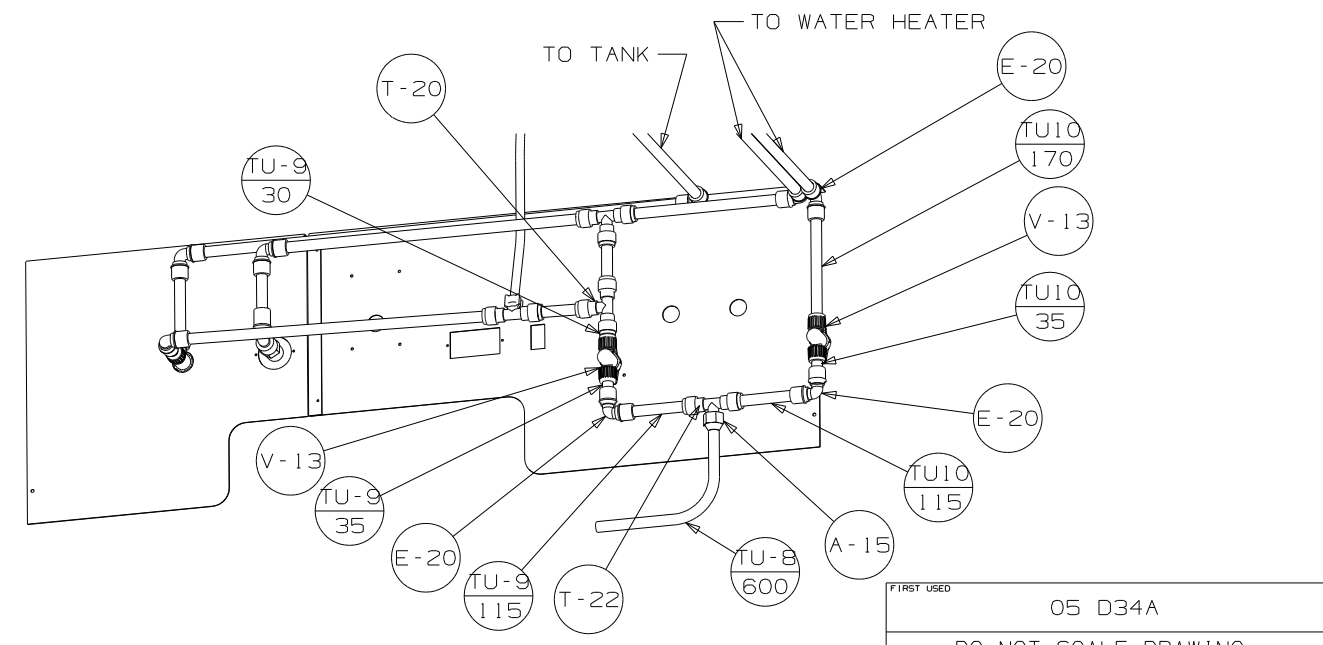
VIEW B



VIEW D

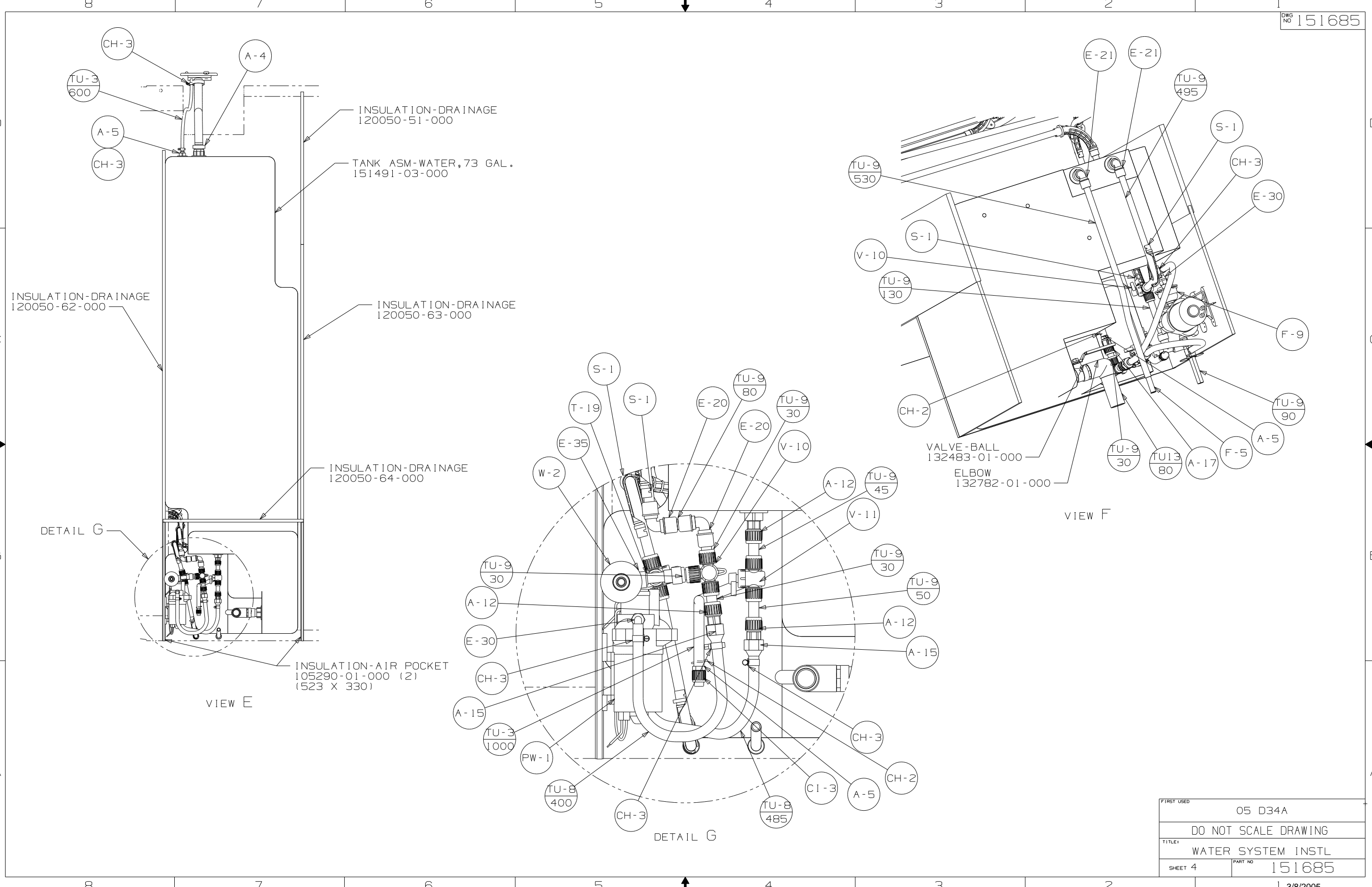


VIEW C



VIEW D

FIRST USED	05 D34A
TITLE	DO NOT SCALE DRAWING
TITLE	WATER SYSTEM INSTL
SHEET 3	PART NO 151685



FIRST USED	05 D34A
DO NOT SCALE DRAWING	
TITLE	WATER SYSTEM INSTL
SHEET 4	PART NO 151685