



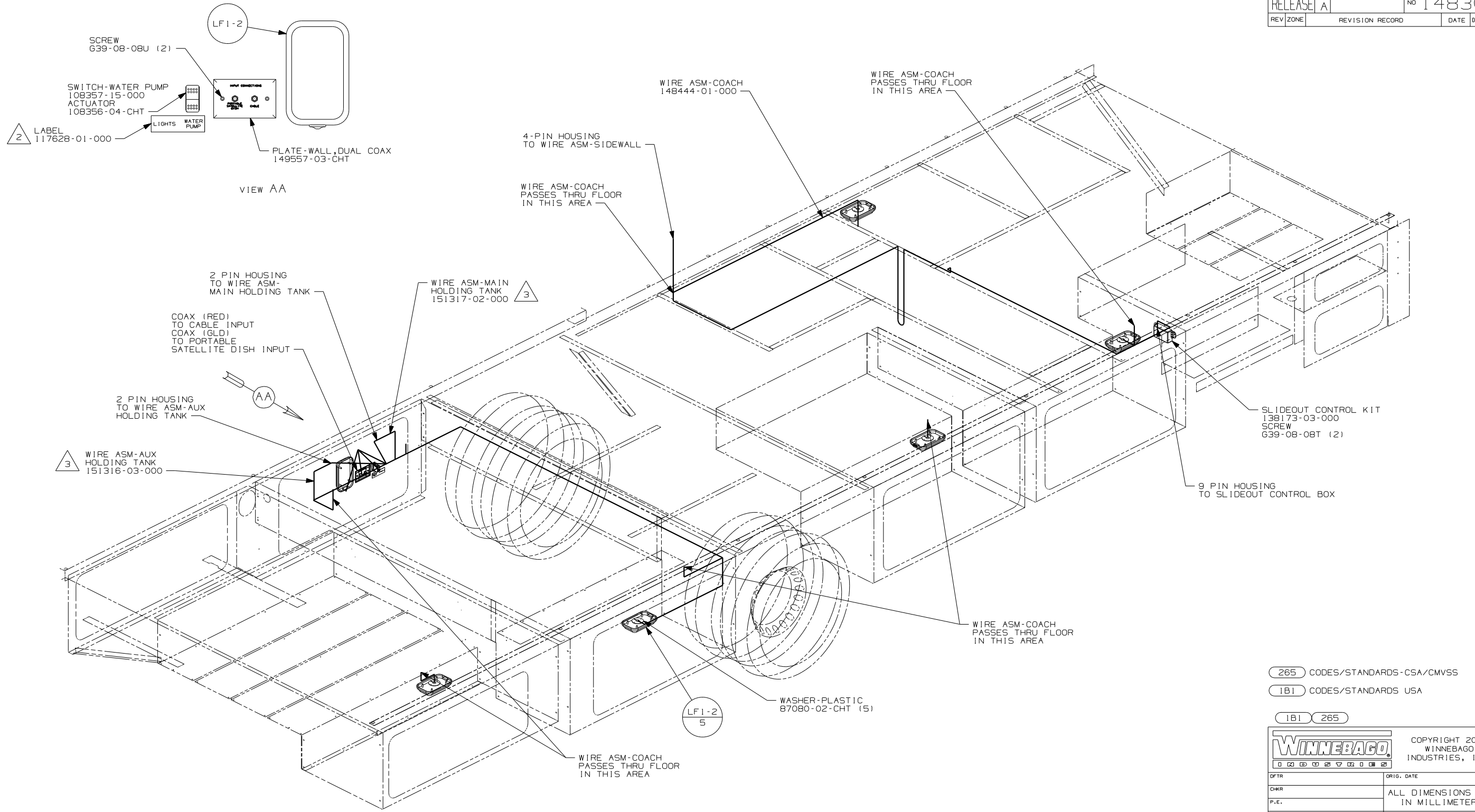
DANGER

Danger of electrical shock, burns or death. Always remove all power sources before attempting any repair, service or diagnostic work. Power can be present from shore power, generator, inverter or battery. All power sources must be disabled and secured before performing any service.



CAUTION

If you lack the skills, tools or equipment to perform diagnostic or repair work leave such work to an authorized Winnebago Industries dealer or other qualified shop.



- 3 PLACE CROSS LOCATOR ON SENSORS OVER DIMPLES ON TANK.
- 2 CUT LABEL IN HALF AND USE PORTION THAT READS WATER PUMP.

1. ALL WIRES TO BE SECURED WITH CLAMP 10495 OR 10497 OR WIRE TIE 8343 OR 108046 EVERY 600MM, USE SCREW G67-XX-XXX OR G56-XX-XXX AS APPROPRIATE FOR INTALLATION.

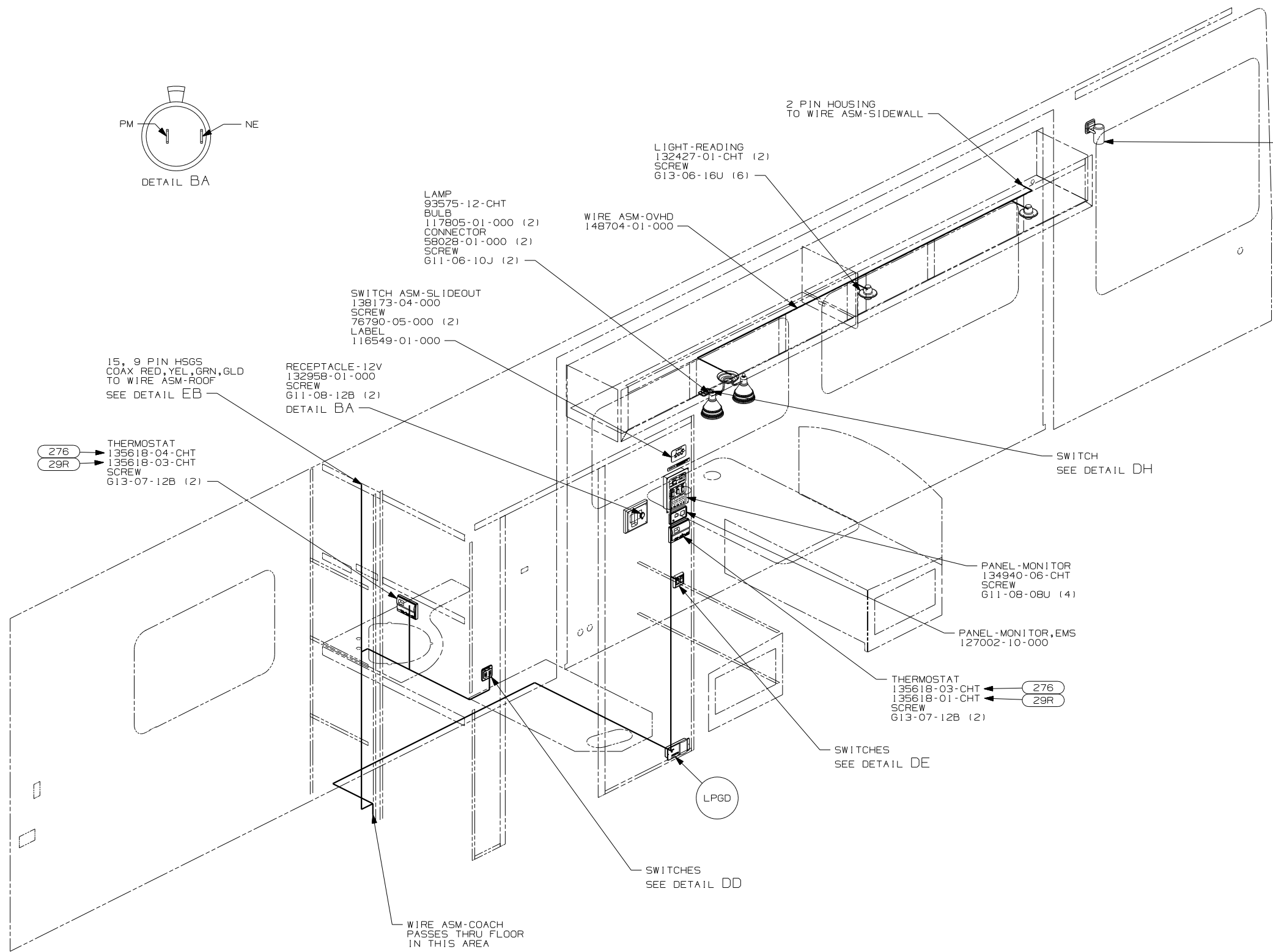
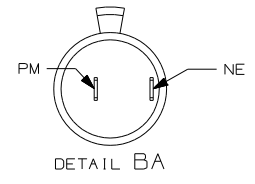
NOTES:

265 CODES/STANDARDS-CSA/CMVSS
 1B1 CODES/STANDARDS USA
 1B1 265

WINNEBAGO		COPYRIGHT 2004 WINNEBAGO INDUSTRIES, INC.	
DFTR	ORIG. DATE		
CHKR	ALL DIMENSIONS ARE IN MILLIMETERS		
P.E.			
M.E.	FIRST USED		
DSNR	05 D33L		
UNSPECIFIED TOLERANCES ARE:		MATERIAL:	
WHOLE DIM (X)	:		
ONE-PLACE (X.X)	:		
TWO-PLACE (X.XX)	:		
ANGLE	:		
THIRD ANGLE PROJECTION			
DO NOT SCALE DRAWING			
TITLE: WIRING INSTL-BODY, 12V			
SHEET 1 OF 5	PART NO	148302	

FOR ELECTRICAL
TORQUE
SPECIFICATIONS
SEE DWG NO.
128783-01-000

FOR
ELECTRICAL
CALLOUTS
SEE DWG NO.
121339-01-000



2. ALL WIRES TO BE SECURED WITH CLAMP 10495 OR 10497 OR WIRE TIE 8343 OR 108046 EVERY 600MM, USE SCREW G67-XX-XXX OR G56-XX-XXX AS APPROPRIATE FOR INTALLATION.

1 SEE WIRING INSTL-FRONT END FOR WIRING INFORMATION.

NOTES:

- 29R AC HEAT PUMP-2 HI EFFICIENCY
- 276 A/C ROOF-HI EFF (2) W/EMS
- 265 CODES/STANDARDS-CSA/CMVSS
- 1B1 CODES/STANDARDS USA

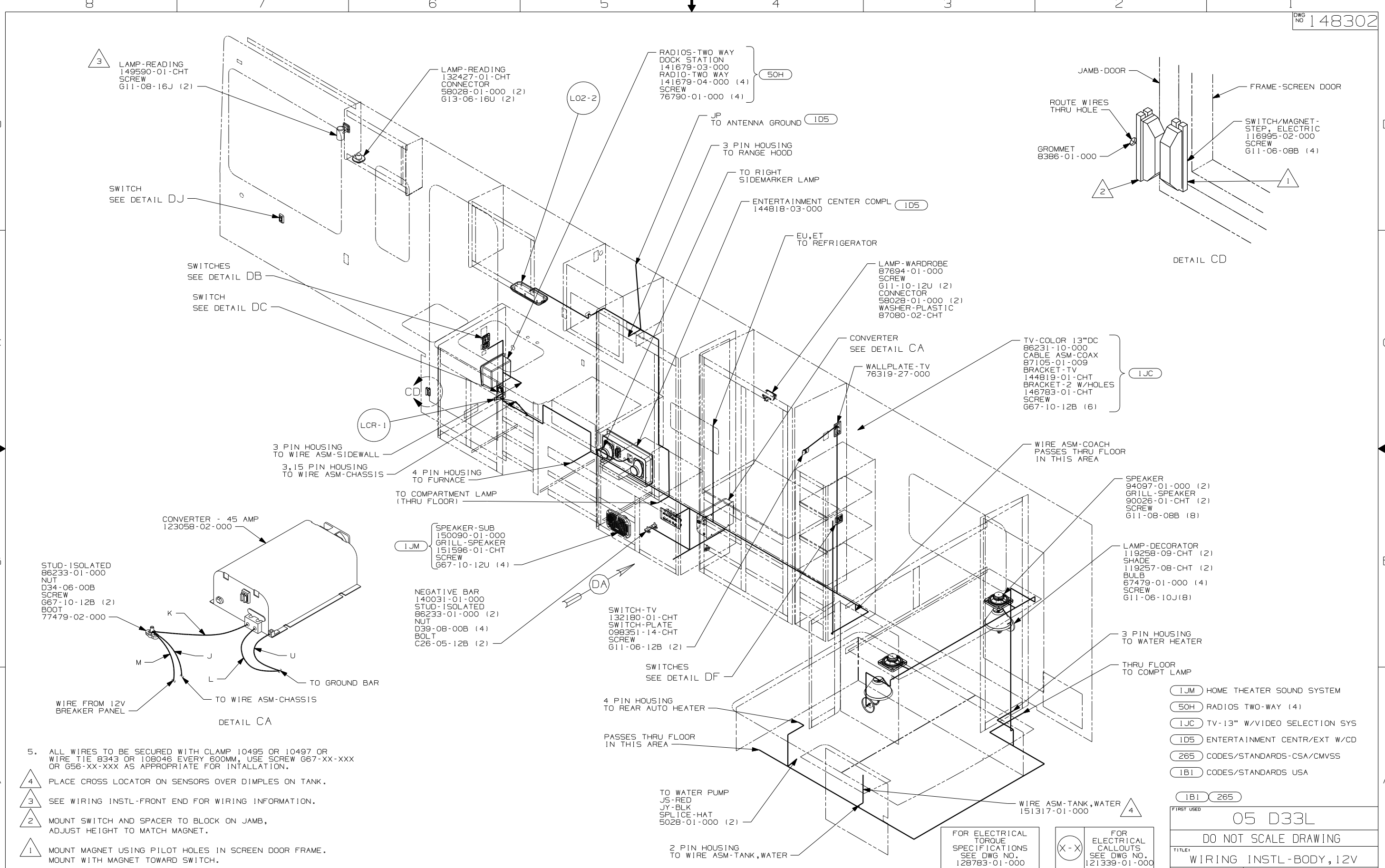
1B1 265

FIRST USED	05 D33L
TITLE	DO NOT SCALE DRAWING
TITLE	WIRING INSTL-BODY, 12V
SHEET 2	PART NO 148302

FOR ELECTRICAL TORQUE SPECIFICATIONS SEE DWG NO. 128783-01-000



FOR ELECTRICAL CALLOUTS SEE DWG NO. 121339-01-000



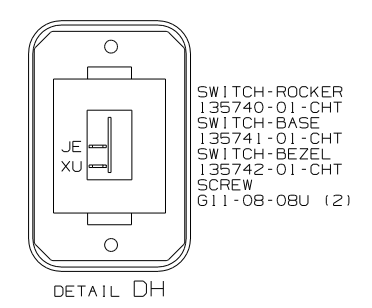
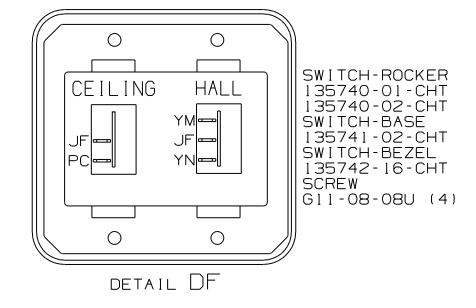
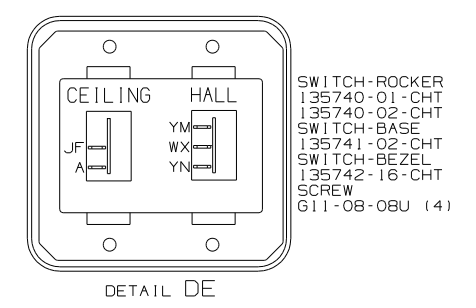
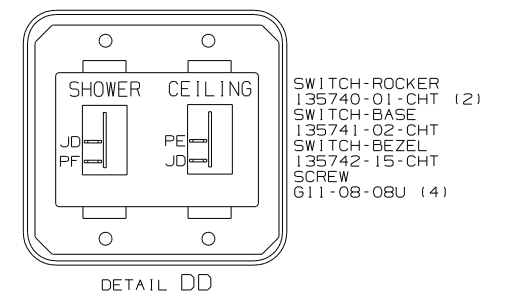
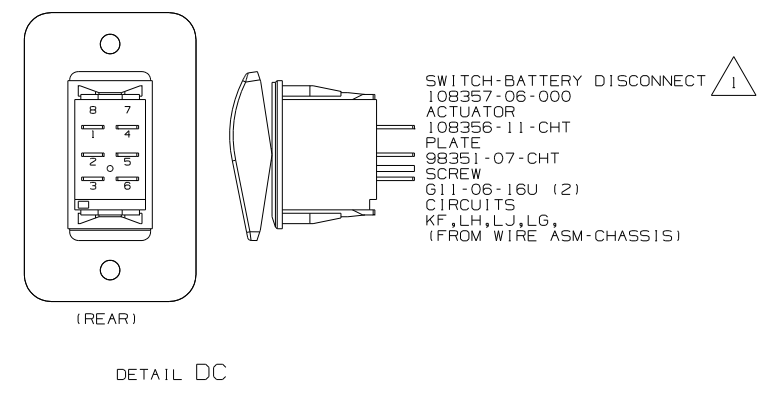
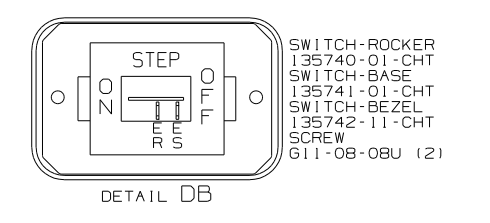
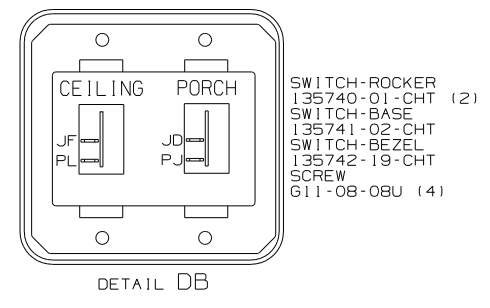
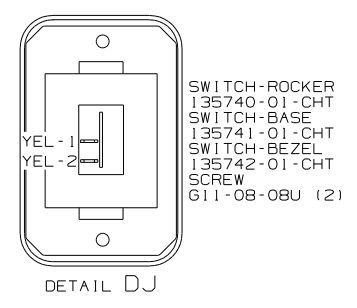
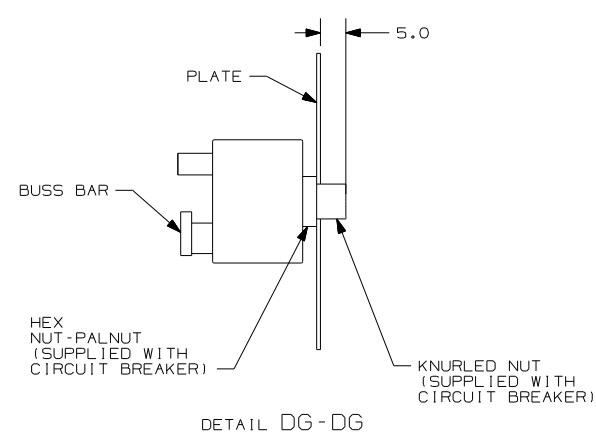
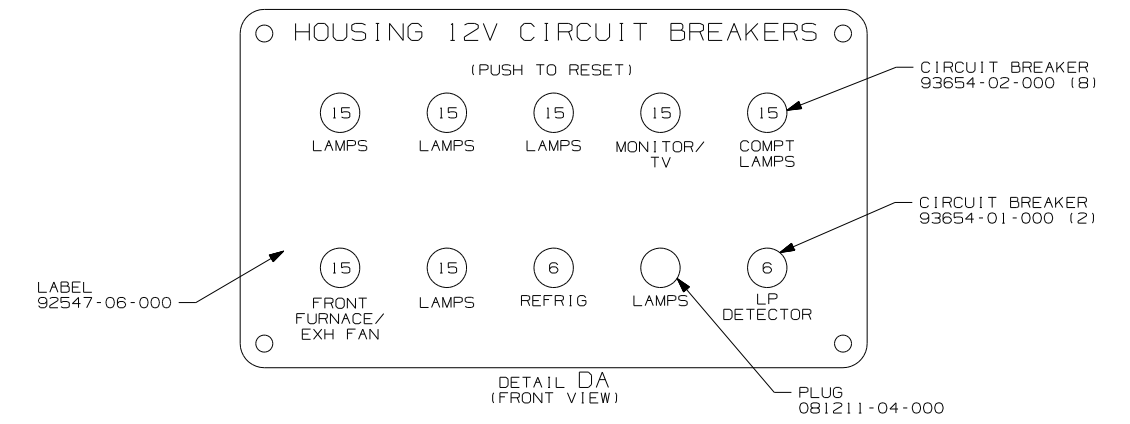
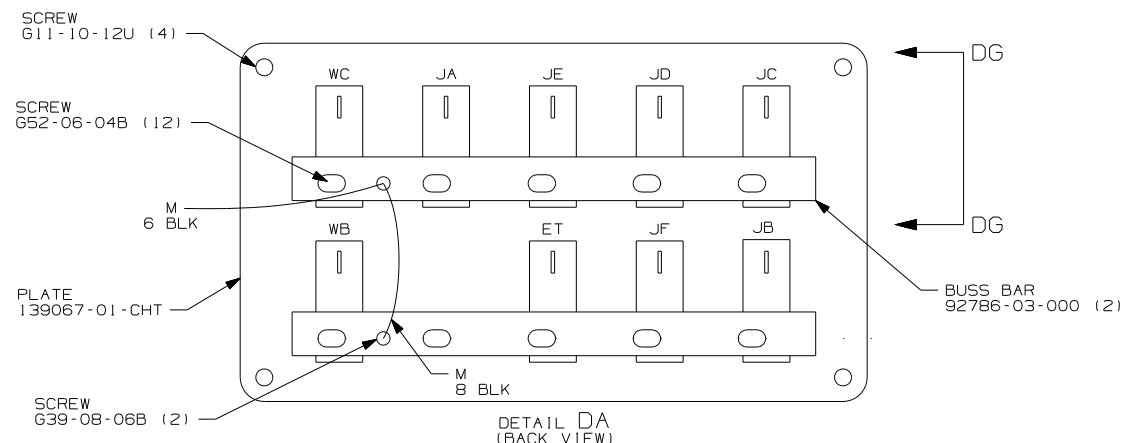
- NOTES:
- 5. ALL WIRES TO BE SECURED WITH CLAMP 10495 OR 10497 OR WIRE TIE 8343 OR 108046 EVERY 600MM, USE SCREW 667-XX-XXX OR 656-XX-XXX AS APPROPRIATE FOR INSTALLATION.
 - 4. PLACE CROSS LOCATOR ON SENSORS OVER DIMPLES ON TANK.
 - 3. SEE WIRING INSTL-FRONT END FOR WIRING INFORMATION.
 - 2. MOUNT SWITCH AND SPACER TO BLOCK ON JAMB, ADJUST HEIGHT TO MATCH MAGNET.
 - 1. MOUNT MAGNET USING PILOT HOLES IN SCREEN DOOR FRAME. MOUNT WITH MAGNET TOWARD SWITCH.

FOR ELECTRICAL TORQUE SPECIFICATIONS SEE DWG NO. 128783-01-000

FOR ELECTRICAL CALLOUTS SEE DWG NO. 121339-01-000

- IJM HOME THEATER SOUND SYSTEM
- 50H RADIOS TWO-WAY (4)
- IJC TV-13" W/VIDEO SELECTION SYS
- ID5 ENTERTAINMENT CENTR/EXT W/CD
- 265 CODES/STANDARDS-CSA/CMVSS
- 1B1 CODES/STANDARDS USA

FIRST USED	05 D33L
TITLE	DO NOT SCALE DRAWING
TITLE	WIRING INSTL-BODY, 12V
SHEET 3	PART NO 148302



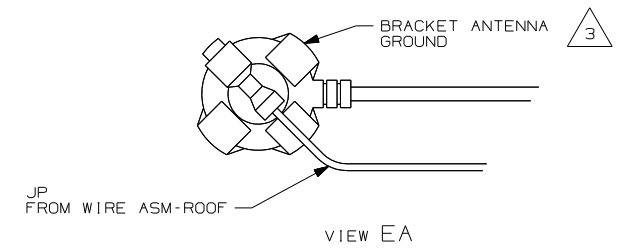
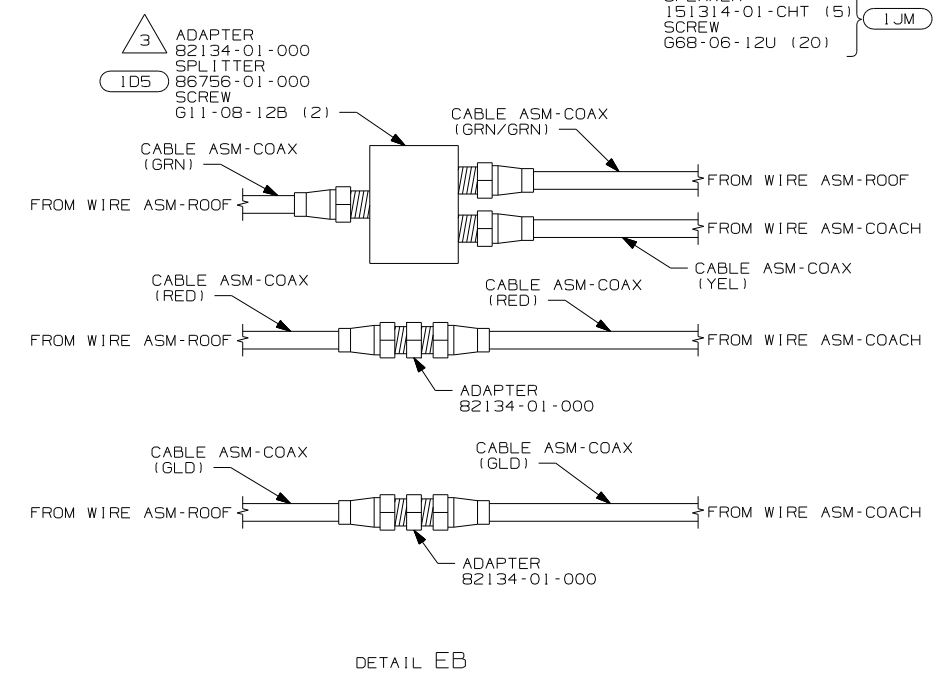
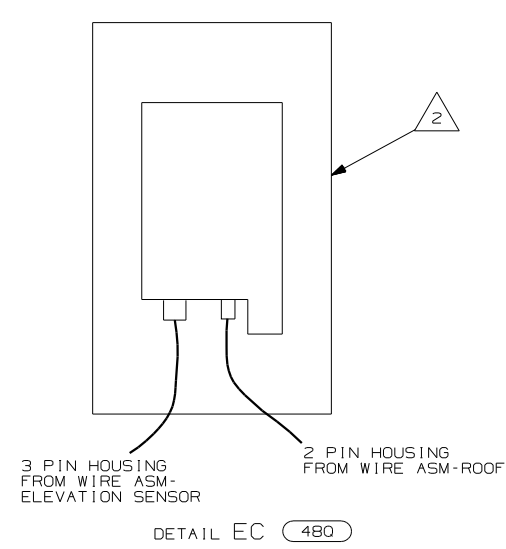
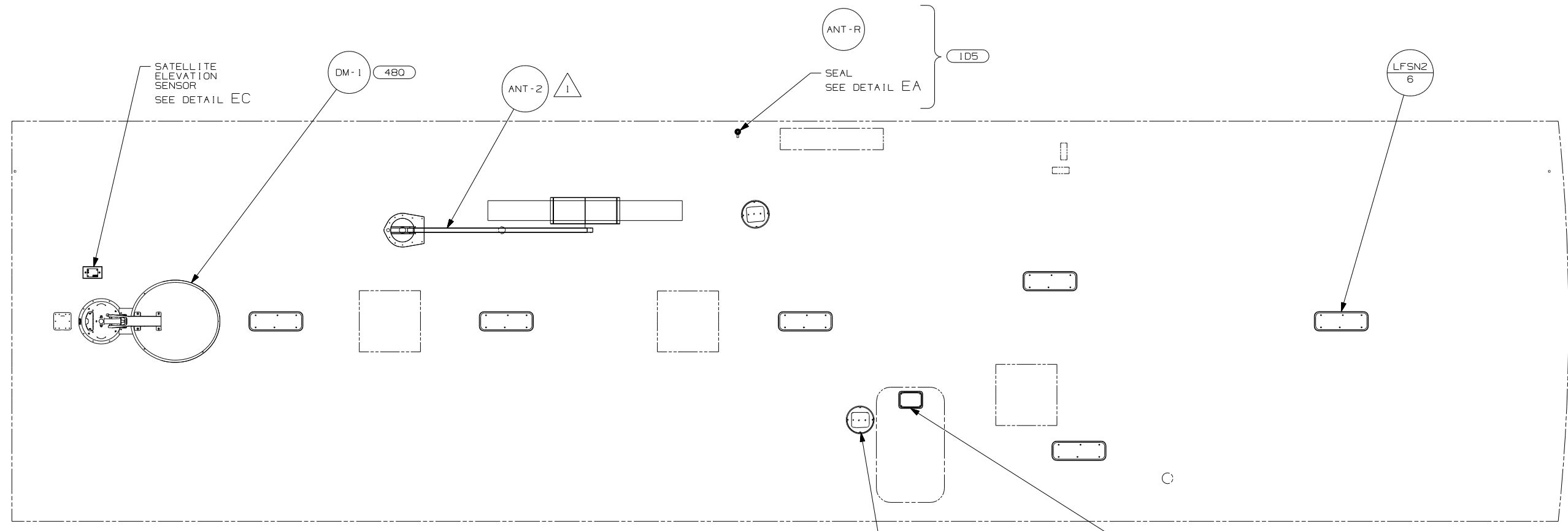
NOTES:
 1 SWITCH IS TO BE MOUNTED WITH HOUSING ALIGNMENT POST TO BOTTOM OF CUTOUT.

FOR ELECTRICAL TORQUE SPECIFICATIONS SEE DWG NO. 128783-01-000

FOR ELECTRICAL CALLOUTS SEE DWG NO. 121339-01-000

265 CODES/STANDARDS-CSA/CMVSS
 1B1 CODES/STANDARDS USA
 1B1 265

FIRST USED	05 D33L
TITLE	DO NOT SCALE DRAWING
TITLE	WIRING INSTL-BODY, 12V
SHEET 4	PART NO 148302



- NOTES:
- 4 WRAP LEGS AROUND ANTENNA BASE.
 - 3 WITHOUT 1D5 USE ADAPTER AND CONNECT GRN COAX TO GRN/GRN COAX. YEL COAX IS NOT USED.
 - 2 SENSOR SUPPLIED WITH SATELLITE ASSEMBLY
 - 1 SEE DWG 76319-01-000 FOR INSTALLATION INSTRUCTIONS.

FOR ELECTRICAL TORQUE SPECIFICATIONS SEE DWG NO. 128783-01-000

FOR ELECTRICAL CALLOUTS SEE DWG NO. 121339-01-000

- 1JHM HOME THEATER SOUND SYSTEM
- 480 SATELLITE DISH & ELEV.SENSOR
- 1D5 ENTERTAINMENT CENTR/EXT W/CD
- 265 CODES/STANDARDS-CSA/CMVSS
- 1B1 CODES/STANDARDS USA

FIRST USED	05 D33L
DO NOT SCALE DRAWING	
TITLE:	WIRING INSTL-BODY, 12V
SHEET 5	PART NO 148302