

FRONT
OF
COACH

(265) CODES/STDS-CSA/CMVSS
(1B1) CODES/STANDARDS-USA

WINNEBAGO		COPYRIGHT 2004 WINNEBAGO INDUSTRIES, INC.	
DFTR	ORIG. DATE	ALL DIMENSIONS ARE IN MILLIMETERS	
CHKR		FIRST USED	
P.E.		05 D33L	
M.E.		UNSPECIFIED TOLERANCES ARE:	
DSNR		MATERIAL:	
		WHOLE DIM (X) :	3
		ONE-PLACE (X.X) :	
		TWO-PLACE (X.XX) :	
		ANGLE :	
THIRD ANGLE PROJECTION		DO NOT SCALE DRAWING	
TITLE:		DRAINAGE SYSTEM INSTL	
SHEET 1 of 3	PART NO	148756	

- NOTES:
- 1 VENT PIPE MUST PROJECT 51 MIN AND 64 MAX ABOVE ROOF FOR PROPER FIT.
 - 2 SLOPE OF HORIZONTAL PIPING TO BE 6 PER 305 mm.
 - 3 SLOPE OF TRAP ARM MUST BE 6 PER 305 mm.
 - 4 ALL PIPE AND FITTING TO BE ASSEMBLED WITH SOLVENT 4020-01-000 (US) 4020-02-000 (CAN)
 - 5 ALL EXTERIOR OPENINGS AROUND PIPE TO BE SEALED WITH 110744-01-000.
 - 6 SEAL AROUND SHOWER WITH SILICONE.
 - 7 VALVE TERMINATION TEE TO BE POSITIONED AT 10° DOWN AND OUTBOARD.
 - 8 TRIM P-TRAP EXTENSION TO FIT.

(X-X)
FOR
DRAINAGE
CALLOUTS
SEE DWG NO
116229-01-000

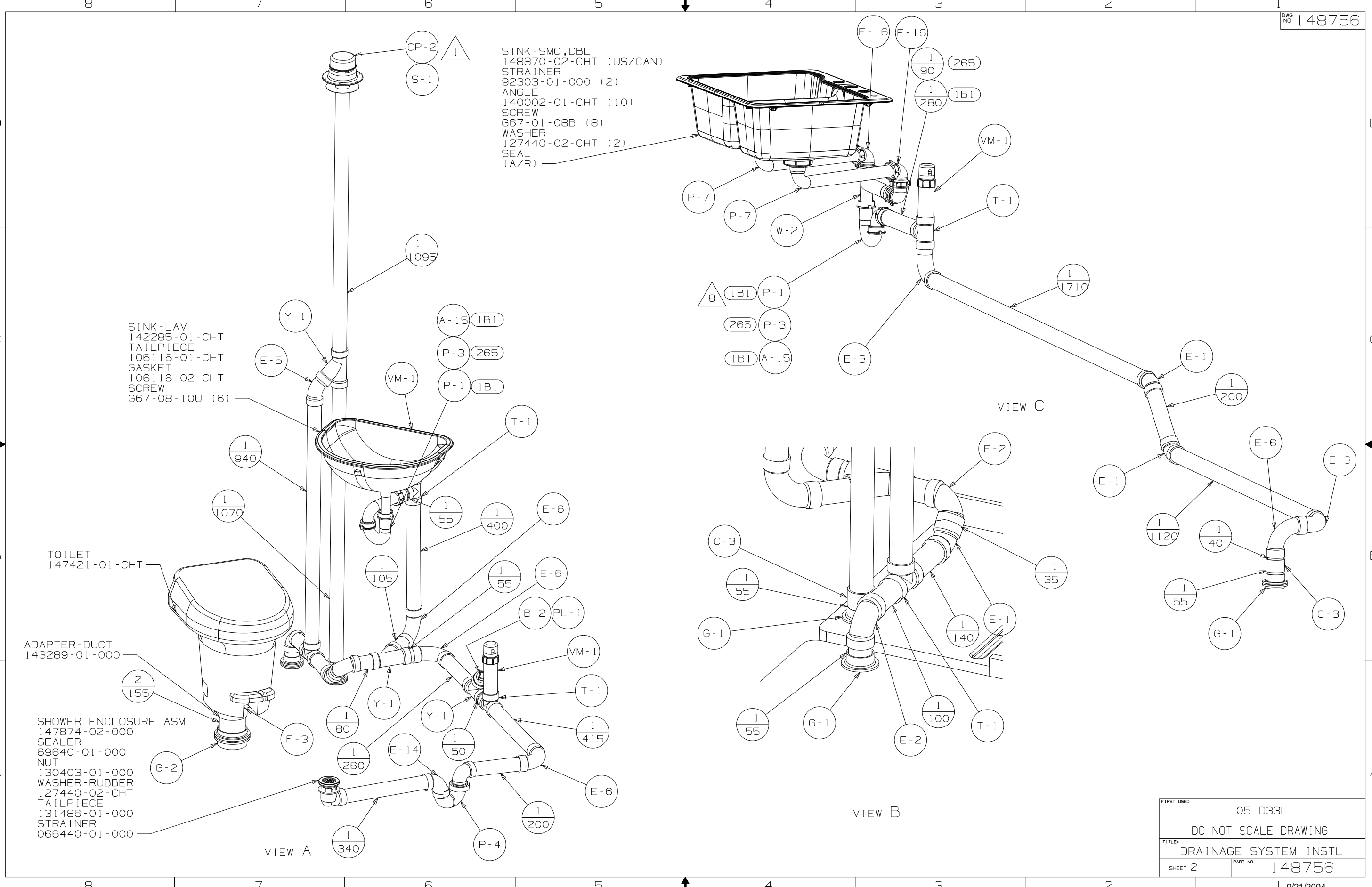
- SINK - SMC, DBL
- 148870-02-CHT (US/CAN)
- STRAINER
- 92303-01-000 (2)
- ANGLE
- 140002-01-CHT (10)
- SCREW
- G67-01-08B (8)
- WASHER
- 127440-02-CHT (2)
- SEAL (A/R)

- SINK-LAV
- 142285-01-CHT
- TAILPIECE
- 106116-01-CHT
- GASKET
- 106116-02-CHT
- SCREW
- G67-08-10U (6)

- TOILET
- 147421-01-CHT

- ADAPTER-DUCT
- 143289-01-000

- SHOWER ENCLOSURE ASM
- 147874-02-000
- SEALER
- 69640-01-000
- NUT
- 130403-01-000
- WASHER-RUBBER
- 127440-02-CHT
- TAILPIECE
- 131486-01-000
- STRAINER
- 066440-01-000



VIEW A

VIEW B

VIEW C

FIRST USED	05 D33L
DO NOT SCALE DRAWING	
TITLE	DRAINAGE SYSTEM INSTL
SHEET 2	PART NO 148756

FOAM-SUPPORT, HOLDING TANK
130223-09-000
(1219 X 548 X 56 X 27)

INSULATION-DRAINAGE COMPT
120050-47-000 (2)
(200 X 80 X 1.5")

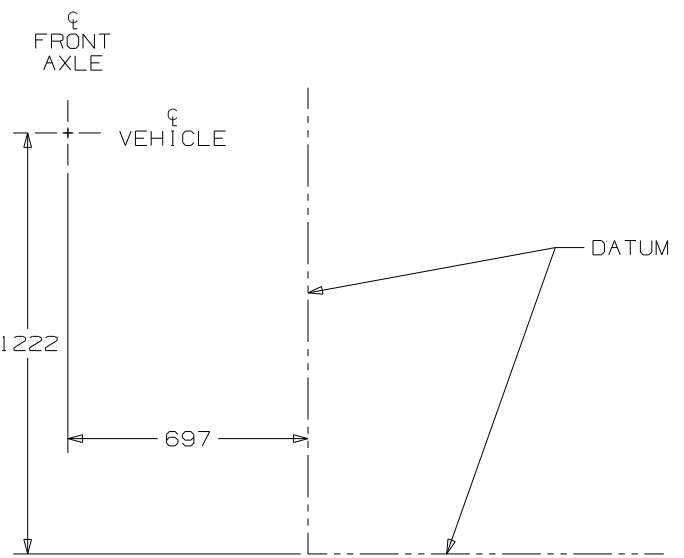
INSULATION-DRAINAGE COMPT
120050-45-000 (2)
(578 X 150 X .5")

INSULATION-DRAINAGE COMPT
120050-47-000 (2)
(200 X 80 X 1.5")

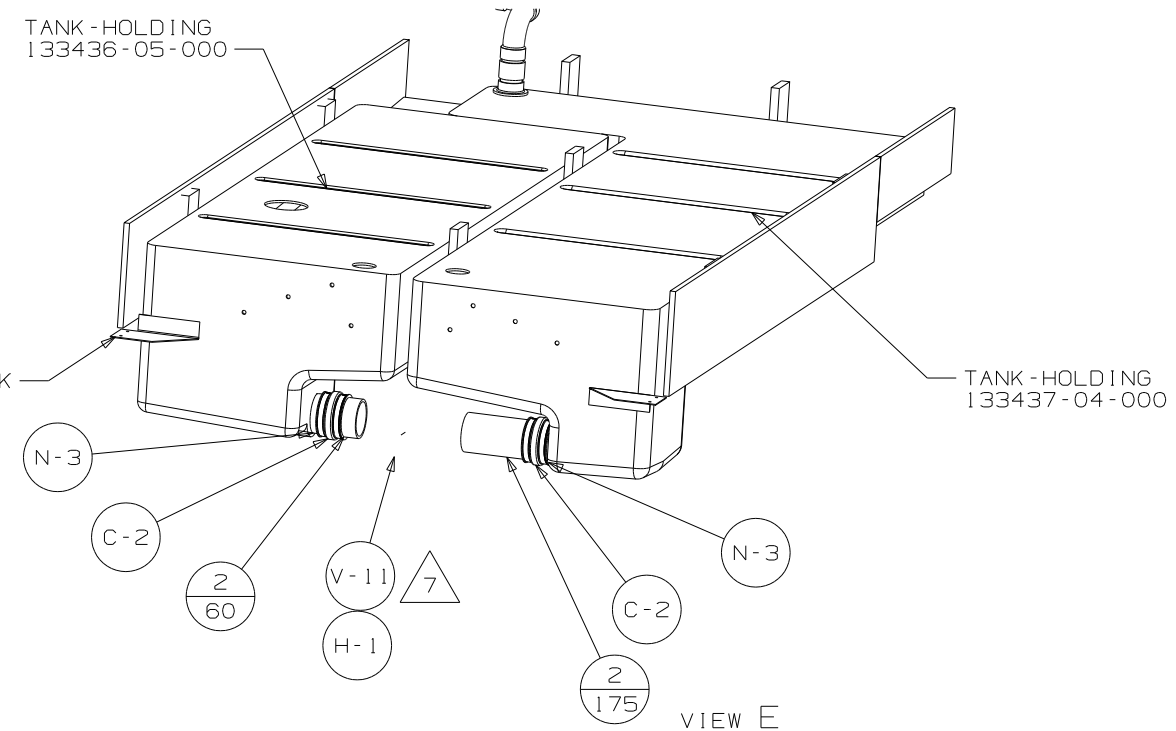
INSULATION-DRAINAGE COMPT
120050-47-000 (2)
(200 X 80 X 1.5")

INSULATION-DRAINAGE COMPT
120050-49-000 (2)
(1600 X 240 X .5")

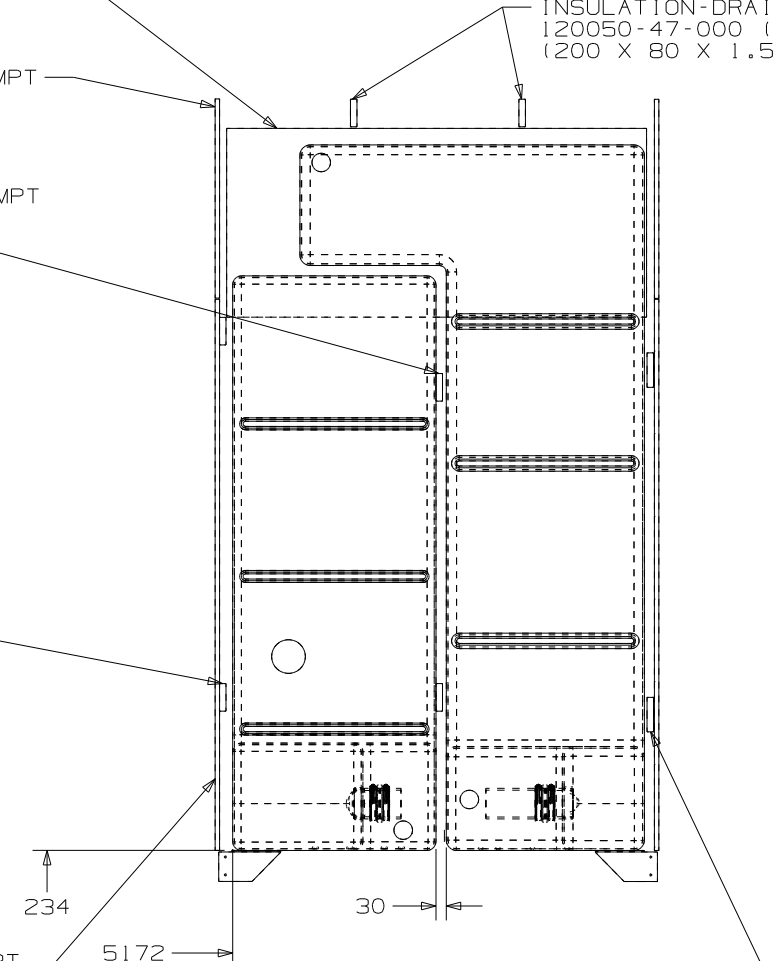
INSULATION-DRAINAGE COMPT
120050-42-000 (2)
(200 X 100 X .75")



TANK-HOLDING
133436-05-000



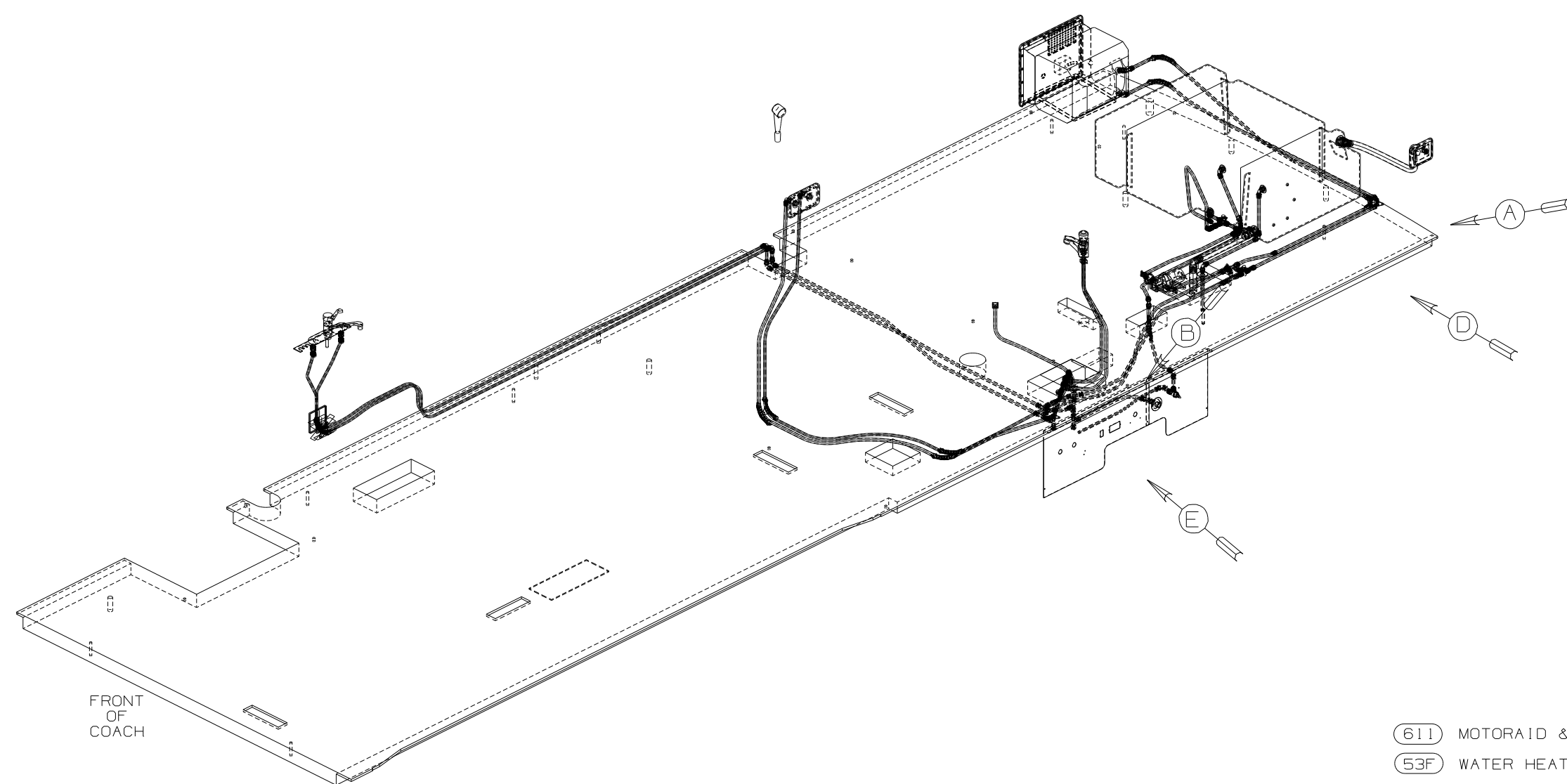
VIEW E



VIEW D

FIRST USED	05 D33L
TITLE	DO NOT SCALE DRAWING
	DRAINAGE SYSTEM INSTL
SHEET 3	PART NO 148756

8 7 6 5 4 3 2



FRONT OF COACH

- (611) MOTORAID & AUX. HEATER
- (53F) WATER HEATER-ELEC. IGNITION
- (64R) EXTERIOR WASH STATION
- (1J4) EXT WASH STATION-WITHOUT

- △10 ADD PIPE WRAP (LADDER SCRAP) INSULATION HERE.
- △9 ADD TEFLON TAPE 10405-03-000.
- △8 LABEL HOT AND COLD SUPPLY TUBES.
- △7 TAPE FITTING TO TUBE BEFORE CABINET SET TO PREVENT FITTING FROM MOVING.
- △6 ADD TEFLON TAPE 10405-01-000.
- △5 ADD TEFLON TAPE 10405-02-000.
- △4 FLUSHING SYSTEM REQUIRES 125697-06-000 INSTRUCTION SHEET.

- 3. ALL TUBING TO BE SECURED AT 1200 INTERVALS MAXIMUM WITH CLAMP 10495-01-000 OR CLIP 9151-01-000 AND SCREW 667-10-12B.
- 2. TUBING TO BE INSTALLED WITH SUFFICIENT SLOPE TO PROVIDE DRAINAGE TO NEAREST VALVE.
- 1. PLASTIC FITTINGS TO BE SEALED WITH SEALANT 84456-01-000.

NOTES:

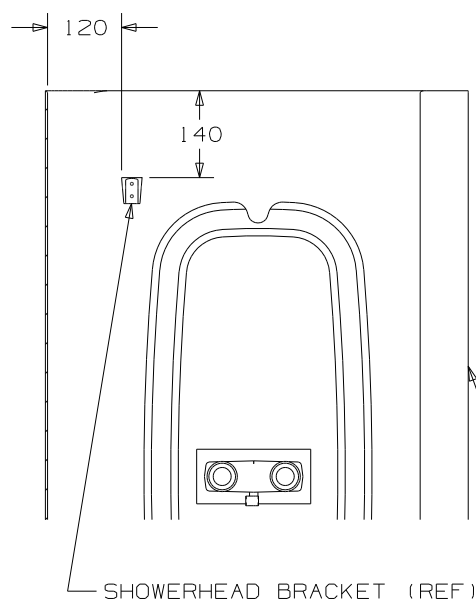
(X-X)
FOR WATER CALLOUTS SEE DWG NO 116230-01-000

WINNEBAGO		COPYRIGHT 2004 WINNEBAGO INDUSTRIES, INC.	
DFTR	ORIG. DATE	ALL DIMENSIONS ARE IN MILLIMETERS	
CHKR		FIRST USED	
P.E.		05 D33L	
M.E.		UNSPECIFIED TOLERANCES ARE:	
DSNR		MATERIAL:	
		WHOLE DIM (X)	: 3
		ONE-PLACE (X.X)	:
		TWO-PLACE (X.XX)	:
		ANGLE	:
THIRD ANGLE PROJECTION		DO NOT SCALE DRAWING	
TITLE: WATER SYSTEM INSTL			
SHEET 1 OF 3		PART NO 148330	

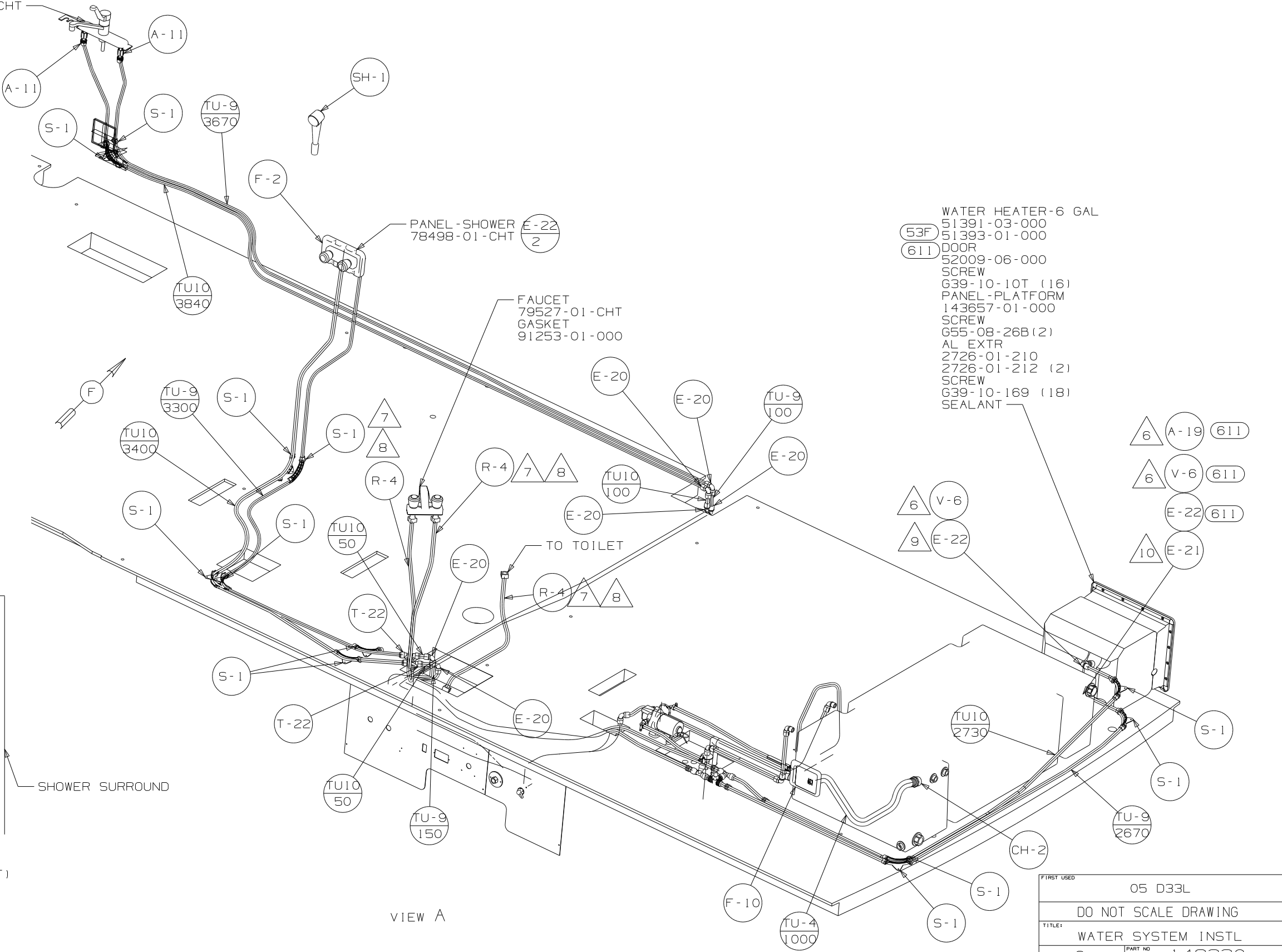
8 7 6 5 4 3 2

FAUCET
149164-01-CHT
BACKING-FAUCET
137079-02-CHT

WATER HEATER-6 GAL
51391-03-000
51393-01-000
DOOR
52009-06-000
SCREW
G39-10-10T (16)
PANEL-PLATFORM
143657-01-000
SCREW
G55-08-26B(2)
AL EXTR
2726-01-210
2726-01-212 (2)
SCREW
G39-10-169 (18)
SEALANT

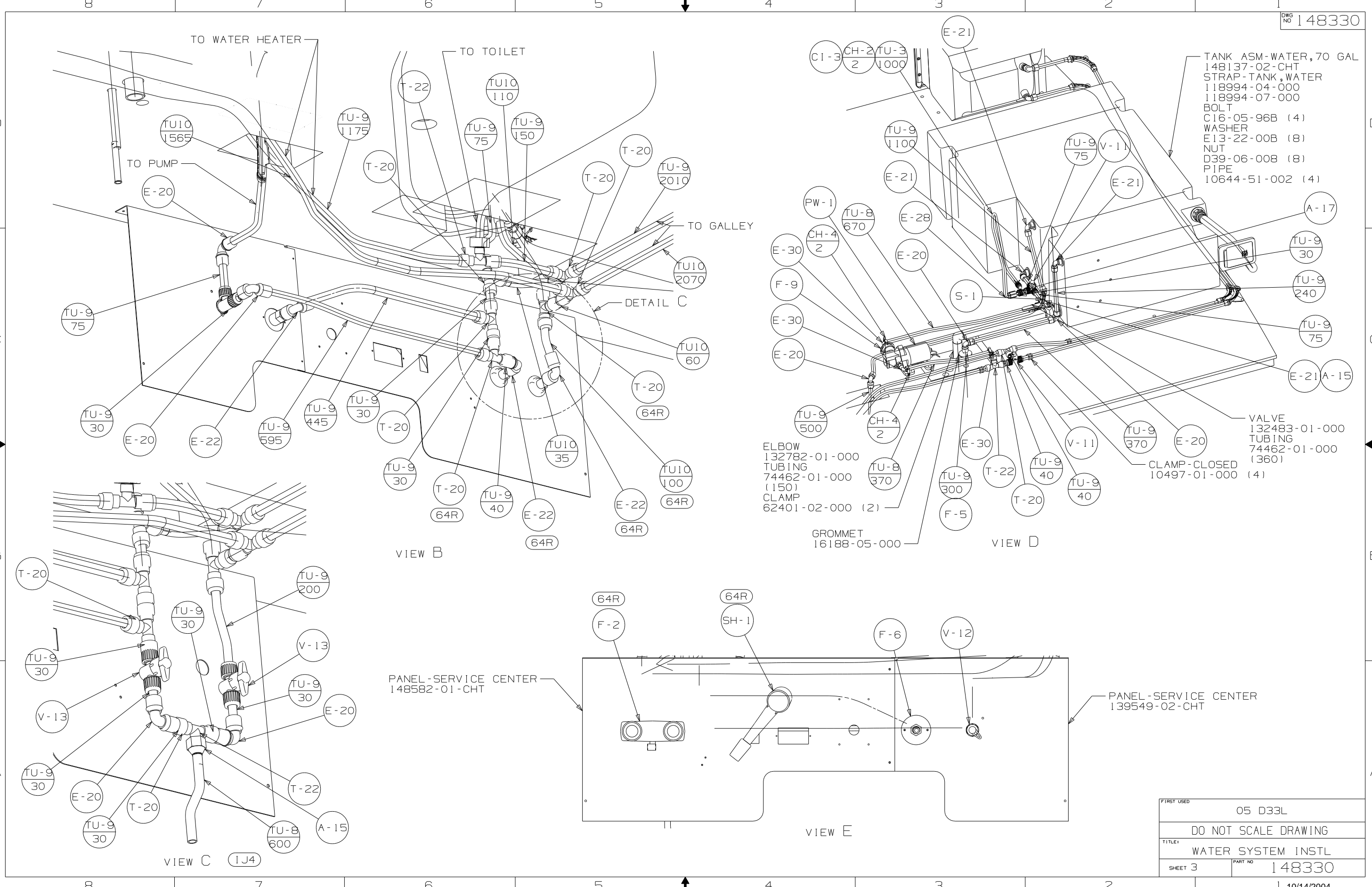


VIEW F



VIEW A

FIRST USED	05 D33L
DO NOT SCALE DRAWING	
TITLE:	WATER SYSTEM INSTL
SHEET 2	PART NO 148330



FIRST USED	05 D33L
TITLE	DO NOT SCALE DRAWING
TITLE	WATER SYSTEM INSTL
SHEET 3	PART NO 148330