



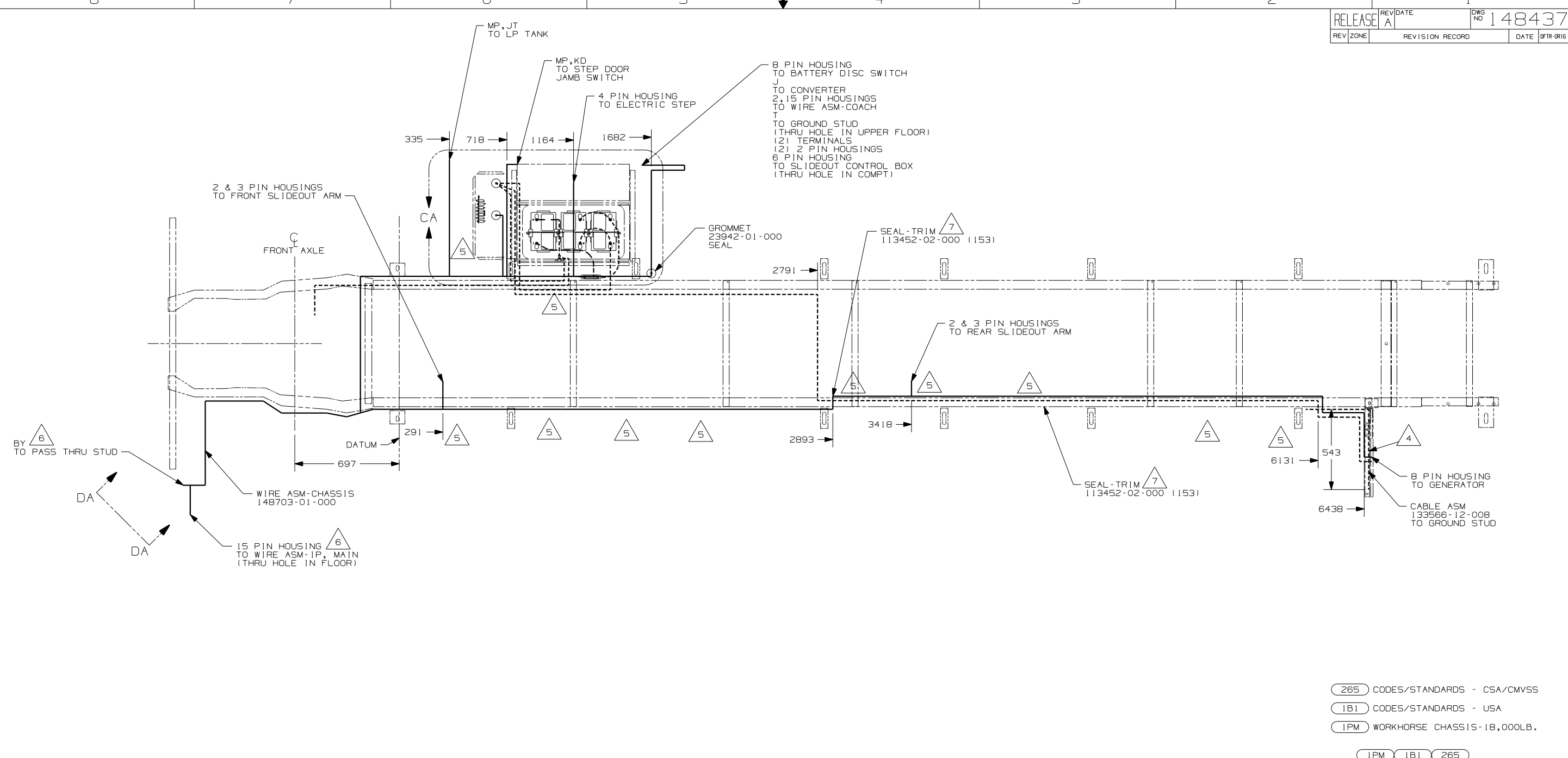
DANGER

Danger of electrical shock, burns or death. Always remove all power sources before attempting any repair, service or diagnostic work. Power can be present from shore power, generator, inverter or battery. All power sources must be disabled and secured before performing any service.



CAUTION

If you lack the skills, tools or equipment to perform diagnostic or repair work leave such work to an authorized Winnebago Industries dealer or other qualified shop.



- COVER SHARP EDGES WHERE WIRE CROSSES FRAME RAIL.
- SEE WIRING INSTL-FRONT END FOR ADDITIONAL INFORMATION.
- CLAMP 83610-01-000, SCREW G11-10-16B.
- WIRE TIE 8343-04-000. FASTEN EVERY 600MM MINIMUM.

3. ALL DIMENSIONS ARE FROM DATUM UNLESS OTHERWISE SPECIFIED.
2. SECURE CONDUIT 41953-01-000, -02, AND -03 OVER ALL WIRES THAT CONTACT SHARP EDGES.
1. LEGEND: — WINNEBAGO, - - - - - CABLE, - - - - - CHASSIS SUPPLIED.

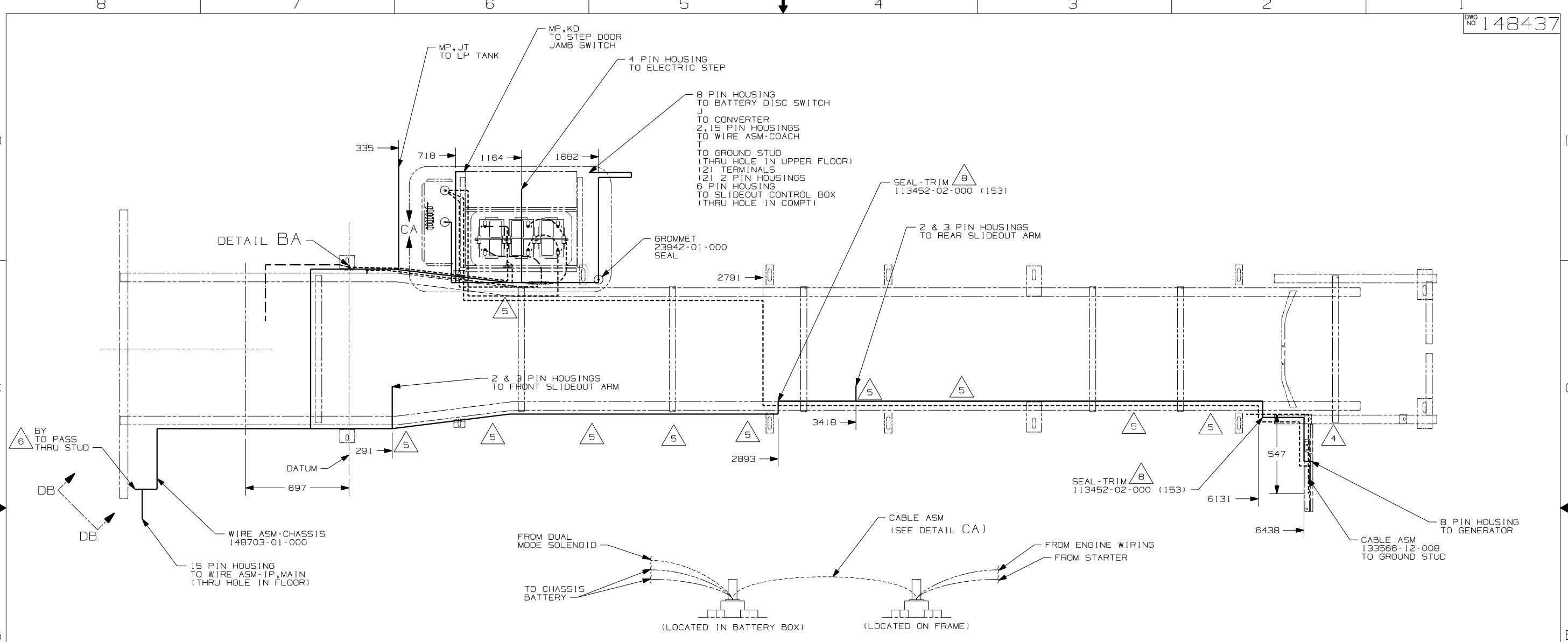
NOTES:

- CODES/STANDARDS - CSA/CMVSS
- CODES/STANDARDS - USA
- WORKHORSE CHASSIS-18,000LB.

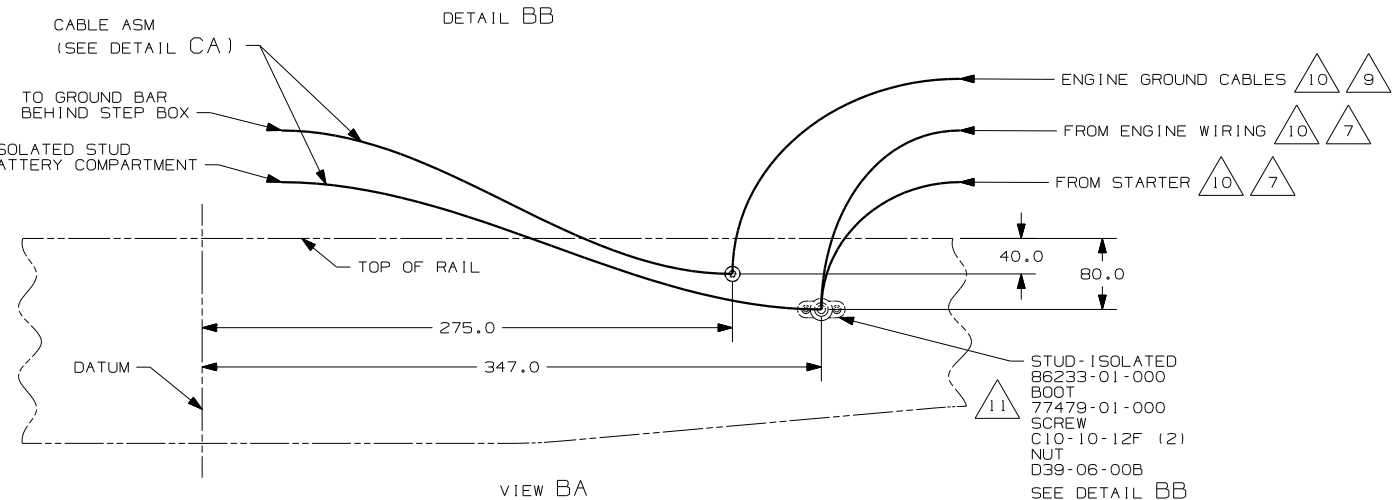
		COPYRIGHT 2004 WINNEBAGO INDUSTRIES, INC.	
DFTR	ORIG. DATE	ALL DIMENSIONS ARE IN MILLIMETERS	
CHKR		FIRST USED	
P.E.		05 D30B	
M.E.		UNSPECIFIED TOLERANCES ARE:	
DSNR		MATERIAL:	
		WHOLE DIM (X)	: 1
		ONE-PLACE (X.X)	: 1.5
		TWO-PLACE (X.XX)	: 0.50
		ANGLE	: 1°
		THIRD ANGLE PROJECTION	
DO NOT SCALE DRAWING			
TITLE: WIRING INSTL-CHASSIS			
SHEET 1 of 4		PART NO 148437	
REF: 144669 04/22/2004			

FOR ELECTRICAL
TORQUE
SPECIFICATIONS
SEE DWG NO.
128783-01-000

FOR
ELECTRICAL
CALLOUTS
SEE DWG NO.
121339-01-000



- 11 PLACE BOOT ON WITH SLIT END FACING THE REAR OF THE VEHICLE.
- 10 SUPPLIED WITH CHASSIS
- 9 CUT 4 & 6 GA CABLES 400MM FROM BATTERY TERMINAL, ADD TERMINALS 8331-01-000 (2) TO 4 GA AND TERMINAL 8350-01-000 (2) TO 6 GA CABLE CONNECT ALL 4 TERMINALS TO ISOLATED STUD AS SHOWN. DO NOT CUT 14 GA RED WIRE.
- 8 COVER SHARP EDGES WHERE WIRE CROSSES FRAME RAILS.
- 7 CUT 14 GA WIRE, 6 & 4 GA CABLES 50MM FROM BATTERY TERMINAL, ADD TERMINAL 8331-01-000 (2) TO 4 GA CABLES AND TERMINAL 8350-01-000 (2) TO 14 & 16 GA CABLES. CONNECT TERMINALS TO ISOLATED STUDS AS SHOWN IN DETAIL.
- 6 SEE WIRING INSTL-FRONT END FOR ADDITIONAL INFORMATION.
- 5 CLAMP 83610-01-000, SCREW G11-10-16B.
- 4 WIRE TIE 8343-04-000. FASTEN EVERY 600MM MINIMUM.



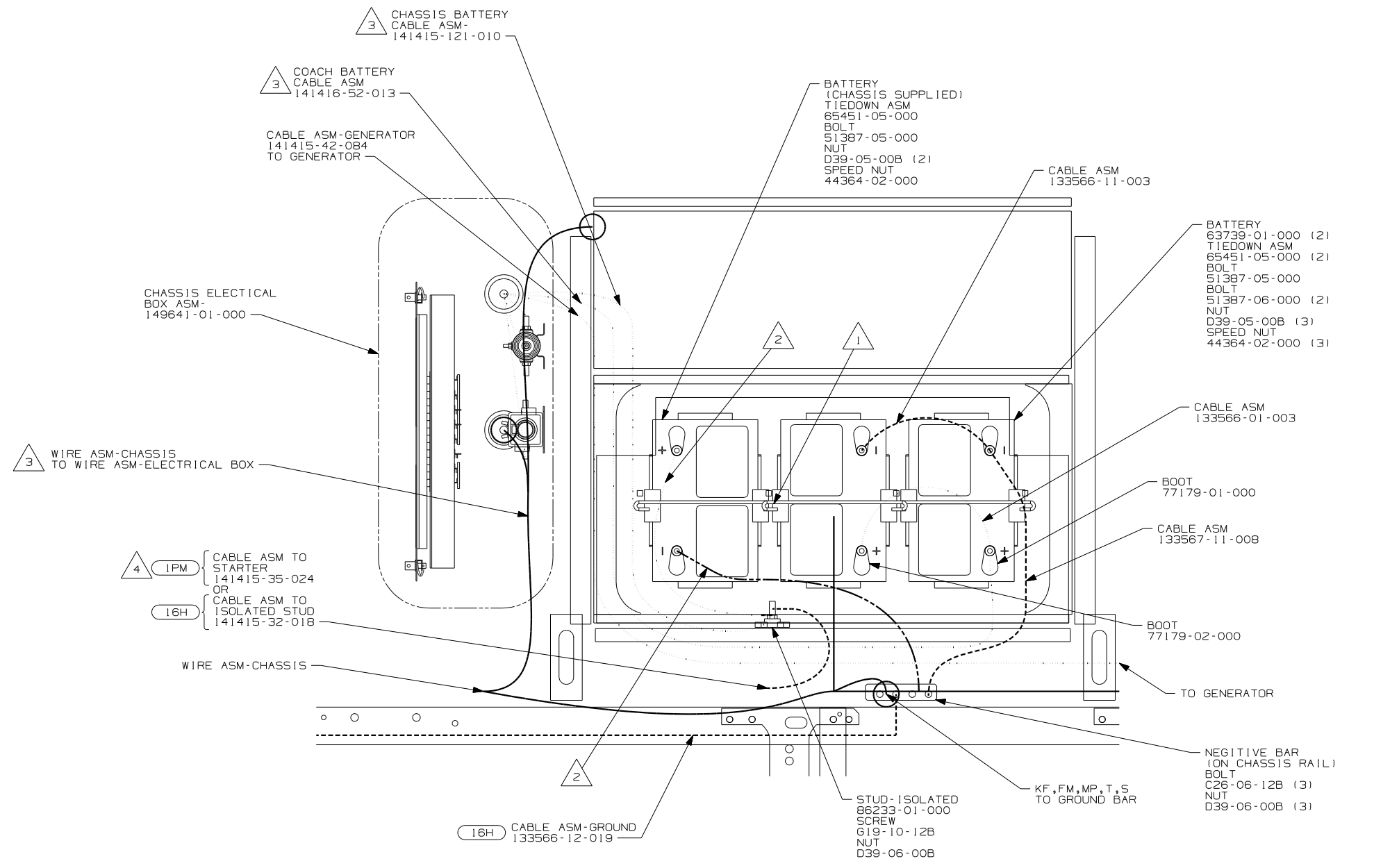
3. ALL DIMENSIONS ARE FROM DATUM UNLESS OTHERWISE SPECIFIED.
2. SECURE CONDUIT 41953-01-000, -02, AND -03 OVER ALL WIRES THAT CONTACT SHARP EDGES.
1. LEGEND: — WINNEBAGO, - - - - CABLE, - - - - CHASSIS SUPPLIED.

- 265 CODES/STANDARDS - CSA/CMVSS
- 16H FORD CHASSIS 18,000#/V10
- 1B1 CODES/STANDARDS - USA

FOR ELECTRICAL TORQUE SPECIFICATIONS SEE DWG NO. 128783-01-000

FOR ELECTRICAL CALLOUTS SEE DWG NO. 121339-01-000

FIRST USED	05 D30B
TITLE	DO NOT SCALE DRAWING
TITLE	WIRING INSTL-CHASSIS
SHEET 2	PART NO 148437



DETAIL CA

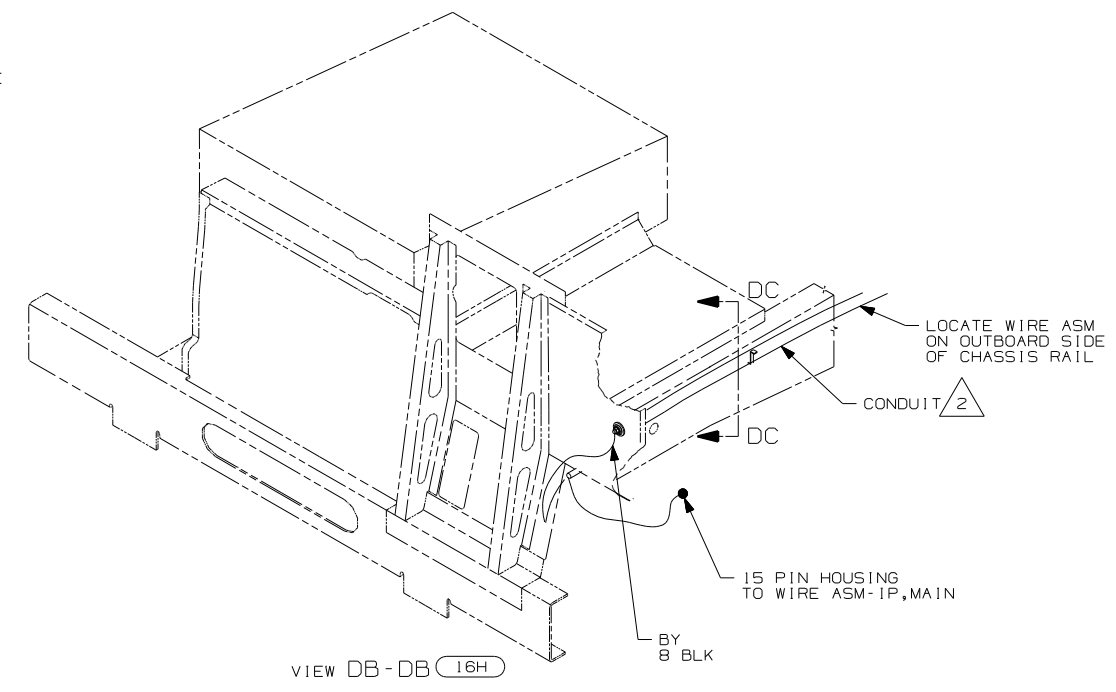
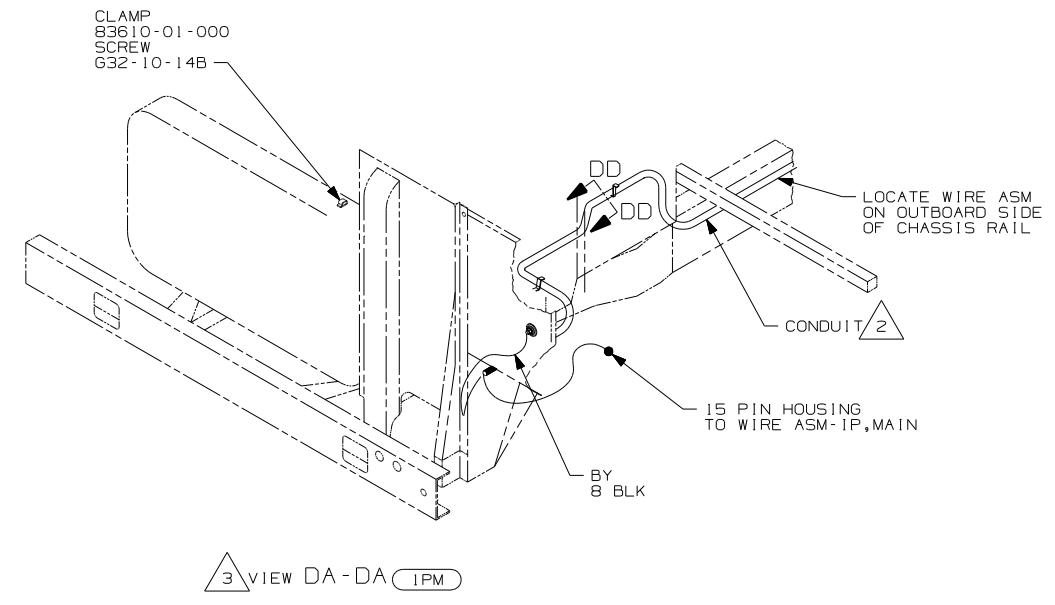
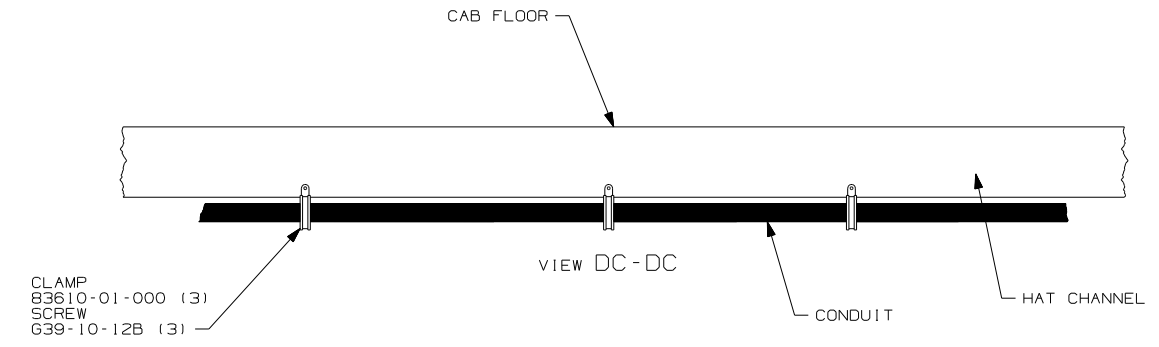
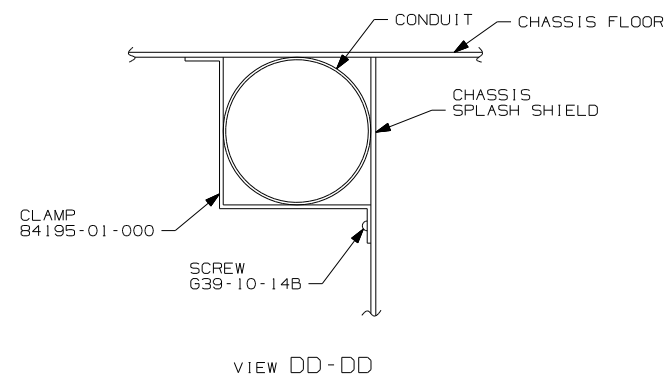
- NOTES:**
- 4 BATTERY CABLES MUST BE INSTALLED TO STARTER MOTOR BEFORE ENGINE WIRING HARNESS AND ROUTED IN SUCH A MANNER AS TO PREVENT ANY POSSIBLE DEGRADATION FROM THE EXHAUST SYSTEM.
 - 3 SEE CHASSIS ELECTRICAL BOX FOR ADDITIONAL INFORMATION.
 - 2 TRIM CABLE TO 500MM, ADD TERMINALS 8348-01-000 (2), INCLUDE ALL SMALL GROUND WIRES.
 - 1 USE TWO NUTS HERE TO ACCOUNT FOR BATTERY HEIGHT DIFFERENCE.

- 16H FORD CHASSIS 18,000#/V10 ENG
- 1PM WORKHORSE CHASSIS-18,000LB.
- 265 CODES/STANDARDS-CSA/CMVSS
- 1B1 CODES/STANDARDS USA

FIRST USED	
05 D30B	
DO NOT SCALE DRAWING	
TITLE: WIRING INSTL-CHASSIS	
SHEET 3	PART NO 148437

FOR ELECTRICAL TORQUE SPECIFICATIONS SEE DWG NO. 128783-01-000

FOR ELECTRICAL CALLOUTS SEE DWG NO. 121339-01-000



- NOTES:
- CUT OFF EXCESS END OF WIRE TIE.
 - COVER WITH CONDUIT 41953-10-000 AND 41953-11-000 AS REQUIRED.
 - ALL GROUND WIRE TO BE COVERED WITH TUBING 8041-02-000.
 - CONNECT CABLES TO COACH SIDE OF BATTERY DISCONNECT WHEN BATTERY DISCONNECT IS USED.

- (1PM) WORKHORSE CHASSIS-18,000LB
- (16H) FORD CHASSIS 18,000#V10 ENG
- (265) CODES/STANDARDS-CSA/CMVSS
- (1B1) CODES/STANDARDS USA

FOR ELECTRICAL TORQUE SPECIFICATIONS SEE DWG NO. 128783-01-000

FOR ELECTRICAL CALLOUTS SEE DWG NO. 121339-01-000

FIRST USED	05 D30B
TITLE	DO NOT SCALE DRAWING
	WIRING INSTL-CHASSIS
SHEET 4	PART NO 148437