



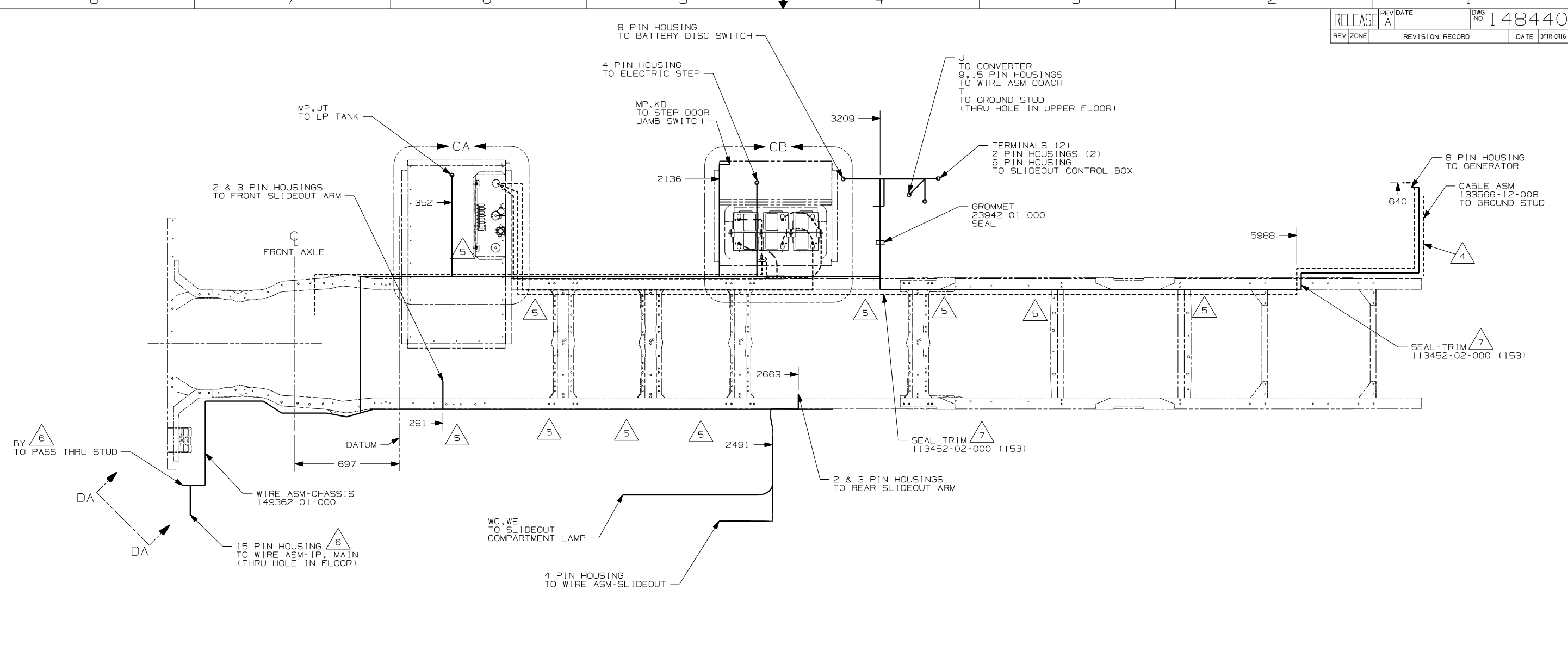
**DANGER**

**Danger of electrical shock, burns or death.** Always remove all power sources before attempting any repair, service or diagnostic work. Power can be present from shore power, generator, inverter or battery. All power sources must be disabled and secured before performing any service.



**CAUTION**

If you lack the skills, tools or equipment to perform diagnostic or repair work leave such work to an authorized Winnebago Industries dealer or other qualified shop.

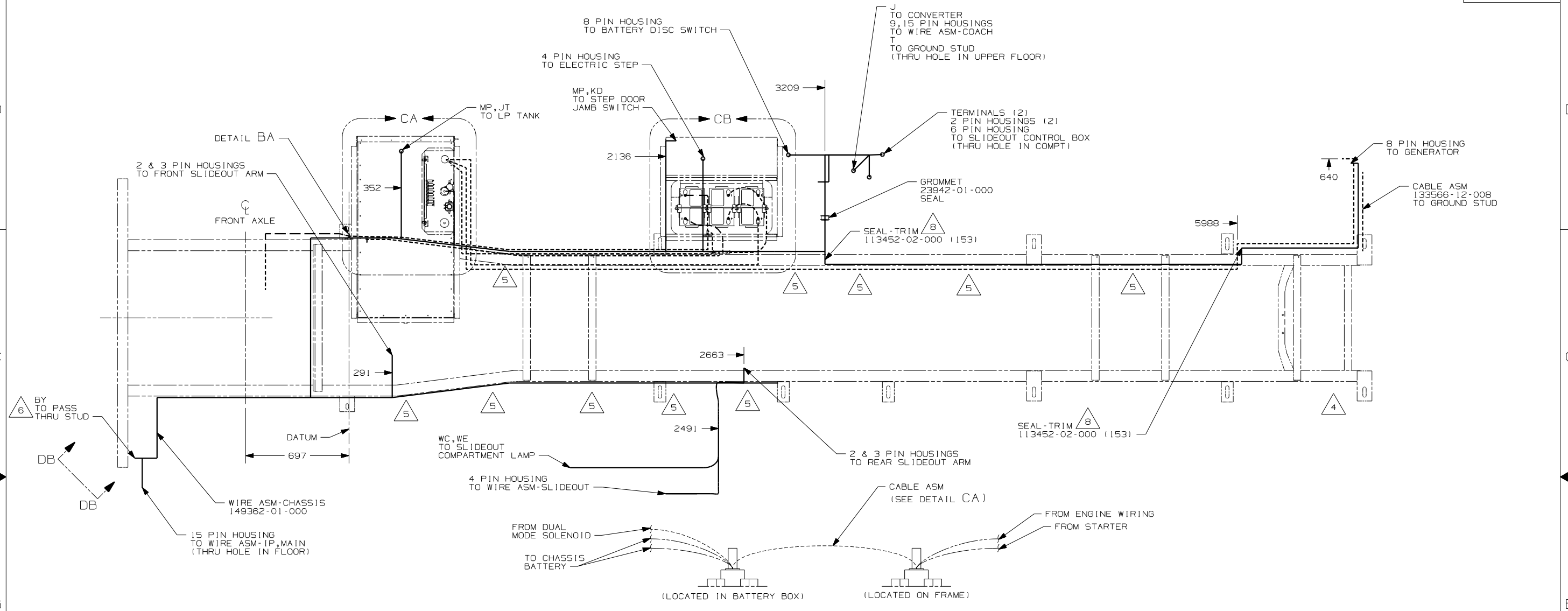


(265) CODES/STANDARDS - CSA/CMVSS  
 (1B1) CODES/STANDARDS - USA  
 (1PM) WORKHORSE CHASSIS-18,000LB.  
 (1PM) (1B1) (265)

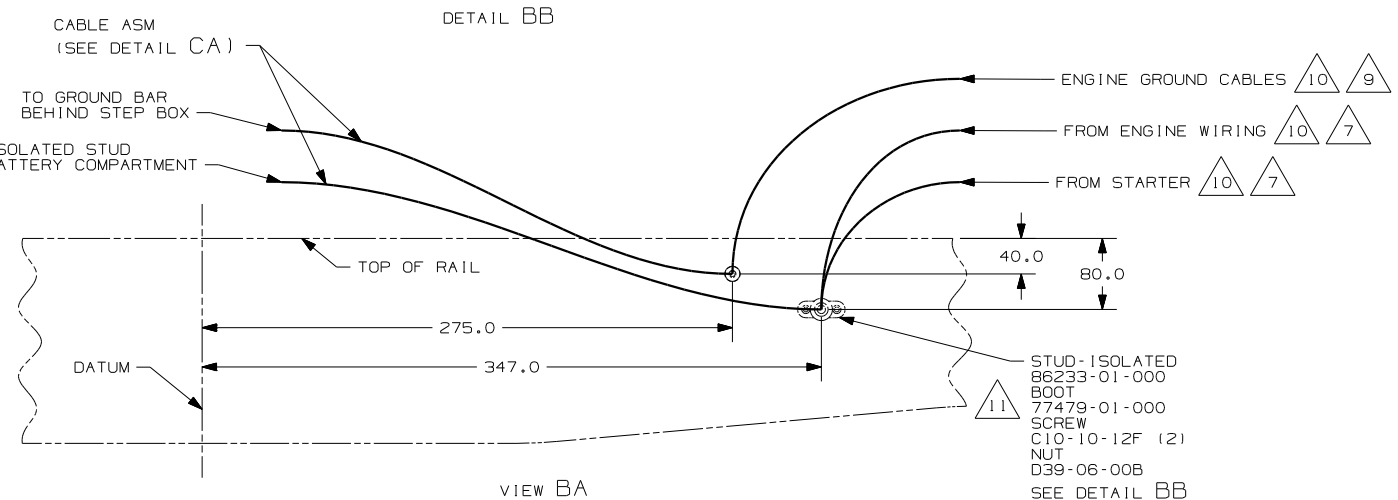
WINNEBAGO INDUSTRIES, INC. COPYRIGHT 2004  
 ALL DIMENSIONS ARE IN MILLIMETERS  
 05 D29R  
 DO NOT SCALE DRAWING  
 WIRING INSTL-CHASSIS  
 SHEET 1 OF 4 PART NO 148440  
 REF: 148437 1 9/20/2004

- 7 COVER SHARP EDGES WHERE WIRE CROSSES FRAME RAIL.  
 6 SEE WIRING INSTL-FRONT END FOR ADDITIONAL INFORMATION.  
 5 CLAMP 83610-01-000, SCREW G11-10-16B.  
 4 WIRE TIE 8343-04-000. FASTEN EVERY 600MM MINIMUM.  
 3. ALL DIMENSIONS ARE FROM DATUM UNLESS OTHERWISE SPECIFIED.  
 2. SECURE CONDUIT 41953, TAB AS REQUIRED, OVER ALL WIRES IN CONTACT WITH SHARP EDGES.  
 1. LEGEND: \_\_\_\_\_ WINNEBAGO; ----- CABLE; - - - - - CHASSIS SUPPLIED WIRING.

FOR ELECTRICAL TORQUE SPECIFICATIONS SEE DWG NO. 128783-01-000  
 FOR ELECTRICAL CALLOUTS SEE DWG NO. 121339-01-000



- △11 PLACE BOOT ON WITH SLIT END FACING THE REAR OF THE VEHICLE.
  - △10 SUPPLIED WITH CHASSIS
  - △9 CUT 4 & 6 GA CABLES 400MM FROM BATTERY TERMINAL, ADD TERMINALS 8331-01-000 (2) TO 4 GA AND TERMINAL 8350-01-000 (2) TO 6 GA CABLE. CONNECT ALL 4 TERMINALS TO ISOLATED STUD AS SHOWN. DO NOT CUT 14 GA RED WIRE.
  - △8 COVER SHARP EDGES WHERE WIRE CROSSES FRAME RAILS.
  - △7 CUT 14 GA WIRE, 6 & 4 GA CABLES 50MM FROM BATTERY TERMINAL, ADD TERMINAL 8331-01-000 (2) TO 4 GA CABLES AND TERMINAL 8350-01-000 (2) TO 14 & 16 GA CABLES. CONNECT TERMINALS TO ISOLATED STUDS AS SHOWN IN DETAIL.
  - △6 SEE WIRING INSTL-FRONT END FOR ADDITIONAL INFORMATION.
  - △5 CLAMP 83610-01-000, SCREW G11-10-16B.
  - △4 WIRE TIE 8343-04-000. FASTEN EVERY 600MM MINIMUM.
3. ALL DIMENSIONS ARE FROM DATUM UNLESS OTHERWISE SPECIFIED.
2. SECURE CONDUIT 41953, TAB AS REQUIRED, OVER ALL WIRES IN CONTACT WITH SHARP EDGES.
1. LEGEND: — WINNEBAGO: - - - - - CABLE: - - - - - CHASSIS SUPPLIED WIRING.

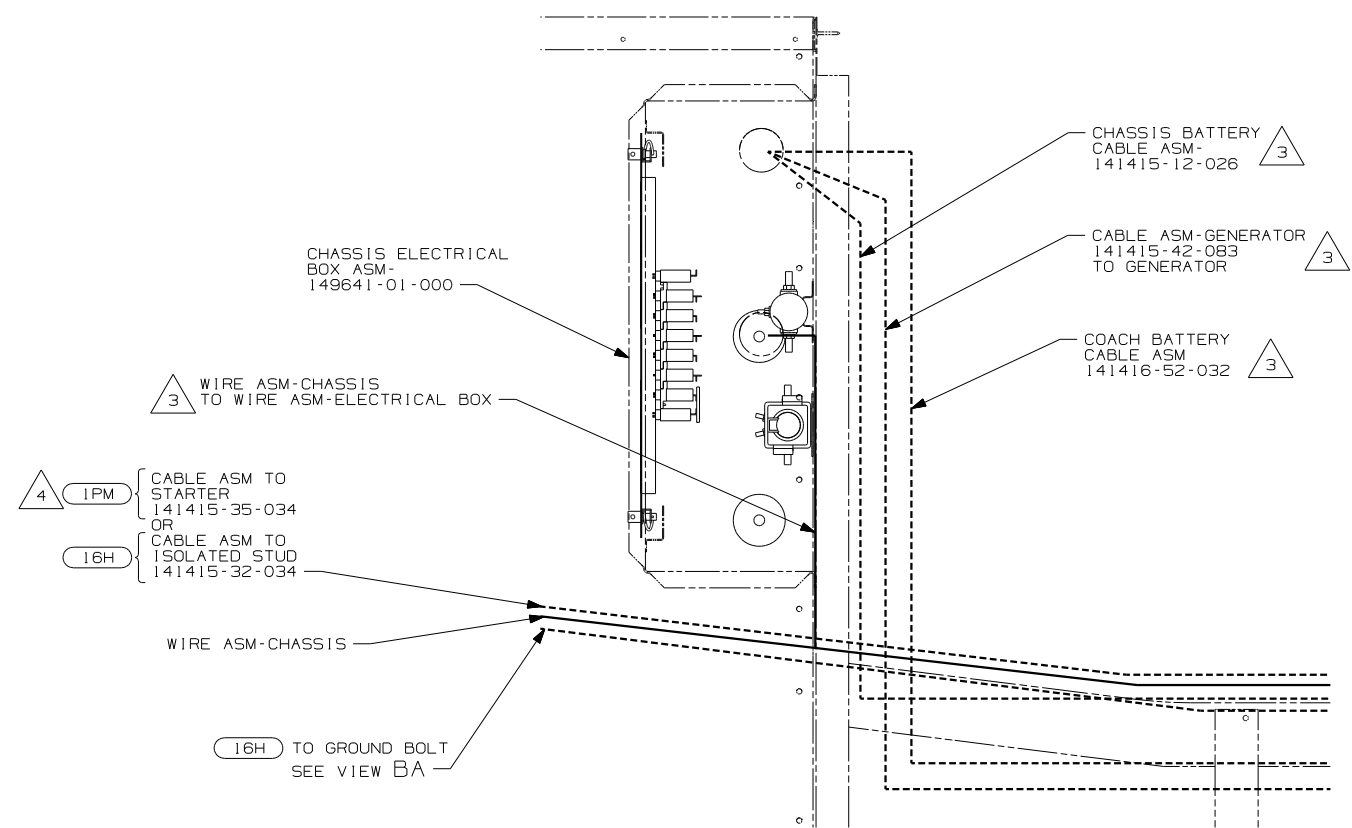


- △265 CODES/STANDARDS - CSA/CMVSS
- △16H FORD CHASSIS 18,000#/V10
- △1B1 CODES/STANDARDS - USA

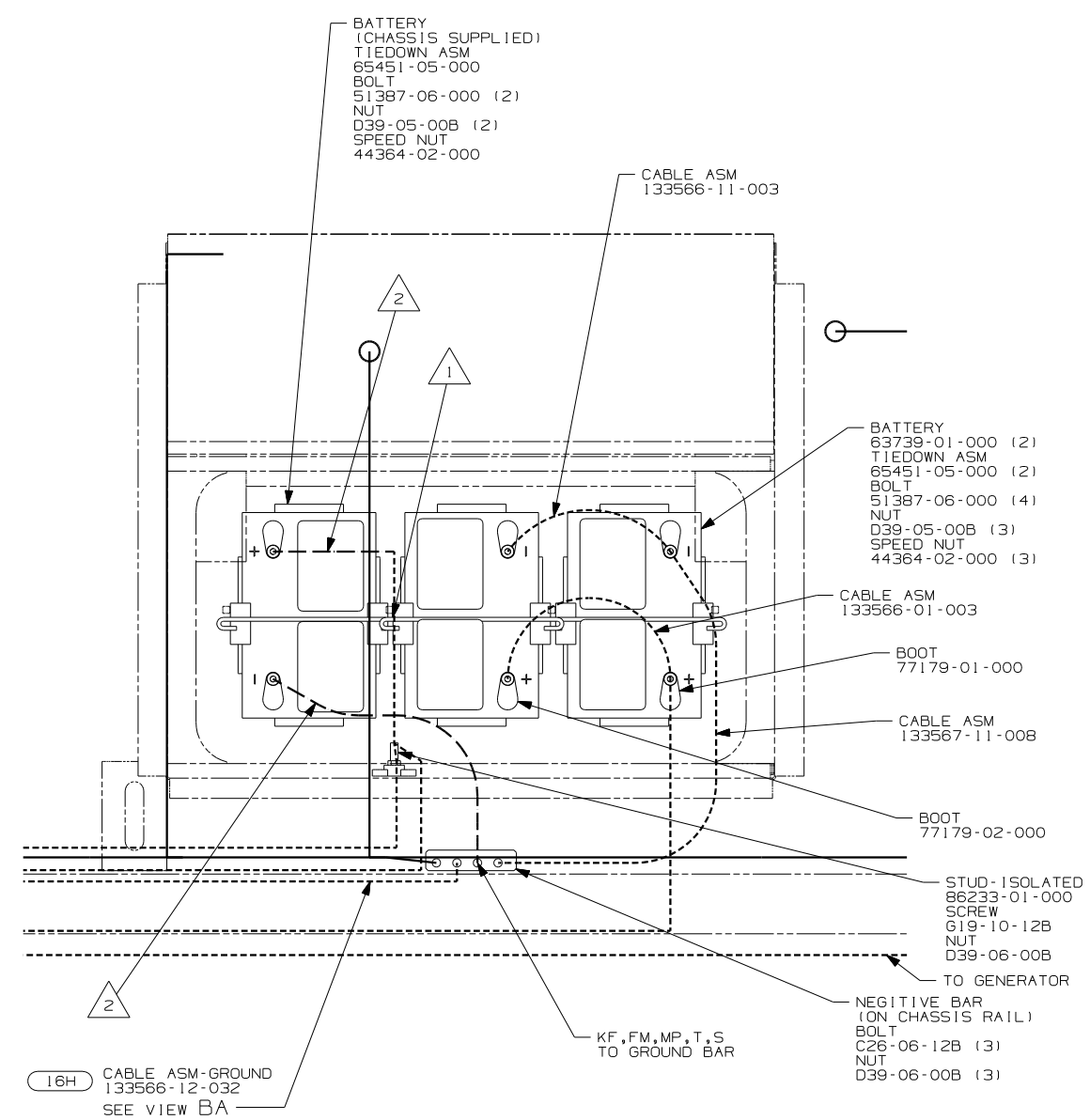
FOR ELECTRICAL TORQUE SPECIFICATIONS SEE DWG NO. 128783-01-000

FOR ELECTRICAL CALLOUTS SEE DWG NO. 121339-01-000

FIRST USED	05 D29R
TITLE	DO NOT SCALE DRAWING
TITLE	WIRING INSTL-CHASSIS
SHEET 2	PART NO 148440



DETAIL CA



DETAIL CB

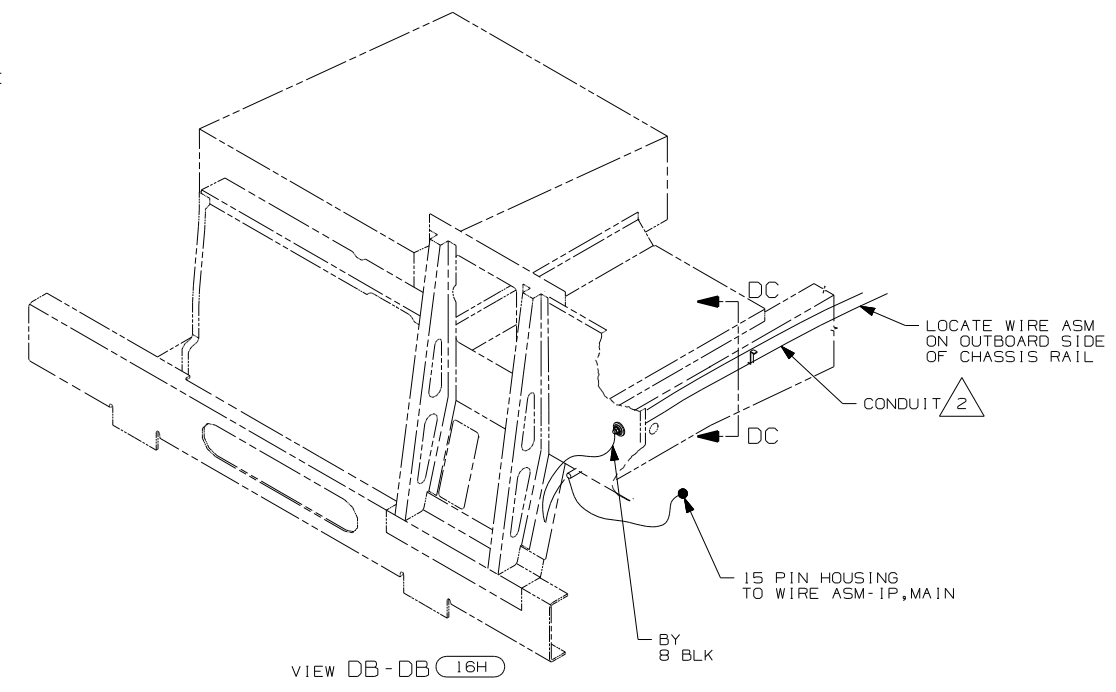
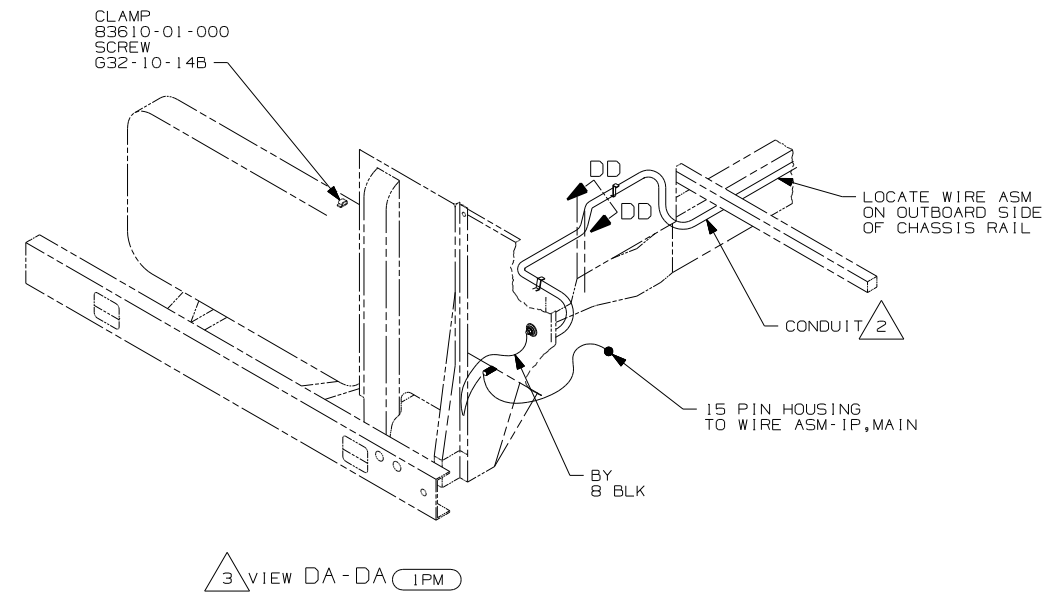
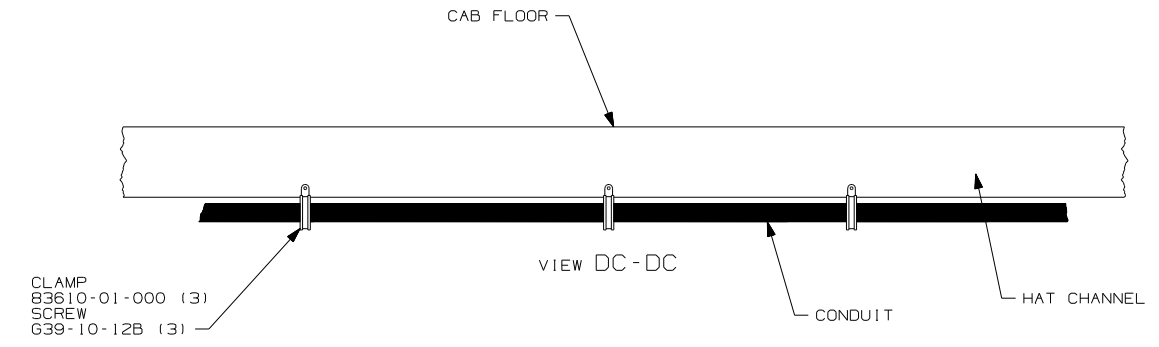
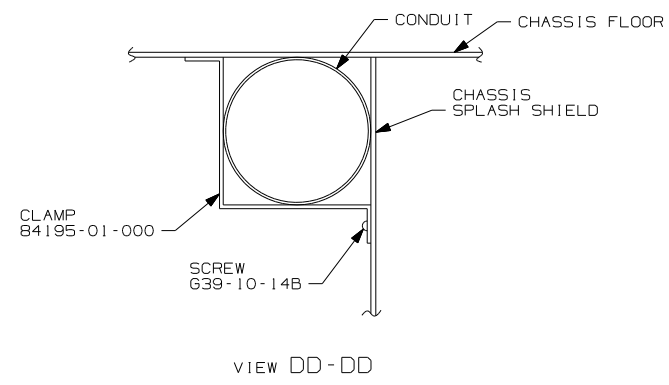
- NOTES:
- (4) BATTERY CABLES MUST BE INSTALLED TO STARTER MOTOR BEFORE ENGINE WIRING HARNESS AND ROUTED IN SUCH A MANNER AS TO PREVENT ANY POSSIBLE DEGRADATION FROM THE EXHAUST SYSTEM.
  - (3) SEE CHASSIS ELECTRICAL BOX FOR ADDITIONAL INFORMATION.
  - (2) TRIM CABLE TO 500MM, ADD TERMINALS 8348-01-000 (2), INCLUDE ALL SMALL GROUND WIRES.
  - (1) USE TWO NUTS HERE TO ACCOUNT FOR BATTERY HEIGHT DIFFERENCE.

- (16H) FORD CHASSIS 18,000#/V10 ENG
- (1PM) WORKHORSE CHASSIS-18,000LB.
- (265) CODES/STANDARDS-CSA/CMVSS
- (1B1) CODES/STANDARDS USA

FOR ELECTRICAL TORQUE SPECIFICATIONS SEE DWG NO. 128783-01-000

(X-X) FOR ELECTRICAL CALLOUTS SEE DWG NO. 121339-01-000

FIRST USED	05 D29R
TITLE	DO NOT SCALE DRAWING
	WIRING INSTL-CHASSIS
SHEET 3	PART NO 148440



- NOTES:
- CUT OFF EXCESS END OF WIRE TIE.
  - COVER WITH CONDUIT 41953-10-000 AND 41953-11-000 AS REQUIRED.
  - ALL GROUND WIRE TO BE COVERED WITH TUBING 8041-02-000.
  - CONNECT CABLES TO COACH SIDE OF BATTERY DISCONNECT WHEN BATTERY DISCONNECT IS USED.

- (IPM) WORKHORSE CHASSIS-18,000LB.
- (16H) FORD CHASSIS 18,000#/V10 ENG
- (265) CODES/STANDARDS-CSA/CMVSS
- (1B1) CODES/STANDARDS USA

FOR ELECTRICAL TORQUE SPECIFICATIONS SEE DWG NO. 128783-01-000

(X-X)  
FOR ELECTRICAL CALLOUTS SEE DWG NO. 121339-01-000

FIRST USED	05 D29R
TITLE	DO NOT SCALE DRAWING
	WIRING INSTL-CHASSIS
SHEET 4	PART NO 148440