



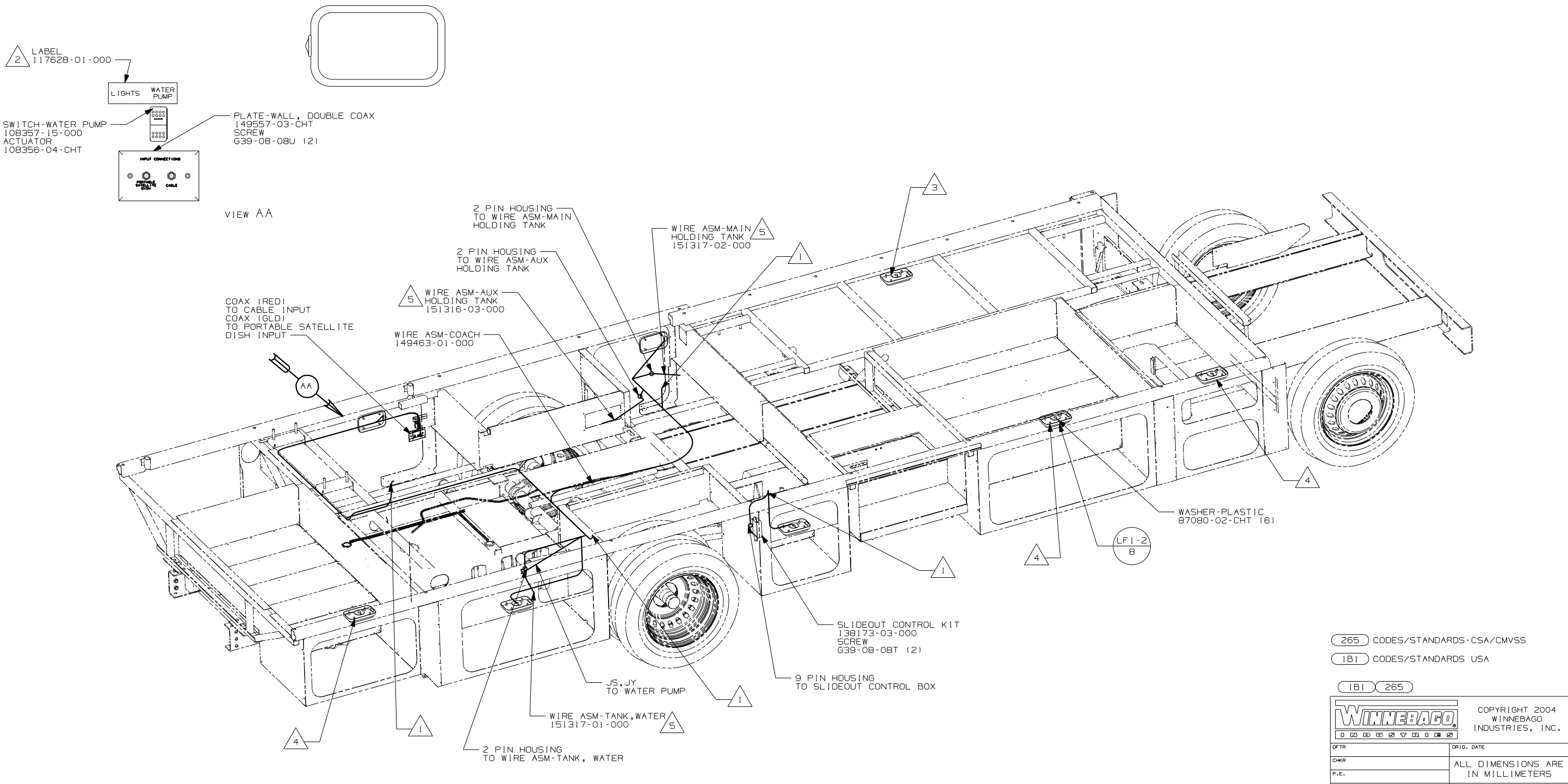
**DANGER**

**Danger of electrical shock, burns or death.** Always remove all power sources before attempting any repair, service or diagnostic work. Power can be present from shore power, generator, inverter or battery. All power sources must be disabled and secured before performing any service.



**CAUTION**

If you lack the skills, tools or equipment to perform diagnostic or repair work leave such work to an authorized Winnebago Industries dealer or other qualified shop.



- 5 PLACE CROSS LOCATOR ON SENSORS OVER DIMPLES ON TANK.
- 4 WIRE ROUTED IN FLOOR.
- 3 SEE WIRING INSTL-CHASSIS FOR WIRING INFORMATION.
- 2 CUT LABEL IN HALF AND USE PORTION THAT READS 'WATER PUMP'.
- 1 WIRE ASM-COACH PASSES THROUGH FLOOR IN THIS AREA.

6. ALL WIRES TO BE SECURED WITH CLAMP 10495 OR 10497 OR WIRE TIE 8343 OR 108046 EVERY 600MM, USE SCREW G67-XX-XXX OR G56-XX-XXX AS APPROPRIATE FOR INSTALLATION.

FOR ELECTRICAL TORQUE SPECIFICATIONS SEE DWG NO. 128783-01-000

FOR ELECTRICAL CALLOUTS SEE DWG NO. 121339-01-000

- 265 CODES/STANDARDS-CSA/CMVSS
- 1B1 CODES/STANDARDS USA
- 1B1 265

**WINNEBAGO** COPYRIGHT 2004 WINNEBAGO INDUSTRIES, INC.

DFTR	ORIG. DATE
CHKR	ALL DIMENSIONS ARE IN MILLIMETERS
P.E.	
M.E.	FIRST USED
DSNR	05 D29R

UNSPECIFIED TOLERANCES ARE: MATERIAL:

WHOLE DIM (X)	:	
ONE-PLACE (X.X)	:	
TWO-PLACE (X.XX)	:	
ANGLE	:	

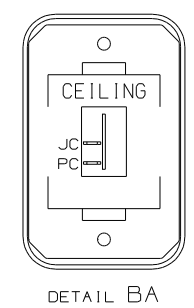
THIRD ANGLE PROJECTION

**DO NOT SCALE DRAWING**

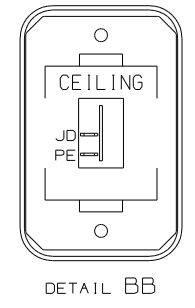
TITLE: WIRING INSTL-BODY, 12V

SHEET 1 OF 4 PART NO 148431

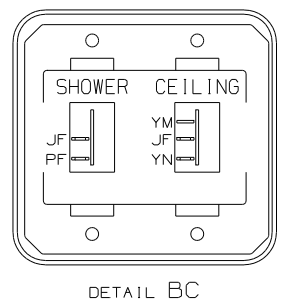
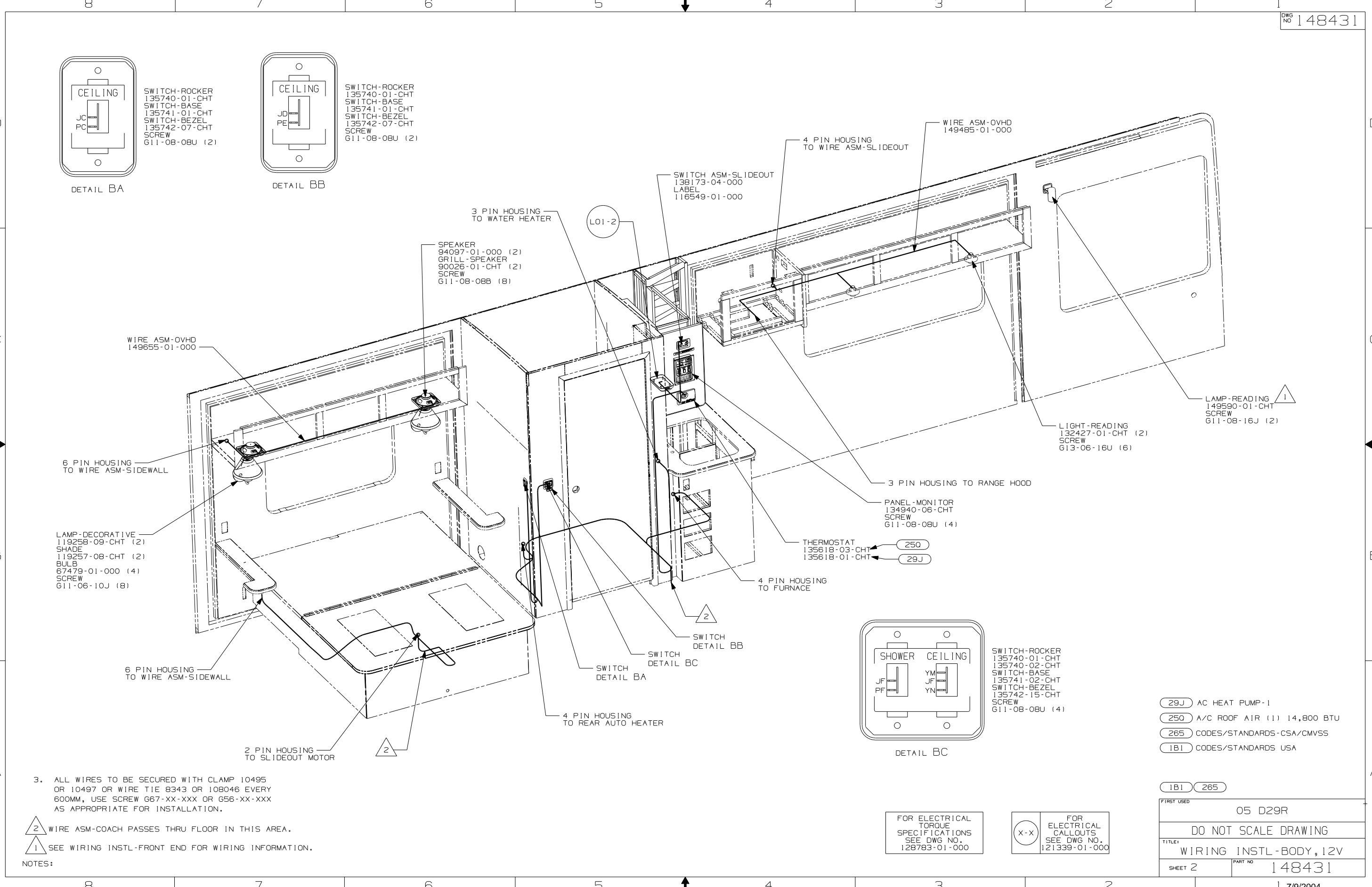
REF: 1 7/9/2004



SWITCH-ROCKER  
135740-01-CHT  
SWITCH-BASE  
135741-01-CHT  
SWITCH-BEZEL  
135742-07-CHT  
SCREW  
G11-08-08U (2)



SWITCH-ROCKER  
135740-01-CHT  
SWITCH-BASE  
135741-01-CHT  
SWITCH-BEZEL  
135742-07-CHT  
SCREW  
G11-08-08U (2)



SWITCH-ROCKER  
135740-01-CHT  
135740-02-CHT  
SWITCH-BASE  
135741-02-CHT  
SWITCH-BEZEL  
135742-15-CHT  
SCREW  
G11-08-08U (4)

- (29J) AC HEAT PUMP-1
- (250) A/C ROOF AIR (1) 14,800 BTU
- (265) CODES/STANDARDS-CSA/CMVSS
- (1B1) CODES/STANDARDS USA

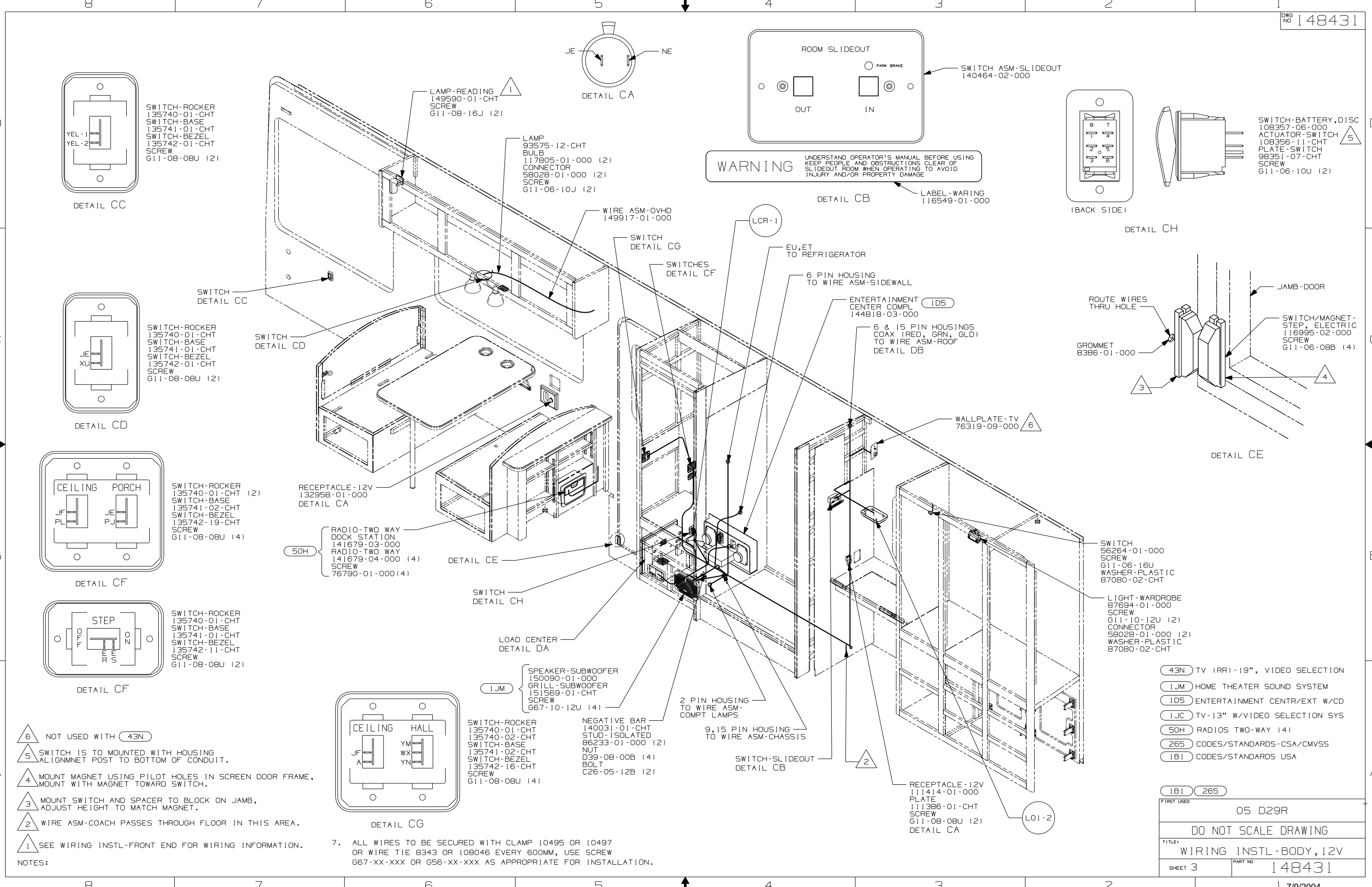
3. ALL WIRES TO BE SECURED WITH CLAMP 10495 OR 10497 OR WIRE TIE 8343 OR 108046 EVERY 600MM, USE SCREW G67-XX-XXX OR G56-XX-XXX AS APPROPRIATE FOR INSTALLATION.

2 WIRE ASM-COACH PASSES THRU FLOOR IN THIS AREA.  
1 SEE WIRING INSTL-FRONT END FOR WIRING INFORMATION.

FOR ELECTRICAL TORQUE SPECIFICATIONS SEE DWG NO. 128783-01-000

FOR ELECTRICAL CALLOUTS SEE DWG NO. 121339-01-000

FIRST USED	05 D29R
DO NOT SCALE DRAWING	
TITLE:	WIRING INSTL-BODY, 12V
SHEET 2	PART NO 148431



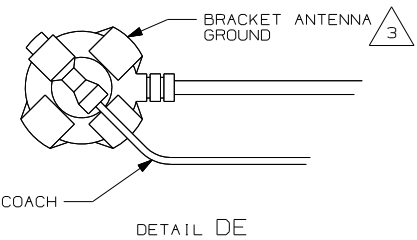
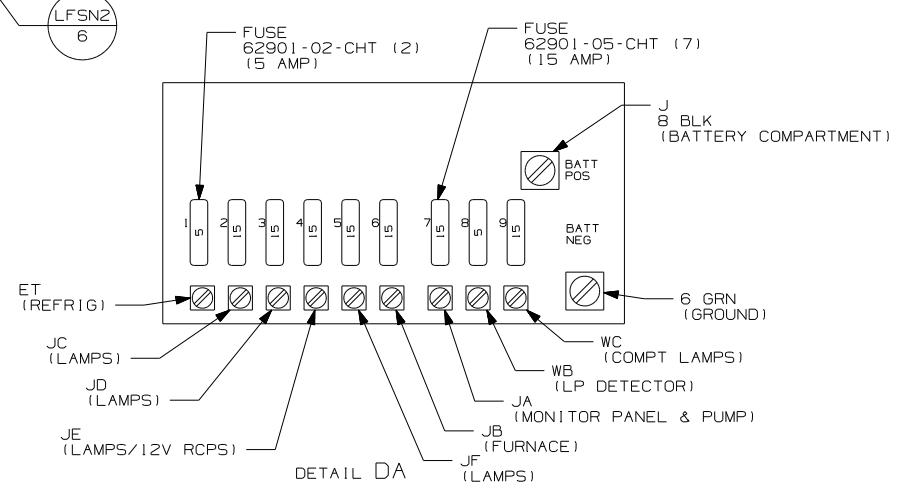
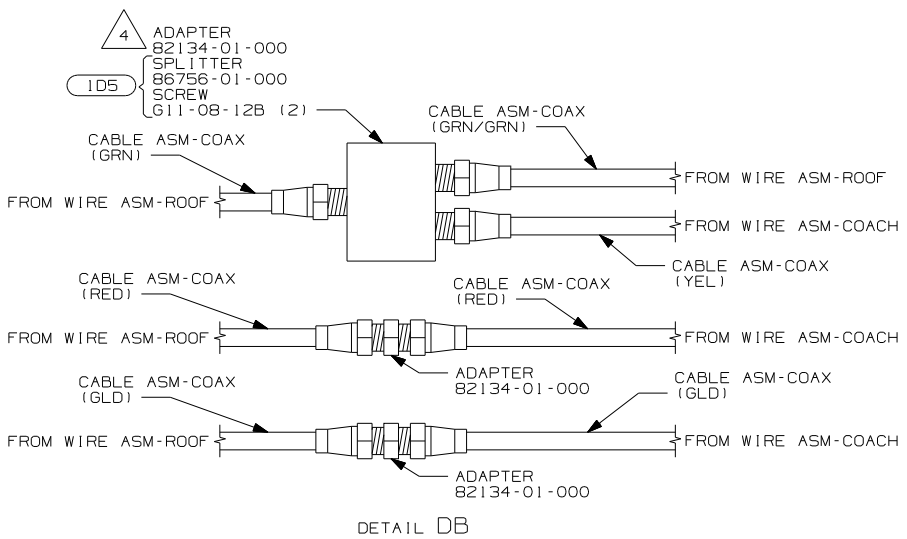
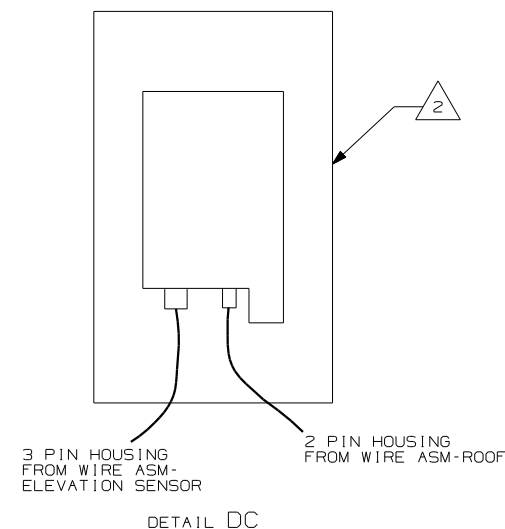
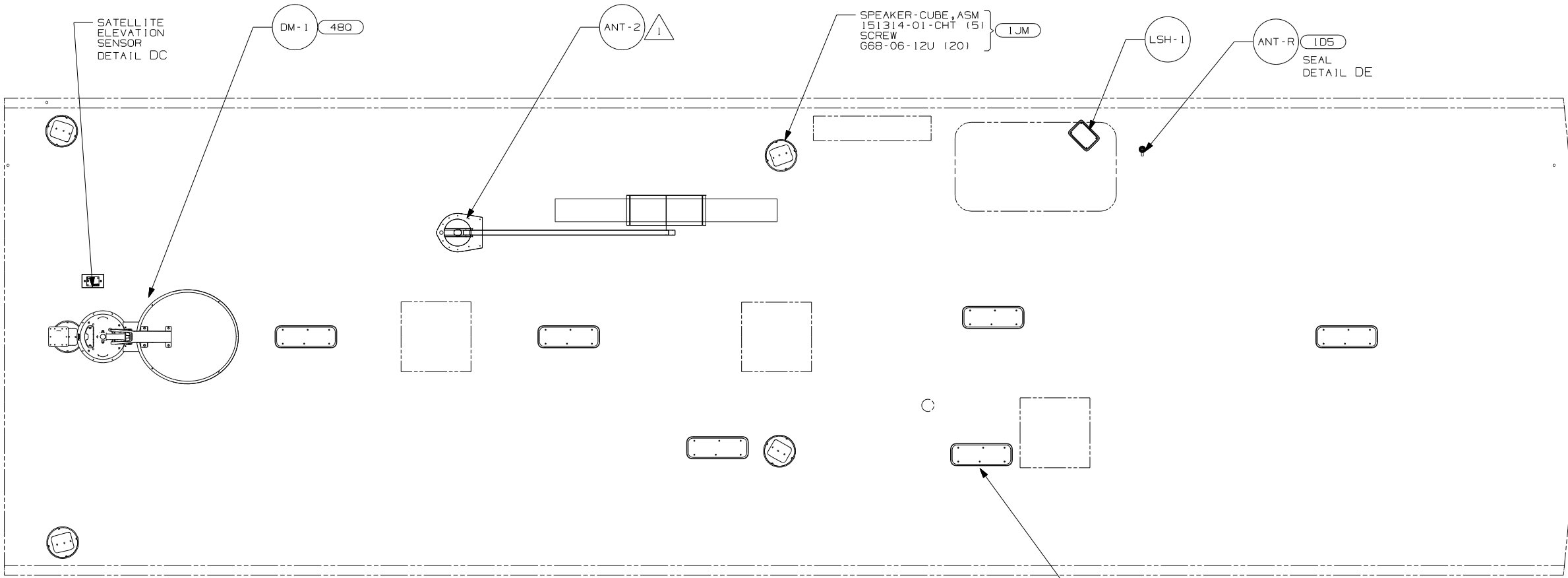
**WARNING**  
 UNDERSTAND OPERATOR'S MANUAL BEFORE USING  
 KEEP PEOPLE AND OBSTRUCTIONS CLEAR OF  
 SLIDEOUT ROOM WHEN OPERATING TO AVOID  
 INJURY AND/OR PROPERTY DAMAGE

- NOTES:
- 6 NOT USED WITH 43N
  - 5 SWITCH IS TO MOUNTED WITH HOUSING ALIGNMNET POST TO BOTTOM OF CONDUIT.
  - 4 MOUNT MAGNET USING PILOT HOLES IN SCREEN DOOR FRAME, MOUNT WITH MAGNET TOWARD SWITCH.
  - 3 MOUNT SWITCH AND SPACER TO BLOCK ON JAMB, ADJUST HEIGHT TO MATCH MAGNET.
  - 2 WIRE ASM-COACH PASSES THROUGH FLOOR IN THIS AREA.
  - 1 SEE WIRING INSTL-FRONT END FOR WIRING INFORMATION.

7. ALL WIRES TO BE SECURED WITH CLAMP 10495 OR 10497 OR WIRE TIE 8343 OR 108046 EVERY 600MM, USE SCREW G67-XX-XXX OR G56-XX-XXX AS APPROPRIATE FOR INSTALLATION.

- 43N TV (RR)-19", VIDEO SELECTION
- 1JM HOME THEATER SOUND SYSTEM
- 1D5 ENTERTAINMENT CENTR/EXT W/CD
- 1JC TV-13" W/VIDEO SELECTION SYS
- 50H RADIOS TWO-WAY (4)
- 265 CODES/STANDARDS-CSA/CMVSS
- 1B1 CODES/STANDARDS USA

FIRST USED	05 D29R
DO NOT SCALE DRAWING	
TITLE: WIRING INSTL-BODY, 12V	
SHEET 3	PART NO 148431



- NOTES:
- 4 WITHOUT (1D5) USE ADAPTOR AND CONNECT GRN COAX TO GRN/GRN COAX.
  - 3 WRAP BRACKET LEGS AROUND ANTENNA BASE.
  - 2 SENSOR SUPPLIED WITH SATELLITE ASSEMBLY.
  - 1 SEE DWG 76319-01-000 FOR INSTALLATION INSTRUCTIONS.

- (1JM) HOME THEATER SOUND SYSTEM
- (1D5) ENTERTAINMENT CENTR/EXT W/CD
- (480) SATELLITE DISH & ELEV.SENSOR
- (265) CODES/STANDARDS-CSA/CMVSS
- (1B1) CODES/STANDARDS USA

FIRST USED	05 D29R
TITLE	DO NOT SCALE DRAWING
	WIRING INSTL - BODY, 12V
SHEET 4	PART NO 148431