



DANGER

Danger of electrical shock, burns or death. Always remove all power sources before attempting any repair, service or diagnostic work. Power can be present from shore power, generator, inverter or battery. All power sources must be disabled and secured before performing any service.

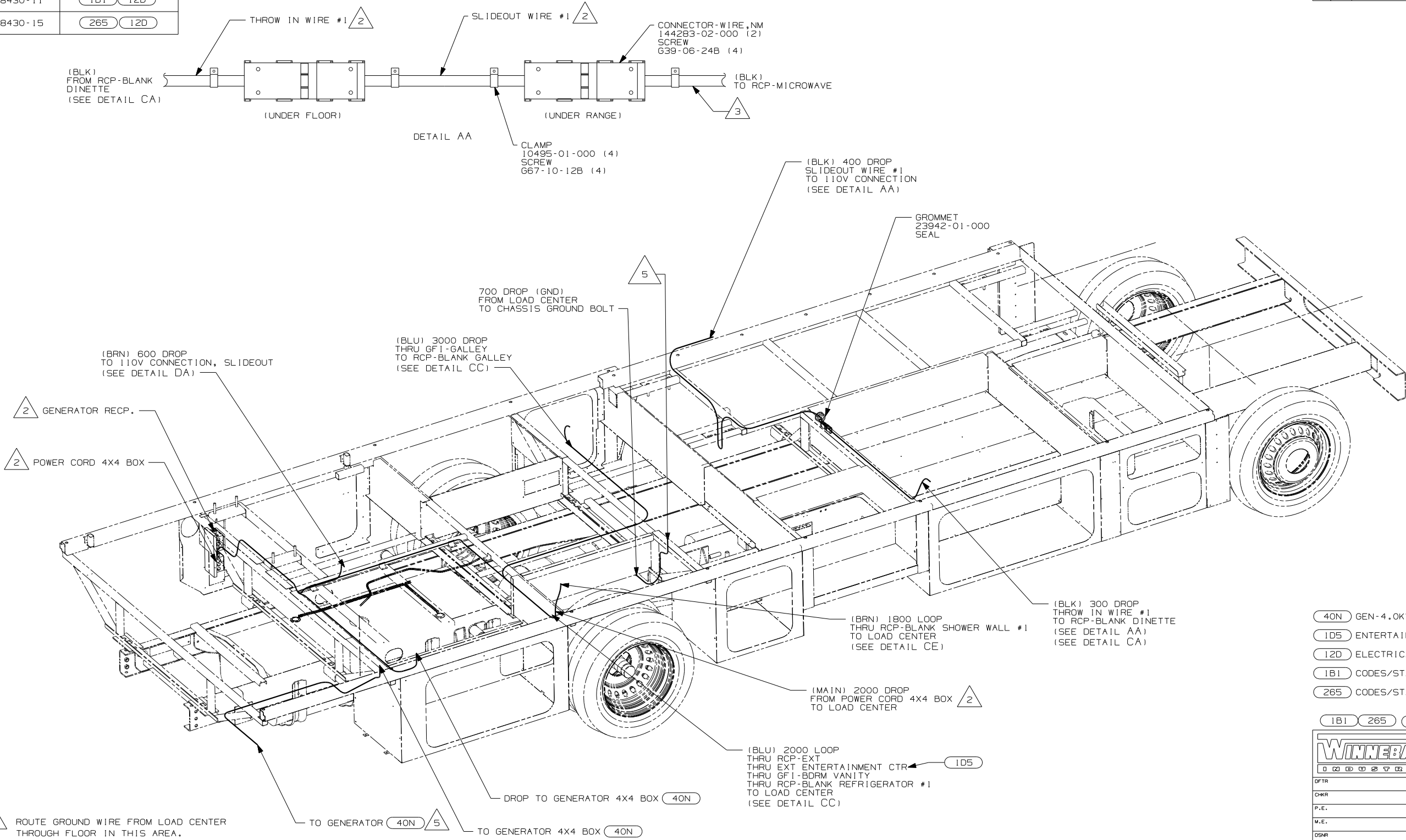


CAUTION

If you lack the skills, tools or equipment to perform diagnostic or repair work leave such work to an authorized Winnebago Industries dealer or other qualified shop.

DRAWING NO.	FEATURE
148430-11	(1B1) (12D)
148430-15	(265) (12D)

RELEASE	REV DATE	DWG NO
A		148430
REV ZONE	REVISION RECORD	DATE DFR-016



- (40N) GEN-4.0KW-ONANGAS-MICROQUIET
- (1D5) ENTERTAINMENT CENTR/EXT W/CD
- (12D) ELECTRICAL SYSTEM 30 AMP
- (1B1) CODES/STANDARDS USA
- (265) CODES/STANDARDS-CSA/CMVSS

(1B1) (265) (12D)

WINNEBAGO COPYRIGHT 2004 WINNEBAGO INDUSTRIES, INC.

DFTR	ORIG. DATE
CHKR	ALL DIMENSIONS ARE IN MILLIMETERS
P.E.	
M.E.	FIRST USED
DSNR	05 D29R

UNSPECIFIED TOLERANCES ARE:	MATERIAL:
WHOLE DIM (X) :	
ONE-PLACE (X.X) :	
TWO-PLACE (X.XX) :	
ANGLE :	
THIRD ANGLE PROJECTION	

DO NOT SCALE DRAWING

TITLE: WIRING INSTL-BODY, 110V

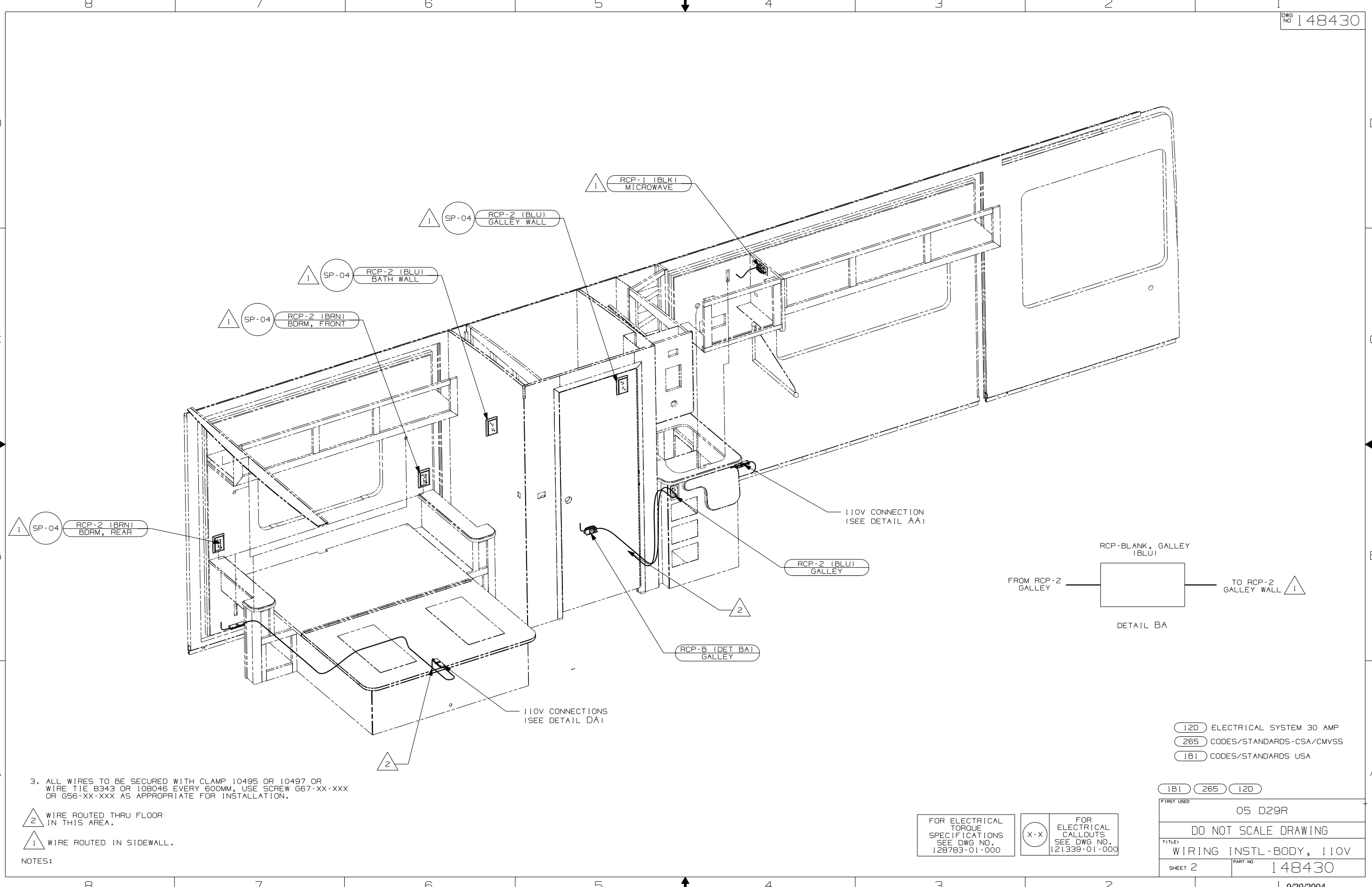
SHEET 1 OF 4 PART NO 148430

REF: 1 9/20/2004

- 5 ROUTE GROUND WIRE FROM LOAD CENTER THROUGH FLOOR IN THIS AREA.
4. ALL WIRES TO BE SECURED WITH CLAMP 10495 OR 10497 OR WIRE TIE 8343 OR 108046 EVERY 600MM, USE SCREW G67-XX-XXX OR G56-XX-XXX AS APPROPRIATE FOR INSTALLATION.
- 3 WIRE IN SIDEWALL.
- 2 SEE LOAD CENTER/ATS FOR ADDITIONAL INFORMATION.
1. WIRES ROUTED UNDER FLOOR.
- NOTES:

FOR ELECTRICAL TORQUE SPECIFICATIONS SEE DWG NO. 128783-01-000

(X-X) FOR ELECTRICAL CALLOUTS SEE DWG NO. 121339-01-000



3. ALL WIRES TO BE SECURED WITH CLAMP 10495 OR 10497 OR WIRE TIE 8343 OR 108046 EVERY 600MM, USE SCREW G67-XX-XXX OR G56-XX-XXX AS APPROPRIATE FOR INSTALLATION.

- 2 WIRE ROUTED THRU FLOOR IN THIS AREA.
- 1 WIRE ROUTED IN SIDEWALL.

NOTES:

- 12D ELECTRICAL SYSTEM 30 AMP
- 265 CODES/STANDARDS-CSA/CMVSS
- 1B1 CODES/STANDARDS USA

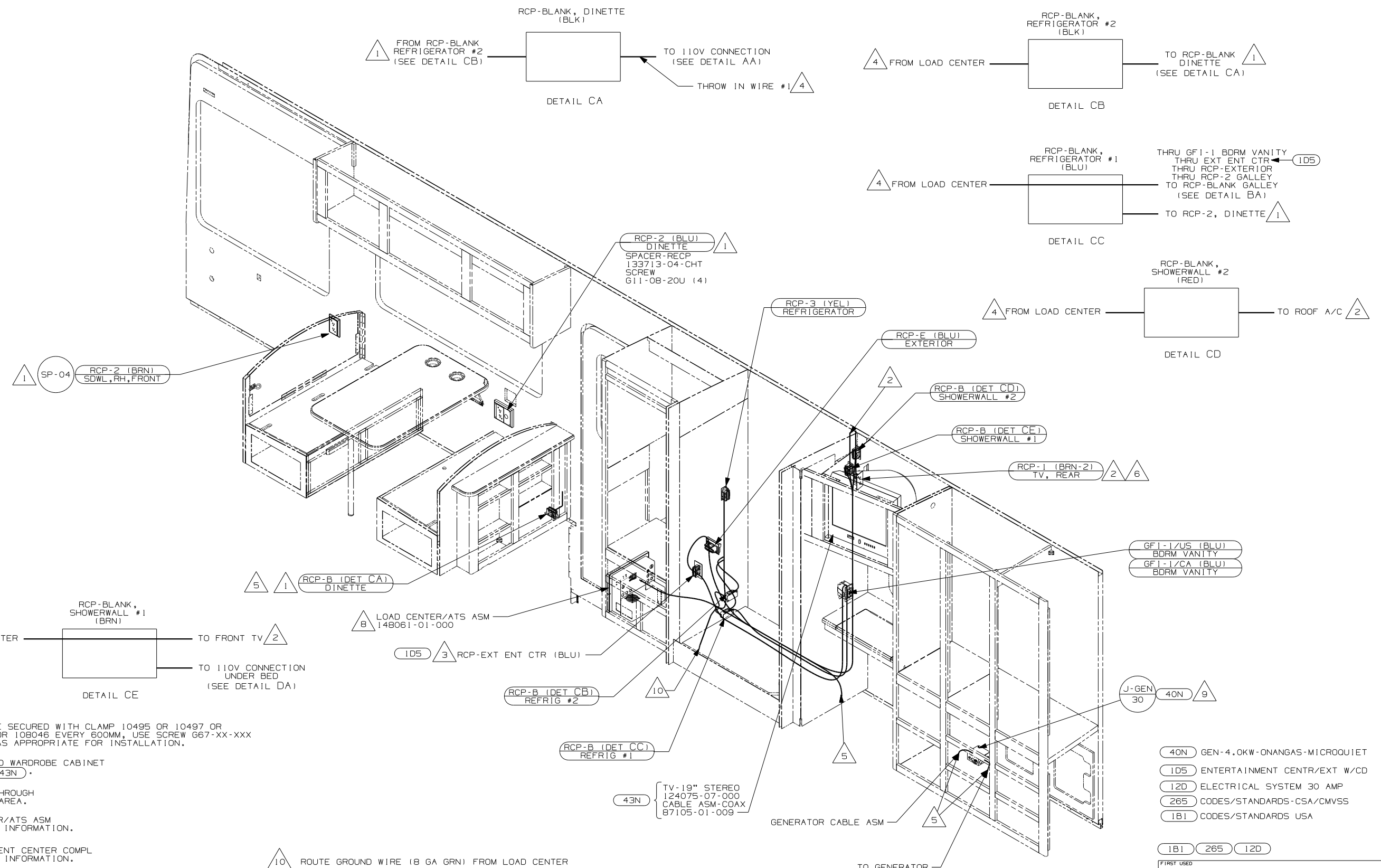
1B1 265 12D

FOR ELECTRICAL TORQUE SPECIFICATIONS SEE DWG NO. 128783-01-000

X-X

FOR ELECTRICAL CALLOUTS SEE DWG NO. 121339-01-000

FIRST USED	
05 D29R	
DO NOT SCALE DRAWING	
TITLE:	
WIRING INSTL-BODY, 110V	
SHEET 2	PART NO
	148430



7. ALL WIRES TO BE SECURED WITH CLAMP 10495 OR 10497 OR WIRE TIE 8343 OR 108046 EVERY 600MM, USE SCREW G67-XX-XXX OR G56-XX-XXX AS APPROPRIATE FOR INSTALLATION.

- △ 6 RCP-TV MOVES TO WARDROBE CABINET WITH FEATURE 43N.
- △ 5 WIRES ROUTED THROUGH FLOOR IN THIS AREA.
- △ 4 SEE LOAD CENTER/ATS ASM FOR ADDITIONAL INFORMATION.
- △ 3 SEE ENTERTAINMENT CENTER COMPL FOR ADDITIONAL INFORMATION.
- △ 2 WIRE ROUTED IN ROOF.
- △ 1 WIRE ROUTED IN SIDEWALL.

NOTES:

- △ 10 ROUTE GROUND WIRE (8 GA GRN) FROM LOAD CENTER THROUGH FLOOR TO GROUND BOLT ON CHASSIS FRAME RAIL.
- △ 9 SEE GENERATOR INSTL FOR ADDITIONAL INFORMATION.
- △ 8 LOAD CENTER GROUND WIRES MUST BE ATTACHED DIRECTLY TO CHASSIS GROUND.

FOR ELECTRICAL TORQUE SPECIFICATIONS SEE DWG NO. 128783-01-000

FOR ELECTRICAL CALLOUTS SEE DWG NO. 121339-01-000

- 40N GEN-4.0KW-ONANGAS-MICROQUIET
- ID5 ENTERTAINMENT CENTR/EXT W/CD
- I2D ELECTRICAL SYSTEM 30 AMP
- 265 CODES/STANDARDS-CSA/CMVSS
- IB1 CODES/STANDARDS USA

FIRST USED	05 D29R
DO NOT SCALE DRAWING	
TITLE:	WIRING INSTL-BODY, 110V
SHEET 3	PART NO 148430

5 THRU RCP-2 BDRM, REAR TO RCP-2 BDRM, FRONT
CONNECTOR-WIRE, NM, CLEAR
144283-02-000
SCREW
G39-06-24B (4)

CLAMP
10495-01-000 (6)
SCREW
G67-10-12B (6)

4 SLIDEOUT WIRE #2

ATTACH CLAMPS TO CABINET ASM-BED

ROUTE WIRES ABOVE SLIDEOUT ARM

ATTACH CLAMPS TO CABINET ASM-BED

CLAMP
10497-03-000 (3) 1 2

(BRN)
FROM RCP-BLANK
SHOWERWALL #1
(SEE DETAIL CE)

500

250

500

CONNECTOR-WIRE, NM, CLEAR
144283-02-000
SCREW
G39-06-24B (4)

3

DETAIL DA

5 WIRE ROUTED IN SIDEWALL.

4 FOR MORE INFORMATION SEE LOAD CENTER/ATS ASM.

3 MAKE THE LOOP AS SMALL AS POSSIBLE WHEN SLIDEOUT IS COMPLETELY RETRACTED.

2 RUN 12V WIRE ALONG WITH SLIDEOUT WIRE #2.

1 WIRE MUST BE ROUTED THROUGH CLAMPS AS SHOWN.

NOTES:

FIRST USED	05 D29R
TITLE	DO NOT SCALE DRAWING
TITLE	WIRING INSTL-BODY, 110V
SHEET 4	PART NO 148430