



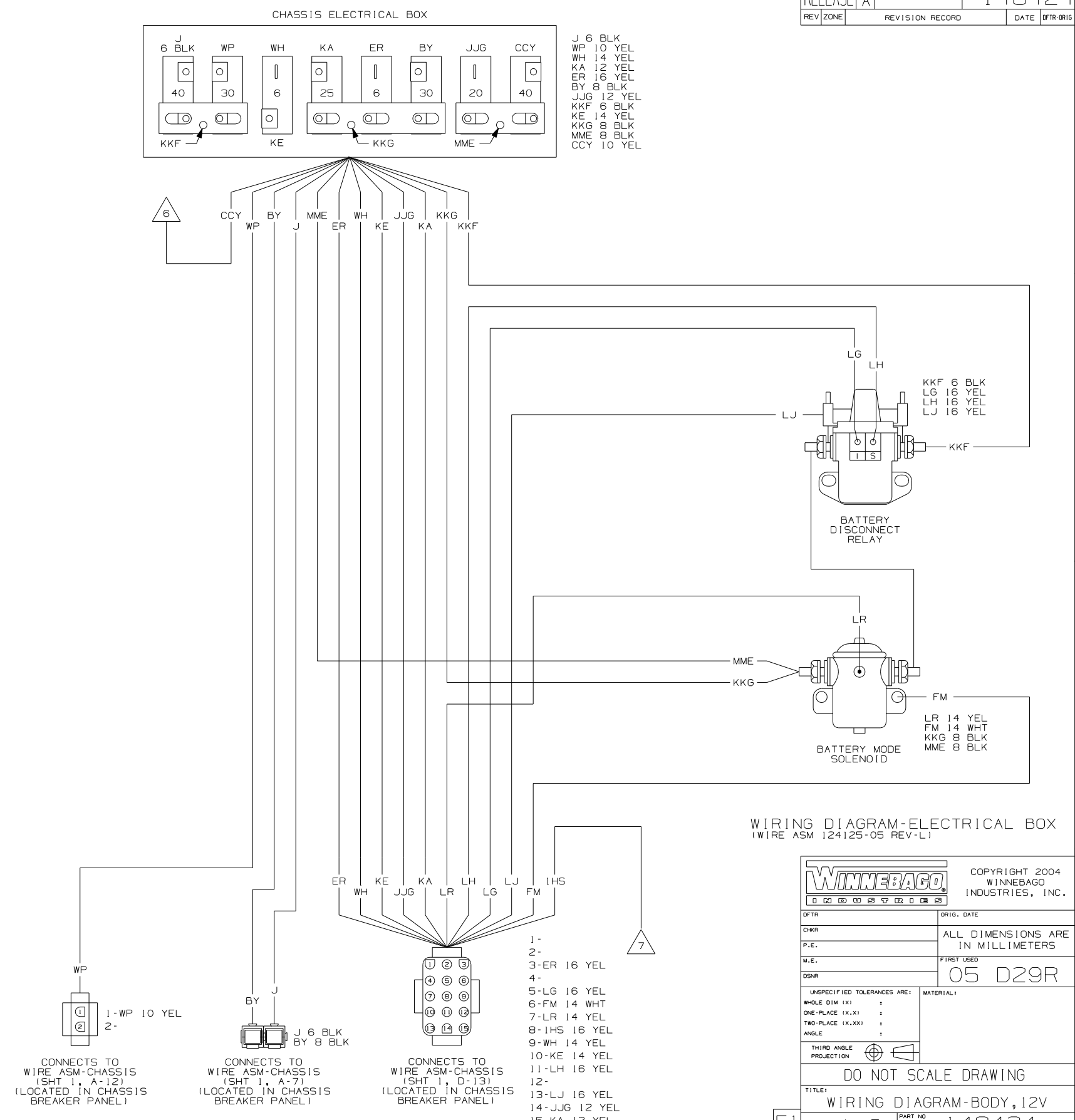
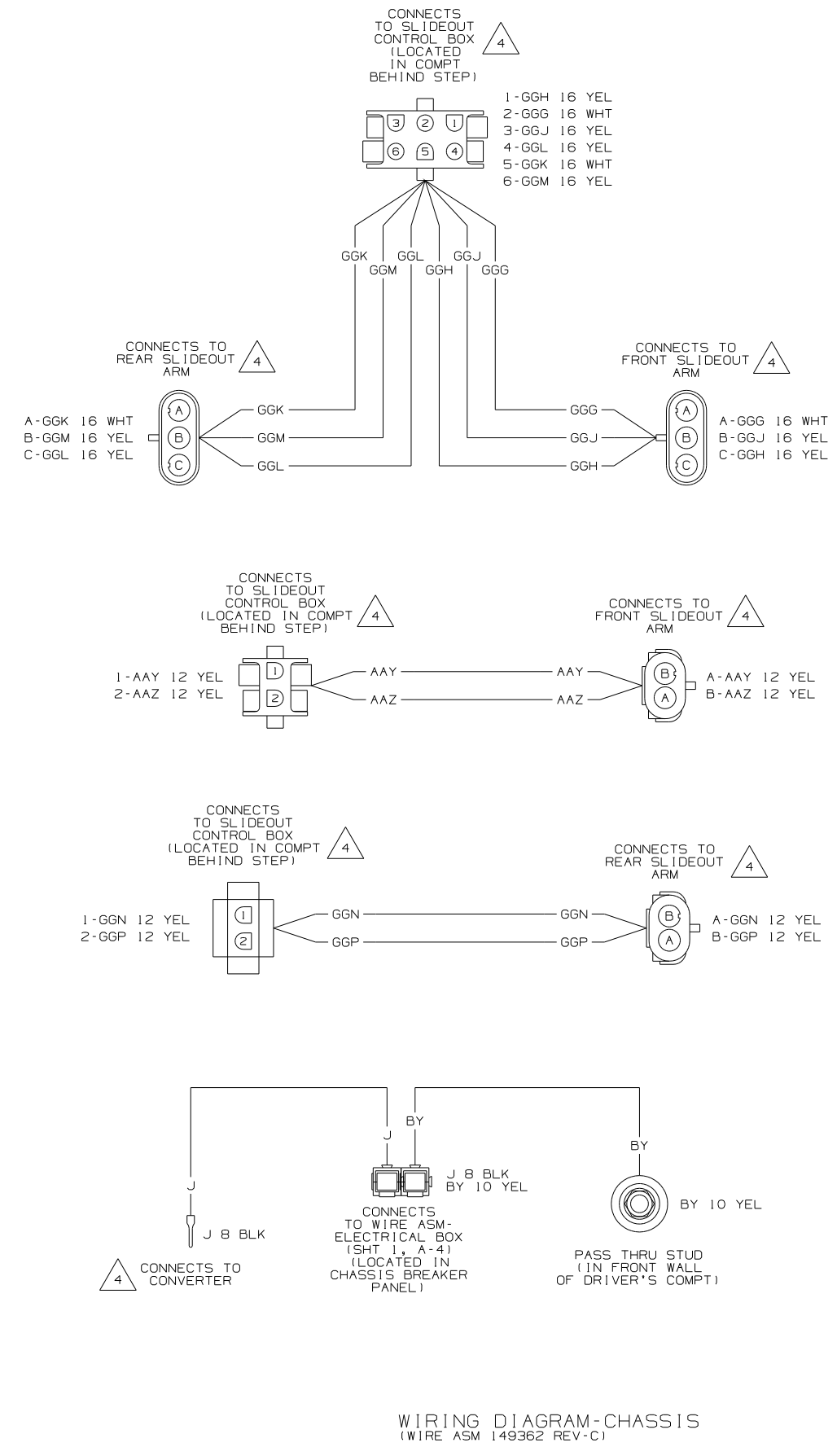
DANGER

Danger of electrical shock, burns or death. Always remove all power sources before attempting any repair, service or diagnostic work. Power can be present from shore power, generator, inverter or battery. All power sources must be disabled and secured before performing any service.

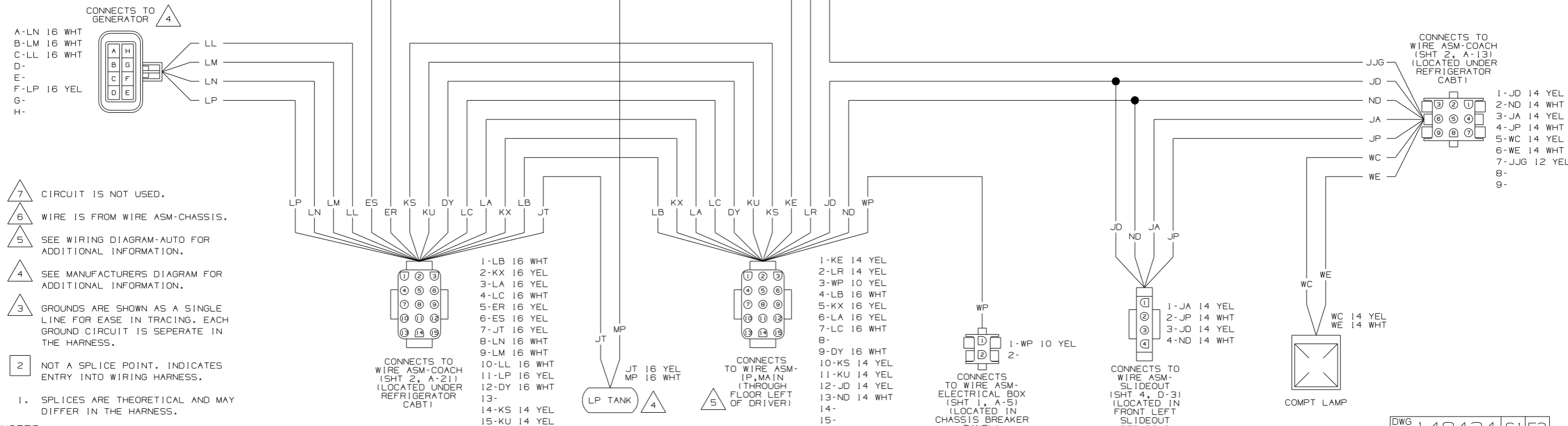
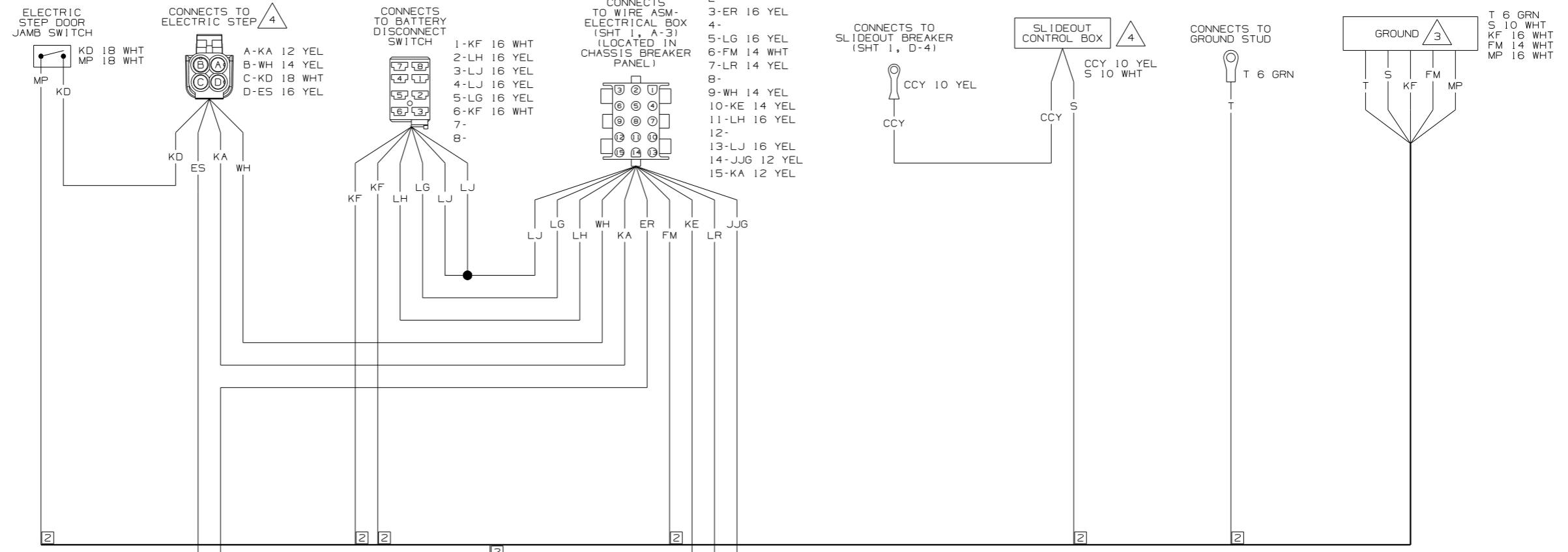


CAUTION

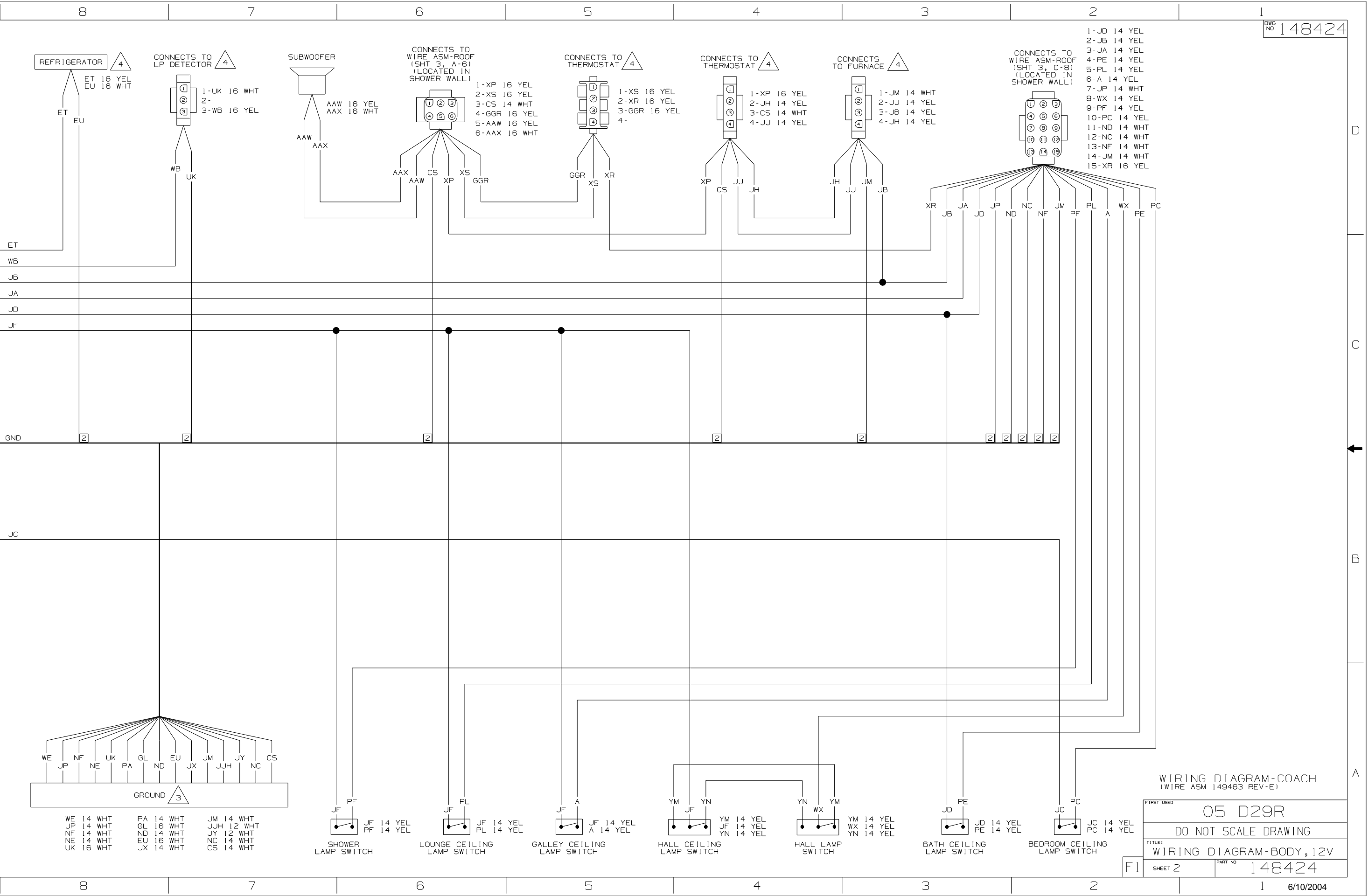
If you lack the skills, tools or equipment to perform diagnostic or repair work leave such work to an authorized Winnebago Industries dealer or other qualified shop.



WINNEBAGO		COPYRIGHT 2004 WINNEBAGO INDUSTRIES, INC.
DFTR	ORIG. DATE	
CHGR	ALL DIMENSIONS ARE IN MILLIMETERS	
P.E.		
M.E.	FIRST USED	05 D29R
DSNR		
UNSPECIFIED TOLERANCES ARE:		MATERIAL:
WHOLE DIM (X)	:	
ONE-PLACE (X.X)	:	
TWO-PLACE (X.XX)	:	
ANGLE	:	
THIRD ANGLE PROJECTION		
DO NOT SCALE DRAWING		
TITLE: WIRING DIAGRAM-BODY, 12V		
SHEET 1 of 5	PART NO	148424



- NOTES:
- 7 CIRCUIT IS NOT USED.
 - 6 WIRE IS FROM WIRE ASM-CHASSIS.
 - 5 SEE WIRING DIAGRAM-AUTO FOR ADDITIONAL INFORMATION.
 - 4 SEE MANUFACTURERS DIAGRAM FOR ADDITIONAL INFORMATION.
 - 3 GROUNDS ARE SHOWN AS A SINGLE LINE FOR EASE IN TRACING. EACH GROUND CIRCUIT IS SEPERATE IN THE HARNESS.
 - 2 NOT A SPLICE POINT. INDICATES ENTRY INTO WIRING HARNESS.
 - 1. SPLICES ARE THEORETICAL AND MAY DIFFER IN THE HARNESS.



REFRIGERATOR 4

CONNECTS TO LP DETECTOR 4

SUBWOOFER

CONNECTS TO WIRE ASM-ROOF (SHT 3, A-6) (LOCATED IN SHOWER WALL)

CONNECTS TO THERMOSTAT 4

CONNECTS TO THERMOSTAT 4

CONNECTS TO FURNACE 4

CONNECTS TO WIRE ASM-ROOF (SHT 3, C-8) (LOCATED IN SHOWER WALL)

- 1-JD 14 YEL
- 2-JB 14 YEL
- 3-JA 14 YEL
- 4-PE 14 YEL
- 5-PL 14 YEL
- 6-A 14 YEL
- 7-JP 14 WHT
- 8-WX 14 YEL
- 9-PF 14 YEL
- 10-PC 14 YEL
- 11-ND 14 WHT
- 12-NC 14 WHT
- 13-NF 14 WHT
- 14-JM 14 WHT
- 15-XR 16 YEL

ET 16 YEL
EU 16 WHT

1-UK 16 WHT
2-
3-WB 16 YEL

AAW 16 YEL
AAX 16 WHT

1-XP 16 YEL
2-XS 16 YEL
3-CS 14 WHT
4-GGR 16 YEL
5-AAW 16 YEL
6-AAX 16 WHT

1-XS 16 YEL
2-XR 16 YEL
3-GGR 16 YEL
4-

1-XP 16 YEL
2-JH 14 YEL
3-CS 14 WHT
4-JJ 14 YEL

1-JM 14 WHT
2-JJ 14 YEL
3-JB 14 YEL
4-JH 14 YEL

ET
WB
JB
JA
JD
JF

GND

WE JP NF NE UK PA GL ND EU JX JM JJH JY NC CS

GROUND 3

WE 14 WHT	PA 14 WHT	JM 14 WHT
JP 14 WHT	GL 16 WHT	JJH 12 WHT
NF 14 WHT	ND 14 WHT	JY 12 WHT
NE 14 WHT	EU 16 WHT	NC 14 WHT
UK 16 WHT	JX 14 WHT	CS 14 WHT

JF PF JF 14 YEL
PF 14 YEL
SHOWER LAMP SWITCH

JF PL JF 14 YEL
PL 14 YEL
LOUNGE CEILING LAMP SWITCH

JF A JF 14 YEL
A 14 YEL
GALLEY CEILING LAMP SWITCH

JF YN YM 14 YEL
JF 14 YEL
YN 14 YEL
HALL CEILING LAMP SWITCH

YN YM 14 YEL
WX 14 YEL
YN 14 YEL
HALL LAMP SWITCH

JD PE JD 14 YEL
PE 14 YEL
BATH CEILING LAMP SWITCH

JC PC JC 14 YEL
PC 14 YEL
BEDROOM CEILING LAMP SWITCH

WIRING DIAGRAM-COACH (WIRE ASM 149463 REV-E)

FIRST USED	05 D29R
DO NOT SCALE DRAWING	
TITLE: WIRING DIAGRAM-BODY, 12V	
SHEET 2	PART NO 148424

CONNECTS TO WIRE ASM-SIDEWALL (SHT 4, D-7) (LOCATED BEHIND REFRIGERATOR CABT)

1-PJ 14 YEL
2-JE 14 YEL
3-NE 14 WHT
4-JA 14 YEL
5-JP 14 WHT
6-

12V RECEPTACLE, BDRM VANITY

REAR TV WALLPLATE

CONNECTS TO WIRE ASM-ENTERTAINMENT CTR (SHT 4, B-5)

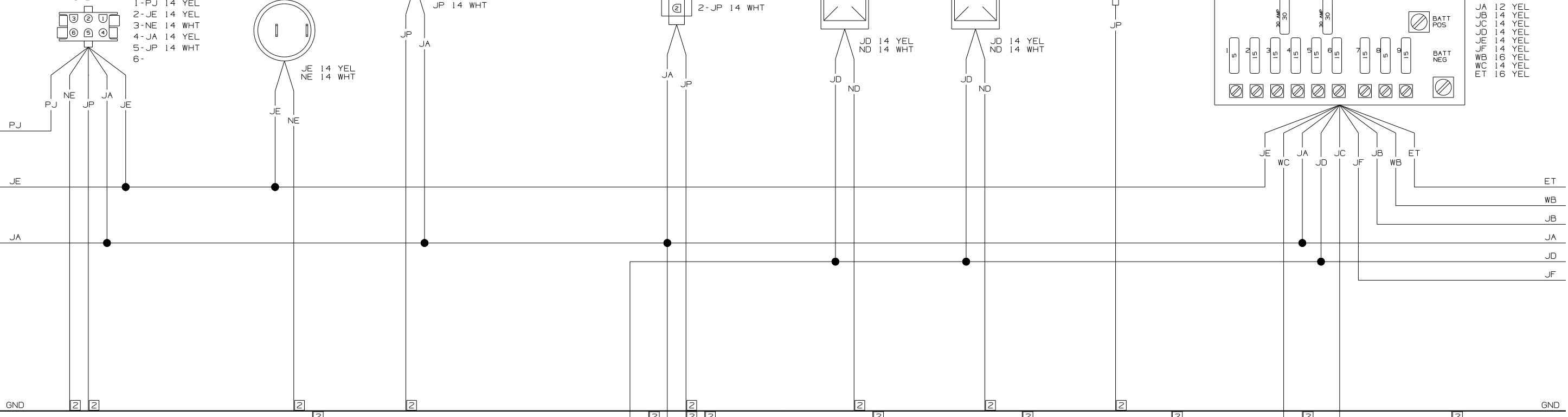
BDRM VANITY OVHD LAMP

GALLEY OVHD LAMP

CONNECTS TO ANTENNA GROUND

12V FUSE PANEL

JA 12 YEL
JB 14 YEL
JC 14 YEL
JD 14 YEL
JE 14 YEL
JF 14 YEL
WB 16 YEL
WC 14 YEL
ET 16 YEL



JC
DY

DS
DU
GGD
GGE
DR
GGF

CONNECTS TO SLIDEOUT CONTROL BOX (LOCATED IN COMPT BEHIND STEP)

1-DS 16 WHT
2-DU 16 YEL
3-GGD 16 YEL
4-GGE 16 YEL
5-DR 16 YEL
6-GGF 16 YEL
7-DY 16 WHT
8-
9-

CONNECTS TO REAR SLIDEOUT SWITCH

1-JJG 12 YEL
2-JJJ 12 YEL
3-JJK 12 YEL
4-DY 16 WHT
5-JJH 12 WHT

CONNECTS TO BEDROOM SLIDEOUT

A-JJJ 12 YEL
B-JJK 12 YEL

CONNECTS TO WIRE ASM-CHASSIS (SHT 1, B-9) (LOCATED UNDER REFRIGERATOR CABT)

1-JD 14 YEL
2-ND 14 WHT
3-JA 14 YEL
4-JP 14 WHT
5-WC 14 YEL
6-WE 14 WHT
7-JJG 12 YEL
8-
9-

COMPT LAMP

WC 14 YEL
WE 14 WHT

COMPT LAMP

WC 14 YEL
WE 14 WHT

COMPT LAMP

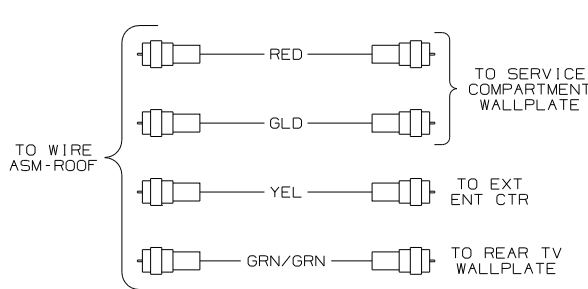
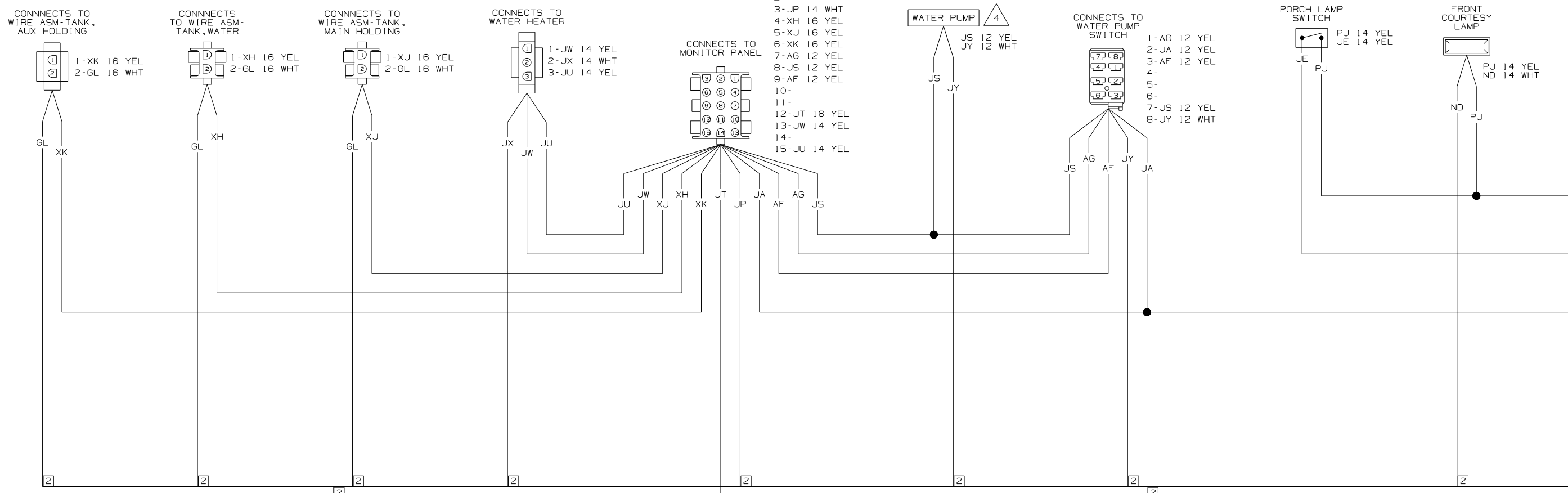
WC 14 YEL
WE 14 WHT

COMPT LAMP

WC 14 YEL
WE 14 WHT

CONNECTS TO WIRE ASM-COMPT LAMP (SHT 5, A-2) (LOCATED UNDER REFRIGERATOR CABT)

1-WC 14 YEL
2-WE 14 WHT

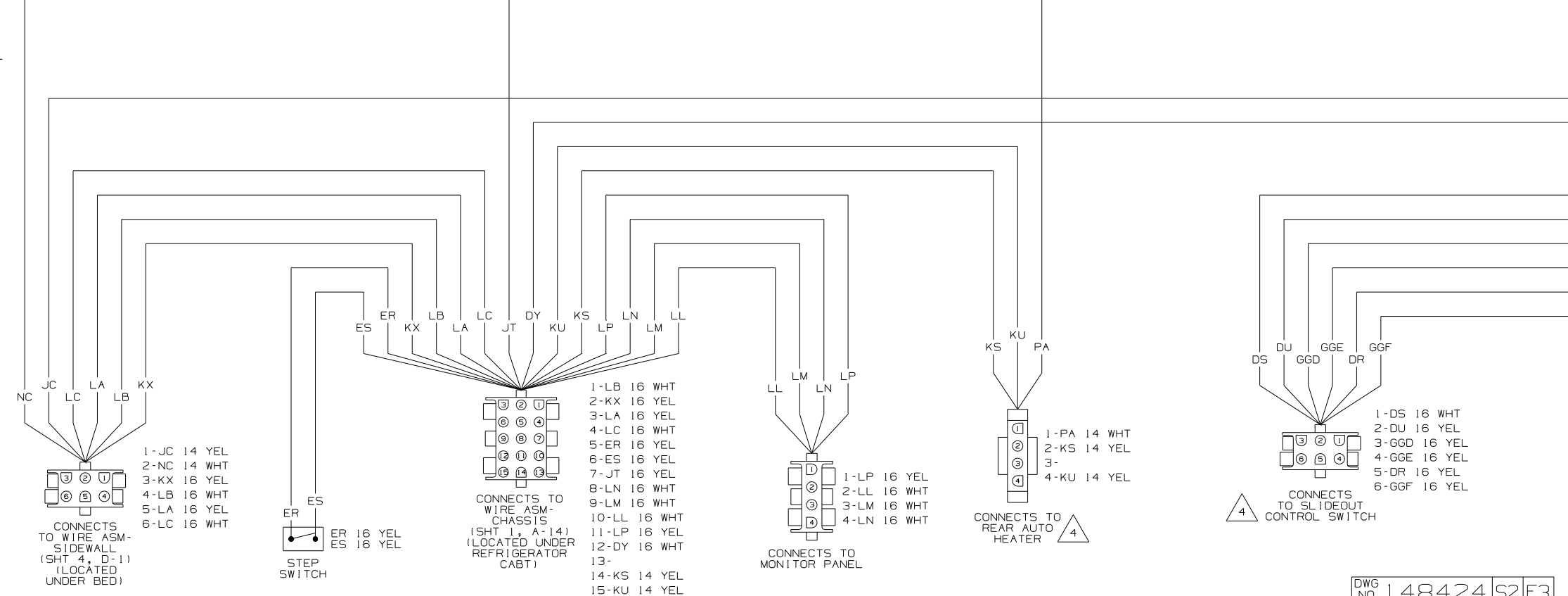


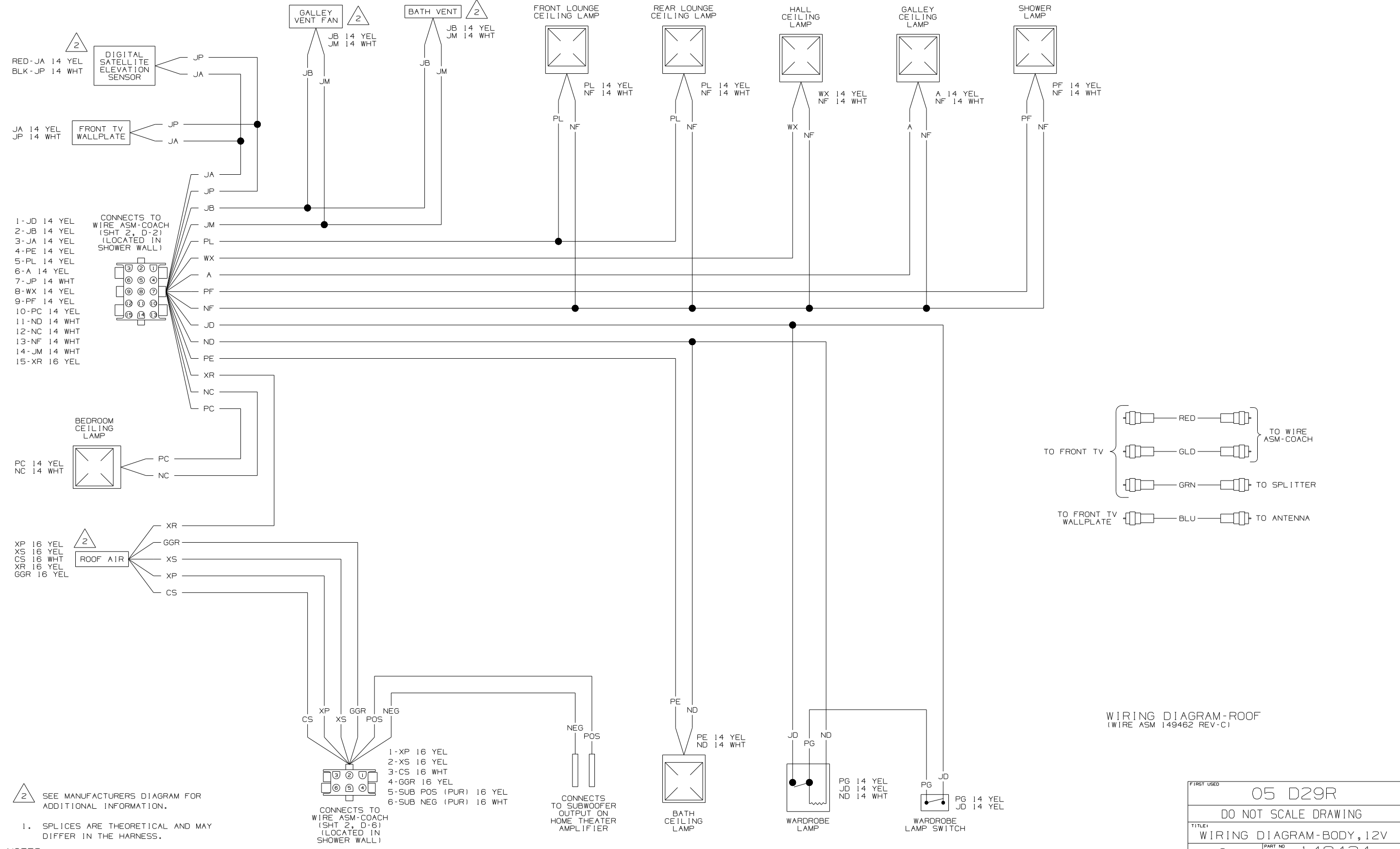
4 SEE MANUFACTURERS DIAGRAM FOR ADDITIONAL INFORMATION.

3 GROUNDS ARE SHOWN AS A SINGLE LINE FOR EASE IN TRACING. EACH GROUND CIRCUIT IS SEPERATE IN THE HARNESS.

2 NOT A SPLICE POINT. INDICATES ENTRY INTO WIRING HARNESS.

1. SPLICES ARE THEORETICAL AND MAY DIFFER IN THE HARNESS.



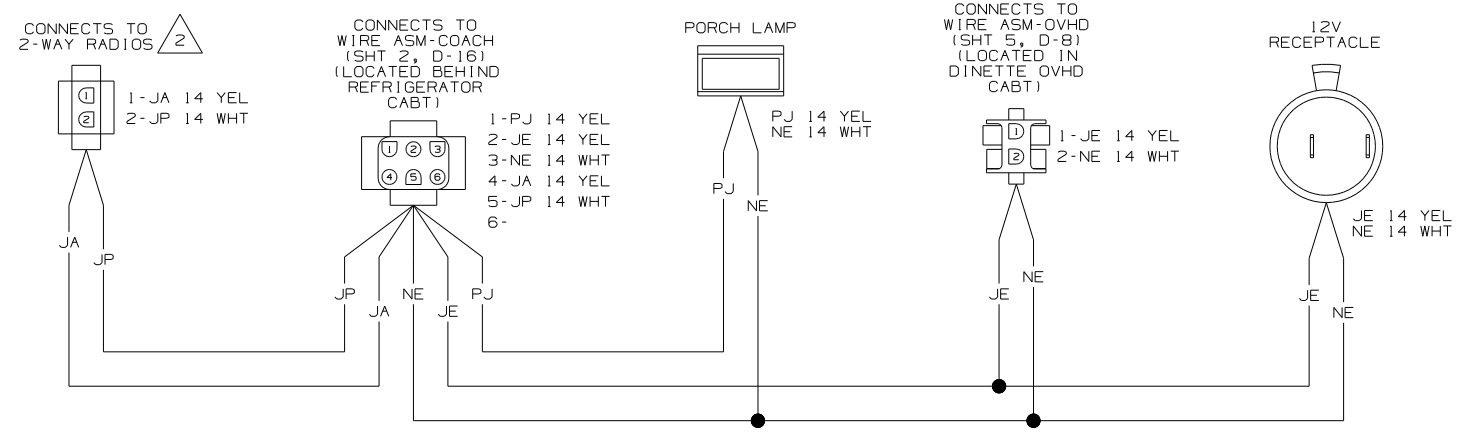


WIRING DIAGRAM-ROOF (WIRE ASM 149462 REV-C)

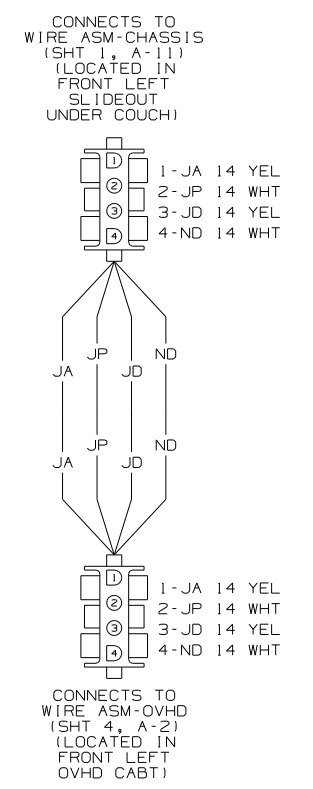
NOTES:

- SPLICES ARE THEORETICAL AND MAY DIFFER IN THE HARNESS.

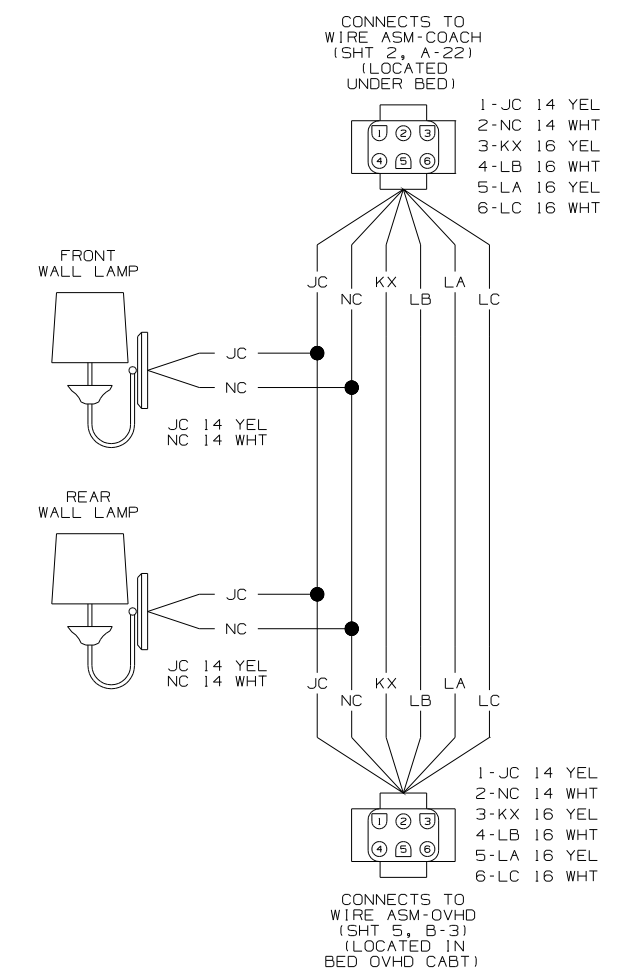
FIRST USED	05 D29R
DO NOT SCALE DRAWING	
TITLE:	WIRING DIAGRAM-BODY, 12V
SHEET 3	PART NO 148424



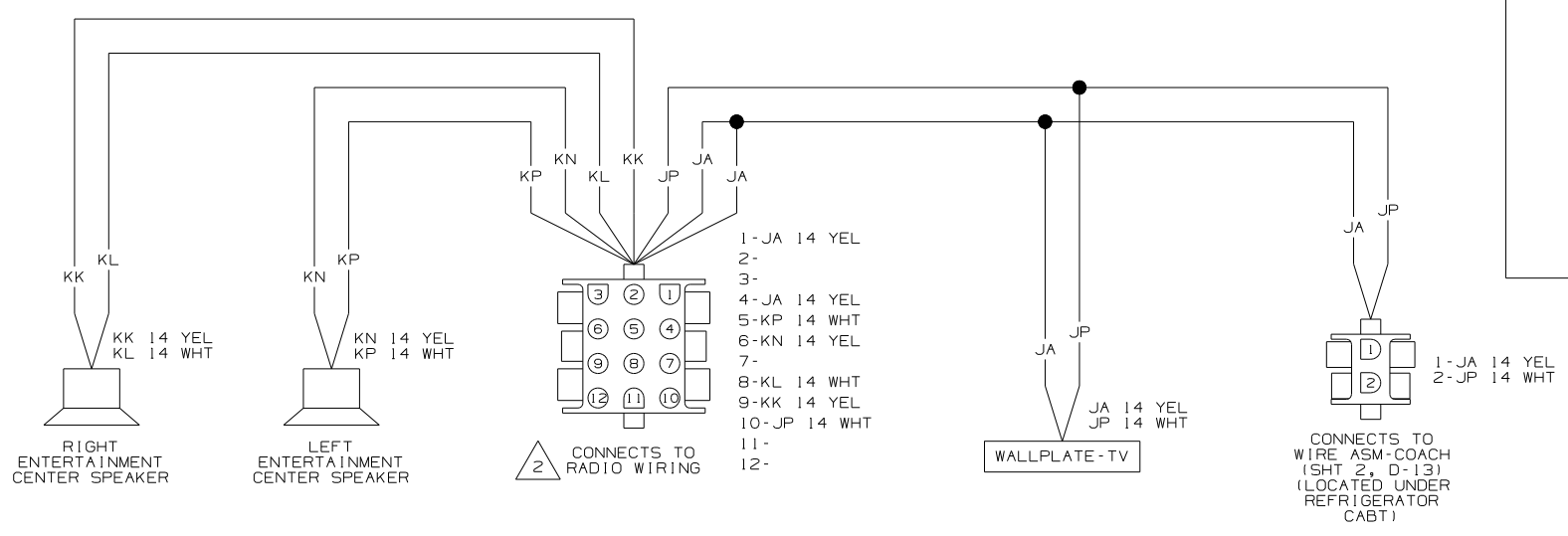
WIRING DIAGRAM-SIDEWALL (WIRE ASM 149486 REV-B)



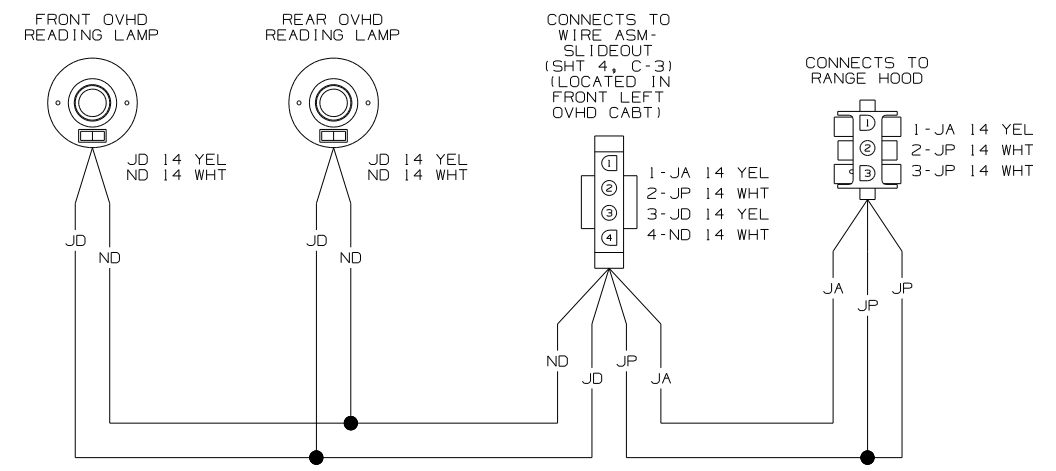
WIRING DIAGRAM-SLIDEOUT (WIRE ASM 149654 REV-A)



WIRING DIAGRAM-SIDEWALL (WIRE ASM 149653 REV-A)



WIRING DIAGRAM-ENTERTAINMENT CTR (WIRE ASM 125853-04 REV-L)



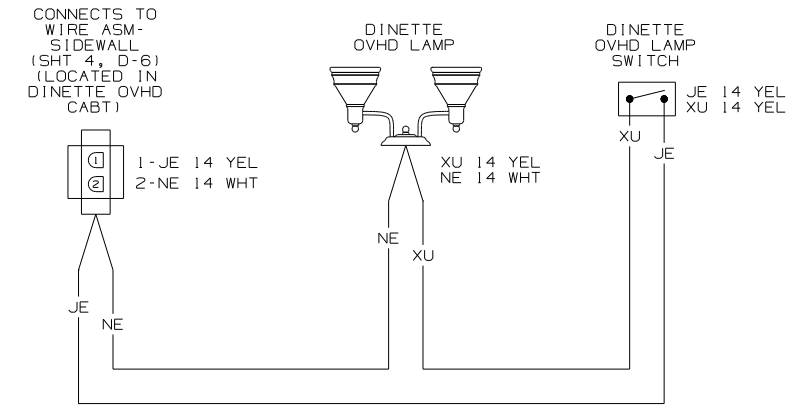
WIRING DIAGRAM-OVHD (WIRE ASM 149485 REV-A)

SEE MANUFACTURER'S DIAGRAM FOR ADDITIONAL INFORMATION.

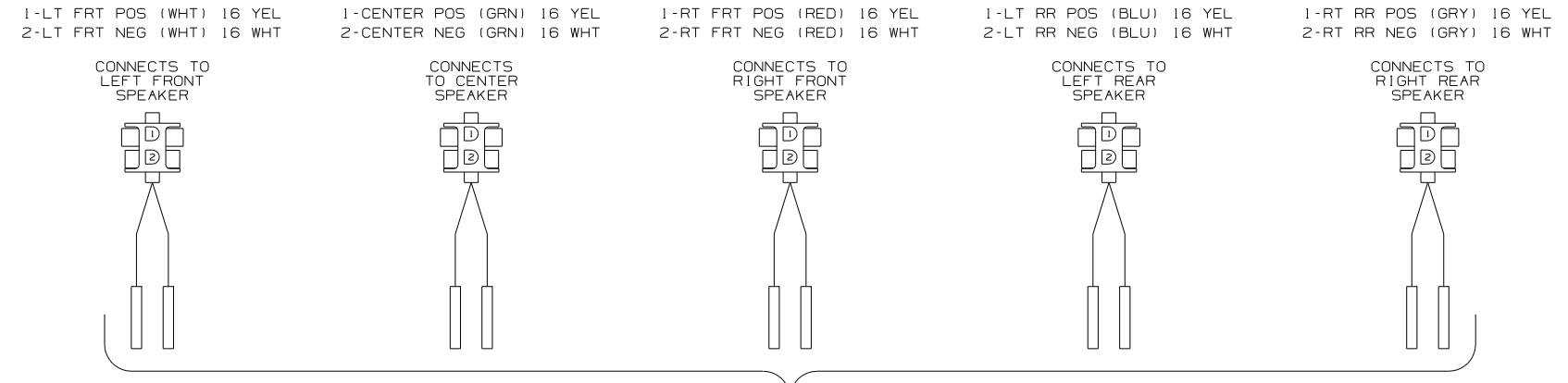
1. SPLICES ARE THEORETICAL AND MAY DIFFER IN THE HARNESS.

NOTES:

FIRST USED	05 D29R
TITLE	DO NOT SCALE DRAWING
TITLE	WIRING DIAGRAM-BODY, 12V
SHEET 4	PART NO 148424



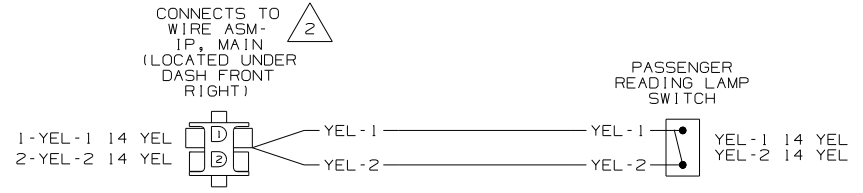
WIRING DIAGRAM-OVHD (WIRE ASM 149917 REV-B)



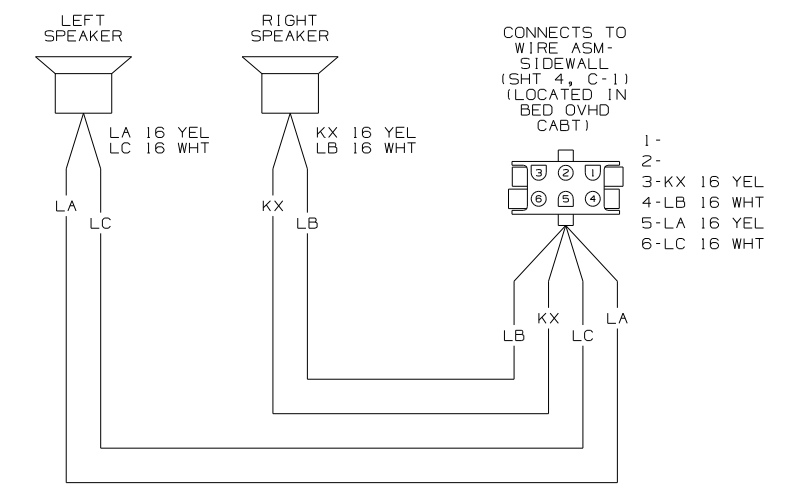
CONNECTS TO SPEAKER OUTPUTS ON HOME THEATER AMPLIFIER

- RT FRT POS (RED) 16 YEL
- RT FRT NEG (RED) 16 WHT
- CENTER POS (GRN) 16 YEL
- CENTER NEG (GRN) 16 WHT
- LT FRT POS (WHT) 16 YEL
- LT FRT NEG (WHT) 16 WHT
- LT RR POS (BLU) 16 YEL
- LT RR NEG (BLU) 16 WHT
- RT RR POS (GRY) 16 YEL
- RT RR NEG (GRY) 16 WHT

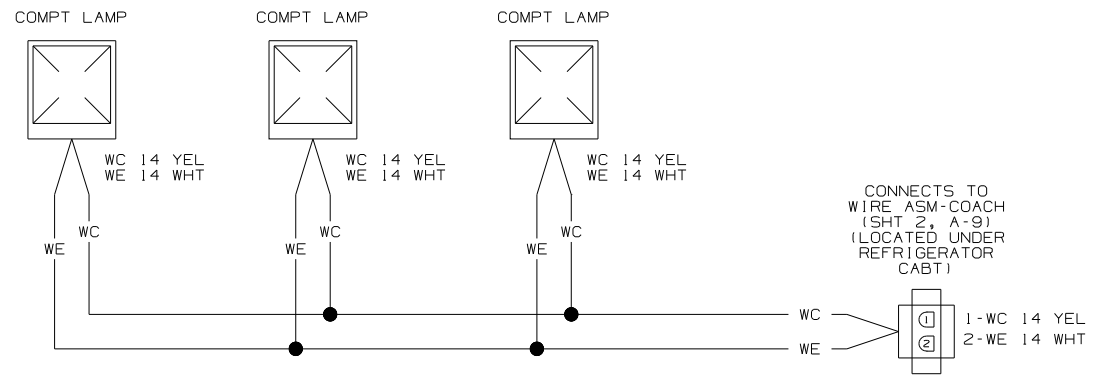
WIRING DIAGRAM-HOME THEATER EXTENSION (WIRE ASM 149963-02 REV-D)



WIRING DIAGRAM-EXTENSION, 2 PIN (WIRE ASM 147579-02 REV-A)



WIRING DIAGRAM-OVHD (WIRE ASM 149655 REV-B)



WIRING DIAGRAM-COMPT LAMP (WIRE ASM 149929 REV-B)

SEE WIRING DIAGRAM-AUTO FOR ADDITIONAL INFORMATION.

1. SPLICES ARE THEORETICAL AND MAY DIFFER IN THE HARNESS.

NOTES:

FIRST USED	05 D29R
TITLE	DO NOT SCALE DRAWING
	WIRING DIAGRAM-BODY, 12V
SHEET 5	PART NO 148424