

FRONT OF COACH

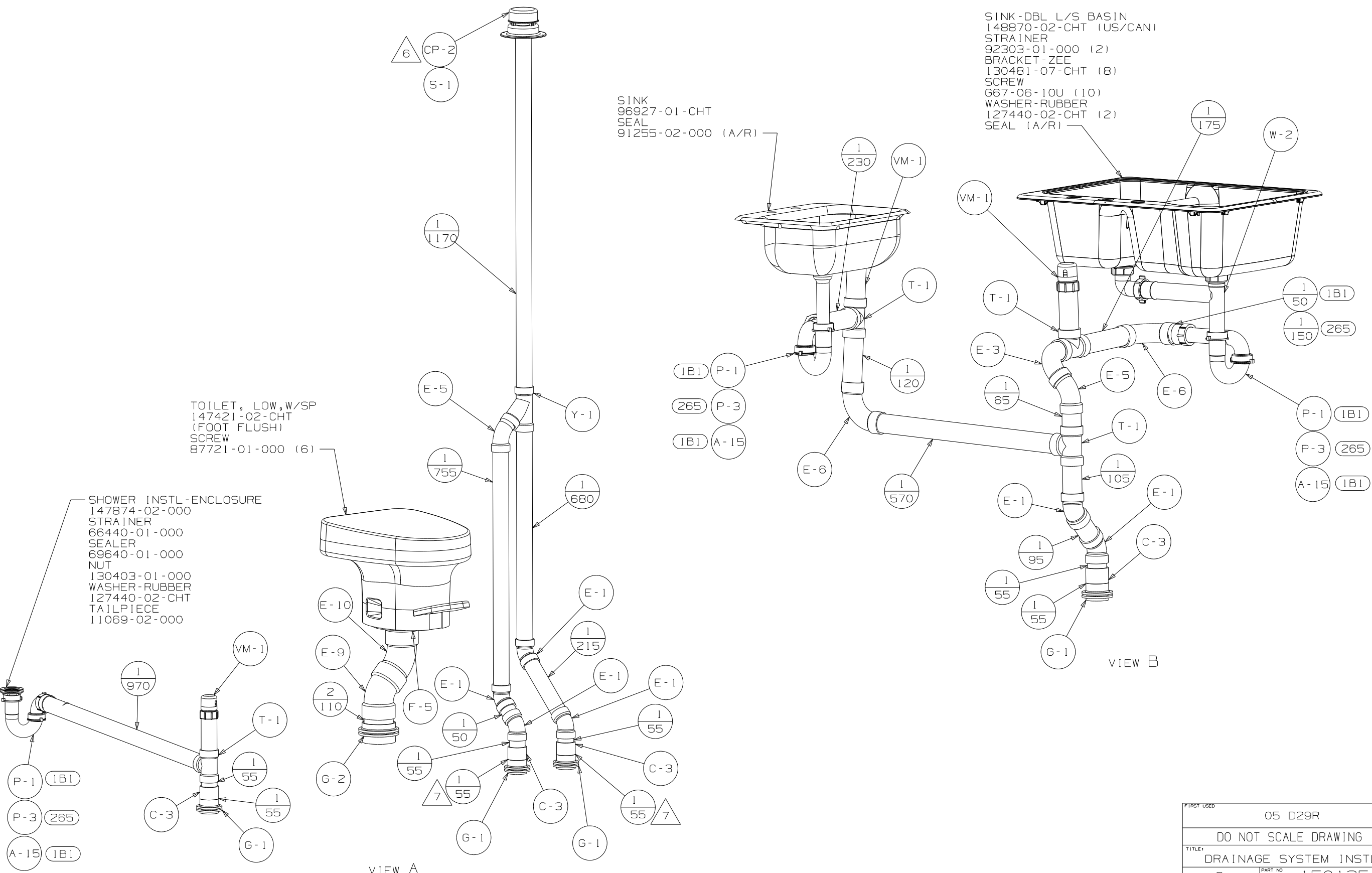
- 7 SECURE VENT TUBES TO FLOOR WITH BRACKET 95061-01-000 (2), CLAMP 62401-02-000 AND SCREW G67-10-12B (2)
- 6 VENT PIPE MUST PROJECT 51 MIN AND 64 MAX ABOVE ROOF FOR PROPER FIT AND FUNCTION.
- 5. SEAL AROUND SHOWER WITH SILICONE.
- 4. ALL EXTERIOR OPENINGS AROUND PIPE TO BE SEALED WITH 131264-03-000.
- 3. ALL PIPE AND FITTINGS TO BE ASSEMBLED WITH SOLVENT 4020-01-000 (US), 4020-02-000 (CAN).
- 2. SLOPE OF TRAP ARM MUST BE 6 PER 305 mm.
- 1. SLOPE OF HORIZONTAL PIPING TO BE MIN 3 PER 305 mm.

NOTES:

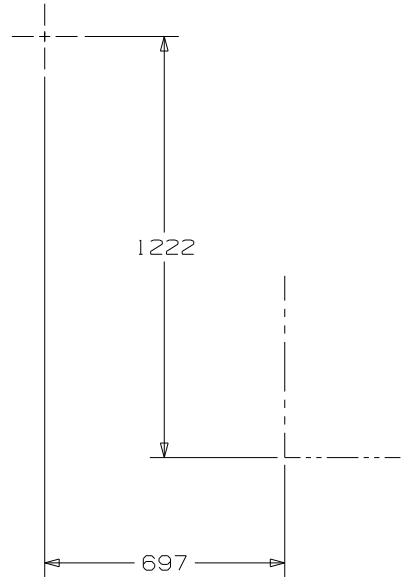
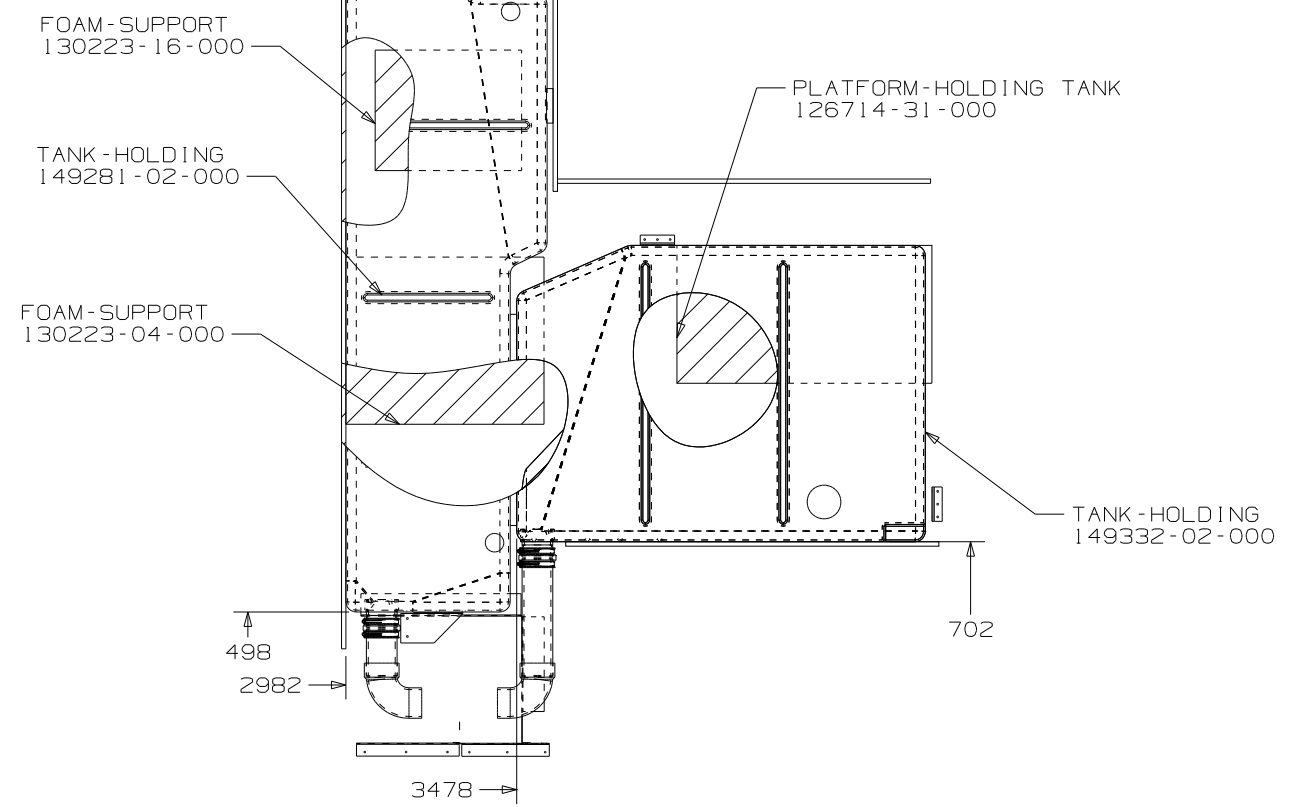
(265) CODES/STDS-CSA/CMVSS
 (1B1) CODES/STANDARDS-USA

WINNEBAGO		COPYRIGHT 2004 WINNEBAGO INDUSTRIES, INC.	
D/FR	ORIG. DATE	ALL DIMENSIONS ARE IN MILLIMETERS	
CHKR		FIRST USED	
P.E.		05 D29R	
M.E.		UNSPECIFIED TOLERANCES ARE:	
DSNR		MATERIAL:	
		WHOLE DIM (X) :	3
		ONE-PLACE (X.X) :	
		TWO-PLACE (X.XX) :	
		ANGLE :	
THIRD ANGLE PROJECTION		DO NOT SCALE DRAWING	
		TITLE: DRAINAGE SYSTEM INSTL	
SHEET 1 OF 3		PART NO 150135	

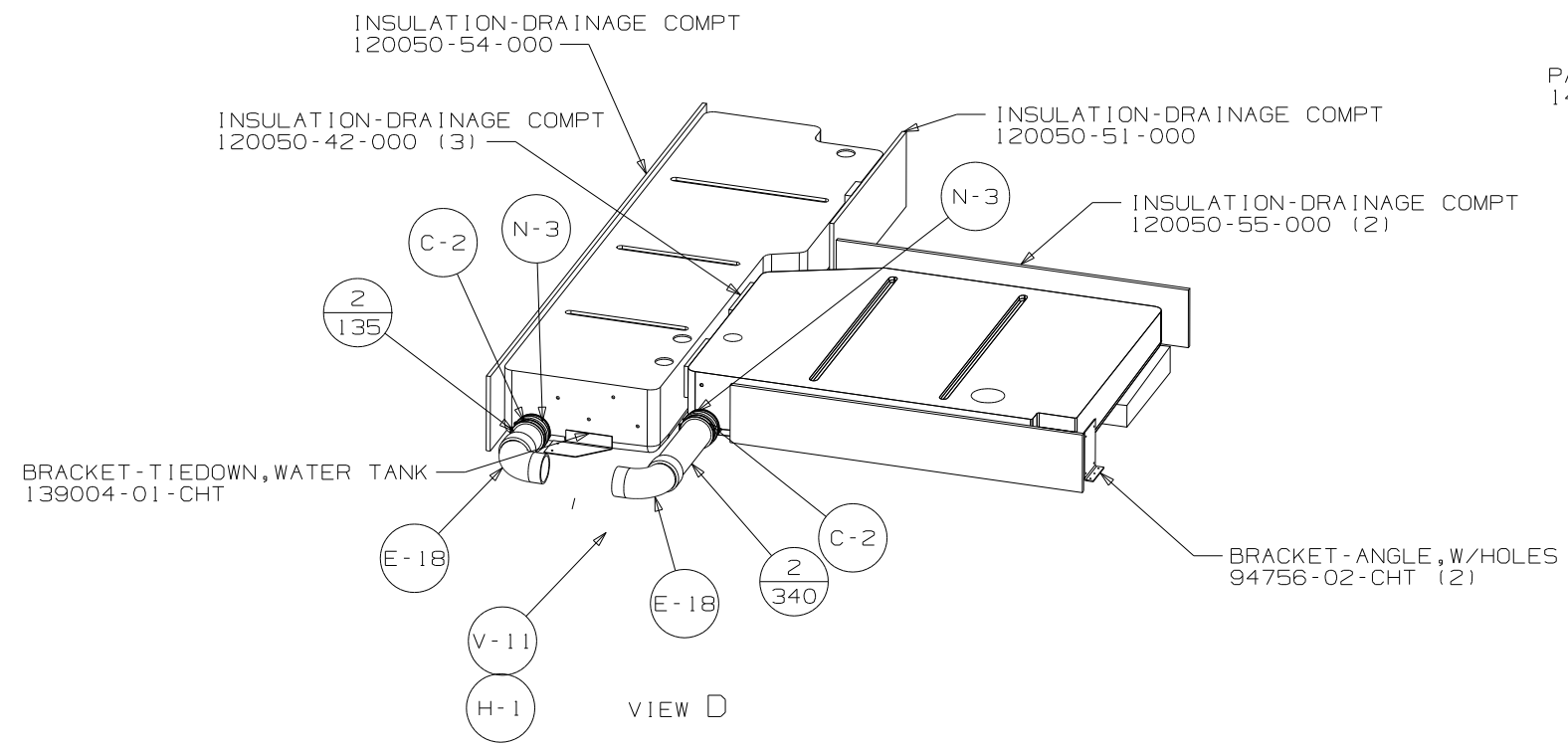
(X-X)
 FOR DRAINAGE CALLOUTS
 SEE DWG NO 116229-01-000



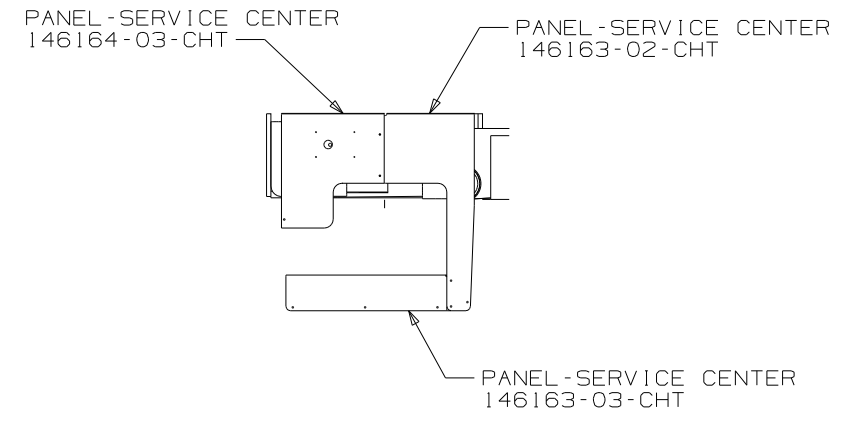
FIRST USED	05 D29R
DO NOT SCALE DRAWING	
TITLE	DRAINAGE SYSTEM INSTL
SHEET 2	PART NO 150135



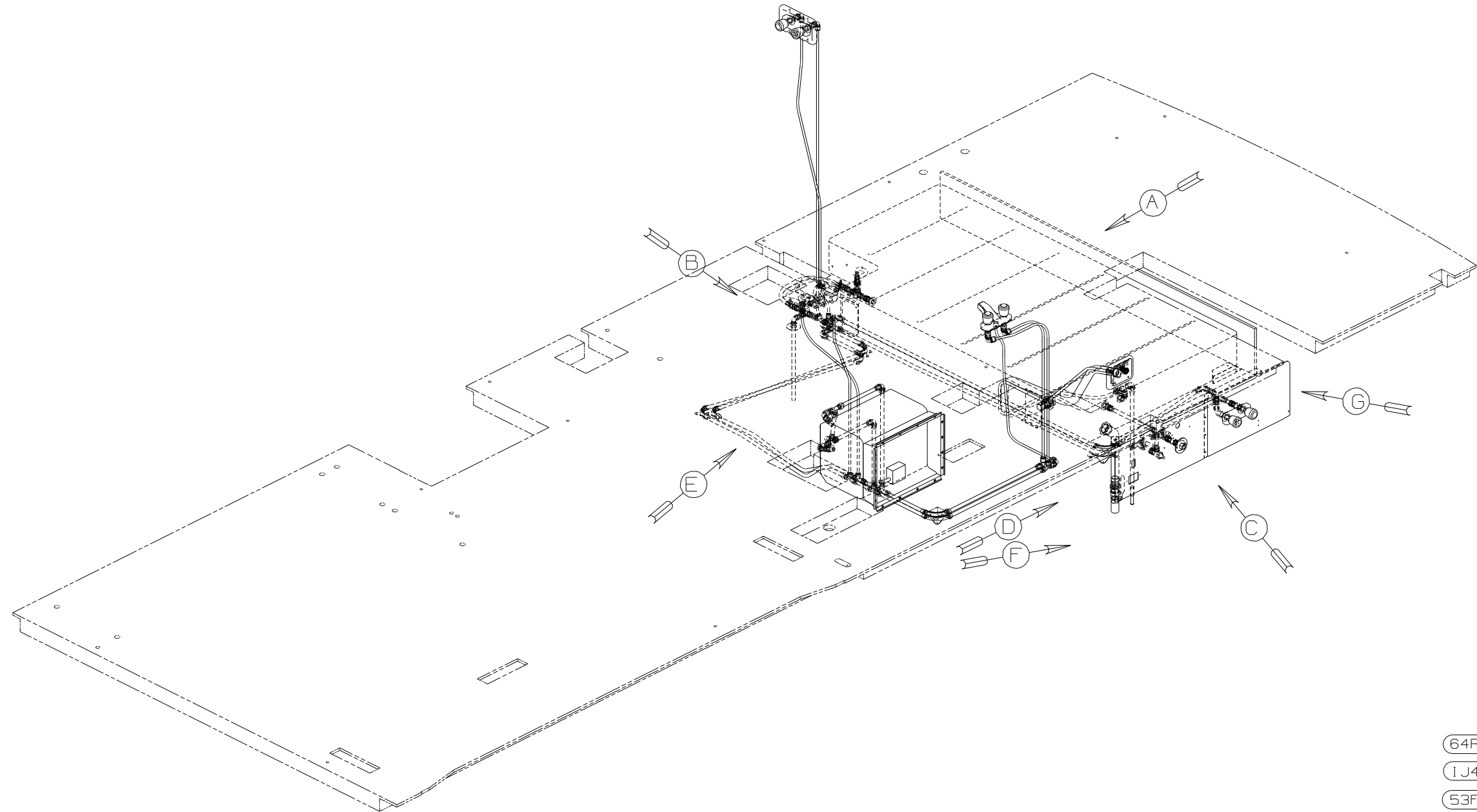
VIEW C



VIEW D



FIRST USED	05 D29R
TITLE	DO NOT SCALE DRAWING
SHEET 3	DRAINAGE SYSTEM INSTL
PART NO	150135



- (64R) EXTERIOR WASH STATION
- (1J4) EXT WASH STATION-WITHOUT
- (53F) WATER HEATER-ELEC IGNITION
- (611) MOTORAID & AUX HEATER

- 9 ADD PIPE WRAP (LADDER SCRAP) INSULATION HERE.
 - 8 LABEL HOT AND COLD SUPPLY TUBES.
 - 7 TAPE FITTING TO TUBE BEFORE CABINET SET TO PREVENT FITTING FROM MOVING.
 - 6 ADD TEFLON TAPE 10405-01-000.
 - 5 ADD TEFLON TAPE 10405-02-000.
 - 4 FLUSHING SYSTEM REQUIRES 125697-06-000 INSTRUCTION SHEET.
3. ALL TUBING TO BE SECURED AT 1200 INTERVALS MAXIMUM WITH CLAMP 10495-01-000 OR CLIP 9151-01-000 AND SCREW G67-10-12B.
 2. TUBING TO BE INSTALLED WITH SUFFICIENT SLOPE TO PROVIDE DRAINAGE TO NEAREST VALVE.
 1. PLASTIC FITTINGS TO BE SEALED WITH SEALANT 84456-01-000.

NOTES:

WINNEBAGO		COPYRIGHT 2004 WINNEBAGO INDUSTRIES, INC.	
DFTR	ORIG. DATE	ALL DIMENSIONS ARE IN MILLIMETERS	
CHKR		FIRST USED	
P.E.		05 D29R	
M.E.		UNSPECIFIED TOLERANCES ARE:	
DSNR		MATERIAL:	
		WHOLE DIM (X)	: 3
		ONE-PLACE (X.X)	: 1.5
		TWO-PLACE (X.XX)	: 0.50
		ANGLE	: 1°
THIRD ANGLE PROJECTION		DO NOT SCALE DRAWING	
TITLE: WATER SYSTEM INSTL			
SHEET 1 OF 4		PART NO 150081	

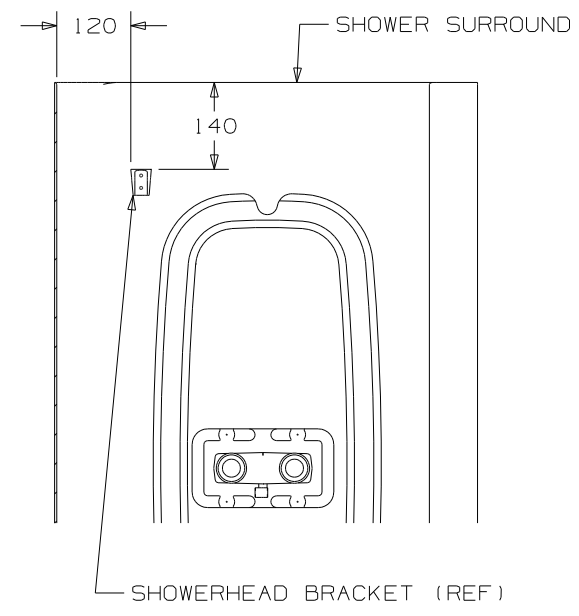
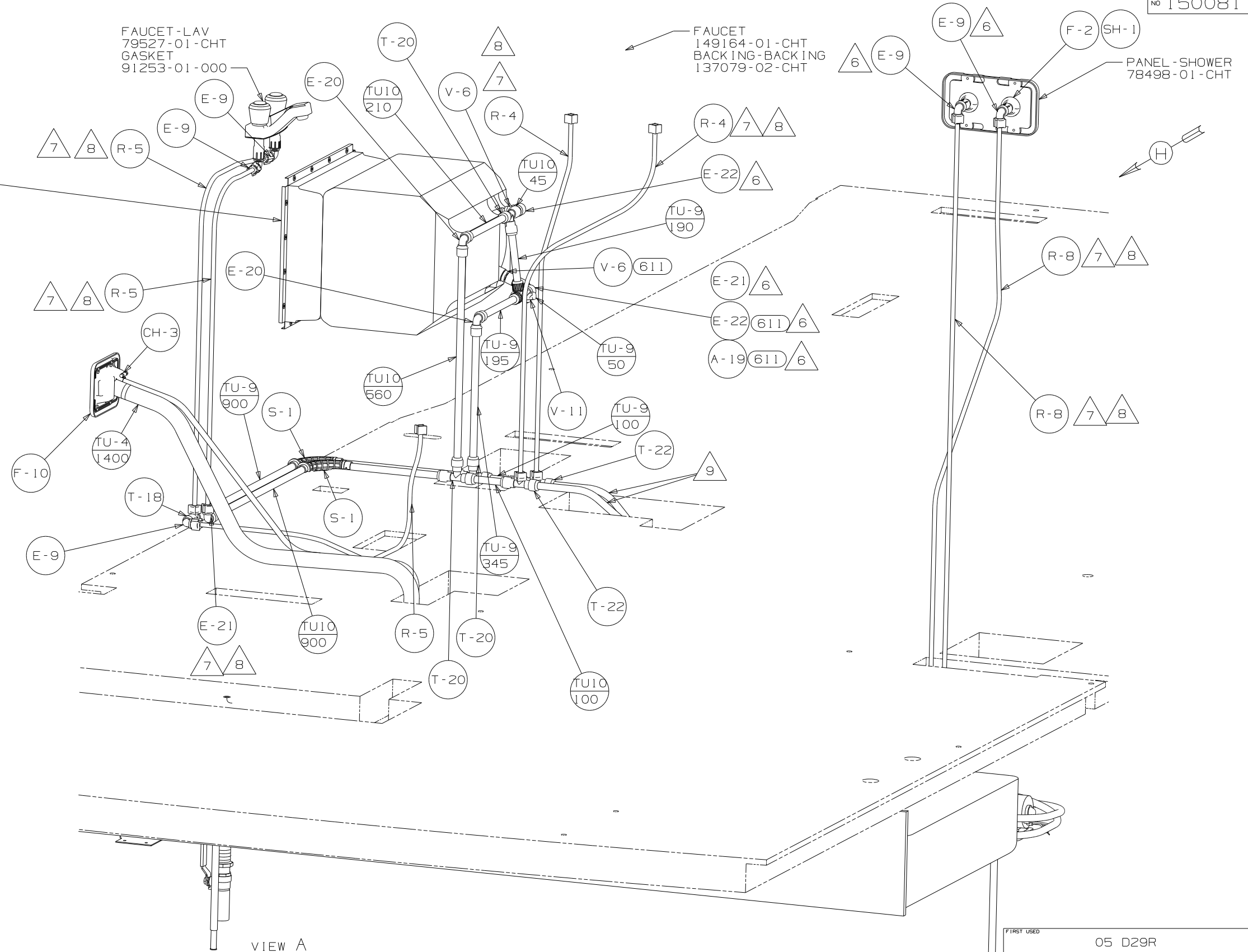
(X-X)
FOR
WATER
CALLOUTS
SEE DWG NO
116230-01-000

FAUCET-LAV
79527-01-CHT
GASKET
91253-01-000

FAUCET
149164-01-CHT
BACKING-BACKING
137079-02-CHT

PANEL-SHOWER
78498-01-CHT

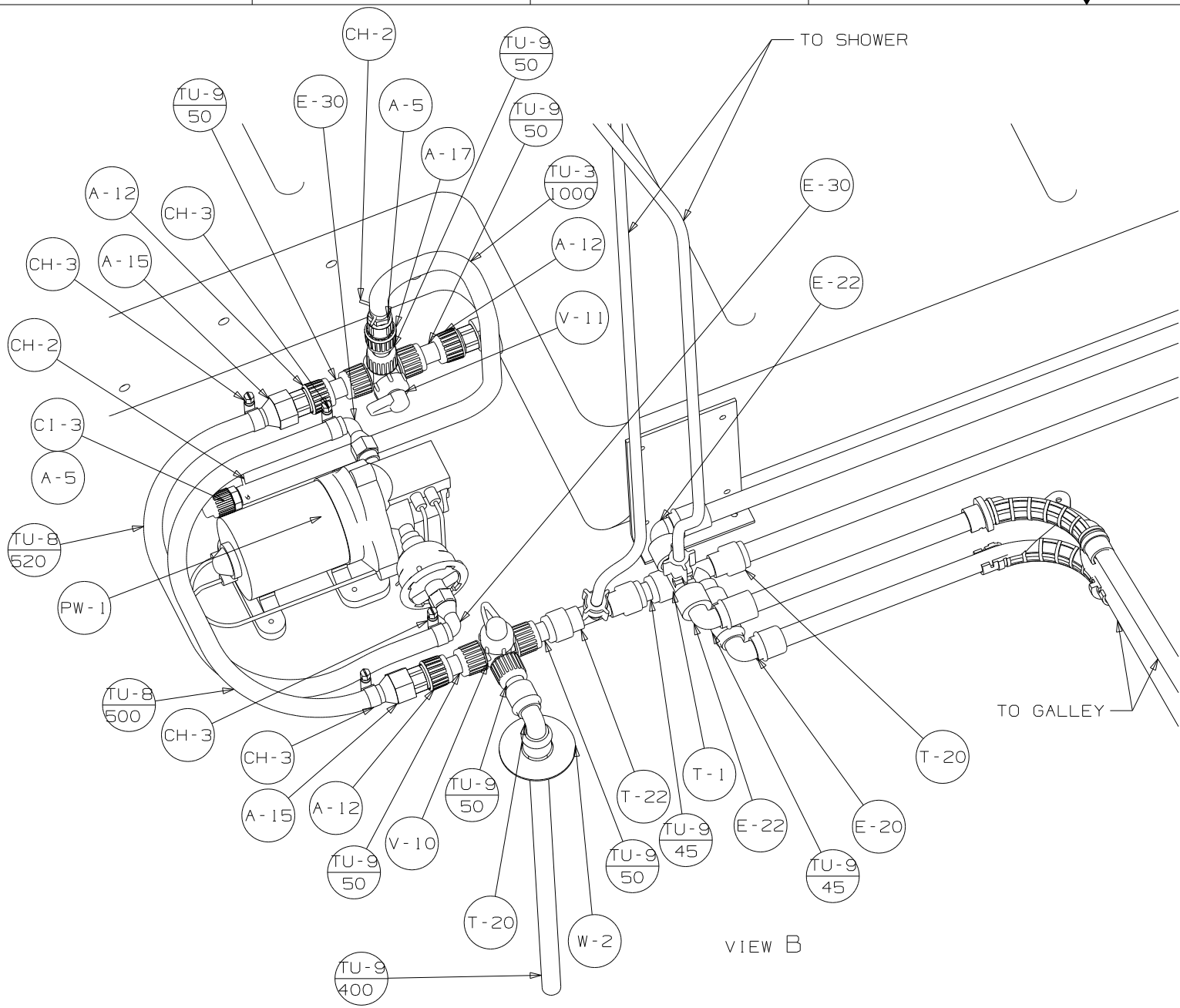
53F WATER HEATER
51391-03-000
611 51393-01-000
DOOR
052009-06-000
SCREW
G39-10-10T(16)
CABLE
76767-03-000
SCREW
G11-06-08B(2)
AL EXTR
2726-01-212(2)
SCREW
G39-10-169(18)
SEALANT



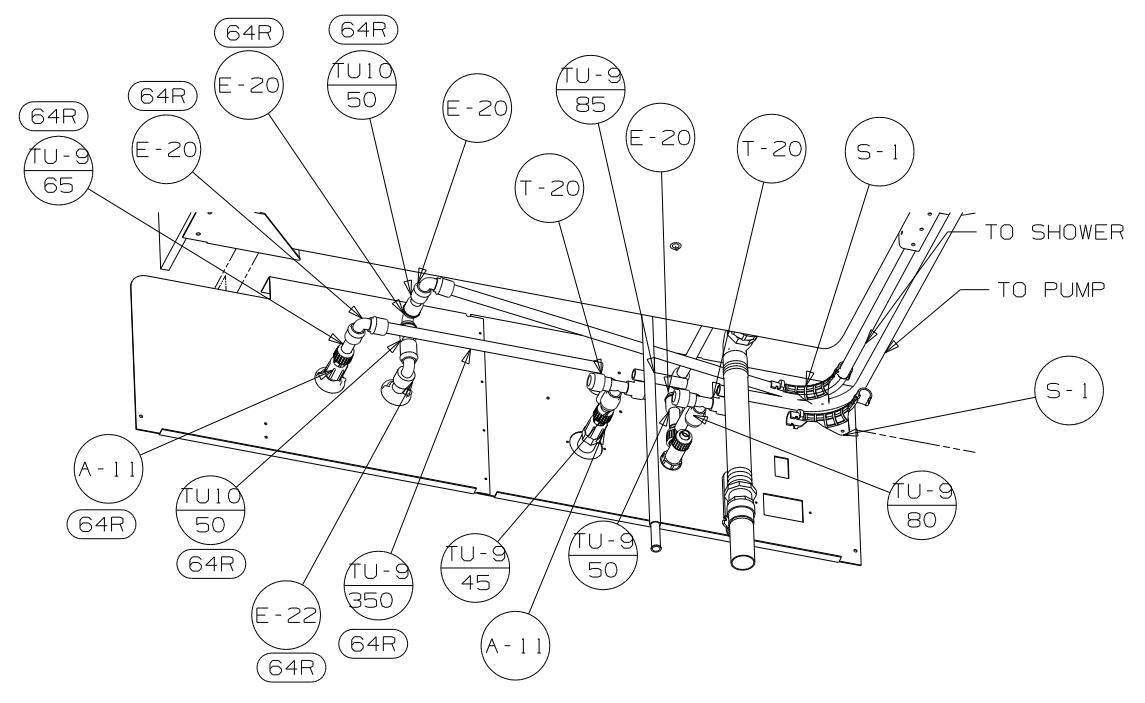
VIEW H

VIEW A

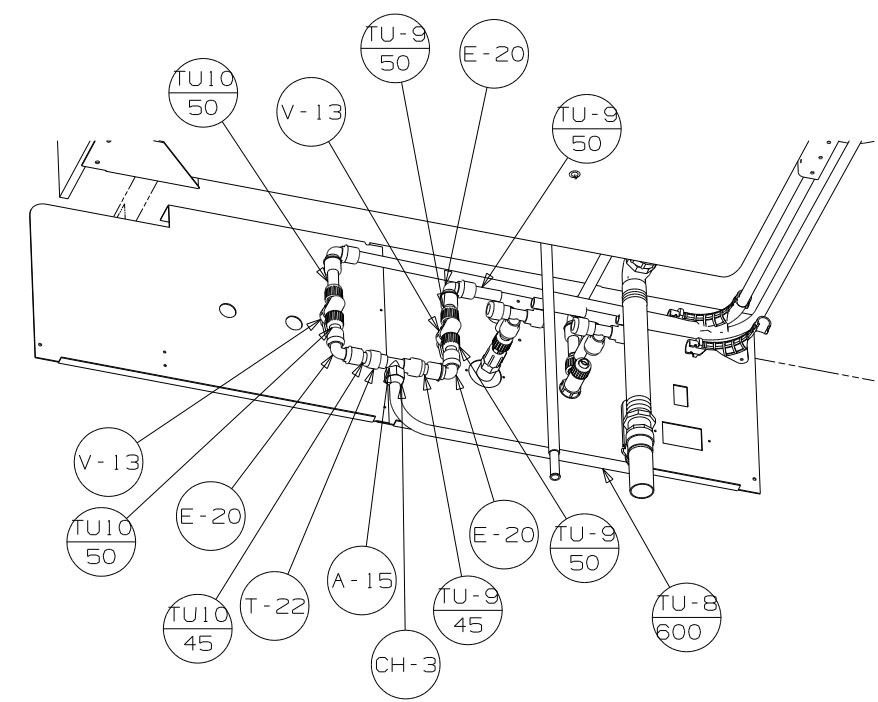
FIRST USED	05 D29R
TITLE	DO NOT SCALE DRAWING
SHEET 2	PART NO 150081



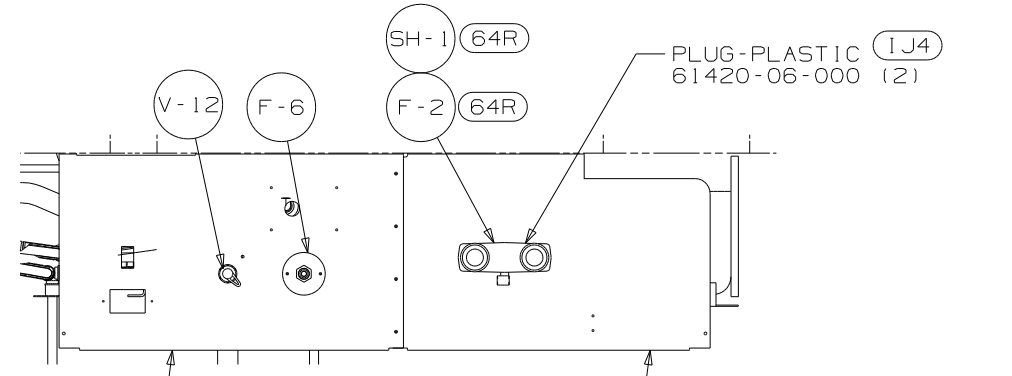
VIEW B



VIEW D

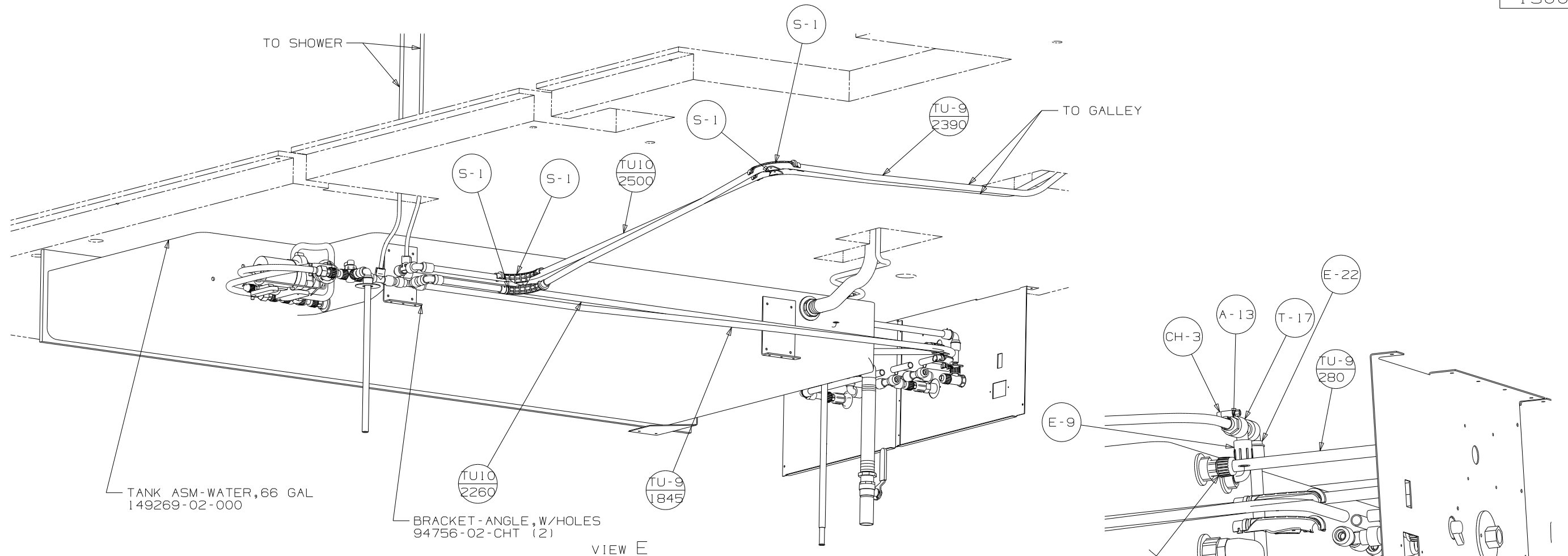


VIEW D

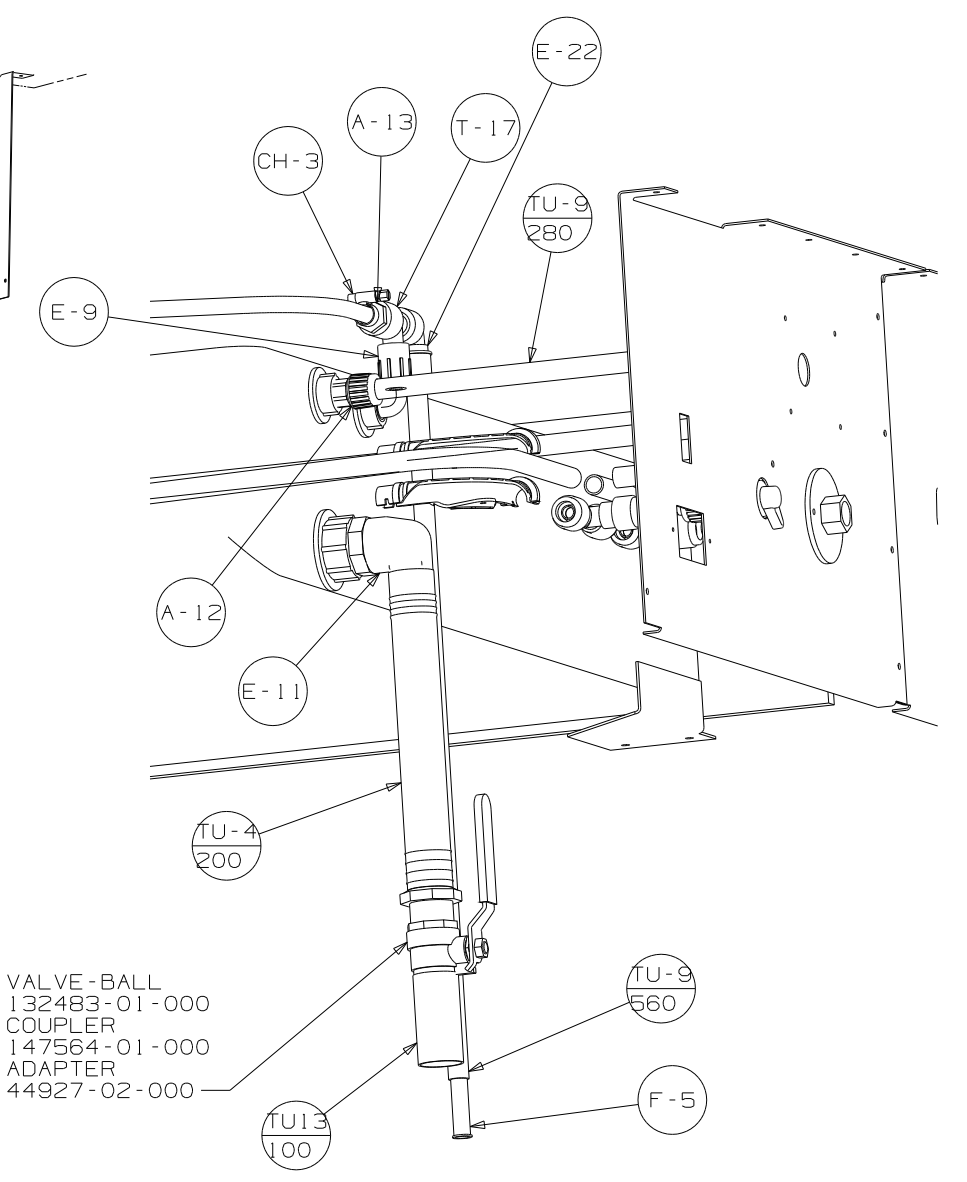
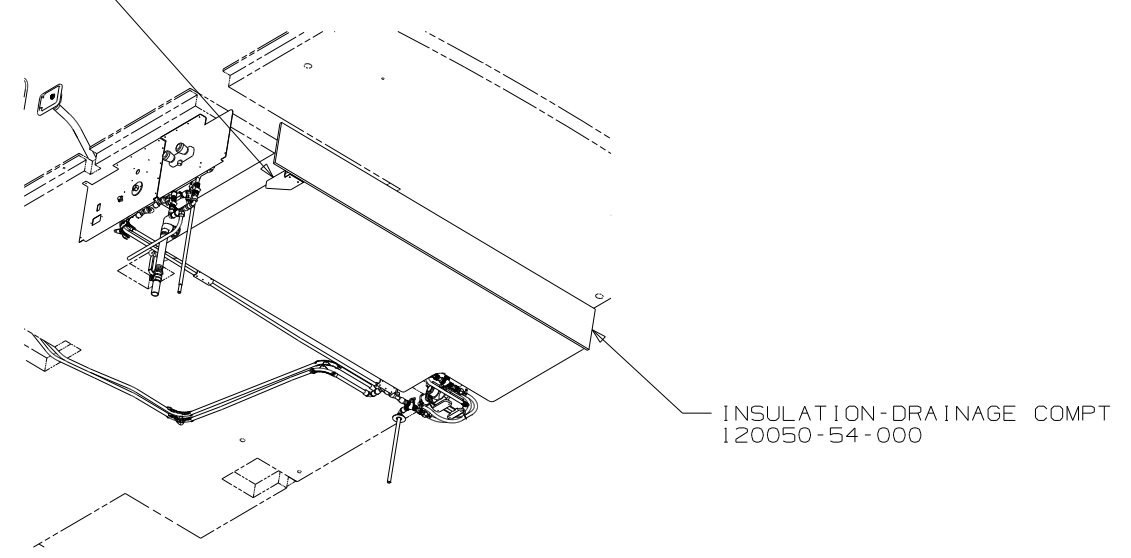


VIEW C

FIRST USED	05 D29R
TITLE	DO NOT SCALE DRAWING
TITLE	WATER SYSTEM INSTL
SHEET 3	PART NO 150081



BRACKET - TIEDOWN, WATER TANK 139004-01-CHT



FIRST USED	05 D29R
TITLE	DO NOT SCALE DRAWING
SHEET 4	PART NO 150081