



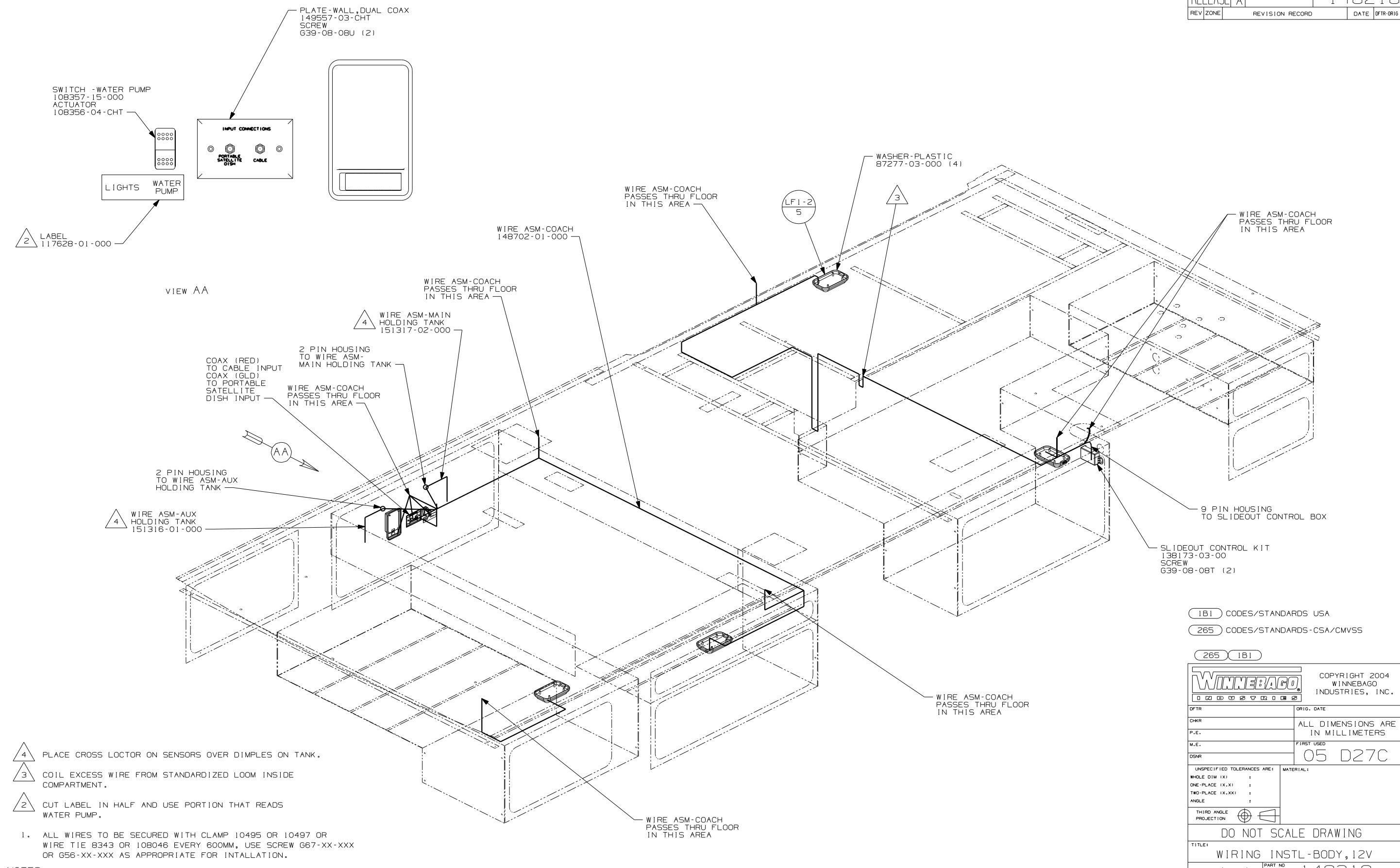
**DANGER**

**Danger of electrical shock, burns or death.** Always remove all power sources before attempting any repair, service or diagnostic work. Power can be present from shore power, generator, inverter or battery. All power sources must be disabled and secured before performing any service.



**CAUTION**

If you lack the skills, tools or equipment to perform diagnostic or repair work leave such work to an authorized Winnebago Industries dealer or other qualified shop.



- △ 4 PLACE CROSS LOCTOR ON SENSORS OVER DIMPLES ON TANK.
- △ 3 COIL EXCESS WIRE FROM STANDARDIZED LOOM INSIDE COMPARTMENT.
- △ 2 CUT LABEL IN HALF AND USE PORTION THAT READS WATER PUMP.
1. ALL WIRES TO BE SECURED WITH CLAMP 10495 OR 10497 OR WIRE TIE 8343 OR 108046 EVERY 600MM, USE SCREW G67-XX-XXX OR G56-XX-XXX AS APPROPRIATE FOR INTALLATION.

NOTES:

(1B1) CODES/STANDARDS USA  
 (265) CODES/STANDARDS-CSA/CMVSS  
 (265) (1B1)

**WINNEBAGO** COPYRIGHT 2004 WINNEBAGO INDUSTRIES, INC.

DFTR	ORIG. DATE
CHKR	ALL DIMENSIONS ARE IN MILLIMETERS
P.E.	
M.E.	FIRST USED
DSNR	05 D27C

UNSPECIFIED TOLERANCES ARE: MATERIAL:

WHOLE DIM (X.)	:	
ONE-PLACE (X.X)	:	
TWO-PLACE (X.XX)	:	
ANGLE	:	

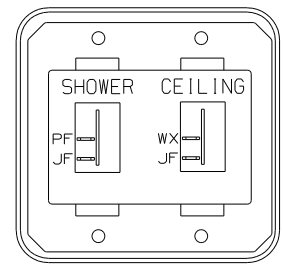
THIRD ANGLE PROJECTION

DO NOT SCALE DRAWING

TITLE: WIRING INSTL-BODY, 12V

SHEET 1 of 4 PART NO 148218

REF: 145050 1 07/19/2004



DETAIL BA

SWITCH-ROCKER  
135740-01-CHT (2)  
SWITCH-BASE  
135741-02-CHT  
SWITCH-BEZEL  
135742-15-CHT  
SCREW  
G11-08-08U (4)

WIRE ASM-OVHD  
10M → 133574-01-000  
14W → 148790-01-000

LAMP-READING  
149590-01-CHT  
SCREW  
G11-08-16J (2)

LIGHT-READING  
10M → 132427-01-CHT (2)  
SCREW  
G13-06-16U (6)

2-PIN HOUSING  
TO WIRE ASM-SIDEWALL

LAMP  
93575-12-CHT  
BULB  
117805-01-000 (2)  
CONNECTOR  
58028-01-000 (2)  
SCREW  
G11-08-10J (2)  
SWITCH  
SEE DETAIL BB

14W

SWITCH ASM-SLIDEOUT  
138173-04-000  
SCREW  
76790-05-000  
LABEL  
116549-01-000

WALLPLATE-TV  
76319-27-000

1JC

TV-COLOR 13"DC  
86231-10-000  
CABLE ASM-COAX  
87105-01-009  
BRACKET-TV  
144819-01-CHT  
SCREW  
G67-10-12B (18)  
BRACKET-2 W/HOLES  
146783-01-CHT

SWITCH-TV  
132180-01-CHT  
SWITCH-PLATE  
098351-14-CHT  
SCREW  
G11-06-16U (2)

RECEPTACLE-12V  
132958-01-000  
SCREW  
G11-08-12B (2)  
SEE DETAIL BC

PANEL-MONITOR  
134940-06-CHT  
SCREW  
G11-08-08U (4)

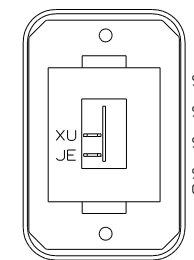
6-PIN HOUSING  
TO WIRE ASM-SIDEWALL

THERMOSTAT  
135618-03-CHT ← 250  
135618-01-CHT ← 29J  
SCREW  
G13-07-12B (2)

SWITCH  
135740-01-CHT  
BASE  
135741-01-CHT  
BEZEL  
135742-07-CHT  
SCREW  
G11-08-08U (2)

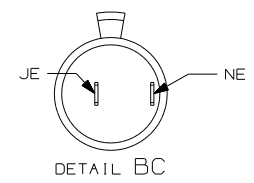
DETAIL BA

SWITCH  
135740-01-CHT  
BASE  
135741-01-CHT  
BEZEL  
135742-01-CHT  
SCREW  
G11-08-08U (2)



DETAIL BB 14W

SWITCH-ROCKER  
135740-01-CHT  
SWITCH-BASE  
135741-01-CHT  
SWITCH-BEZEL  
135742-01-CHT  
SCREW  
G11-08-08U (2)



DETAIL BC

- 14W DINETTE
- 10M COUCH
- 250 A/C ROOF AIR (1) 14,800 BTU
- 29J AC HEAT PUMP-1
- 1JC TV-13" W/VIDEO SELECTION SYS
- 265 CODES/STANDARDS-CSA/CMVSS
- 1B1 CODES/STANDARDS USA

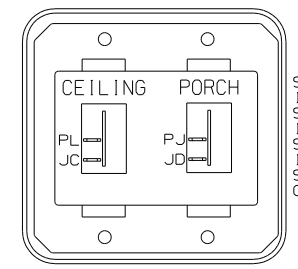
1B1 265

FIRST USED	05 D27C
TITLE	DO NOT SCALE DRAWING
TITLE	WIRING INSTL-BODY, 12V
SHEET 2	PART NO 148218

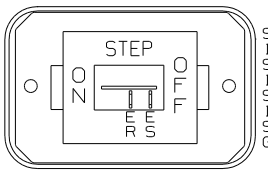
2. ALL WIRES TO BE SECURED WITH CLAMP 10495 OR 10497 OR WIRE TIE 8343 OR 108046 EVERY 600MM, USE SCREW G67-XX-XXX OR G56-XX-XXX AS APPROPRIATE FOR INTALLATION.

SEE WIRING INSTL-FRONT END FOR ADDITIONAL INFORMATION.

NOTES:

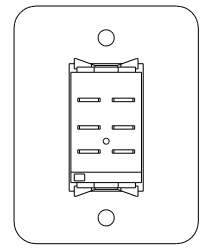


SWITCH-ROCKER  
135740-01-CHT (2)  
SWITCH-BASE  
135741-02-CHT  
SWITCH-BEZEL  
135742-19-CHT  
SCREW  
G11-08-08U (4)



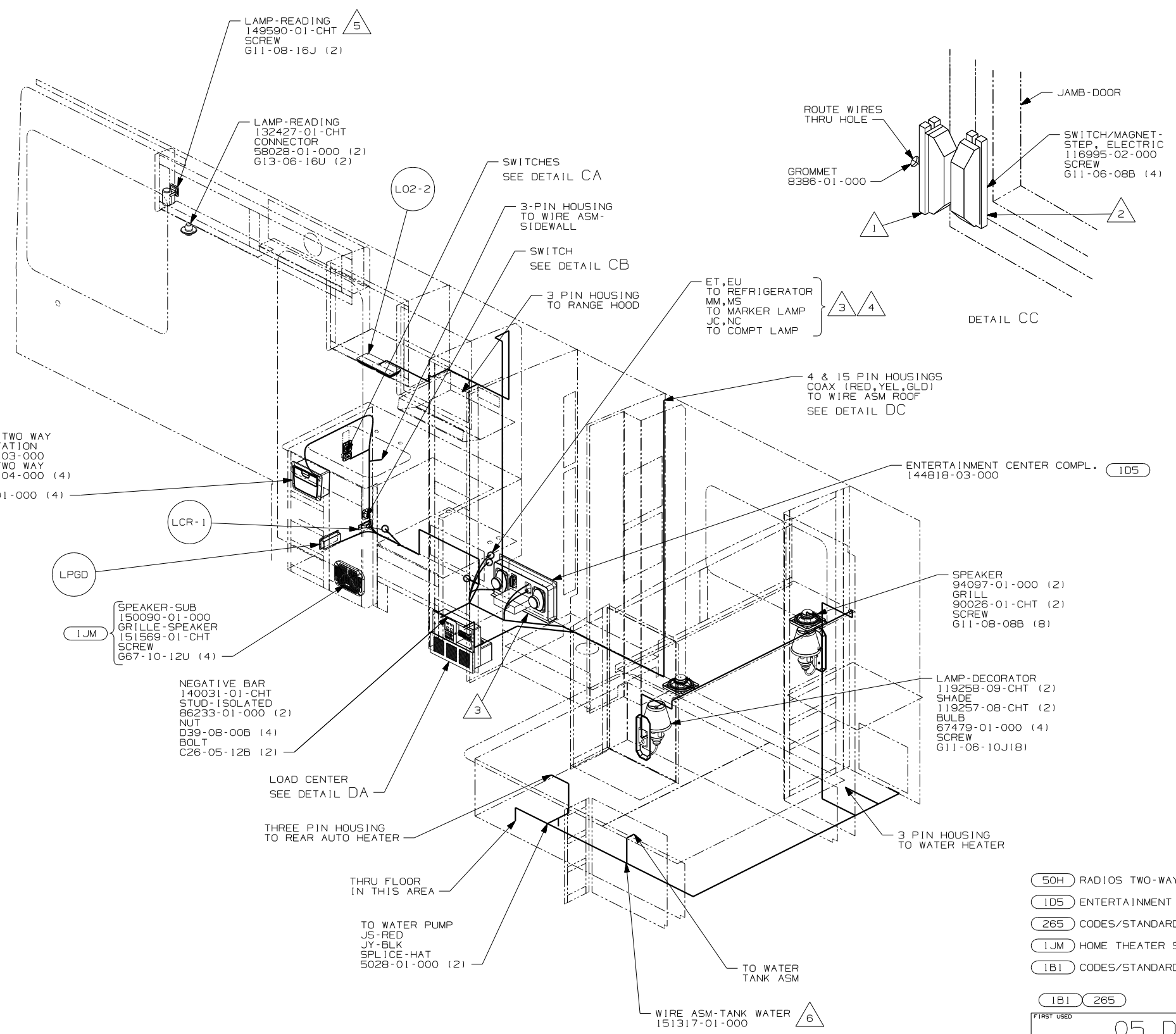
SWITCH-ROCKER  
135740-01-CHT  
SWITCH-BASE  
135741-01-CHT  
SWITCH-BEZEL  
135742-11-CHT  
SCREW  
G11-08-08U (2)

DETAIL CA



SWITCH-BATTERY, DISCONNECT  
108357-06-000  
ACTUATOR-SWITCH  
108356-11-CHT  
PLATE-SWITCH  
98351-07-CHT  
SCREW  
G11-06-16U (2)  
CIRCUITS  
AG, JA, AF  
JS, JY

DETAIL CB



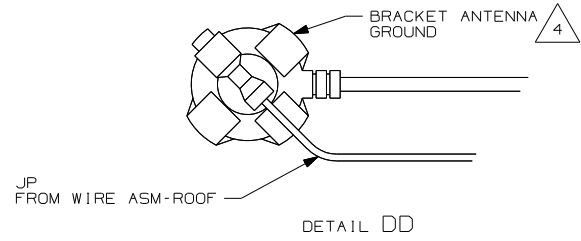
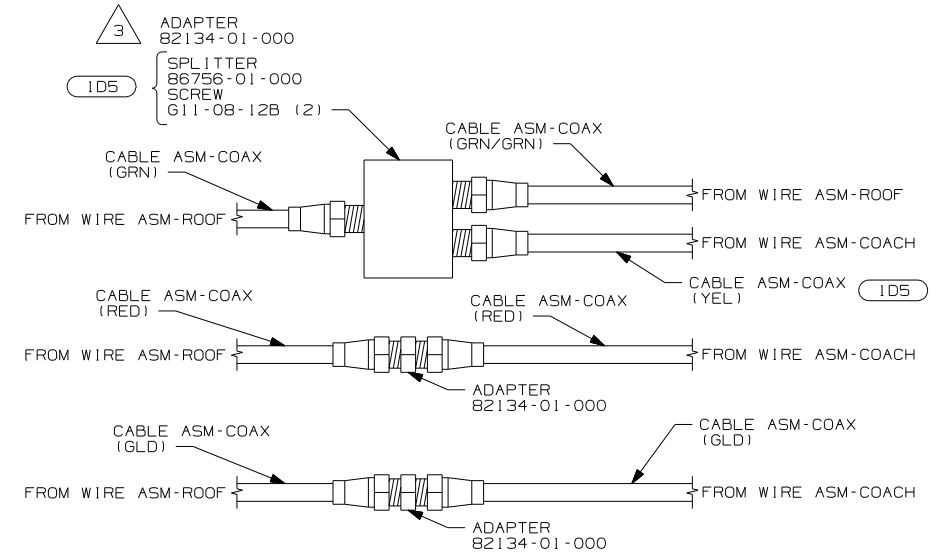
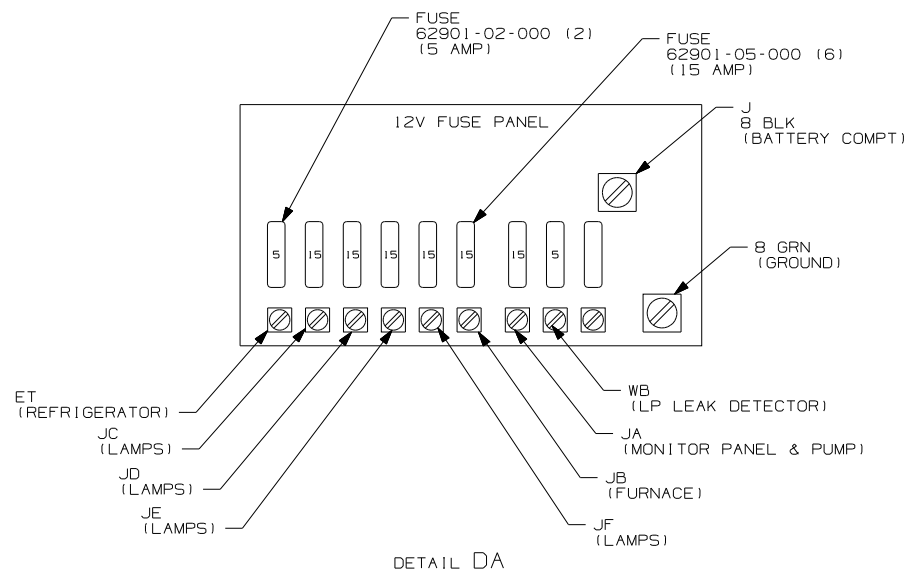
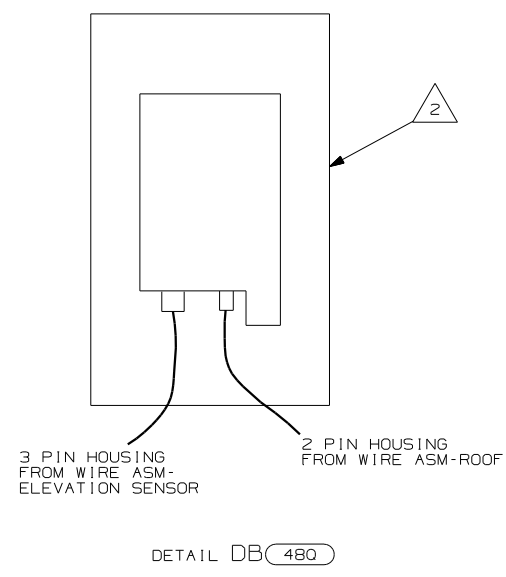
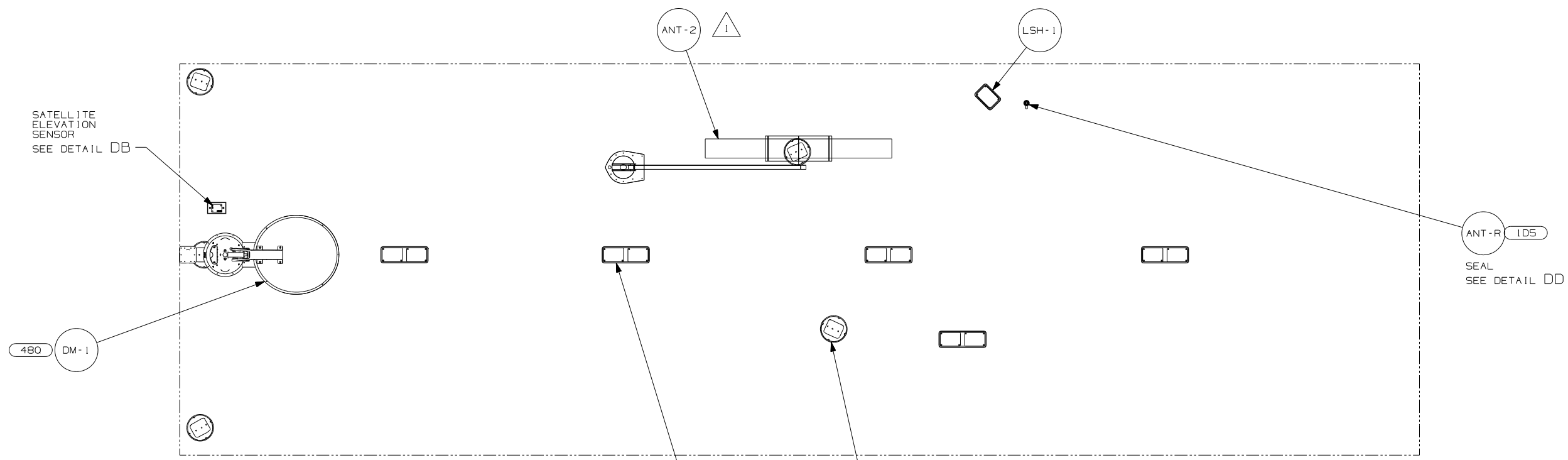
7. ALL WIRES TO BE SECURED WITH CLAMP 10495 OR 10497 OR WIRE TIE 8343 OR 108046 EVERY 600MM, USE SCREW G67-XX-XXX OR G56-XX-XXX AS APPROPRIATE FOR INTALLATION.

- 6 PLACE CROSS LOCTOR ON SENSORS OVER DIMPLES ON TANK.
- 5 SEE WIRING INSTL-FRONT END FOR ADDITIONAL INFORMATION.
- 4 NOT USED ON THIS UNIT
- 3 COIL EXCESS WIRE FROM STANDARDIZED LOOM HERE
- 2 MOUNT MAGNET USING PILOT HOLES IN SCREEN DOOR FRAME. MOUNT WITH MAGNET TOWARDS SWITCH.
- 1 MOUNT SWITCH AND SPACER TO BLOCK ON JAMB, ADJUST HEIGHT TO MATCH MAGNET

NOTES:

- 50H RADIOS TWO-WAY (4)
- 105 ENTERTAINMENT CENTER/EXT W/CD
- 265 CODES/STANDARDS-CSA/CMVSS
- IJM HOME THEATER SOUND SYSTEM
- 1B1 CODES/STANDARDS USA

FIRST USED	05 D27C
TITLE	DO NOT SCALE DRAWING
	WIRING INSTL-BODY, 12V
SHEET 3	PART NO 148218



- NOTES:
- 4 WRAP BRACKET LEGS AROUND ANTENNA BASE.
  - 3 WITHOUT 1D5 USE ADAPTOR & CONNECT GRN COAX TO GRN/GRN COAX
  - 2 SENSOR SUPPLIED WITH SATELLITE ASSEMBLY.
  - 1 SEE DWG 76319-01-000 FOR INSTALLATION INSTRUCTIONS.

- 480 SATELLITE DISH & ELEV.SENSOR
- 1D5 ENTERTAINMENT CENTR/EXT W/CD
- 265 CODES/STANDARDS-CSA/CMVSS
- 1JM HOME THEATER SOUND SYSTEM
- 1B1 CODES/STANDARDS USA

FIRST USED	05 D27C
DO NOT SCALE DRAWING	
TITLE:	WIRING INSTL-BODY, 12V
SHEET 4	PART NO 148218