

FRONT
OF
COACH

- NOTES:
- 1 VENT PIPE MUST PROJECT 51 MIN AND 64 MAX ABOVE ROOF FOR PROPER FIT AND FUNCTION.
 - 2. SLOPE OF HORIZONTAL PIPING TO BE 6 PER 305 mm.
 - 3. SLOPE OF TRAP ARM MUST BE 6 PER 305 mm.
 - 4. ALL PIPE AND FITTING TO BE ASSEMBLED WITH SOLVENT 4020-01-000 (US), 4020-02-000 (CAN).
 - 5. ALL EXTERIOR OPENINGS AROUND PIPE TO BE SEALED WITH 110744-01-000.
 - 6. SEAL AROUND SHOWER WITH SILICONE.
 - 7 VALVE TERMINATION TEE TO BE POSITIONED AT 10° DOWN AND OUTBOARD.

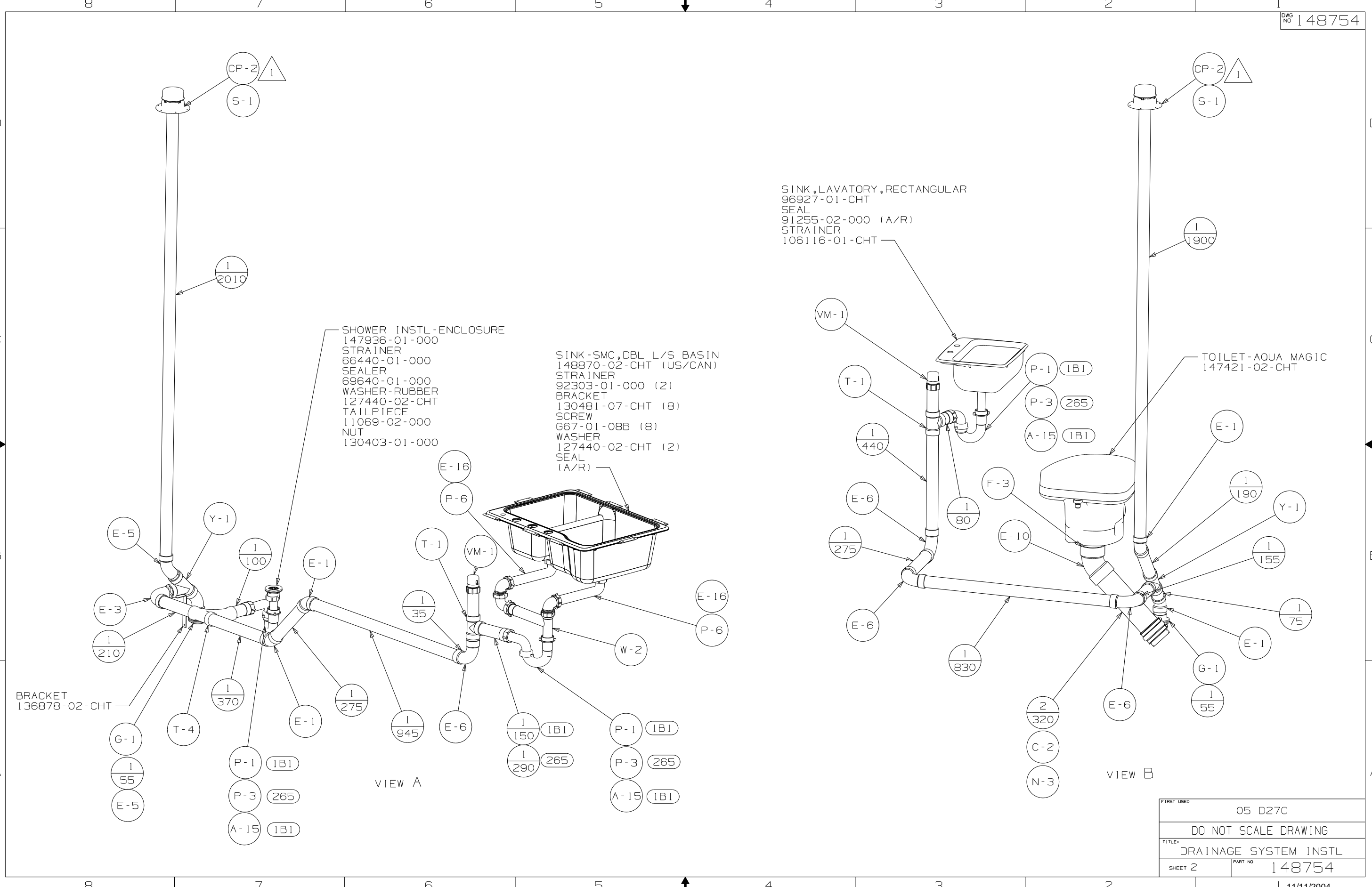
(B1) CODES/STANDARDS-USA
(265) CODES/STDS-CSA/CMVSS



DFTR	ORIG. DATE
CHKR	ALL DIMENSIONS ARE IN MILLIMETERS
P.E.	
M.E.	FIRST USED
DSNR	05 D27C
UNSPECIFIED TOLERANCES ARE:	
WHOLE DIM (X)	: 3
ONE-PLACE (X.X)	:
TWO-PLACE (X.XX)	:
ANGLE	:
THIRD ANGLE PROJECTION	

FOR DRAINAGE CALLOUTS SEE DWG NO 116229-01-000

DO NOT SCALE DRAWING
TITLE: DRAINAGE SYSTEM INSTL
SHEET 1 OF 3 PART NO 148754



SINK, LAVATORY, RECTANGULAR
 96927-01-CHT
 SEAL
 91255-02-000 (A/R)
 STRAINER
 106116-01-CHT

SHOWER INSTL-ENCLOSURE
 147936-01-000
 STRAINER
 66440-01-000
 SEALER
 69640-01-000
 WASHER-RUBBER
 127440-02-CHT
 TAILPIECE
 11069-02-000
 NUT
 130403-01-000

SINK-SMC, DBL L/S BASIN
 148870-02-CHT (US/CAN)
 STRAINER
 92303-01-000 (2)
 BRACKET
 130481-07-CHT (8)
 SCREW
 G67-01-08B (8)
 WASHER
 127440-02-CHT (2)
 SEAL
 (A/R)

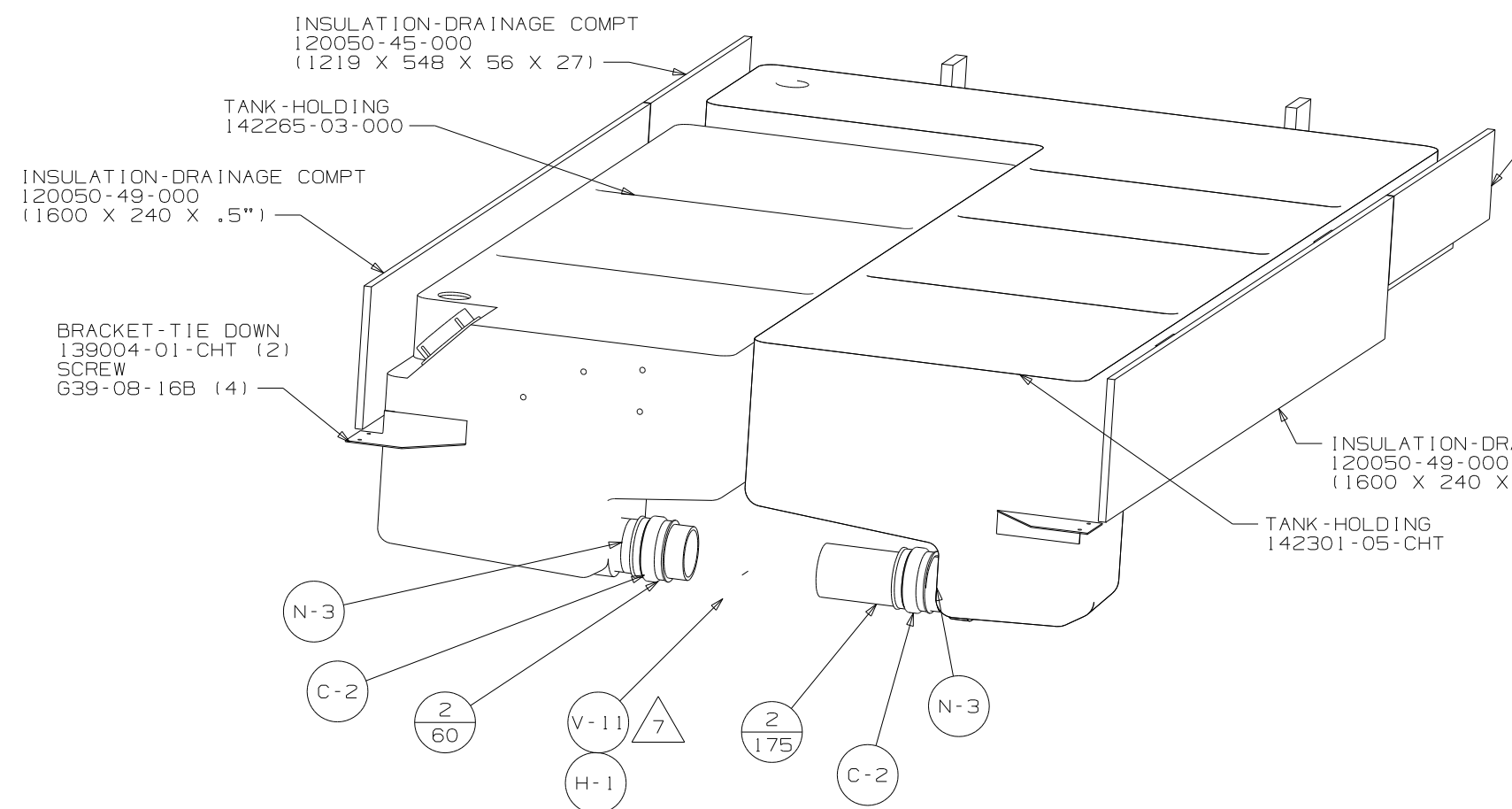
TOILET-AQUA MAGIC
 147421-02-CHT

BRACKET
 136878-02-CHT

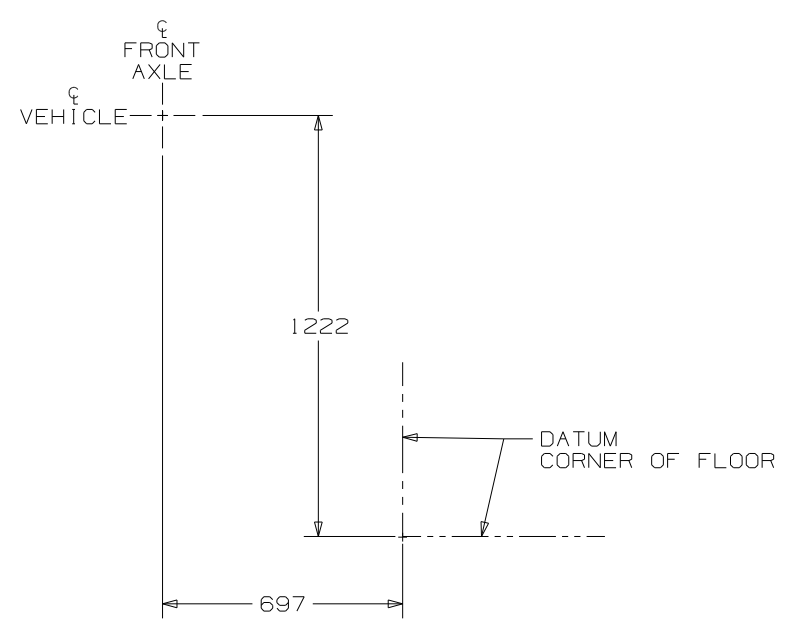
VIEW A

VIEW B

FIRST USED	05 D27C
DO NOT SCALE DRAWING	
TITLE	DRAINAGE SYSTEM INSTL
SHEET 2	PART NO 148754



VIEW C



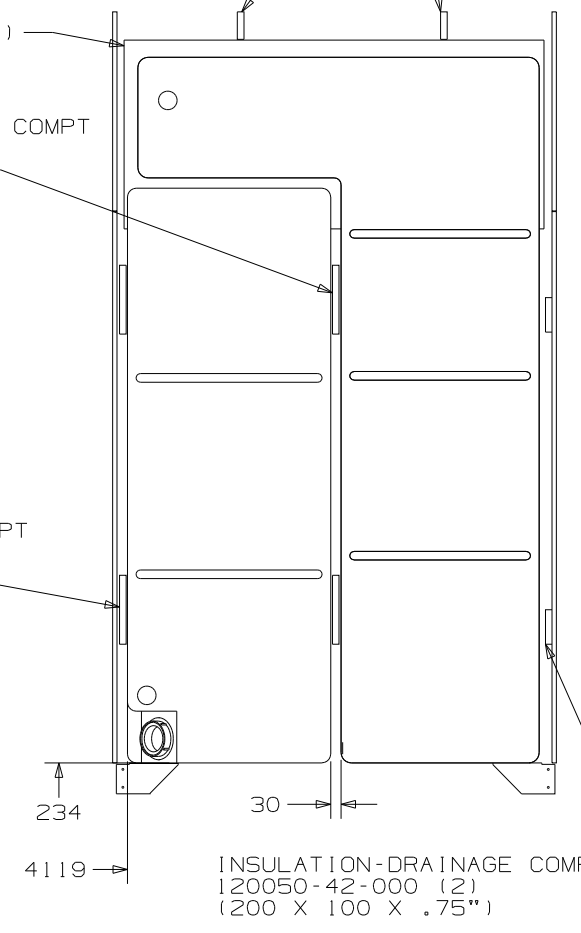
VIEW D

INSULATION-DRAINAGE COMPT
120050-47-000 (2)
(200 X 80 X 1.5")

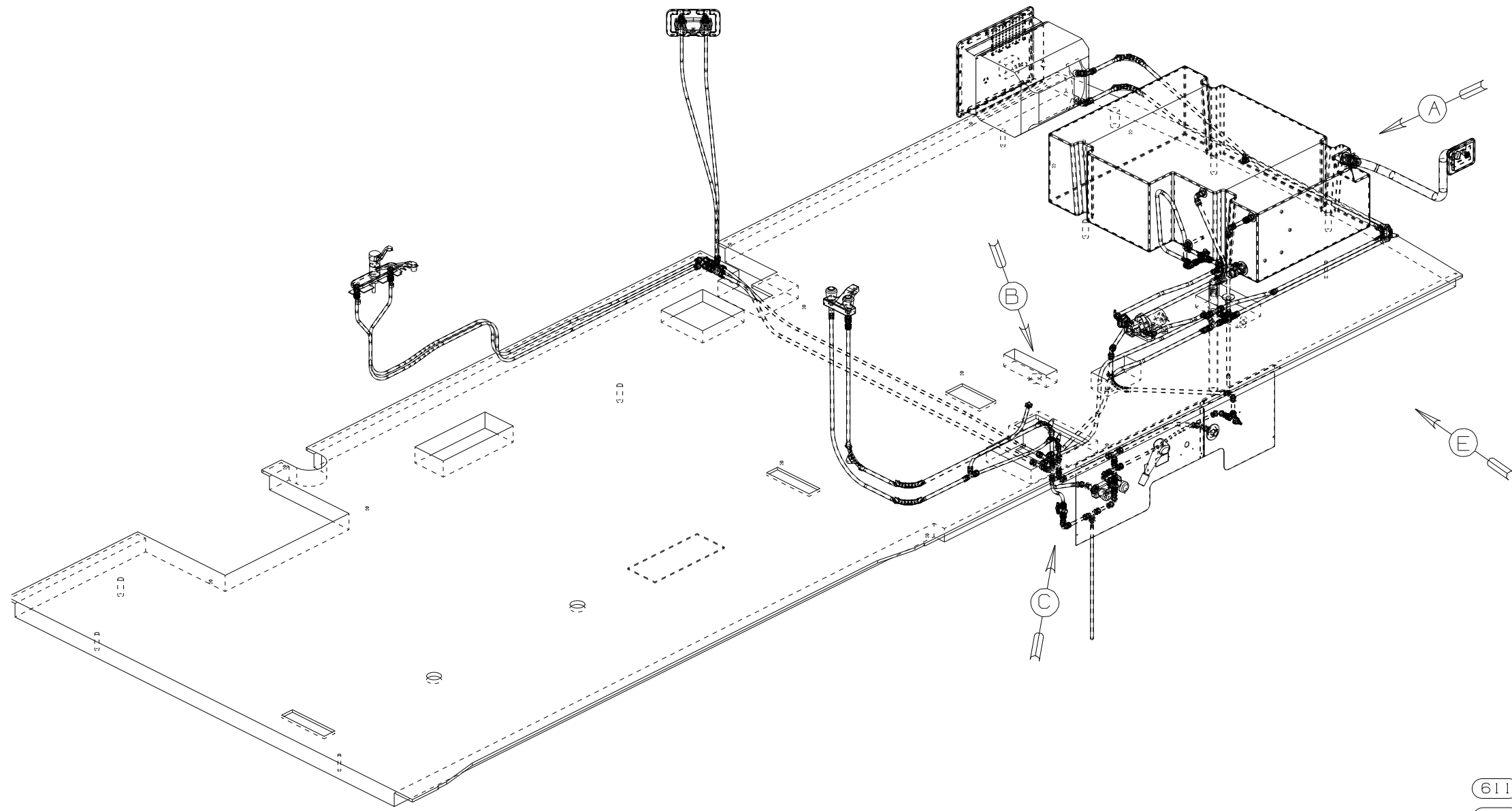
FOAM-SUPPORT, HOLDING TANK
130223-09-000
(1219 X 548 X 56 X 27)

INSULATION-DRAINAGE COMPT
120050-47-000 (2)
(200 X 80 X 1.5")

INSULATION-DRAINAGE COMPT
120050-47-000 (2)
(200 X 80 X 1.5")



FIRST USED	05 D27C
DO NOT SCALE DRAWING	
TITLE	DRAINAGE SYSTEM INSTL
SHEET 3	PART NO 148754

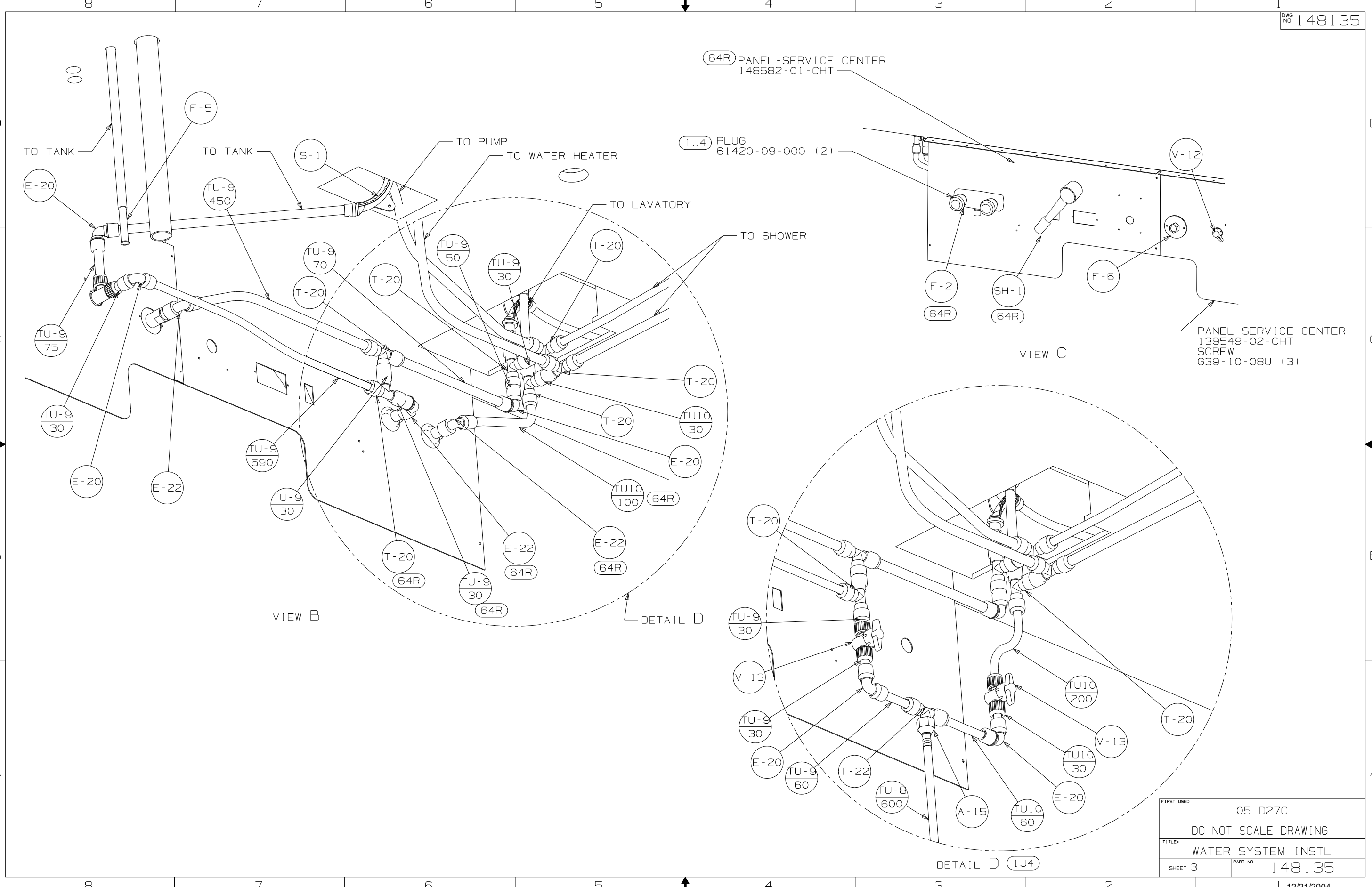


- 10 ADD PIPE WRAP (LADDER SCRAP) INSULATION HERE.
- 9 LABEL THE HOT AND COLD SUPPLY TUBES.
 - 8 TAPE FITTING TO TUBE BEFORE CABINET SET TO PREVENT FITTING FROM MOVING.
 - 7 ADD TEFLON TAPE 10405-01-000 TO FITTINGS.
 - 6 ADD TEFLON TAPE 10405-03-000 TO FITTING.
 - 5 ADD TEFLON TAPE 10405-02-000 TO FITTINGS.
 - 4 CLAMPS MUST BE ON BARBS.
3. ALL TUBING TO BE SECURED AT 1200 INTERVALS MAXIMUM WITH CLAMP 10495-01-000 OR CLIP 9151-01-000 AND SCREW 667-10-12B.
2. TUBING TO BE INSTALLED WITH SUFFICIENT SLOPE TO PROVIDE DRAINAGE TO NEAREST VALVE.
1. PLASTIC FITTINGS TO BE SEALED WITH SEALANT 84456-01-000.

- 611 MOTORAID & AUX. HEATER
- 1J4 W/O EXTERIOR WASH STATION
- 64R EXTERIOR WASH STATION

WINNEBAGO		COPYRIGHT 2004 WINNEBAGO INDUSTRIES, INC.	
DFTR	ORIG. DATE	ALL DIMENSIONS ARE IN MILLIMETERS	
CHKR		FIRST USED	
P.E.		05 D27C	
M.E.		UNSPECIFIED TOLERANCES ARE:	
DSNR		MATERIAL:	
		WHOLE DIM (X)	: 3
		ONE-PLACE (X.X)	:
		TWO-PLACE (X.XX)	:
		ANGLE	:
THIRD ANGLE PROJECTION		DO NOT SCALE DRAWING	
TITLE: WATER SYSTEM INSTL			
SHEET 1 OF 4		PART NO 148135	

(X-X)
FOR
WATER
CALLOUTS
SEE DWG NO
116230-01-000



64R PANEL-SERVICE CENTER
148582-01-CHT

IJ4 PLUG
61420-09-000 (2)

PANEL-SERVICE CENTER
139549-02-CHT
SCREW
639-10-08U (3)

VIEW C

VIEW B

DETAIL D

DETAIL D IJ4

FIRST USED	05 D27C
DO NOT SCALE DRAWING	
TITLE:	WATER SYSTEM INSTL
SHEET 3	PART NO 148135

