



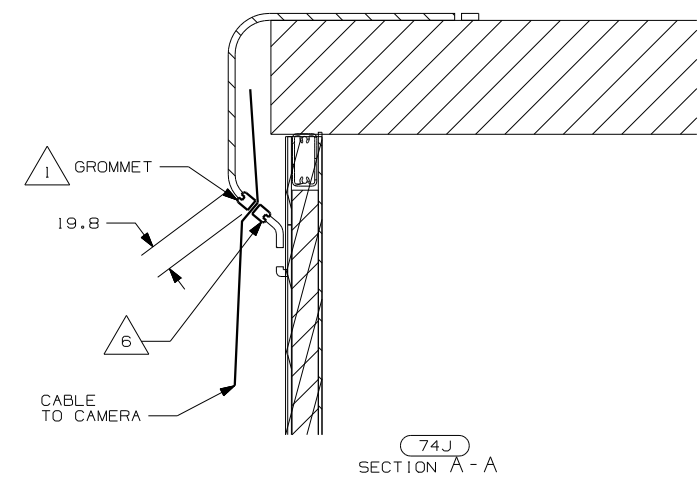
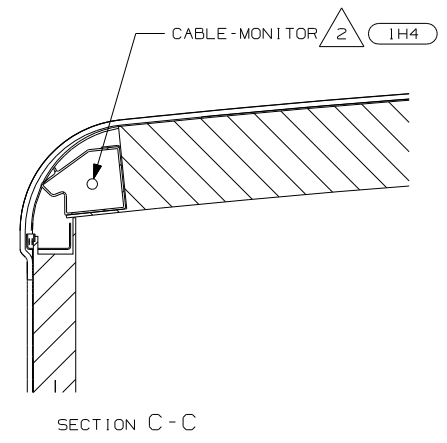
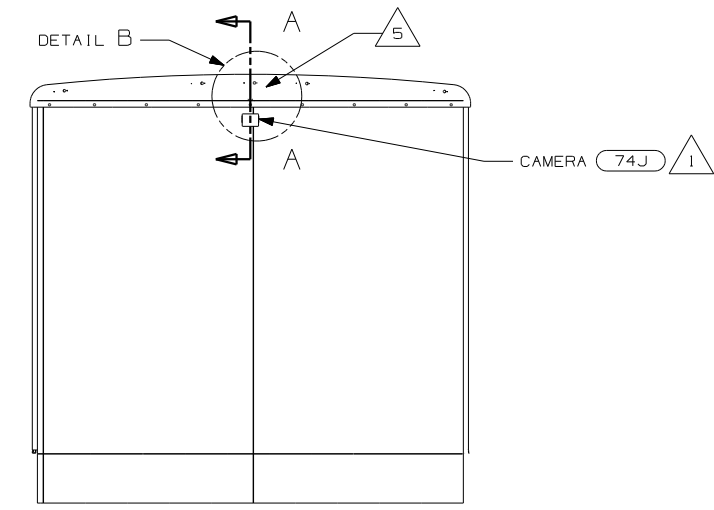
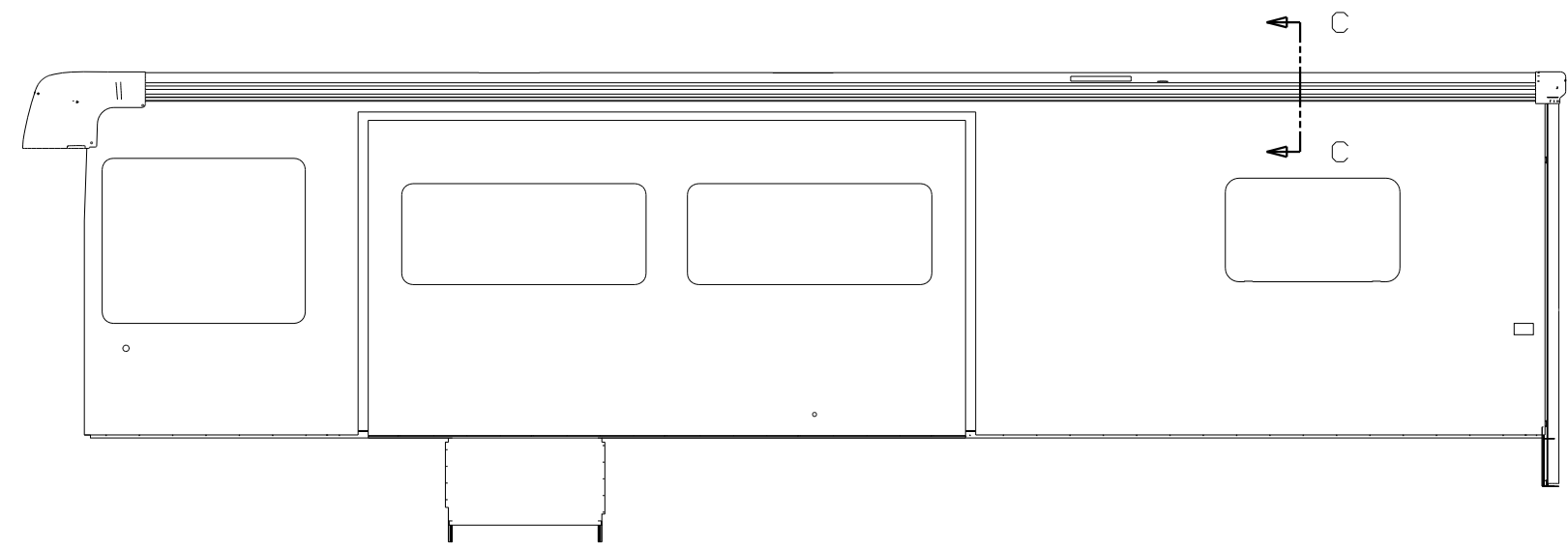
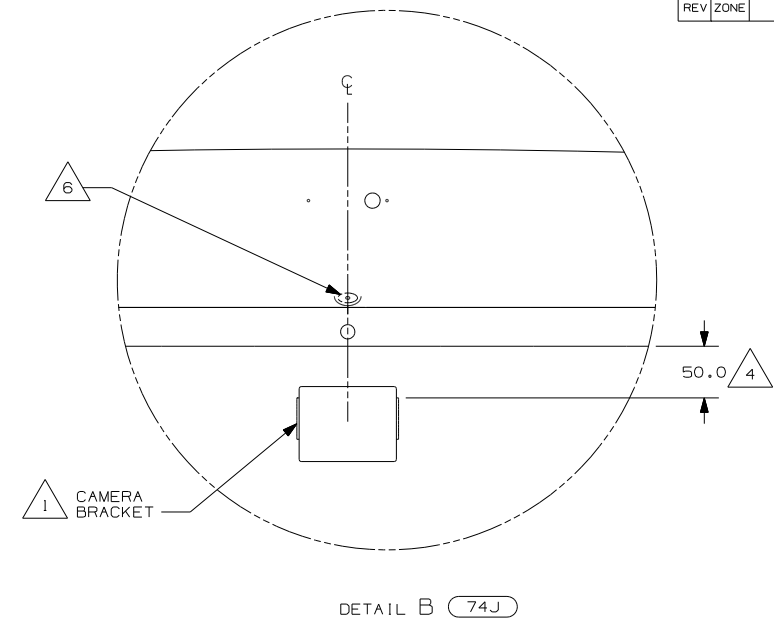
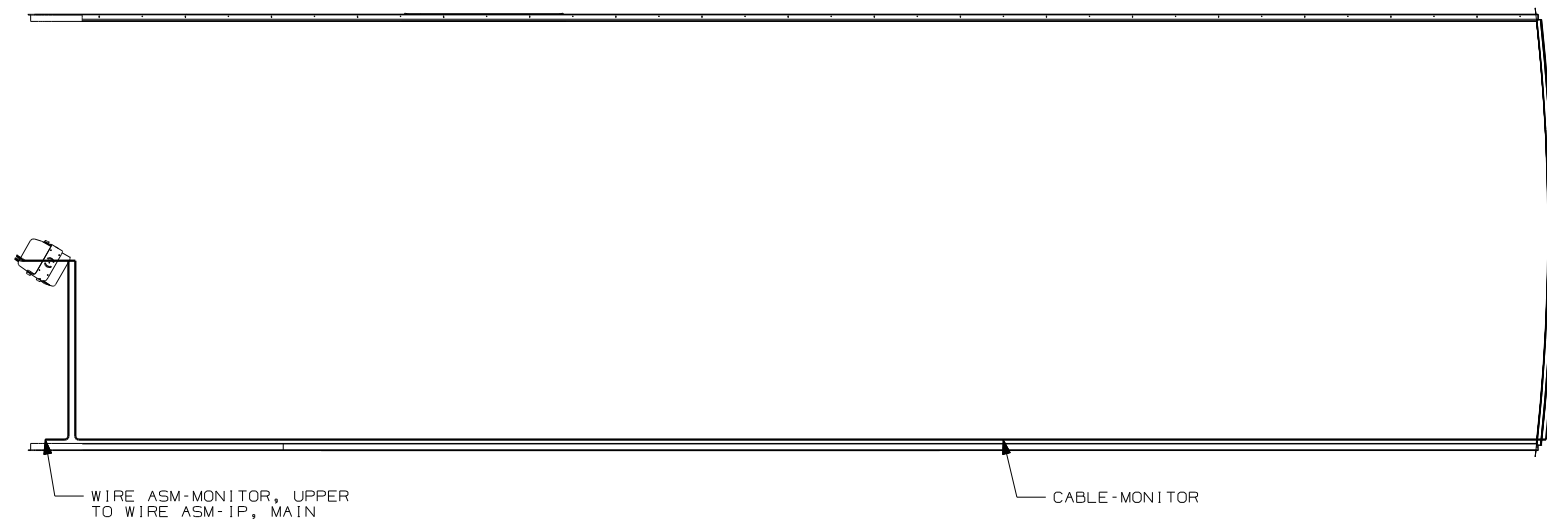
**DANGER**

**Danger of electrical shock, burns or death.** Always remove all power sources before attempting any repair, service or diagnostic work. Power can be present from shore power, generator, inverter or battery. All power sources must be disabled and secured before performing any service.



**CAUTION**

If you lack the skills, tools or equipment to perform diagnostic or repair work leave such work to an authorized Winnebago Industries dealer or other qualified shop.



- (74J) REARVIEW MONITOR SYSTEM
- (1H4) REARVIEW MONITOR-WIRE PREP

- NOTES:
- 6 DRILL Ø19 MM HOLE IN FIBERGLASS BACK CAP FOR ROUTING CAMERA CABLE.
  - 5 END CABLE IN THIS AREA ON UNITS WITHOUT (74J)
  - 4 MEASURED FROM BOTTOM BACKWALL TRIM TO TOP OF CAMERA BRACKET.
  - 3 FACE OF MONITOR TO BE TOWARDS DRIVER, APPROX. 45° OFF CENTER, USE PREDRILLED HOLES IN COVER ASM TV BOTTOM FOR LOCATION.
  - 2 RUN CABLE THROUGH LEFT HAND COVE TO REAR OF UNIT.
  - 1 PARTS SUPPLIED WITH CAMERA P/N 144677-04-000.

|                          |            |   |         |
|--------------------------|------------|---|---------|
| <b>WINNEBAGO</b>         |            | COPYRIGHT 2004 WINNEBAGO INDUSTRIES, INC. |         |
| DFTR                     | ORIG. DATE | ALL DIMENSIONS ARE IN MILLIMETERS         |         |
| CHKR                     |            | 05 D-SERIES                               |         |
| P.E.                     |            | FIRST USED                                |         |
| M.E.                     |            | UNSPECIFIED TOLERANCES ARE:               |         |
| DSNR                     |            | MATERIAL:                                 |         |
|                          |            | WHOLE DIM (X)                             | : ±     |
|                          |            | ONE-PLACE (X.X)                           | : ±0.1  |
|                          |            | TWO-PLACE (X.XX)                          | : ±0.05 |
|                          |            | ANGLE                                     | : ±1°   |
|                          |            | THIRD ANGLE PROJECTION                    | :       |
| DO NOT SCALE DRAWING     |            |   |         |
| TITLE: MONITOR INSTL     |            |   |         |
| SHEET 1 OF 2             |            | PART NO 148637                            |         |
| REF: 145056   04/22/2004 |            |   |         |

