



**DANGER**

**Danger of electrical shock, burns or death.** Always remove all power sources before attempting any repair, service or diagnostic work. Power can be present from shore power, generator, inverter or battery. All power sources must be disabled and secured before performing any service.

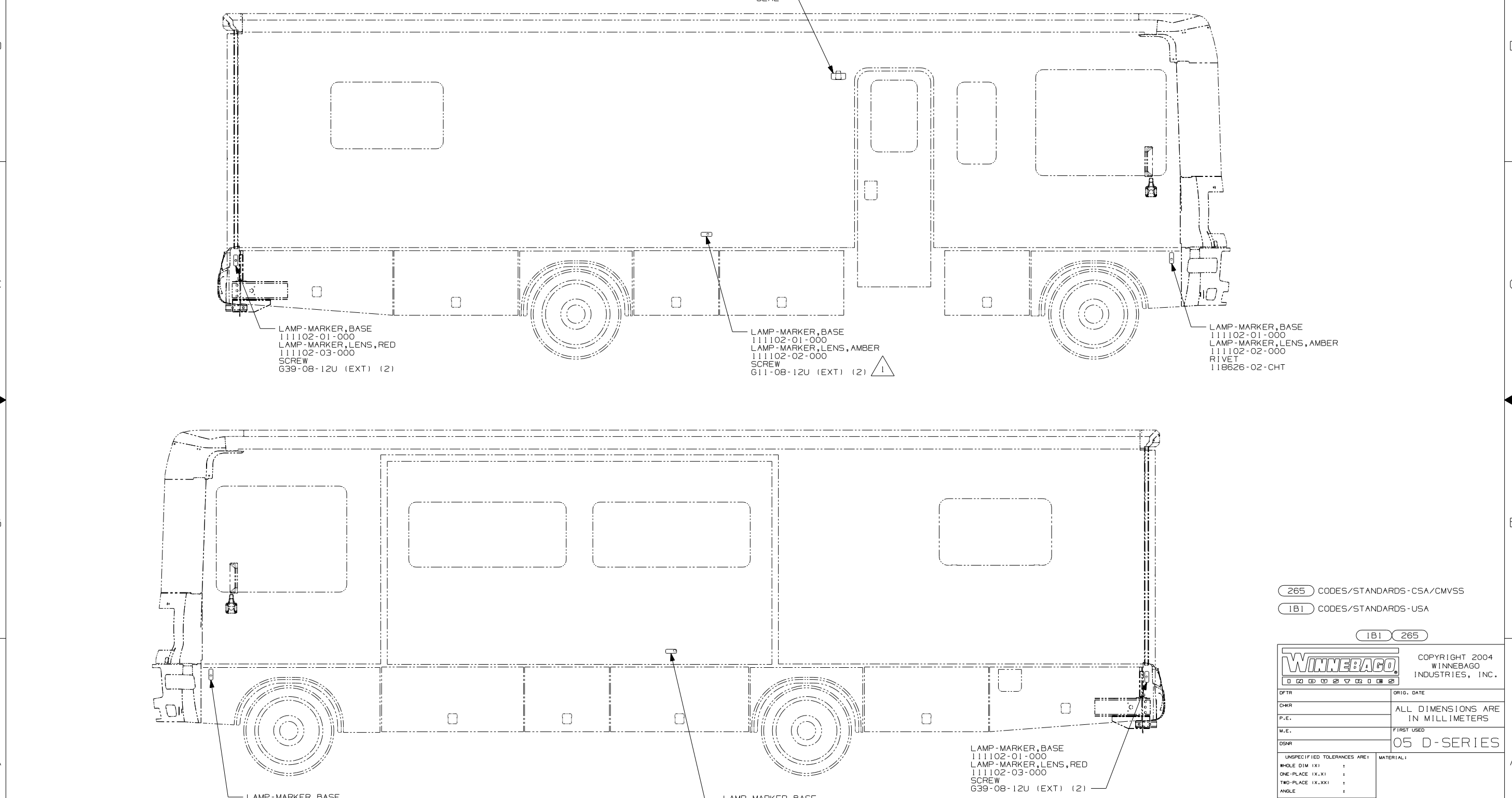


**CAUTION**

If you lack the skills, tools or equipment to perform diagnostic or repair work leave such work to an authorized Winnebago Industries dealer or other qualified shop.

DRAWING NO.	MODEL
148063-01	D30B, D33L, D34A, D35N
148063-02	D27C, D29R

RELEASE	REV DATE	DWG NO
A		148063
REV ZONE	REVISION RECORD	DATE
		DFTR-0R16



265 CODES/STANDARDS-CSA/CMVSS  
 1B1 CODES/STANDARDS-USA  
 1B1 265

**WINNEBAGO** COPYRIGHT 2004 WINNEBAGO INDUSTRIES, INC.

DFTR	ORIG. DATE
CHKR	ALL DIMENSIONS ARE IN MILLIMETERS
P.E.	
M.E.	FIRST USED
DSNR	05 D-SERIES
UNSPECIFIED TOLERANCES ARE:	MATERIAL:
WHOLE DIM (X) :	
ONE-PLACE (X.X) :	
TWO-PLACE (X.XX) :	
ANGLE :	
THIRD ANGLE PROJECTION	

DO NOT SCALE DRAWING

TITLE: WIRING INSTL-EXTERIOR LAMPS

SHEET 1 of 3 PART NO 148063

NOTES:  
 (1) NOT USED ON D27C, D29R

FOR ELECTRICAL TORQUE SPECIFICATIONS SEE DWG NO. 128783-01-000

(X-X) FOR ELECTRICAL CALLOUTS SEE DWG NO. 121339-01-000

LAMP-MARKER,BASE  
111102-01-000 (5)  
LAMP-MARKER,LENS,AMBER  
111102-02-000 (5)  
SCREW  
G11-08-12U (EXT) (10)  
CONNECTOR  
58028-01-000 (10)

WIRE ASM-CLEARANCE LAMPS  
129943-01-000

2 PIN HOUSING TO WIRE  
ASM-CLEARANCE LAMPS

WIRE ASM-CLEARANCE LAMPS,RR  
132085-02-000

LAMP-MARKER,BASE  
111102-01-000 (5)  
LAMP-MARKER,LENS,RED  
111102-03-000 (5)  
SCREW  
G11-08-12U (EXT) (10)  
CONNECTOR  
58028-01-000 (10)

2 PIN HOUSING  
TO WIRE ASM-  
IP, MAIN

WIRE IN  
BACKWALL

CHASSIS HOUSING  
TO CHASSIS HEADLAMP  
CONNECTOR

LAMP ASM-BRAKE  
136916-01-000  
SCREW  
G11-08-20T (2)  
CONNECTOR  
58028-01-000 (2)  
BLK/WHT TO YEL  
BLK TO WHT

LAMP HOUSING  
TO HIGH  
BEAM LAMP

LAMP HOUSING  
TO HIGH  
BEAM LAMP

LAMP HOUSING  
TO LOW/HIGH  
BEAM LAMP

LAMP HOUSING  
TO LOW/HIGH  
BEAM LAMP

TO RIGHT SIDE  
MARKER LAMP

TO LEFT SIDE  
MARKER LAMP

TO SIDE  
MARKER LAMP

LIGHT ASM-STOP/TAIL/BACKUP  
115632-03-CHT (2)  
SCREW  
G11-08-12U (EXT) (8)  
(SEE DETAIL CC)

TO SIDE  
MARKER LAMP

LAMP HOUSING  
TO RIGHT  
TURN SIGNAL

LAMP HOUSING  
TO LEFT  
TURN SIGNAL

LAMP-LICENSE PLATE  
87201-01-000  
SCREW  
G11-06-12U (EXT) (2)

FOR ROUTING  
(SEE DETAIL CA)

2 RING TERMINAL  
TO GROUND BOLT

16H WIRE ASM-HEADLAMP  
148645-01-000  
IPC 1PM 148645-02-000

BRACKET ASM-HEADLAMP  
147901-01-CHT (RH)  
147901-02-CHT (LH)  
NUT-SF/LOCKING  
D29-05-00B (8)  
WASHER  
E13-16-00B (8)

PIN-MOUNT,HEADLAMP  
148111-01-CHT (4)

SCREW  
G39-08-08B (8)

HEADLAMP ASM  
148629-01-000 (RH)  
148629-02-000 (LH)

LAMP ASM-TURN  
(GM CHASSIS SUPPLIED)  
GM #9165581 (2)  
84901-01-000  
NUT  
D39-04-00B (4)

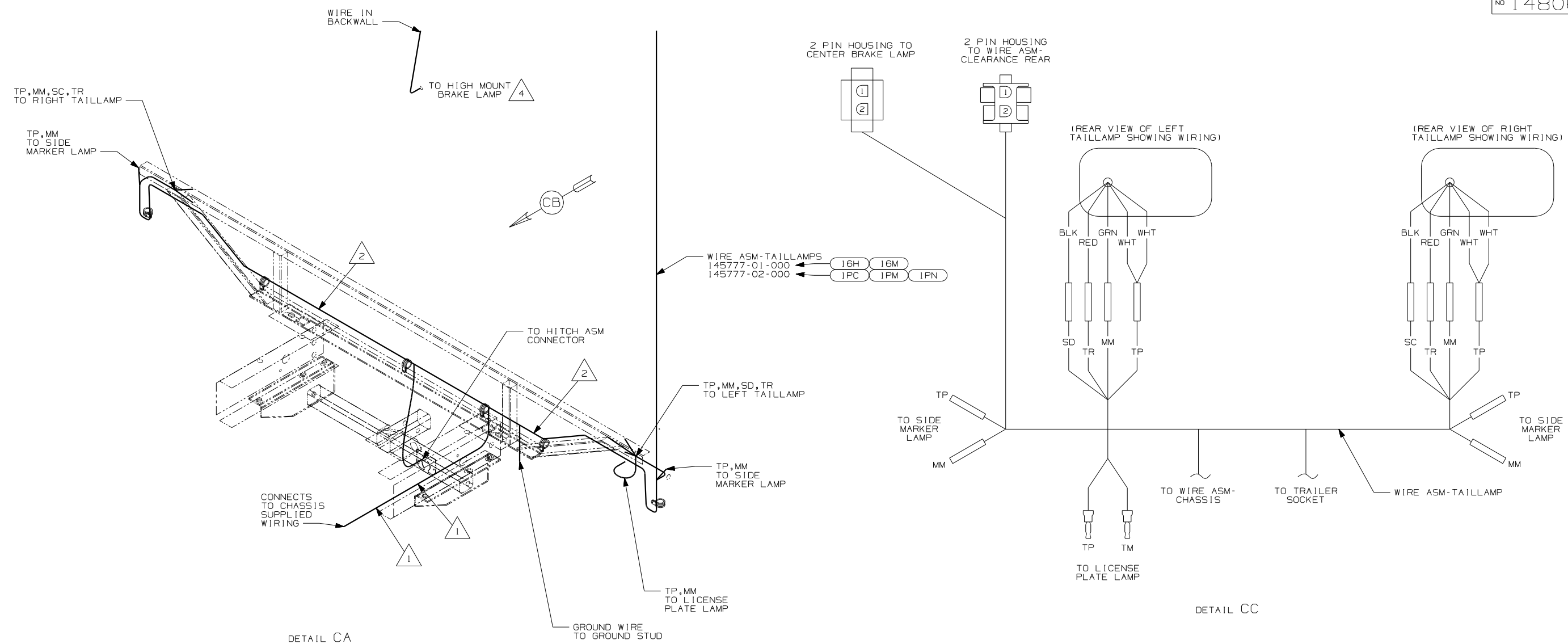
FOR ELECTRICAL  
TORQUE  
SPECIFICATIONS  
SEE DWG NO.  
128783-01-000

FOR  
ELECTRICAL  
CALLOUTS  
SEE DWG NO.  
121339-01-000

- IPC WORKHORSE CH. 15,000LB. GVWR
- 16H FORD CHASSIS 18,000#/V10 ENG
- 1PM WORKHORSE CHASSIS-18,000LB.
- 265 CODES/STANDARDS-CSA/CMVSS
- 1B1 CODES/STANDARDS-USA
- WIN WINNEBAGO ONLY
- ITA ITASCA ONLY

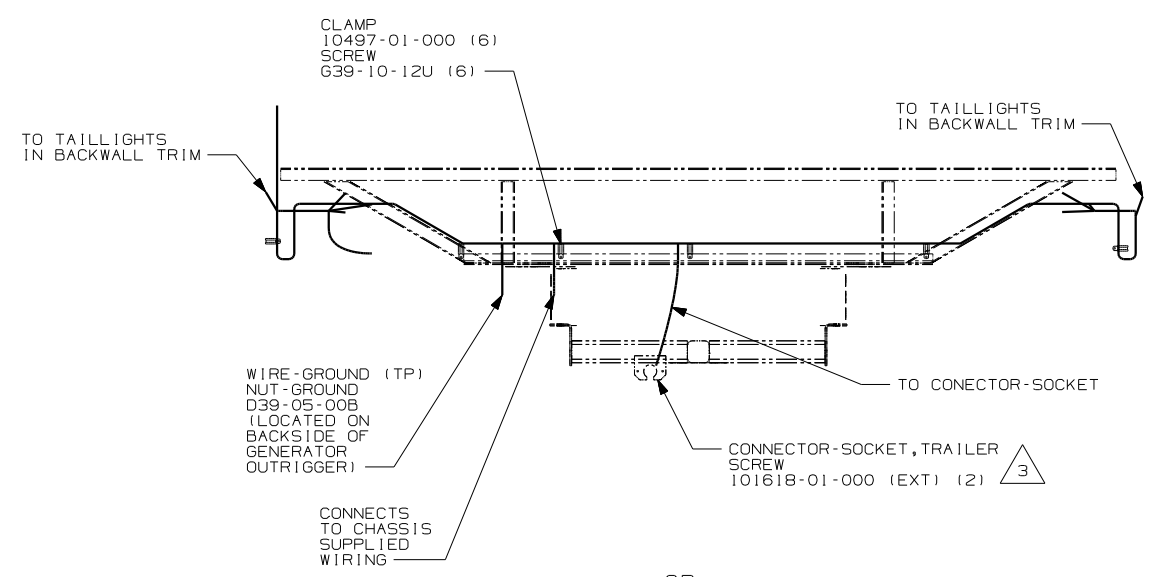
- 3 SECURE WIRE ASM APPROX. EVERY 450 TO BATTERY CABLES AND BRACKETS. USE TIE-WIRE 8343-01-000 OR 93147-01-000 AS APPROPRIATE.
- 2 CLEAN PAINT OFF METAL (BOLT) BEFORE CONNECTING GROUND TO INSURE CONTACT. ALSO MOUNT CHASSIS SUPPLIED HORN TO GROUND BOLT.
1. GATHER ALL EXCESS WIRE AFTER MAKING ALL CONNECTIONS AND BUNDLE AND SECURE WITH TIE-WIRE 8343-01-000 OR 93147-01-000.

FIRST USED	
05 D-SERIES	
DO NOT SCALE DRAWING	
TITLE:	
WIRING INSTL-EXTERIOR LAMPS	
SHEET 2	PART NO
	148063



DETAIL CA

DETAIL CC



VIEW CB

- NOTES:
- 4 WIRE ROUTED THRU FLOOR AND BEHIND HEADBOARD
  - 3 CONNECTOR-PLUG, TRAILER 113589-01-000 TO BE SUPPLIED IN COACH WITH (240)
  - 2 WIRE TO BE ROUTED ON BACK SIDE OF RISER.
  - 1 WIRE TIE 8343-02. FASTEN TO FRAME AT LEAST ONCE EVERY 600MM.

- (1PN) WORKHORSE 20,700#-19.5 TIRE
- (16M) FORD CHASSIS 20,500#/V10 ENG
- (16H) FORD CHASSIS 18,000#/V10 ENG
- (1PM) WORKHORSE CHASSIS-18,000LB.
- (1PC) WORKHORSE CH. 15,000LB. GVWR
- (240) TRAILER HITCH

FOR ELECTRICAL TORQUE SPECIFICATIONS SEE DWG NO. 128783-01-000

FOR ELECTRICAL CALLOUTS SEE DWG NO. 121339-01-000

FIRST USED	
05 D-SERIES	
DO NOT SCALE DRAWING	
TITLE: WIRING INSTL-EXTERIOR LAMPS	
SHEET 3	PART NO 148063