



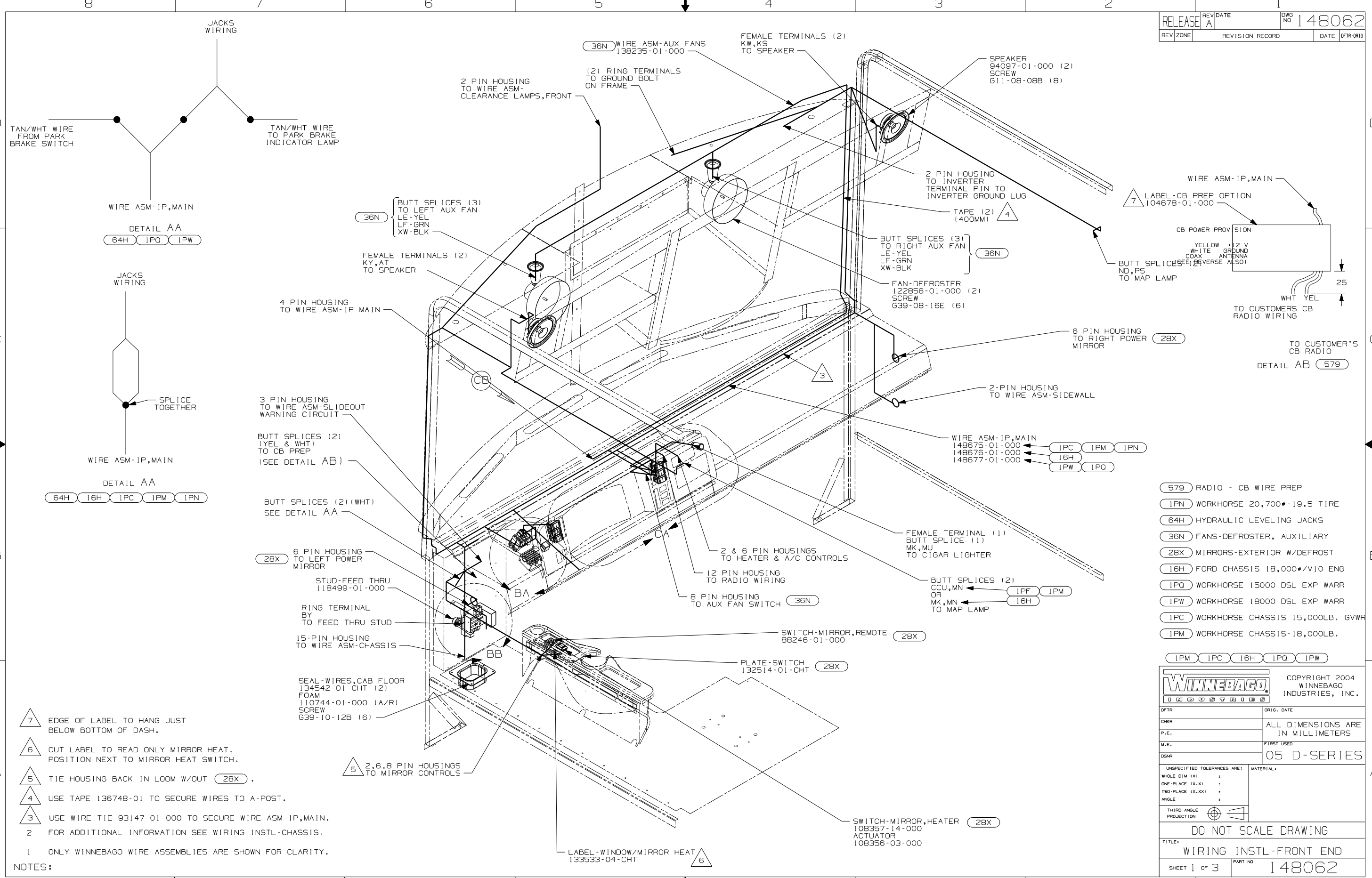
DANGER

Danger of electrical shock, burns or death. Always remove all power sources before attempting any repair, service or diagnostic work. Power can be present from shore power, generator, inverter or battery. All power sources must be disabled and secured before performing any service.



CAUTION

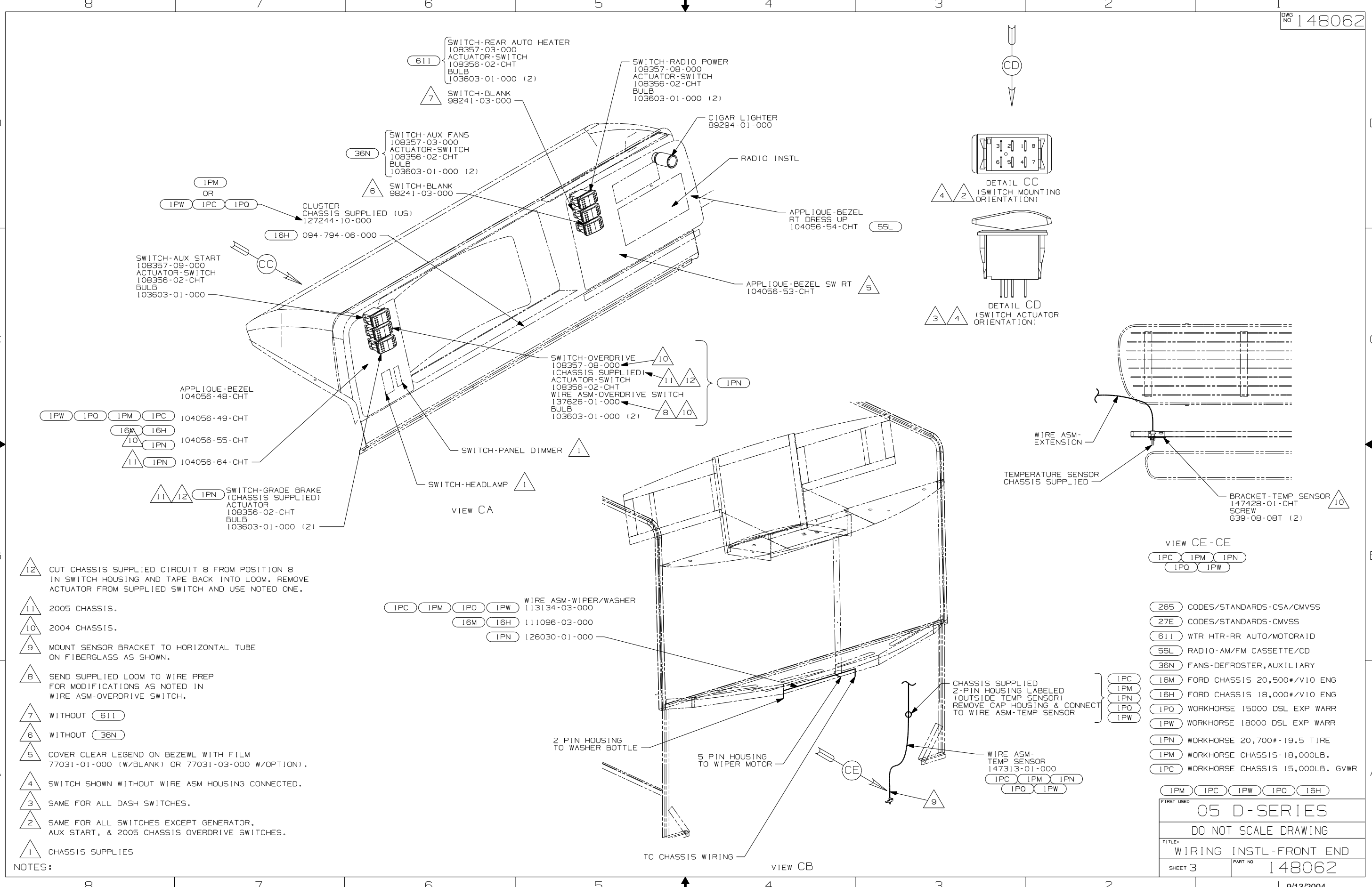
If you lack the skills, tools or equipment to perform diagnostic or repair work leave such work to an authorized Winnebago Industries dealer or other qualified shop.



- NOTES:
- 1 ONLY WINNEBAGO WIRE ASSEMBLIES ARE SHOWN FOR CLARITY.
 - 2 FOR ADDITIONAL INFORMATION SEE WIRING INSTL-CHASSIS.
 - 3 USE WIRE TIE 93147-01-000 TO SECURE WIRE ASM-IP, MAIN.
 - 4 USE TAPE 136748-01 TO SECURE WIRES TO A-POST.
 - 5 TIE HOUSING BACK IN LOOM W/OUT (28X).
 - 6 CUT LABEL TO READ ONLY MIRROR HEAT. POSITION NEXT TO MIRROR HEAT SWITCH.
 - 7 EDGE OF LABEL TO HANG JUST BELOW BOTTOM OF DASH.

- (579) RADIO - CB WIRE PREP
- (1PN) WORKHORSE 20,700#-19.5 TIRE
- (64H) HYDRAULIC LEVELING JACKS
- (36N) FANS-DEFROSTER, AUXILIARY
- (28X) MIRRORS-EXTERIOR W/DEFROST
- (16H) FORD CHASSIS 18,000#/V10 ENG
- (1PO) WORKHORSE 15000 DSL EXP WARR
- (1PW) WORKHORSE 18000 DSL EXP WARR
- (1PC) WORKHORSE CHASSIS 15,000LB. GVWR
- (1PM) WORKHORSE CHASSIS-18,000LB.
- (1PM) (1PC) (16H) (1PO) (1PW)

WINNEBAGO		COPYRIGHT 2004 WINNEBAGO INDUSTRIES, INC.	
DFTR	ORIG. DATE		
CHKR	ALL DIMENSIONS ARE IN MILLIMETERS		
P.E.	FIRST USED	05 D-SERIES	
M.E.	UNSPECIFIED TOLERANCES ARE:	MATERIAL:	
DSNR	WHOLE DIM (X) :		
	ONE-PLACE (X, X) :		
	TWO-PLACE (X, XX) :		
	ANGLE :		
	THIRD ANGLE PROJECTION		
DO NOT SCALE DRAWING			
TITLE: WIRING INSTL-FRONT END			
SHEET 1 OF 3	PART NO	148062	
REF: 144607 9/13/2004			



- NOTES:**
- 12 CUT CHASSIS SUPPLIED CIRCUIT 8 FROM POSITION 8 IN SWITCH HOUSING AND TAPE BACK INTO LOOM. REMOVE ACTUATOR FROM SUPPLIED SWITCH AND USE NOTED ONE.
 - 11 2005 CHASSIS.
 - 10 2004 CHASSIS.
 - 9 MOUNT SENSOR BRACKET TO HORIZONTAL TUBE ON FIBERGLASS AS SHOWN.
 - 8 SEND SUPPLIED LOOM TO WIRE PREP FOR MODIFICATIONS AS NOTED IN WIRE ASM-OVERDRIVE SWITCH.
 - 7 WITHOUT (611)
 - 6 WITHOUT (36N)
 - 5 COVER CLEAR LEGEND ON BEZEWL WITH FILM 77031-01-000 (W/BLANK) OR 77031-03-000 W/OPTION).
 - 4 SWITCH SHOWN WITHOUT WIRE ASM HOUSING CONNECTED.
 - 3 SAME FOR ALL DASH SWITCHES.
 - 2 SAME FOR ALL SWITCHES EXCEPT GENERATOR, AUX START, & 2005 CHASSIS OVERDRIVE SWITCHES.
 - 1 CHASSIS SUPPLIES

VIEW CE-CE

(IPC) (IPM) (IPN)
(IPO) (IPW)

(265) CODES/STANDARDS-CSA/CMVSS
 (27E) CODES/STANDARDS-CMVSS
 (611) WTR HTR-RR AUTO/MOTORAID
 (55L) RADIO-AM/FM CASSETTE/CD
 (36N) FANS-DEFROSTER,AUXILIARY
 (16M) FORD CHASSIS 20,500#/V10 ENG
 (16H) FORD CHASSIS 18,000#/V10 ENG
 (IPO) WORKHORSE 15000 DSL EXP WARR
 (IPW) WORKHORSE 18000 DSL EXP WARR
 (IPN) WORKHORSE 20,700#-19.5 TIRE
 (IPM) WORKHORSE CHASSIS-18,000LB.
 (IPC) WORKHORSE CHASSIS 15,000LB. GVWR

(IPC) (IPM) (IPN)
(IPO) (IPW)

FIRST USED
05 D-SERIES
 DO NOT SCALE DRAWING
 TITLE:
WIRING INSTL-FRONT END
 SHEET 3 PART NO
148062

9/13/2004