



DANGER

Danger of electrical shock, burns or death. Always remove all power sources before attempting any repair, service or diagnostic work. Power can be present from shore power, generator, inverter or battery. All power sources must be disabled and secured before performing any service.



CAUTION

If you lack the skills, tools or equipment to perform diagnostic or repair work leave such work to an authorized Winnebago Industries dealer or other qualified shop.

SPEAKER-CUBE
148026-03-000
SPEAKER-GRILLE,CUBE
148026-02-CHT
SCREW
611-08-08U (4)

LIGHT-DINETTE
93575-26-CHT (2)
BULB
117805-01-000 (4)
CONNECTOR
58028-01-000 (4)
SCREW
611-08-16U (4)

1HE THERMOSTAT
135618-03-CHT
29P 135618 01-CHT

RECEPTACLE-12V
132958-01-000
SCREW
611-08-12B (2)

SPEAKER
SEE DETAIL AA

DETAIL AA 20C

TO REFRIGERATOR

SWITCHES
DETAIL DB

SWITCH
DETAIL DA

WIRE ASM-COACH
TO OVHD LIGHTS

PLATE-COAX
149557-03-CHT
SCREW
G39-08-08U (2)
BRACKET
132862-04-CHT
SCREW
G1108-12U (4)

1 64R SWITCH-PUMP
108357-15-000
ACTUATOR
108356-04-DHT

SPEAKER-SUBWOOFER 20C
124884-01-000
GRILLE
151844-01-CHT
SCREW
G11-08-12T (4)

LCR-1

LPGD

WIRE ASM-MAIN HOLDING
151317-03-000

WIRE ASM-AUX HOLDING
151316-03-000

WIRE ASM-COACH
TO RIGHT SIDE

- 64R EXTERIOR WASH STATION
- 29P AC HEAT PUMP-1 HI EFFICIENCY
- 23T DRAINAGE SYSTEM-HEATED
- 20C SOUND SYS. DLX. W/O-SURROUND
- 265 CODES/STANDARDS-CSA/CMVSS
- 1HE A/C ROOF-HI EFF LOW PROFILE
- 1B1 CODES/STANDARDS USA

1B1 265

WINNEBAGO COPYRIGHT 2004
WINNEBAGO
INDUSTRIES, INC.

DFTR	ORIG. DATE
CHKR	ALL DIMENSIONS ARE IN MILLIMETERS
P.E.	
M.E.	FIRST USED
DSNR	05 726A
UNSPECIFIED TOLERANCES ARE:	MATERIAL:
HOLE DIM (X)	:
ONE-PLACE (X.X)	:
TWO-PLACE (X.XX)	:
ANGLE	:
THIRD ANGLE PROJECTION	

X-X FOR
ELECTRICAL
CALLOUTS
SEE DWG NO.
121339-01-000

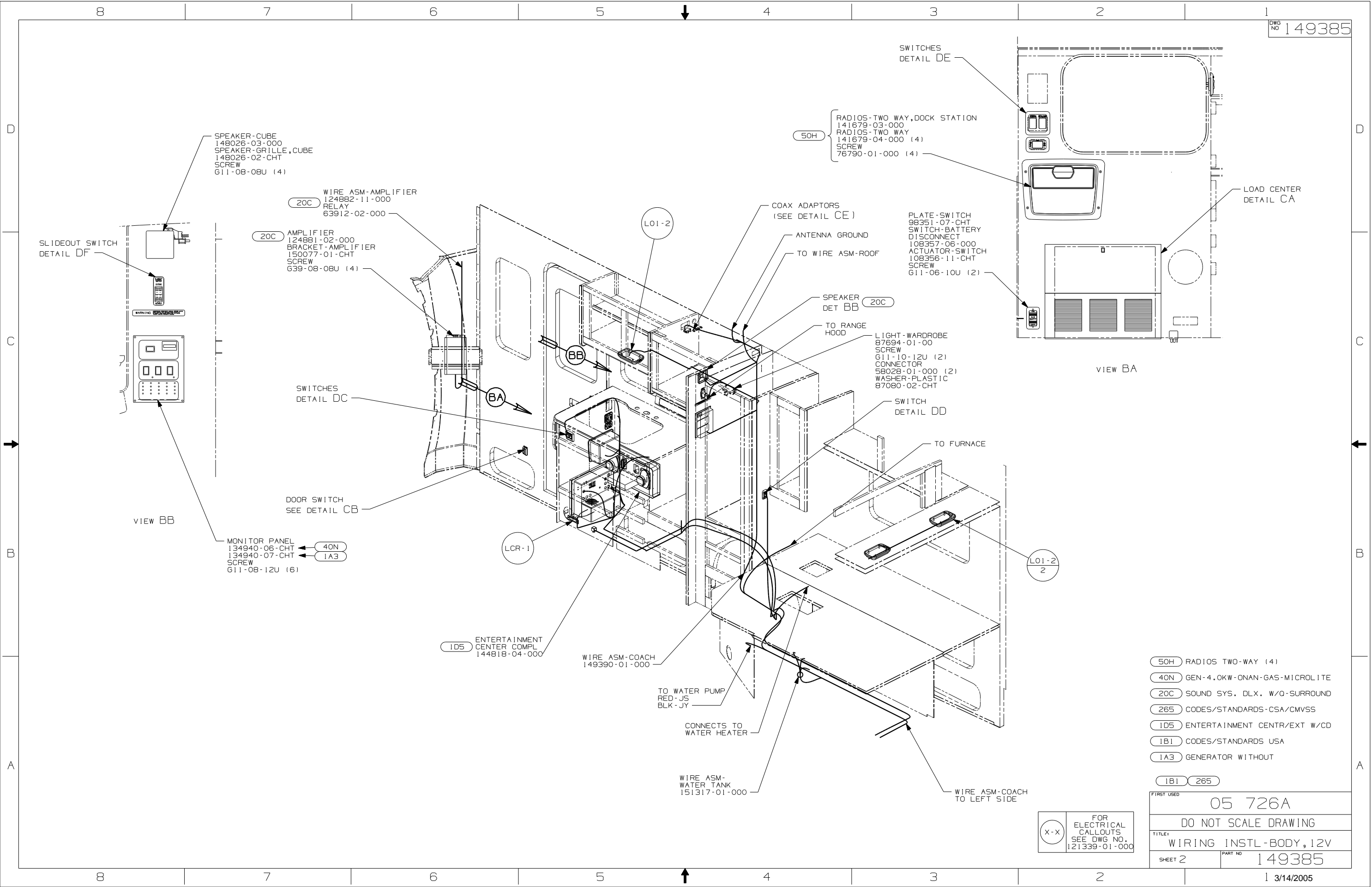
DO NOT SCALE DRAWING

TITLE: WIRING INSTL-BODY,12V

SHEET 1 OF 6 PART NO 149385

1 WITHOUT 64R SECURE SWITCH ASM AND WIRE DROP
BACK ALONG MAIN HARNESS.

NOTES:



SPEAKER-CUBE
148026-03-000
SPEAKER-GRILLE,CUBE
148026-02-CHT
SCREW
G11-08-08U (4)

WIRE ASM-AMPLIFIER
124882-11-000
RELAY
63912-02-000

AMPLIFIER
124881-02-000
BRACKET-AMPLIFIER
150077-01-CHT
SCREW
639-08-08U (4)

SLIDEOUT SWITCH
DETAIL DF

RADIOS-TWO WAY,DOCK STATION
141679-03-000
RADIO-TWO WAY
141679-04-000 (4)
SCREW
76790-01-000 (4)

SWITCHES
DETAIL DE

PLATE-SWITCH
98351-07-CHT
SWITCH-BATTERY
DISCONNECT
108357-06-000
ACTUATOR-SWITCH
108356-11-CHT
SCREW
G11-06-10U (2)

LOAD CENTER
DETAIL CA

COAX ADAPTORS
(SEE DETAIL CE)

ANTENNA GROUND
TO WIRE ASM-ROOF

SPEAKER
DET BB

TO RANGE
HOOD

LIGHT-WARDROBE
87694-01-00
SCREW
G11-10-12U (2)
CONNECTOR
58028-01-000 (2)
WASHER-PLASTIC
87080-02-CHT

VIEW BA

SWITCHES
DETAIL DC

SWITCH
DETAIL DD

DOOR SWITCH
SEE DETAIL CB

TO FURNACE

VIEW BB

MONITOR PANEL
134940-06-CHT
134940-07-CHT
SCREW
G11-08-12U (6)

ENTERTAINMENT
CENTER COMPL
144818-04-000

WIRE ASM-COACH
149390-01-000

TO WATER PUMP
RED-JS
BLK-JY

CONNECTS TO
WATER HEATER

WIRE ASM-
WATER TANK
151317-01-000

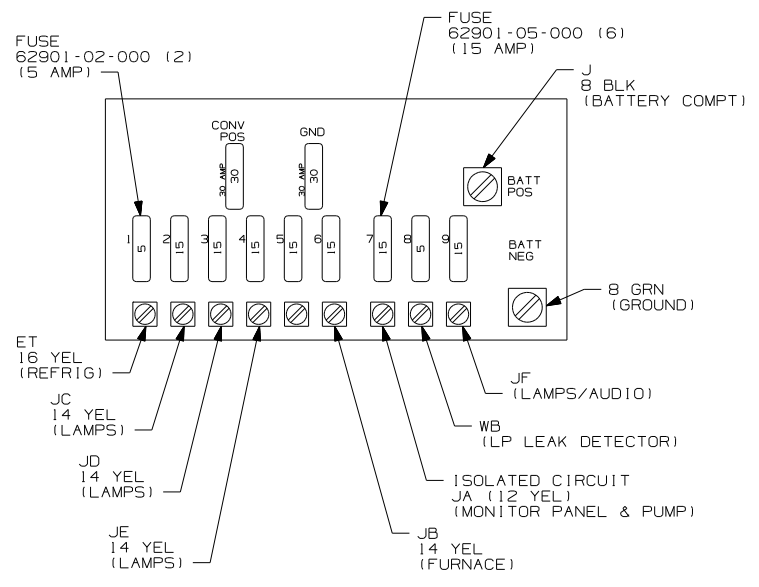
WIRE ASM-COACH
TO LEFT SIDE

- (50H) RADIOS TWO-WAY (4)
- (40N) GEN-4.0KW-ONAN-GAS-MICROLITE
- (20C) SOUND SYS. DLX. W/O-SURROUND
- (265) CODES/STANDARDS-CSA/CMVSS
- (1D5) ENTERTAINMENT CENTR/EXT W/CD
- (1B1) CODES/STANDARDS USA
- (1A3) GENERATOR WITHOUT

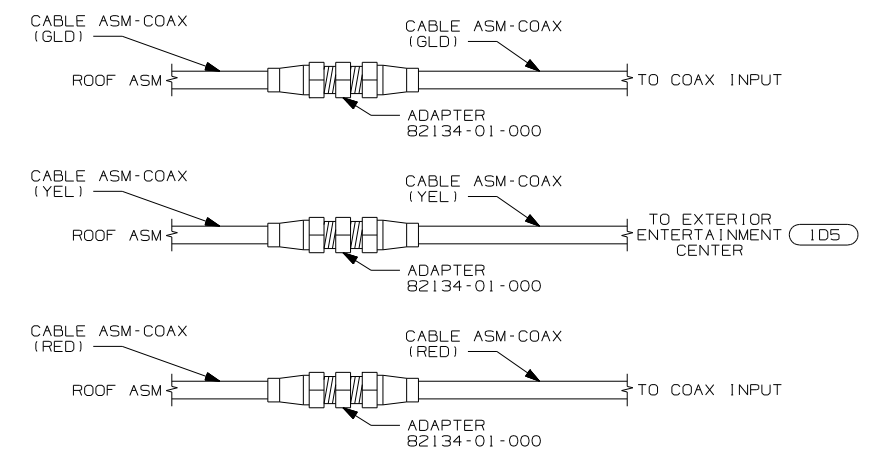
(1B1) (265)

X-X FOR ELECTRICAL CALLOUTS SEE DWG NO. 121339-01-000

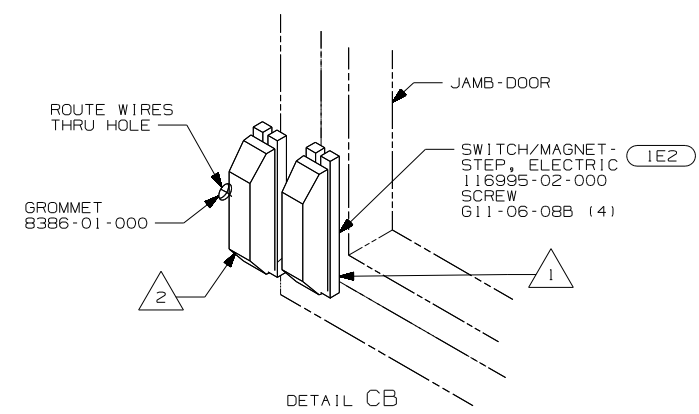
FIRST USED	05 726A
TITLE	DO NOT SCALE DRAWING
TITLE	WIRING INSTL-BODY,12V
SHEET 2	PART NO 149385



DETAIL CA



DETAIL CE



DETAIL CB

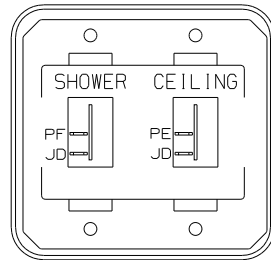
- NOTES:
- 2 MOUNT SWITCH AND SPACER TO BLOCK ON JAMB. ADJUST HEIGHT TO MATCH MAGNET.
 - 1 MOUNT MAGNET USING PILOT HOLES IN SCREEN DOOR FRAME. MOUNT WITH MAGNET TOWARD SWITCH.

- 1E2 ENTRANCE STEP-ELEC.
- ID5 ENTERTAINMENT CENTER/EXT W/CD
- 265 CODES/STANDARDS-CSA/CMVSS
- 1B1 CODES/STANDARDS USA

FOR ELECTRICAL TORQUE SPECIFICATIONS SEE DWG NO. 128783-01-000

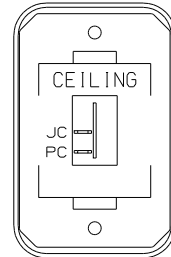
FOR ELECTRICAL CALLOUTS SEE DWG NO. 121339-01-000

FIRST USED	05 726A
TITLE	DO NOT SCALE DRAWING
	WIRING INSTL-BODY, 12V
SHEET 3	PART NO 149385



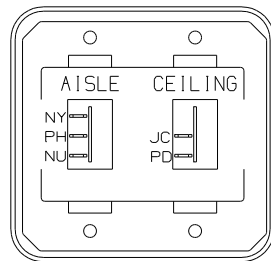
DETAIL DA

SWITCH-ROCKER
135740-01-CHT (2)
SWITCH-BASE
135741-02-CHT
SWITCH-BEZEL
135742-15-CHT
SCREW
G11-08-08U (4)



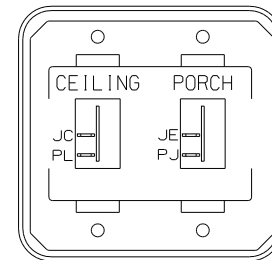
DETAIL DD

SWITCH-ROCKER
135740-01-CHT
SWITCH-BASE
135741-01-CHT
SWITCH-BEZEL
135742-07-CHT
SCREW
G11-08-08U (2)



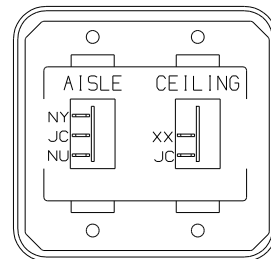
DETAIL DB

SWITCH-ROCKER
135740-01-CHT
135740-02-CHT
SWITCH-BASE
135741-02-CHT
SWITCH-BEZEL
135742-13-CHT
SCREW
G11-08-08U (4)



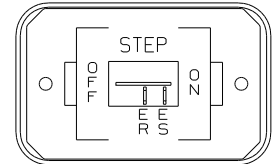
DETAIL DE

SWITCH-ROCKER
135740-01-CHT (2)
SWITCH-BASE
135741-02-CHT
SWITCH-BEZEL
135742-19-CHT
SCREW
G11-08-08U (4)



DETAIL DC

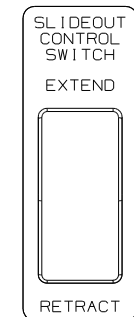
SWITCH-ROCKER
135740-01-CHT
135740-02-CHT
SWITCH-BASE
135741-02-CHT
SWITCH-BEZEL
135742-13-CHT
SCREW
G11-08-08U (4)



DETAIL DE

SWITCH-ROCKER
135740-01-CHT
SWITCH-BASE
135741-01-CHT
SWITCH-BEZEL
135742-11-CHT
SCREW
G11-08-08U (2)

IE2



DETAIL DF

PLATE-SWITCH
144363-09-CHT
SWITCH
108357-06-CHT
ACTUATOR
108356-02-CHT
NUT
D65-08-00B (2)
LABEL
116220-01-000

WARNING UNDERSTAND OPERATOR'S MANUAL BEFORE USING
KEEP PEOPLE AND OBSTRUCTIONS CLEAR OF
SLIDEOUT ROOM WHEN OPERATING TO AVOID
INJURY AND/OR PROPERTY DAMAGE

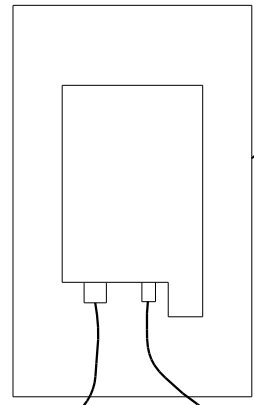
LABEL-WARNING
116549-01-000

- IE2 ENTRANCE STEP-ELEC.
- 23T DRAINAGE SYSTEM-HEATED
- 265 CODES/STANDARDS-CSA/CMVSS
- 1B1 CODES/STANDARDS USA

1B1 265

X-X FOR ELECTRICAL CALLOUTS SEE DWG NO. 121339-01-000

FIRST USED	05 726A
TITLE	DO NOT SCALE DRAWING
	WIRING INSTL-BODY, 12V
SHEET 4	PART NO 149385

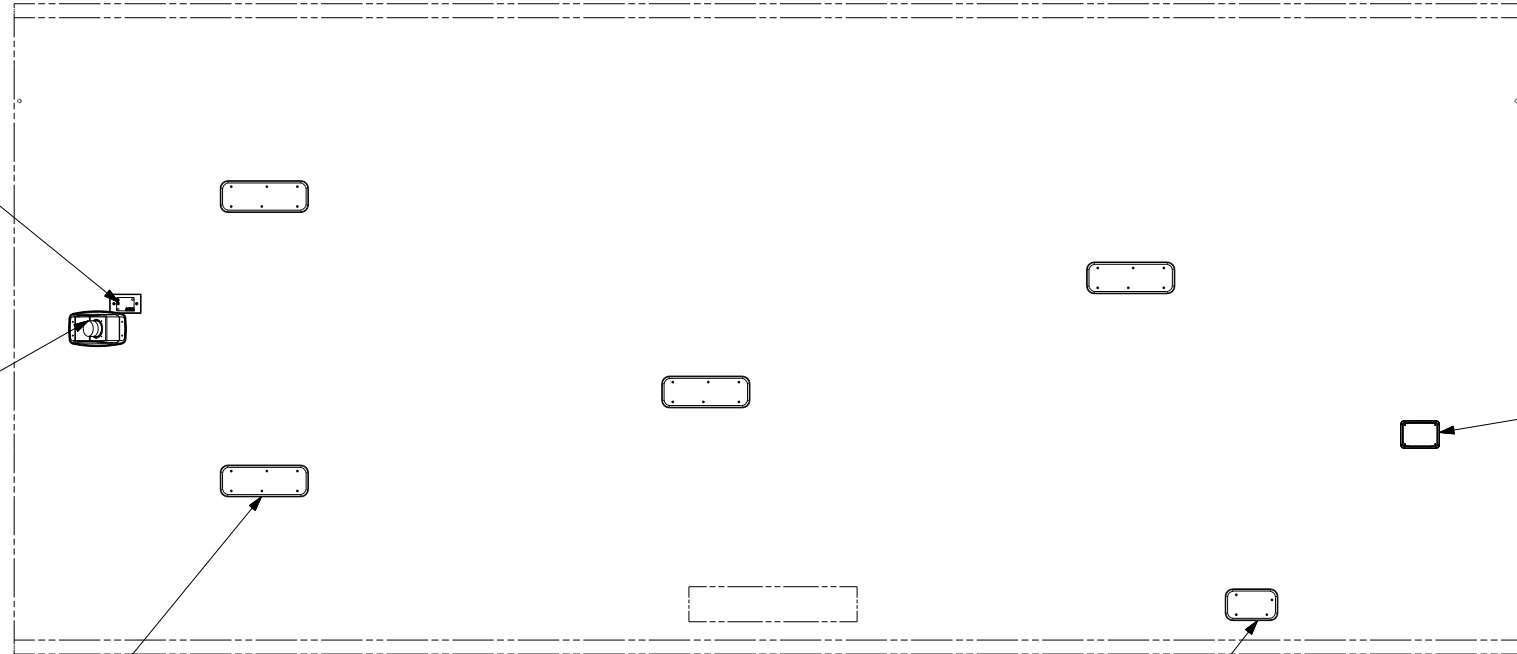


3 PIN HOUSING FROM WIRE ASM-ELEVATION SENSOR
2 PIN HOUSING FROM WIRE ASM-ROOF

DETAIL EA 480

SATELLITE ELEVATION SENSOR
DETAIL EA

- 20C SPEAKER
- 148026-03-CHT
- GRILLE
- 148026-02-CHT
- SCREW
- G11-08-08B (4)
- POD-SPEAKER
- 149414-01-CHT
- BRACKET-SPEAKER
- 149422-01-CHT
- SCREW
- G39-08-08U (4)



LFSN2
5

LF1N2

LSH-1

- 480 SATELLITE DISH & ELEV.SENSOR
- 20C SOUND SYS. DLX.W/O-SURROUND
- 265 CODES/STANDARDS-CSA/CMVSS
- 1B1 CODES/STANDARDS USA

1B1 265

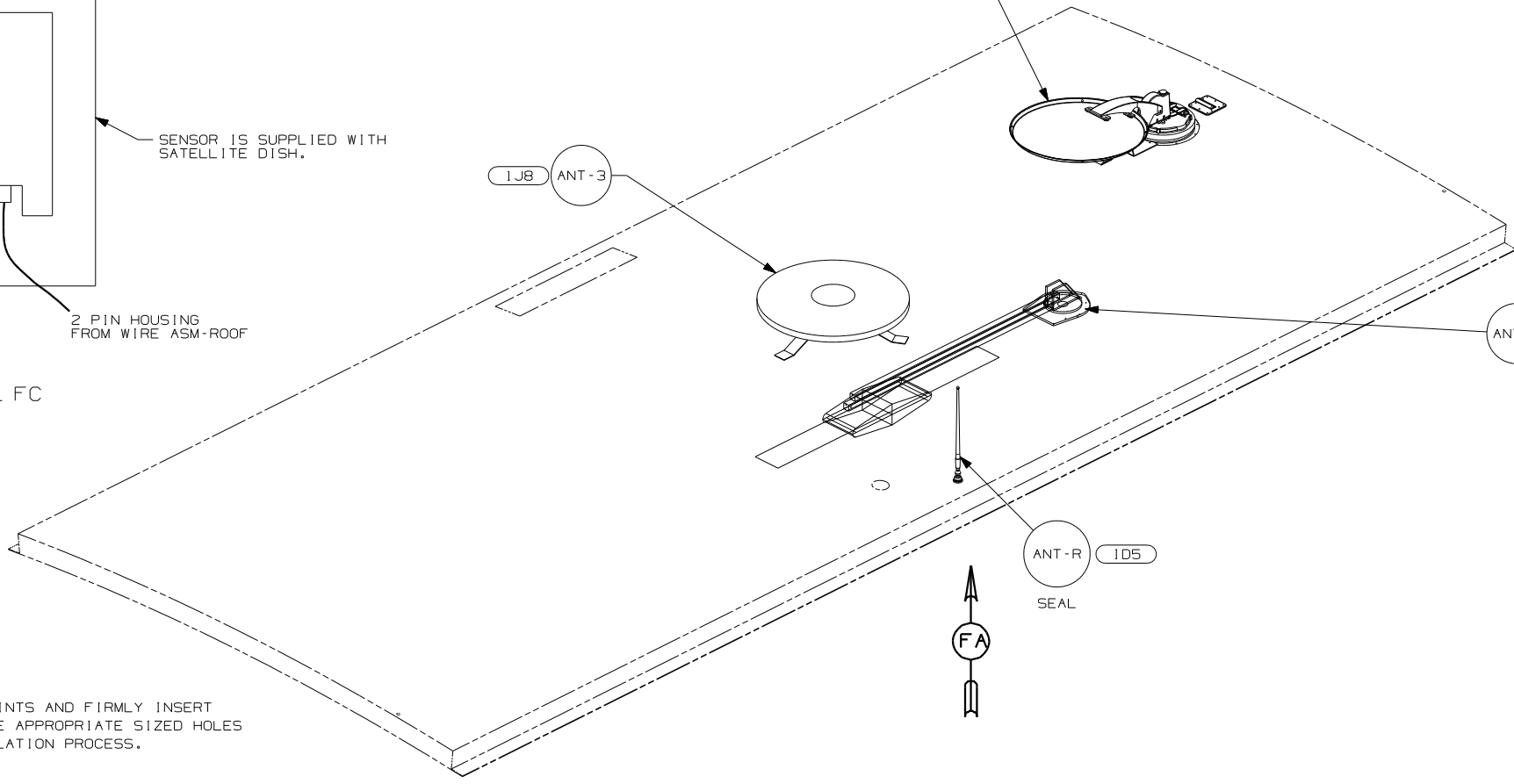
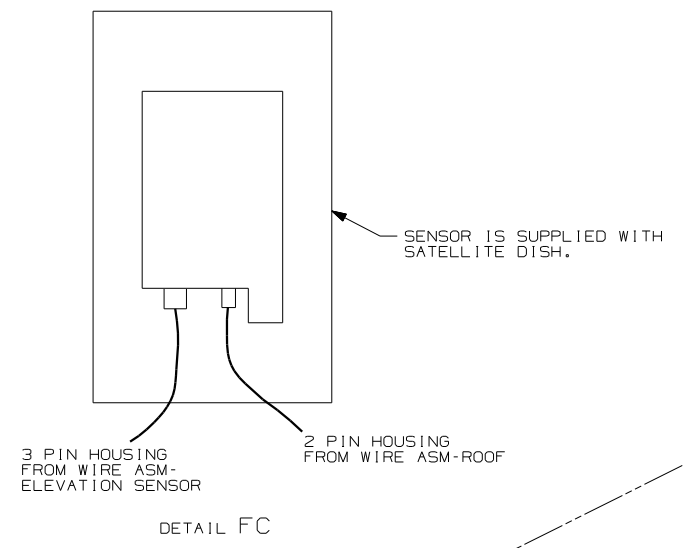
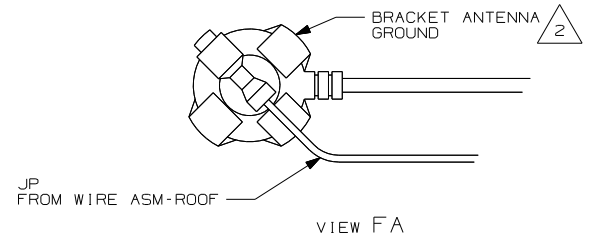
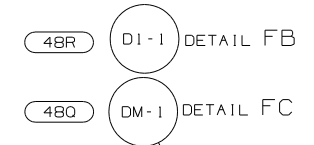
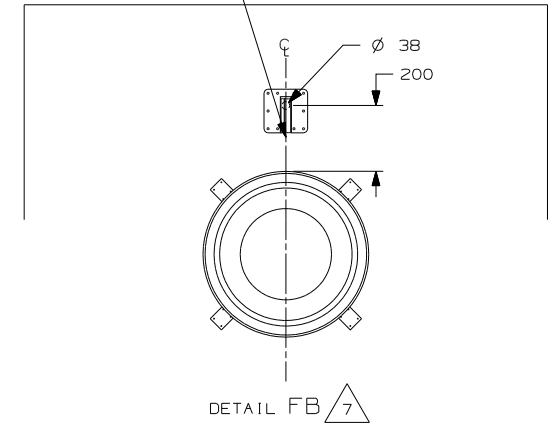
2 SENSOR SUPPLIED WITH SATELLITE ASSEMBLY.
1. SEE ROOF ASM FOR ADDITIONAL INFORMATION.

NOTES:

X-X FOR ELECTRICAL CALLOUTS SEE DWG NO. 121339-01-000

FIRST USED	05 726A
TITLE:	DO NOT SCALE DRAWING
	WIRING INSTL-BODY, 12V
SHEET 5	PART NO 149385

THE COAX CONNECTION IS TO BE PLACED ON THE CENTERLINE OF THE MOTORHOME FACING FORWARD



- 7 REMOVE ALL SHIPPING RESTRAINTS AND FIRMLY INSERT THE SUPPLIED PLUGS INTO THE APPROPRIATE SIZED HOLES AS SPECIFIED IN THE INSTALLATION PROCESS.
- 6 NOT USED WITH 1J8
- 5 ADD RUBBER BUMPERS TO ROOF UNDER EACH END OF ANTENNA IN DOWN POSITION.
- 4 LOCATE CLIP TO RETAIN CABLE BUT NOT TO RESTRICT ANTENNA.
- 3 SEE DRAWING 76319-01-000 FOR INSTALLATION OF TV ANTENNA.
- 2 WRAP BRACKCET LEGS AROUND ANTENNA BASE.

1. CONNECTOR-PLUG, TRAILER 113589-01-000 TO BE SUPPLIED LOOSE IN COACH WITH TRAILER TOW PACKAGE.

- 48R SAT SYS IN-MOTION W/O RCVR
- 48Q SATELLITE DISH & ELEV.SENSOR
- 265 CODES/STANDARDS-CSA/CMVSS
- 1J8 TV ANTENNA-OMNIDIRECTIONAL
- ID5 ENTERTAINMENT CENTR/EXT W/CD
- 1B1 CODES/STANDARDS USA

FIRST USED	05 726A
DO NOT SCALE DRAWING	
TITLE:	WIRING INSTL-BODY, 12V
SHEET 6	PART NO 149385

FOR ELECTRICAL CALLOUTS SEE DWG NO. 121339-01-000

NOTES: