

FRONT  
OF  
COACH

(B) CODES/STANDARDS-USA  
(265) CODES/STDS-CMVSS, CSA

<b>WINNEBAGO</b>		COPYRIGHT 2004 WINNEBAGO INDUSTRIES, INC.	
D/FR	ORIG. DATE	ALL DIMENSIONS ARE IN MILLIMETERS	
CHKR		FIRST USED	
P.E.		05 726A	
M.E.		UNSPECIFIED TOLERANCES ARE:	
DSNR		MATERIAL:	
		WHOLE DIM (X)	: 3
		ONE-PLACE (X.X)	: 1.5
		TWO-PLACE (X.XX)	: 0.50
		ANGLE	: 1°
THIRD ANGLE PROJECTION		DO NOT SCALE DRAWING	
TITLE:		DRAINAGE SYSTEM INSTL	
SHEET 1 OF 3	PART NO	149196	
REF:	1 11/24/2004		

- 6 VENT PIPE MUST PROJECT 51 MIN AND 64 MAX ABOVE ROOF FOR PROPER FIT AND FUNCTION.
5. SEAL AROUND SHOWER WITH SILICONE.
  4. ALL EXTERIOR OPENINGS AROUND PIPE TO BE SEALED WITH 131264-03-000.
  3. ALL PIPE AND FITTINGS TO BE ASSEMBLED WITH SOLVENT 4020-01-000 (US), 4020-02-000 (CAN).
  2. SLOPE OF TRAP ARM MUST BE 6 PER 305 mm.
  1. SLOPE OF HORIZONTAL PIPING TO BE MIN 3 PER 305 mm.

NOTES:

(X-X)  
FOR  
DRAINAGE  
CALLOUTS  
SEE DWG NO  
116229-01-000

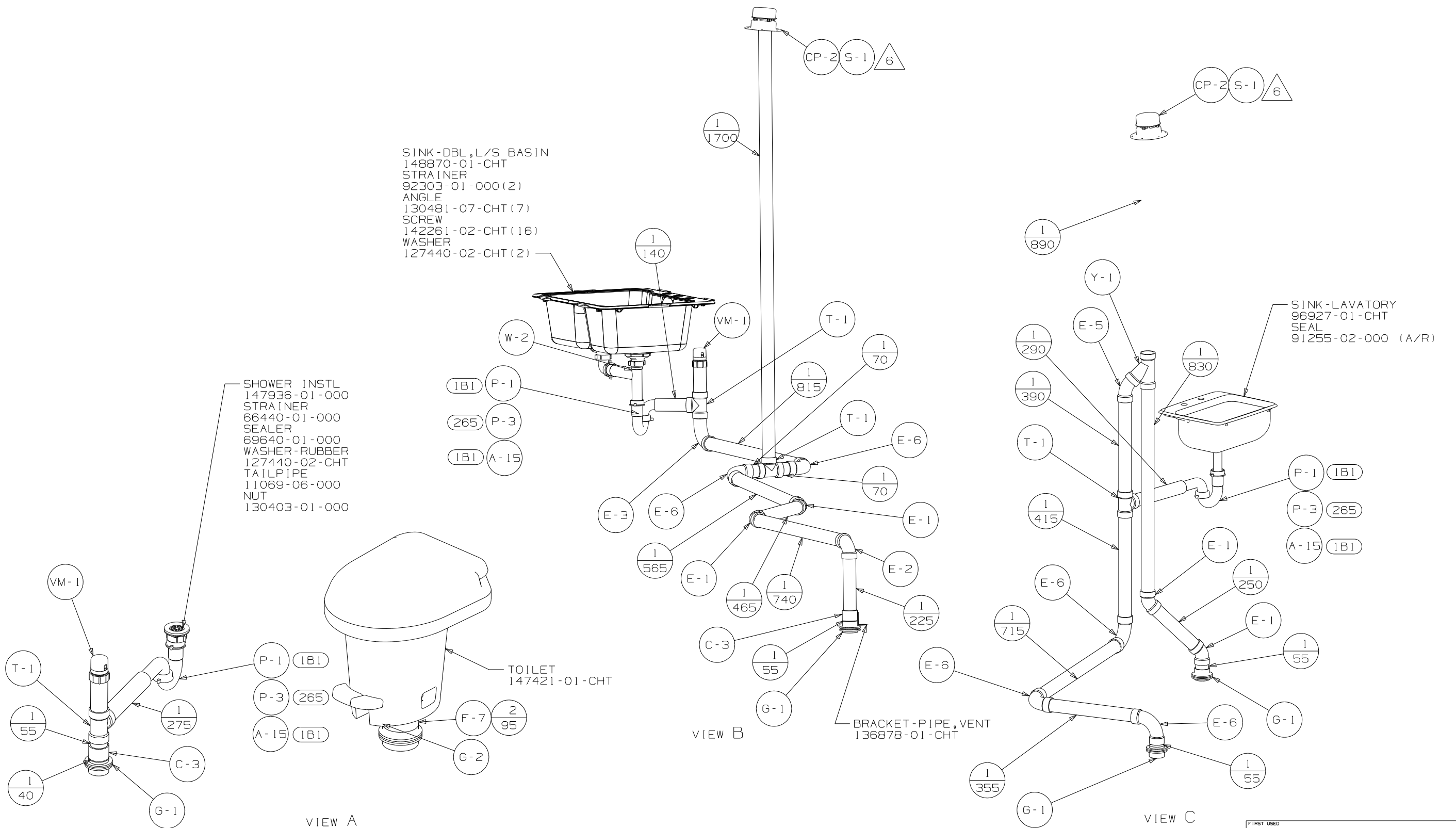
SINK-DBL,L/S BASIN  
 148870-01-CHT  
 STRAINER  
 92303-01-000 (2)  
 ANGLE  
 130481-07-CHT (7)  
 SCREW  
 142261-02-CHT (16)  
 WASHER  
 127440-02-CHT (2)

SHOWER INSTL  
 147936-01-000  
 STRAINER  
 66440-01-000  
 SEALER  
 69640-01-000  
 WASHER-RUBBER  
 127440-02-CHT  
 TAILPIPE  
 11069-06-000  
 NUT  
 130403-01-000

SINK-LAVATORY  
 96927-01-CHT  
 SEAL  
 91255-02-000 (A/R)

TOILET  
 147421-01-CHT

BRACKET-PIPE, VENT  
 136878-01-CHT



VIEW A

VIEW B

VIEW C

FIRST USED	05 726A
TITLE	DO NOT SCALE DRAWING
	DRAINAGE SYSTEM INSTL
SHEET 2	PART NO 149196

FRONT AXLE

VEHICLE

1165

1443

DATUM  
(CORNER OF FLOOR)

BRACKET-TIE DOWN, WATER TANK  
112628-08-CHT  
SCREW  
G39-08-08U (2)

TANK - HOLDING  
149286-02-000

TANK - HOLDING  
149287-02-000

4160

207

4991

BRACKET-TIE DOWN  
112628-07-CHT  
SCREW  
G39-08-08U (2)

VIEW D

FOAM-SUPPORT, HOLDING TANK  
130223-17-000

INSULATION-DRAINAGE COMPT  
120050-57-000 (2)

FOAM-SUPPORT, HOLDING TANK  
130223-18-000

FOAM-SUPPORT, HOLDING TANK  
130223-19-000

INSULATION-DRAINAGE COMPT  
120050-60-000

FOAM-SUPPORT, HOLDING TANK  
130223-16-000

INSULATION-DRAINAGE COMPT  
120050-61-000

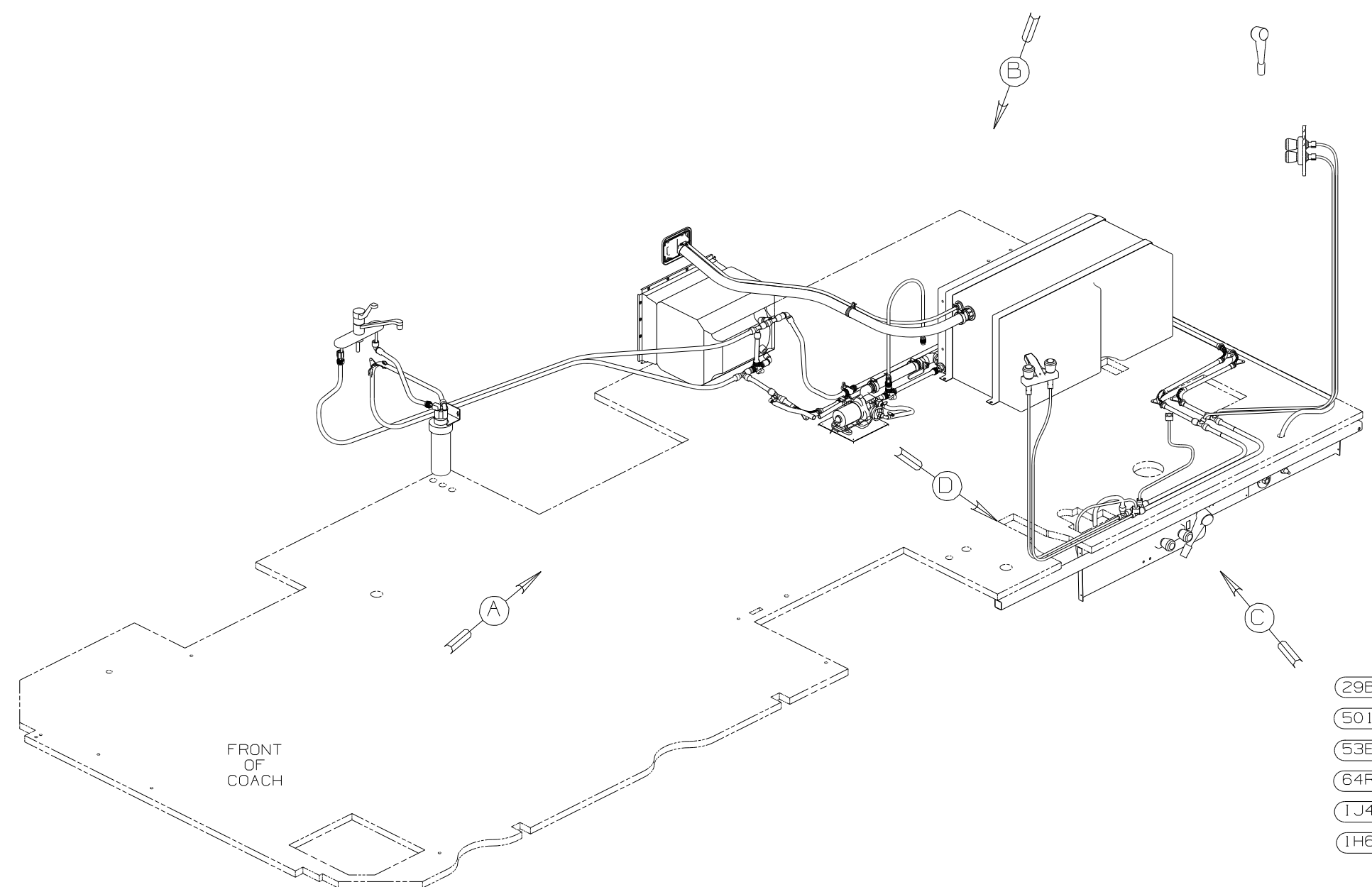
N-3  
C-2  
2/60  
V-11  
H-1  
V-11  
2/60  
C-2  
N-3

VIEW E

FIRST USED	05 726A
DO NOT SCALE DRAWING	
TITLE	DRAINAGE SYSTEM INSTL
SHEET 3	PART NO 149196

DWG NO	----
149195-01	RH SHOWN
149195-02	LH OPPOSITE

RELEASE	REV DATE	DWG NO
A		149195
REV ZONE	REVISION RECORD	DATE

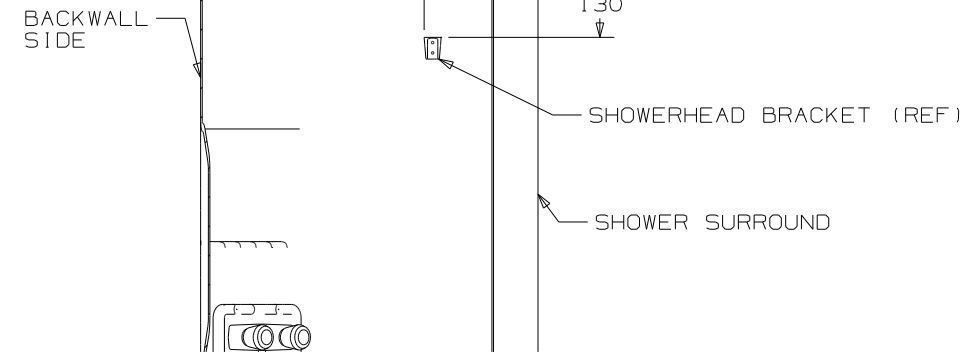
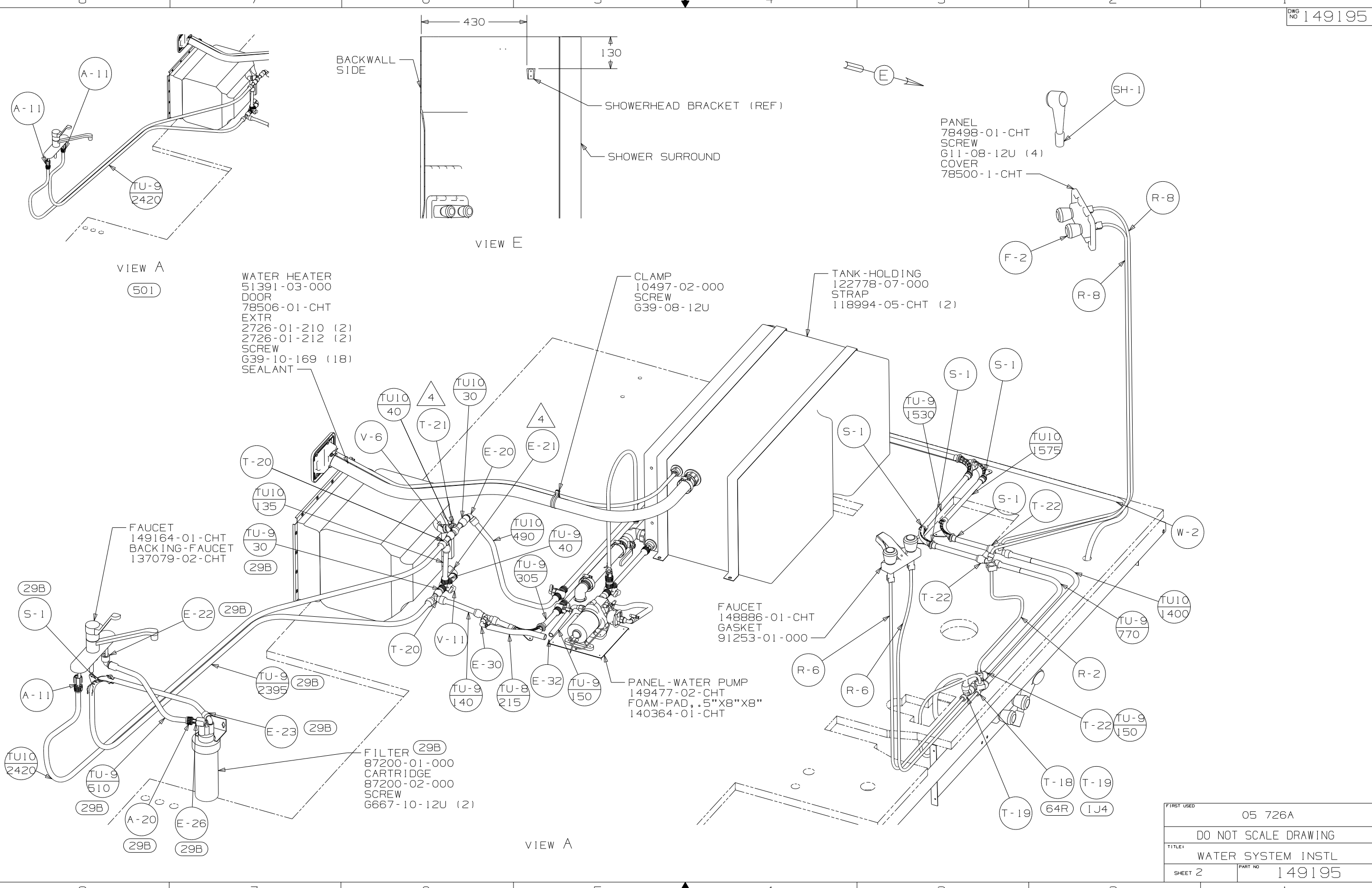


- (29B) WATER PURIFIER
- (50I) WATER PURIFIER W/O
- (53E) WATER SYS WINTERIZATION PKG
- (64R) EXTERIOR WASH STATION
- (1J4) EXTERIOR SHWR-W/O
- (1H6) AIR SPRING-WITHOUT

- NOTES:
- 6 ADD TEFLON TAPE 10405-03-000.
  - 5 ADD TEFLON TAPE 10405-02-000.
  - 4 ADD TEFLON TAPE 10405-01-000.
  3. ALL TUBING TO BE SECURED AT 1200 INTERVALS MAXIMUM WITH CLAMP 10495-01-000 OR CLIP 9151-01-000 AND SCREW G67-10-12B.
  2. TUBING TO BE INSTALLED WITH SUFFICIENT SLOPE TO PROVIDE DRAINAGE TO NEAREST VALVE.
  1. PLASTIC FITTINGS TO BE SEALED WITH SEALANT 84456-01-000.

(X-X)  
FOR  
WATER  
CALLOUTS  
SEE DWG NO  
116230-01-000

<b>WINNEBAGO</b>		COPYRIGHT 2005 WINNEBAGO INDUSTRIES, INC.	
DFT	ORIG. DATE	ALL DIMENSIONS ARE IN MILLIMETERS	
CHKR		FIRST USED	
P.E.		05 726A	
M.E.		UNSPECIFIED TOLERANCES ARE:	
DSNR		MATERIAL:	
		WHOLE DIM (X)	: 3
		ONE-PLACE (X.X)	: 1.5
		TWO-PLACE (X.XX)	: 0.50
		ANGLE	: 1°
THIRD ANGLE PROJECTION		DO NOT SCALE DRAWING	
TITLE: WATER SYSTEM INSTL			
SHEET 1 OF 3		PART NO 149195	



PANEL  
78498-01-CHT  
SCREW  
611-08-12U (4)  
COVER  
78500-1-CHT

WATER HEATER  
51391-03-000  
DOOR  
78506-01-CHT  
EXTR  
2726-01-210 (2)  
2726-01-212 (2)  
SCREW  
639-10-169 (18)  
SEALANT

CLAMP  
10497-02-000  
SCREW  
G39-08-12U

TANK-HOLDING  
122778-07-000  
STRAP  
118994-05-CHT (2)

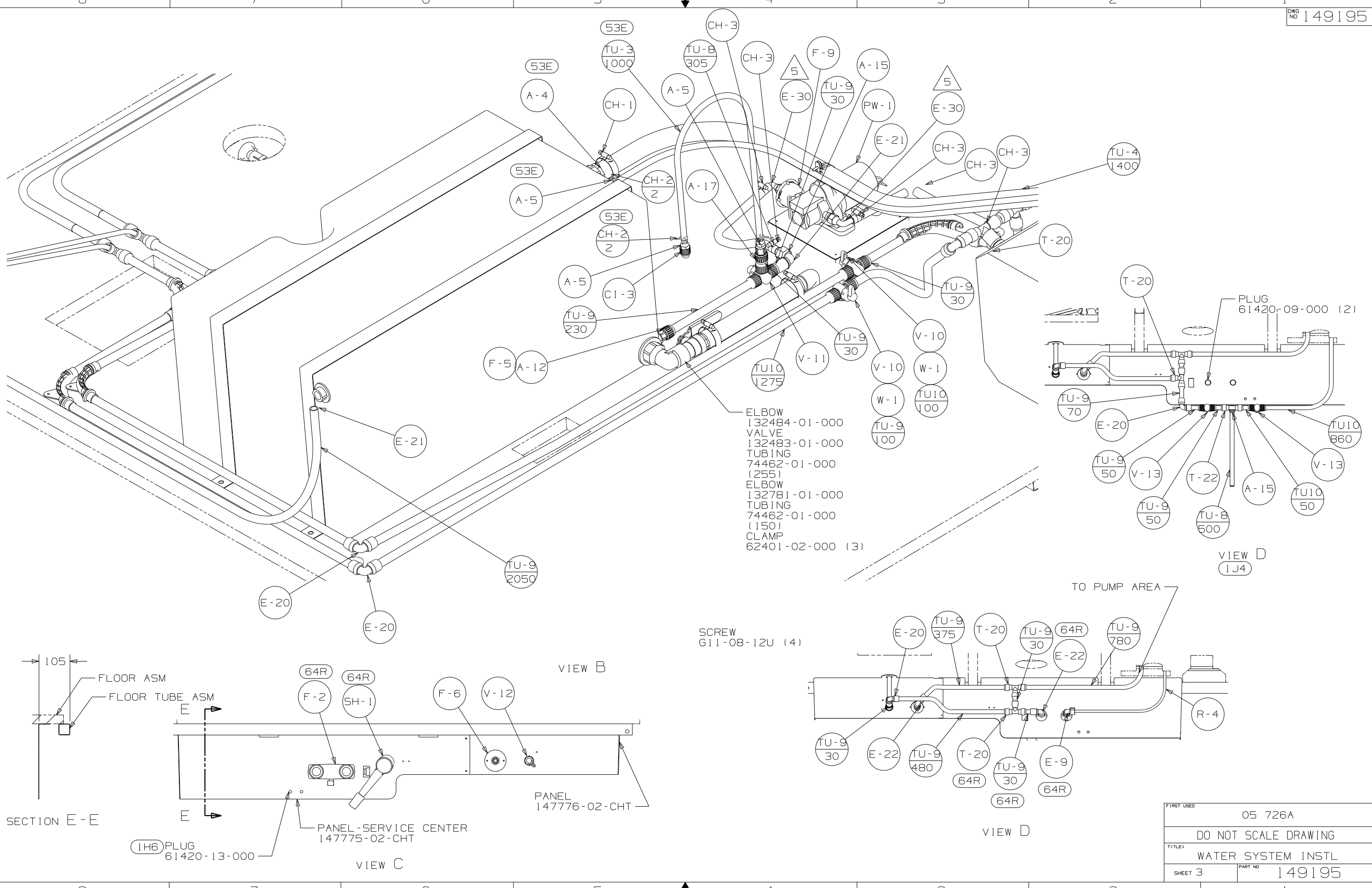
FAUCET  
149164-01-CHT  
BACKING-FAUCET  
137079-02-CHT

FAUCET  
148886-01-CHT  
GASKET  
91253-01-000

PANEL-WATER PUMP  
149477-02-CHT  
FOAM-PAD, .5"X8"X8"  
140364-01-CHT

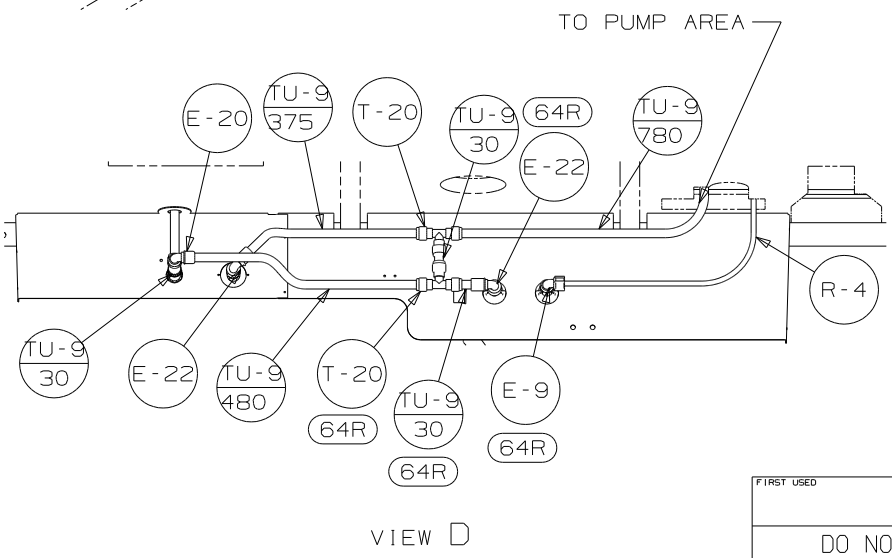
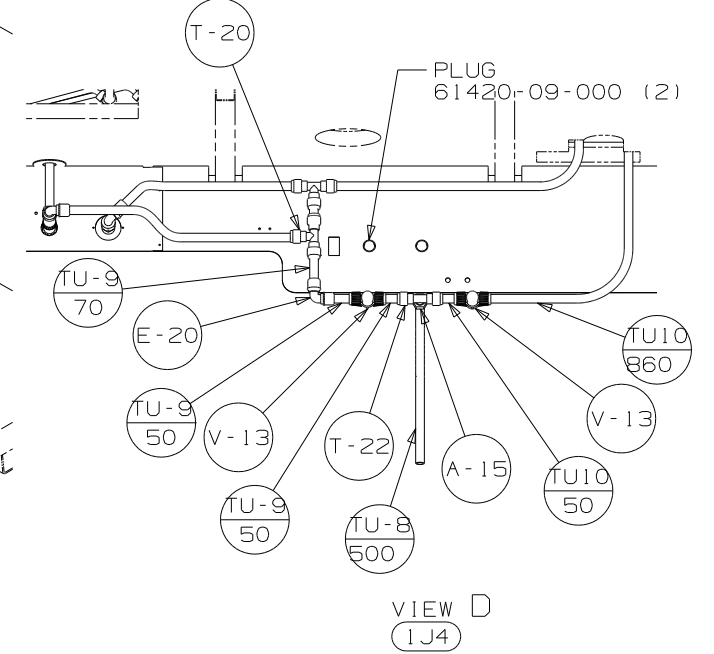
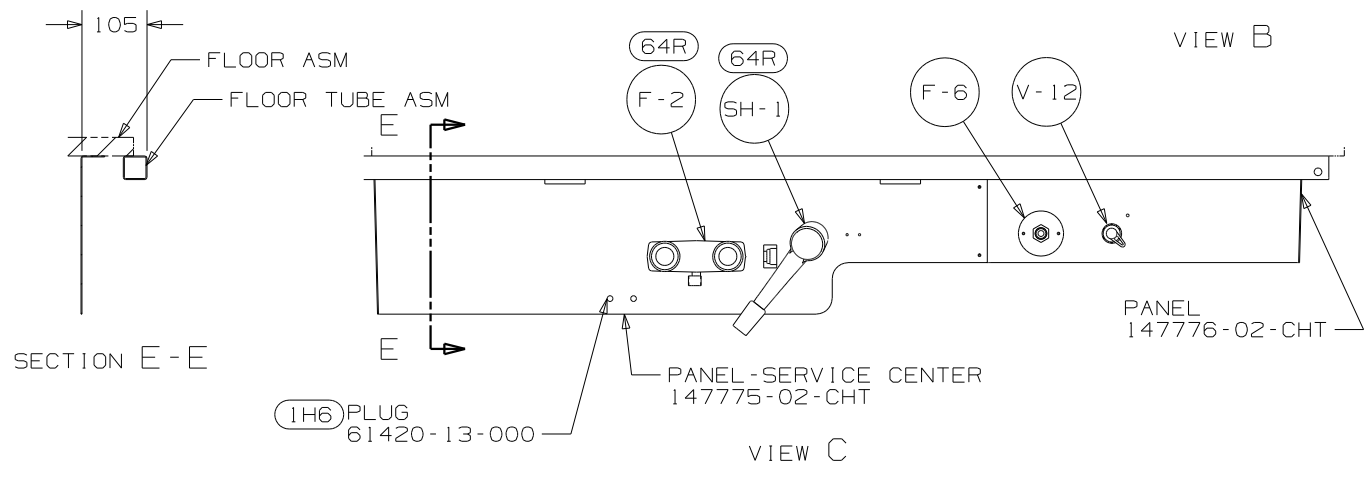
FILTER  
87200-01-000  
CARTRIDGE  
87200-02-000  
SCREW  
G667-10-12U (2)

FIRST USED	05 726A
TITLE	DO NOT SCALE DRAWING
TITLE	WATER SYSTEM INSTL
SHEET 2	PART NO 149195



- ELBOW 132484-01-000
- VALVE 132483-01-000
- TUBING 74462-01-000 (255)
- ELBOW 132781-01-000
- TUBING 74462-01-000 (150)
- CLAMP 62401-02-000 (3)

- SCREW 611-08-12U (4)



FIRST USED	05 726A
TITLE	DO NOT SCALE DRAWING
TITLE	WATER SYSTEM INSTL
SHEET 3	PART NO 149195