



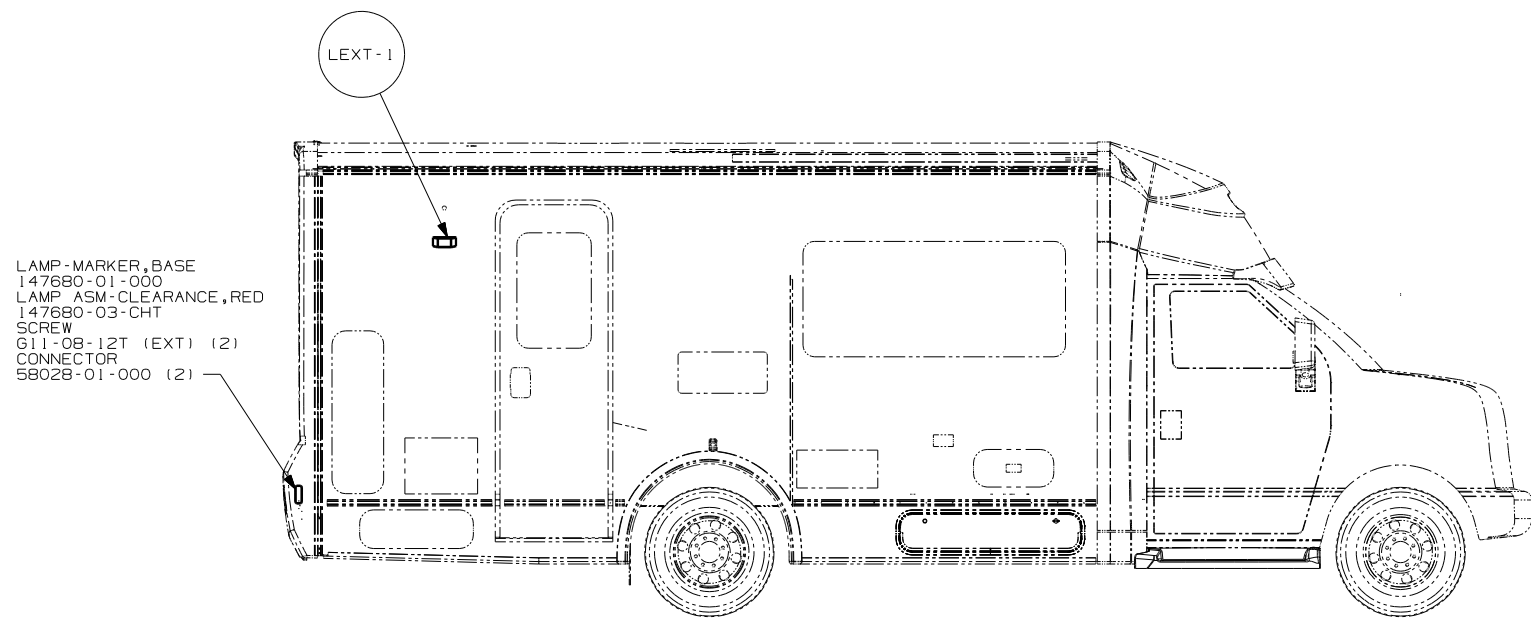
DANGER

Danger of electrical shock, burns or death. Always remove all power sources before attempting any repair, service or diagnostic work. Power can be present from shore power, generator, inverter or battery. All power sources must be disabled and secured before performing any service.

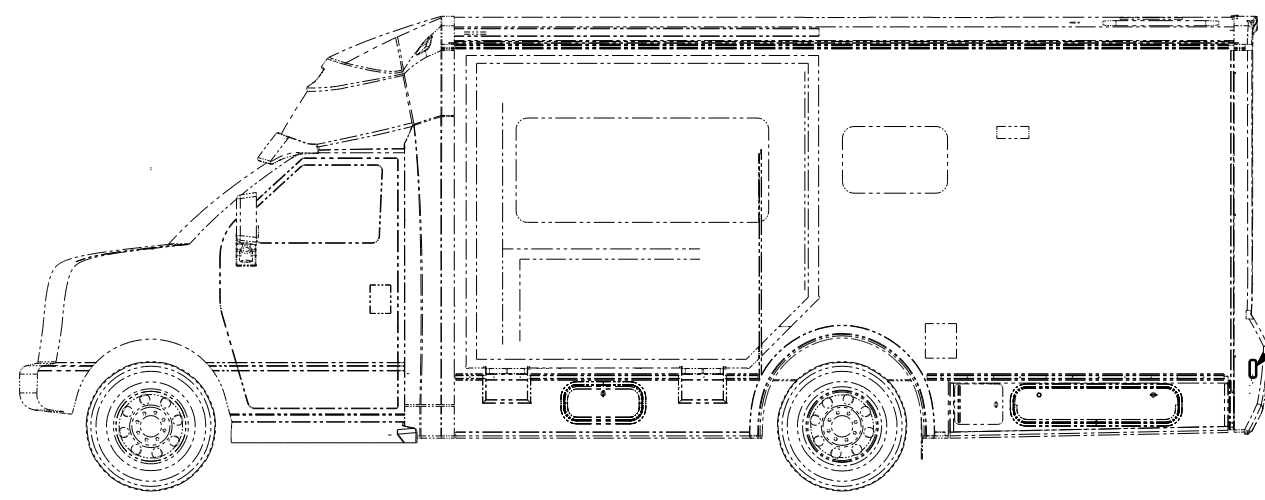


CAUTION

If you lack the skills, tools or equipment to perform diagnostic or repair work leave such work to an authorized Winnebago Industries dealer or other qualified shop.



LAMP-MARKER, BASE
147680-01-000
LAMP-ASM-CLEARANCE, RED
147680-03-CHT
SCREW
611-08-12T (EXT) (2)
CONNECTOR
58028-01-000 (2)



LAMP-MARKER, BASE
147680-01-000
LAMP-ASM-CLEARANCE, RED
147680-03-CHT
SCREW
611-08-12T (EXT) (2)
CONNECTOR
58028-01-000 (2)

265 CODES/STANDARDS-CSA/CMVSS
1B1 CODES/STANDARDS USA
1B1 265

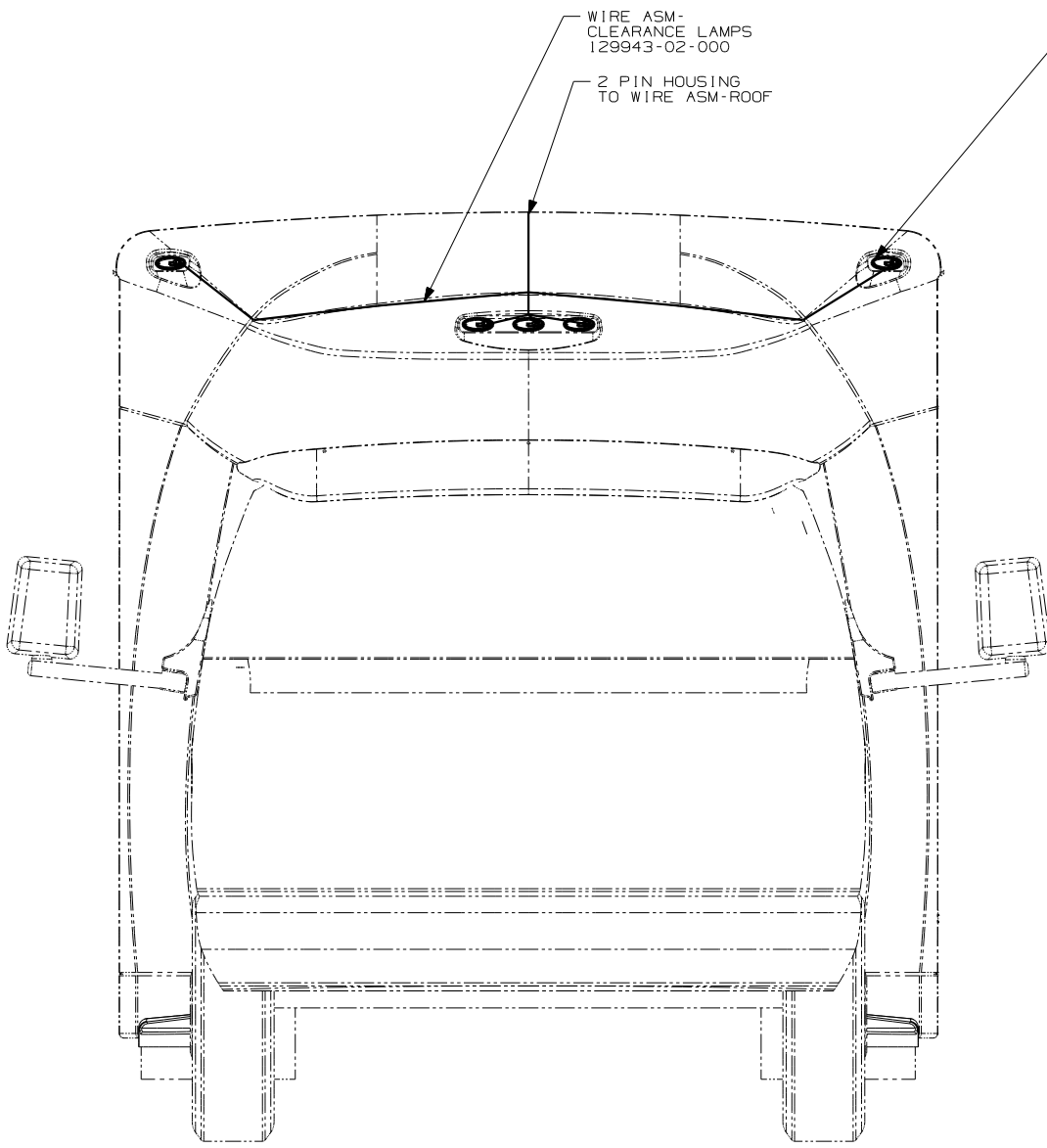


DFTR	ORIG. DATE
CHKR	ALL DIMENSIONS ARE IN MILLIMETERS
P.E.	
M.E.	FIRST USED
DSNR	05 700 SERIES
UNSPECIFIED TOLERANCES ARE:	MATERIAL:
HOLE DIM (X) :	
ONE-PLACE (X.X) :	
TWO-PLACE (X.XX) :	
ANGLE :	
THIRD ANGLE PROJECTION	

FOR ELECTRICAL TORQUE SPECIFICATIONS SEE DWG NO. 128783-01-000

FOR ELECTRICAL CALLOUTS SEE DWG NO. 121339-01-000

DO NOT SCALE DRAWING
TITLE: WIRING INSTL-EXTERIOR LAMPS
SHEET 1 OF 2 PART NO 148249

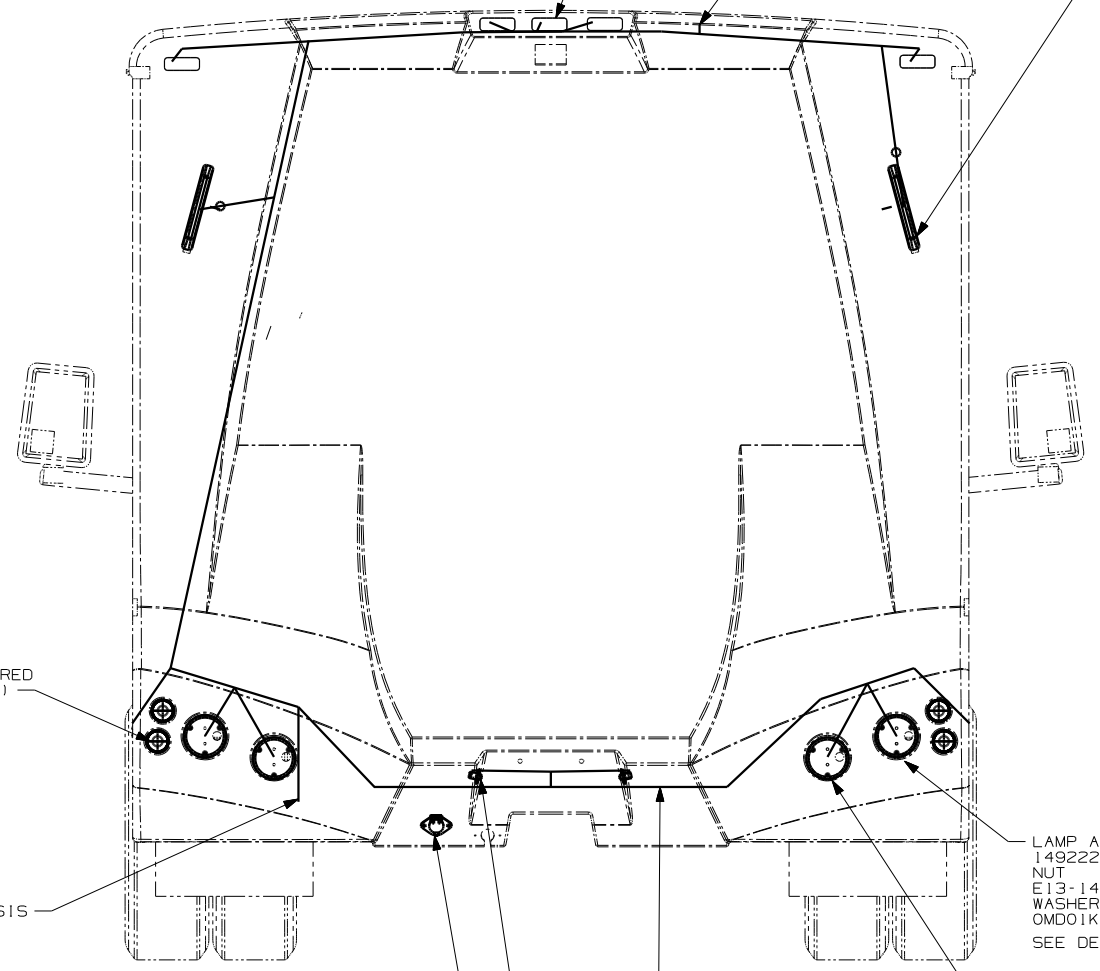


LAMP-MARKER, BASE
147680-01-000 (5)
LAMP ASM-CLEARANCE, RED
147680-02-CHT (5)
SCREW
611-08-12U (EXT) (10)

LAMP-MARKER, BASE
147680-01-000 (5)
LAMP ASM-CLEARANCE, RED
147680-02-CHT (5)
SCREW
611-08-12U (EXT) (10)

2 PIN HSG CONNECTS
TO WIRE ASM-ROOF

LIGHT ASM-BRAKE
CENTER MOUNT (2)
151076-01-000
SCREW
611-08-08T (4)



REFLECTOR-ROUND, RED
141514-01-000 (4)

6 PIN HSG
TO WIRE ASM-CHASSIS

LIGHT-LICENSE
87201-01-000 (2)
SCREW
611-06-12U (EXT) (4)

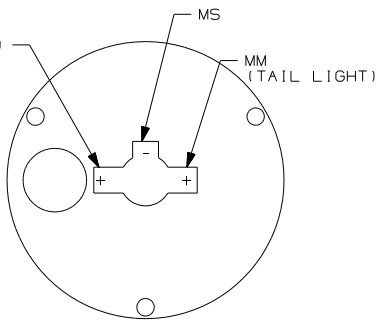
TRAILER PLUG ASM
(CONNECTS TO
WIRE ASM-CHASSIS)

WIRE ASM-BACKWALL
149288-01-000

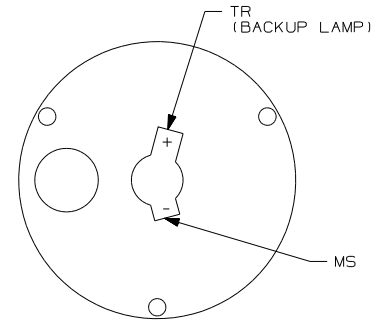
LAMP ASM-STOP, TURN, TAIL
149222-01-000 (2)
NUT
E13-14-00B (4)
WASHER
OMD01K-06-000 (4)
SEE DETAIL BA

LAMP ASM-BACKUP
149222-02-000 (2)
NUT
E13-14-00B (4)
WASHER
OMD01K-06-000 (4)
SEE DETAIL BB

SC
(RIGHT SIDE STOP/TURN)
OR
SD-
(LEFT SIDE STOP/TURN)



DETAIL BA
(REAR VIEW)



DETAIL BB
(REAR VIEW)

3 LOCATED IN REAR CAP.

2 SECURE WIRE BELOW COACH WITH CLAMP
10495-01-000 AND SCREW G67-10-12B.

1. CONNECTOR-PLUG, TRAILER 113589-01-000 TO BE SUPPLIED
LOOSE IN COACH WITH TRAILER TOW PACKAGE.

NOTES:

265 CODES/STANDARDS-CSA/CMVSS

1B1 CODES/STANDARDS USA

1B1 265

FIRST USED
05 700 SERIES

DO NOT SCALE DRAWING

TITLE:
WIRING INSTL-EXTERIOR LAMPS

SHEET 2 PART NO 148249

FOR ELECTRICAL
TORQUE
SPECIFICATIONS
SEE DWG NO.
128783-01-000

FOR ELECTRICAL
CALLOUTS
SEE DWG NO.
121339-01-000