



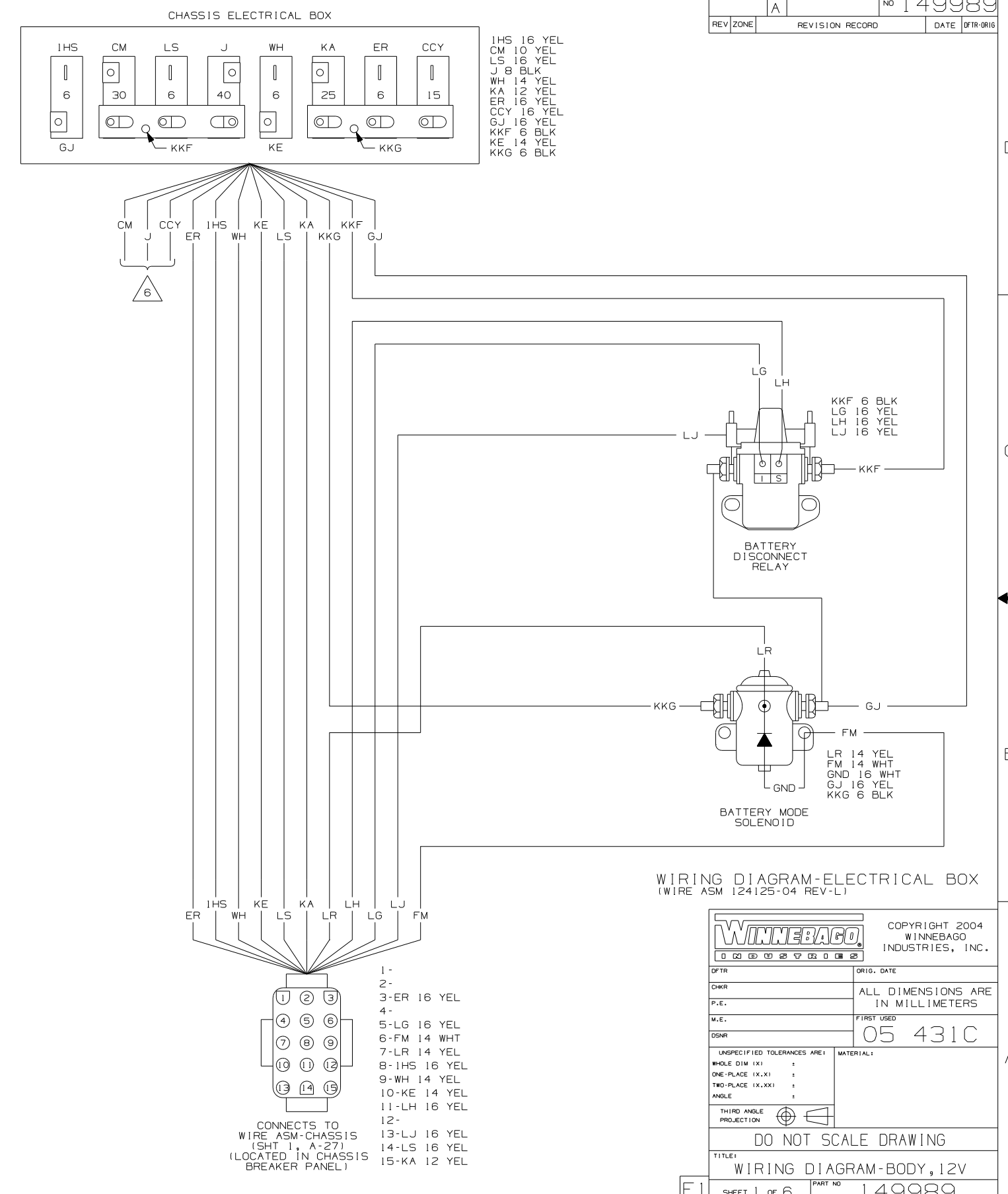
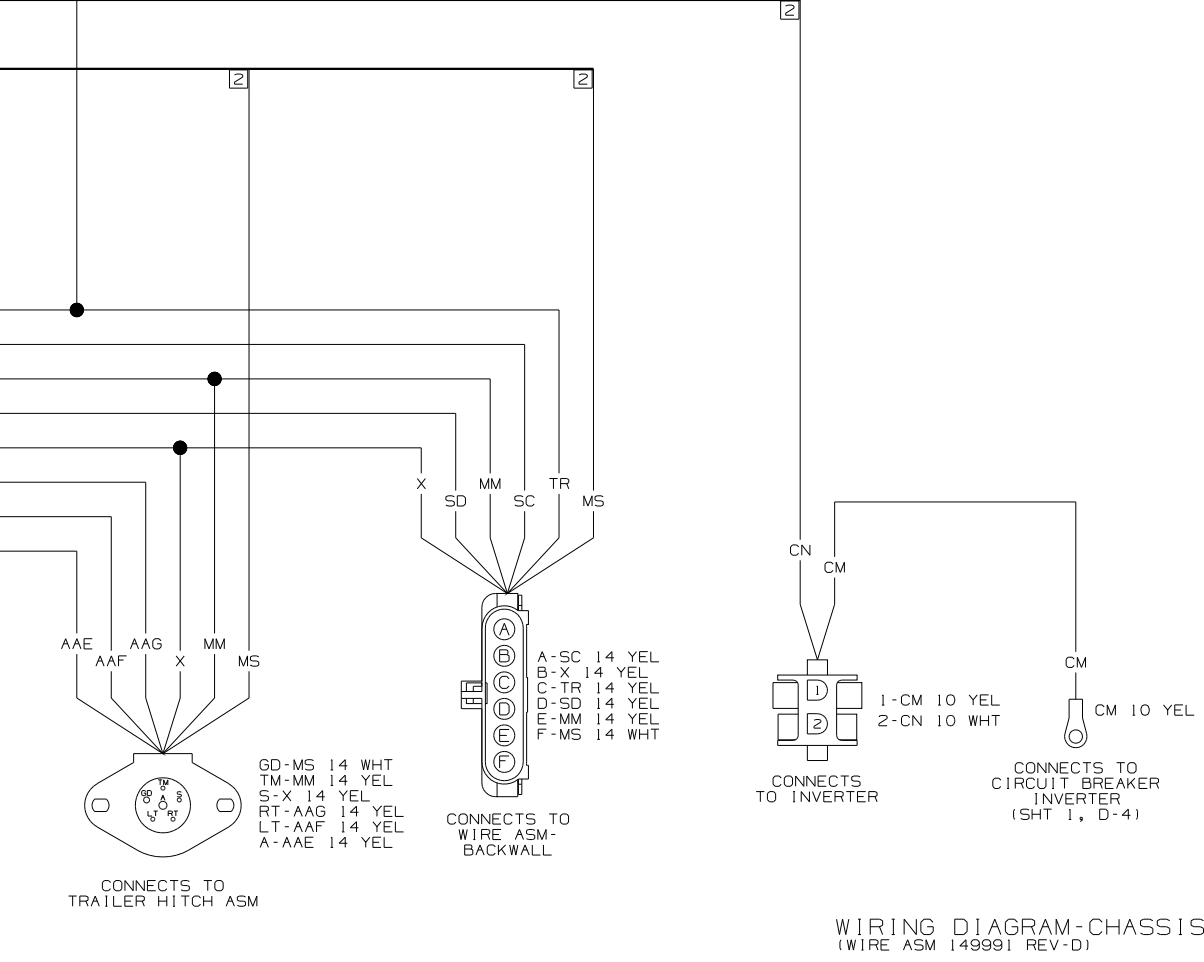
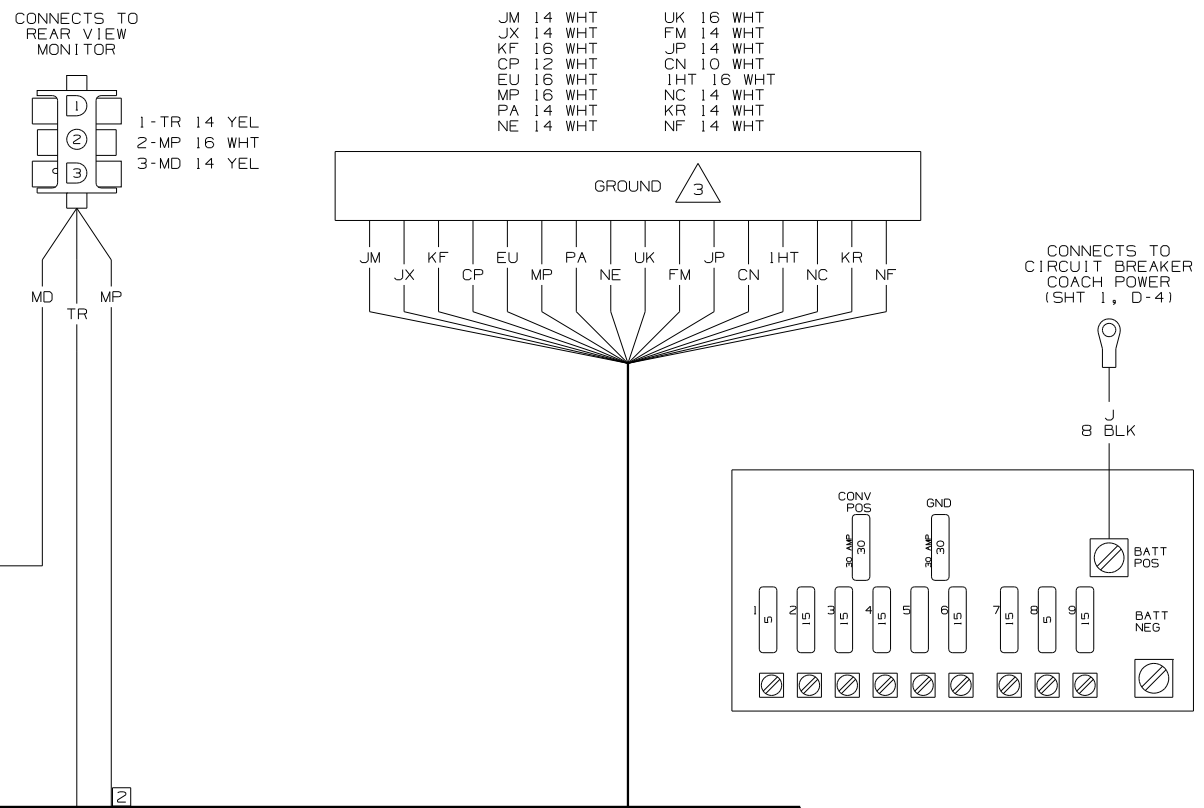
DANGER

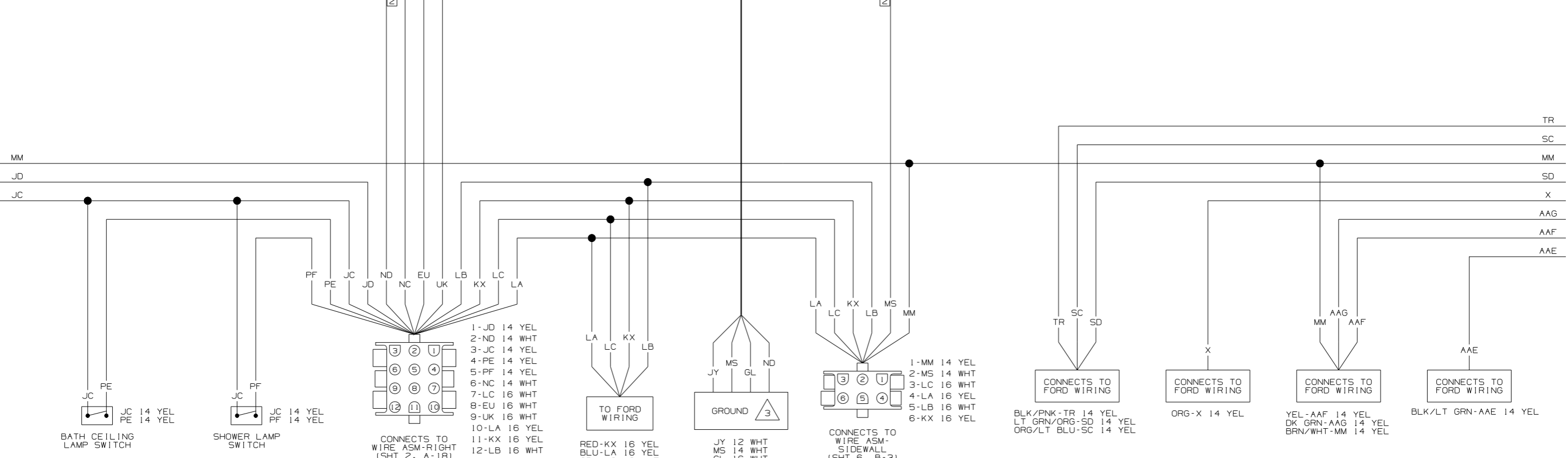
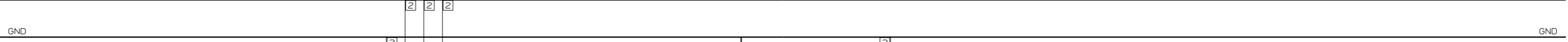
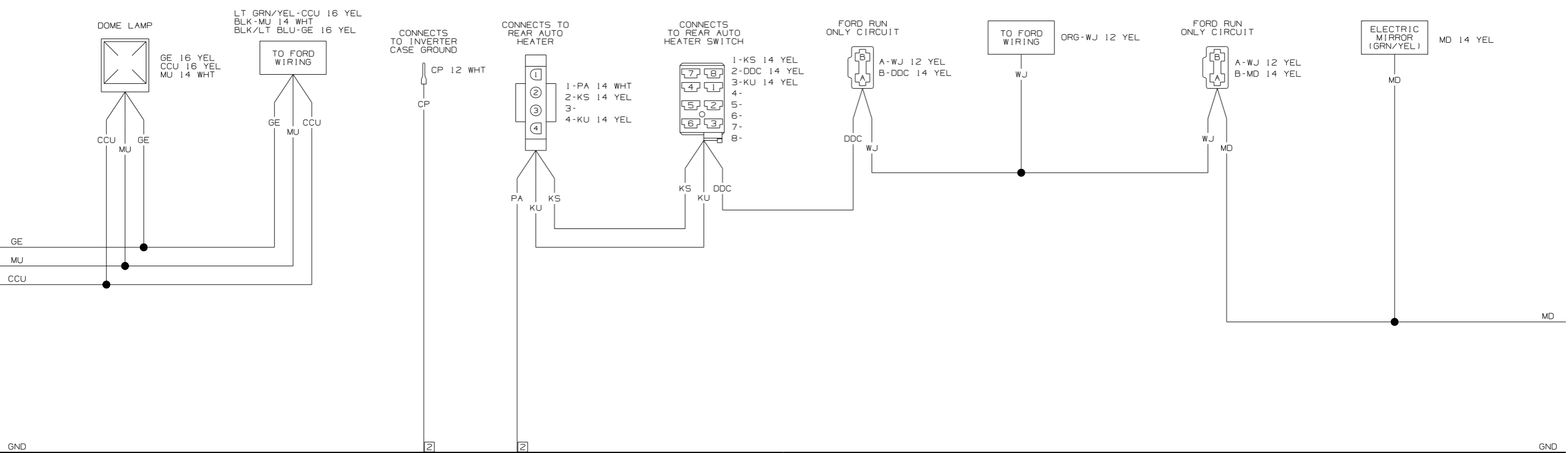
Danger of electrical shock, burns or death. Always remove all power sources before attempting any repair, service or diagnostic work. Power can be present from shore power, generator, inverter or battery. All power sources must be disabled and secured before performing any service.

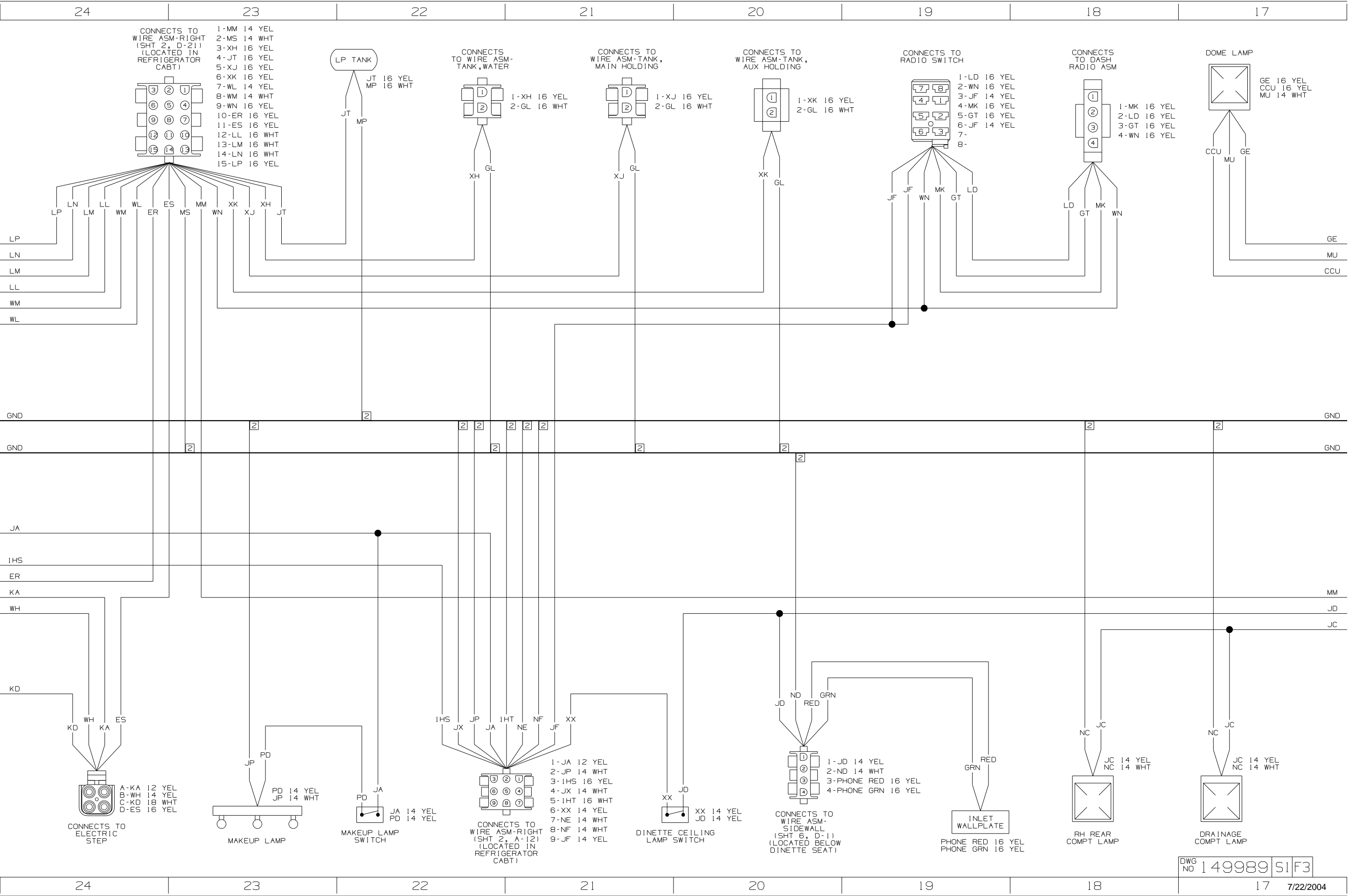


CAUTION

If you lack the skills, tools or equipment to perform diagnostic or repair work leave such work to an authorized Winnebago Industries dealer or other qualified shop.







CONNECTS TO WIRE ASM-RIGHT (SHT 2, A-22) (LOCATED IN REFRIGERATOR CABT)

- 1-DU 16 YEL
- 2-DT 16 YEL
- 3-DR 16 YEL
- 4-CCY 16 YEL
- 5-JS 12 YEL
- 6-EB 16 YEL
- 7-AG 12 YEL
- 8-BBH 16 YEL
- 9-AF 12 YEL
- 10-XP 16 YEL
- 11-XR 16 YEL
- 12-XS 16 YEL
- 13-JM 14 WHT
- 14-JH 14 YEL
- 15-JJ 14 YEL

CONNECTS TO THERMOSTAT

- 1-XP 16 YEL
- 2-JH 14 YEL
- 3-JM 14 WHT
- 4-JJ 14 YEL

CONNECTS TO EXTERIOR WATER PUMP SWITCH

- 1-AG 12 YEL
- 2-JA 12 YEL
- 3-AF 12 YEL
- 4-
- 5-
- 6-
- 7-JS 12 YEL
- 8-JP 14 WHT

WATER PUMP

- RED-JS 12 YEL
- BLK-JY 12 WHT

TO FORD HOUSING (326 @ A-PILLAR CONNECTS TO PK/ORN)

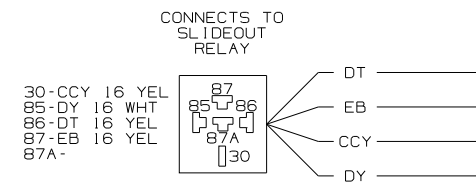
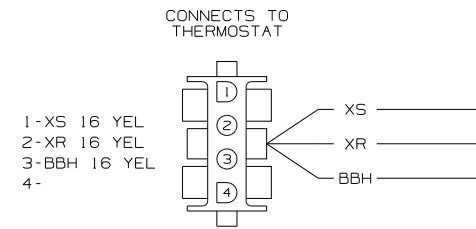
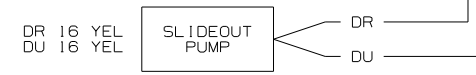
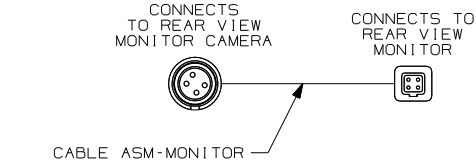
- WL 14 YEL
- WL 14 YEL

TO FORD HOUSING (325 @ A-PILLAR CONNECTS TO PK/BLK)

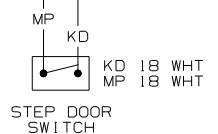
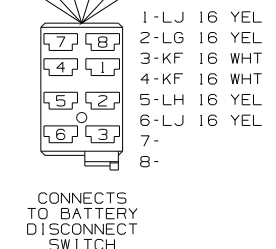
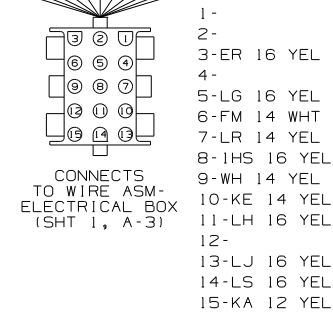
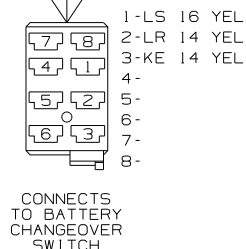
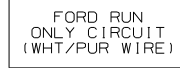
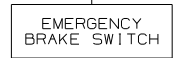
- WM 14 WHT
- WM 14 WHT

CONNECTS TO GENERATOR

- A-LN 16 WHT
- B-LM 16 WHT
- C-LL 16 WHT
- D-
- E-LP 16 YEL
- G-
- H-

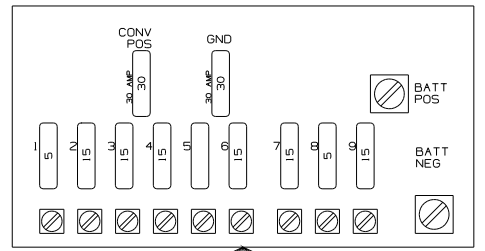


- 6 △ CIRCUIT IS FROM WIRE ASM-CHASSIS.
- 5 △ SEE WIRING DIAGRAM-AUTO FOR ADDITIONAL INFORMATION.
- 4 △ SEE MANUFACTURERS DIAGRAM FOR ADDITIONAL INFORMATION.
- 3 △ GROUNDS ARE SHOWN AS A SINGLE LINE FOR EASE IN TRACING. EACH GROUND CIRCUIT IS SEPERATE IN THE HARNESS.
- 2 □ NOT A SPLICE POINT. INDICATES ENTRY INTO WIRING HARNESS.
1. SPLICES ARE THEORETICAL AND MAY DIFFER IN THE HARNESS.

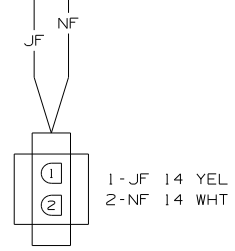
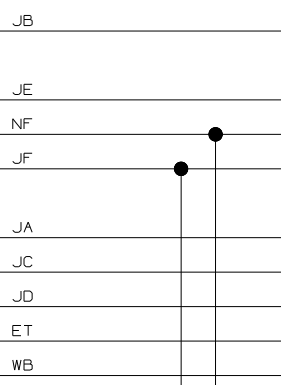
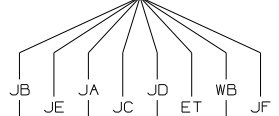


NOTES:

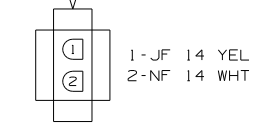
LOAD CENTER



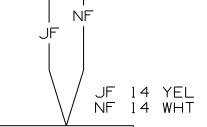
- JA 12 YEL
- JB 14 YEL
- JC 14 YEL
- JD 14 YEL
- JE 14 YEL
- JF 14 YEL
- ET 14 YEL
- WB 16 YEL



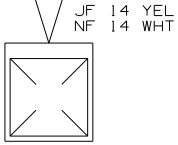
CONNECTS TO WIRE ASM ENTERTAINMENT CENTER (SHT 5, A-2) (LOCATED IN EXT ENT CTR)



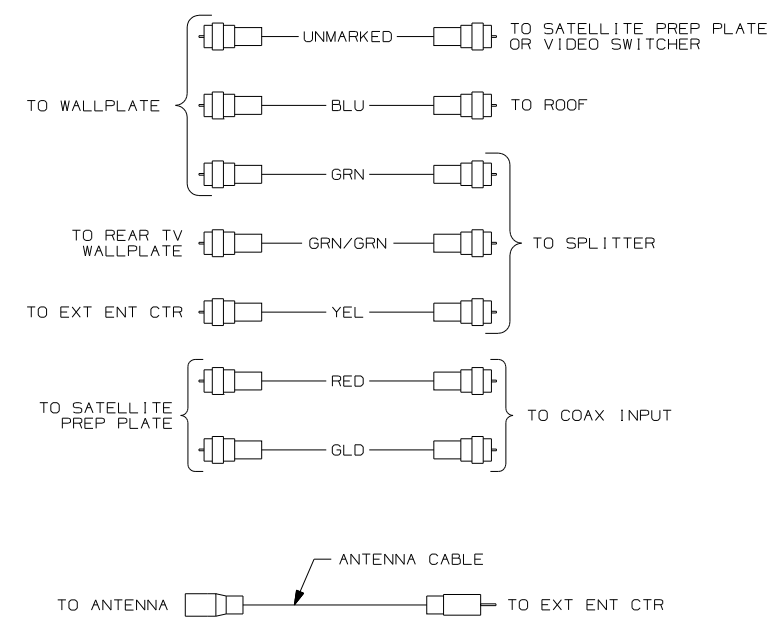
CONNECTS TO PORTABLE RADIOS



REAR TV WALLPLATE



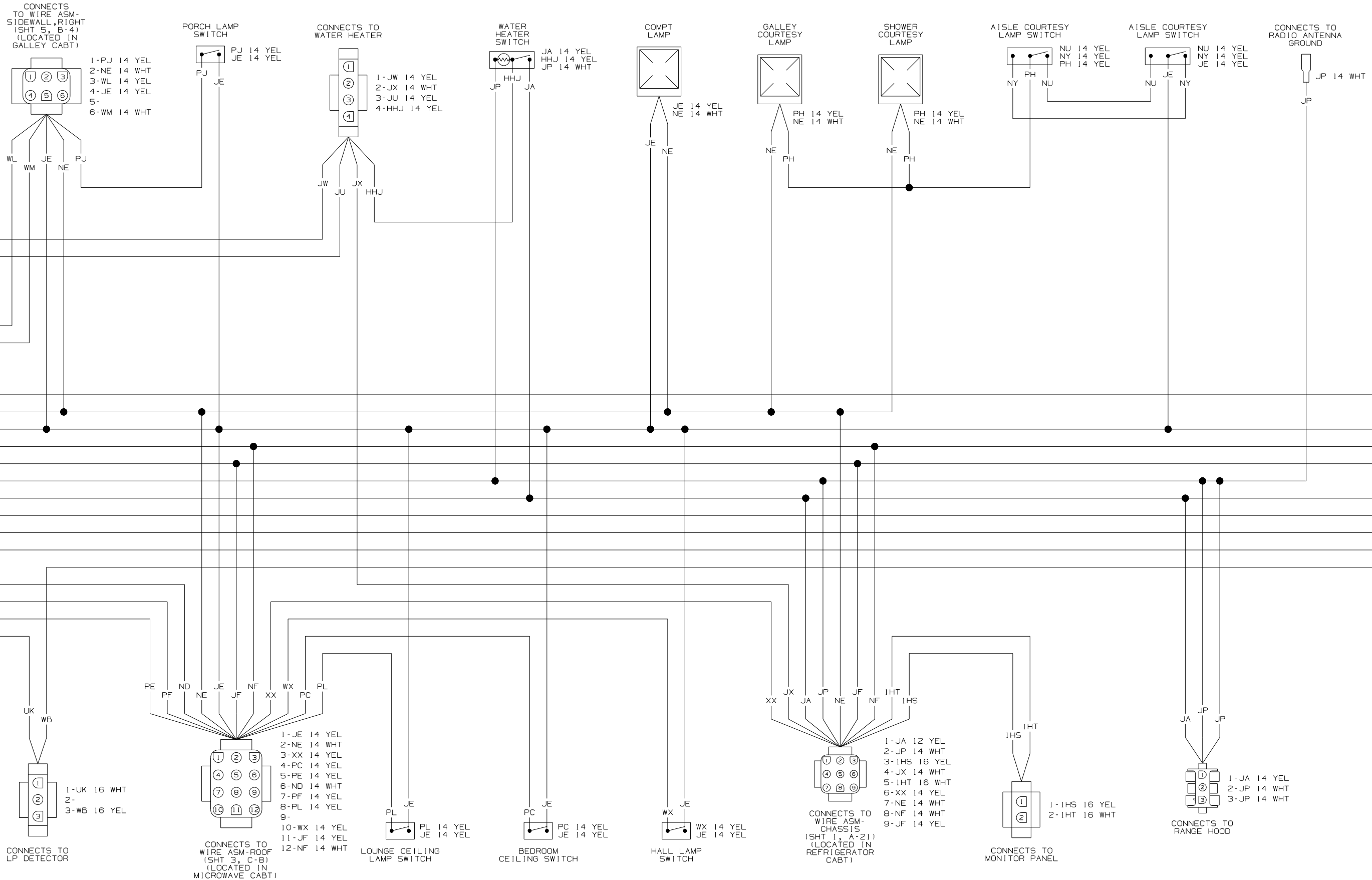
GALLEY OVHD LAMP

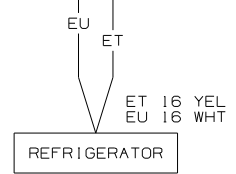
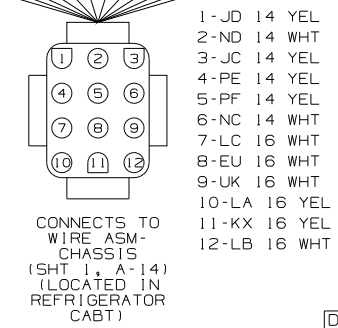
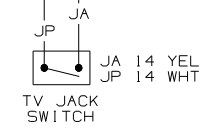
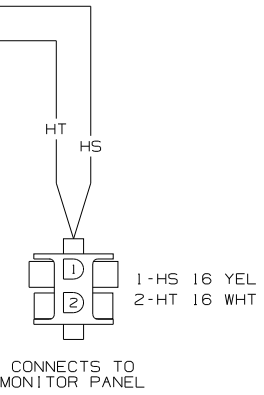
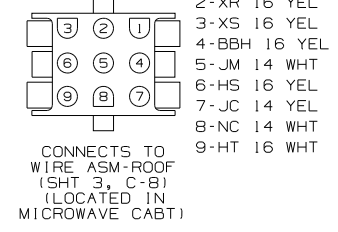
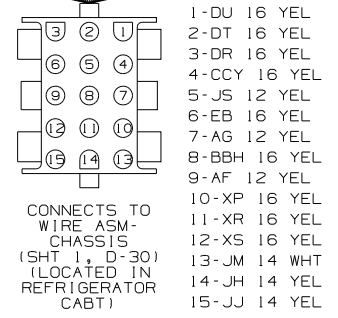
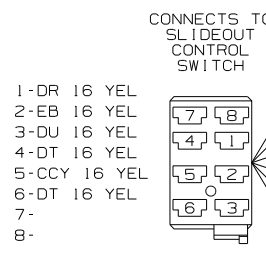
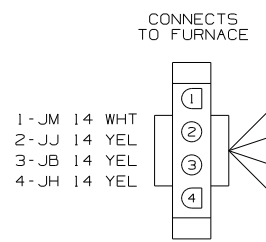
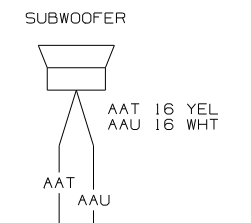
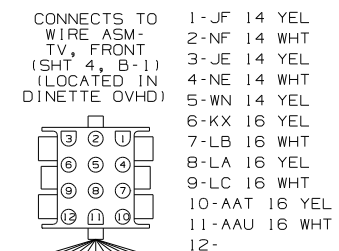
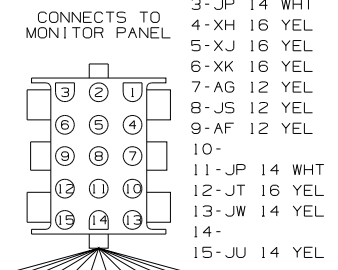
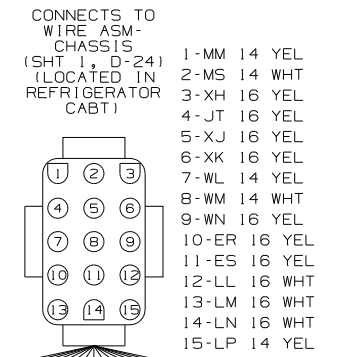
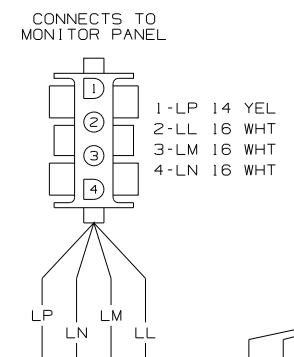
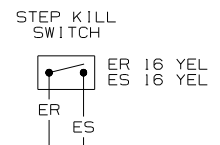
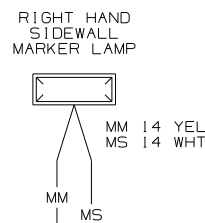


WIRING DIAGRAM-RIGHT (WIRE ASM 150146 REV-A)

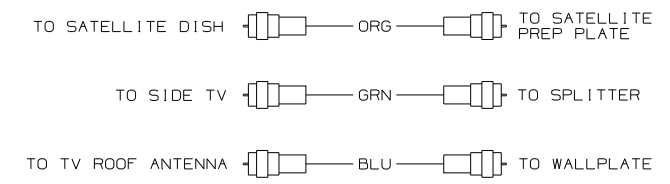
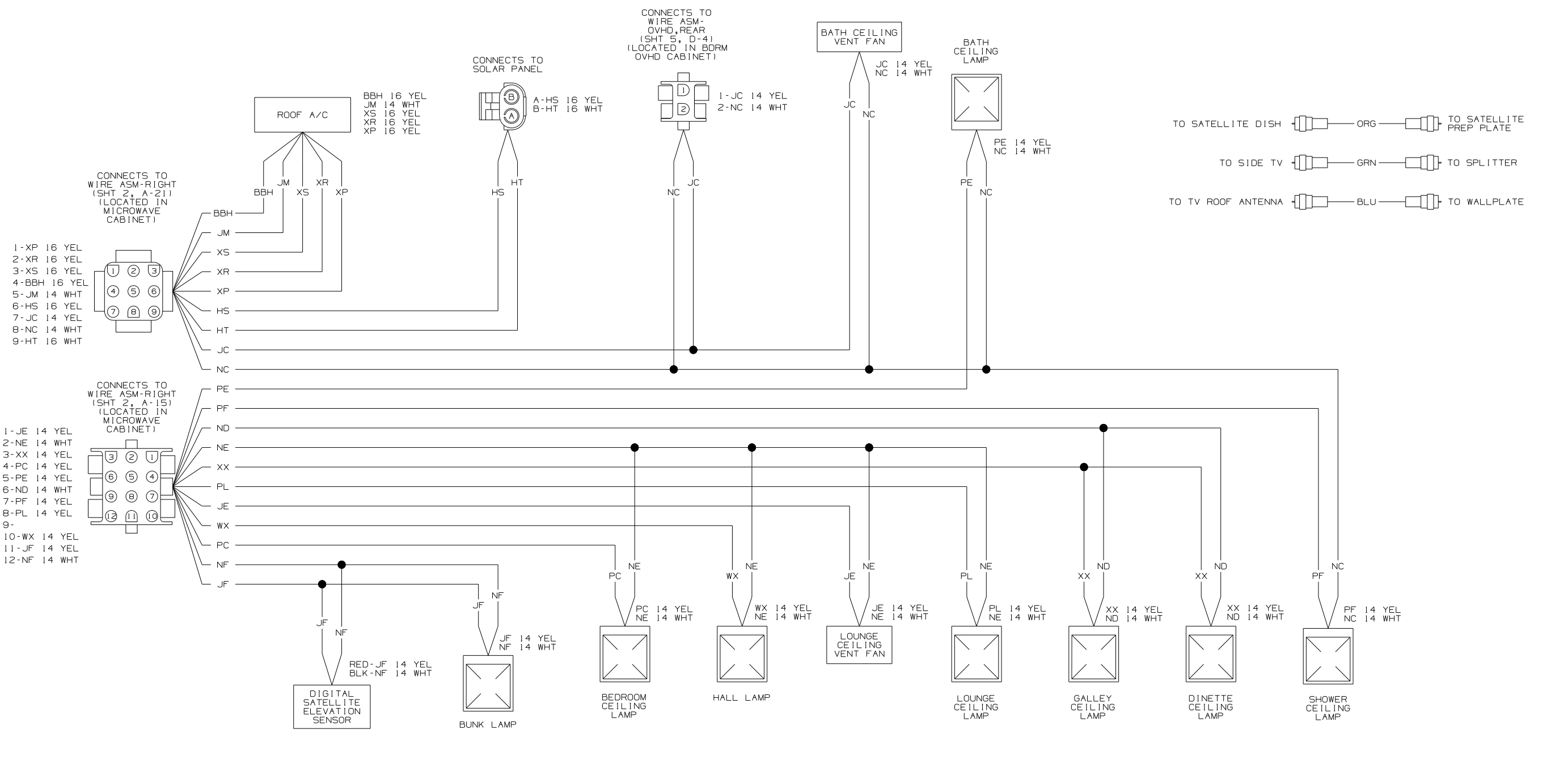
FIRST USED	05 431C	
TITLE	DO NOT SCALE DRAWING	
	WIRING DIAGRAM-BODY, 12V	
SHEET 2	PART NO	149989

D
C
B
A

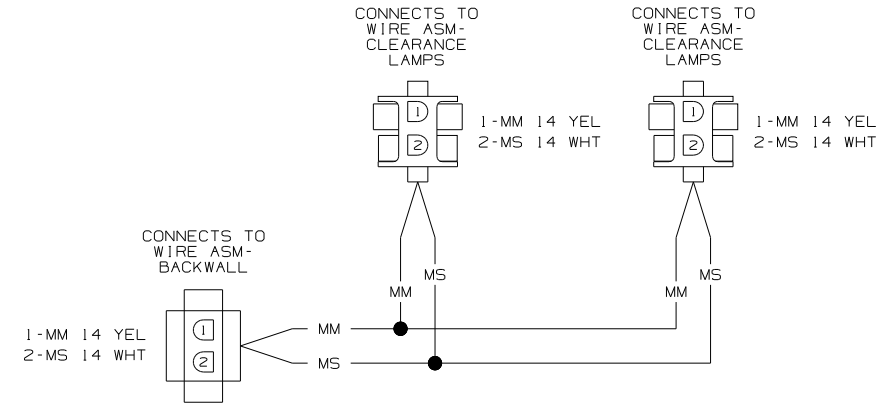




- NOTES:
- 5 SEE WIRING DIAGRAM-AUTO FOR ADDITIONAL INFORMATION.
 - 4 SEE MANUFACTURERS DIAGRAM FOR ADDITIONAL INFORMATION.
 - 3 GROUNDS ARE SHOWN AS A SINGLE LINE FOR EASE IN TRACING. EACH GROUND CIRCUIT IS SEPERATE IN THE HARNESS.
 - 2 NOT A SPLICE POINT. INDICATES ENTRY INTO WIRING HARNESS.
 - 1. SPLICES ARE THEORETICAL AND MAY DIFFER IN THE HARNESS.

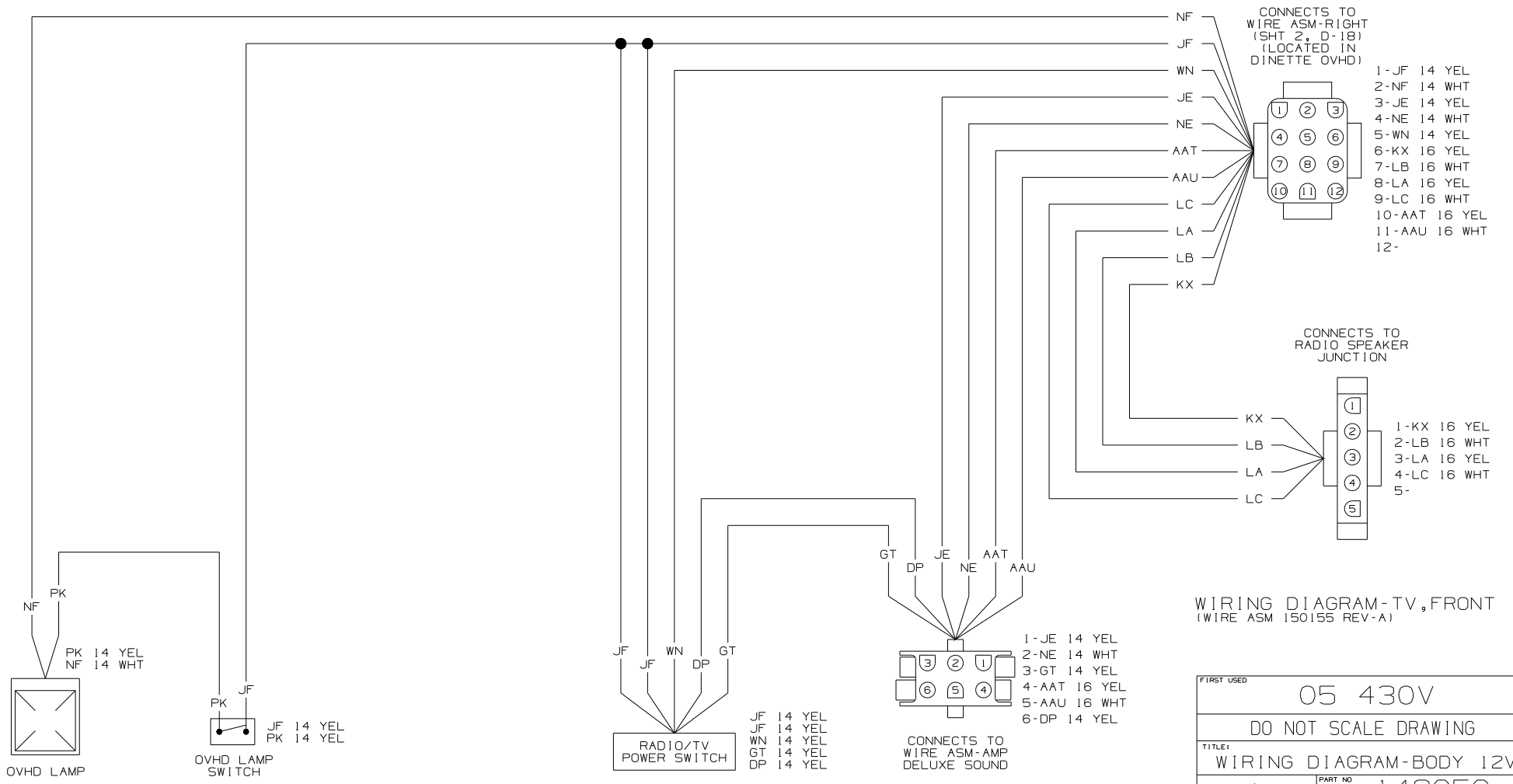
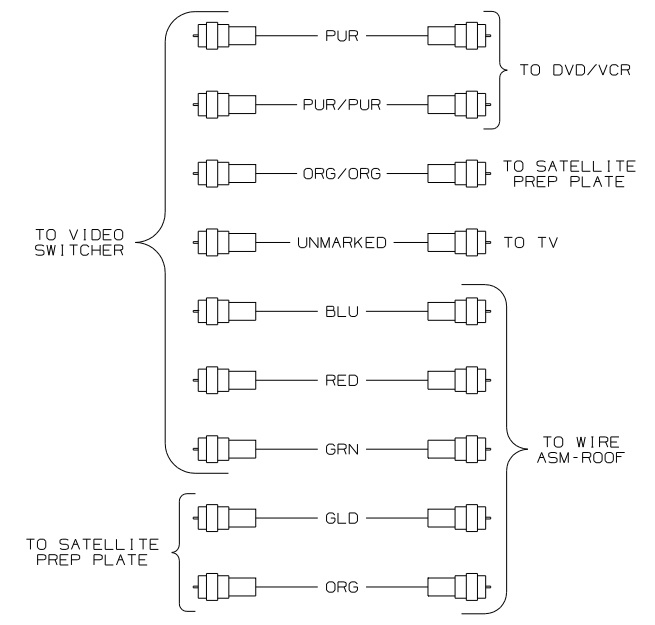
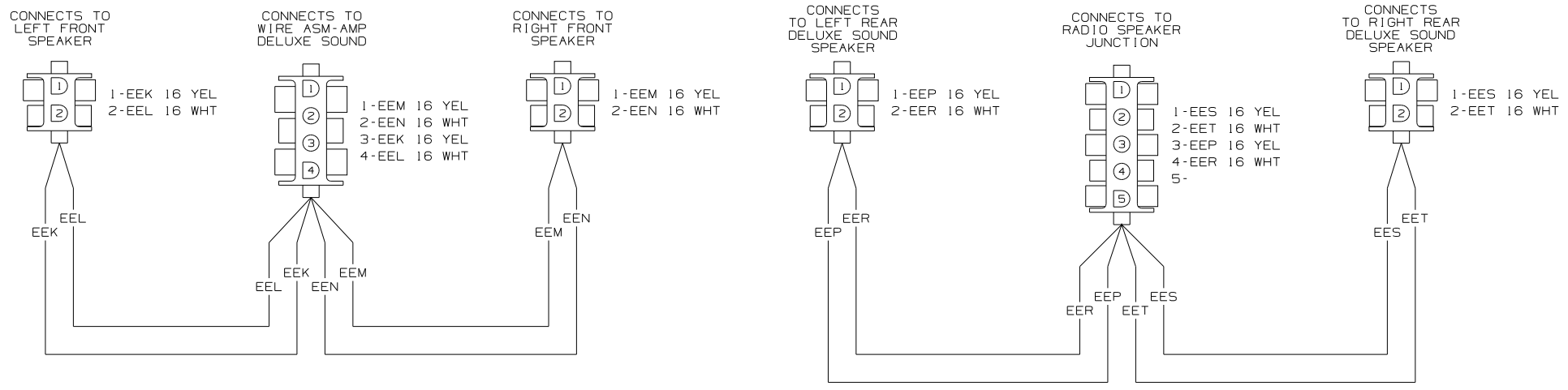


- NOTES:
- 5 SEE WIRING DIAGRAM-AUTO FOR ADDITIONAL INFORMATION.
 - 4 SEE MANUFACTURERS DIAGRAM FOR ADDITIONAL INFORMATION.
 - 3 GROUNDS ARE SHOWN AS A SINGLE LINE FOR EASE IN TRACING. EACH GROUND CIRCUIT IS SEPERATE IN THE HARNESS.
 - 2 NOT A SPLICE POINT. INDICATES ENTRY INTO WIRING HARNESS.
 - 1. SPLICES ARE THEORETICAL AND MAY DIFFER IN THE HARNESS.



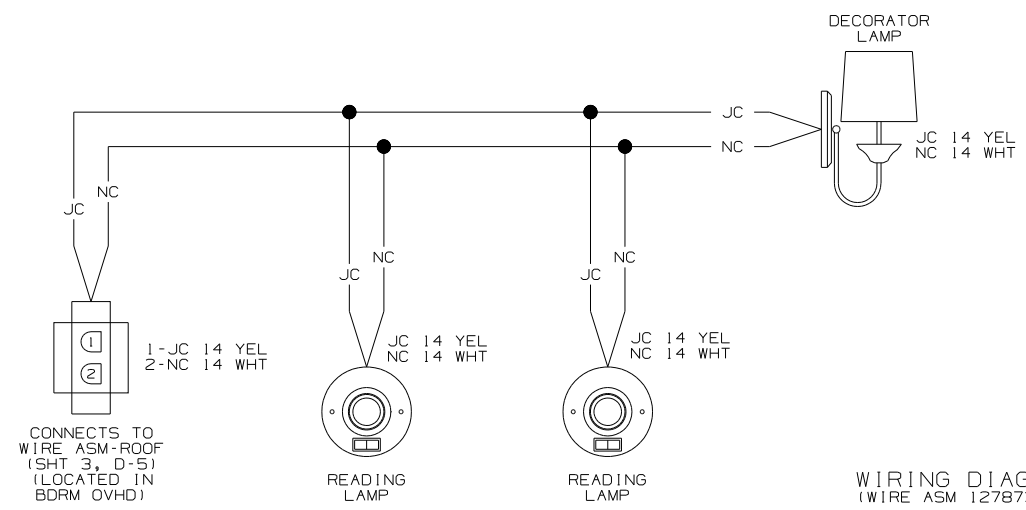
WIRING DIAGRAM-ROOF (WIRE ASM 150154 REV-B)

FIRST USED	05 431C
DO NOT SCALE DRAWING	
TITLE:	WIRING DIAGRAM-BODY, 12V
SHEET 3	PART NO 149989

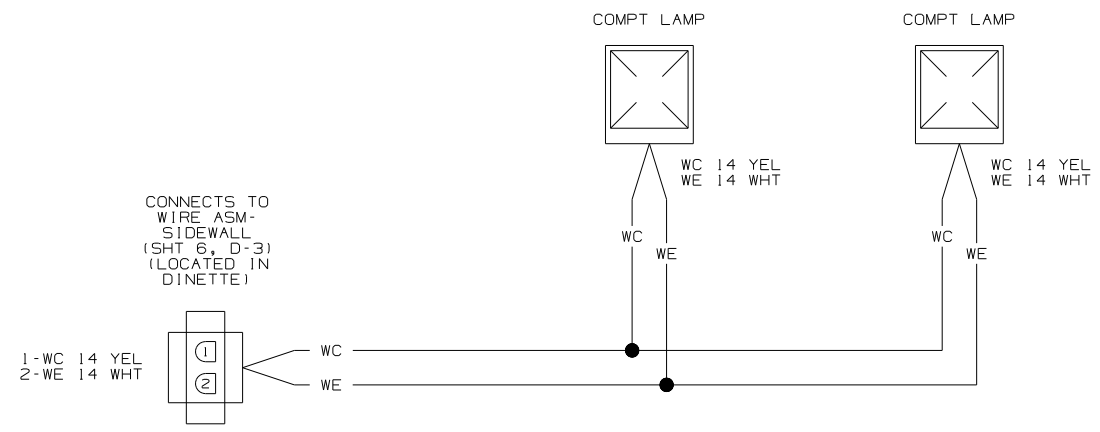


WIRING DIAGRAM-TV, FRONT (WIRE ASM 150155 REV-A)

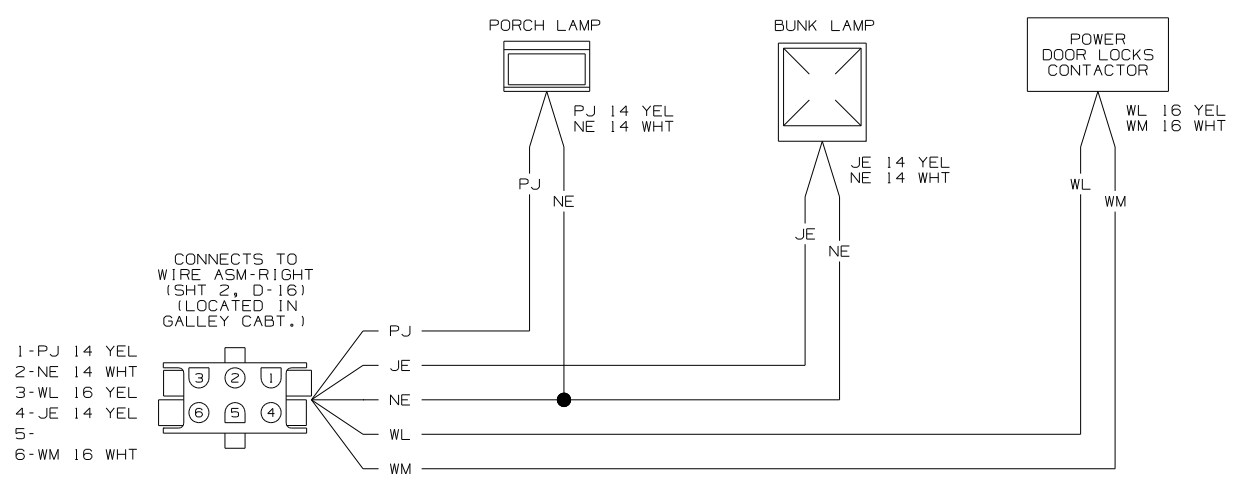
FIRST USED	05 430V
DO NOT SCALE DRAWING	
TITLE	WIRING DIAGRAM-BODY 12V
SHEET 4	PART NO 148956



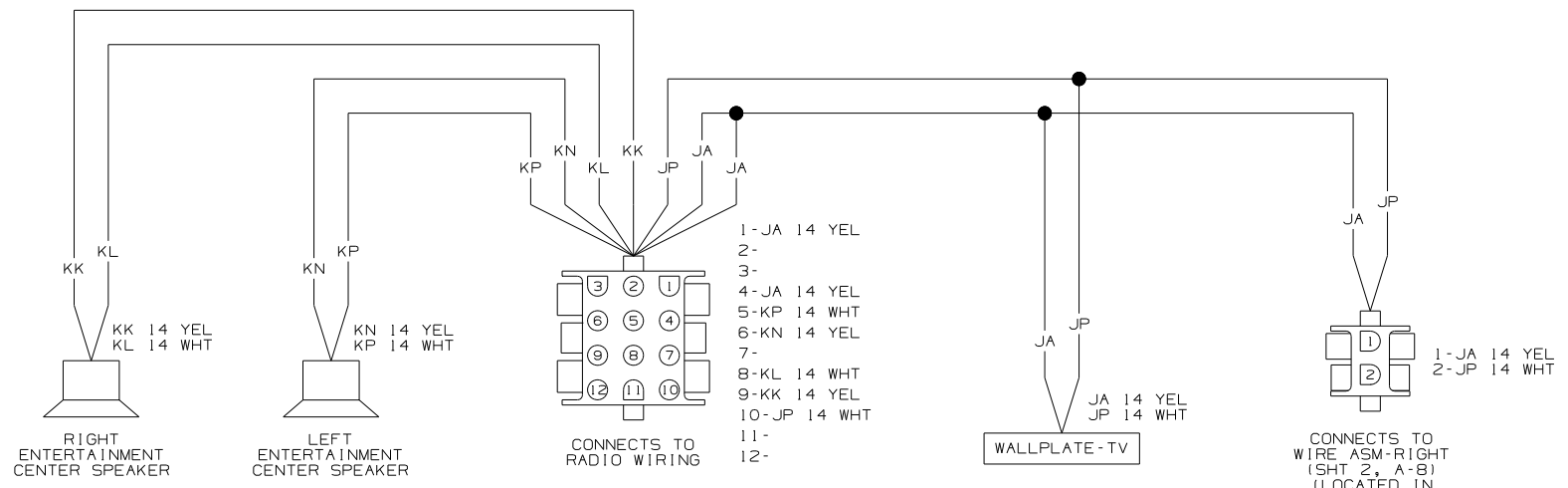
WIRING DIAGRAM-OVHD, REAR (WIRE ASM 127873-03 REV-E)



WIRING DIAGRAM-COMPARTMENT LAMPS (WIRE ASM 125266-05 REV-P)

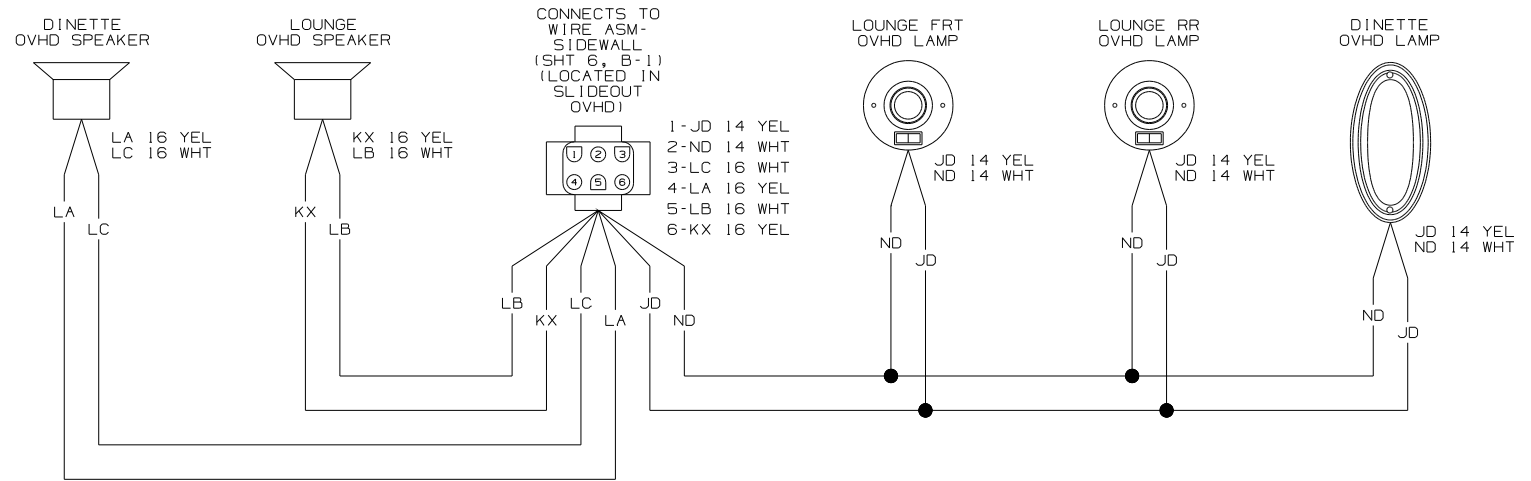


WIRING DIAGRAM-SIDEWALL, RIGHT (WIRE ASM 139594-02 REV-F)

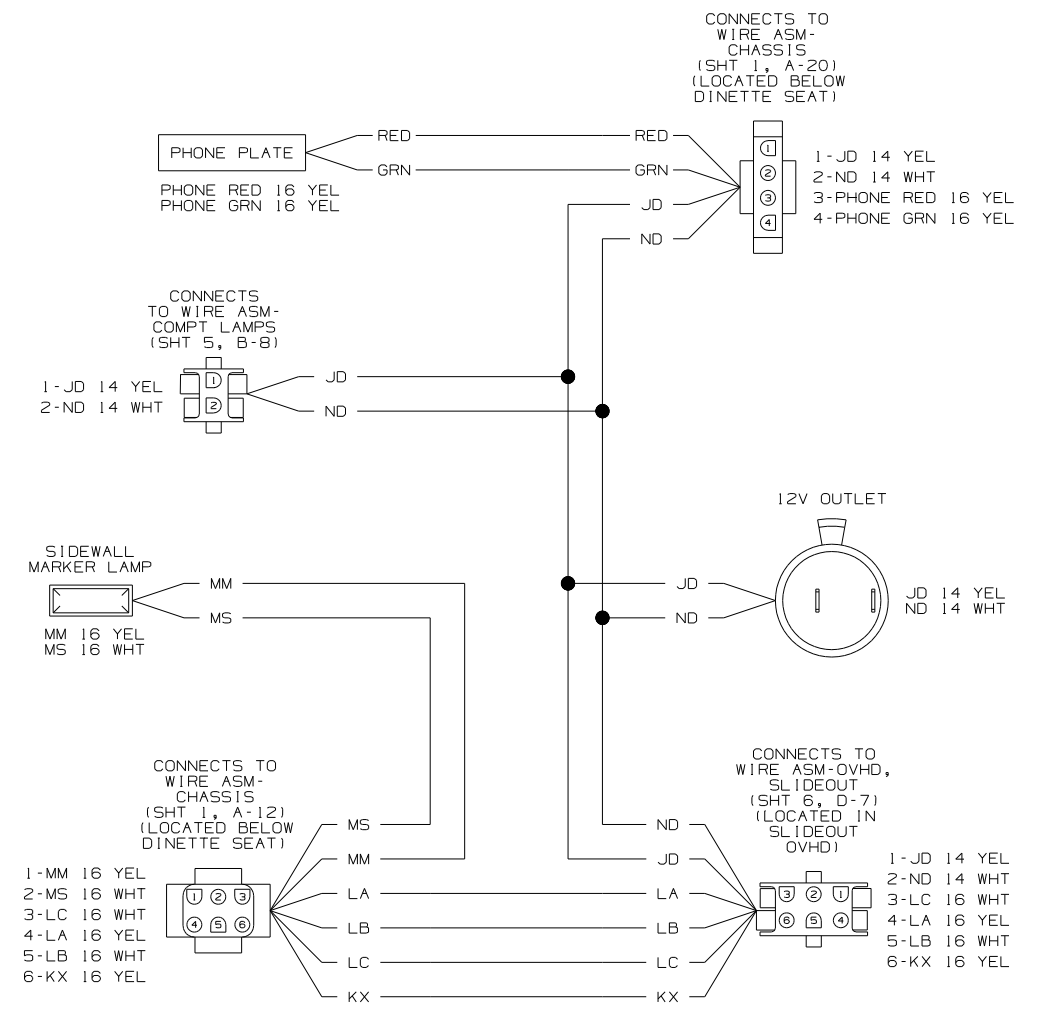


WIRING DIAGRAM-ENTERTAINMENT CTR (WIRE ASM 125853-04 REV-L)

FIRST USED	05 431C
TITLE	DO NOT SCALE DRAWING
	WIRING DIAGRAM-BODY, 12V
SHEET 5	PART NO 149989



WIRING DIAGRAM-OVHD,SLIDEOUT (WIRE ASM 150145 REV-A)



WIRING DIAGRAM-SIDEWALL (WIRE ASM 150191 REV-A)

FIRST USED	05 431C
TITLE	DO NOT SCALE DRAWING
	WIRING DIAGRAM-BODY, 12V
SHEET 6	PART NO 149989