



DANGER

Danger of electrical shock, burns or death. Always remove all power sources before attempting any repair, service or diagnostic work. Power can be present from shore power, generator, inverter or battery. All power sources must be disabled and secured before performing any service.

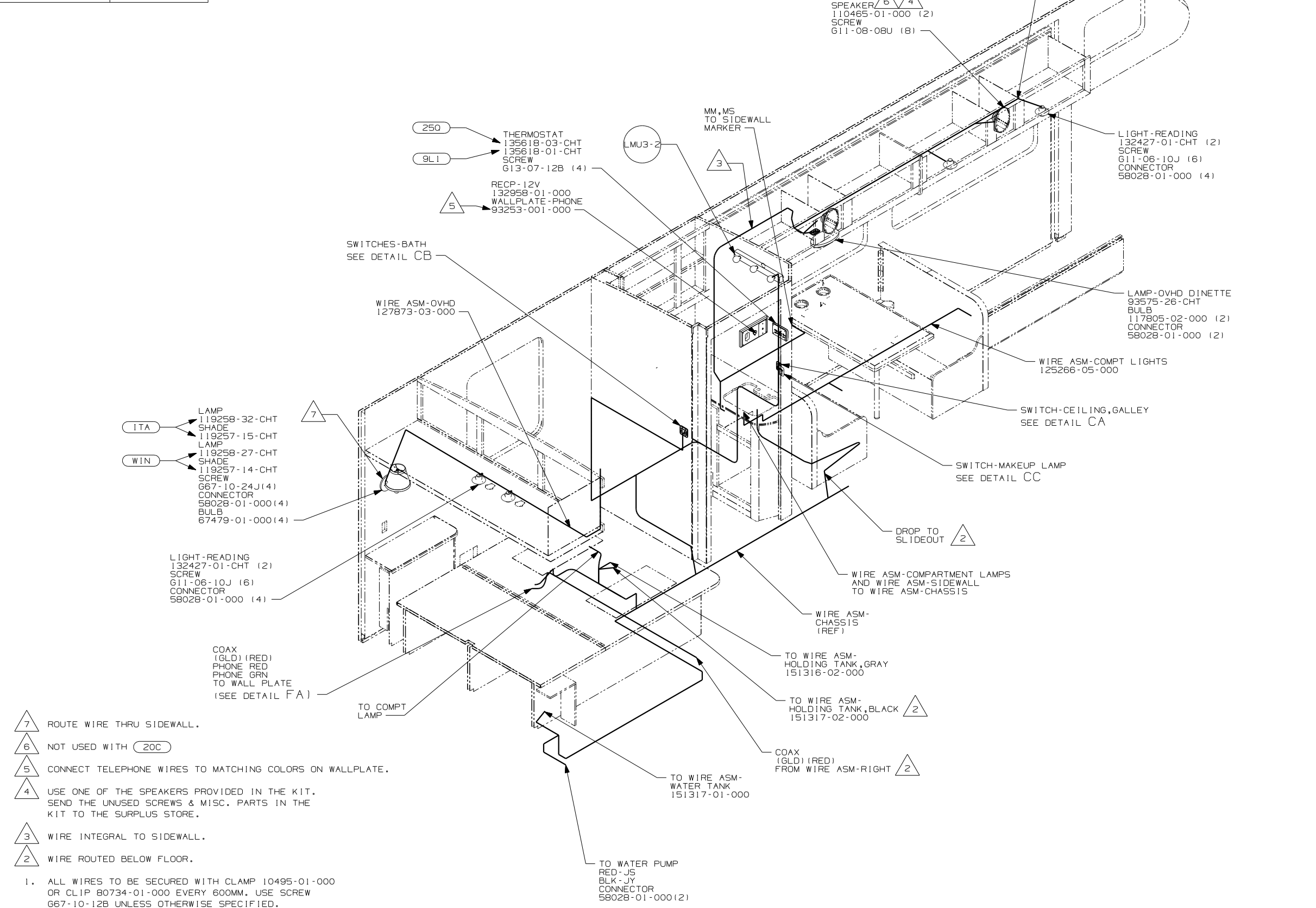


CAUTION

If you lack the skills, tools or equipment to perform diagnostic or repair work leave such work to an authorized Winnebago Industries dealer or other qualified shop.

DRAWING NO.	FEATURE
149986-01	(WIN)
149986-02	(ITA)

RELEASE	REV DATE	DWG NO	149986
REV ZONE	REVISION RECORD	DATE	DFTR-016



- 7 ROUTE WIRE THRU SIDEWALL.
- 6 NOT USED WITH (20C)
- 5 CONNECT TELEPHONE WIRES TO MATCHING COLORS ON WALLPLATE.
- 4 USE ONE OF THE SPEAKERS PROVIDED IN THE KIT. SEND THE UNUSED SCREWS & MISC. PARTS IN THE KIT TO THE SURPLUS STORE.
- 3 WIRE INTEGRAL TO SIDEWALL.
- 2 WIRE ROUTED BELOW FLOOR.

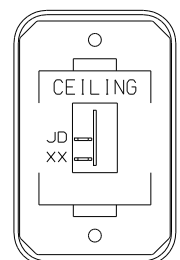
1. ALL WIRES TO BE SECURED WITH CLAMP 10495-01-000 OR CLIP 80734-01-000 EVERY 600MM. USE SCREW 667-10-12B UNLESS OTHERWISE SPECIFIED.

NOTES:

- (ITA) ITASCA ONLY
- (WIN) WINNEBAGO ONLY
- (20C) SOUND SYS. DLX. W/O-SURROUND
- (9L1) HOME COMFORT PLUS PACKAGE
- (250) A/C ROOF AIR (1) 14,800 BTU

WINNEBAGO		COPYRIGHT 2004 WINNEBAGO INDUSTRIES, INC.	
DFTR	ORIG. DATE	ALL DIMENSIONS ARE IN MILLIMETERS	
CHKR		05 431C	
P.E.			
M.E.	FIRST USED		
DSNR			
UNSPECIFIED TOLERANCES ARE:		MATERIAL:	
WHOLE DIM (X)	:		
ONE-PLACE (X.X)	:		
TWO-PLACE (X.XX)	:		
ANGLE	:		
THIRD ANGLE PROJECTION			
DO NOT SCALE DRAWING			
TITLE: WIRING INSTL-BODY, 12V			
SHEET 1 of 5	PART NO	149986	
REF: 146025-HI 7/13/2004			

WARNING UNDERSTAND OPERATOR'S MANUAL BEFORE USING
KEEP PEOPLE AND OBSTRUCTIONS CLEAR OF
SLIDEOUT ROOM WHEN OPERATING TO AVOID
INJURY AND/OR PROPERTY DAMAGE



SWITCH-ROCKER
135740-01-CHT
SWITCH-BASE
135741-01-CHT
SWITCH-BEZEL
135742-07-CHT
SCREW
G11-08-08U (2)

DETAIL CA

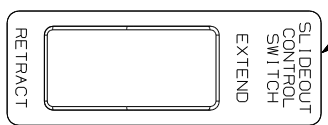


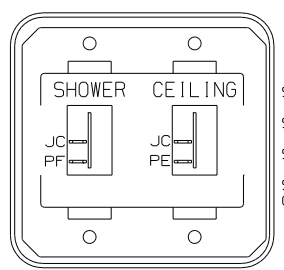
PLATE-SWITCH
144363-10-CHT
SWITCH
108357-06-CHT
ACTUATOR
108356-02-CHT
NUT
D65-08-00B (2)
LABEL
116220-01-000

DETAIL CE



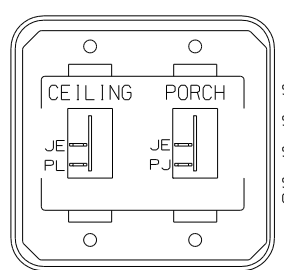
SWITCH-BATTERY,DISC
108357-06-000
ACTUATOR-SWITCH
108356-11-CHT

DETAIL CH
(FRONT SIDE)



SWITCH-ROCKER
135740-01-CHT (2)
SWITCH-BASE
135741-02-CHT
SWITCH-BEZEL
135742-15-CHT
SCREW
G11-08-08U (4)

DETAIL CB



SWITCH-ROCKER
135740-01-CHT (2)
SWITCH-BASE
135741-02-CHT
SWITCH-BEZEL
135742-19-CHT
SCREW
G11-08-08U (4)

DETAIL CF

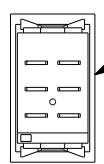
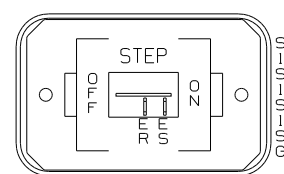


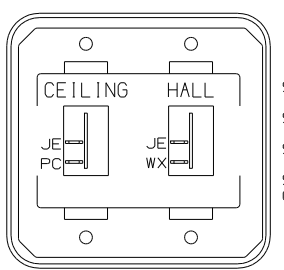
PLATE-SWITCH
98351-07-CHT
SCREW
G11-06-10U (6)

DETAIL CH
(BACK SIDE)



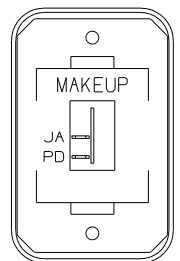
SWITCH-ROCKER
135740-01-CHT
SWITCH-BASE
135741-01-CHT
SWITCH-BEZEL
135742-11-CHT
SCREW
G11-08-08U (2)

DETAIL CF



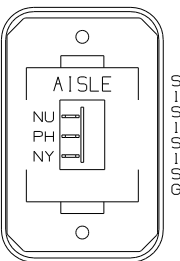
SWITCH-ROCKER
135740-01-CHT (2)
SWITCH-BASE
135741-02-CHT
SWITCH-BEZEL
135742-16-CHT
SCREW
G11-08-08U (4)

DETAIL CJ



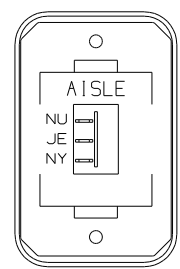
SWITCH-ROCKER
135740-01-CHT
SWITCH-BASE
135741-01-CHT
SWITCH-BEZEL
135742-08-CHT
SCREW
G11-08-08U (2)

DETAIL CC



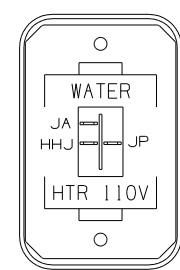
SWITCH-ROCKER
135740-02-CHT
SWITCH-BASE
135741-01-CHT
SWITCH-BEZEL
135742-06-CHT
SCREW
G11-08-08U (2)

DETAIL CG



SWITCH-ROCKER
135740-02-CHT
SWITCH-BASE
135741-01-CHT
SWITCH-BEZEL
135742-06-CHT
SCREW
G11-08-08U (2)

DETAIL CJ



SWITCH-ROCKER
135740-06-CHT
SWITCH-BASE
135741-01-CHT
SWITCH-BEZEL
135742-35-CHT
SCREW
G11-08-08U (2)

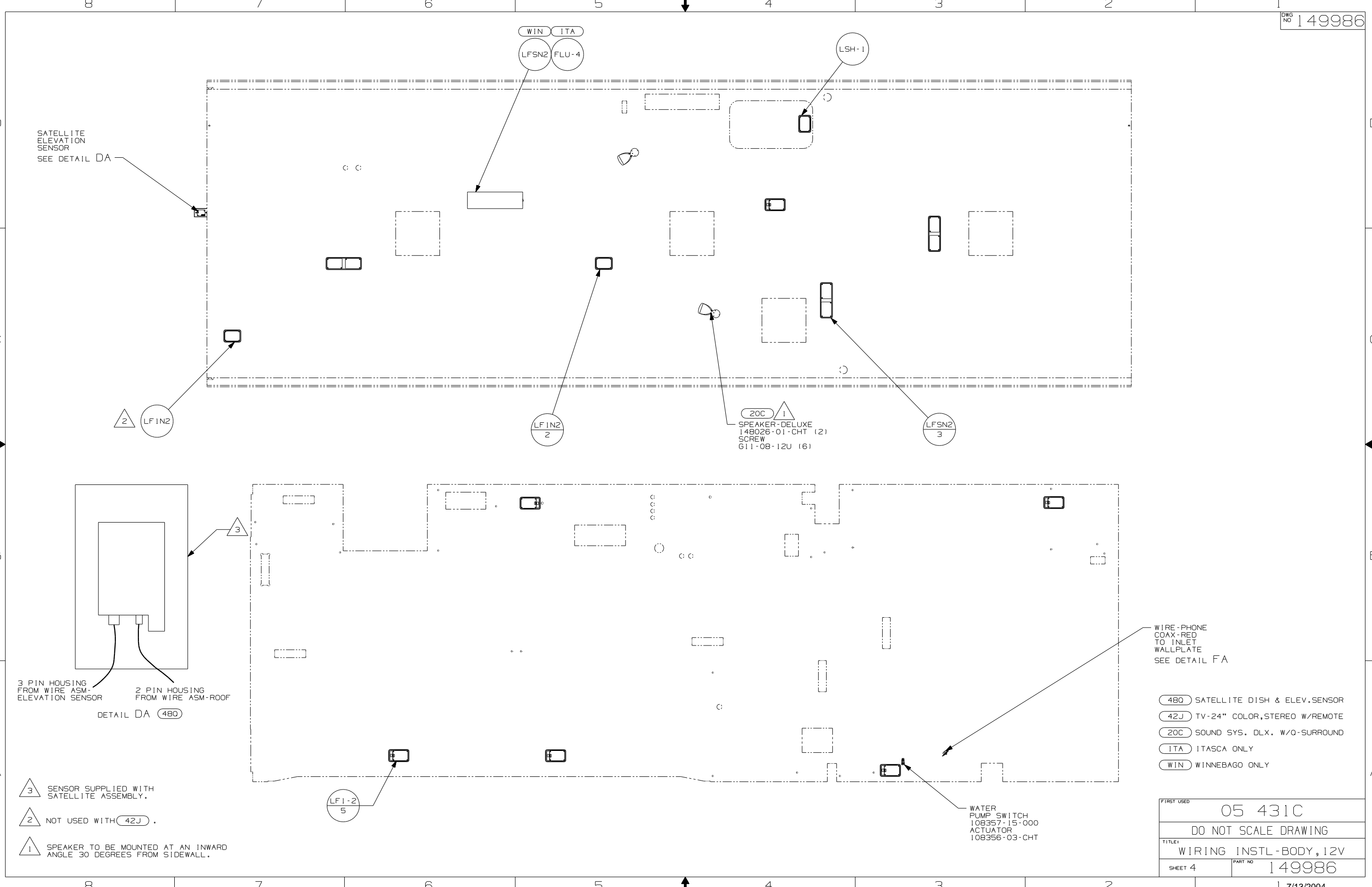
DETAIL CD

53D

- 53D WTR HTR-66AL/ELE/LP/MOTORAID
- ID5 ENTERTAINMENT CENTR/EXT W/CD
- 480 SATELLITE DISH & ELEV.SENSOR

FIRST USED	05 431C
TITLE	DO NOT SCALE DRAWING
TITLE	WIRING INSTL -BODY, 12V
SHEET 3	PART NO 149986

NOTES:



SATELLITE ELEVATION SENSOR
SEE DETAIL DA

WIN ITA
LFSN2 FLU-4

LSH-1

2 LFIN2

LFIN2
2

20C 1
SPEAKER-DELUXE
148026-01-CHT (2)
SCREW
611-08-12U (6)

LFSN2
3

3 PIN HOUSING
FROM WIRE ASM-
ELEVATION SENSOR
2 PIN HOUSING
FROM WIRE ASM-ROOF
DETAIL DA (480)

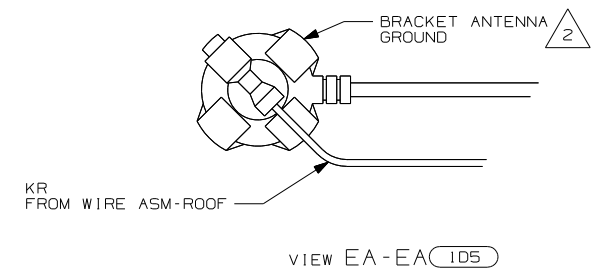
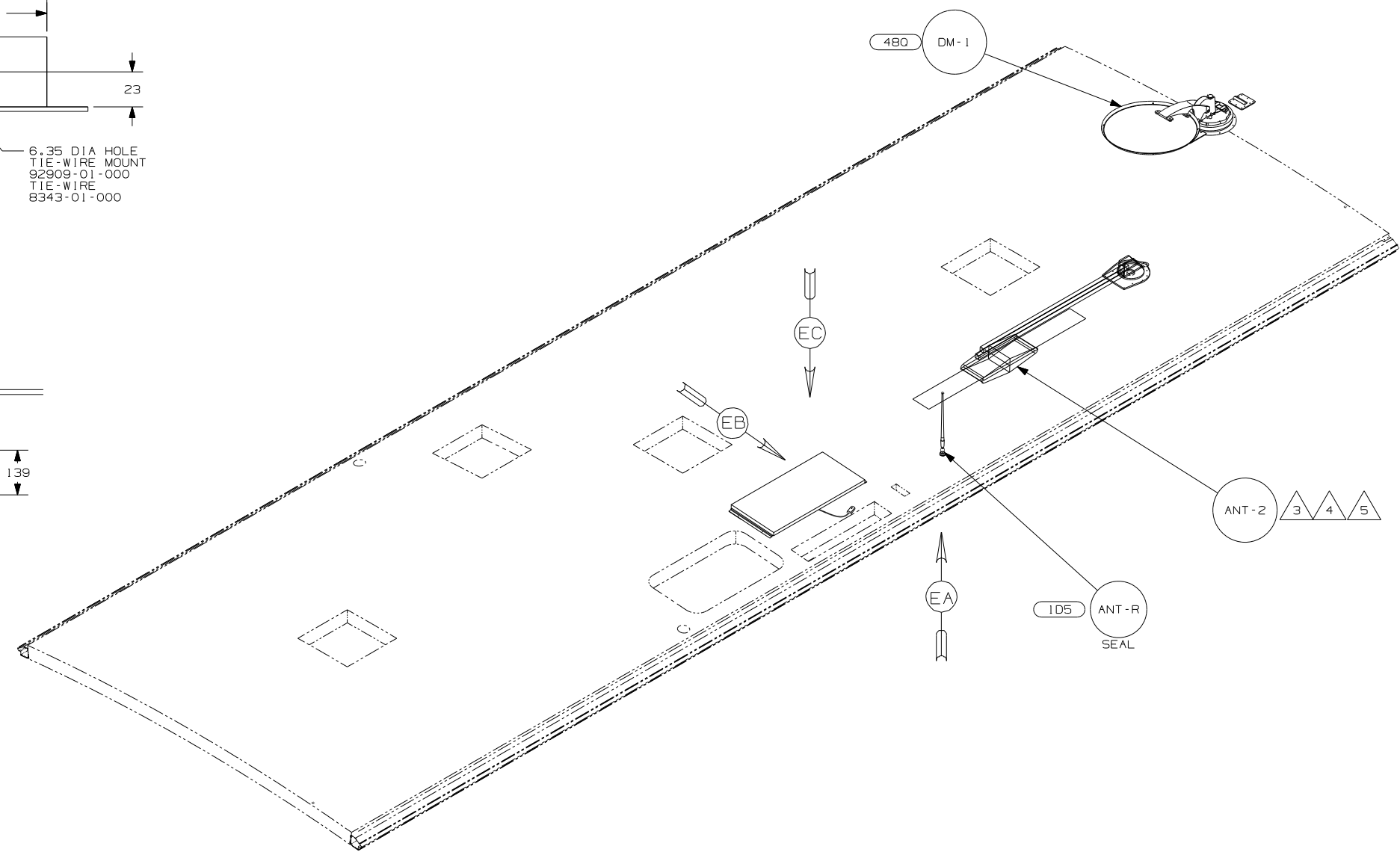
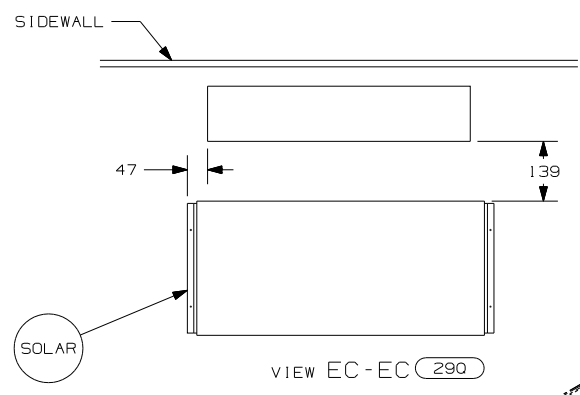
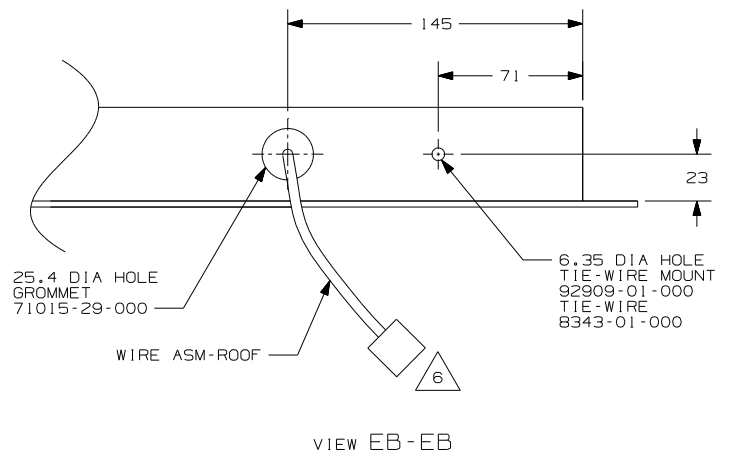
WIRE-PHONE
COAX-RED
TO INLET
WALLPLATE
SEE DETAIL FA

- (480) SATELLITE DISH & ELEV.SENSOR
- (42J) TV-24" COLOR,STEREO W/REMOTE
- (20C) SOUND SYS. DLX. W/O-SURROUND
- (ITA) ITASCA ONLY
- (WIN) WINNEBAGO ONLY

- 3 SENSOR SUPPLIED WITH SATELLITE ASSEMBLY.
- 2 NOT USED WITH (42J).
- 1 SPEAKER TO BE MOUNTED AT AN INWARD ANGLE 30 DEGREES FROM SIDEWALL.

WATER
PUMP SWITCH
108357-15-000
ACTUATOR
108356-03-CHT

FIRST USED	05 431C
DO NOT SCALE DRAWING	
TITLE:	WIRING INSTL-BODY,12V
SHEET 4	PART NO 149986



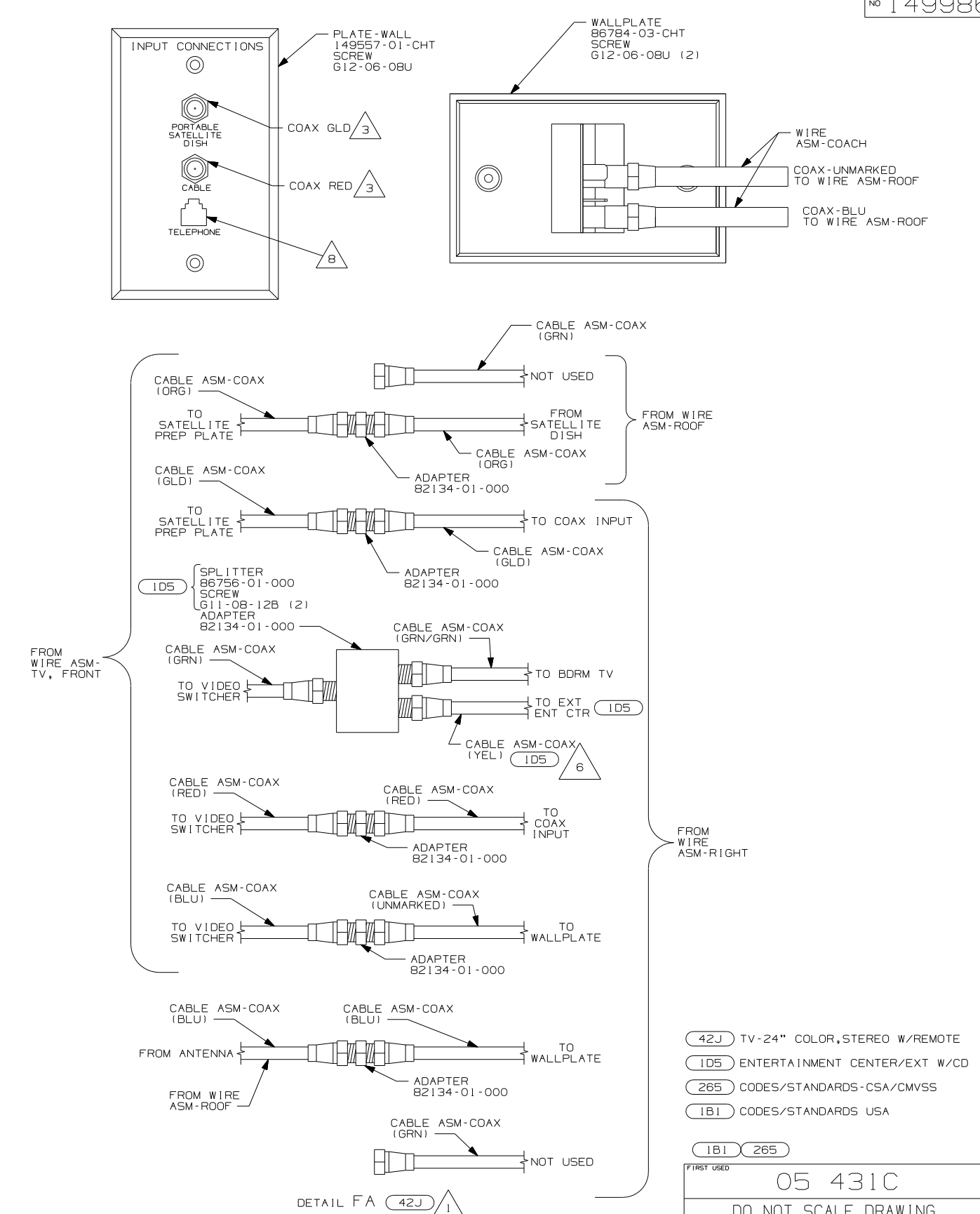
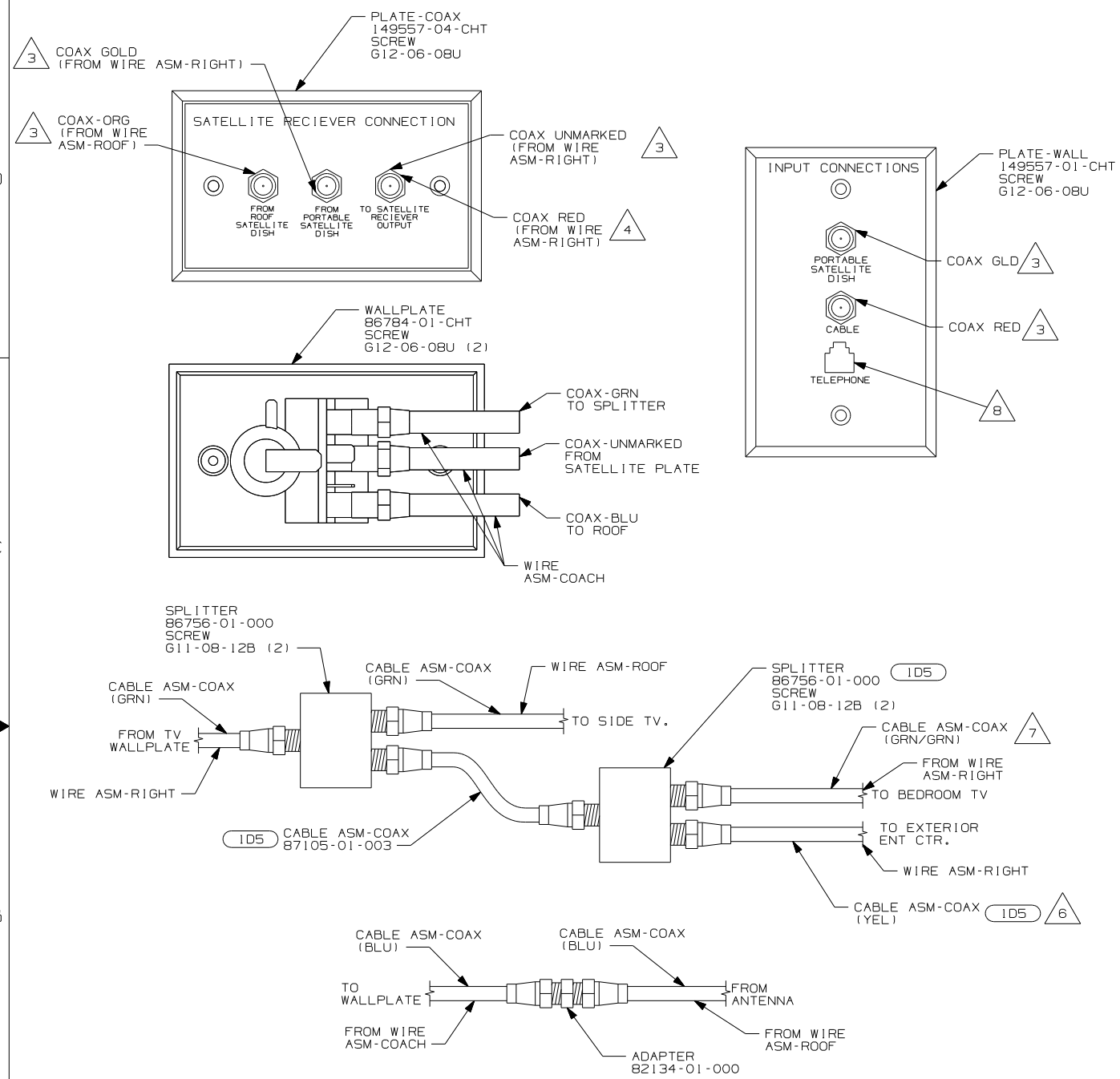
- 6 FASTEN TO VENT.
- 5 ADD RUBBER BUMPER TO ROOF UNDER EACH END OF ANTENNA IN DOWN POSITION WHICH MAY COME INTO CONTACT WITH ROOF SURFACE.
- 4 LOCATE CLAMP TO RETAIN CABLE BUT NOT TO RESTRICT ANTENNA TRAVEL.
- 3 SEE DRAWING 76319-01-000 FOR INSTALLATION OF TV ANTENNA.
- 2 WRAP BRACKET LEGS AROUND ANTENNA BASE.

1. CONNECTOR-PLUG, TRAILER 113589-01-000 TO BE SUPPLIED LOOSE IN COACH WITH TRAILER TOW PACKAGE.

NOTES:

- 290 SOLAR PANEL - 10 WATT
- ID5 ENTERTAINMENT CENTR/EXT W/CD
- 480 SATELLITE DISH & ELEV.SENSOR

FIRST USED	05 431C
DO NOT SCALE DRAWING	
TITLE:	WIRING INSTL - BODY, 12V
SHEET 5	PART NO 149986



- NOTES:
- 8 CONNECT TELEPHONE WIRES TO MATCHING COLORS ON PLATE-WALL.
 - 7 COAX IS CONNECTED TO FIRST SPLITTER WITHOUT (ID5).
 - 6 COAX NOT USED WITHOUT (ID5).
 - 5 WITH SIDE ENTERRAINMENT CENTER, SEE WIRING INSTL-TV/VCR, SIDE FOR ADDITIONAL INFORMATION.
 - 4 CONNECT COAX TO FRONT SIDE OF WALLPLATE.
 - 3 CONNECT COAX TO BACKSIDE OF WALLPLATE.
 - 2 WITHOUT (42J).
 - 1 WITH FRONT ENTERRAINMENT CENTER, SEE WIRING INSTL-TV/VCR, FRONT FOR ADDITIONAL INFORMATION.

(42J)	TV-24" COLOR, STEREO W/REMOTE
(ID5)	ENTERTAINMENT CENTER/EXT W/CD
(265)	CODES/STANDARDS-CSA/CMVSS
(IB1)	CODES/STANDARDS USA
(IB1) (265)	
FIRST USED	05 431C
TITLE:	DO NOT SCALE DRAWING
	WIRING INSTL-BODY, 12V
SHEET 6	PART NO 149986