



DANGER

Danger of electrical shock, burns or death. Always remove all power sources before attempting any repair, service or diagnostic work. Power can be present from shore power, generator, inverter or battery. All power sources must be disabled and secured before performing any service.

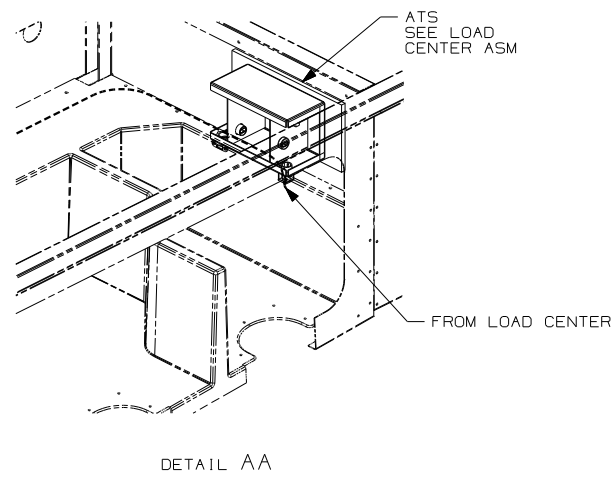


CAUTION

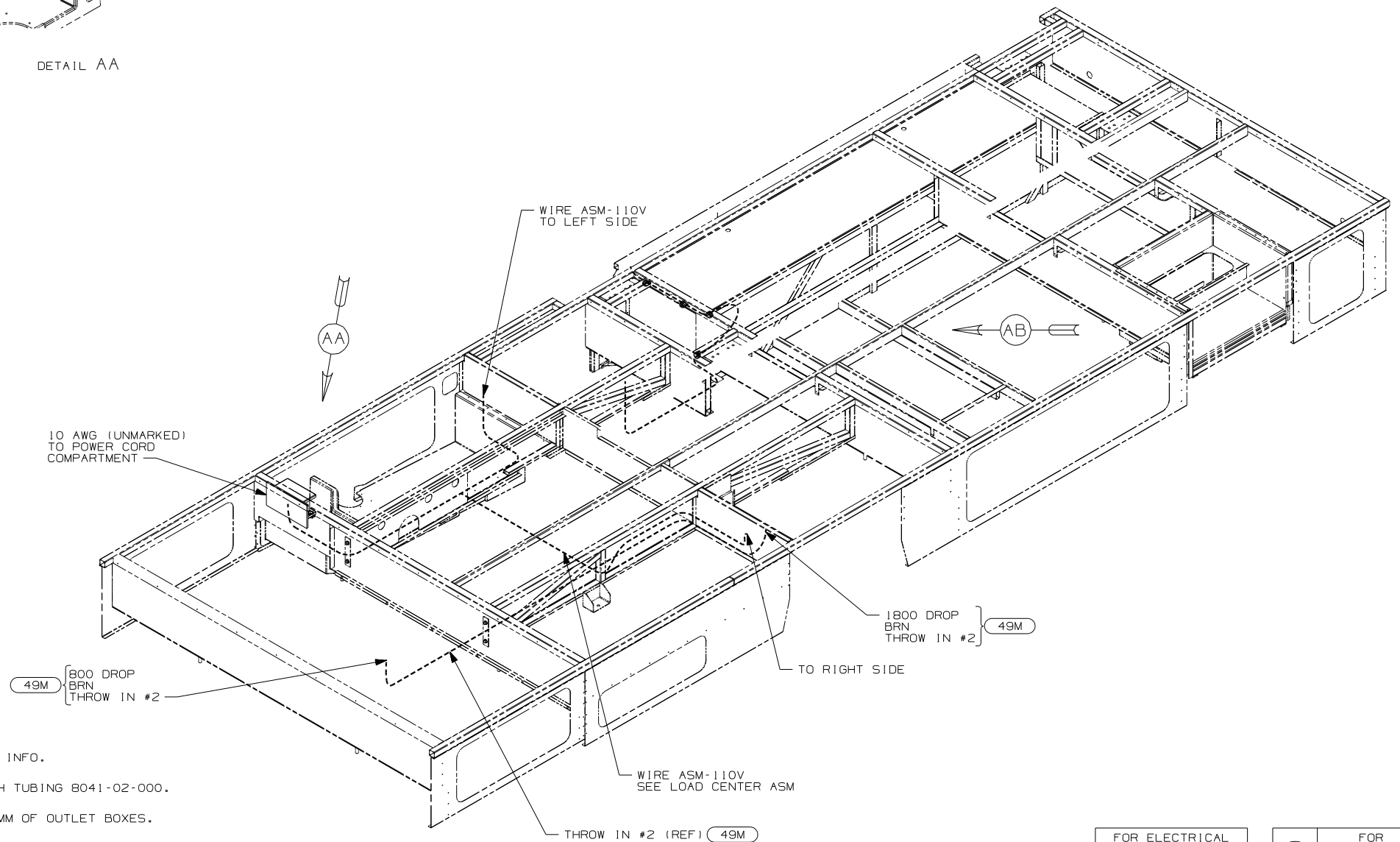
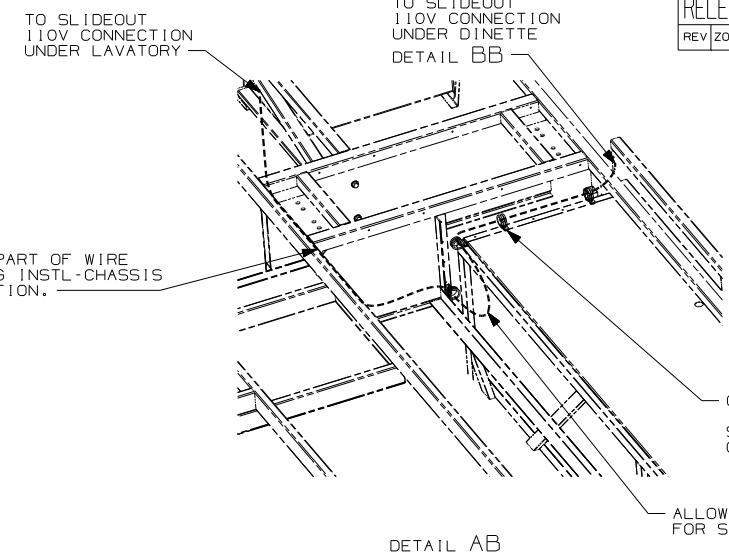
If you lack the skills, tools or equipment to perform diagnostic or repair work leave such work to an authorized Winnebago Industries dealer or other qualified shop.

DRAWING NO.	FEATURE
149985-01	-----
149985-11	(1B1) (12D)
149985-15	(265) (12D)

RELEASE	REV/DATE	DWG NO
	A	149985
REV ZONE	REVISION RECORD	DATE
		DFTR-0016



110V SLIDEOUT WIRE IS PART OF WIRE ASM-CHASSIS. SEE WIRING INSTL-CHASSIS FOR ADDITIONAL INFORMATION.



- (49M) SLEEP NUMBER BED-QUEEN SIZE
- (12D) ELECTRICAL SYSTEM 30 AMP
- (265) CODES/STANDARDS-CSA/CMVSS
- (1B1) CODES/STANDARDS-USA

WINNEBAGO INDUSTRIES, INC. COPYRIGHT 2004

DFTR	ORIG. DATE
CHKR	ALL DIMENSIONS ARE IN MILLIMETERS
P.E.	
M.E.	FIRST USED
DSNR	05 431C
UNSPECIFIED TOLERANCES ARE:	MATERIAL:
HOLE DIM (X)	:
ONE-PLACE (X.X)	:
TWO-PLACE (X.XX)	:
ANGLE	:
THIRD ANGLE PROJECTION	

- 4 SEE GENERATOR INSTL FOR ADDITIONAL INFO.
3. ALL GROUND WIRES TO BE COVERED WITH TUBING 8041-02-000.
 2. ALL WIRES TO BE SECURED WITHIN 200MM OF OUTLET BOXES.
 1. ALL WIRES TO BE SECURED WITH CLAMP 10495-01-000 OR CLIP 80734-01-000 EVERY 600MM. USE SCREW 667-10-12B UNLESS OTHER WISE SPECIFIED.

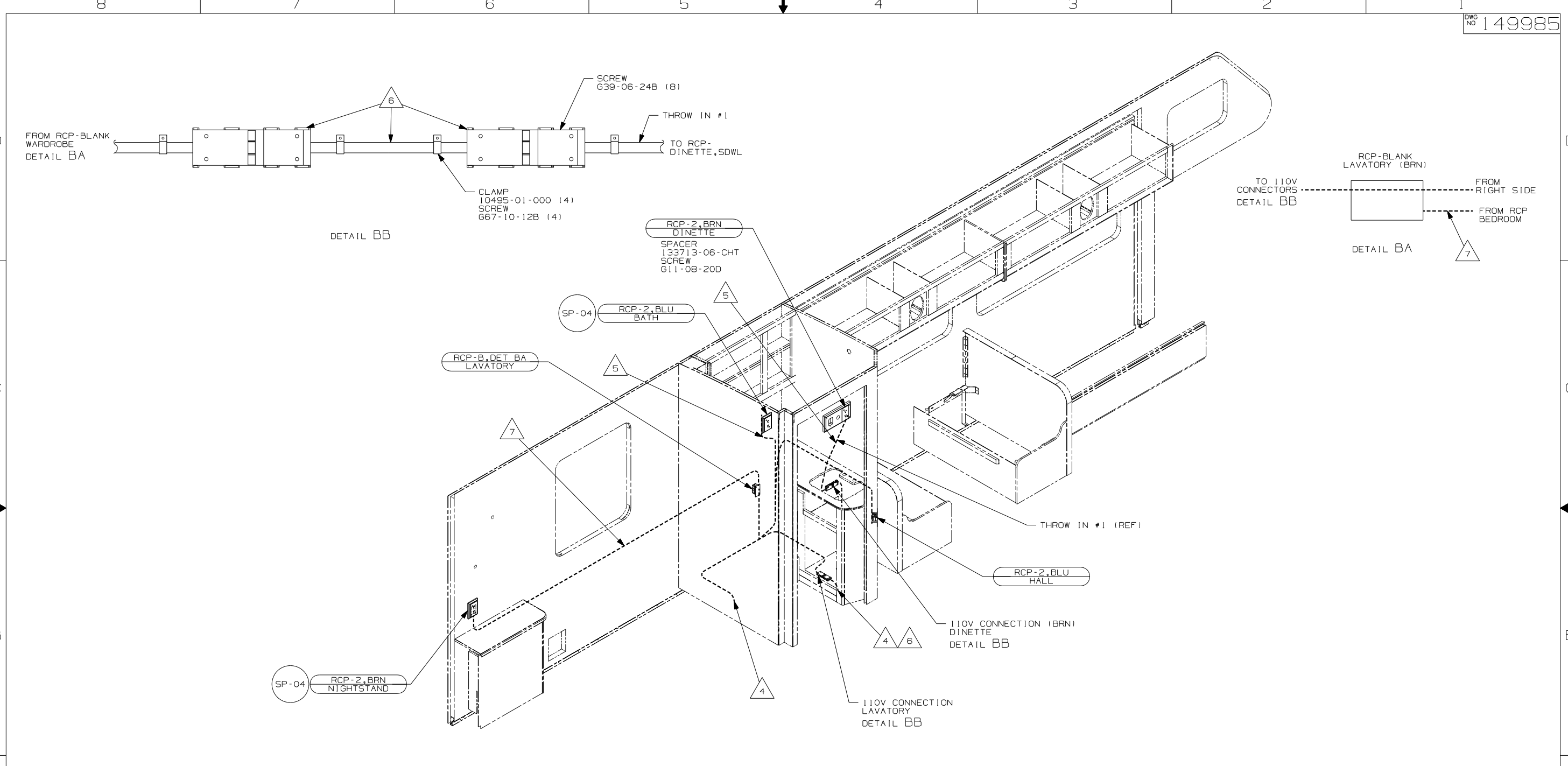
FOR ELECTRICAL TORQUE SPECIFICATIONS SEE DWG NO. 128783-01-000

(X-X) FOR ELECTRICAL CALLOUTS SEE DWG NO. 121339-01-000

DO NOT SCALE DRAWING

TITLE: WIRING INSTL-BODY, 110V

SHEET 1 OF 3 PART NO 149985



- 7 WIRE ROUTED IN SIDEWALL.
- 6 FLEX CORD & 110V CONNECTORS ARE PART OF WIRE ASM-CHASSIS.
- 5 ROUTE WIRE THRU SIDEWALL.
- 4 WIRES ROUTED UNDER FLOOR.

3. ALL GROUND WIRES TO BE COVERED WITH TUBING 8041-02-000.
2. ALL WIRES TO BE SECURED WITHIN 200MM OF OUTLET BOXES.
1. ALL WIRES TO BE SECURED WITH CLAMP 10495-01-000 OR CLIP 80734-01-000 EVERY 600MM. USE SCREW G67-10-12B UNLESS OTHER WISE SPECIFIED.

NOTES:

- 12D ELECTRICAL SYSTEM 30 AMP
- 265 CODES/STANDARDS-CSA/CMVSS
- 1B1 CODES/STANDARDS-USA

FIRST USED	
05 431C	
DO NOT SCALE DRAWING	
TITLE:	
WIRING INSTL-BODY, 110V	
SHEET 2	PART NO
	149985

FOR ELECTRICAL TORQUE SPECIFICATIONS SEE DWG NO. 128783-01-000

FOR ELECTRICAL CALLOUTS SEE DWG NO. 121339-01-000



