



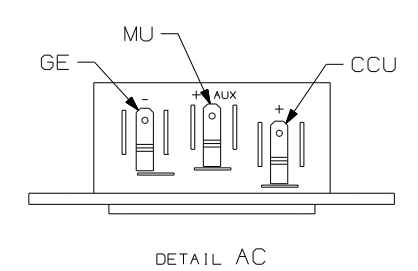
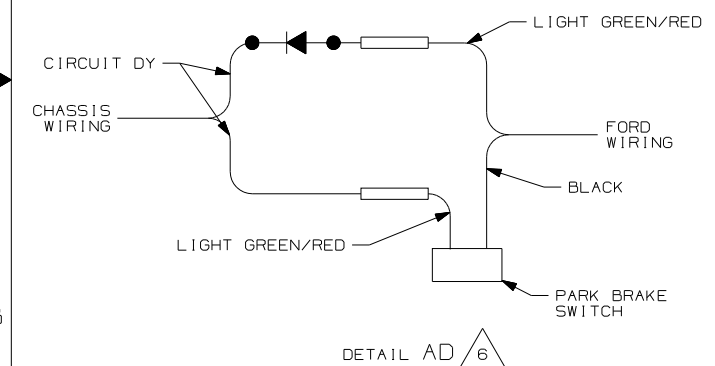
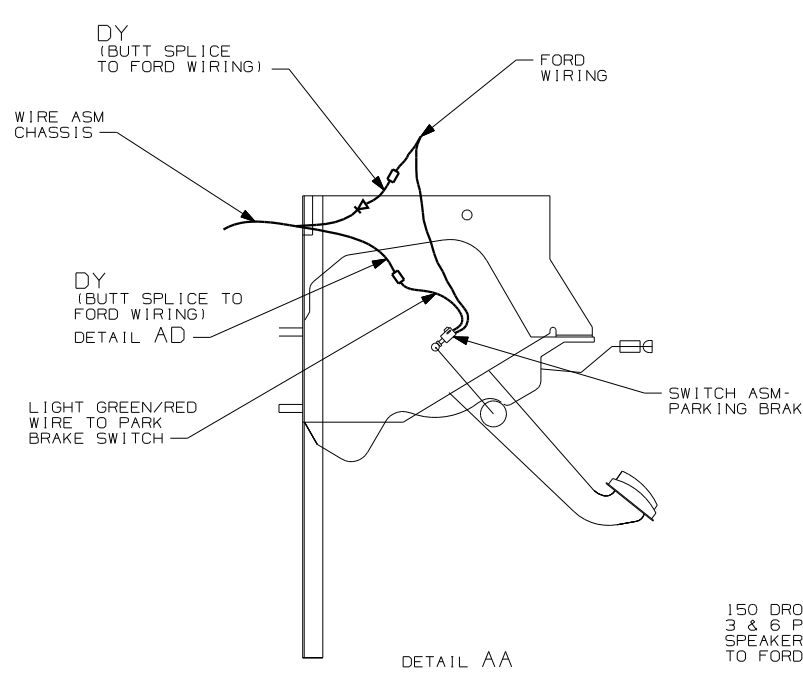
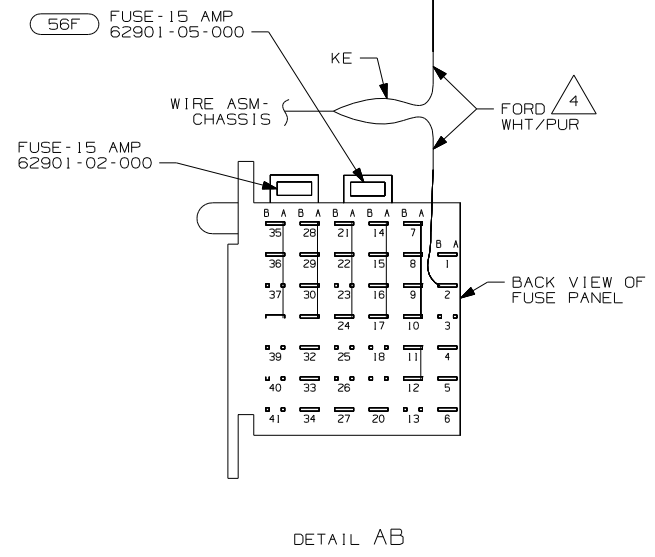
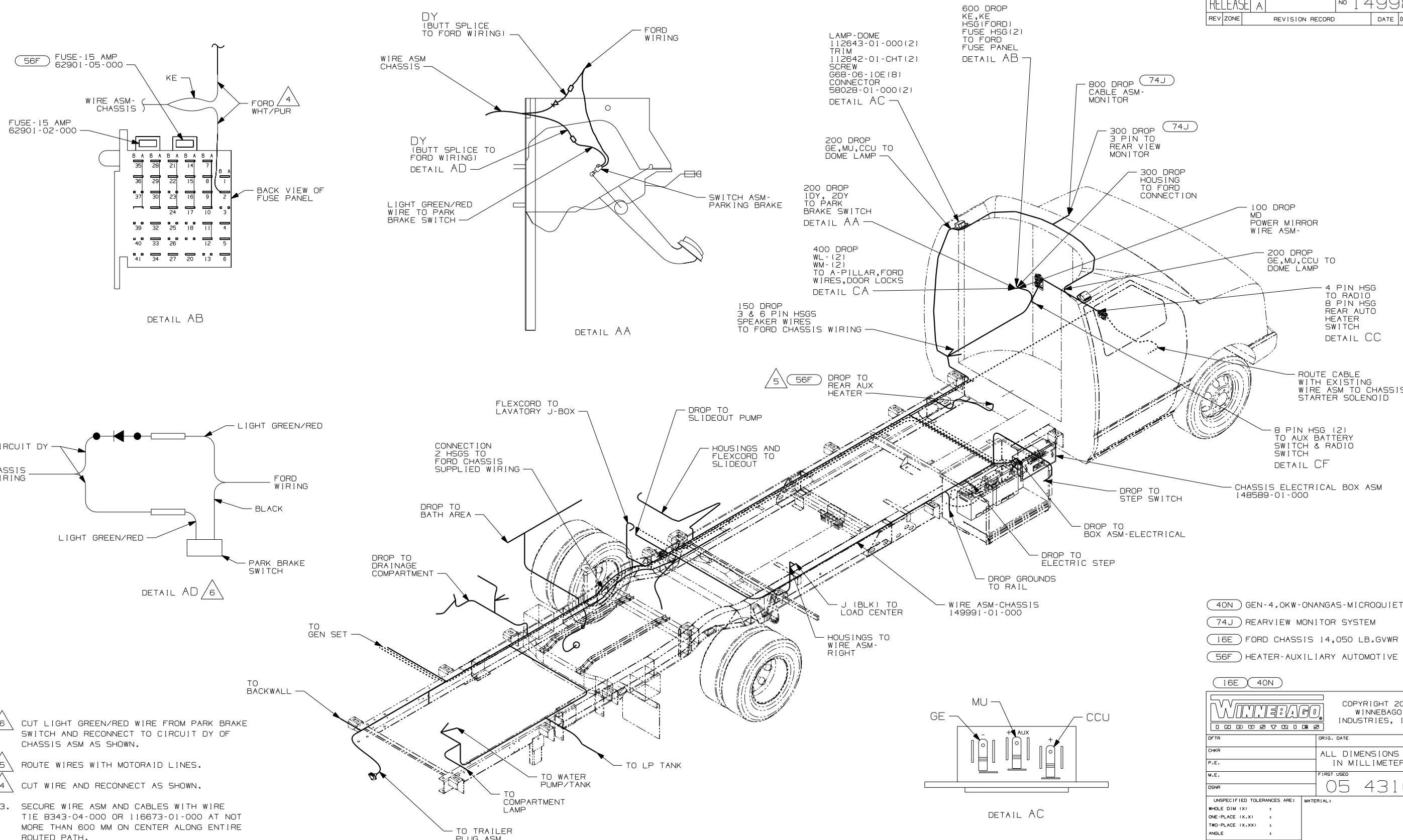
DANGER

Danger of electrical shock, burns or death. Always remove all power sources before attempting any repair, service or diagnostic work. Power can be present from shore power, generator, inverter or battery. All power sources must be disabled and secured before performing any service.



CAUTION

If you lack the skills, tools or equipment to perform diagnostic or repair work leave such work to an authorized Winnebago Industries dealer or other qualified shop.

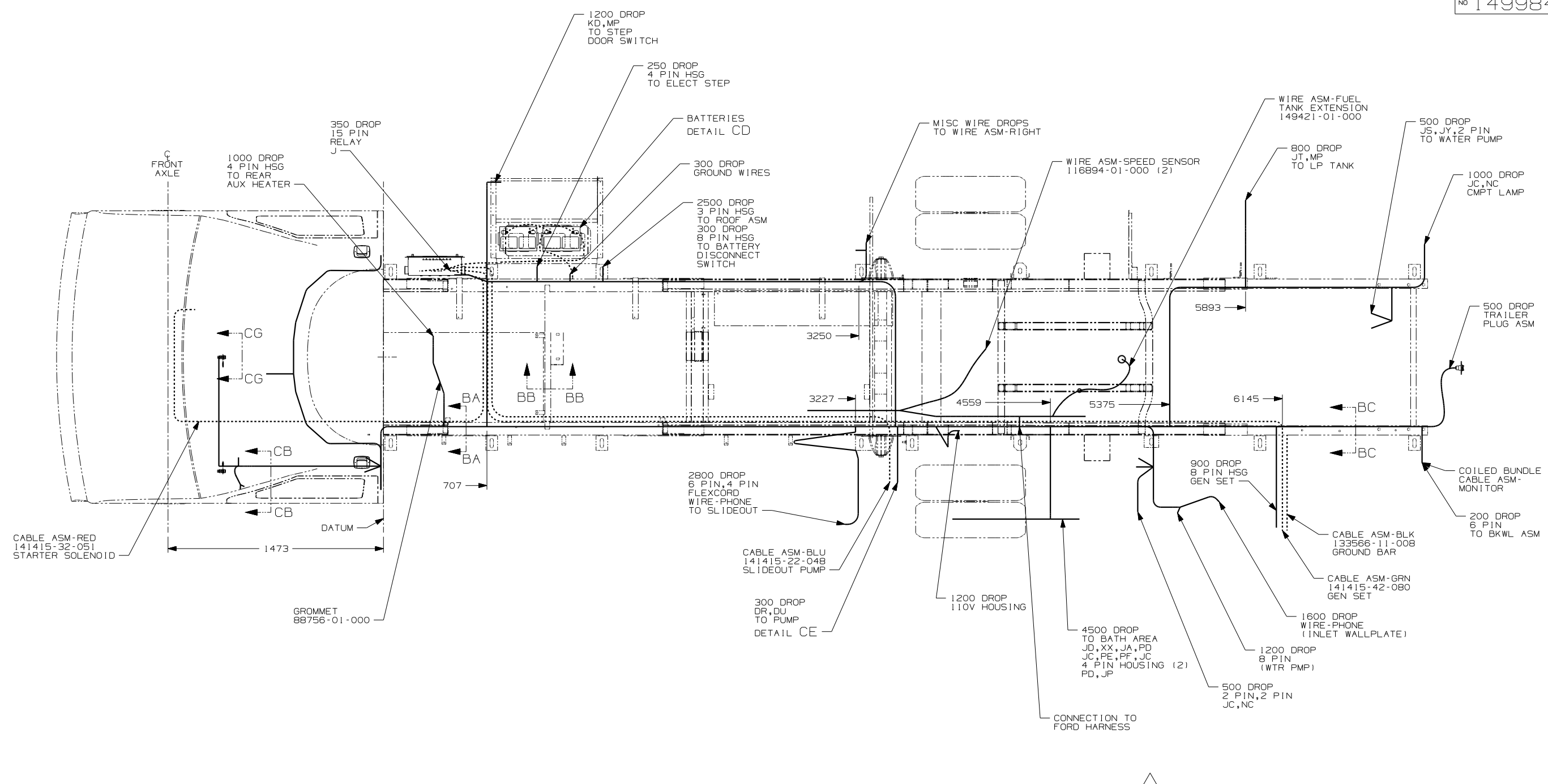


- (40N) GEN-4.0KW-ONANGAS-MICROQUIET
- (74J) REARVIEW MONITOR SYSTEM
- (16E) FORD CHASSIS 14,050 LB.GVWR
- (56F) HEATER-AUXILIARY AUTOMOTIVE

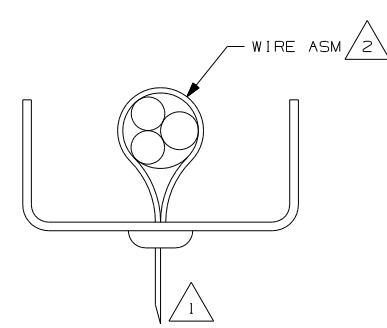
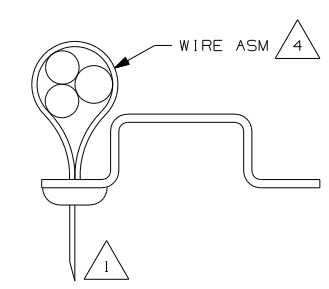
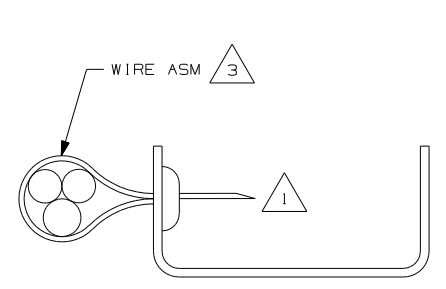
- NOTES:**
- LEGEND: _____ WINNEBAGO; CABLE; ----- CHASSIS SUPPLIED WIRING.
 - SECURE CONDUIT 41953, TAB AS REQUIRED, OVER ALL WIRES IN CONTACT WITH SHARP EDGES.
 - SECURE WIRE ASM AND CABLES WITH WIRE TIE B343-04-000 OR 116673-01-000 AT NOT MORE THAN 600 MM ON CENTER ALONG ENTIRE ROUTED PATH.

FOR ELECTRICAL TORQUE SPECIFICATIONS SEE DWG NO. 128783-01-000

| | | | |
|------------------------------------|------------|---|---|
| WINNEBAGO | | COPYRIGHT 2004 WINNEBAGO INDUSTRIES, INC. | |
| DFT | ORIG. DATE | ALL DIMENSIONS ARE IN MILLIMETERS | |
| CHKR | | FIRST USED 05 431C | |
| P.E. | | | |
| M.E. | | UNSPECIFIED TOLERANCES ARE: | |
| DSNR | | MATERIAL: | |
| | | WHOLE DIM (X) | : |
| | | ONE-PLACE (X.X) | : |
| | | TWO-PLACE (X.XX) | : |
| | | ANGLE | : |
| | | THIRD ANGLE PROJECTION | ⊕ |
| DO NOT SCALE DRAWING | | | |
| TITLE: WIRING INSTL-CHASSIS | | | |
| SHEET 1 of 3 | PART NO | 149984 | |

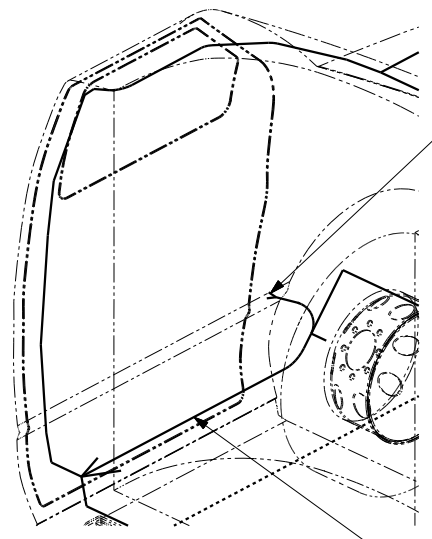


- NOTES:
- 4 WIRES TO BE TIED TO CROSS MEMBER USING EXISTING HOLES.
 - 3 WIRES TO BE TIED ON TOP OF RAIL USING EXISTING HOLES.
 - 2 WIRES TO BE TIED INSIDE RAIL USING EXISTING HOLES.
 - 1 CUT OFF EXCESS END OF WIRE TIE.



FOR ELECTRICAL TORQUE SPECIFICATIONS SEE DWG NO. 128783-01-000

| | |
|----------------------|----------------------|
| FIRST USED | 05 431C |
| DO NOT SCALE DRAWING | |
| TITLE: | WIRING INSTL-CHASSIS |
| SHEET 2 | PART NO 149984 |

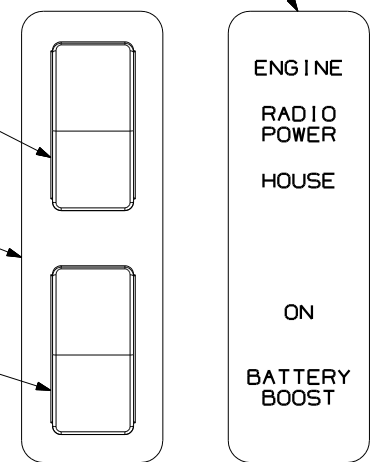


REMOVE A-PILLAR, LOWER COVER
ACCESS FORD CONNECTORS TO
DOOR ASM.
CONNECT WL TO PK/OR
CONNECT WM TO PK/BK
2 PLACES EACH
POWER DOOR LOCK ACTUATORS

DETAIL CA

WIRE ASM-CHASSIS
(REF)

LABEL-SWITCH
145731-01-000



ENGINE
RADIO
POWER
HOUSE

ON

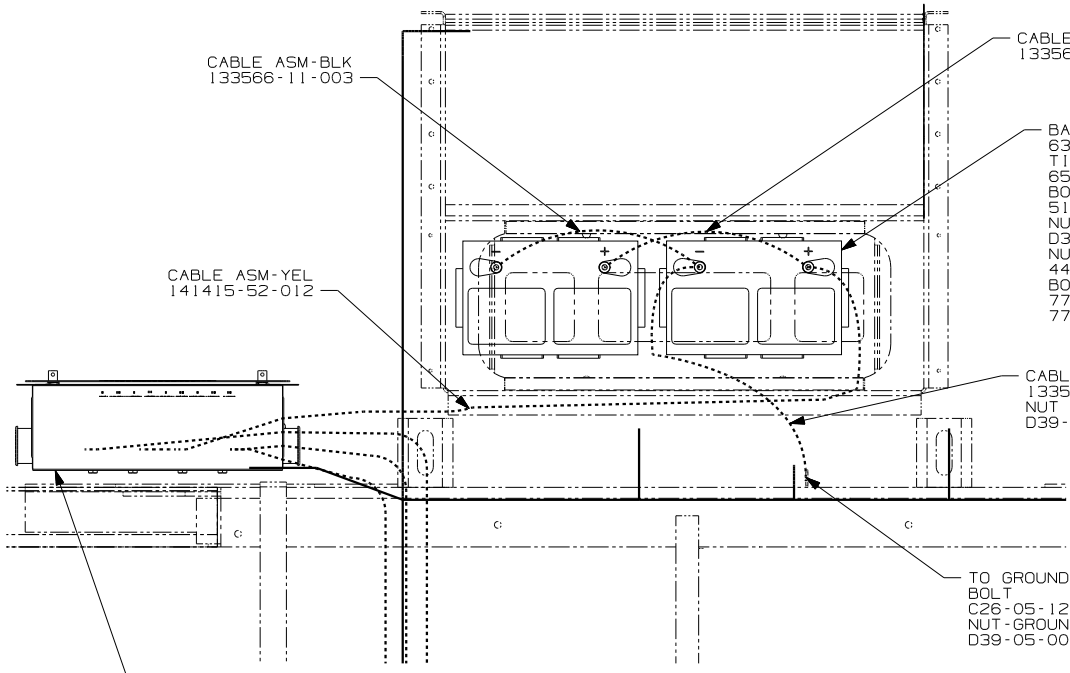
BATTERY
BOOST

SWITCH-RADIO
108357-08-000
ACTUATOR
108356-02-CHT

PLATE
144363-12-CHT
NUT
112722-01-CHT (2)

SWITCH-AUX START
108357-09-000
ACTUATOR
108356-02-CHT

DETAIL CF



CABLE ASM-BLK
133566-11-003

CABLE ASM-YEL
141415-52-012

CABLE ASM-RED
133566-01-003

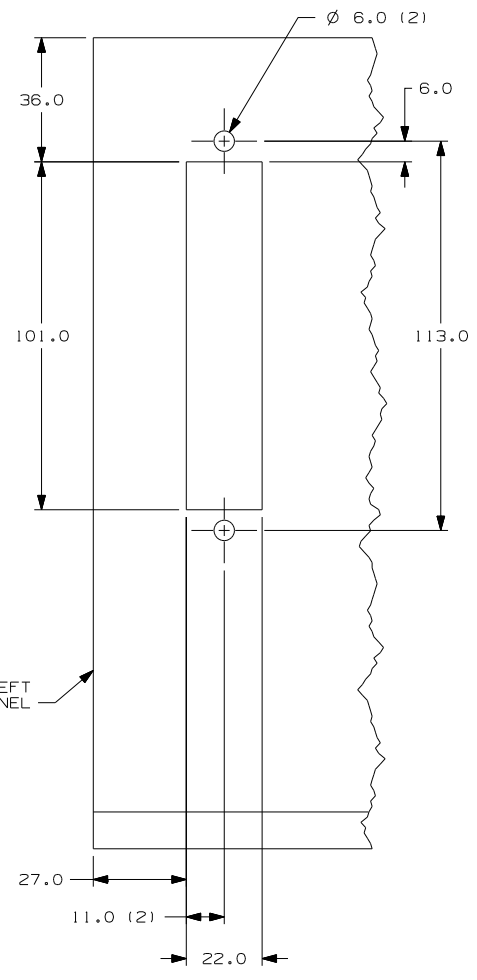
BATTERY
63739-01-000 (2)
TIEDOWN
65451-05-000 (2)
BOLT
51387-06-000 (4)
NUT
D39-05-00B (4)
NUT
44364-02-000 (4)
BOOT
77479-01-000
77479-02-000

CABLE ASM-BLK
133566-12-010
NUT
D39-05-00B

TO GROUND BAR
BOLT
C26-05-12B (2)
NUT-GROUND
D39-05-00B (2)

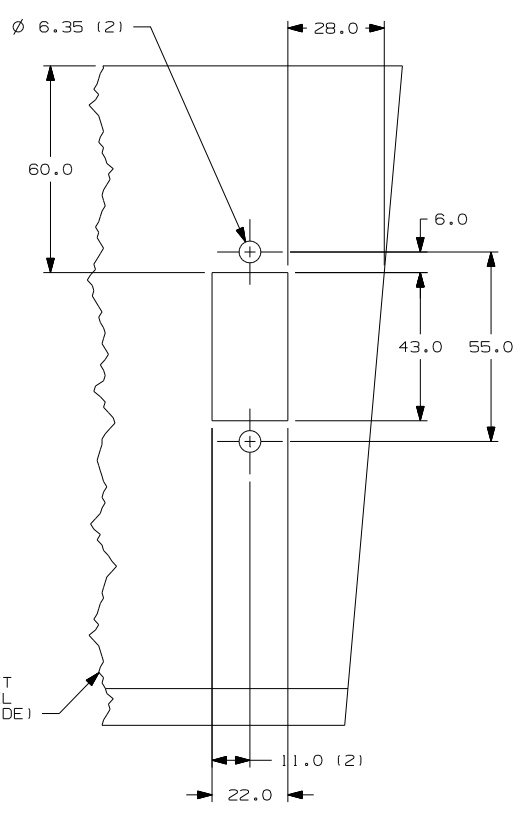
BOX ASM-ELECTRICAL
(REF)

DETAIL CD (22W)



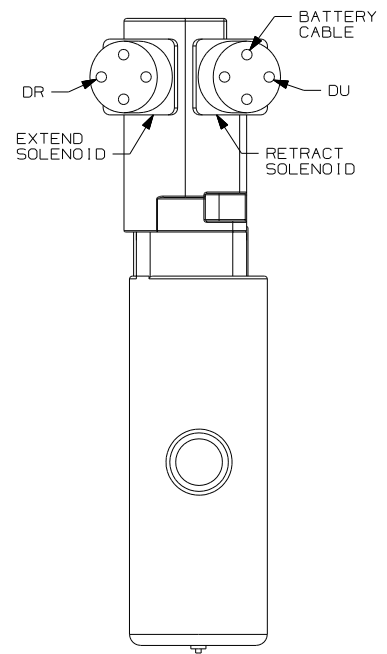
LOWER LEFT
DASH PANEL

DETAIL CB



LOWER LEFT
DASH PANEL
(RIGHT SIDE)

DETAIL CG (56F) (9L1)



BATTERY
CABLE

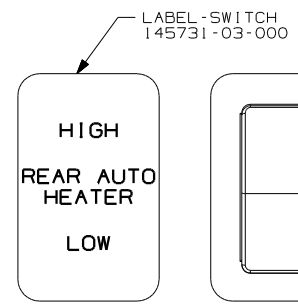
DR

DU

EXTEND
SOLENOID

RETRACT
SOLENOID

DETAIL CE



HIGH
REAR AUTO
HEATER
LOW

LABEL-SWITCH
145731-03-000

SWITCH-HEATER, AUX
108357-03-000
ACTUATOR SWITCH
108356-02-CHT

PLATE-SWITCH
144363-07-CHT
NUT
112722-01-CHT (2)

DETAIL CC (56F) (9L1)

- (9L1) HOME COMFORT PLUS PACKAGE
- (56F) HEATER-AUXILIARY AUTOMOTIVE
- (22W) BATTERY-SECOND

FOR ELECTRICAL
TORQUE
SPECIFICATIONS
SEE DWG NO.
128783-01-000

| | |
|------------|----------------------|
| FIRST USED | 05 431C |
| TITLE | DO NOT SCALE DRAWING |
| | WIRING INSTL-CHASSIS |
| SHEET 3 | PART NO 149984 |