



**DANGER**

**Danger of electrical shock, burns or death.** Always remove all power sources before attempting any repair, service or diagnostic work. Power can be present from shore power, generator, inverter or battery. All power sources must be disabled and secured before performing any service.

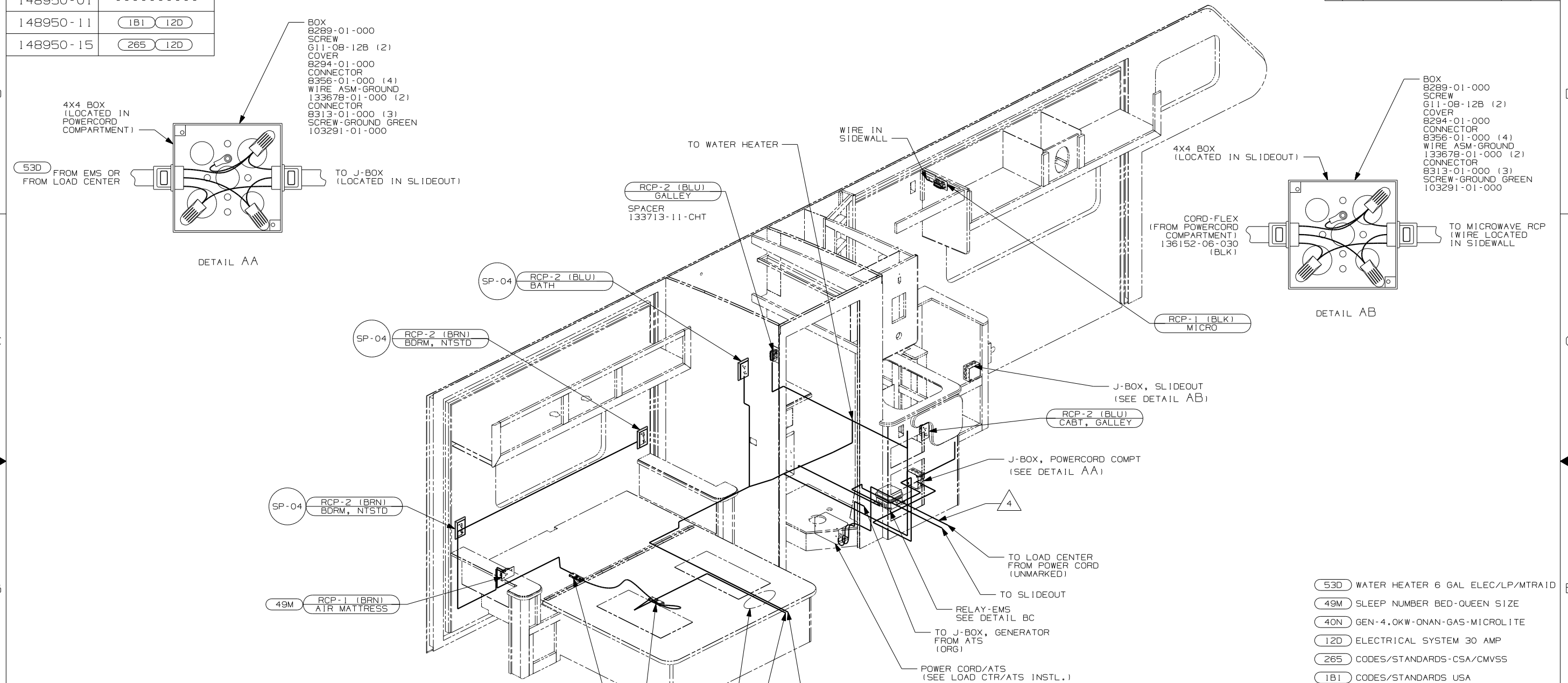


**CAUTION**

If you lack the skills, tools or equipment to perform diagnostic or repair work leave such work to an authorized Winnebago Industries dealer or other qualified shop.

DRAWING NO.	FEATURE
148950-01	-----
148950-11	(1B1) (12D)
148950-15	(265) (12D)

RELEASE	REV/DATE	DWG NO
	A	148950
REV ZONE	REVISION RECORD	DATE
		DFTR-0R16



- 9 WIRE ROUTED BELOW FLOOR.
- 8 SEE GENERATOR INSTL FOR ADDITIONAL INFORMATION.
- 7 PAINT EXPOSED SURFACES BLACK WITH 106112-01-000.
- 6 INSTALL RECEPTACLE WITH GROUND TOWARD FRONT OF VEHICLE.
- 5 ROUTE WIRE THRU SIDEWALL.
- 4 ROUTE WIRE THRU FLOOR.
3. ALL GROUND WIRE TO BE COVERED WITH TUBING 8041-02-000.
2. ALL 110V WIRE TO BE CLAMPED WITH CLAMP 10497-05-000 WITHIN 200 OF OUTLET BOXES, USE SCREW 667-10-12B.
1. ALL WIRES TO BE SECURED WITH CLAMP 10495-01-000 OR CLIP 80734-01-000 EVERY 600MM. USE SCREW 667-10-12B UNLESS OTHERWISE SPECIFIED.

NOTES:

- (53D) WATER HEATER 6 GAL ELEC/LP/MTR/1D
- (49M) SLEEP NUMBER BED-QUEEN SIZE
- (40N) GEN-4.0KW-ONAN-GAS-MICROLITE
- (12D) ELECTRICAL SYSTEM 30 AMP
- (265) CODES/STANDARDS-CSA/CMVSS
- (1B1) CODES/STANDARDS USA

(1B1) (265) (12D)



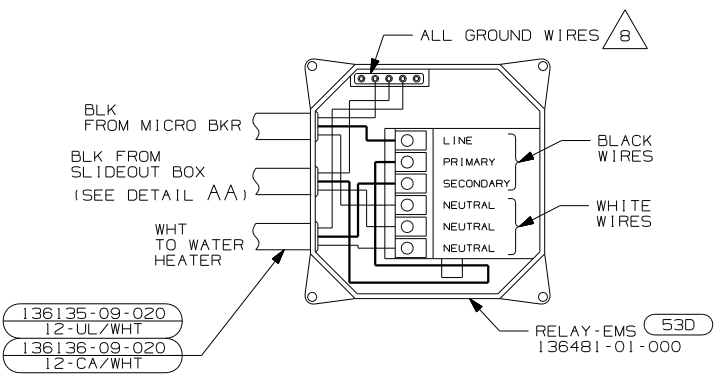
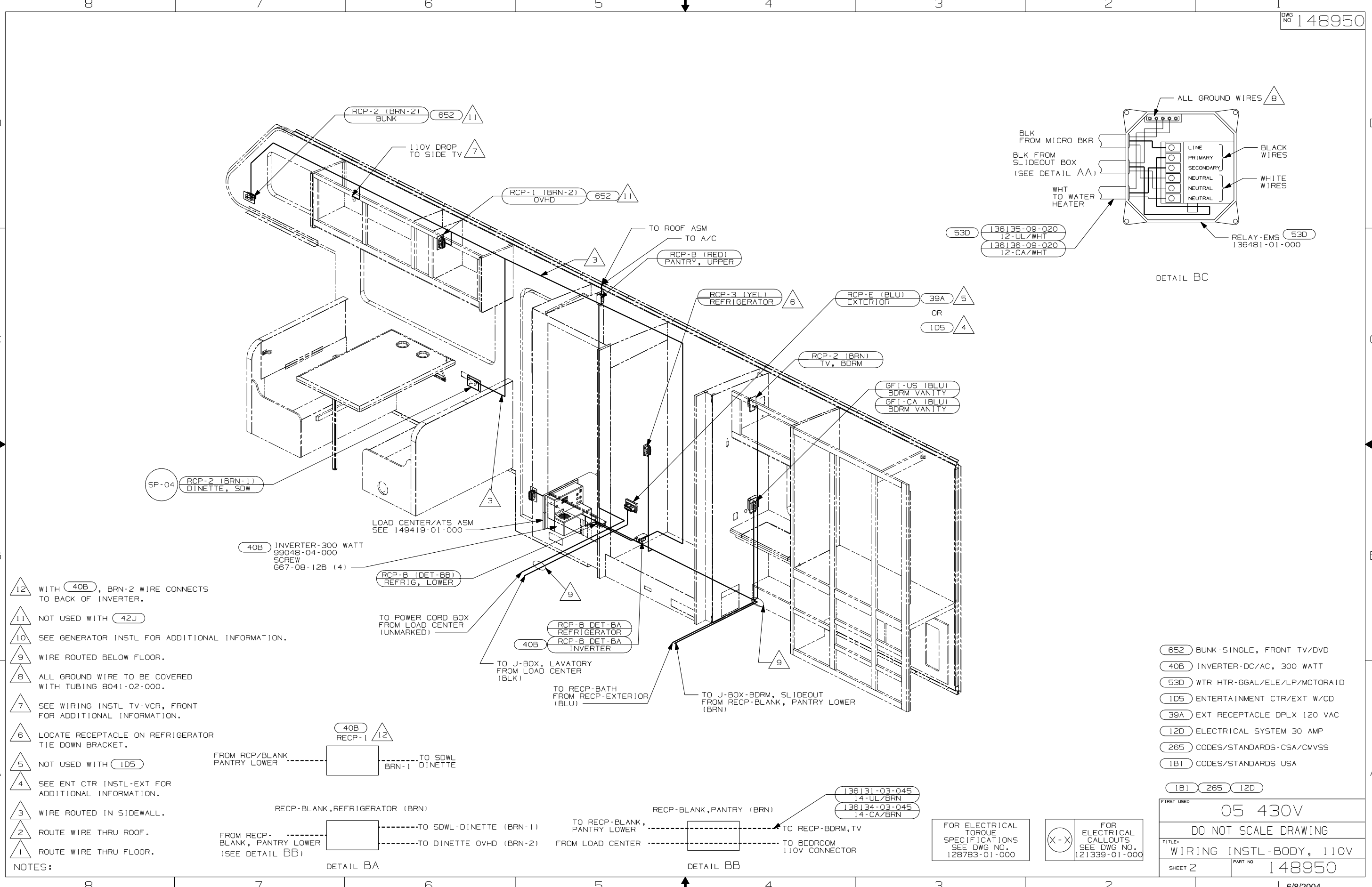
DFTR	ORIG. DATE
CHKR	ALL DIMENSIONS ARE IN MILLIMETERS
P.E.	
M.E.	FIRST USED
DSNR	05 430V
UNSPECIFIED TOLERANCES ARE:	MATERIAL:
WHOLE DIM (X)	:
ONE-PLACE (X.X)	:
TWO-PLACE (X.XX)	:
ANGLE	:
THIRD ANGLE PROJECTION	

DO NOT SCALE DRAWING

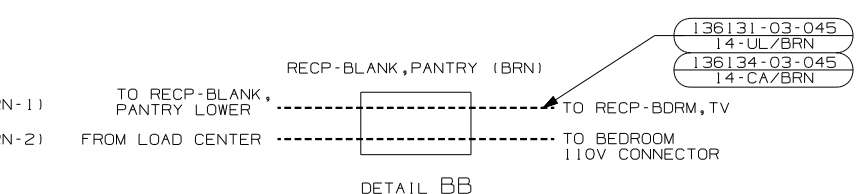
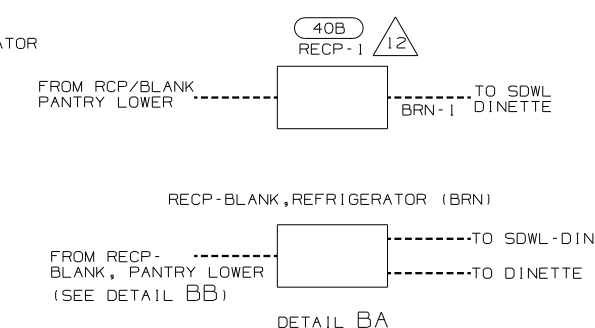
TITLE:	WIRING INSTL-BODY, 110V
SHEET 1 OF 3	PART NO 148950

FOR ELECTRICAL TORQUE SPECIFICATIONS SEE DWG NO. 128783-01-000

FOR ELECTRICAL CALLOUTS SEE DWG NO. 121339-01-000



- NOTES:
- 12 WITH 40B, BRN-2 WIRE CONNECTS TO BACK OF INVERTER.
  - 11 NOT USED WITH 42J
  - 10 SEE GENERATOR INSTL FOR ADDITIONAL INFORMATION.
  - 9 WIRE ROUTED BELOW FLOOR.
  - 8 ALL GROUND WIRE TO BE COVERED WITH TUBING 8041-02-000.
  - 7 SEE WIRING INSTL TV-VCR, FRONT FOR ADDITIONAL INFORMATION.
  - 6 LOCATE RECEPTACLE ON REFRIGERATOR TIE DOWN BRACKET.
  - 5 NOT USED WITH 1D5
  - 4 SEE ENT CTR INSTL-EXT FOR ADDITIONAL INFORMATION.
  - 3 WIRE ROUTED IN SIDEWALL.
  - 2 ROUTE WIRE THRU ROOF.
  - 1 ROUTE WIRE THRU FLOOR.

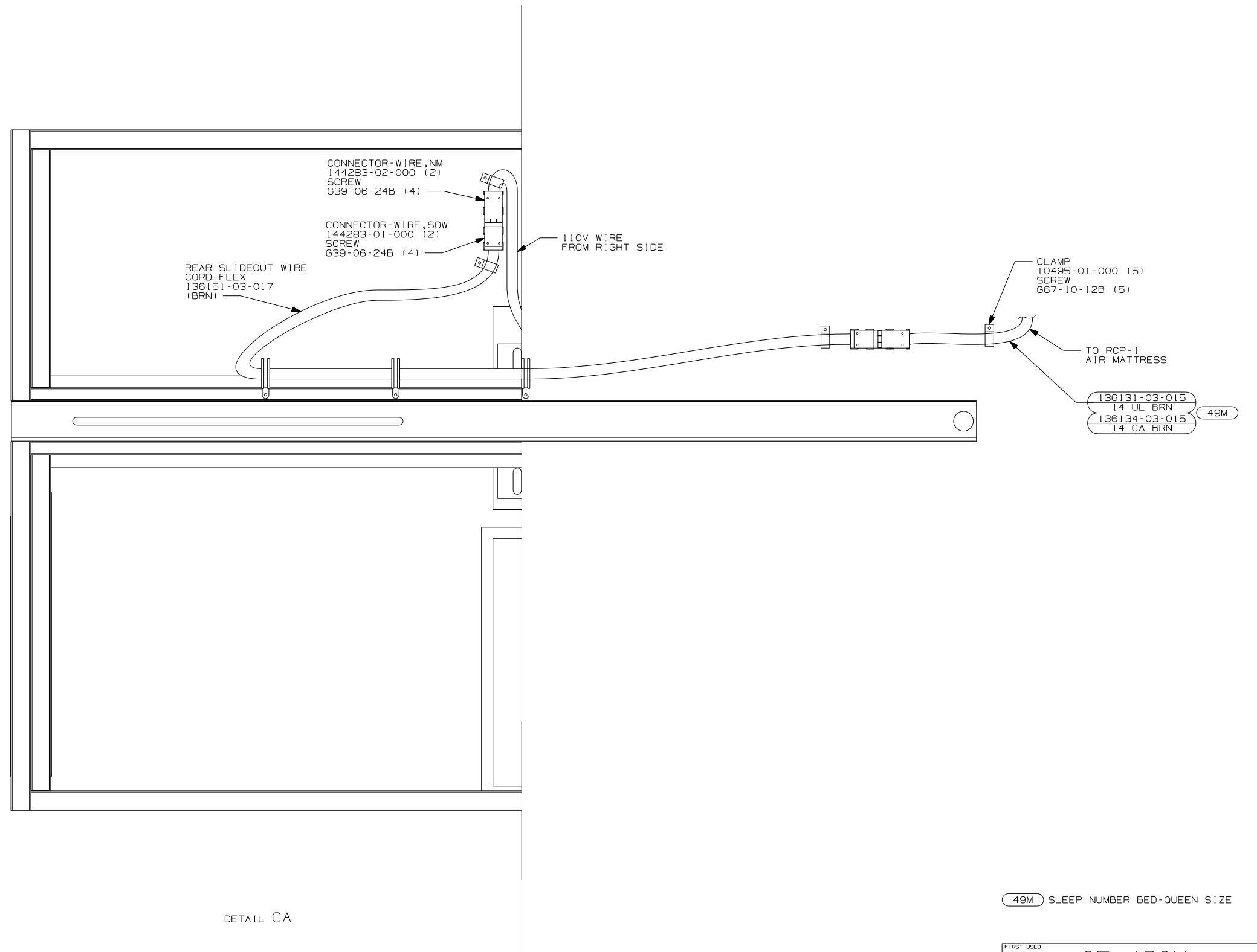


- 652 BUNK-SINGLE, FRONT TV/DVD
- 40B INVERTER-DC/AC, 300 WATT
- 53D WTR HTR-6GAL/ELE/LP/MOTORAID
- 1D5 ENTERTAINMENT CTR/EXT W/CD
- 39A EXT RECEPTACLE DPLX 120 VAC
- 12D ELECTRICAL SYSTEM 30 AMP
- 265 CODES/STANDARDS-CSA/CMVSS
- 1B1 CODES/STANDARDS USA

FOR ELECTRICAL TORQUE SPECIFICATIONS SEE DWG NO. 128783-01-000

FOR ELECTRICAL CALLOUTS SEE DWG NO. 121339-01-000

FIRST USED	05 430V
TITLE	DO NOT SCALE DRAWING
TITLE	WIRING INSTL-BODY, 110V
SHEET 2	PART NO 148950



DETAIL CA

49M SLEEP NUMBER BED-QUEEN SIZE

FOR ELECTRICAL TORQUE SPECIFICATIONS SEE DWG NO. 128783-01-000

FOR ELECTRICAL CALLOUTS SEE DWG NO. 121339-01-000

FIRST USED	05 430V
DO NOT SCALE DRAWING	
TITLE	WIRING INSTL-BODY, 110V
SHEET 3	PART NO 148950