

9. SECURE VENT TUBES TO FLOOR WITH BRACKET 95061-01-000 (2), CLAMP 62401-02-000 AND SCREW G67-10-12B (2).
8. VENT PIPE MUST PROJECT 51 MM MIN AND 64 MM MAX ABOVE ROOF FOR PROPER FIT AND FUNCTION.
- SEAL ALL AROUND SHOWER WITH SILICONE.
  - SEE DRAWING 61607-01-000 FOR INSTL OF GROMMETS.
  - SECURE PIPES TO CABINET USING WIRE TIE 108046-02-000 AND SCREW G67-10-12B (8).
  - ALL EXTERIOR OPENINGS AROUND PIPE TO BE SEALED WITH 110744-01-000.
  - ALL PIPE AND FITTINGS TO BE ASSEMBLED WITH SOLVENT 4020-01-000 (US), 4020-02-000 (CAN).
  - SLOPE OF TRAP ARM MUST BE 6 PER 305.
  - SLOPE OF HORIZONTAL PIPING TO BE 6 PER 305 MIN.

NOTES:

FOR DRAINAGE CALLOUTS SEE DWG NO. 116229-01-000

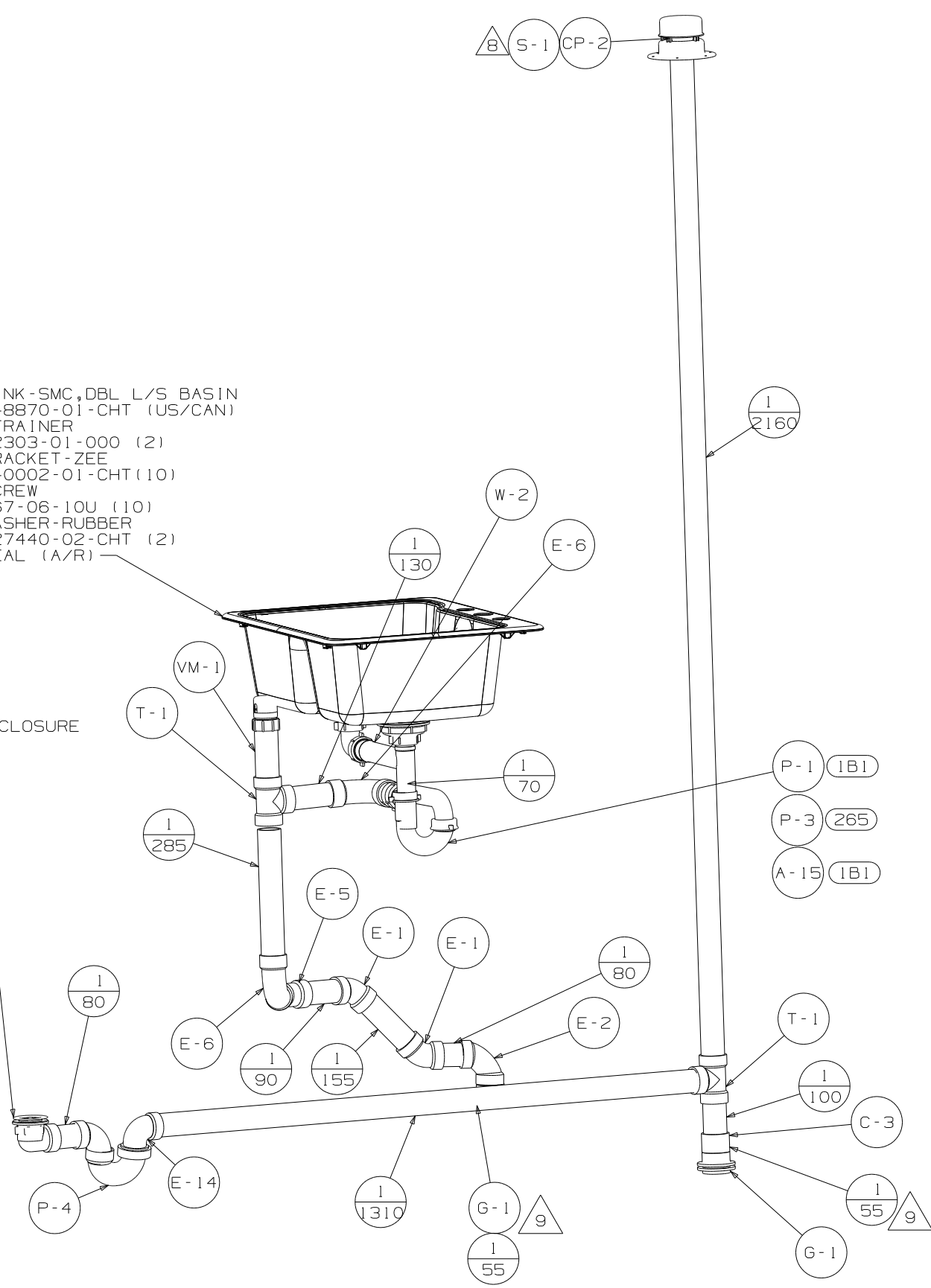
<b>WINNEBAGO</b>		COPYRIGHT 2004 WINNEBAGO INDUSTRIES, INC.	
D/FR	ORIG. DATE	ALL DIMENSIONS ARE IN MILLIMETERS	
CHKR		05 430V	
P.E.			
M.E.	FIRST USED		
DSNR			
UNSPECIFIED TOLERANCES ARE:		MATERIAL:	
WHOLE DIM (X)	: 3		
ONE-PLACE (X.X)	: 1.5		
TWO-PLACE (X.XX)	: 0.50		
ANGLE	: 1°		
THIRD ANGLE PROJECTION			
DO NOT SCALE DRAWING			
TITLE: DRAINAGE SYSTEM INSTL			
SHEET 1 OF 3	PART NO	148902	
REF:46238 F   12/1/2004			

SINK-SMC, DBL L/S BASIN  
148870-01-CHT (US/CAN)  
STRAINER  
92303-01-000 (2)  
BRACKET-ZEE  
140002-01-CHT (10)  
SCREW  
G67-06-10U (10)  
WASHER-RUBBER  
127440-02-CHT (2)  
SEAL (A/R)

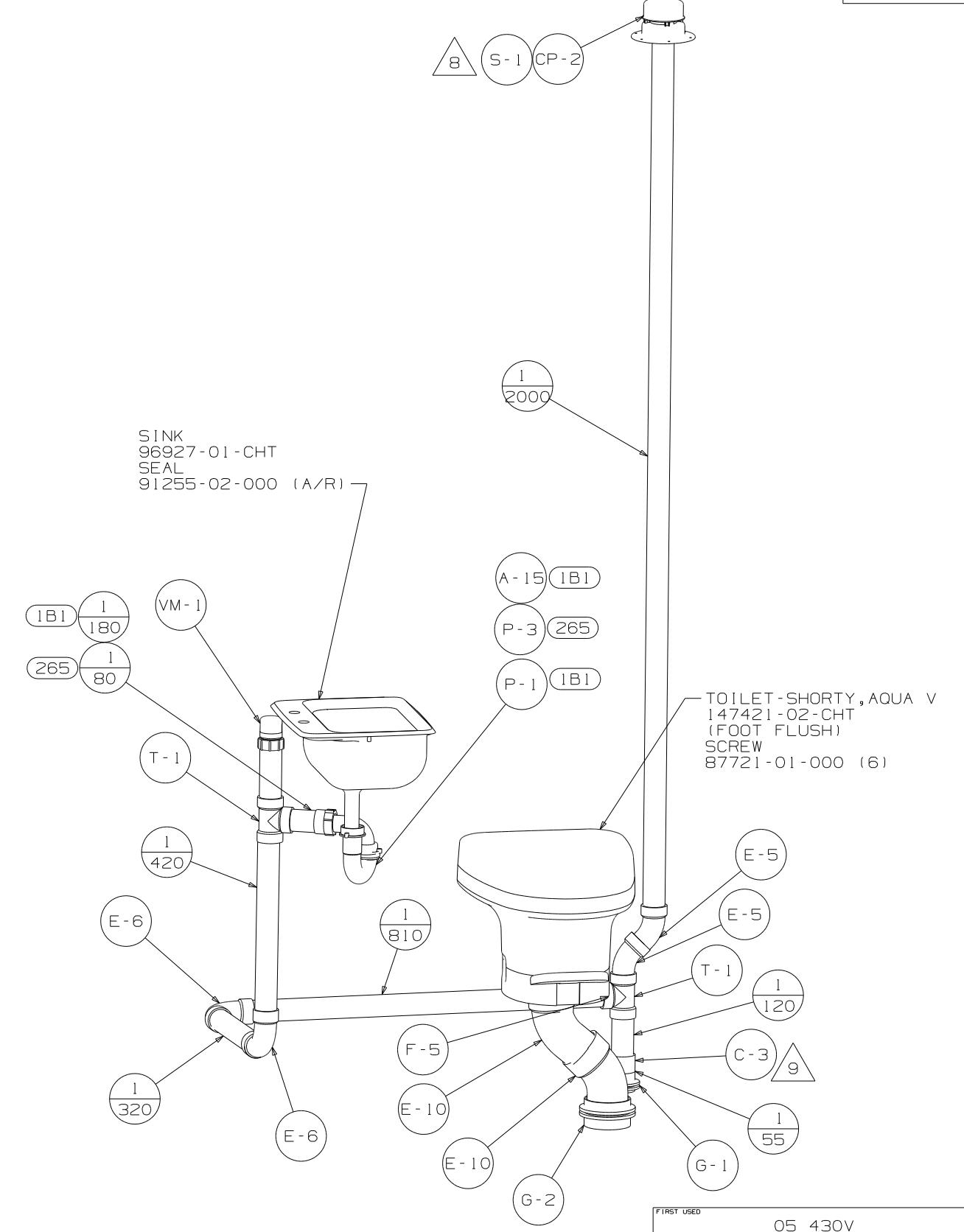
SHOWER INSTL-ENCLOSURE  
147874-02-000  
STRAINER  
66440-01-000  
SEALER  
69640-01-000  
NUT  
130403-01-000  
WASHER-RUBBER  
127440-02-CHT  
TAILPIECE  
11069-02-000  
ELBOW-DRAIN  
131486-01-000

SINK  
96927-01-CHT  
SEAL  
91255-02-000 (A/R)

TOILET-SHORTY, AQUA V  
147421-02-CHT  
(FOOT FLUSH)  
SCREW  
87721-01-000 (6)

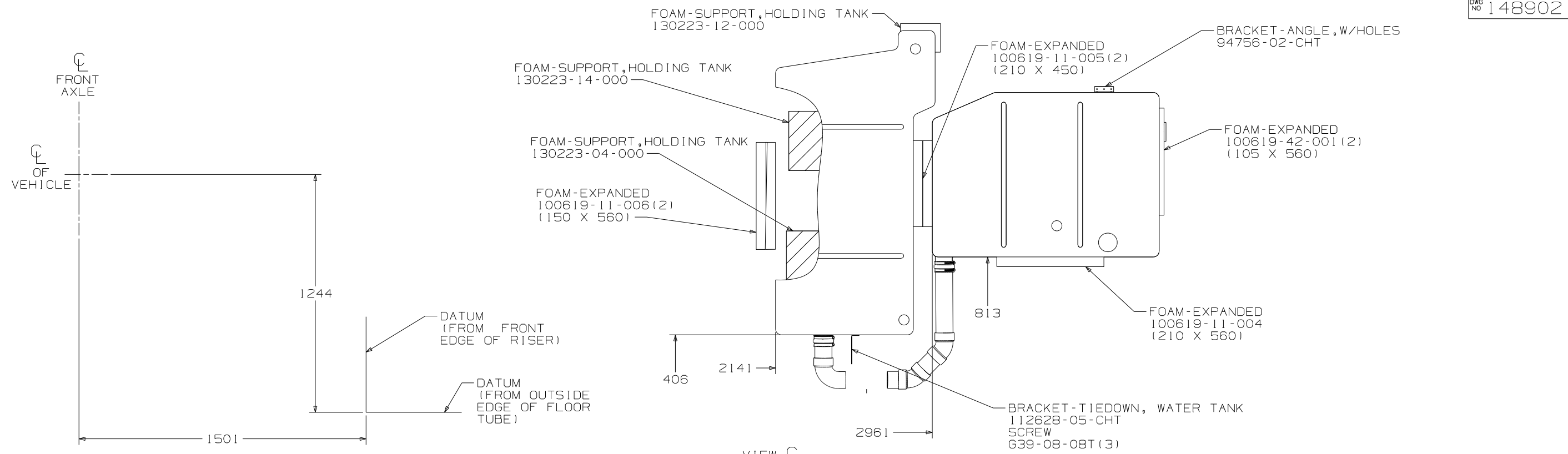


VIEW A

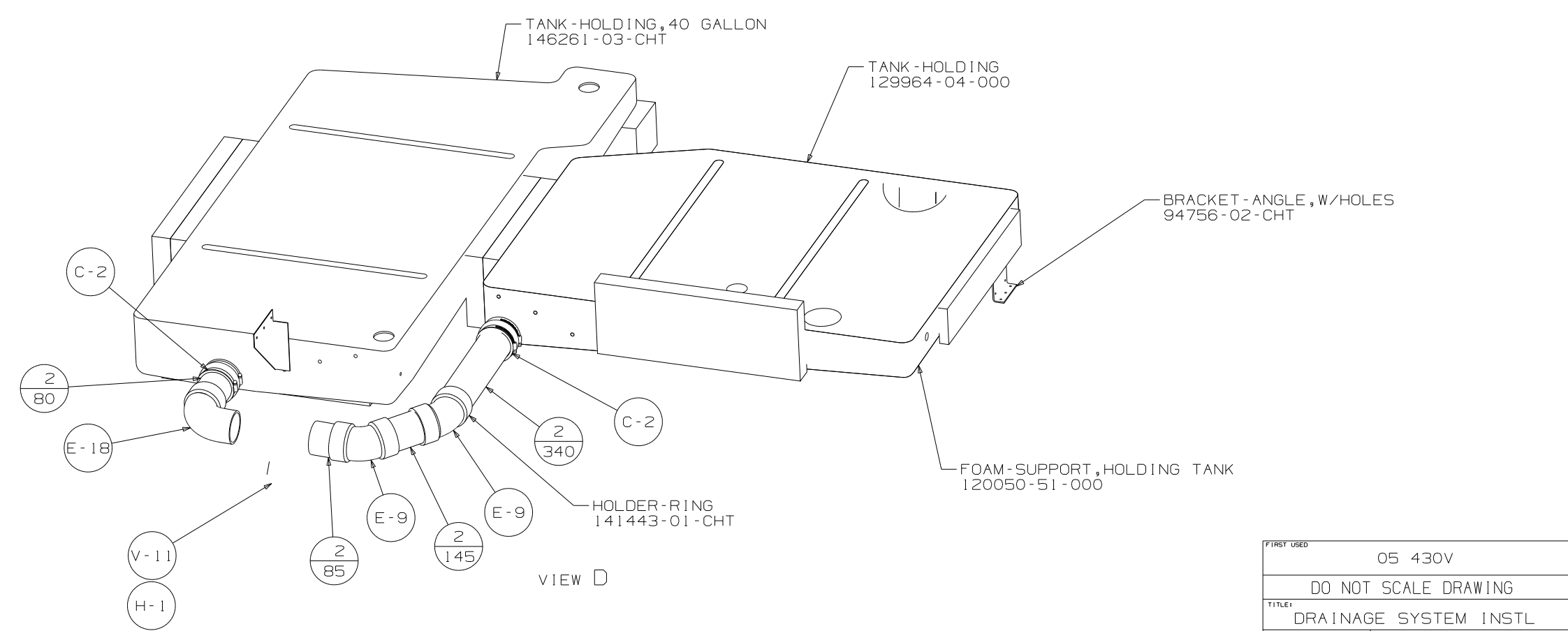


VIEW B

FIRST USED	05 430V
DO NOT SCALE DRAWING	
TITLE	DRAINAGE SYSTEM INSTL
SHEET 2	PART NO 148902

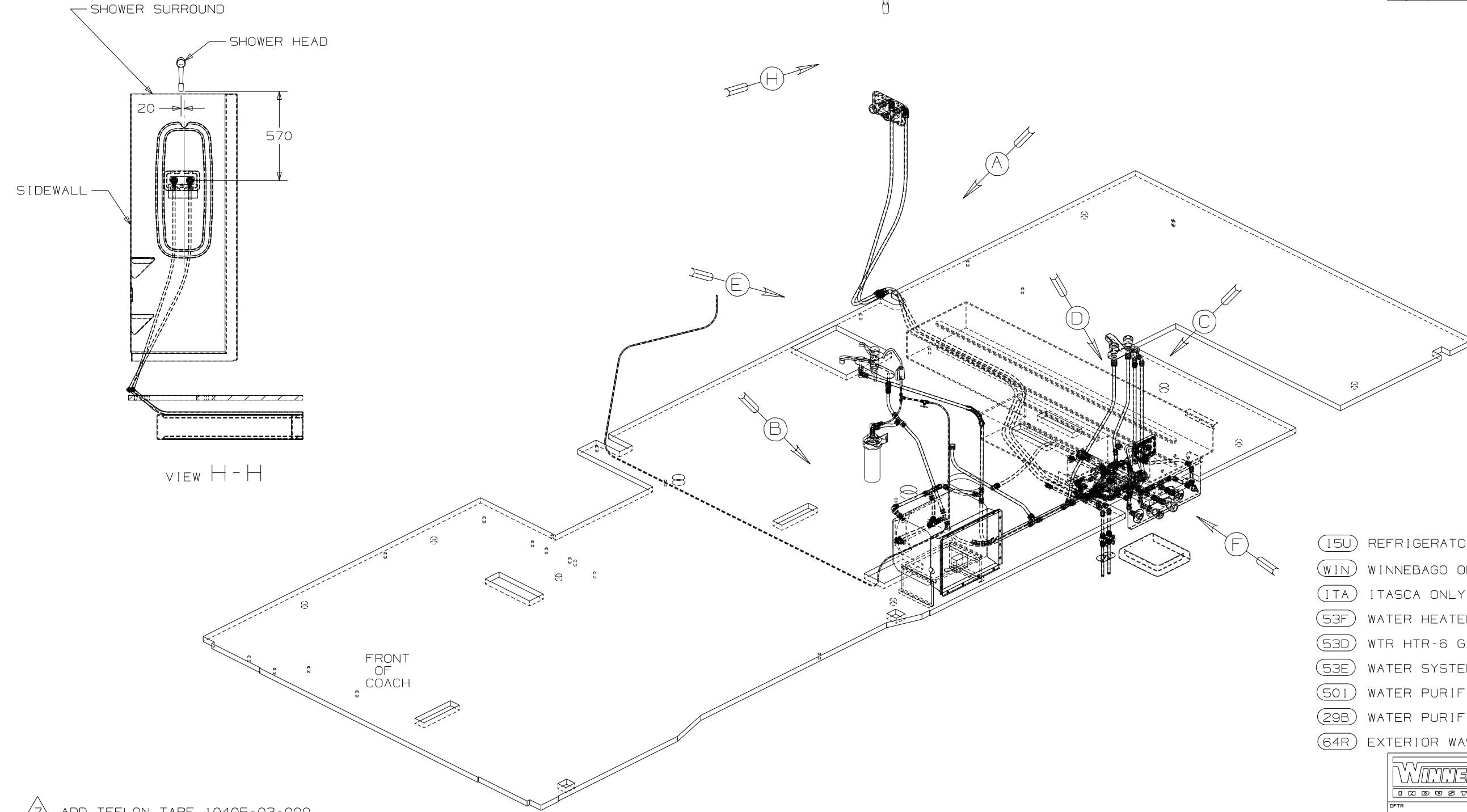


VIEW C



VIEW D

FIRST USED	05 430V
DO NOT SCALE DRAWING	
TITLE	DRAINAGE SYSTEM INSTL
SHEET 3	PART NO 148902

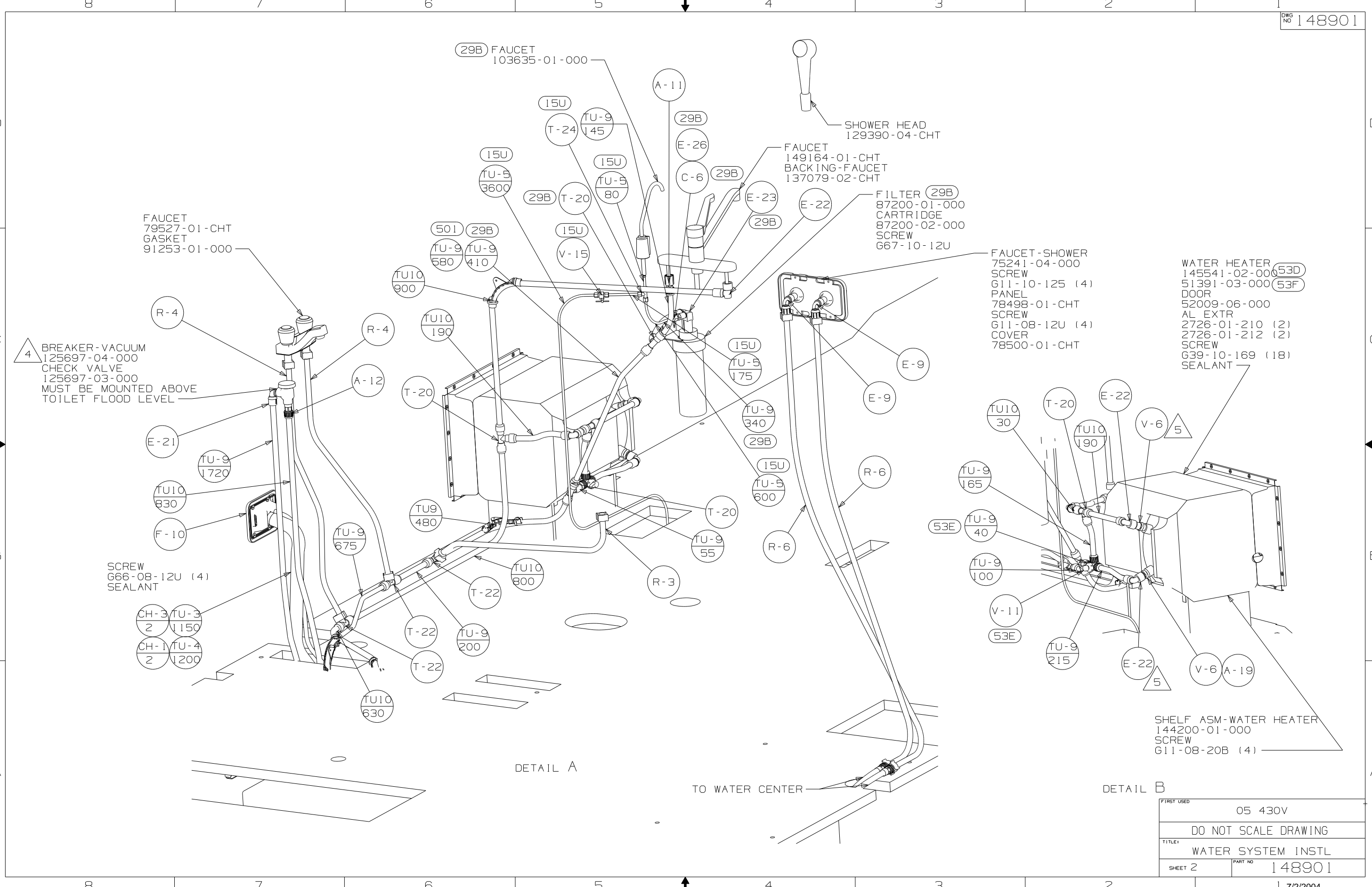


- (15U) REFRIGERATOR/FRZR W/ICEMAKER
- (WIN) WINNEBAGO ONLY
- (ITA) ITASCA ONLY
- (53F) WATER HEATER-ELEC IGNITION
- (53D) WTR HTR-6 GAL ELECTRIC/LP GAS
- (53E) WATER SYSTEM WINTERIZATION PKG
- (501) WATER PURIFIER WITHOUT
- (29B) WATER PURIFIER SYSTEM
- (64R) EXTERIOR WASH STATION

- NOTES:
- 7 ADD TEFLON TAPE 10405-03-000.
  - 6 ADD TEFLON TAPE 10405-02-000.
  - 5 ADD TEFLON TAPE 10405-01-000.
  - 4 FLUSHING SYSTEM REQUIRES 125697-06-000 INSTRUCTION SHEET.
3. ALL TUBING TO BE SECURED AT 1200 INTERVALS MAXIMUM WITH CLAMP 10495-01-000 OR CLIP 9151-01-000 AND SCREW G67-10-12B.
  2. TUBING TO BE INSTALLED WITH SUFFICIENT SLOPE TO PROVIDE DRAINAGE TO NEAREST VALVE.
  1. PLASTIC FITTINGS TO BE SEALED WITH SEALANT 84456-01-000.

(X-X)  
FOR  
WATER  
CALLOUTS  
SEE DWG NO  
116230-01-000

<b>WINNEBAGO</b>		COPYRIGHT 2004 WINNEBAGO INDUSTRIES, INC.	
DFTR	ORIG. DATE	ALL DIMENSIONS ARE IN MILLIMETERS	
CHKR		FIRST USED	
P.E.		05 430V	
M.E.			
DSNR			
UNSPECIFIED TOLERANCES ARE:		MATERIAL:	
WHOLE DIM (X)	: 7		
ONE-PLACE (X.X)	:		
TWO-PLACE (X.XX)	:		
ANGLE	:		
THIRD ANGLE PROJECTION			
DO NOT SCALE DRAWING			
TITLE: WATER SYSTEM INSTL			
SHEET 1 OF 4	PART NO	148901	



FAUCET  
79527-01-CHT  
GASKET  
91253-01-000

4  
BREAKER-VACUUM  
125697-04-000  
CHECK VALVE  
125697-03-000  
MUST BE MOUNTED ABOVE  
TOILET FLOOD LEVEL

SCREW  
G66-08-12U (4)  
SEALANT

CH-3 TU-3  
2 1150  
CH-1 TU-4  
2 1200

(29B) FAUCET  
103635-01-000

SHOWER HEAD  
129390-04-CHT

FAUCET  
149164-01-CHT  
BACKING-FAUCET  
137079-02-CHT

FILTER (29B)  
87200-01-000  
CARTRIDGE  
87200-02-000  
SCREW  
G67-10-12U

FAUCET-SHOWER  
75241-04-000  
SCREW  
G11-10-125 (4)  
PANEL  
78498-01-CHT  
SCREW  
G11-08-12U (4)  
COVER  
78500-01-CHT

WATER HEATER  
145541-02-000 (53D)  
51391-03-000 (53F)  
DOOR  
52009-06-000  
AL EXTR  
2726-01-210 (2)  
2726-01-212 (2)  
SCREW  
G39-10-169 (18)  
SEALANT

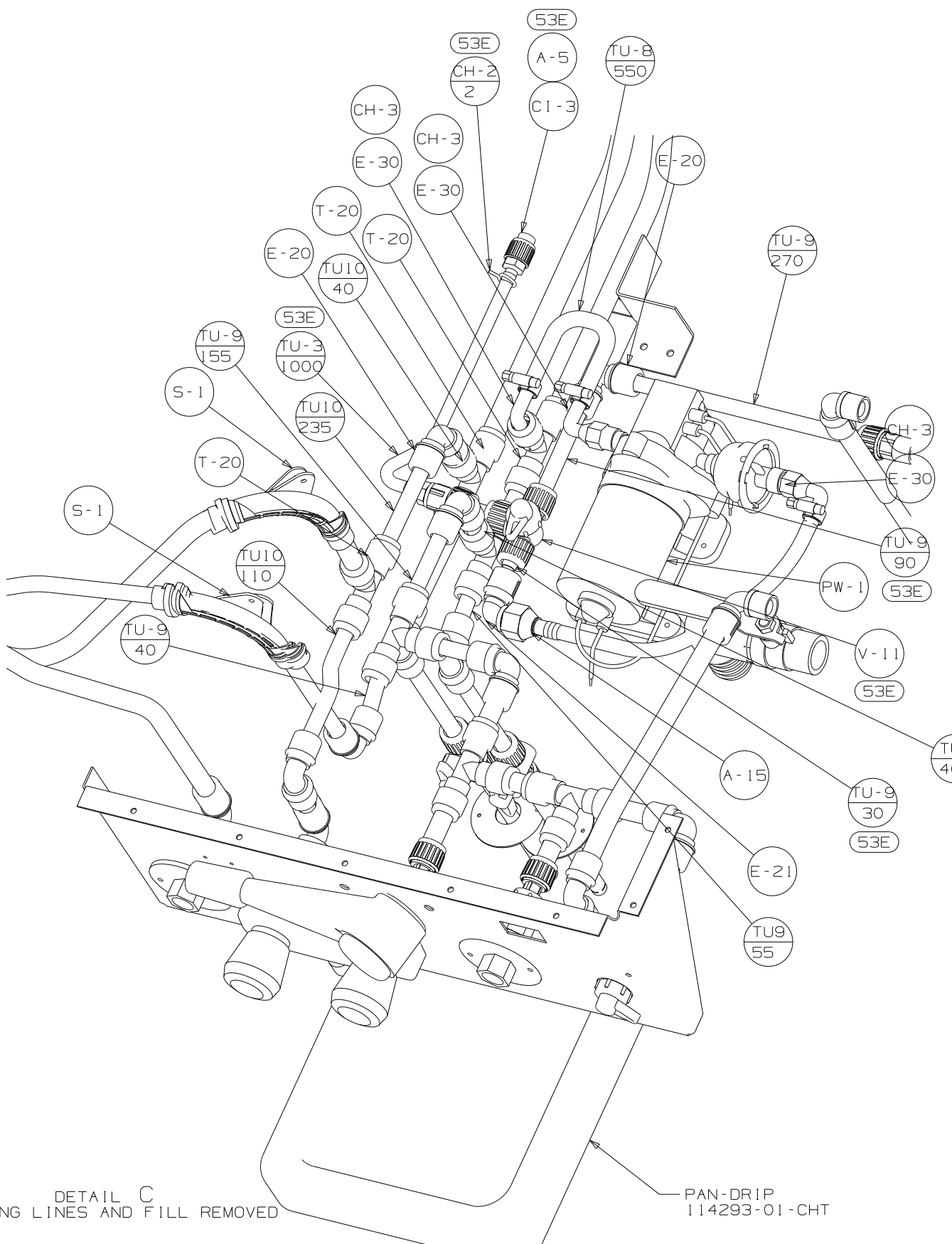
SHELF ASM-WATERHEATER  
144200-01-000  
SCREW  
G11-08-20B (4)

DETAIL A

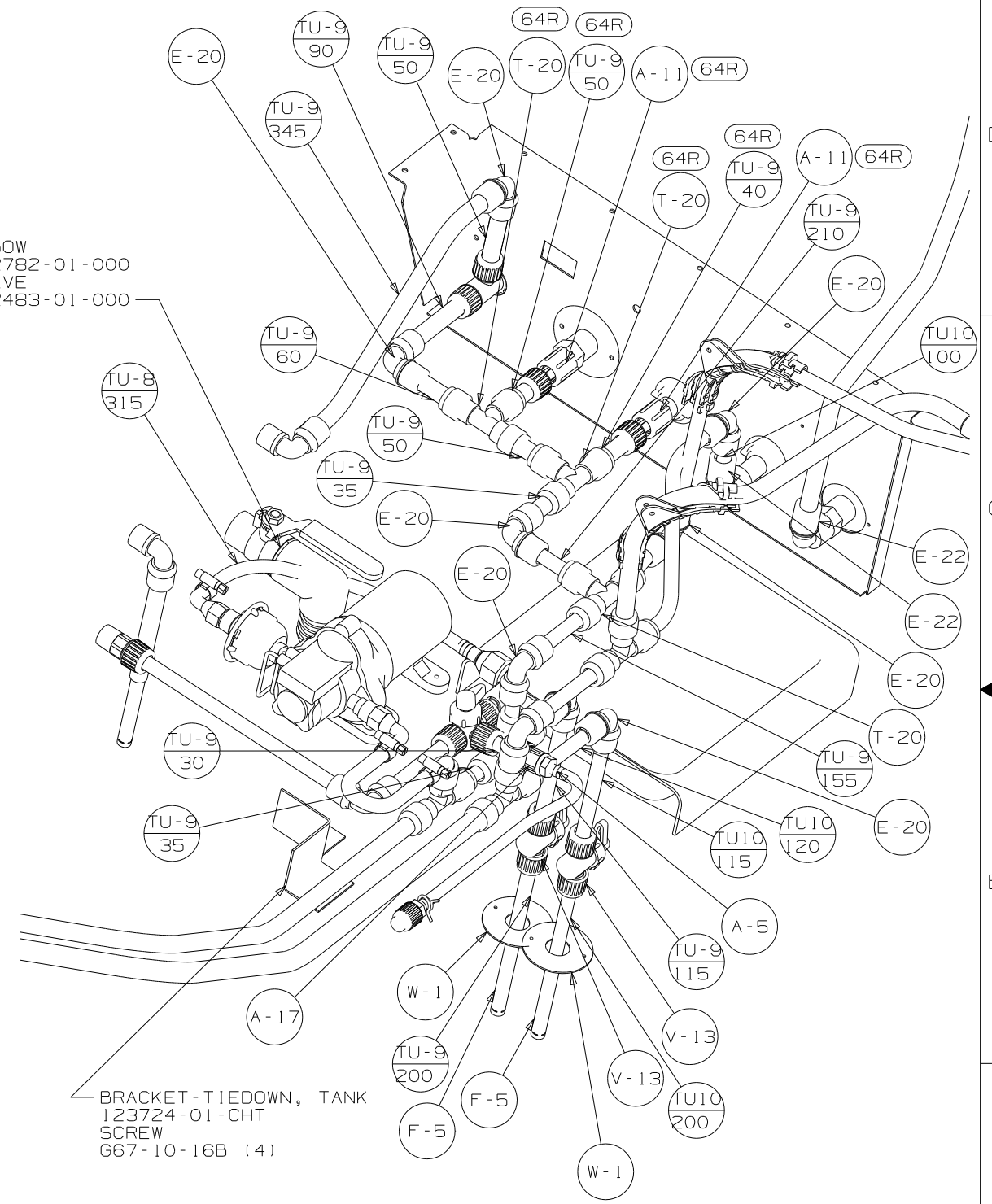
DETAIL B

TO WATER CENTER

FIRST USED	05 430V
DO NOT SCALE DRAWING	
TITLE	WATER SYSTEM INSTL
SHEET 2	PART NO 148901



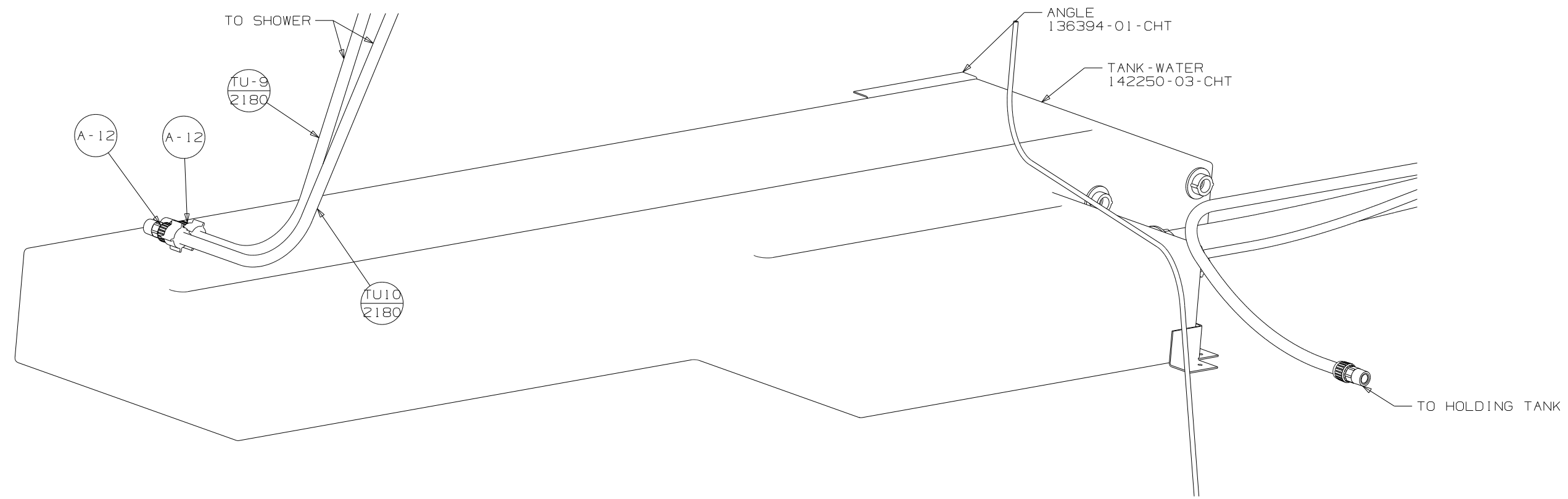
ELBOW  
132782-01-000  
VALVE  
132483-01-000



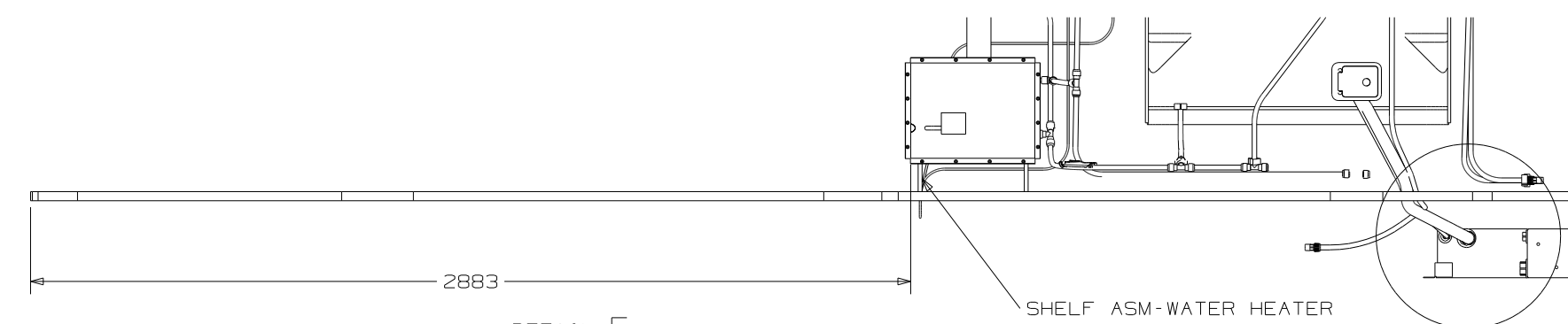
DETAIL C  
FLUSHING LINES AND FILL REMOVED

DETAIL D  
FLUSHING LINES AND FILL REMOVED

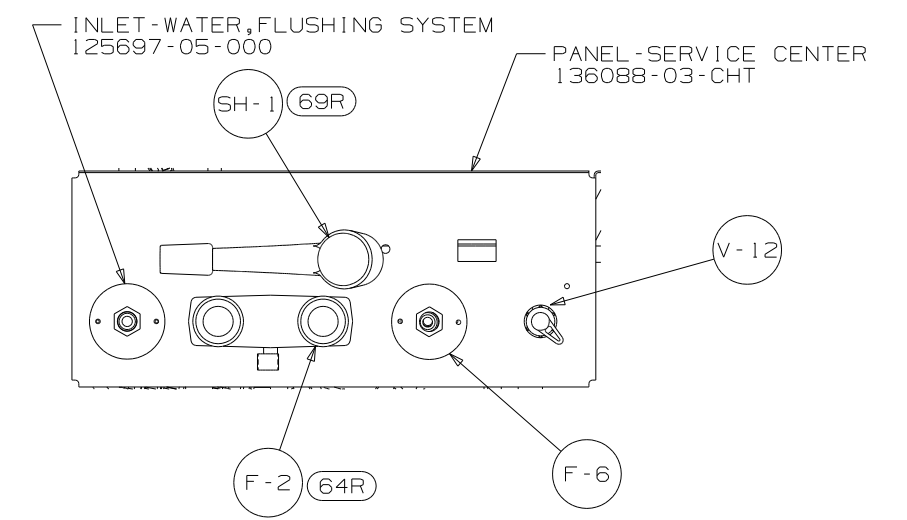
FIRST USED	05 430V
TITLE	DO NOT SCALE DRAWING
TITLE	WATER SYSTEM INSTL
SHEET 3	PART NO 148901



DETAIL E



DETAIL F



DETAIL G

FIRST USED	05 430V
DO NOT SCALE DRAWING	
TITLE:	WATER SYSTEM INSTL
SHEET 4	PART NO 148901