



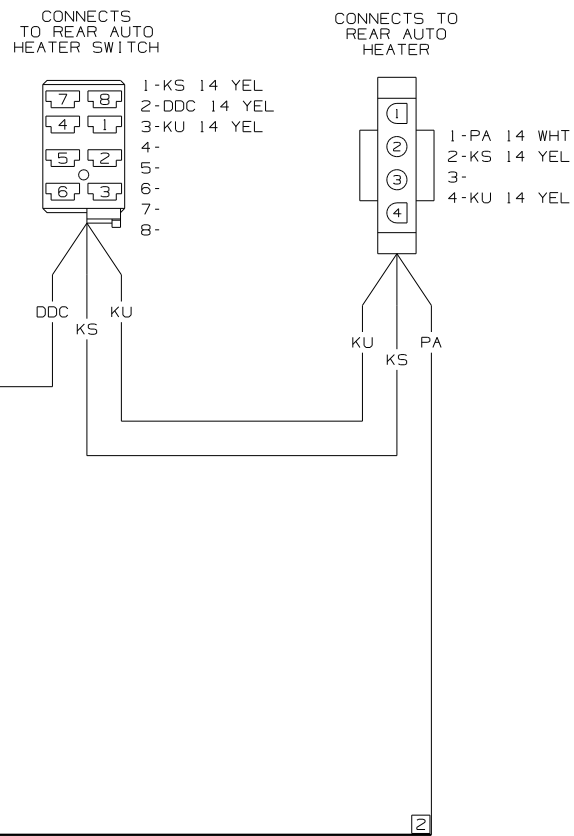
**DANGER**

**Danger of electrical shock, burns or death.** Always remove all power sources before attempting any repair, service or diagnostic work. Power can be present from shore power, generator, inverter or battery. All power sources must be disabled and secured before performing any service.

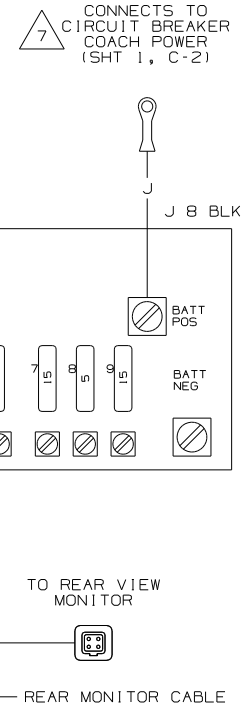
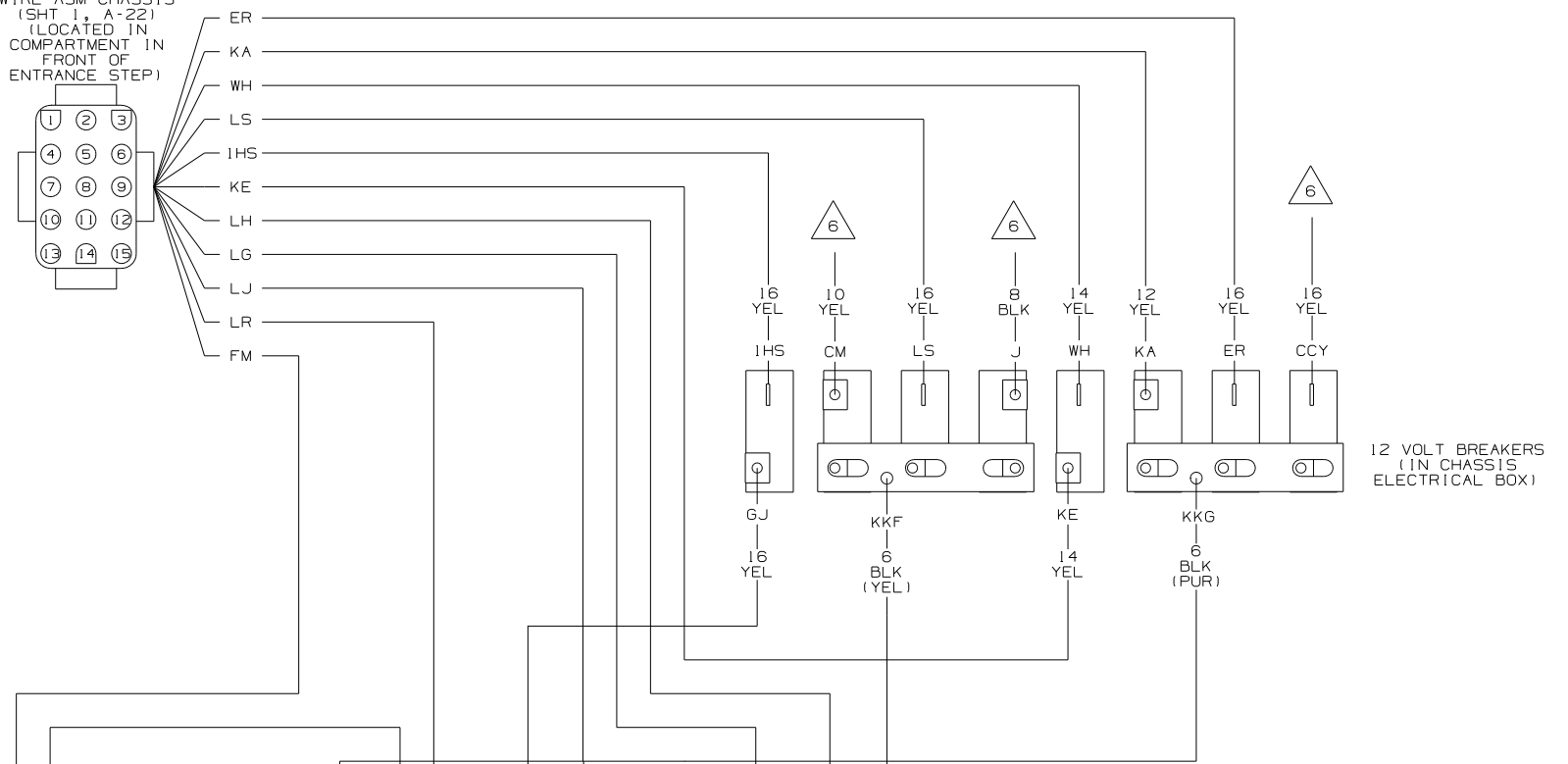


**CAUTION**

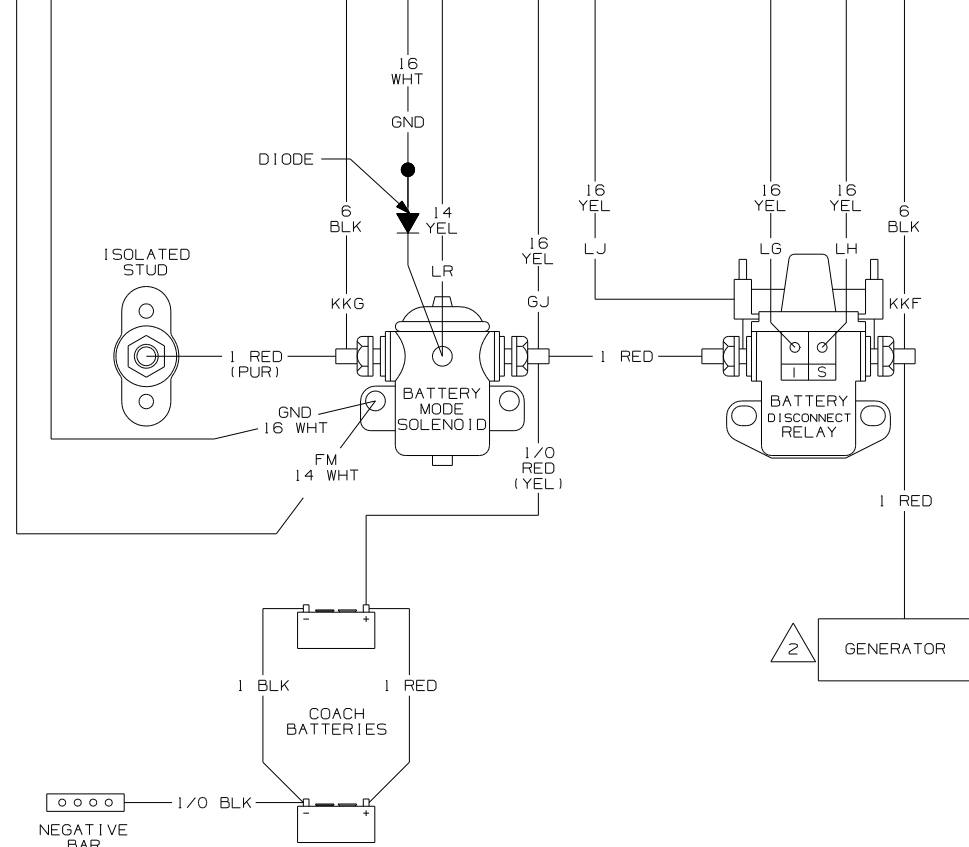
If you lack the skills, tools or equipment to perform diagnostic or repair work leave such work to an authorized Winnebago Industries dealer or other qualified shop.



- CONNECTS TO WIRE ASM-CHASSIS (SHT 1, A-22) (LOCATED IN COMPARTMENT IN FRONT OF ENTRANCE STEP)
- 1-
  - 2-
  - 3-ER 16 YEL
  - 4-
  - 5-LG 16 YEL
  - 6-FM 14 WHT
  - 7-LR 14 YEL
  - 8-IHS 16 YEL
  - 9-WH 14 YEL
  - 10-KE 14 YEL
  - 11-LH 16 YEL
  - 12-
  - 13-LJ 16 YEL
  - 14-LS 16 YEL
  - 15-KA 12 YEL

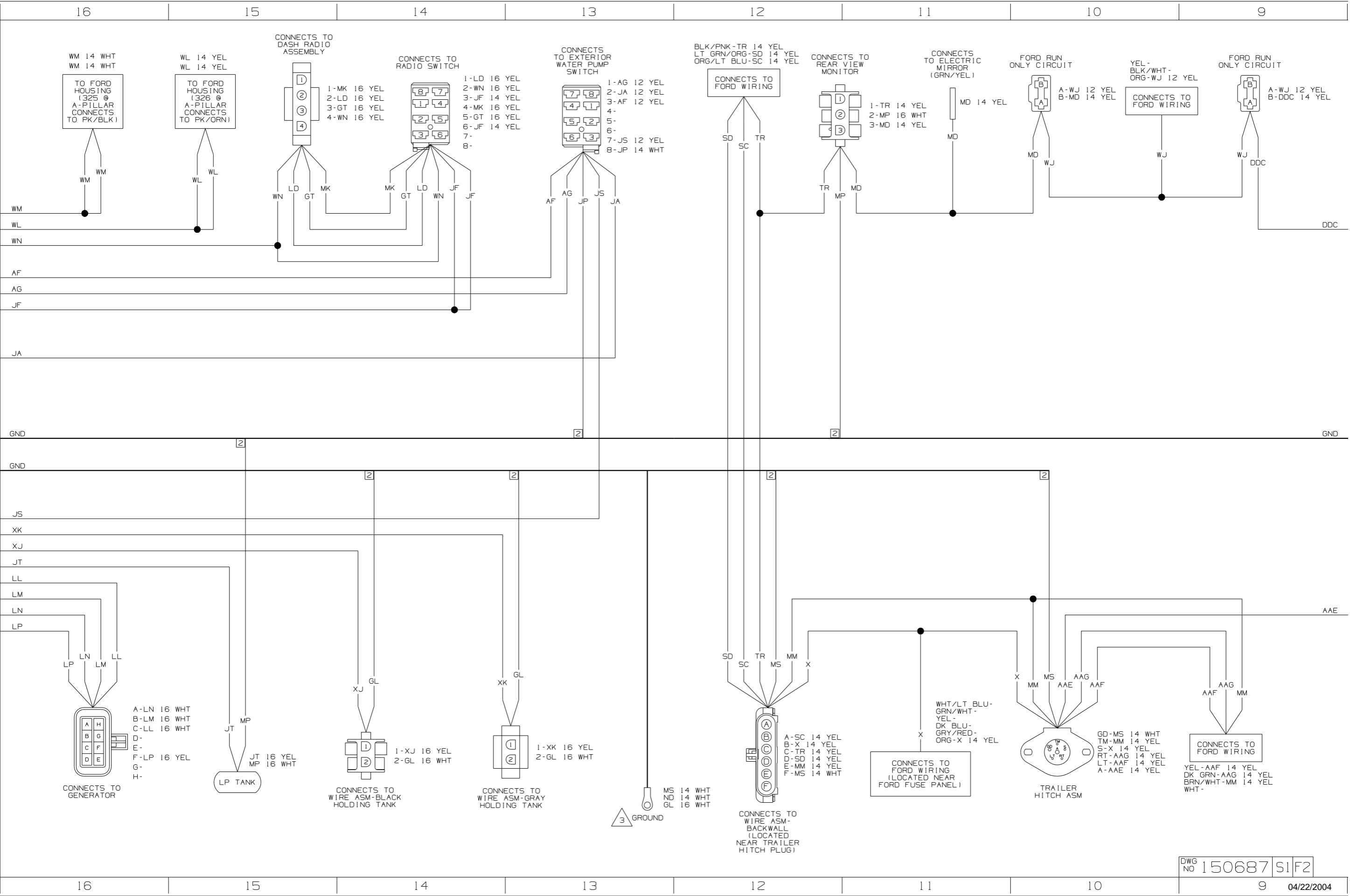


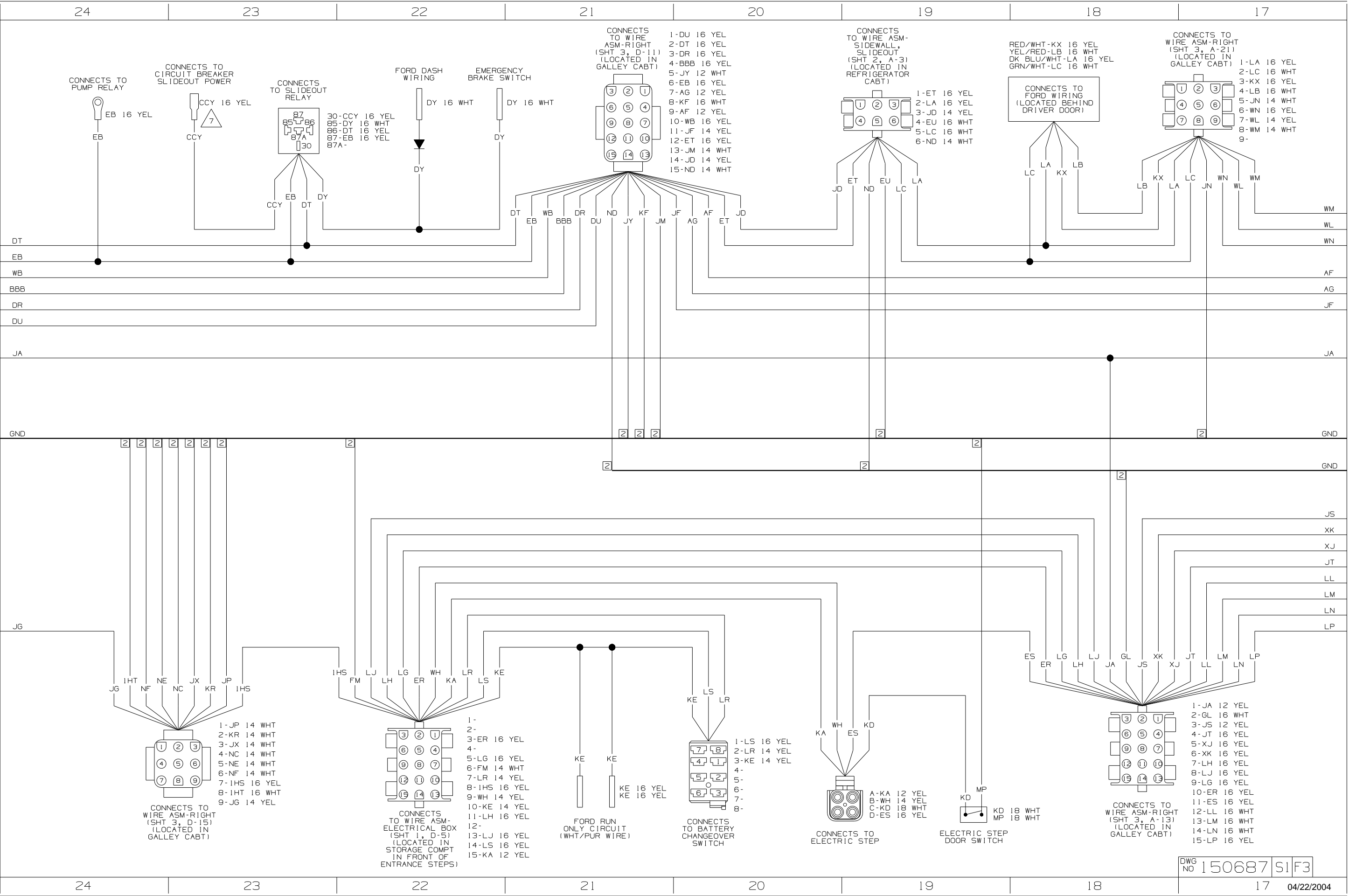
WIRING DIAGRAM-CHASSIS (WIRE ASM 149381 REV A)



WIRING DIAGRAM-ELECTRICAL BOX (WIRE ASM 124125-04 REV-L)

<b>WINNEBAGO</b>		COPYRIGHT 2004 WINNEBAGO INDUSTRIES, INC.	
DFTR	ORIG. DATE	ALL DIMENSIONS ARE IN MILLIMETERS	
CHR		M.E.	
P.E.		FIRST USED	
M.E.		05 427P	
DSNR		UNSPECIFIED TOLERANCES ARE:	
MATERIAL:		THIRD ANGLE PROJECTION	
DO NOT SCALE DRAWING		TITLE:	
WIRING DIAGRAM-BODY, 12V		SHEET 1 of 5	
PART NO		150687	
REF:		1 04/22/2004	





- CONNECTS TO WIRE ASM-RIGHT (SHT 3, D-11) (LOCATED IN GALLEY CABT)
- 1-DU 16 YEL
  - 2-DT 16 YEL
  - 3-DR 16 YEL
  - 4-BBB 16 YEL
  - 5-JY 12 WHT
  - 6-EB 16 YEL
  - 7-AG 12 YEL
  - 8-KF 16 WHT
  - 9-AF 12 YEL
  - 10-WB 16 YEL
  - 11-JF 14 YEL
  - 12-ET 16 YEL
  - 13-JM 14 WHT
  - 14-JD 14 YEL
  - 15-ND 14 WHT

- CONNECTS TO WIRE ASM-SIDEWALL, SLIDEOUT (SHT 2, A-3) (LOCATED IN REFRIGERATOR CABT)
- 1-ET 16 YEL
  - 2-LA 16 YEL
  - 3-JD 14 YEL
  - 4-EU 16 WHT
  - 5-LC 16 WHT
  - 6-ND 14 WHT

- CONNECTS TO FORD WIRING (LOCATED BEHIND DRIVER DOOR)
- RED/WHT-KX 16 YEL
  - YEL/RED-LB 16 WHT
  - DK BLU/WHT-LA 16 YEL
  - GRN/WHT-LC 16 WHT

- CONNECTS TO WIRE ASM-RIGHT (SHT 3, A-21) (LOCATED IN GALLEY CABT)
- 1-LA 16 YEL
  - 2-LC 16 WHT
  - 3-KX 16 YEL
  - 4-LB 16 WHT
  - 5-JN 14 WHT
  - 6-WN 16 YEL
  - 7-WL 14 YEL
  - 8-WM 14 WHT
  - 9-

- CONNECTS TO SLIDEOUT RELAY
- 30-CCY 16 YEL
  - 85-DY 16 WHT
  - 86-DT 16 YEL
  - 87-EB 16 YEL
  - 87A-

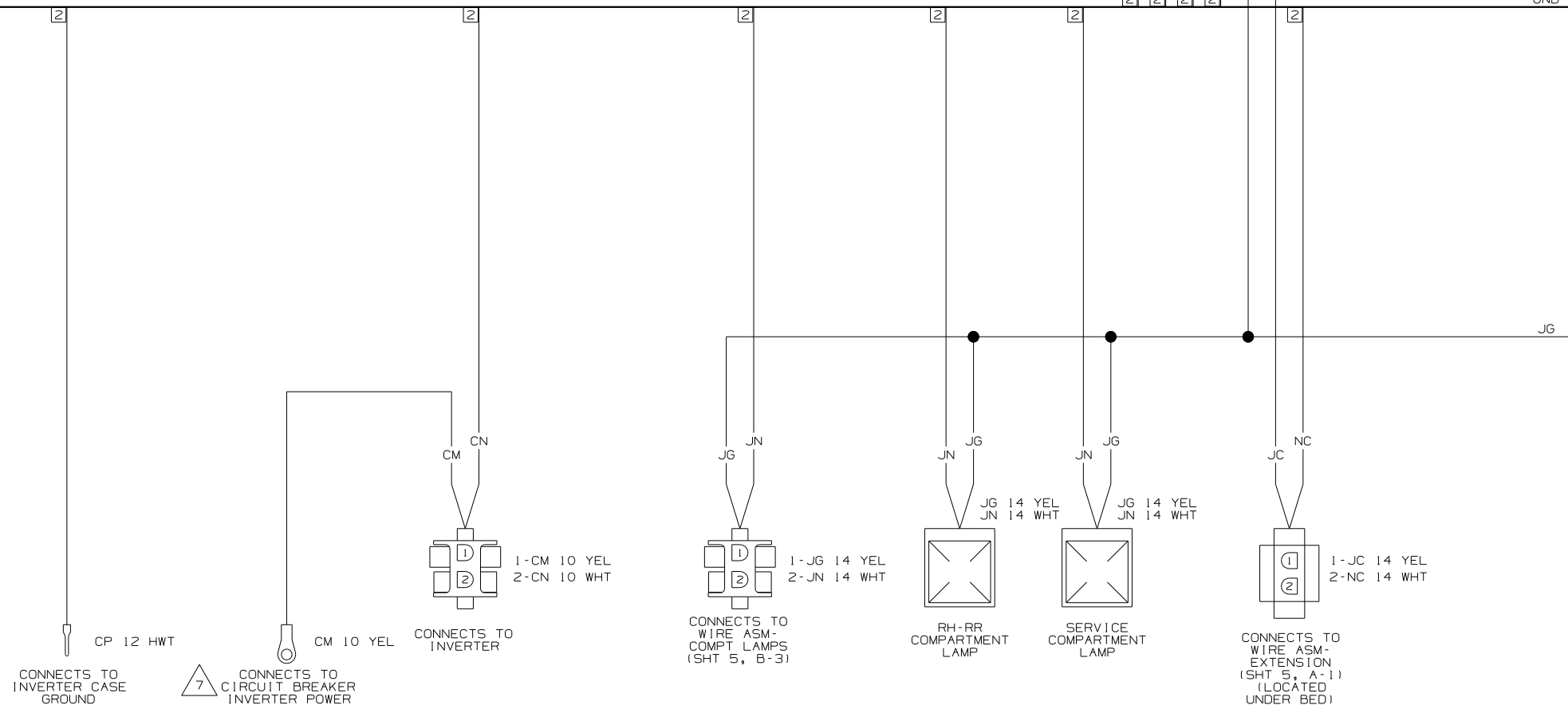
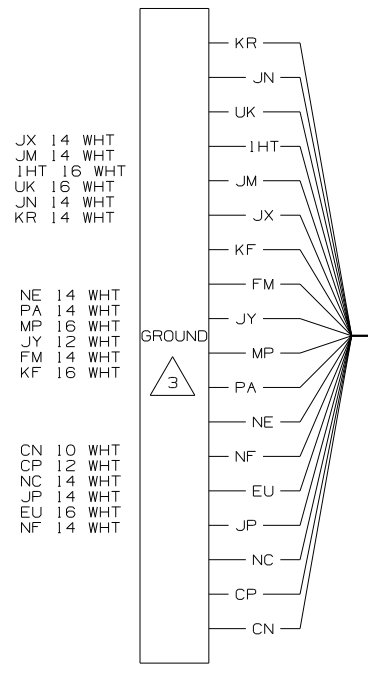
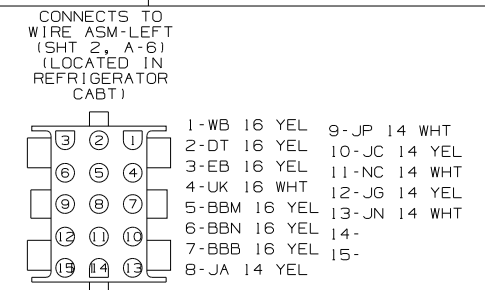
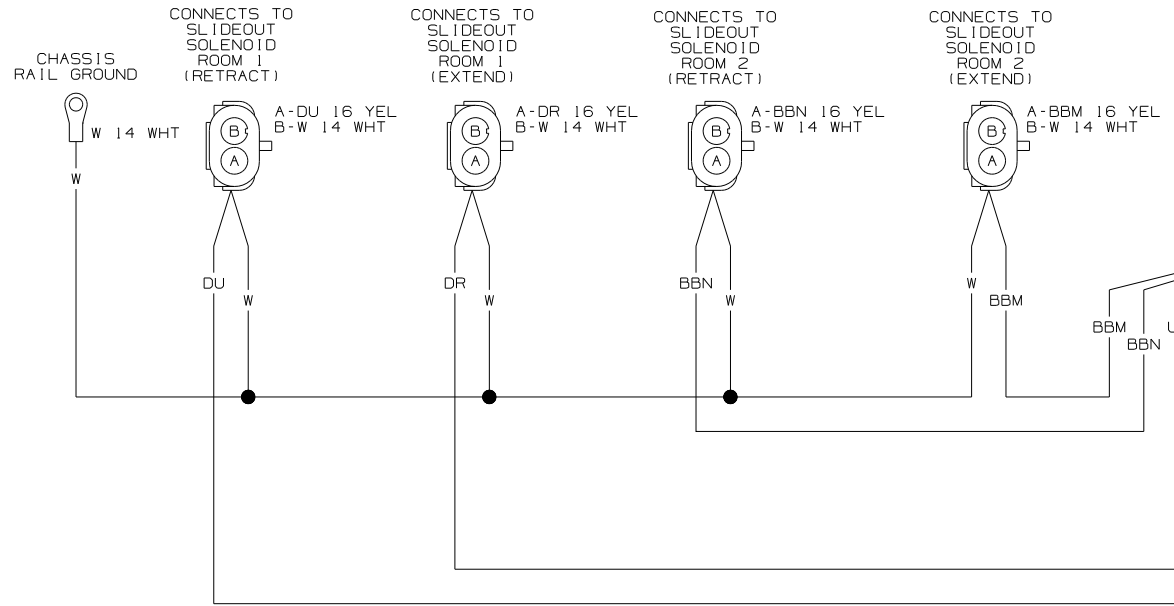
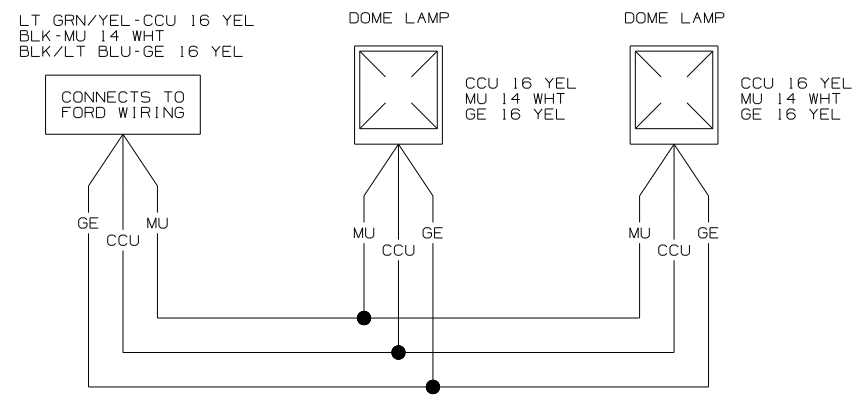
- FORD DASH WIRING
- DY 16 WHT
- EMERGENCY BRAKE SWITCH
- DY 16 WHT

- CONNECTS TO WIRE ASM-RIGHT (SHT 3, D-15) (LOCATED IN GALLEY CABT)
- 1-JP 14 WHT
  - 2-KR 14 WHT
  - 3-JX 14 WHT
  - 4-NC 14 WHT
  - 5-NE 14 WHT
  - 6-NF 14 WHT
  - 7-IHS 16 YEL
  - 8-IHT 16 WHT
  - 9-JG 14 YEL

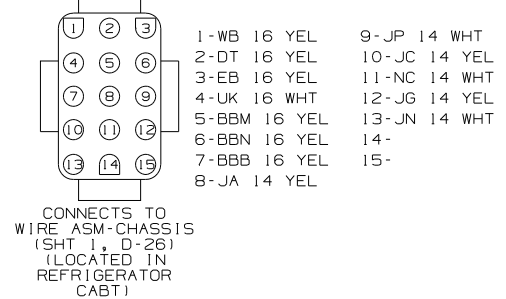
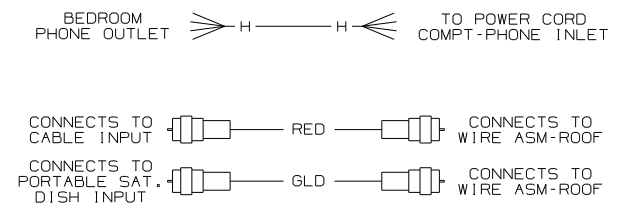
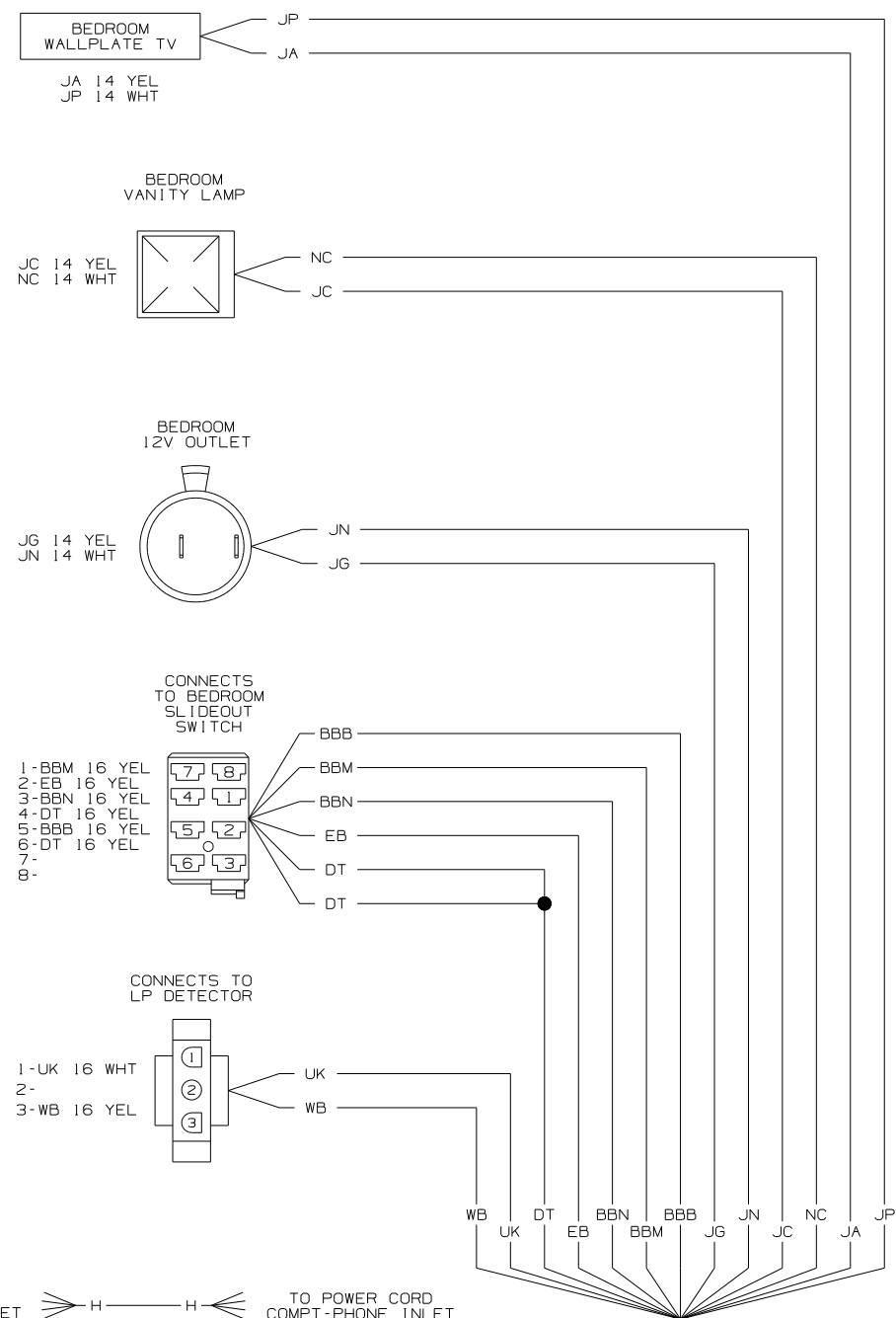
- CONNECTS TO WIRE ASM-ELECTRICAL BOX (SHT 1, D-5) (LOCATED IN STORAGE COMPT IN FRONT OF ENTRANCE STEPS)
- 1-
  - 2-
  - 3-ER 16 YEL
  - 4-
  - 5-LG 16 YEL
  - 6-FM 14 WHT
  - 7-LR 14 YEL
  - 8-IHS 16 YEL
  - 9-WH 14 YEL
  - 10-KE 14 YEL
  - 11-LH 16 YEL
  - 12-
  - 13-LJ 16 YEL
  - 14-LS 16 YEL
  - 15-KA 12 YEL

- CONNECTS TO BATTERY CHANGEOVER SWITCH
- 1-LS 16 YEL
  - 2-LR 14 YEL
  - 3-KE 14 YEL
  - 4-
  - 5-
  - 6-
  - 7-
  - 8-

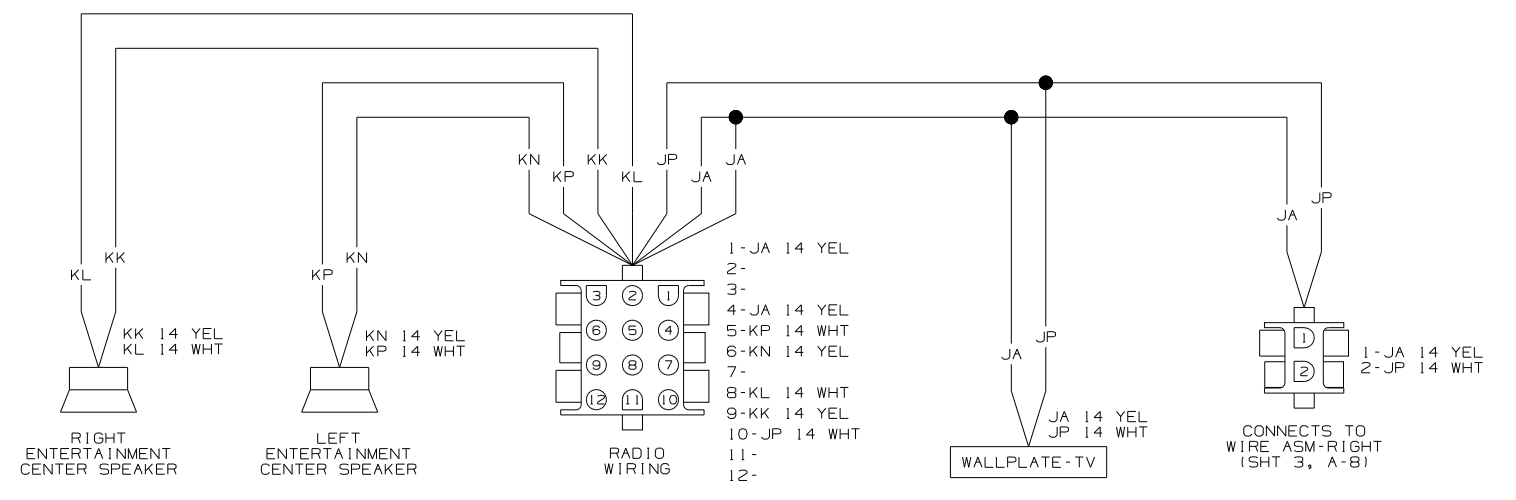
- CONNECTS TO WIRE ASM-RIGHT (SHT 3, A-13) (LOCATED IN GALLEY CABT)
- 1-JA 12 YEL
  - 2-GL 16 WHT
  - 3-JS 12 YEL
  - 4-JT 16 YEL
  - 5-XJ 16 YEL
  - 6-XK 16 YEL
  - 7-LH 16 YEL
  - 8-LJ 16 YEL
  - 9-LG 16 YEL
  - 10-ER 16 YEL
  - 11-ES 16 YEL
  - 12-LL 16 WHT
  - 13-LM 16 WHT
  - 14-LN 16 WHT
  - 15-LP 16 YEL



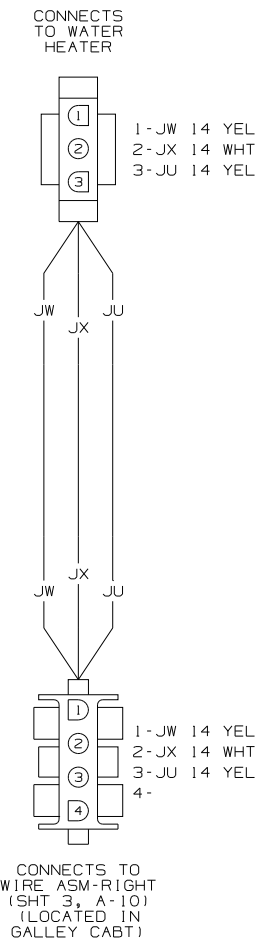
- 7 SEE WIRING DIAGRAM-ELECTRICAL BOX FOR ADDITIONAL INFORMATION.
- 6 SEE WIRING DIAGRAM-CHASSIS FOR ADDITIONAL INFORMATION.
- 5 SEE WIRING DIAGRAM-AUTO FOR ADDITIONAL INFORMATION.
- 4 SEE MANUFACTURERS DIAGRAM FOR ADDITIONAL INFORMATION.
- 3 GROUNDS ARE SHOWN AS A SINGLE LINE FOR EASE IN TRACING. EACH GROUND CIRCUIT IS SEPERATE IN THE HARNESS.
- 2 NOT A SPLICE POINT. INDICATES ENTRY INTO WIRING HARNESS.
1. SPLICES ARE THEORETICAL AND MAY DIFFER IN THE HARNESS.



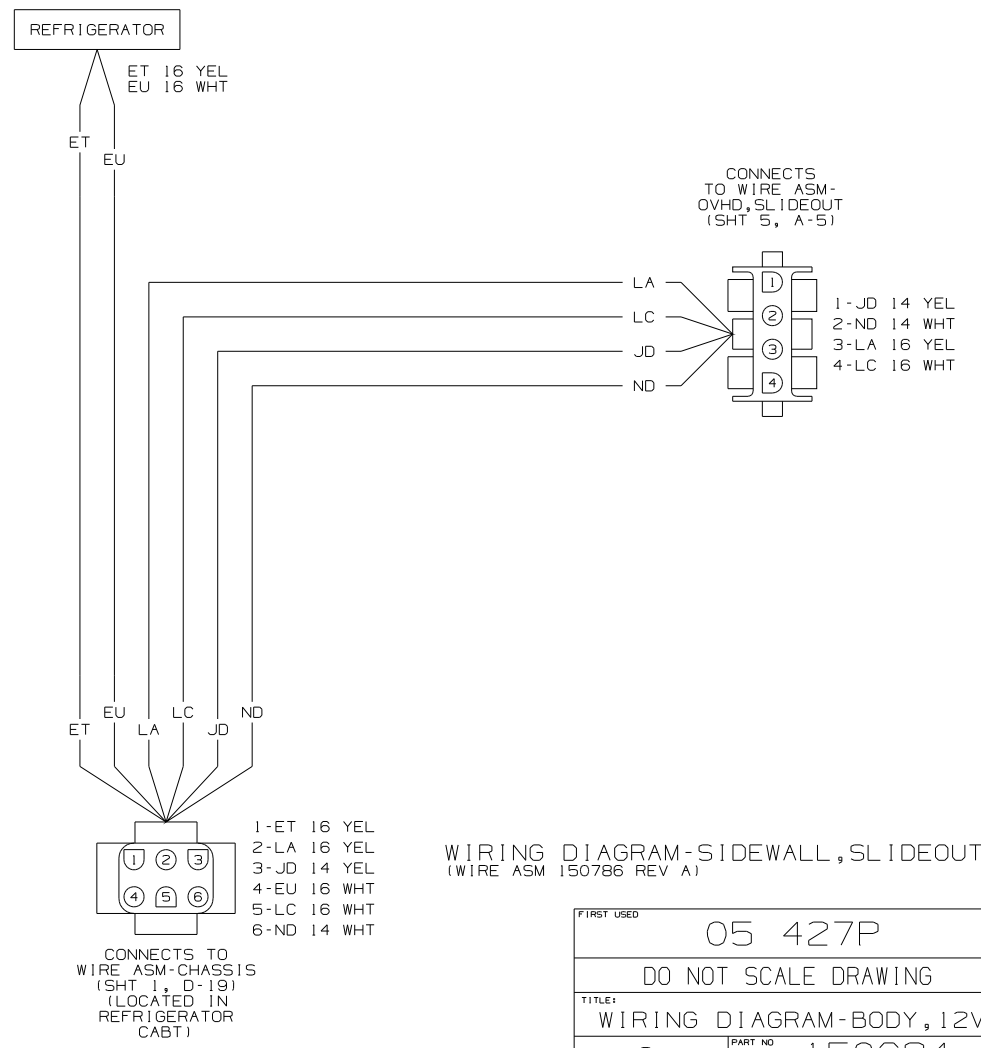
**WIRING DIAGRAM-LEFT**  
(WIRE ASM 146681 REV-A)



**WIRING DIAGRAM-ENTERTAINMENT CENTER**  
(WIRE ASM 125853-04 REV-L)



**WIRING DIAGRAM-JUMPER, WTR HTR**  
(WIRE ASM 142263 REV-A)



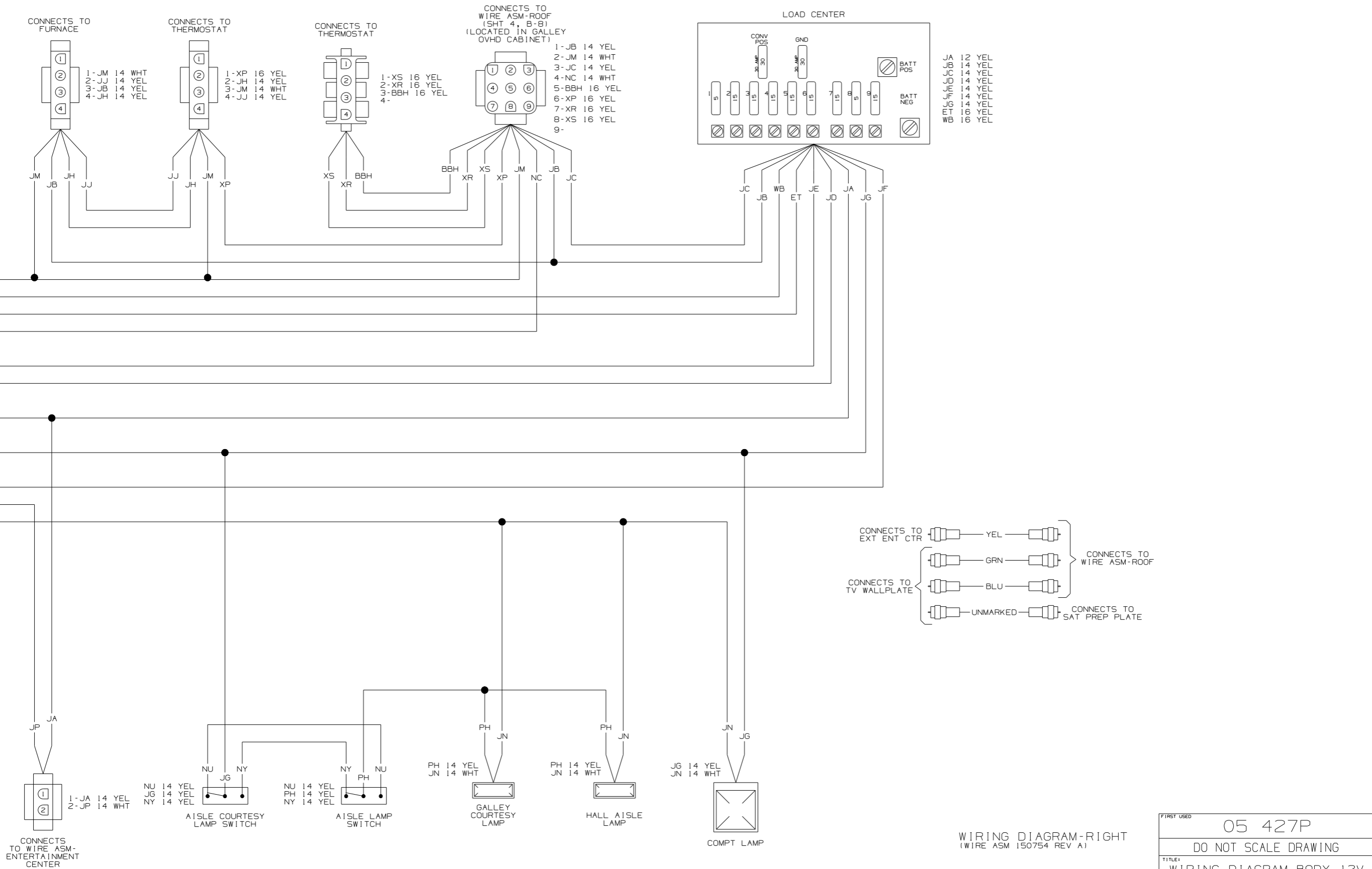
**WIRING DIAGRAM-SIDEWALL, SLIDEOUT**  
(WIRE ASM 150786 REV A)

FIRST USED	05 427P
TITLE	DO NOT SCALE DRAWING
TITLE	WIRING DIAGRAM-BODY, 12V
SHEET 2	PART NO 150684

**NOTES:**

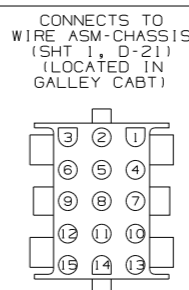
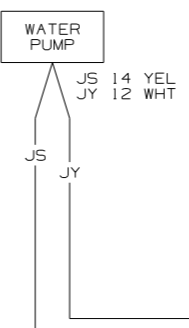
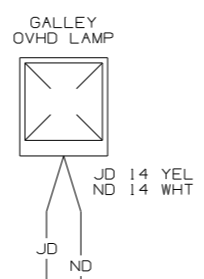
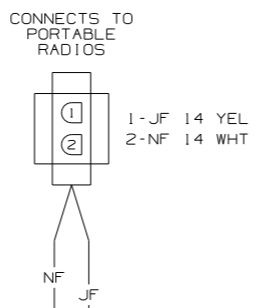
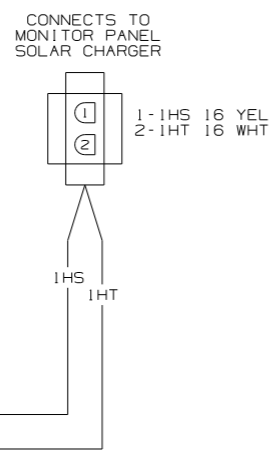
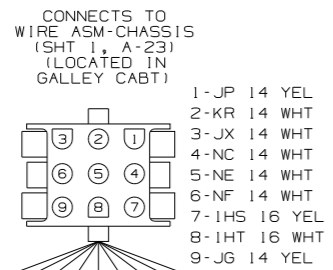
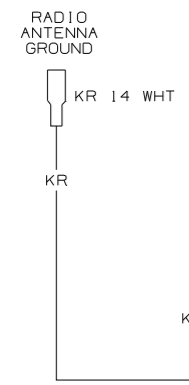
2 SEE WIRING DIAGRAM-AUTO FOR ADDITIONAL INFORMATION.

1 SEE MANUFACTURERS DIAGRAM FOR ADDITIONAL INFORMATION.

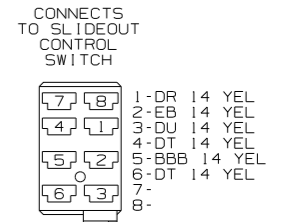


WIRING DIAGRAM-RIGHT (WIRE ASM 150754 REV A)

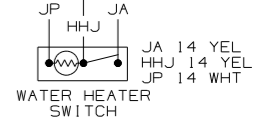
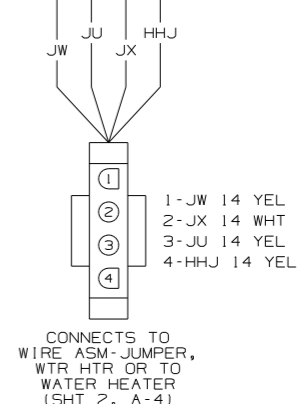
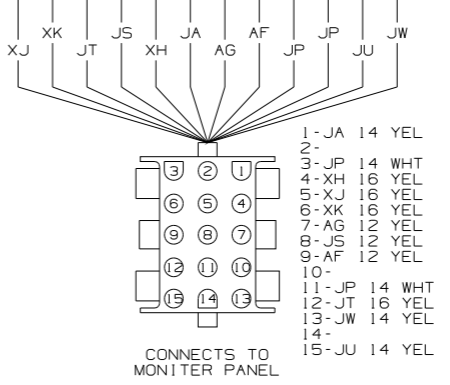
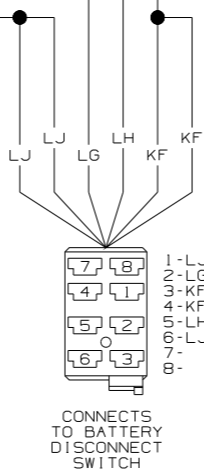
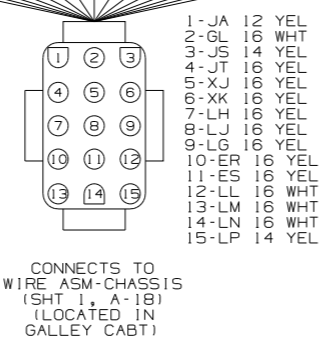
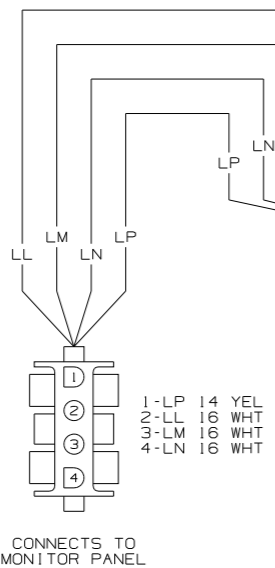
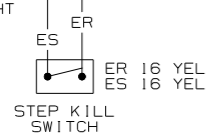
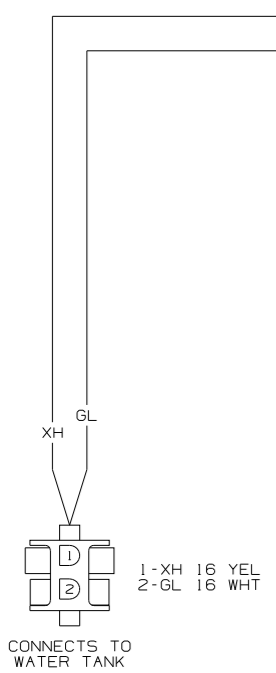
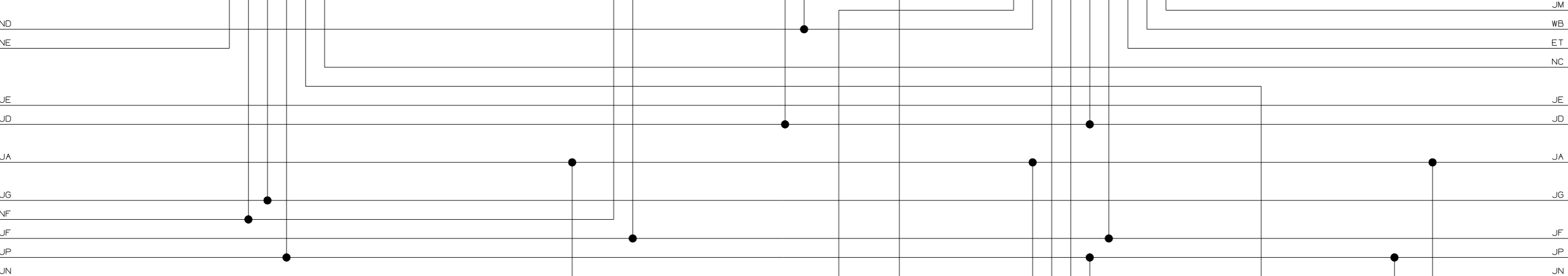
FIRST USED	05 427P
TITLE	DO NOT SCALE DRAWING
TITLE	WIRING DIAGRAM-BODY, 12V
SHEET 3	PART NO 150687



- 1-DU 14 YEL
- 2-DT 14 YEL
- 3-DR 14 YEL
- 4-BBB 14 YEL
- 5-JY 12 WHT
- 6-EB 14 YEL
- 7-AG 12 YEL
- 8-KF 16 WHT
- 9-AF 12 YEL
- 10-WB 16 YEL
- 11-JF 14 YEL
- 12-ET 16 YEL
- 13-JM 14 WHT
- 14-JD 14 YEL
- 15-ND 14 WHT

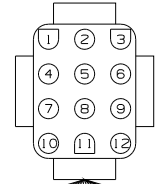


- 1-DR 14 YEL
- 2-EB 14 YEL
- 3-DU 14 YEL
- 4-DT 14 YEL
- 5-BBB 14 YEL
- 6-DT 14 YEL
- 7-
- 8-

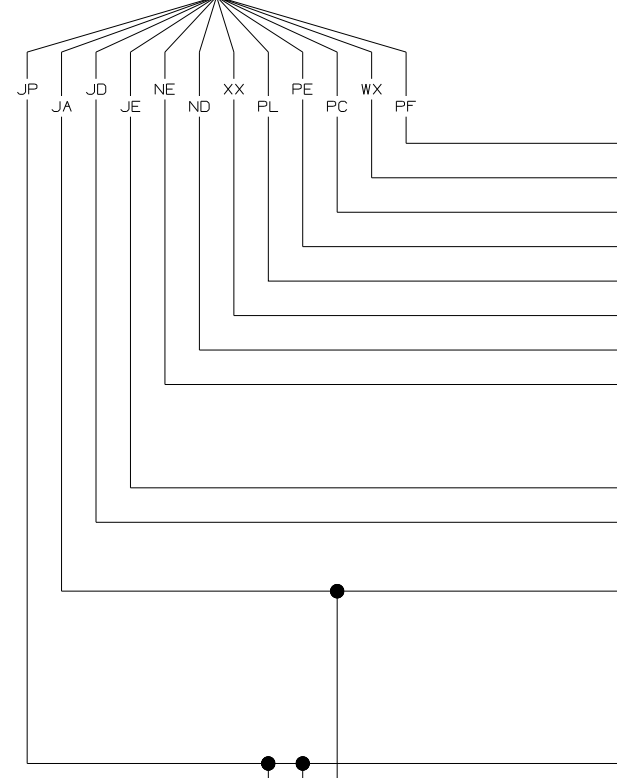




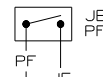
CONNECTS TO WIRE ASM-ROOF (SHT 4, D-23) (LOCATED IN GALLEY OVHD CABT BEHIND MOINTOR PANEL)



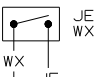
- 1-PC 14 YEL
- 2-PE 14 YEL
- 3-PF 14 YEL
- 4-PL 14 YEL
- 5-WX 14 YEL
- 6-XX 14 YEL
- 7-JA 14 YEL
- 8-JP 14 YEL
- 9-JD 14 YEL
- 10-ND 14 WHT
- 11-JE 14 YEL
- 12-NE 14 WHT



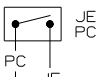
SHOWER LAMP SWITCH



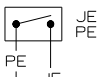
HALL LAMP SWITCH



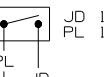
BEDROOM CEILING LAMP SWITCH



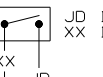
BATHROOM CEILING LAMP SWITCH



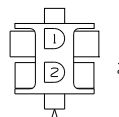
LOUNGE CEILING LAMP SWITCH



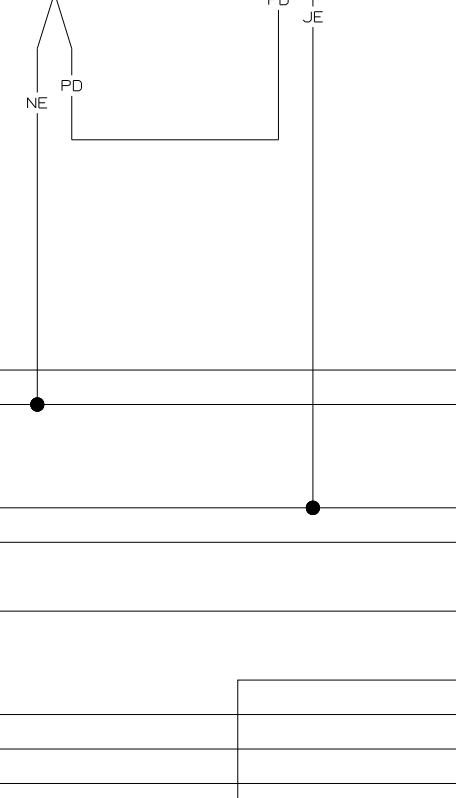
DINETTE CEILING LAMP SWITCH



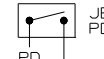
CONNECTS TO WIRE ASM-EXTENSION, 2 PIN (SHT 5, B-6) (LOCATED IN BATH CABT)



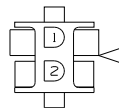
- 1-PD 14 YEL
- 2-NE 14 WHT



MAKEUP LAMP SWITCH

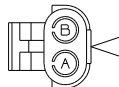


CONNECTS TO MONITOR PANEL SOLAR CHARGER



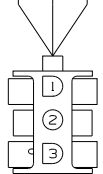
- 1-HS 16 YEL
- 2-HT 16 WHT

CONNECTS TO SOLAR PANEL



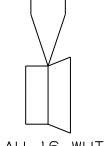
- A-HS 16 YEL
- B-HT 16 WHT

RANGE HOOD

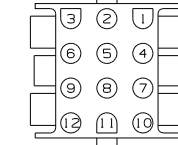


- 1-JA 14 YEL
- 2-JP 14 WHT
- 3-JP 14 WHT

SUBWOOFER



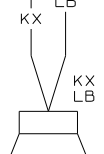
- AAU 16 WHT
- AAT 16 YEL



CONNECTS TO WIRE ASM-TV, FRONT (SHT 6, B-8) (LOCATED IN GALLEY OVHD CABT BEHIND MONITOR PANEL)

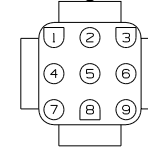
- 1-JF 14 YEL
- 2-NF 14 WHT
- 3-JE 14 YEL
- 4-NE 14 WHT
- 5-WN 16 YEL
- 6-KX 16 YEL
- 7-LB 16 WHT
- 8-LA 16 YEL
- 9-LC 16 WHT
- 10-AAT 16 YEL
- 11-AAU 16 WHT
- 12-

RH RADIO SPEAKER



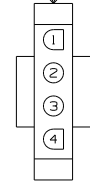
- KX 16 YEL
- LB 16 WHT

CONNECTS TO WIRE ASM-CHASSIS (SHT 1, A-17) (LOCATED IN GALLEY CABT)



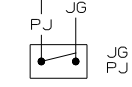
- 1-LA 16 YEL
- 2-LC 16 WHT
- 3-KX 16 YEL
- 4-LB 16 WHT
- 5-JN 14 WHT
- 6-WN 16 YEL
- 7-WL 14 YEL
- 8-WM 14 WHT
- 9-

CONNECTS TO WIRE ASM-SIDEWALL, RIGHT (SHT 5, D-6) (LOCATED IN GALLEY CABT)



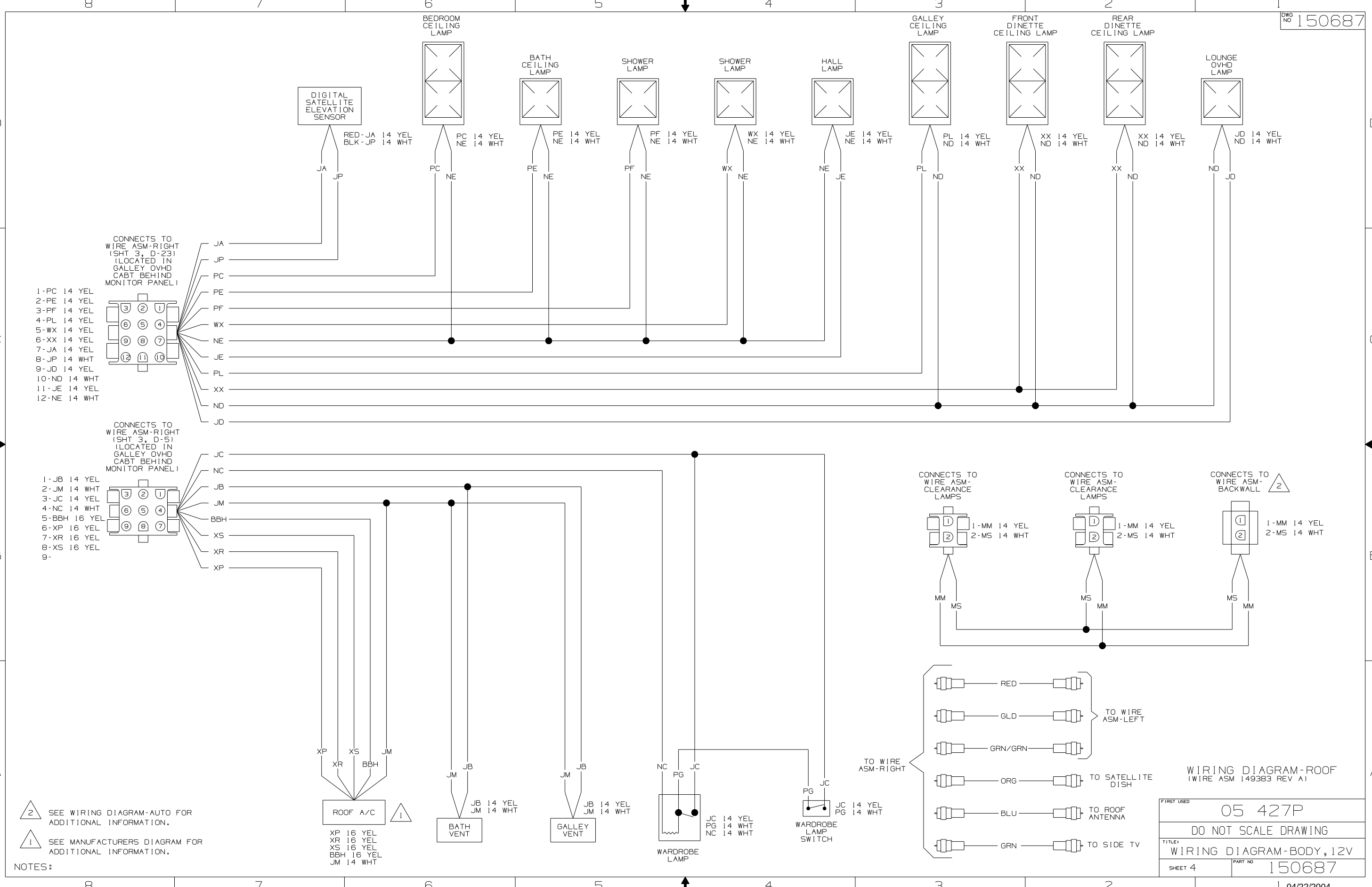
- 1-PJ 14 YEL
- 2-JN 14 WHT
- 3-WL 14 YEL
- 4-WM 14 WHT

PORCH LAMP SWITCH



- JG 14 YEL
- PJ 14 YEL

NOTES:  
 2 SEE WIRING DIAGRAM-AUTO FOR ADDITIONAL INFORMATION.  
 1 SEE MANUFACTURERS DIAGRAM FOR ADDITIONAL INFORMATION.



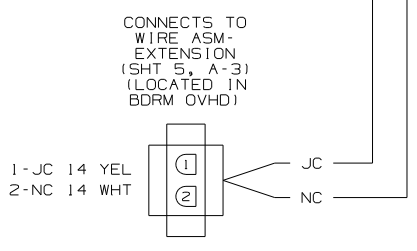
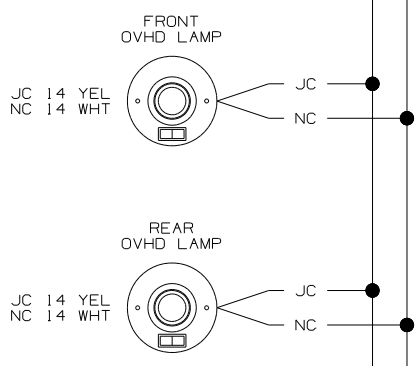
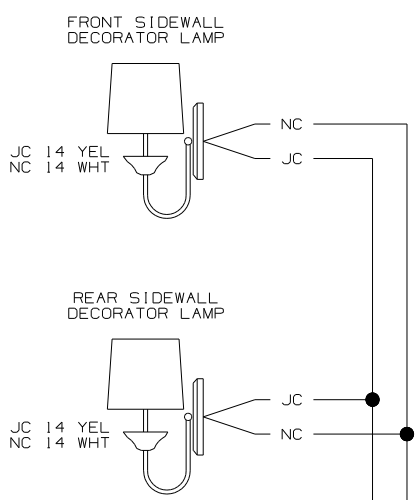
NOTES:

△ SEE WIRING DIAGRAM-AUTO FOR ADDITIONAL INFORMATION.

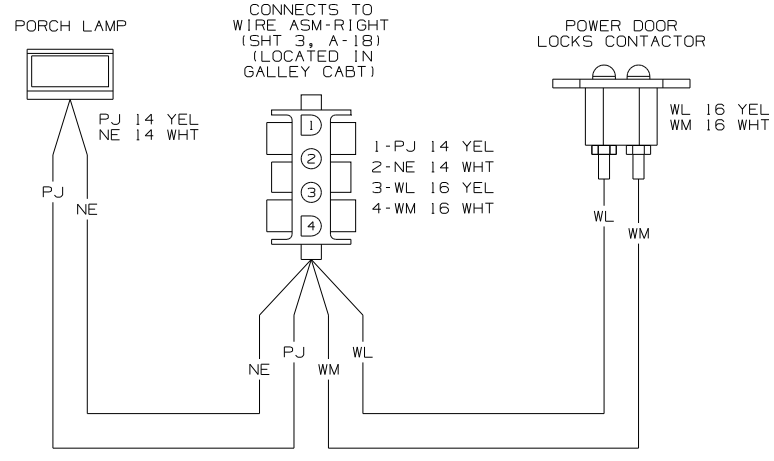
△ SEE MANUFACTURERS DIAGRAM FOR ADDITIONAL INFORMATION.

**WIRING DIAGRAM-ROOF**  
(WIRE ASM 149383 REV A)

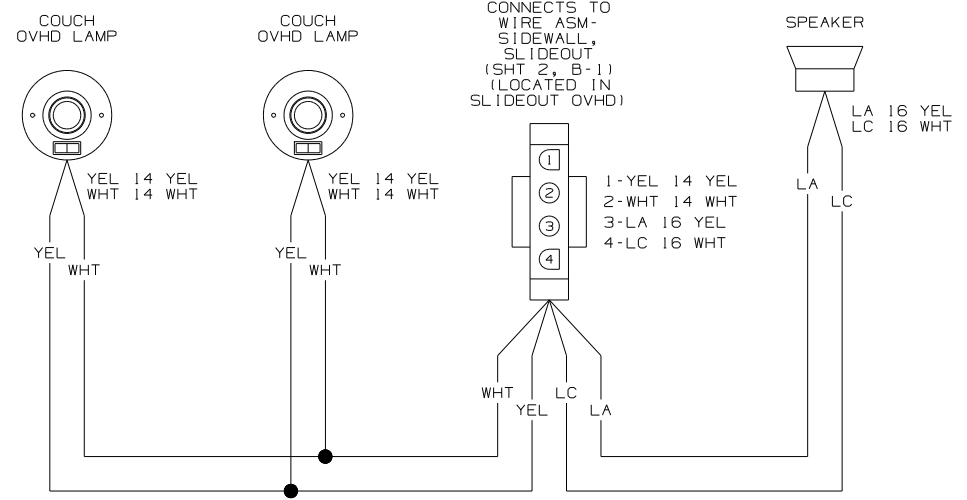
FIRST USED	05 427P
DO NOT SCALE DRAWING	
TITLE:	WIRING DIAGRAM-BODY, 12V
SHEET 4	PART NO 150687



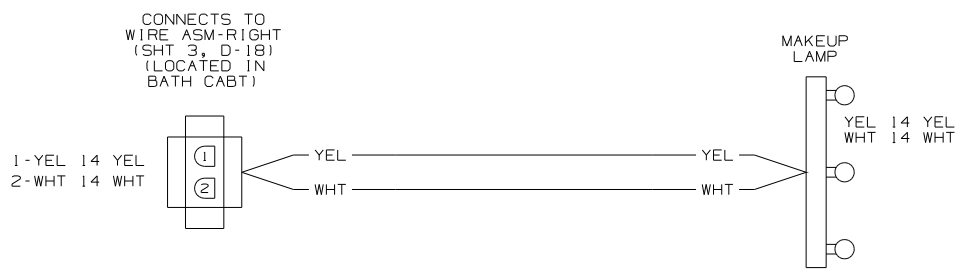
WIRING DIAGRAM-OVHD  
(WIRE ASM 139862 REV-B)



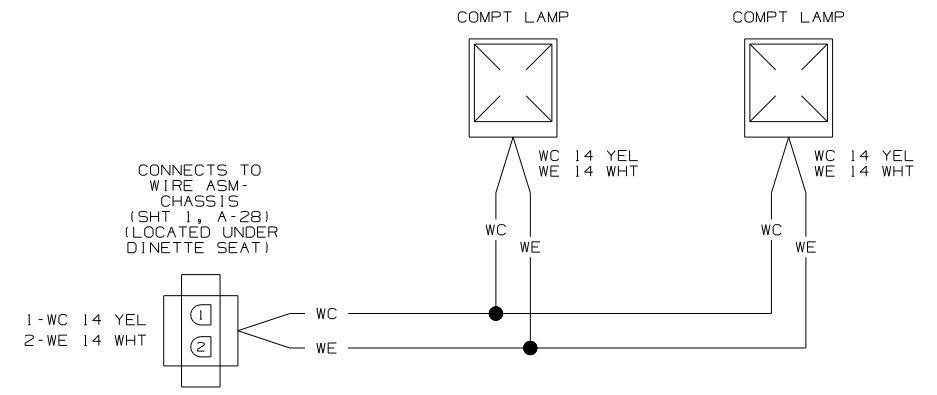
WIRING DIAGRAM-SIDEWALL, RIGHT  
(WIRE ASM 139594-01 REV-E)



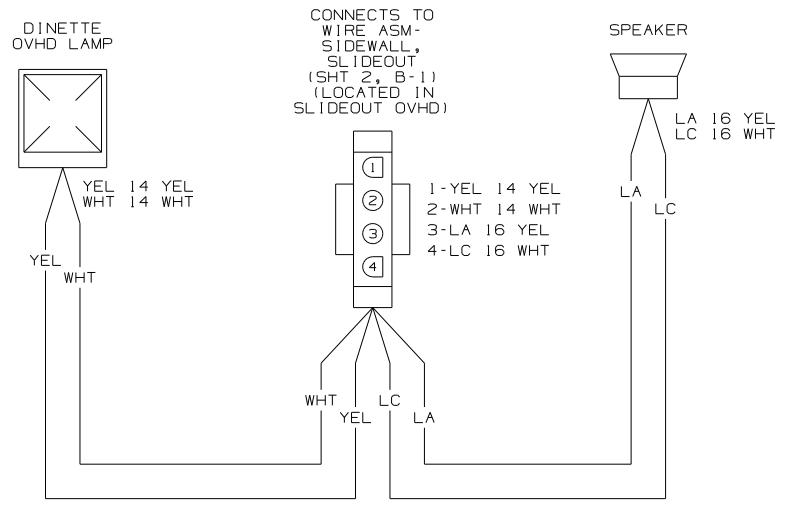
WIRING DIAGRAM-OVHD, SLIDEOUT  
(WIRE ASM 150395 REV A)



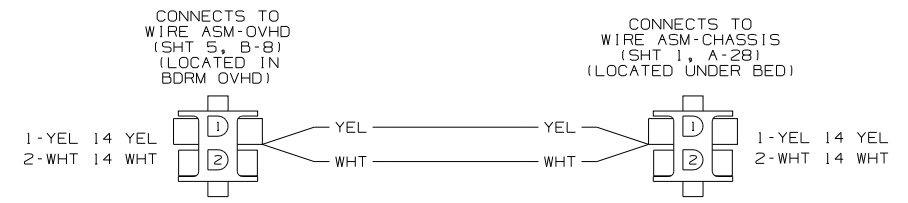
WIRING DIAGRAM-EXTENSION, 2 PIN  
(WIRE ASM 133572-01 REV-E)



WIRING DIAGRAM-COMPT LAMPS  
(WIRE ASM 125266-05 REV-P)



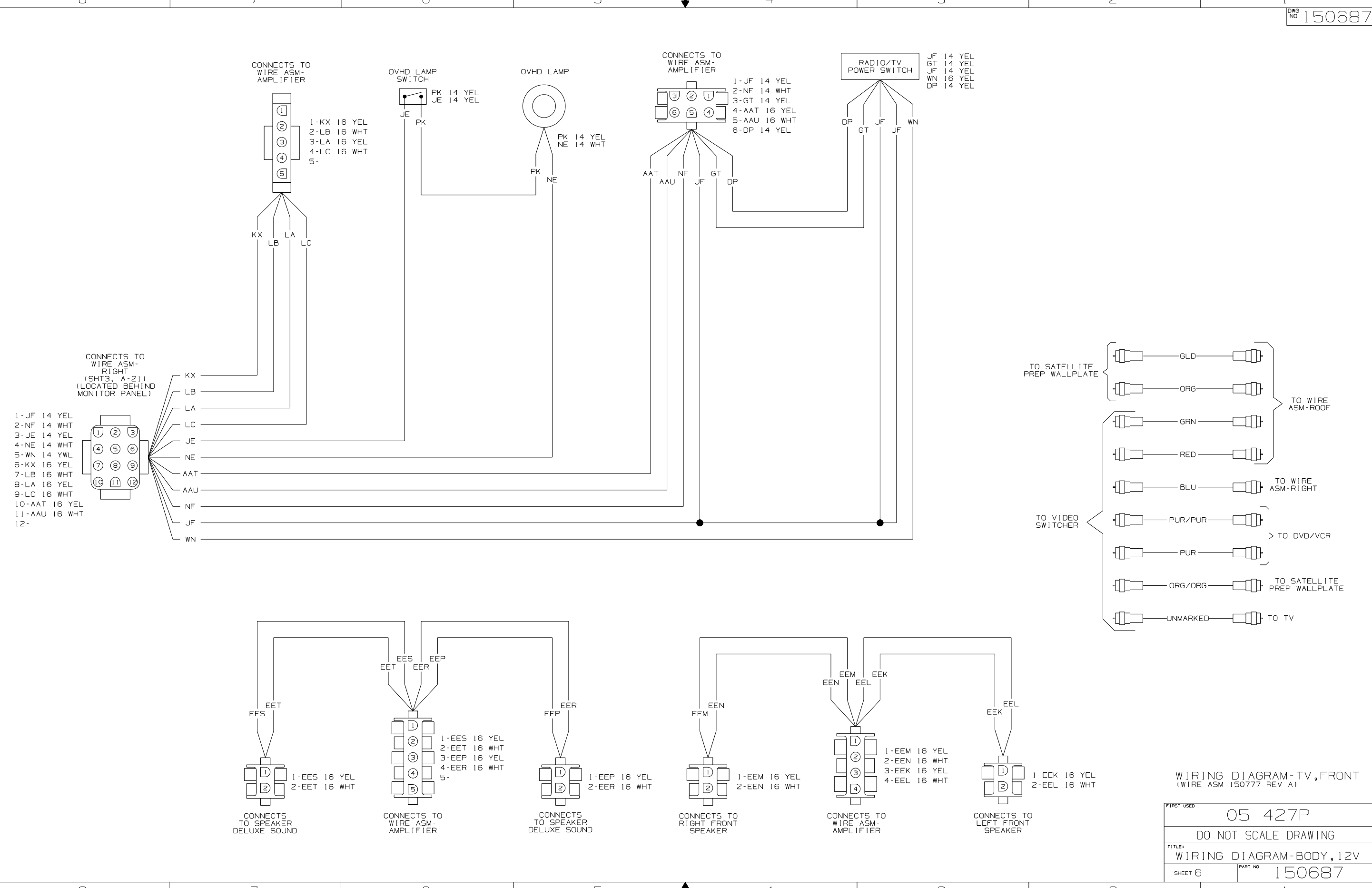
WIRING DIAGRAM-OVHD, SLIDEOUT  
(WIRE ASM 150783 REV A)



WIRING DIAGRAM-EXTENSION  
(WIRE ASM 136700-01 REV-B)

NOTES:  
 2 SEE WIRING DIAGRAM-AUTO FOR ADDITIONAL INFORMATION.  
 1 SEE MANUFACTURERS DIAGRAM FOR ADDITIONAL INFORMATION.

FIRST USED	05 427P
TITLE	DO NOT SCALE DRAWING
TITLE	WIRING DIAGRAM-BODY, 12V
SHEET 5	PART NO 150687



WIRING DIAGRAM-TV, FRONT  
(WIRE ASM 150777 REV A)

FIRST USED	05 427P
DO NOT SCALE DRAWING	
TITLE	WIRING DIAGRAM-BODY, 12V
SHEET 6	PART NO 150687