



DANGER

Danger of electrical shock, burns or death. Always remove all power sources before attempting any repair, service or diagnostic work. Power can be present from shore power, generator, inverter or battery. All power sources must be disabled and secured before performing any service.

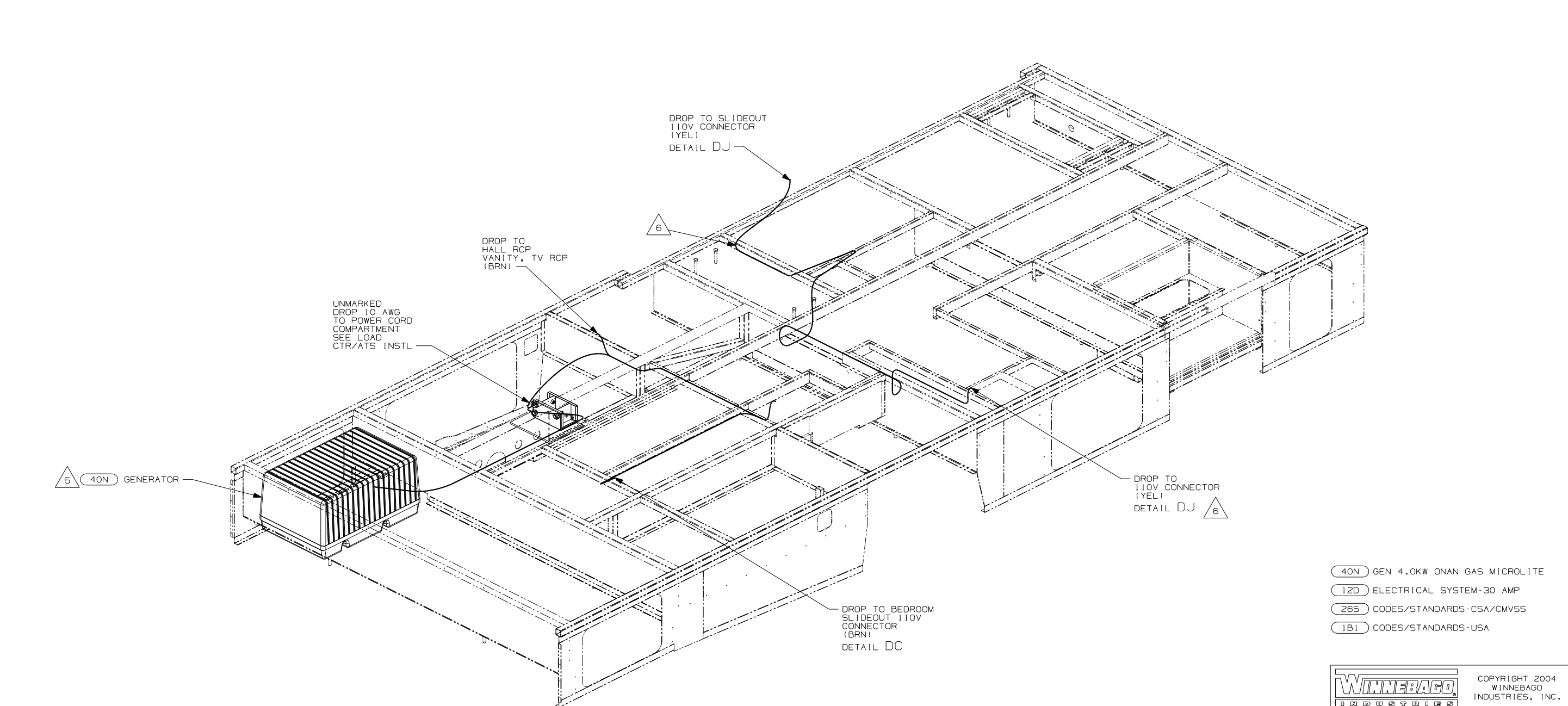


CAUTION

If you lack the skills, tools or equipment to perform diagnostic or repair work leave such work to an authorized Winnebago Industries dealer or other qualified shop.

DRAWING NO.	FEATURE
150683-01	-----
150683-11	(1B1) (12D)
150683-15	(265) (12D)

RELEASE	REV DATE A	DWG NO 150683
REV ZONE	REVISION RECORD	DATE DFR-ORIG



- (40N) GEN 4.0KW ONAN GAS MICROLITE
- (12D) ELECTRICAL SYSTEM-30 AMP
- (265) CODES/STANDARDS-CSA/CMVSS
- (1B1) CODES/STANDARDS-USA

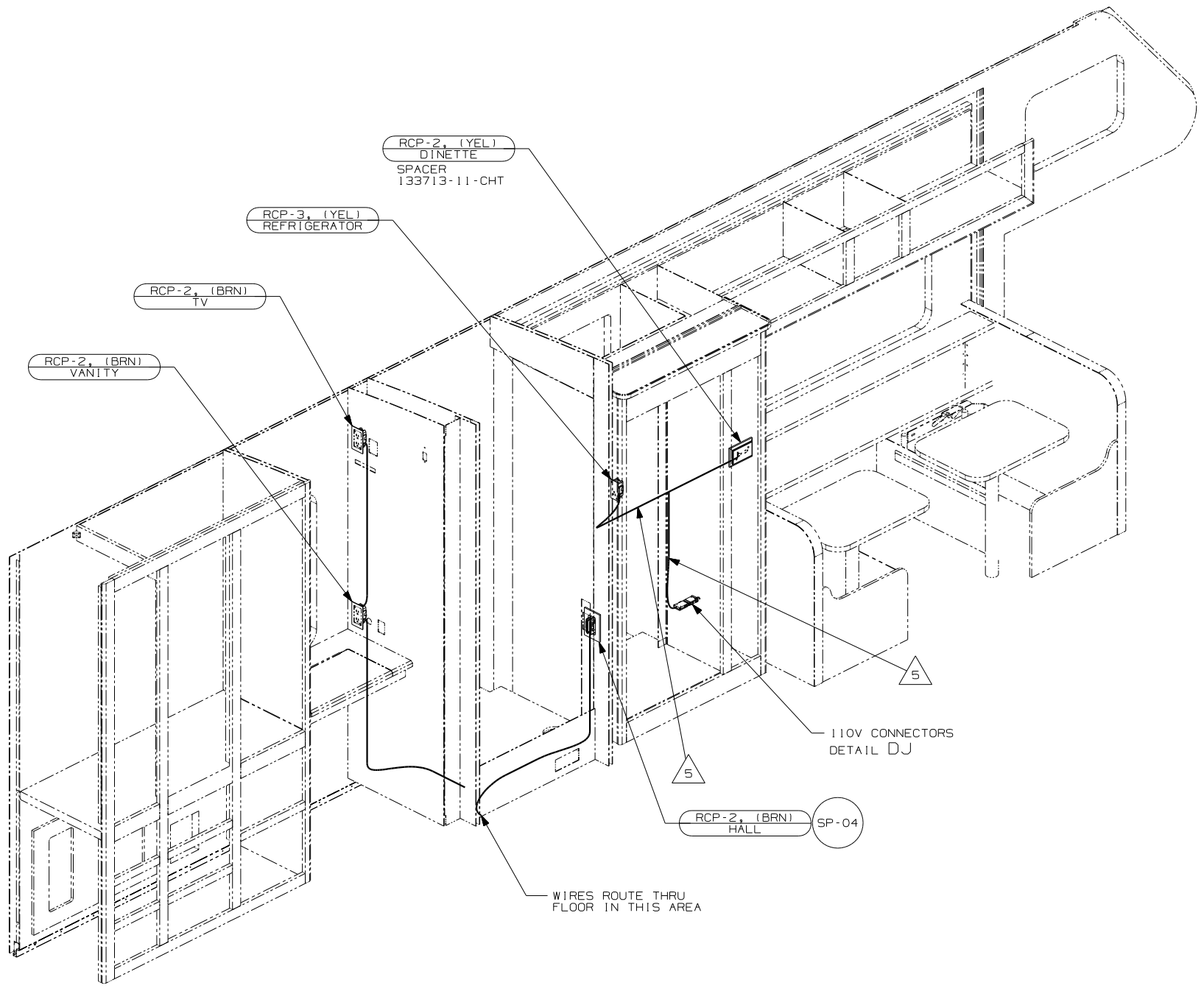
- △ 6 FLEX CORD IS PART OF WIRE ASM CHASSIS.
 △ 5 SEE GENERATOR INSTL FOR ADDITIONAL INFORMATION.
4. SECURE WIRE ASSEMBLY TO FLOOR SUPPORTS OR WIRE TRAYS WITH WIRE TIE 8343-02-000 EVERY 500MM.
 3. ALL GROUND WIRES TO BE COVERED WITH TUBING 8041-02-000.
 2. ALL WIRES TO BE SECURED WITHIN 200MM OF OUTLET BOXES.
 1. ALL WIRES TO BE SECURED WITH CLAMP 10495-01-000 OR CLIP 80734-01-000 EVERY 600MM. USE SCREW 667-10-12B UNLESS OTHERWISE SPECIFIED.

NOTES:

FOR ELECTRICAL TORQUE SPECIFICATIONS SEE DWG NO. 128783-01-000

FOR ELECTRICAL CALLOUTS SEE DWG NO. 121339-01-000

WINNEBAGO		COPYRIGHT 2004 WINNEBAGO INDUSTRIES, INC.	
DFTR	ORIG. DATE	ALL DIMENSIONS ARE IN MILLIMETERS	
CHKR			
P.E.			
M.E.	FIRST USED	05 427P	
DSNR			
UNSPECIFIED TOLERANCES ARE:		MATERIAL:	
WHOLE DIM (X)	:	⚠	
ONE-PLACE (X.X)	:		
TWO-PLACE (X.XX)	:		
ANGLE	:		
THIRD ANGLE PROJECTION	⊕		
DO NOT SCALE DRAWING			
TITLE: WIRING INSTL-BODY, 110V			
SHEET 1 of 4		PART NO 150683	
REF: 146676-G 2/22/2005			



△ WIRES ROUTED IN SIDEWALL

- 4. SEE SHEET 1 FOR BELOW FLOOR ROUTINGS
- 3. ALL GROUND WIRES TO BE COVERED WITH TUBING 8041-02-000.
- 2. ALL WIRES TO BE SECURED WITHIN 200MM OF OUTLET BOXES.
- 1. ALL WIRES TO BE SECURED WITH CLAMP 10495-01-000 OR CLIP 80734-02-000 EVERY 700MM. USE SCREW G67-10-12B UNLESS OTHERWISE SPECIFIED.

NOTES:

- 12D ELECTRICAL SYSTEM-30 AMP
- 265 CODES/STANDARDS-CSA/CMVSS
- 1B1 CODES/STANDARDS-USA

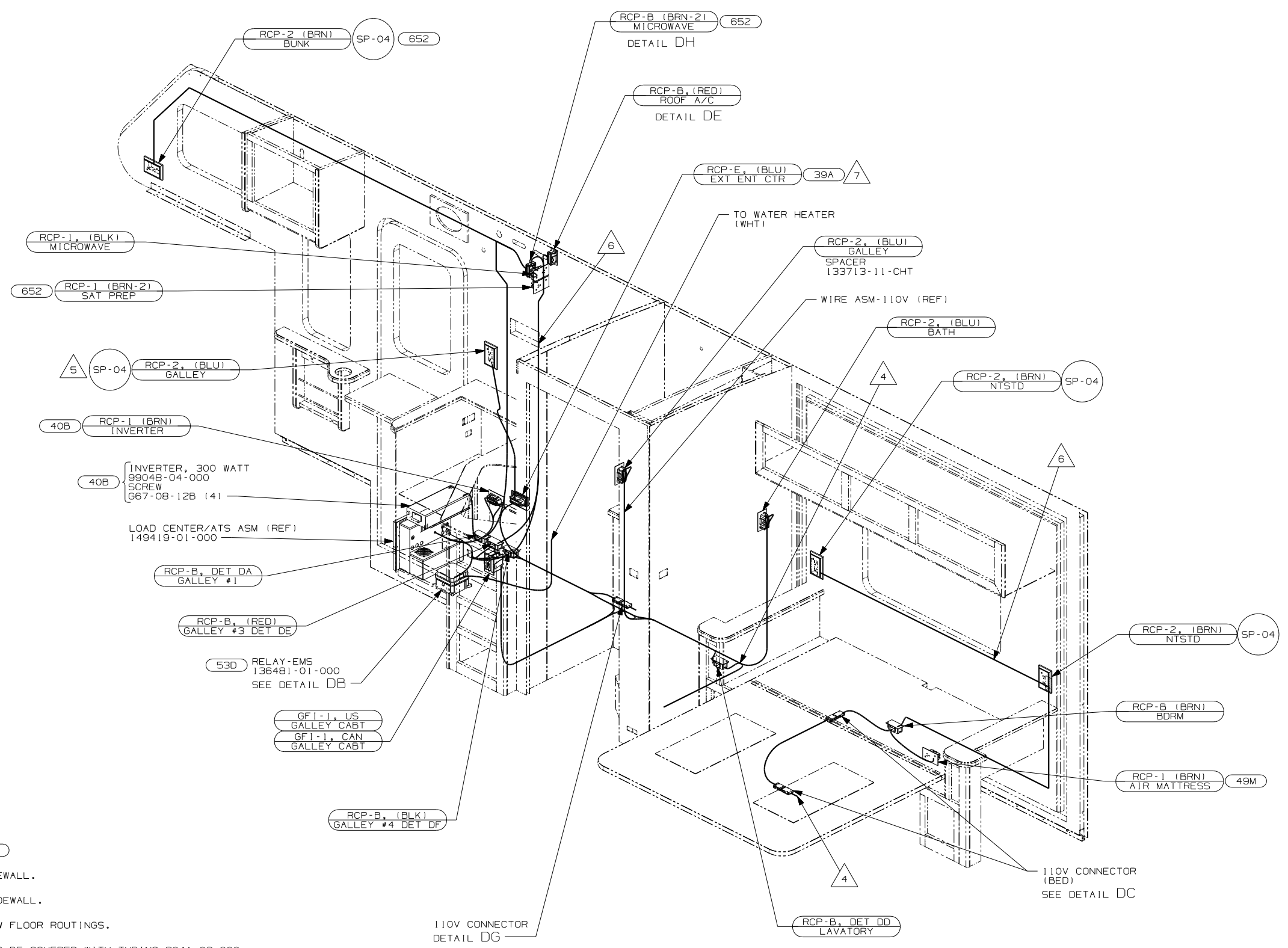
1B1 265 12D

FIRST USED	
05 427P	
DO NOT SCALE DRAWING	
TITLE:	
WIRING INSTL-BODY, 110V	
SHEET 2	PART NO
	150683

FOR ELECTRICAL TORQUE SPECIFICATIONS SEE DWG NO. 128783-01-000

FOR ELECTRICAL CALLOUTS SEE DWG NO. 121339-01-000





- 7 NOT USED WITH 1D5
- 6 WIRE ROUTED IN SIDEWALL.
- 5 ROUTE WIRE THRU SIDEWALL.
- 4 SEE SHT 1 FOR BELOW FLOOR ROUTINGS.

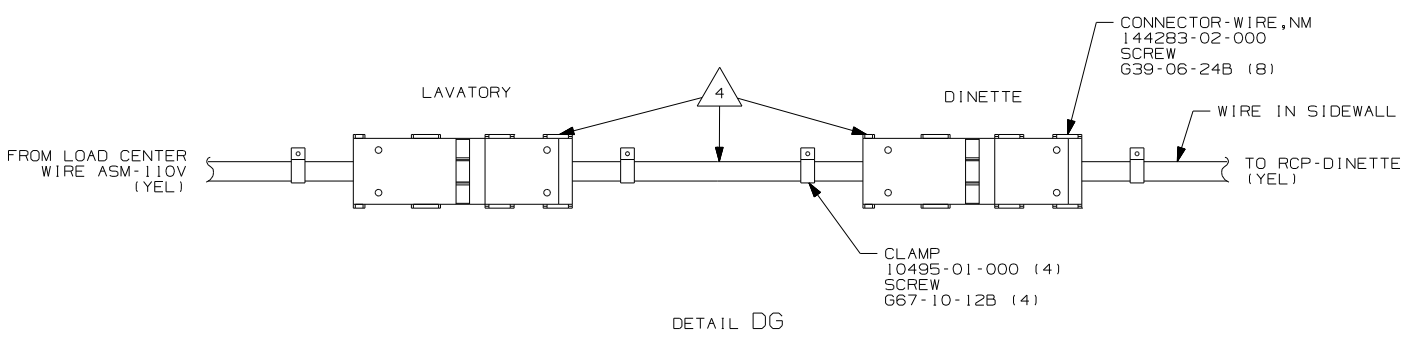
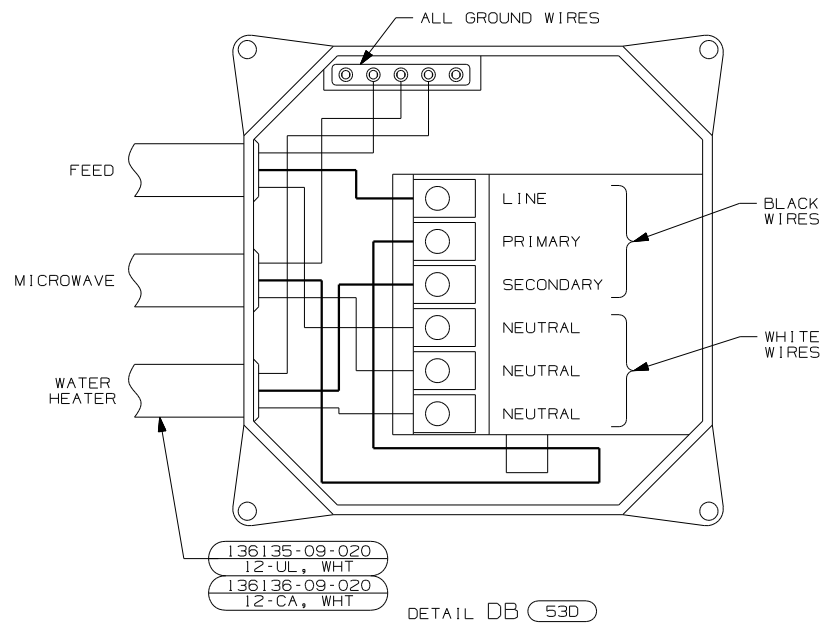
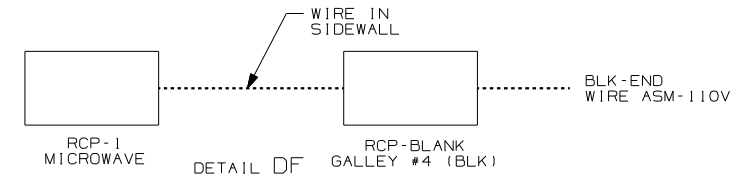
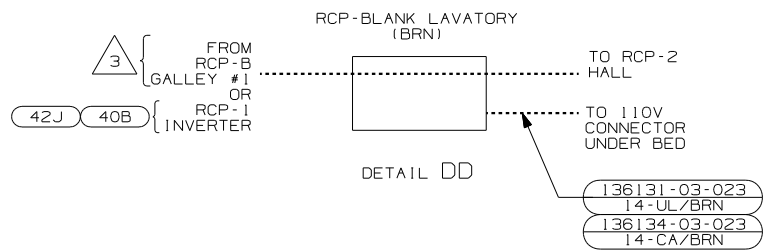
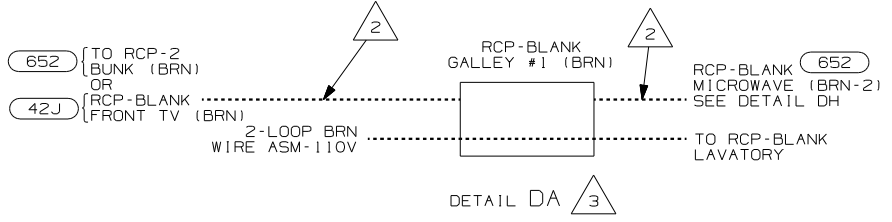
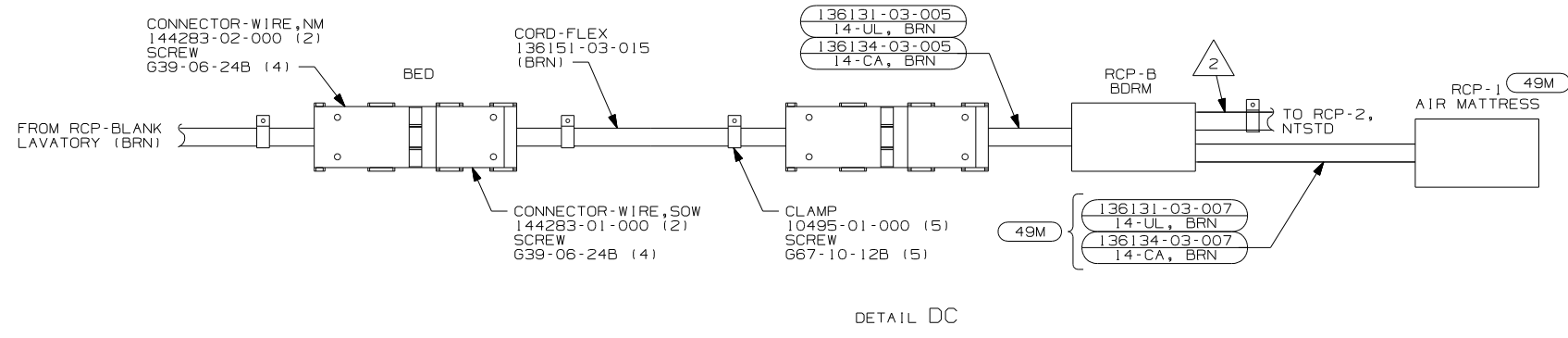
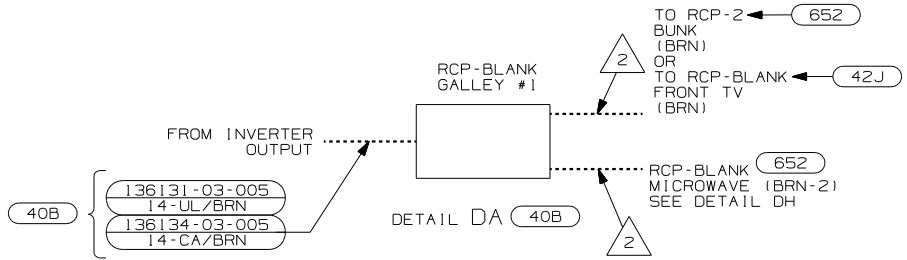
- NOTES:
3. ALL GROUND WIRES TO BE COVERED WITH TUBING 8041-02-000.
 2. ALL WIRES TO BE SECURED WITHIN 200MM OF ANY BOX.
 1. ALL WIRES TO BE SECURED WITH CLAMP 10495-01-000 OR CLIP 80734-02-000 EVERY 700MM. USE SCREW G67-10-12B UNLESS OTHERWISE SPECIFIED.

- 49M SLEEP NUMBER BED-QUEEN SIZE
- 39A EXT RECEPTACLE DPLX 120VAC
- 53D WTR HTR 6GAL/ELEC/LP/MOTOR/1D
- 1D5 ENTERTAINMENT CTR/EXT W/CD
- 652 BUNK-SINGLE, FRONT TV/DVD
- 40B INVERTER-DC/AC, 300 WATT
- 12D ELECTRICAL SYSTEM-30 AMP
- 265 CODES/STANDARDS-CSA/CMVSS
- 1B1 CODES/STANDARDS-USA

FOR ELECTRICAL TORQUE SPECIFICATIONS SEE DWG NO. 128783-01-000

FOR ELECTRICAL CALLOUTS SEE DWG NO. 121339-01-000

FIRST USED	05 427P
TITLE	DO NOT SCALE DRAWING
TITLE	WIRING INSTL-BODY, 110V
SHEET 3	PART NO 150683



- 42J TV-24" COLOR,STEREO W/REMOTE
- 40B INVERTER-DC/AC, 300 WATT
- 652 BUNK-SINGLE, FRONT TV/DVD
- 53D WTR HTR-6GAL/ELE/LP/MOTORAID
- 49M SLEEP NUMBER BED-QUEEN SIZE
- 12D ELECTRICAL SYSTEM 30 AMP
- 265 CODES/STANDARDS-CSA/CMVSS
- 1B1 CODES/STANDARDS USA

- NOTES:
- 4 CORD AND 110V CONNECTORS ARE AN INTEGRAL PART OF WIRE ASM-CHASSIS.
 - 3 WITHOUT 40B
 - 2 WIRE ROUTED IN SIDEWALL.
 - 1 ROUTE WIRE THRU SIDEWALL.

FOR ELECTRICAL TORQUE SPECIFICATIONS SEE DWG NO. 128783-01-000

X-X FOR ELECTRICAL CALLOUTS SEE DWG NO. 121339-01-000

FIRST USED	05 427P
TITLE	DO NOT SCALE DRAWING
TITLE	WIRING INSTL-BODY, 110V
SHEET 4	PART NO 150683