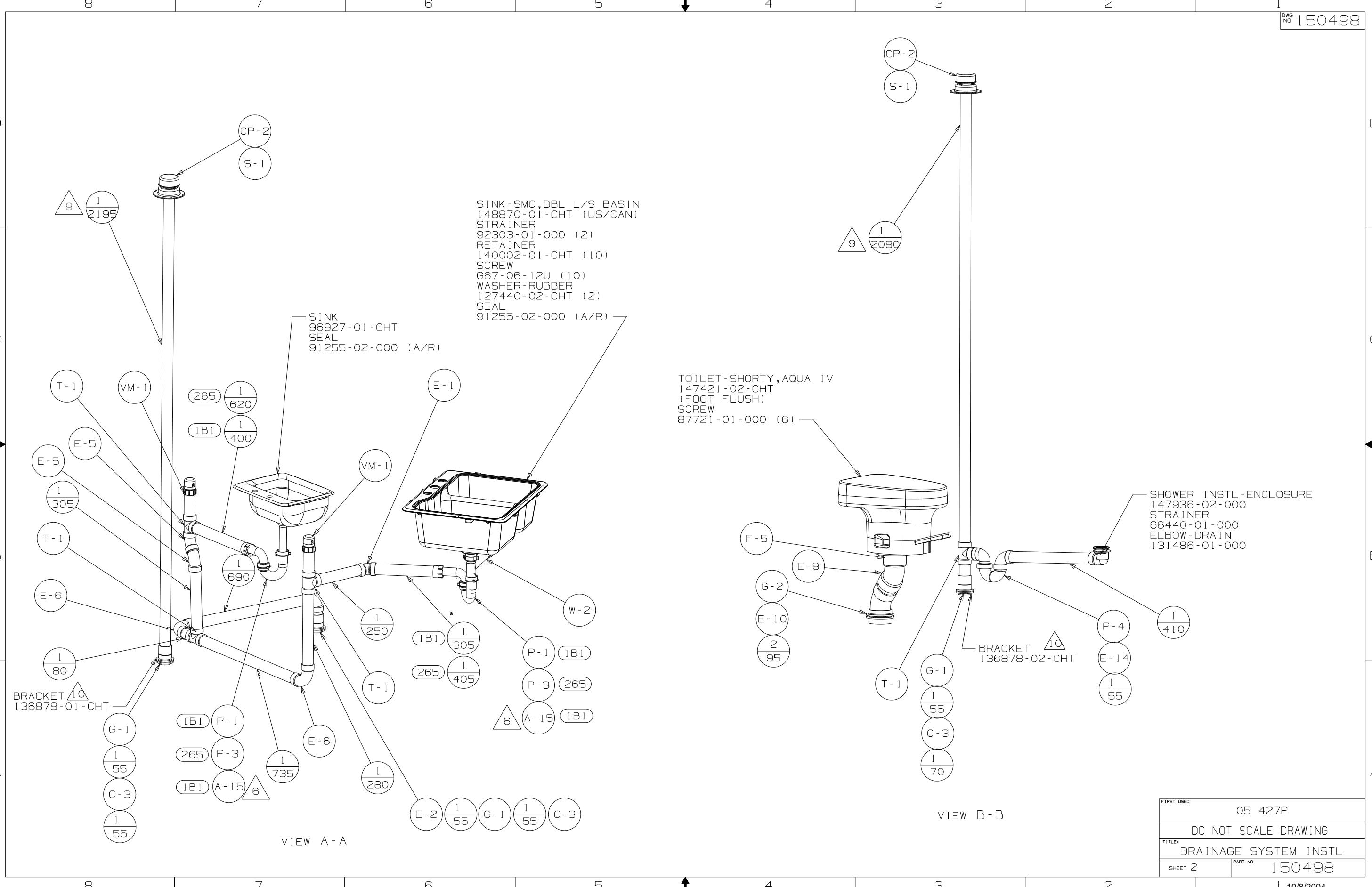


- NOTES:
1. SLOPE OF HORIZONTAL PIPING TO BE 6 PER 305 MIN.
 2. SLOPE OF TRAP ARM MUST BE 6 PER 305.
 3. ALL PIPE AND FITTINGS TO BE ASSEMBLED WITH SOLVENT 4020-01-000.
 4. ALL EXTERIOR OPENINGS AROUND PIPE TO BE SEALED WITH 110744-01-000.
 5. SECURE PIPES TO CABINET USING WIRE TIE 108046-02-000 AND SCREW G67-10-12B (8).
 6. TRIM P-TRAP EXTENSION TO FIT.
 7. SEAL ALL AROUND SHOWER SITH SILICONE.
 8. SEE DRAWING 61607-01-000 FOR INSTL OF GROMMETS.
 9. VENT PIPE MUST PROJECT 51 MM MIN AND 64 MM MAX ABOVE ROOF FOR PROPER FIT AND FUNCTION.
 10. SECURE VENT TUBES TO FLOOR WITH CLAMP 62401-02-000 (2) AND SCREW G67-10-12B (2).

(B1) CODES/STANDARDS USA
 (265) CODES/STDS-CSA/CMVSS

WINNEBAGO		COPYRIGHT 2004 WINNEBAGO INDUSTRIES, INC.	
DFT	ORIG. DATE	ALL DIMENSIONS ARE IN MILLIMETERS	
CHKR			
P.E.			
M.E.			
DSNR	05 427P	FIRST USED	
UNSPECIFIED TOLERANCES ARE:		MATERIAL:	
WHOLE DIM (X)	: 3		
ONE-PLACE (X.X)	:		
TWO-PLACE (X.XX)	:		
ANGLE	:		
THIRD ANGLE PROJECTION			
DO NOT SCALE DRAWING			
TITLE: DRAINAGE SYSTEM INSTL			
SHEET 1 OF 3	PART NO	150498	

(X-X)
 FOR
 DRAINAGE
 CALLOUTS
 SEE DWG NO
 116229-01-000



SINK-SMC, DBL L/S BASIN
 148870-01-CHT (US/CAN)
 STRAINER
 92303-01-000 (2)
 RETAINER
 140002-01-CHT (10)
 SCREW
 G67-06-12U (10)
 WASHER-RUBBER
 127440-02-CHT (2)
 SEAL
 91255-02-000 (A/R)

SINK
 96927-01-CHT
 SEAL
 91255-02-000 (A/R)

TOILET-SHORTY, AQUA IV
 147421-02-CHT
 (FOOT FLUSH)
 SCREW
 87721-01-000 (6)

SHOWER INSTL-ENCLOSURE
 147936-02-000
 STRAINER
 66440-01-000
 ELBOW-DRAIN
 131486-01-000

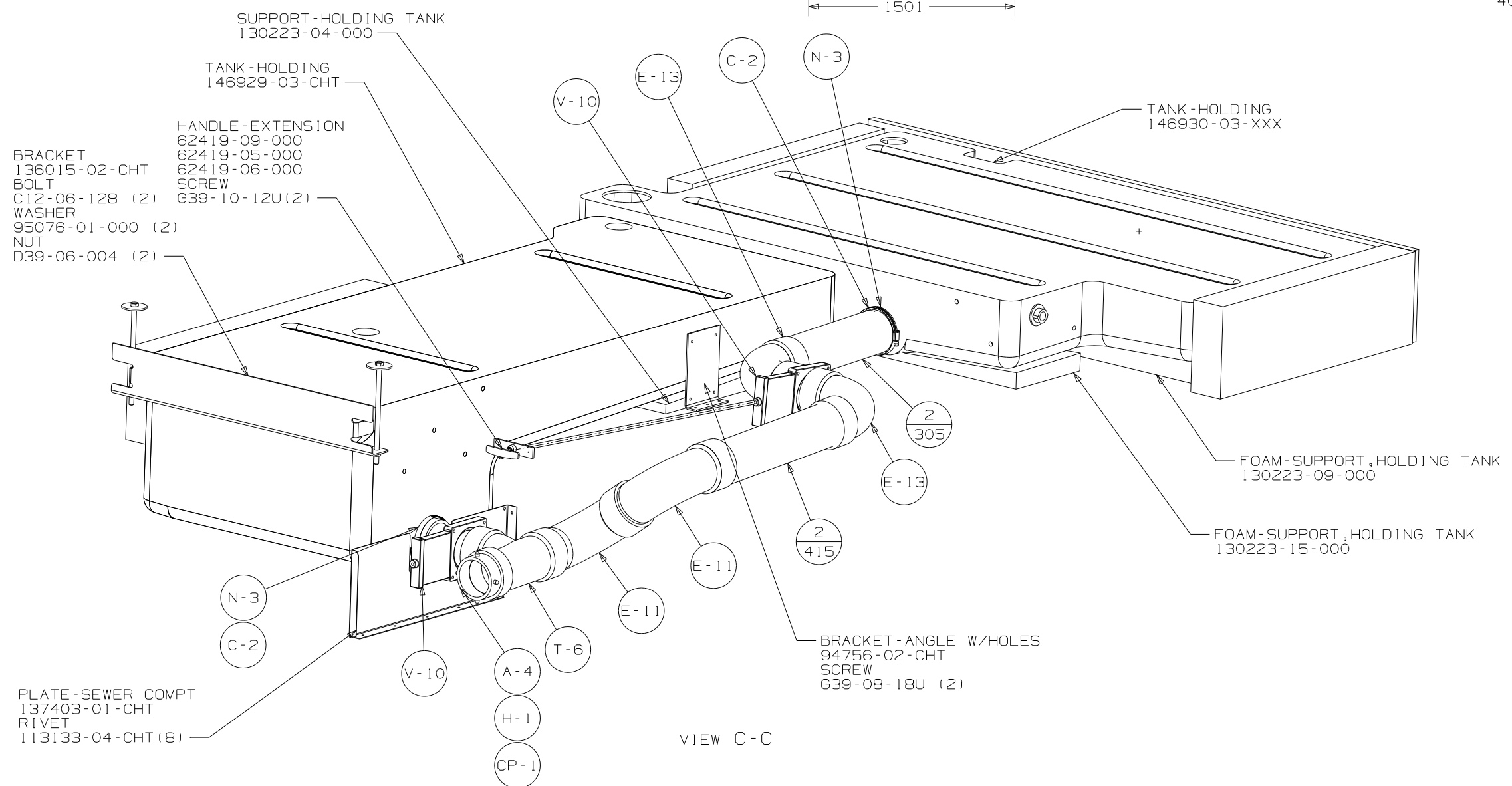
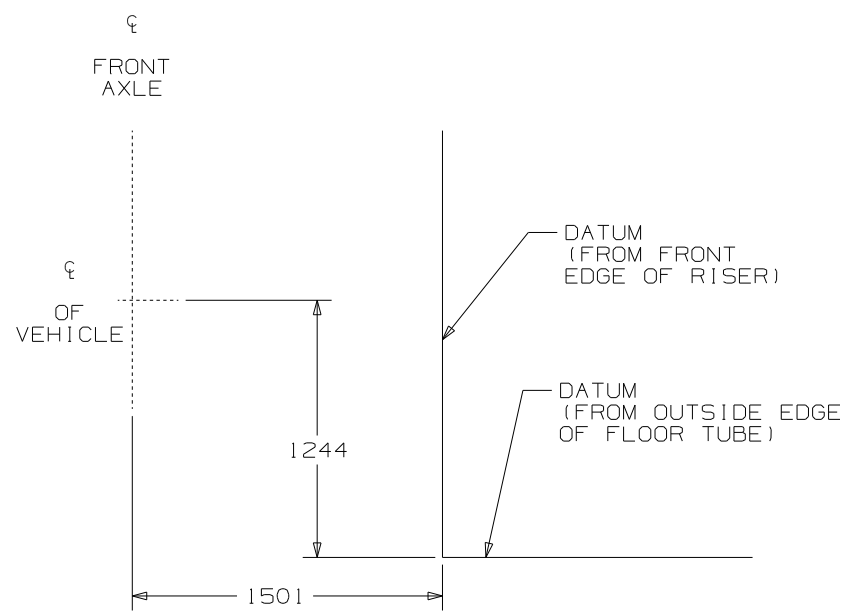
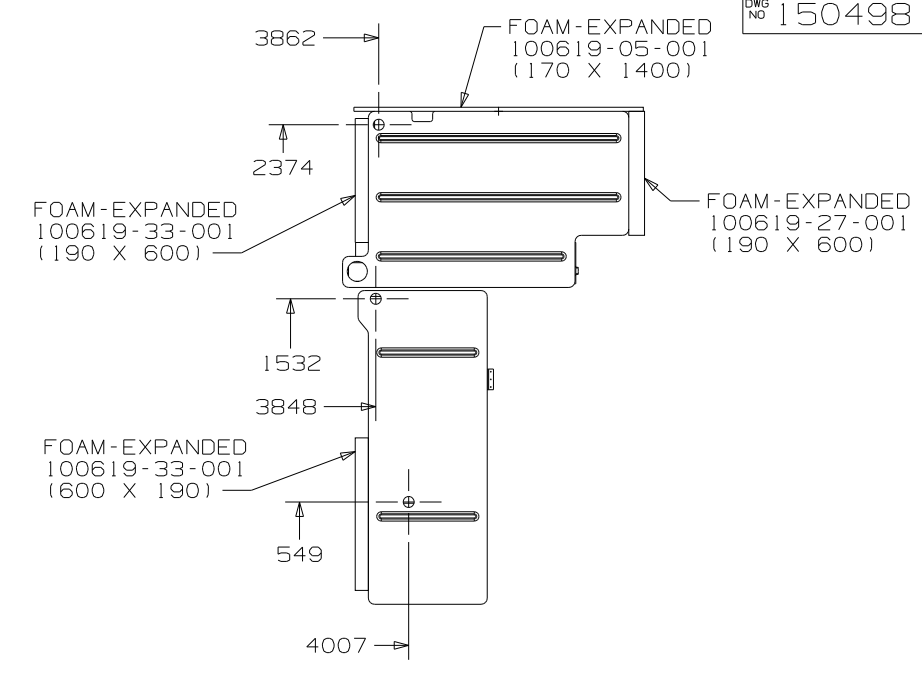
BRACKET
 136878-01-CHT

BRACKET
 136878-02-CHT

VIEW A-A

VIEW B-B

FIRST USED	05 427P
TITLE	DO NOT SCALE DRAWING
SHEET 2	DRAINAGE SYSTEM INSTL
PART NO	150498
	10/8/2004

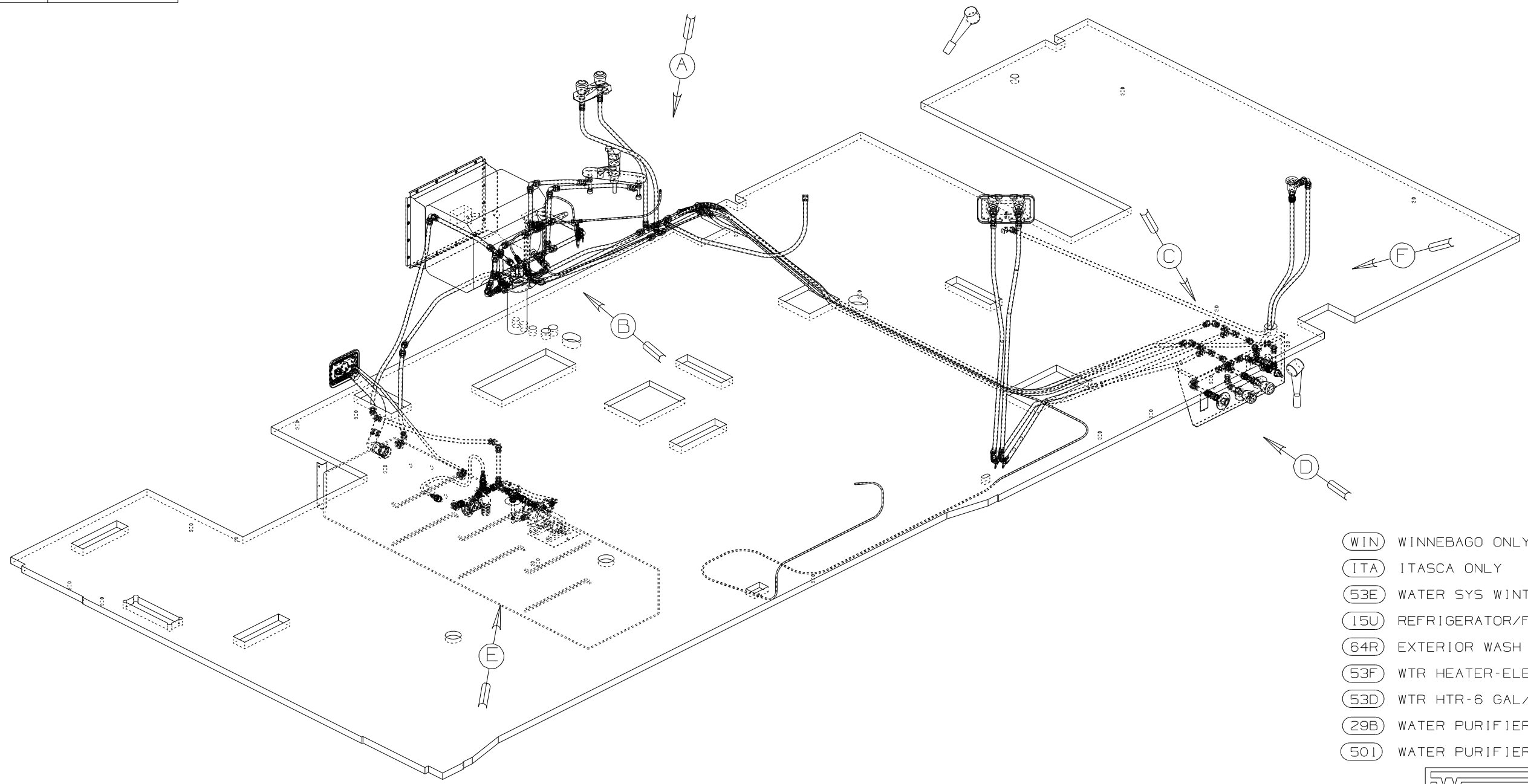


VIEW C-C

FIRST USED	05 427P
DO NOT SCALE DRAWING	
TITLE	DRAINAGE SYSTEM INSTL
SHEET 3	PART NO 150498

DWG NO	----
150497-01	(WIN)
150497-02	(ITA)

RELEASE	REV DATE	DWG NO
A		150497
REV ZONE	REVISION RECORD	DATE



- (WIN) WINNEBAGO ONLY
- (ITA) ITASCA ONLY
- (53E) WATER SYS WINTERIZATION PKG
- (15U) REFRIGERATOR/FRZR/W/ICEMAKER
- (64R) EXTERIOR WASH STATION
- (53F) WTR HEATER-ELEC IGNITION
- (53D) WTR HTR-6 GAL/ELE/LP/MOTORAID
- (29B) WATER PURIFIER
- (50I) WATER PURIFIER W/O

- NOTES:
- 5 ADD TEFLON TAPE 10405-02-000.
 - 4 ADD TEFLON TAPE 10405-01-000.
 3. ALL TUBING TO BE SECURED AT 1200 INTERVALS MAXIMUM WITH CLAMP 10495-01-000 OR CLIP 9151-01-000 AND SCREW 667-10-12B.
 2. TUBING TO BE INSTALLED WITH SUFFICIENT SLOPE TO PROVIDE DRAINAGE TO NEAREST VALVE.
 1. PLASTIC FITTINGS TO BE SEALED WITH SEALANT 84456-01-000.

(X-X)
FOR WATER CALLOUTS SEE DWG NO 116230-01-000

WINNEBAGO		COPYRIGHT 2005 WINNEBAGO INDUSTRIES, INC.	
DFT	ORIG. DATE	ALL DIMENSIONS ARE IN MILLIMETERS	
CHKR		FIRST USED	
P.E.		05 427P	
M.E.		UNSPECIFIED TOLERANCES ARE:	
DSNR		MATERIAL:	
		WHOLE DIM (X)	:
		ONE-PLACE (X.X)	:
		TWO-PLACE (X.XX)	:
		ANGLE	:
		THIRD ANGLE PROJECTION	
DO NOT SCALE DRAWING			
TITLE: WATER SYSTEM INSTL			
SHEET 1 OF 4		PART NO 150497	
REF: 146647 1 1/17/2005			

FAUCET
75241-04-000
SCREW
G11-10-125 (4)
PANEL
78498-01-CHT
SCREW
G11-08-12U (4)
COVER
78500-01-CHT

SHOWER HEAD-W/HOSE
129390-04-CHT

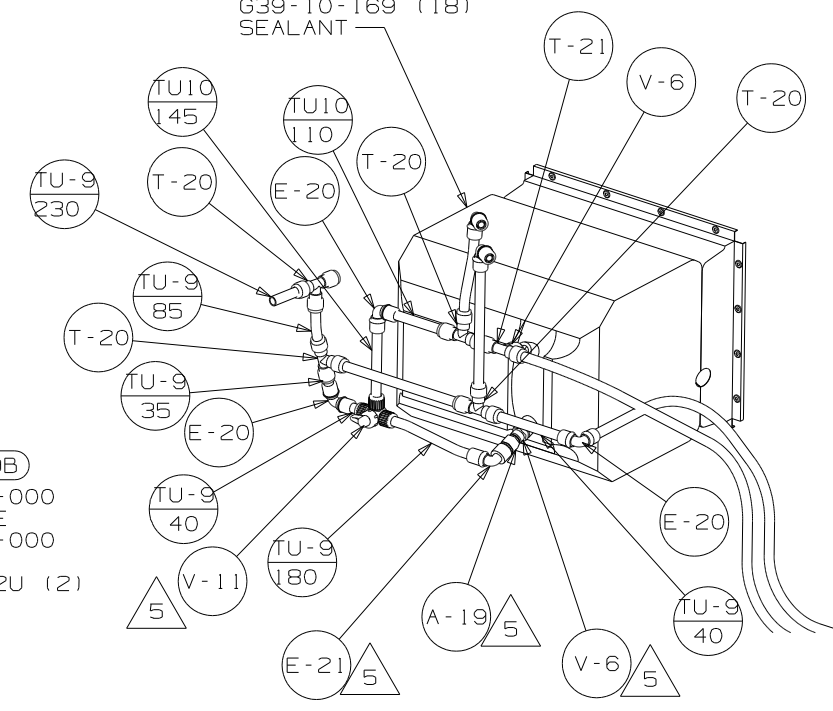
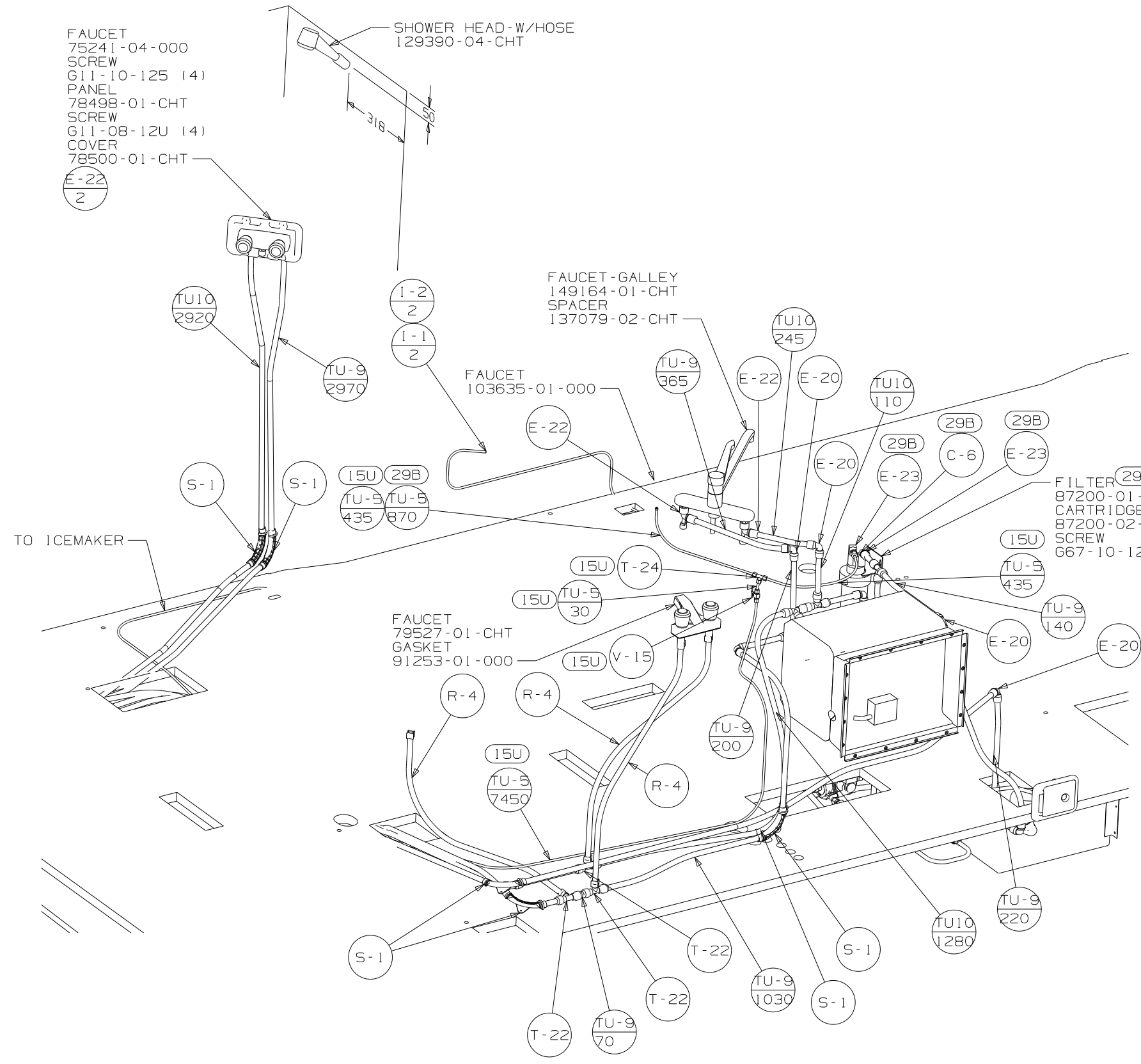
FAUCET-GALLEY
149164-01-CHT
SPACER
137079-02-CHT

FAUCET
103635-01-000

FAUCET
79527-01-CHT
GASKET
91253-01-000

WATER HEATER
51391-03-000 (53F)
145541-02-000 (53D)
DOOR
78506-01-CHT
CABLE
76767-03-000
SCREW
G67-08-8U (2)
AL EXTR
2726-01-210 (2)
2726-01-212 (2)
SCREW
G39-10-169 (18)
SEALANT

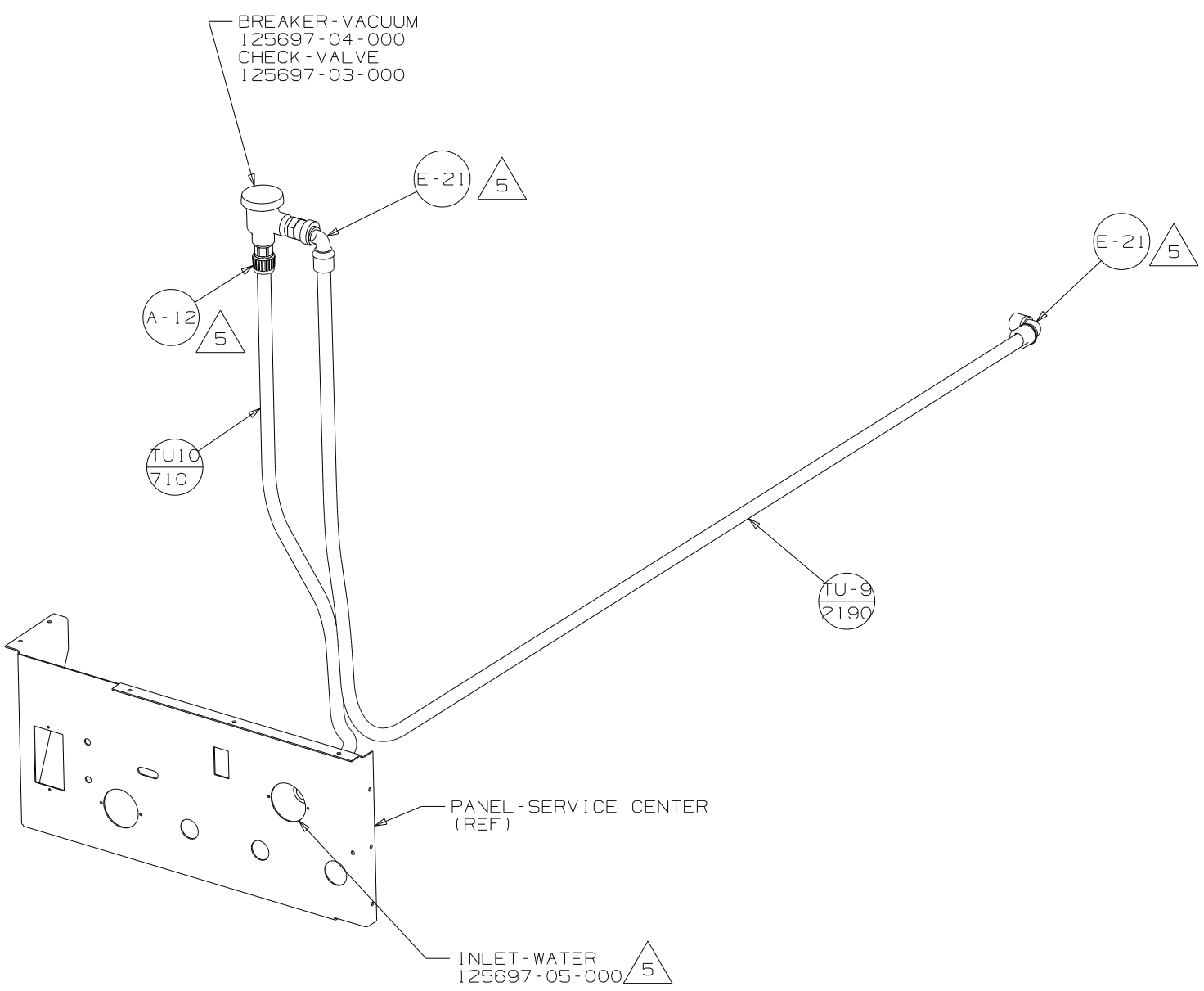
FILTER (29B)
87200-01-000
CARTRIDGE
87200-02-000
SCREW
G67-10-12U (2)



VIEW A

VIEW B

FIRST USED	05 427P
TITLE	DO NOT SCALE DRAWING
TITLE	WATER SYSTEM INSTL
SHEET 2	PART NO 150497



VIEW F

FIRST USED	05 427P
DO NOT SCALE DRAWING	
TITLE	WATER SYSTEM INSTL
SHEET 4	PART NO 150497