



DANGER

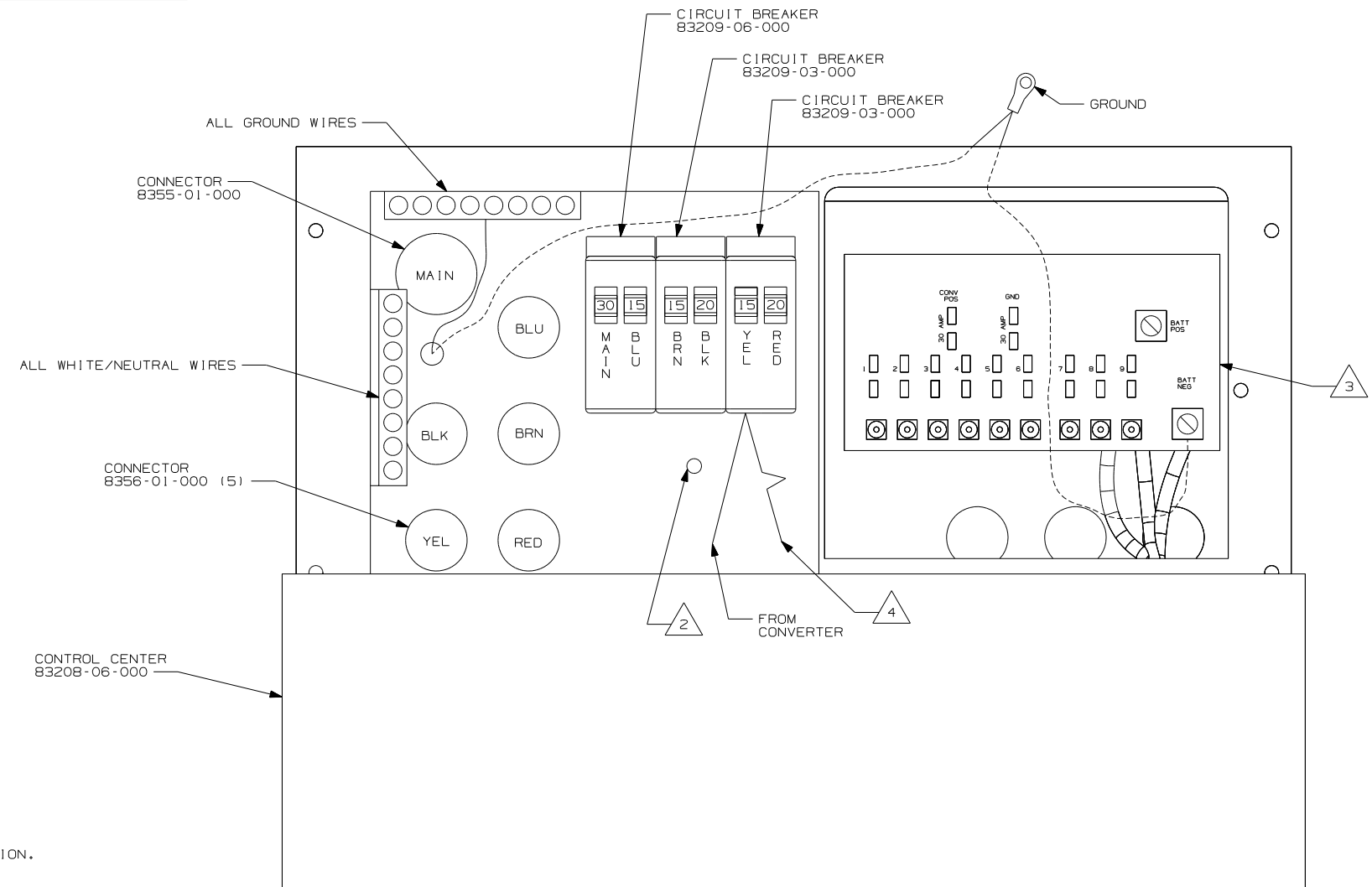
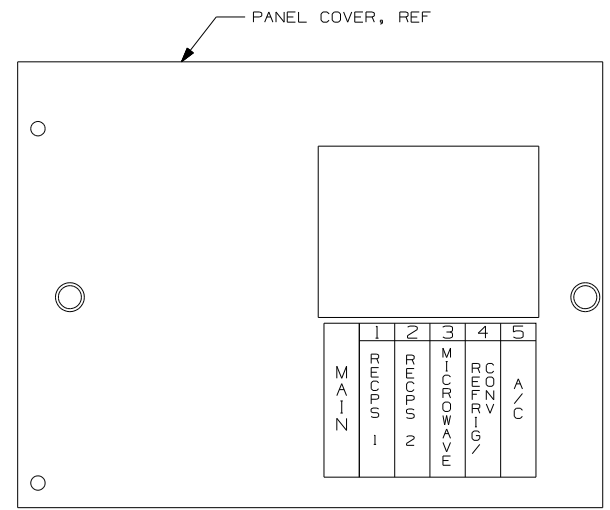
Danger of electrical shock, burns or death. Always remove all power sources before attempting any repair, service or diagnostic work. Power can be present from shore power, generator, inverter or battery. All power sources must be disabled and secured before performing any service.



CAUTION

If you lack the skills, tools or equipment to perform diagnostic or repair work leave such work to an authorized Winnebago Industries dealer or other qualified shop.

		427P	430V	431C	
WIRE ASM-110V US		150747-01-000	146541-01-000	150132-01-000	
WIRE ASM-110V CA		150747-02-000	146541-02-000	150132-02-000	
GROUND		136145-02-026	136145-02-022	136145-02-030	
GENERATOR CABLE ASM	UL	N/A	8022-01-000 4200	N/A	
	CA	N/A	24743-01-000 4200	N/A	
THROW IN #1	14-UL	N/A	N/A	136131-03-008	5
	14-CA	N/A	N/A	136134-03-008	5
THROW IN #2	14-UL	N/A	N/A	136131-03-060	49M
	14-CA	N/A	N/A	136134-03-060	49M
THROW IN #3	12-UL	N/A	N/A	136135-09-035	53D
	12-CA	N/A	N/A	136136-09-035	53D
THROW IN #4	14-UL	N/A	N/A	136131-19-040	40B
	14-CA	N/A	N/A	136134-19-040	40B



- 40B INVERTER-DC/AC, 300 WATT
- 49M SLEEP NUMBER BED-QUEEN SIZE
- 12D ELECTRICAL SYSTEM 30 AMP
- 265 CODES/STANDARDS-CSA/CMVSS
- 1B1 CODES/STANDARDS USA

1B1 265 12D

WINNEBAGO COPYRIGHT 2004 WINNEBAGO INDUSTRIES, INC.

DFTR	ORIG. DATE
CHKR	ALL DIMENSIONS ARE IN MILLIMETERS
P.E.	
M.E.	FIRST USED
DSNR	05 400-SER

UNSPECIFIED TOLERANCES ARE:	MATERIAL:
WHOLE DIM (X) :	
ONE-PLACE (X.X) :	
TWO-PLACE (X.XX) :	
ANGLE :	

THIRD ANGLE PROJECTION

DO NOT SCALE DRAWING

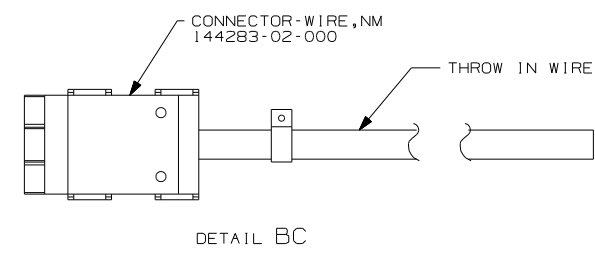
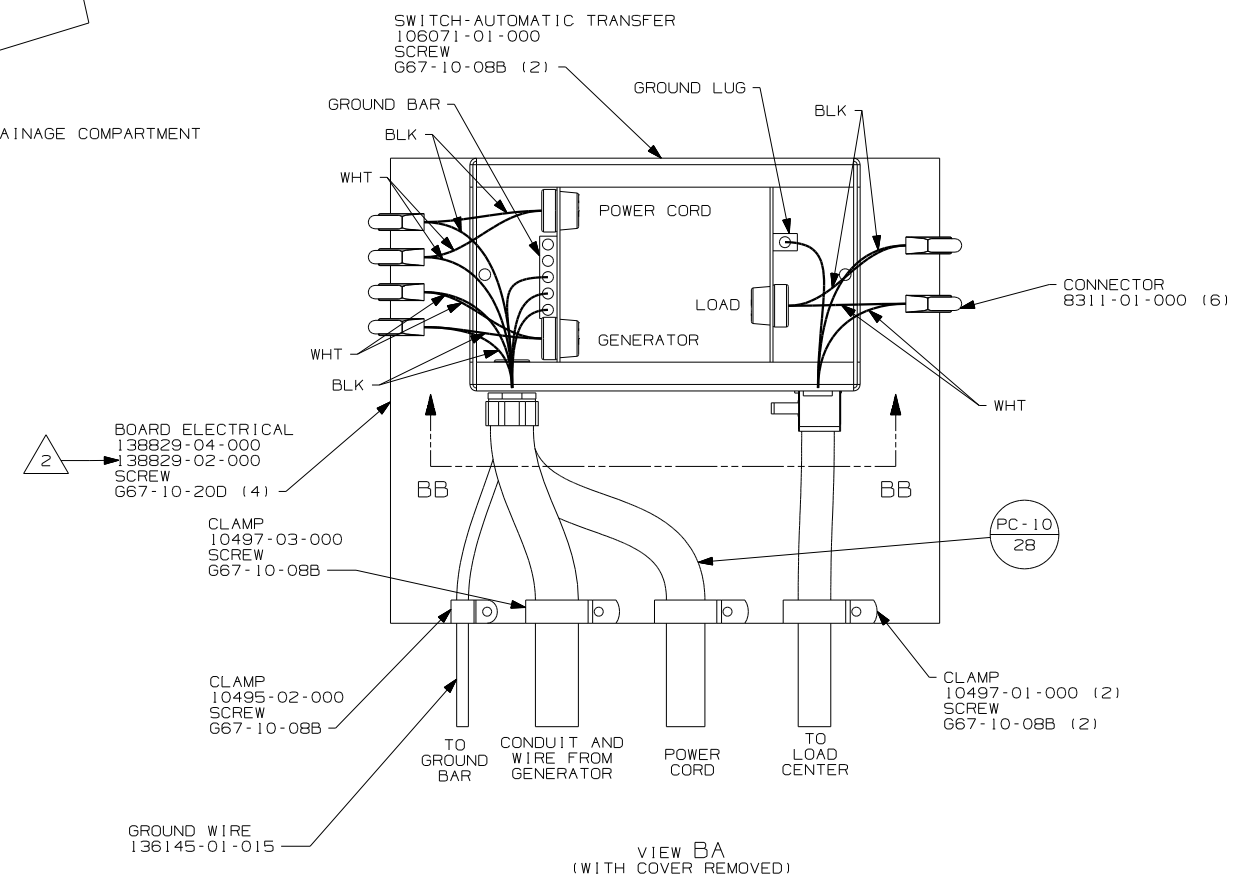
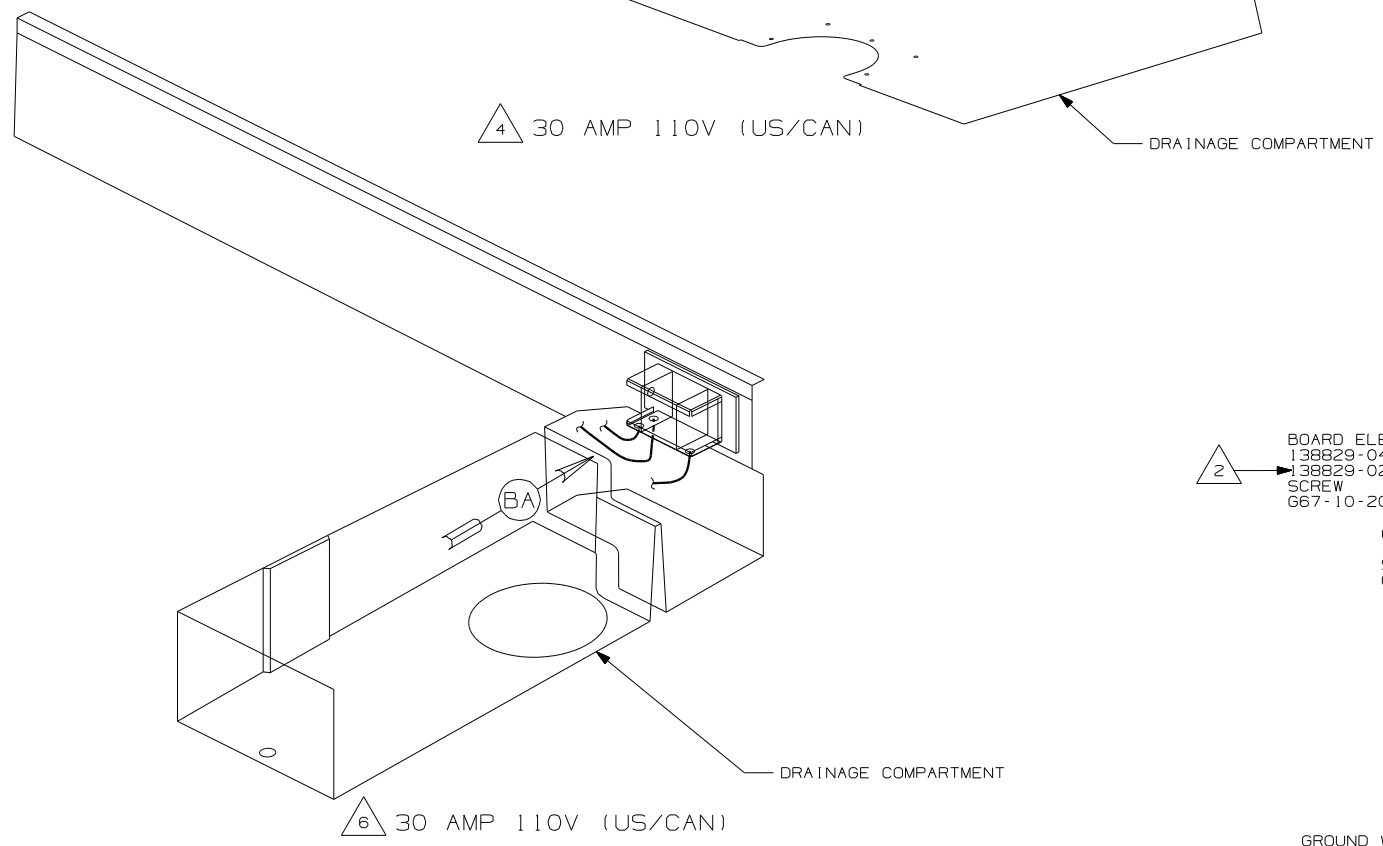
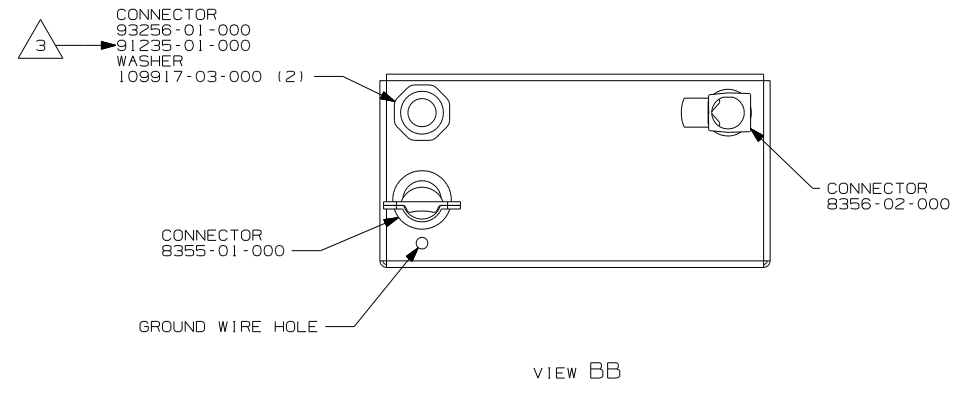
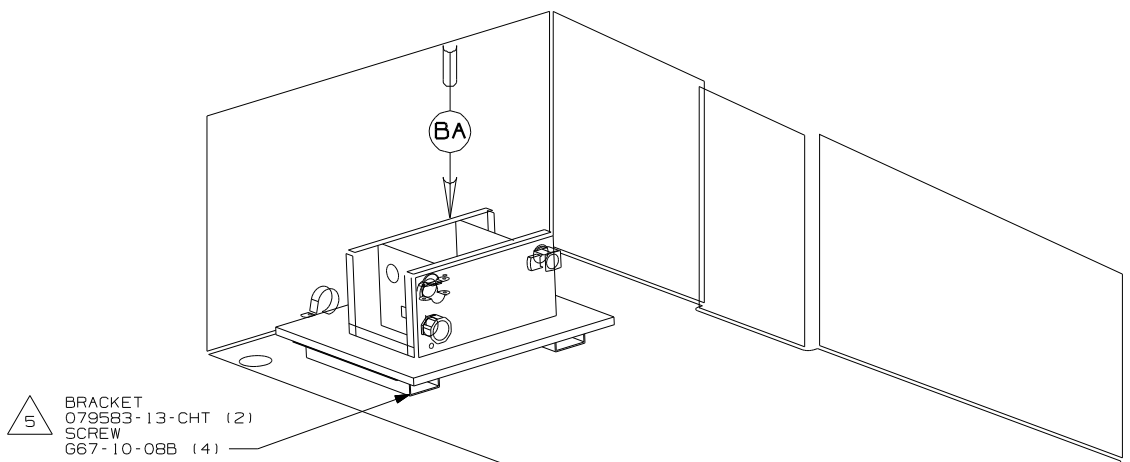
TITLE: LOAD CENTER/ATS ASM

SHEET 1 OF 2 PART NO 149419

- 5 FOR CONNECTOR INSTALLATION SEE DETAIL BC.
- 4 MAKE CONNECTION TO PROVIDED CONVERTER LEAD USING SUPPLIED WIRE NUT CONNECTOR
- 3 SEE WIRING INSTL-BODY, 12V FOR ADDITIONAL INFORMATION.
- 2 SECURE WIRES TO BACKSIDE OF LOAD CENTER WITH WIRE TIE 116673-01-000.

1. ALL GROUNDS WIRES TO BE COVERED WITH TUBING 8041-02-000.

NOTES:



- NOTES:
- ⑥ USED WITH 430V & 431C.
 - ⑤ MOUNT BRACKET WITH EDGE OF FLANGE FLUSH WITH EDGE OF PLYWOOD, CENTERED ON PLYWOOD AS SHOWN.
 - ④ USED ONLY WITH 427P.
 - ③ USED ONLY WITH 430V.
 - ② USED ONLY WITH 431C.
 - ① ALL WIRES TO BE CLAMPED WITHIN 200 OF BOX.

- ①2D ELECTRICAL SYSTEM - 30 AMP
- ②65 CODES/STANDARDS-CSA/CMVSS
- ①B1 CODES/STANDARDS USA

FIRST USED	05 400-SER
TITLE	DO NOT SCALE DRAWING
TITLE	LOAD CENTER/ATS ASM
SHEET 2	PART NO 149419

FOR ELECTRICAL TORQUE SPECIFICATIONS SEE DWG NO. 128783-01-000

FOR ELECTRICAL CALLOUTS SEE DWG NO. 121339-01-000