



DANGER

Danger of electrical shock, burns or death. Always remove all power sources before attempting any repair, service or diagnostic work. Power can be present from shore power, generator, inverter or battery. All power sources must be disabled and secured before performing any service.

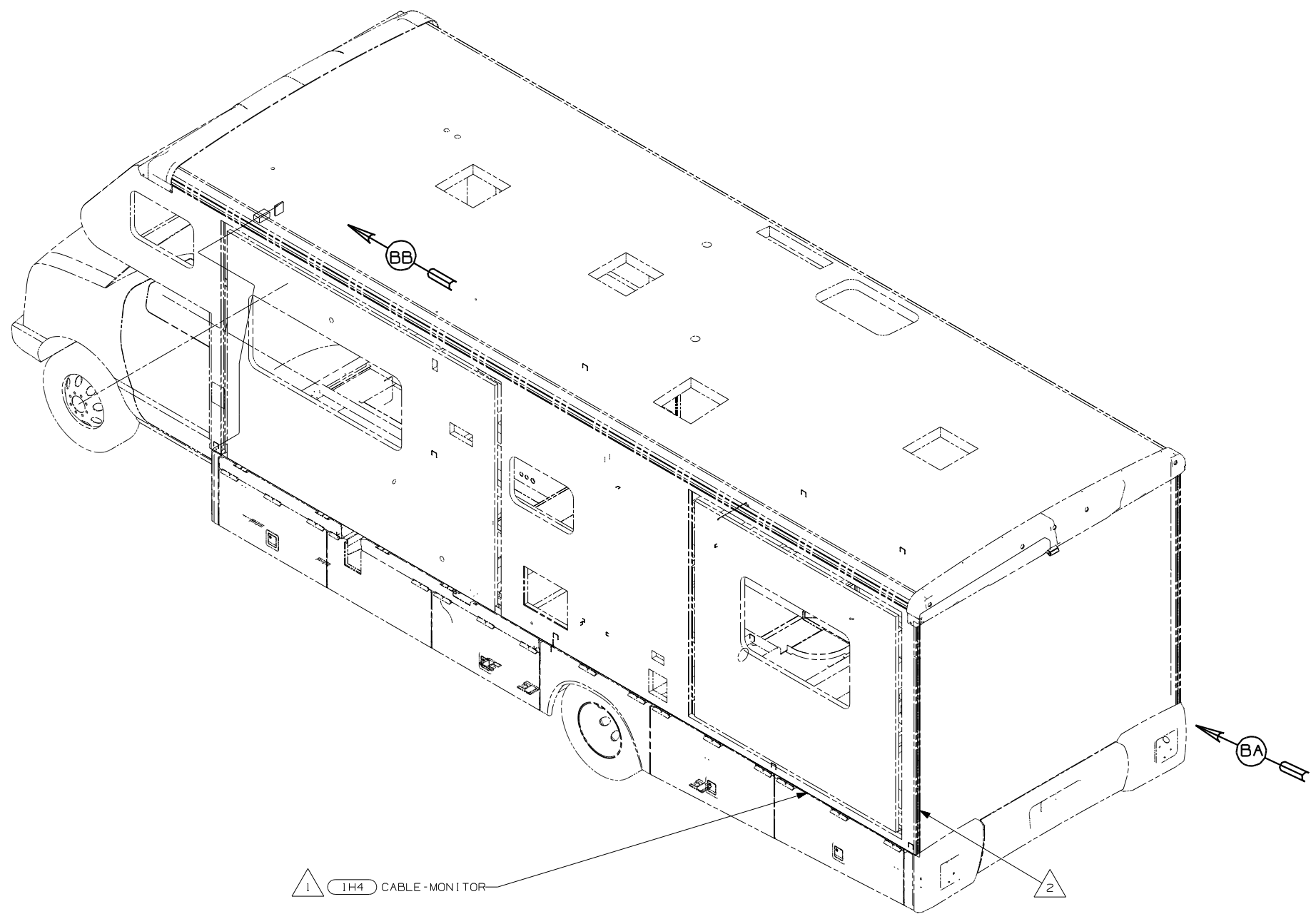


CAUTION

If you lack the skills, tools or equipment to perform diagnostic or repair work leave such work to an authorized Winnebago Industries dealer or other qualified shop.

DRAWING NO.	MODEL
148545-01	400 SERIES
148545-02	300 & 700 SERIES

RELEASE	REV DATE	DWG NO
A		148545
REV ZONE	REVISION RECORD	DATE DFR-ORIG

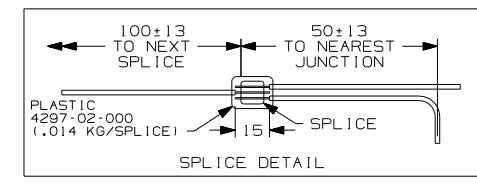


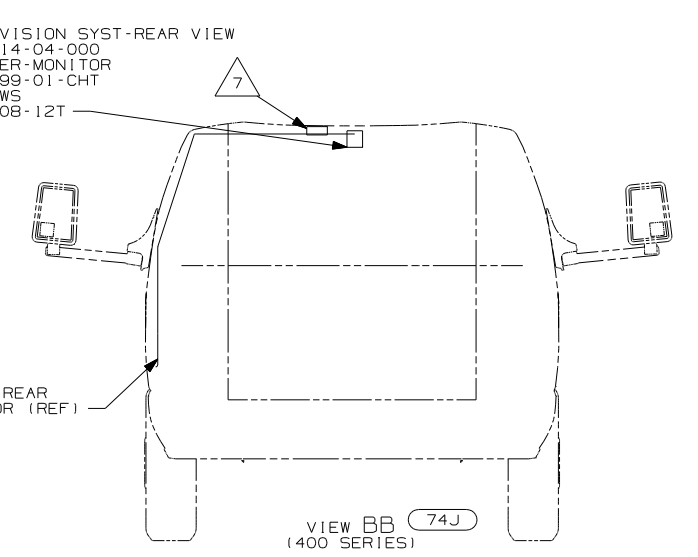
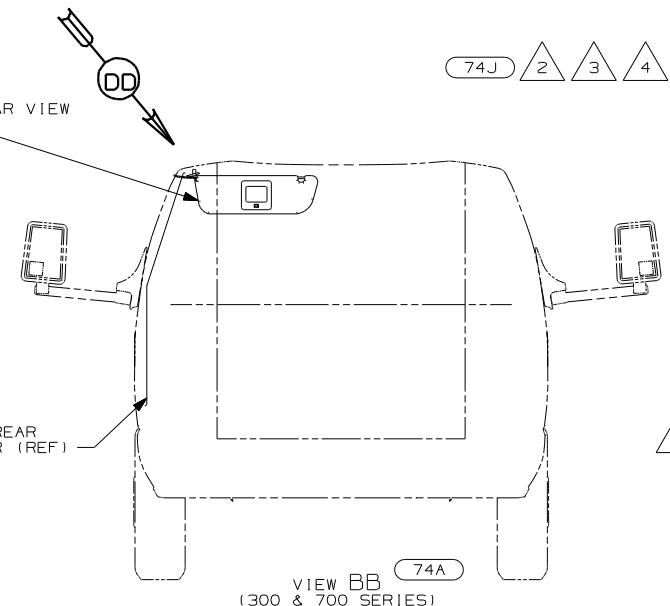
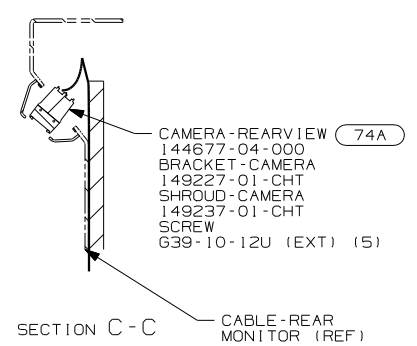
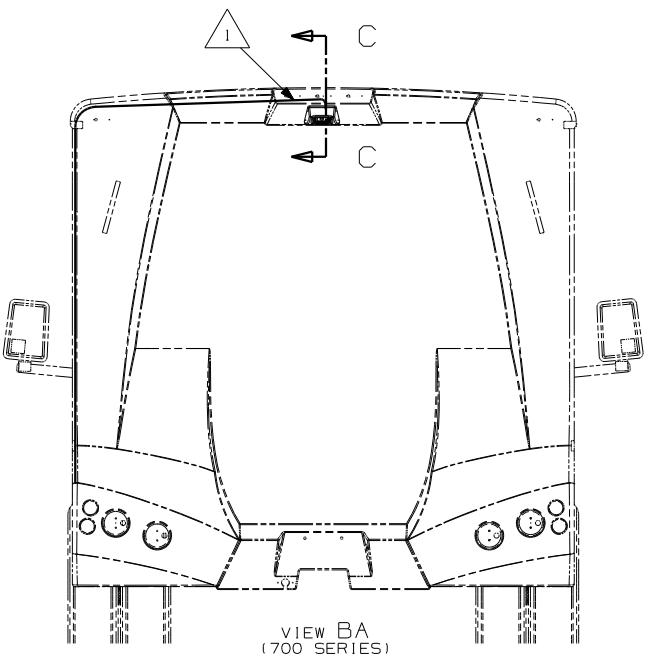
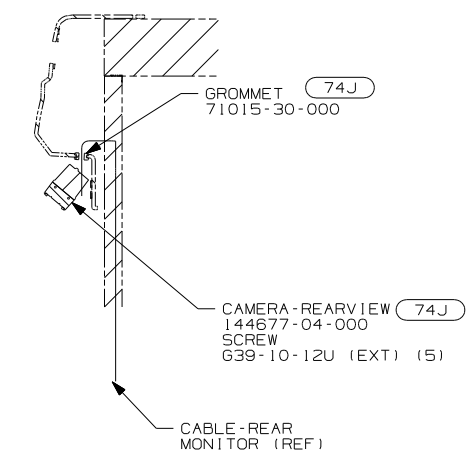
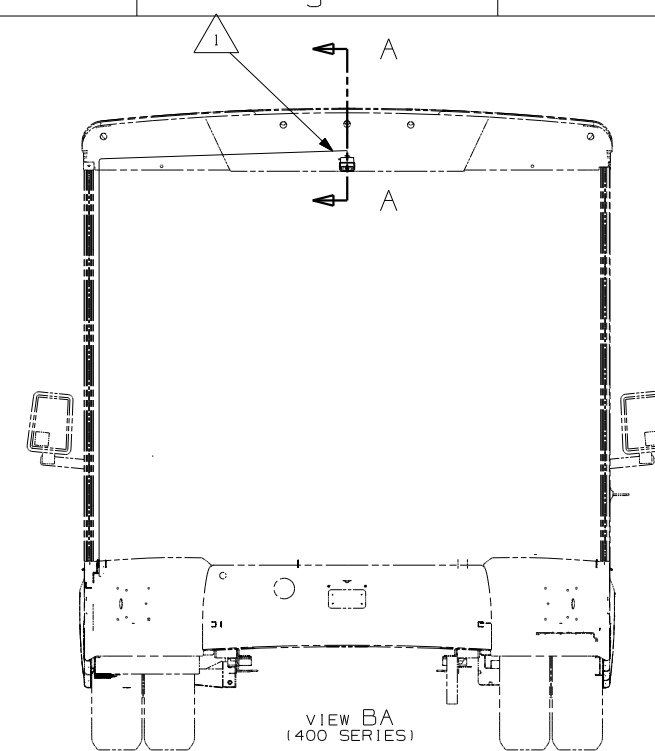
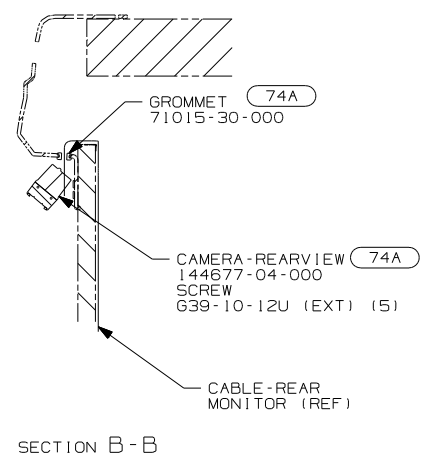
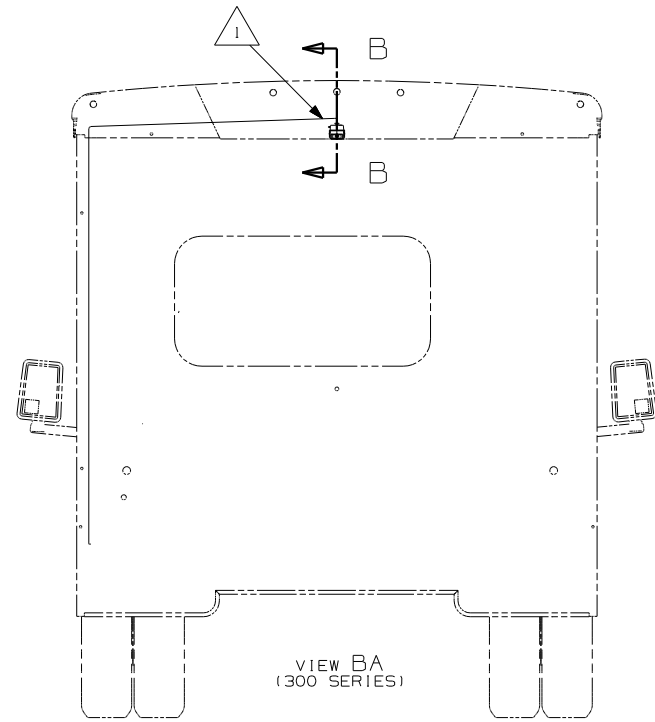
- 74A RR MONITOR SYS-SUNVISOR MNTR
- 74J REARVIEW MONITOR SYSTEM
- I H4 REARVIEW MONITOR-WIRE PREP

WINNEBAGO		COPYRIGHT 2004 WINNEBAGO INDUSTRIES, INC.	
DFTR	ORIG. DATE	ALL DIMENSIONS ARE IN MILLIMETERS	
CHKR		FIRST USED	
P.E.		05 C-BODIES	
M.E.		UNSPECIFIED TOLERANCES ARE:	
DSNR		MATERIAL:	
		WHOLE DIM (X)	: ±
		ONE-PLACE (X.X)	: ±0.1
		TWO-PLACE (X.XX)	: ±0.05
		ANGLE	: ±0.5
		THIRD ANGLE PROJECTION	: 3rd
DO NOT SCALE DRAWING			
TITLE: MONITOR INSTL.			
SHEET 1 OF 2	PART NO	148545	
REF: 144978-C 9/2/2004			

- 2 WIRE ROUTED IN RECESSED AREA BETWEEN SIDEWALL AND BACKWALL.
- 1 REAR MONITOR CAMERA CABLE IS PART OF WIRE ASSEMBLY CHASSIS AND RUNS ALONG LEFT FRAME RAIL.

FOR
ELECTRICAL
CALLOUTS
SEE DWG NO.
121339-01-000



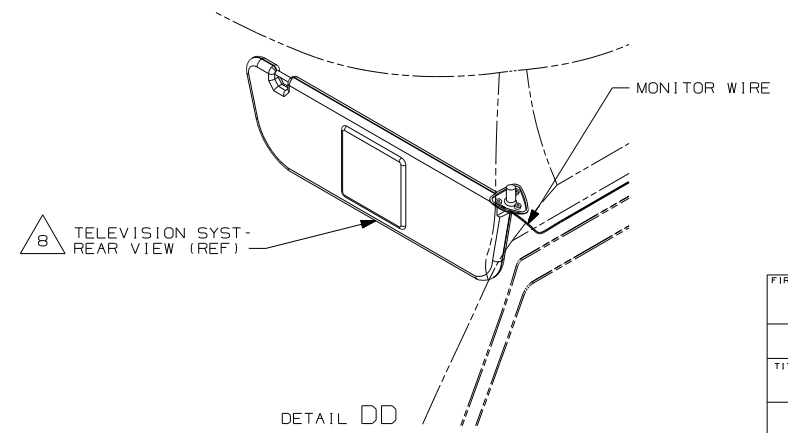


74A 3 8 9 TELEVISION SYST-REAR VIEW 150079-02-000

74J 2 3 4 6 TELEVISION SYST-REAR VIEW 136514-04-000
SPACER-MONITOR 143999-01-CHT
SCREWS 639-08-12T

- NOTES:
- 4 MONITOR BRACKET MOUNTING SCREWS TO BE SCREWED INTO FORD INNER WINDSHIELD HEADER AS FAR TO THE PASSENGER SIDE AS ALLOWED BY THE HOLE IN THE HEADER TRIM PANEL.
 - 3 PLUG 3 PIN POWER HARNESS AND REAR MONITOR CABLE INTO REAR MONITOR ASSEMBLY.
 - 2 CUT VINYL PAD AND FOLD MATERIAL BACK INTO OPENING FOR REAR MONITOR MOUNTING PLATE.
 - 1 END CABLE IN THIS AREA ON UNITS WITHOUT MONITOR W/ 1H4.

- 9 SEND REMOVED FORD SUNVISOR TO WAREHOUSE UNDER PART NUMBER 150079-03-000.
- 8 REMOVE FORD SUNVISOR AND MOUNT THE REAR MONITOR REUSING THE FORD SUPPLIED SCREWS. ROUTE THE MONITOR WIRE UNDER THE VINYL PAD AND A-PILLAR COVER.
- 7 MOUNT ADAPTER BOX BEHIND TRIM PANEL WITH FASTENER-DUAL LOCK 85774-01-000 (100mm) & 85774-02-000 (100mm).
- 6 CONNECT REAR MONITOR CABLE TO A/VI WIRE IN ADAPTER BOX.
- 5 REAR MONITOR CABLE IS PART OF THE WIRE ASSEMBLY CHASSIS AND IS TO END BETWEEN SUNVISORS.



- 74A RR MONITOR SYS-SUNVISOR MNTR
- 74J REARVIEW MONITOR SYSTEM
- 1H4 REARVIEW MONITOR-WIRE PREP

FIRST USED	05 C-BODIES	
TITLE	DO NOT SCALE DRAWING	
TITLE	MONITOR INSTL.	
SHEET 2	PART NO	148545