



**DANGER**

**Danger of electrical shock, burns or death.** Always remove all power sources before attempting any repair, service or diagnostic work. Power can be present from shore power, generator, inverter or battery. All power sources must be disabled and secured before performing any service.



**CAUTION**

If you lack the skills, tools or equipment to perform diagnostic or repair work leave such work to an authorized Winnebago Industries dealer or other qualified shop.

CONNECTS TO WIRE ASM-SDWL SLIDEOUT (SHT 6, C-4) (LOCATED IN STOVE CABT.)

CONNECTS TO FORD WIRING

CONNECTS TO WIRE ASM-BACKWALL

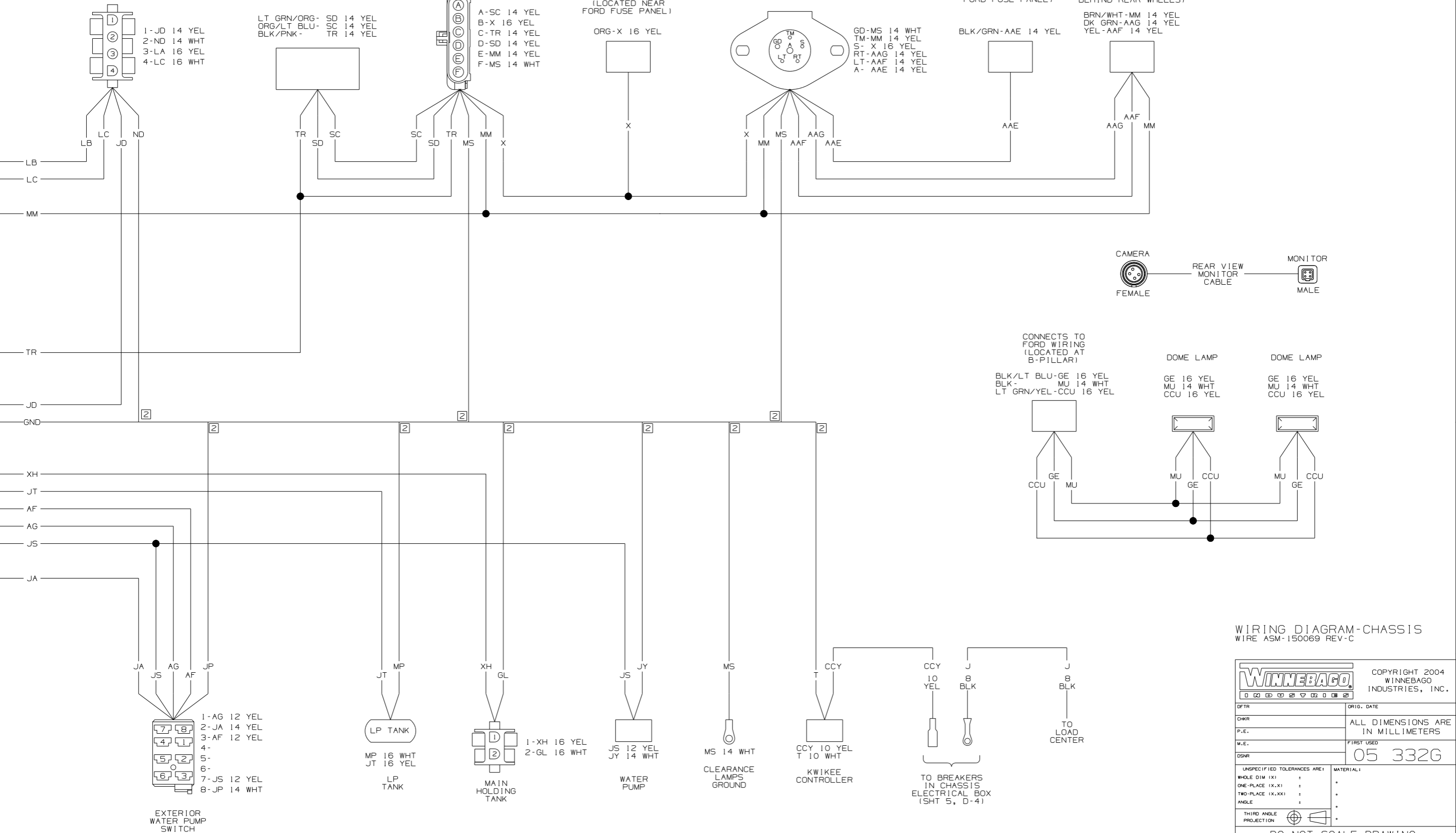
CONNECTS TO FORD WIRING (LOCATED NEAR FORD FUSE PANEL)

TRAILER HITCH ASM

CONNECTS TO FORD WIRING (LOCATED NEAR FORD FUSE PANEL)

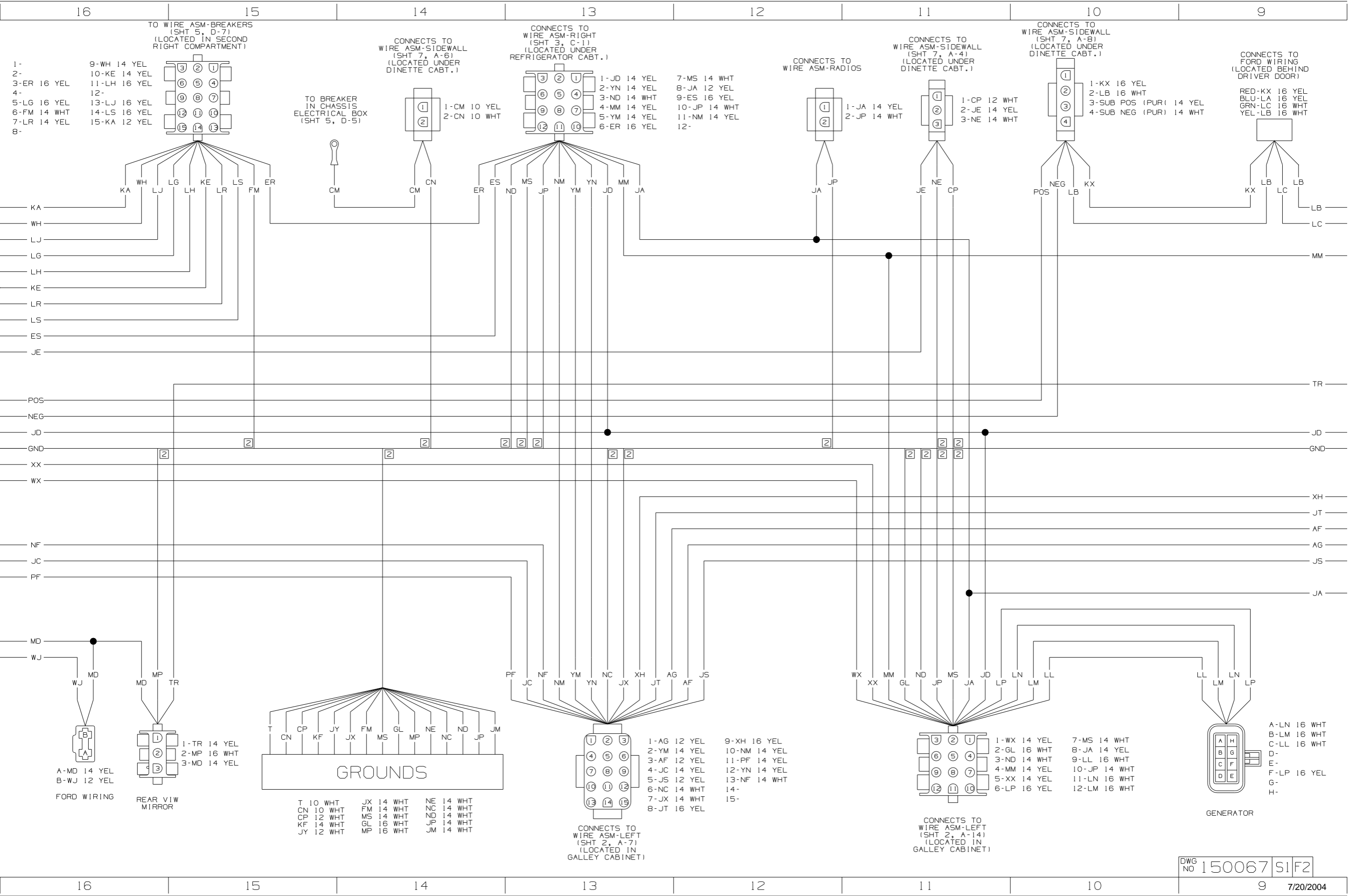
CONNECTS TO FORD WIRING (LOCATED ON FRAME BEHIND REAR WHEELS)

RELEASE	REV DATE	DWG NO
A		150067
REV ZONE	REVISION RECORD	DATE
		DFTR-0R16



WIRING DIAGRAM-CHASSIS WIRE ASM-150069 REV-C

<b>WINNEBAGO</b>		COPYRIGHT 2004 WINNEBAGO INDUSTRIES, INC.	
DFTR	ORIG. DATE	ALL DIMENSIONS ARE IN MILLIMETERS	
CHNR		M.E.	
P.E.		FIRST USED	
M.E.		05 3326	
DSNR		UNSPECIFIED TOLERANCES ARE:	
		MATERIAL:	
		HOLE DIM (XX) :	
		ONE-PLACE (X.X) :	
		TWO-PLACE (X.XX) :	
		ANGLE :	
		THIRD ANGLE PROJECTION	
DO NOT SCALE DRAWING			
TITLE: WIRING DIAGRAM-BODY, 12V			
SHEET 1 of 6	PART NO	150067	
REF: 144134		1 7/20/2004	



D

C

B

A

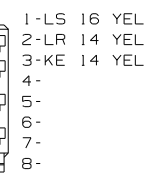
SLIDEOUT ACTUATOR #1  
A-GGG 16 YEL  
B-GGJ 16 WHT  
C-GGH 16 YEL

SLIDEOUT ACTUATOR #2  
A-GGK 16 YEL  
B-GGM 16 WHT  
C-GGL 16 YEL

SLIDEOUT ACTUATOR #1  
A-AAZ 16 YEL  
B-AAZ 16 YEL

SLIDEOUT ACTUATOR #2  
A-GGN 16 YEL  
B-GGP 16 YEL

BATTERY CHANGE OVER SWITCH



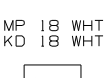
1-LS 16 YEL  
2-LR 14 YEL  
3-KE 14 YEL  
4-  
5-  
6-  
7-  
8-

BATTERY DISCONNECT SWITCH



1-LJ 16 YEL  
2-LG 16 YEL  
3-KF 14 WHT  
4-KF 14 WHT  
5-LH 16 YEL  
6-LJ 16 YEL  
7-  
8-

STEP DOOR SWITCH



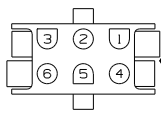
MP 18 WHT  
KD 18 WHT

ELECTRIC STEP



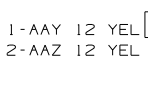
A-KA 12 YEL  
B-WH 14 YEL  
C-KD 18 WHT  
D-ES 16 YEL

ENCODER FEEDER



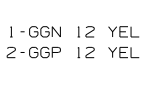
1-GGH 16 YEL  
2-GGG 16 YEL  
3-GGJ 16 WHT  
4-GGL 16 YEL  
5-GGK 16 YEL  
6-GGM 16 WHT

#1 ACTUATOR DRIVE LEAD



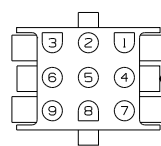
1-AAZ 12 YEL  
2-AAZ 12 YEL

#2 ACTUATOR DRIVE LEAD



1-GGN 12 YEL  
2-GGP 12 YEL

INTERFACE FEED



1-DS 16 WHT  
2-DU 16 YEL  
3-GGD 16 YEL  
4-GGE 16 YEL  
5-DR 16 YEL  
6-GGF 16 YEL  
7-DY 16 WHT  
8-  
9-

EMERGENCY BRAKE SWITCH



DY 16 WHT

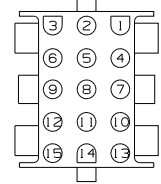
FORD DASH WIRING



DY 16 WHT

- 5 SEE WIRING DIAGRAM-AUTO FOR ADDITIONAL INFORMATION.
- 4 SEE MANUFACTURERS DIAGRAM FOR ADDITIONAL INFORMATION.
- 3 GROUNDS ARE SHOWN AS A SINGLE LINE FOR EASE IN TRACING. EACH GROUND CIRCUIT IS SEPERATE IN THE HARNESS.
- 2 NOT A SPLICE POINT. INDICATES ENTRY INTO WIRING HARNESS.
1. SPLICES ARE THEORETICAL AND MAY DIFFER IN THE HARNESS.

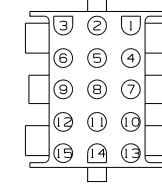
NOTES:



CONNECTS TO WIRE ASM-LEFT (SHT 2, D-15) (LOCATED IN GALLEY CABINET)

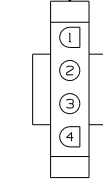
1-JM 14 WHT  
2-JF 14 YEL  
3-DS 16 WHT  
4-GGD 16 YEL  
5-GGE 16 YEL  
6-DR 16 YEL  
7-DU 16 YEL  
8-JE 14 YEL

9-PL 14 YEL  
10-JB 14 YEL  
11-PD 14 YEL  
12-PH 14 YEL  
13-GGF 16 YEL  
14-NE 14 WHT  
15-JD 14 YEL



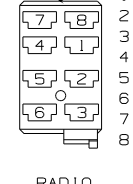
CONNECTS TO WIRE ASM-RIGHT (SHT 3, C-8) (LOCATED UNDER REFRIGERATOR)

1-NF 14 WHT  
2-JF 14 YEL  
3-WX 14 YEL  
4-XX 14 YEL  
5-JM 14 WHT  
6-NC 14 WHT  
7-SUB POS 14 YEL (PUR)  
8-JE 14 YEL  
9-PL 14 YEL  
10-JB 14 YEL  
11-PD 14 YEL  
12-PH 14 YEL  
13-SUB NEG 14 WHT (PUR)  
14-PF 14 YEL  
15-JC 14 YEL



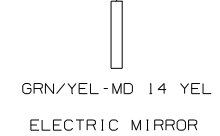
DASH RADIO ASM

1-MK 14 YEL  
2-LD 14 YEL  
3-GT 16 YEL  
4-WN 16 YEL



RADIO SWITCH

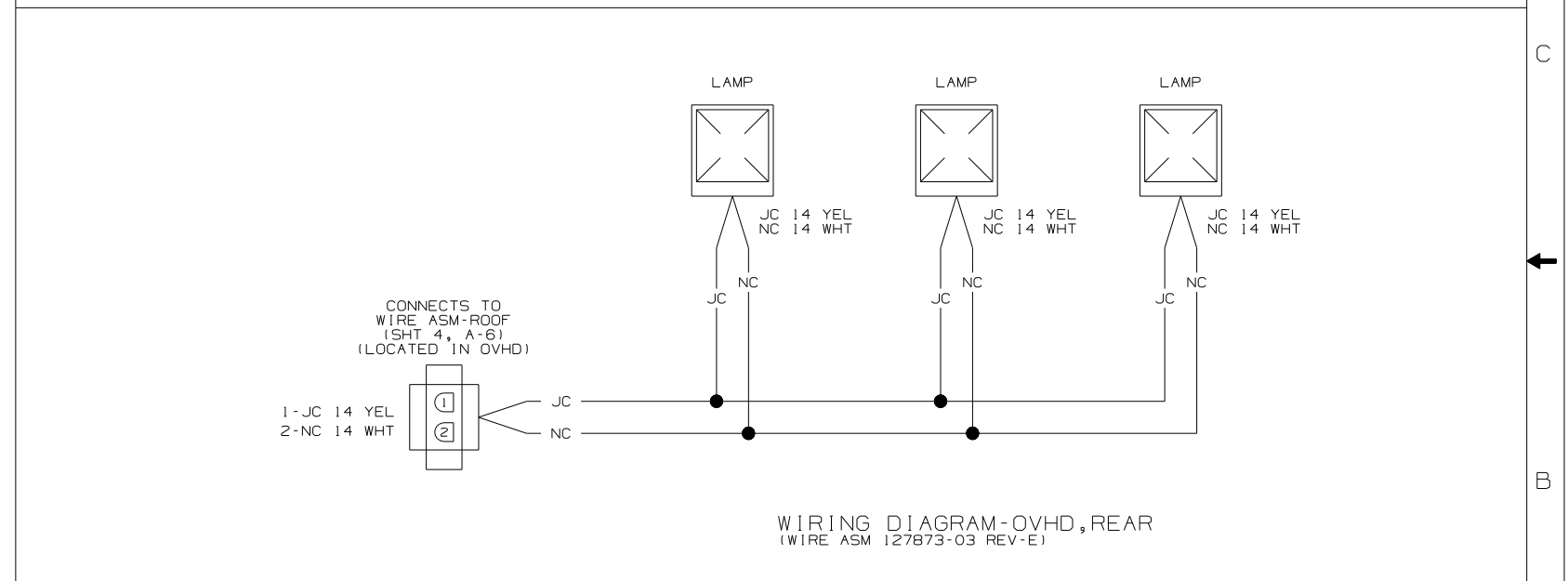
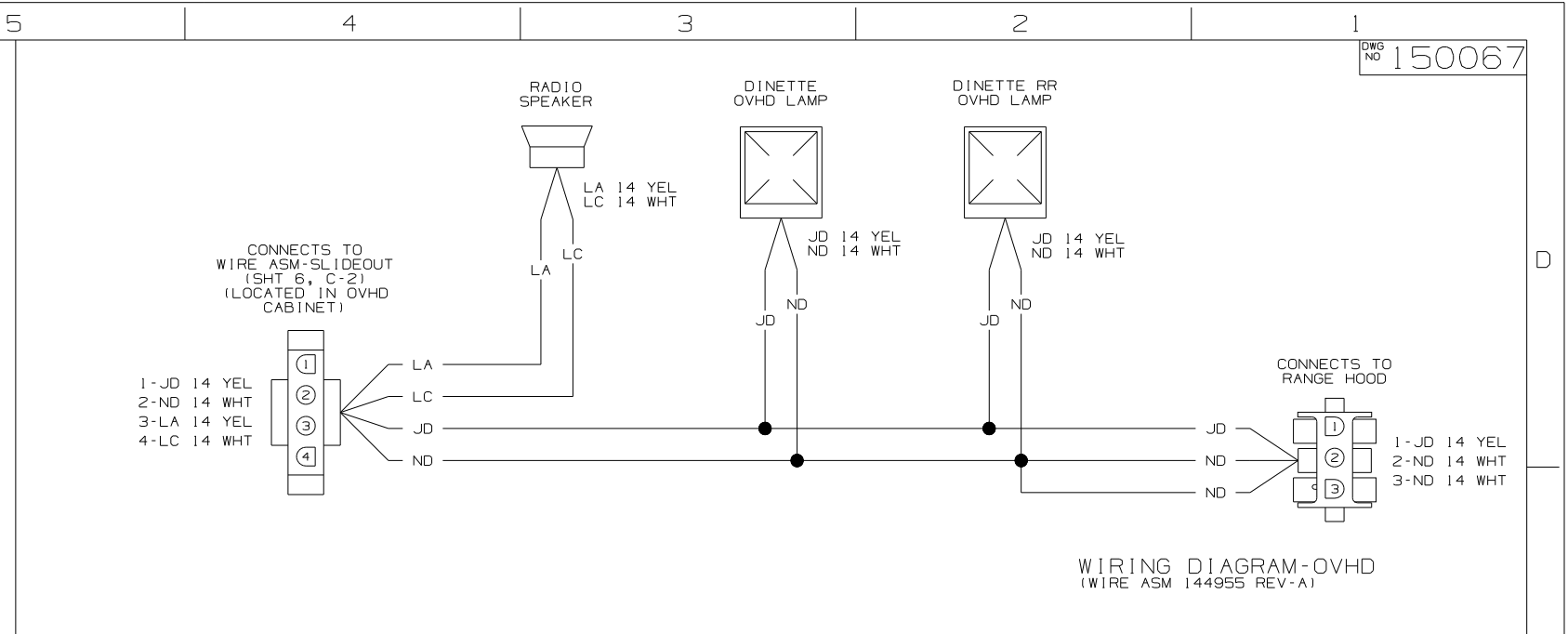
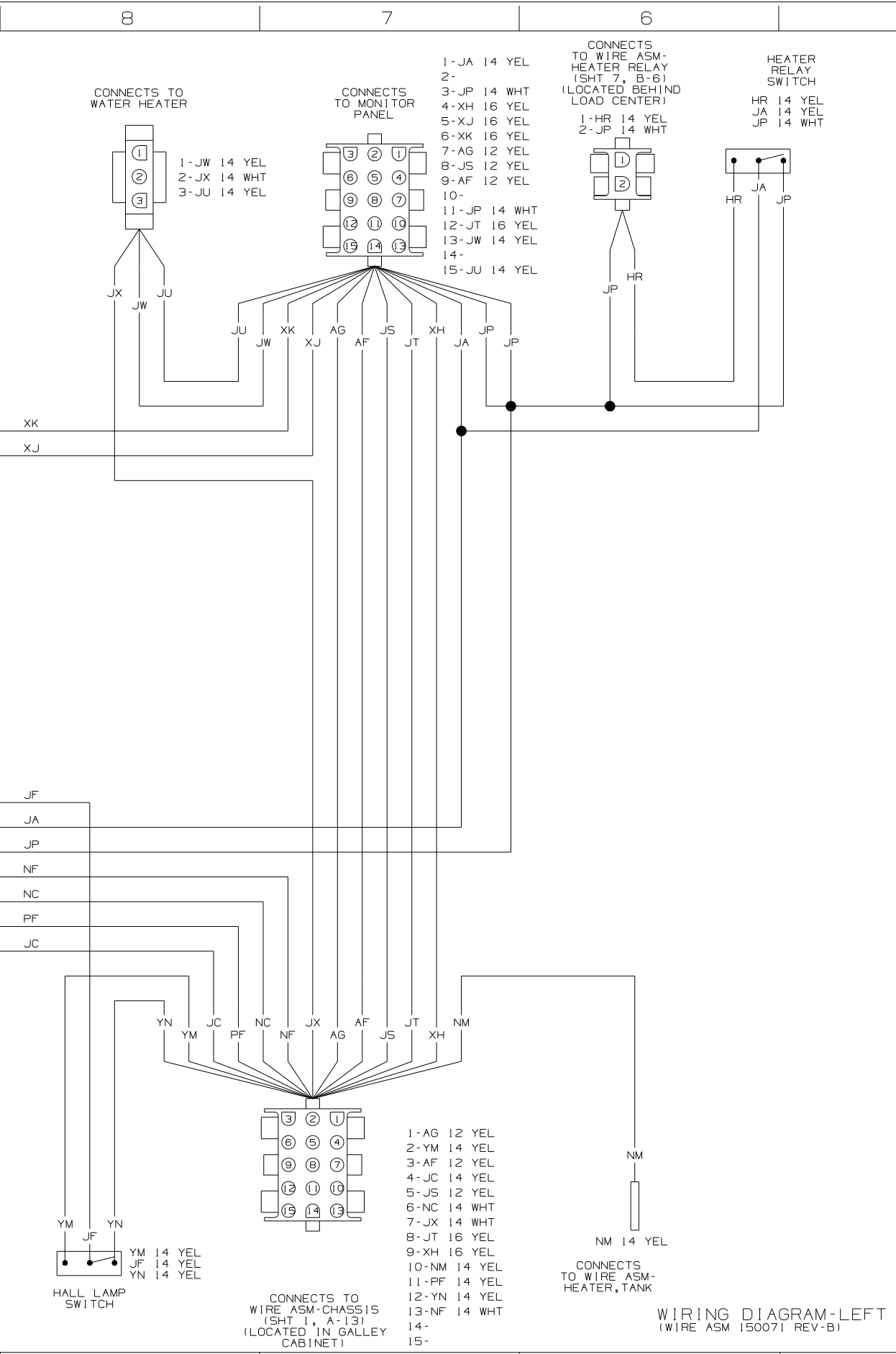
1-LD 14 YEL  
2-WN 16 YEL  
3-JF 14 YEL  
4-MK 14 YEL  
5-GT 16 YEL  
6-JF 14 YEL  
7-  
8-



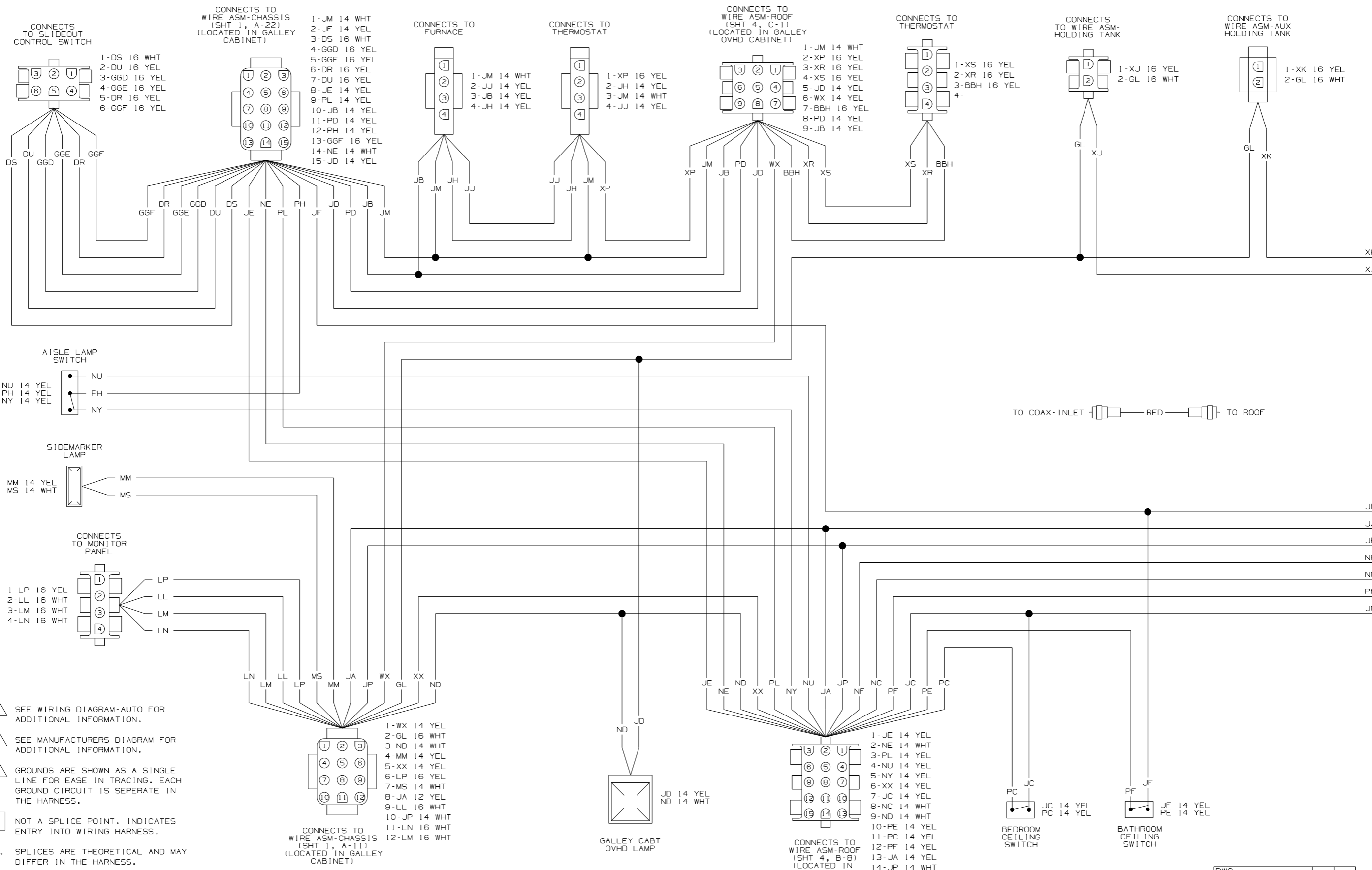
ELECTRIC MIRROR



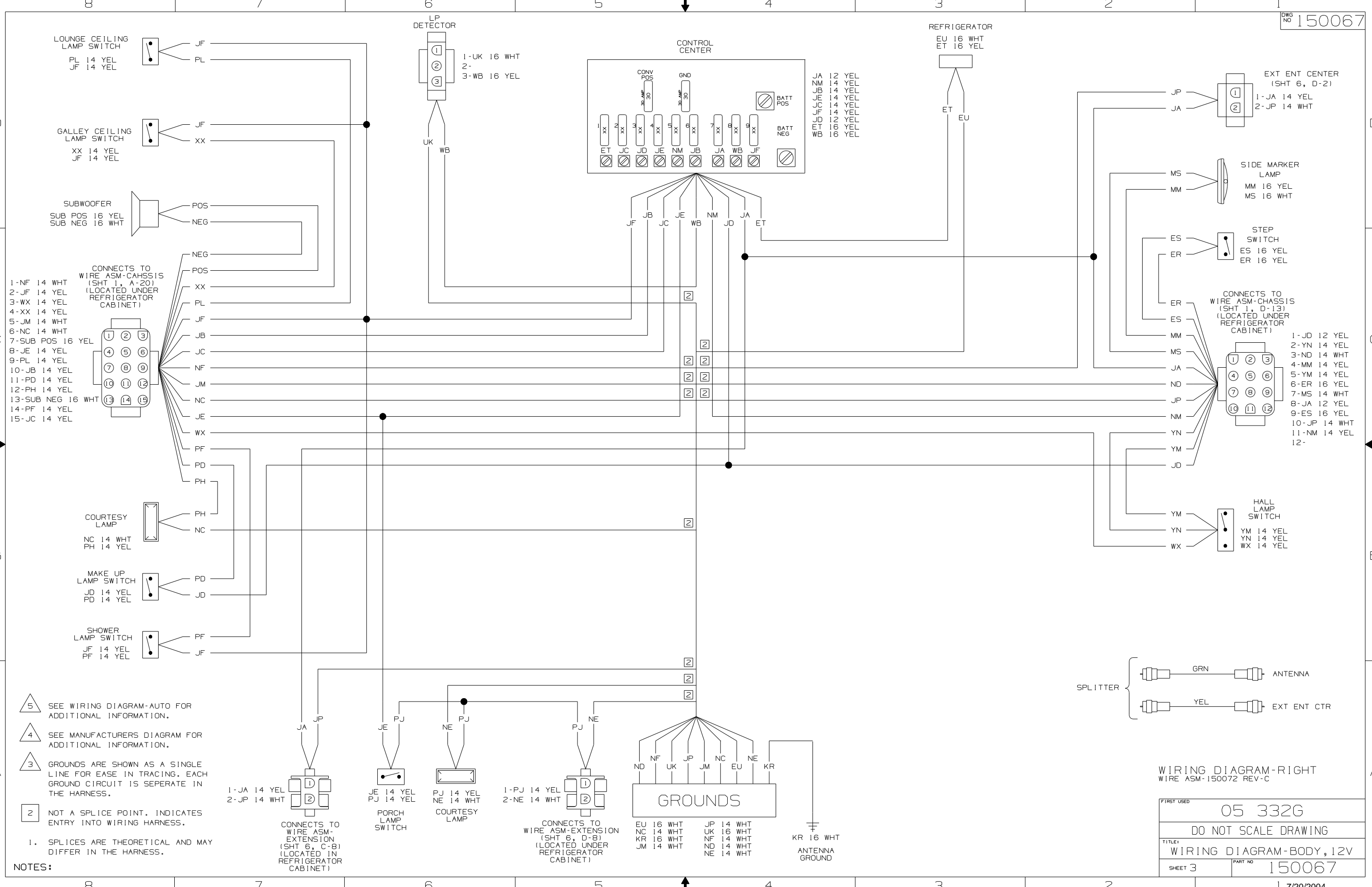
FORD WIRING



FIRST USED	05 332G	
TITLE	DO NOT SCALE DRAWING	
	WIRING DIAGRAM-BODY, 12V	
SHEET 2	PART NO	150067



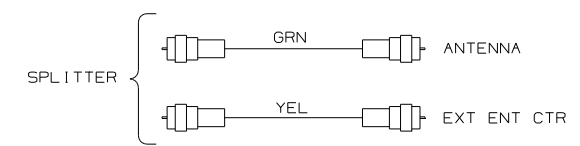
- NOTES:**
- 5 SEE WIRING DIAGRAM-AUTO FOR ADDITIONAL INFORMATION.
  - 4 SEE MANUFACTURERS DIAGRAM FOR ADDITIONAL INFORMATION.
  - 3 GROUNDS ARE SHOWN AS A SINGLE LINE FOR EASE IN TRACING. EACH GROUND CIRCUIT IS SEPERATE IN THE HARNESS.
  - 2 NOT A SPLICE POINT. INDICATES ENTRY INTO WIRING HARNESS.
  - 1. SPLICES ARE THEORETICAL AND MAY DIFFER IN THE HARNESS.

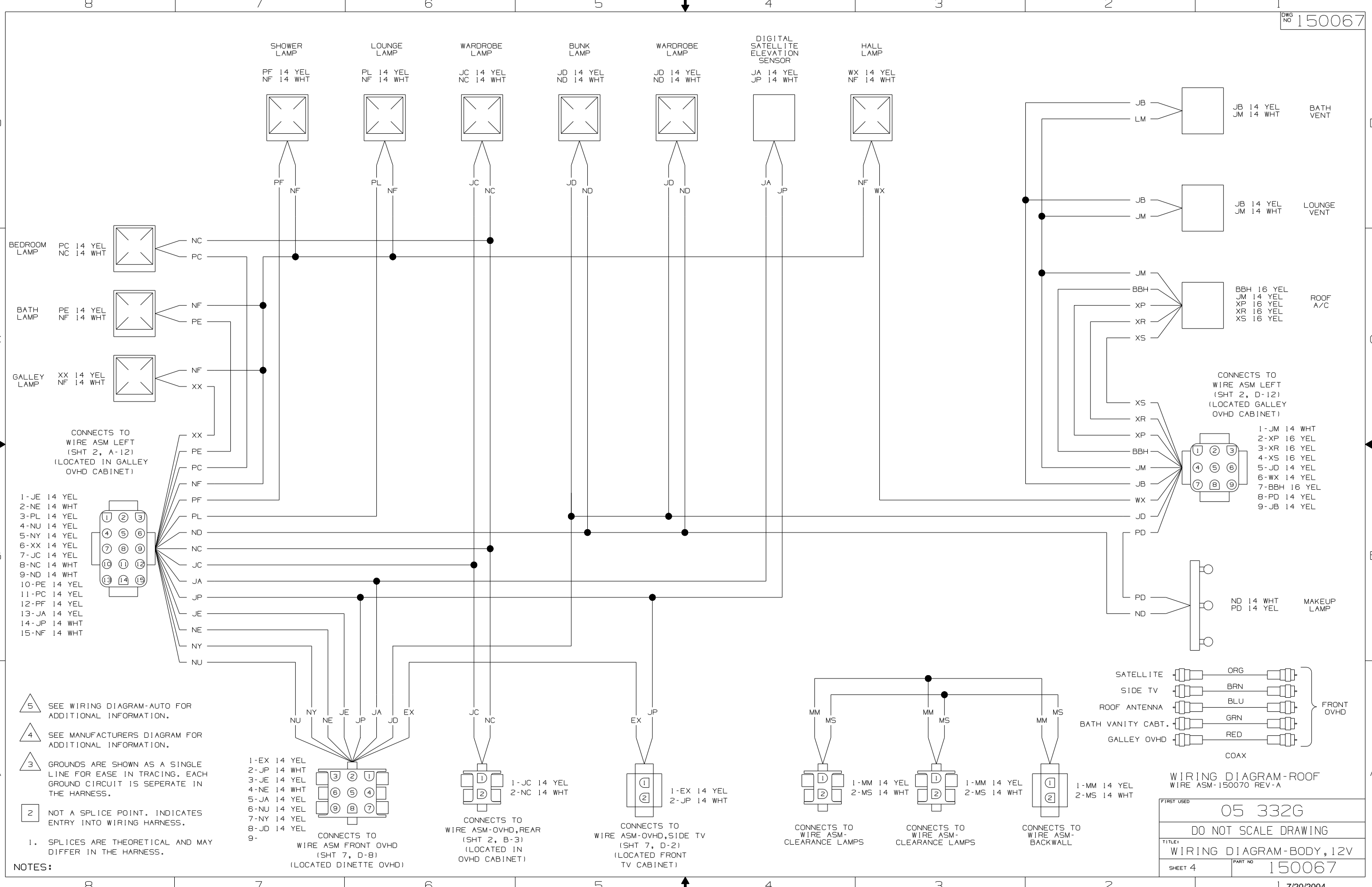


WIRING DIAGRAM-RIGHT  
WIRE ASM-150072 REV-C

FIRST USED	05 332G
DO NOT SCALE DRAWING	
TITLE: WIRING DIAGRAM-BODY, 12V	
SHEET 3	PART NO 150067

1 7/20/2004





- 1-JE 14 YEL
- 2-NE 14 WHT
- 3-PL 14 YEL
- 4-NU 14 YEL
- 5-NY 14 YEL
- 6-XX 14 YEL
- 7-JC 14 YEL
- 8-NC 14 WHT
- 9-ND 14 WHT
- 10-PE 14 YEL
- 11-PC 14 YEL
- 12-PF 14 YEL
- 13-JA 14 YEL
- 14-JP 14 WHT
- 15-NF 14 WHT

- 5 SEE WIRING DIAGRAM-AUTO FOR ADDITIONAL INFORMATION.
- 4 SEE MANUFACTURERS DIAGRAM FOR ADDITIONAL INFORMATION.
- 3 GROUNDS ARE SHOWN AS A SINGLE LINE FOR EASE IN TRACING. EACH GROUND CIRCUIT IS SEPERATE IN THE HARNESS.
- 2 NOT A SPLICE POINT. INDICATES ENTRY INTO WIRING HARNESS.
1. SPLICES ARE THEORETICAL AND MAY DIFFER IN THE HARNESS.

NOTES:

- 1-EX 14 YEL
- 2-JP 14 WHT
- 3-JE 14 YEL
- 4-NE 14 WHT
- 5-JA 14 YEL
- 6-NU 14 YEL
- 7-NY 14 YEL
- 8-JD 14 YEL
- 9-

CONNECTS TO WIRE ASM FRONT OVHD (SHT 7, D-8) (LOCATED DINETTE OVHD)

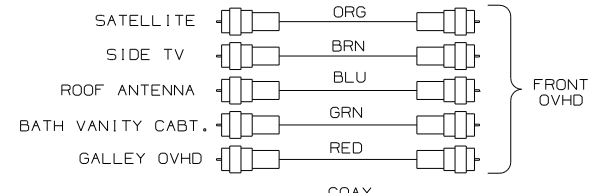
CONNECTS TO WIRE ASM-OVHD,REAR (SHT 2, B-3) (LOCATED IN OVHD CABINET)

CONNECTS TO WIRE ASM-OVHD,SIDE TV (SHT 7, D-2) (LOCATED FRONT TV CABINET)

CONNECTS TO WIRE ASM-CLEARANCE LAMPS

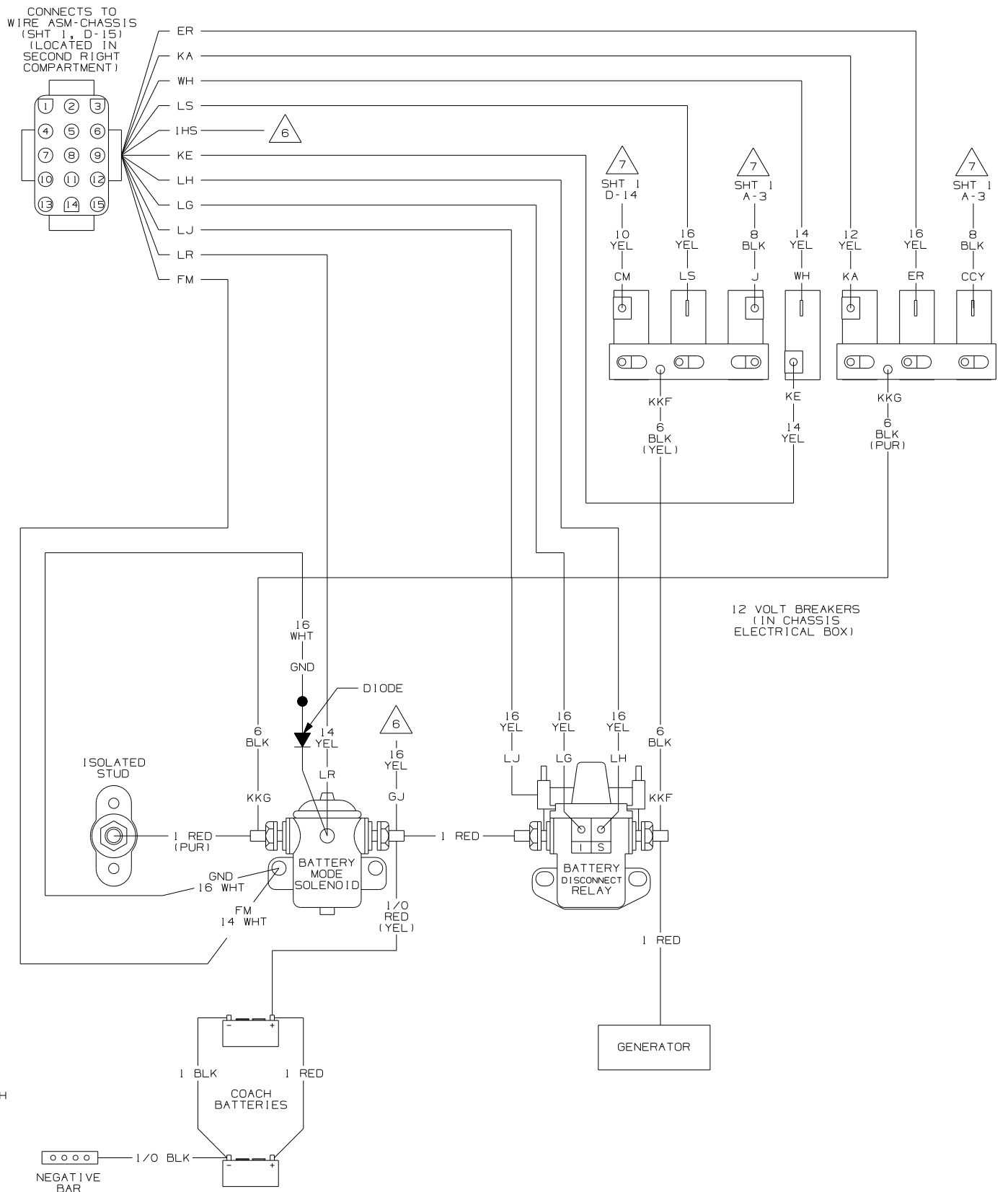
CONNECTS TO WIRE ASM-CLEARANCE LAMPS

CONNECTS TO WIRE ASM-BACKWALL



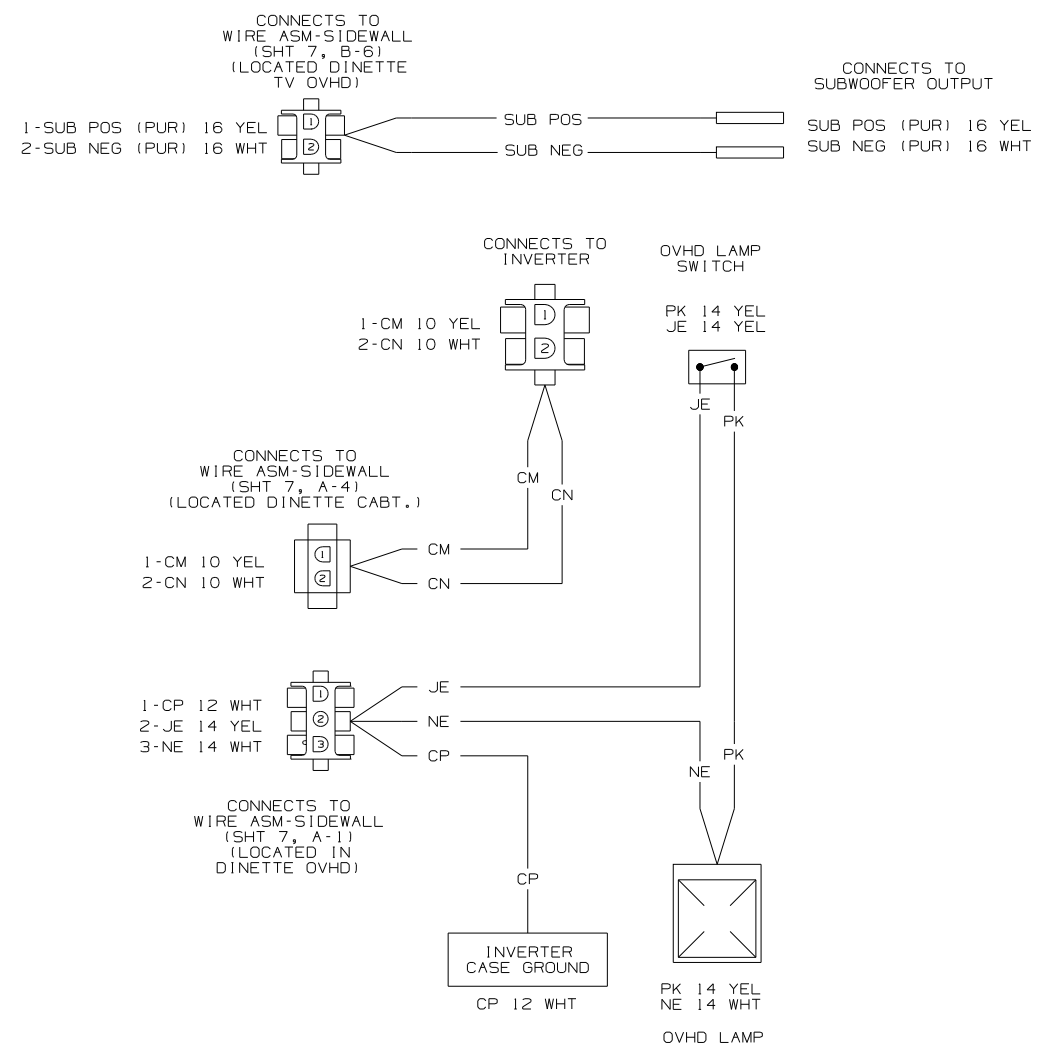
FIRST USED	05 332G	
TITLE:	DO NOT SCALE DRAWING	
	WIRING DIAGRAM-BODY, 12V	
SHEET 4	PART NO	150067





- 1-
- 2-
- 3-ER 16 YEL
- 4-
- 5-LG 16 YEL
- 6-FM 14 WHT
- 7-LR 14 YEL
- 8-IHS 16 YEL
- 9-WH 14 YEL
- 10-KE 14 YEL
- 11-LH 16 YEL
- 12-
- 13-LJ 16 YEL
- 14-LS 16 YEL
- 15-KA 12 YEL

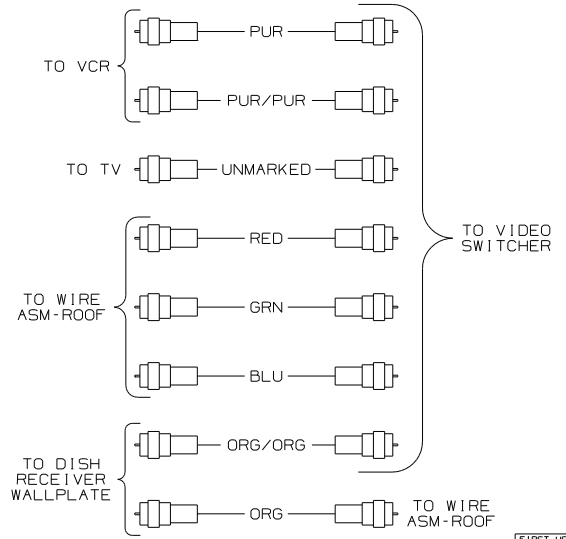
WIRING DIAGRAM-ELECTRICAL BOX  
(WIRE ASM 124125-04 REV-K)



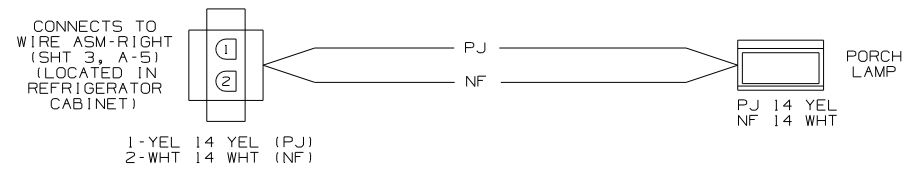
WIRING DIAGRAM TV, FRONT  
(WIRE ASM 148752-01 REV-D)

- 7 SEE WIRING DIAGRAM-CHASSIS FOR ADDITIONAL INFORMATION
  - 6 NOT USED IN THIS UNIT.
  - 5 SEE WIRING DIAGRAM-AUTO FOR ADDITIONAL INFORMATION.
  - 4 SEE MANUFACTURERS DIAGRAM FOR ADDITIONAL INFORMATION.
  - 3 GROUNDS ARE SHOWN AS A SINGLE LINE FOR EASE IN TRACING. EACH GROUND CIRCUIT IS SEPERATE IN THE HARNESS.
  - 2 NOT A SPLICE POINT. INDICATES ENTRY INTO WIRING HARNESS.
1. SPLICES ARE THEORETICAL AND MAY DIFFER IN THE HARNESS.

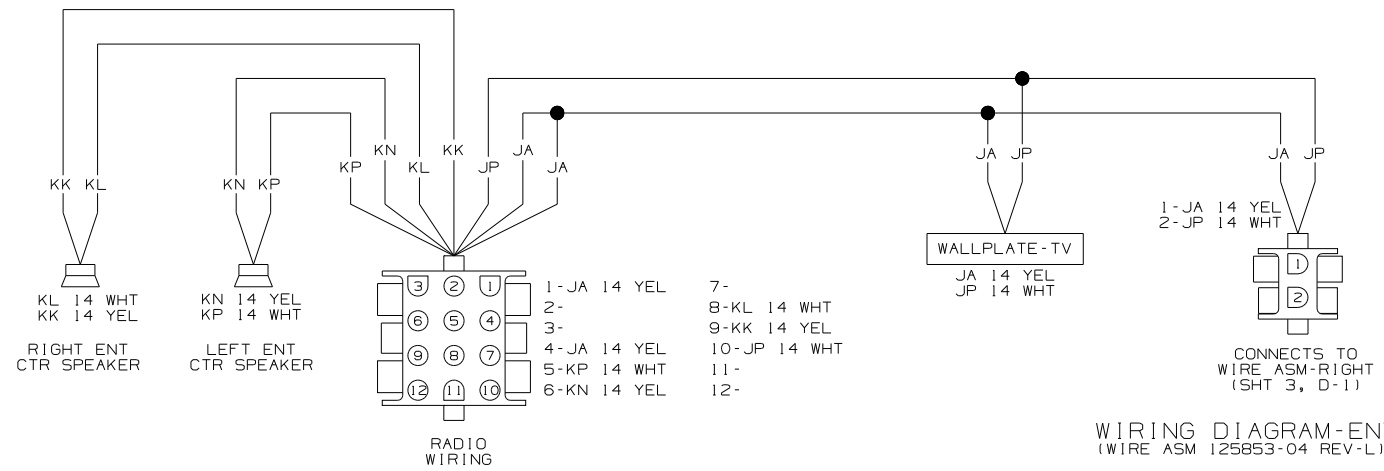
NOTES:



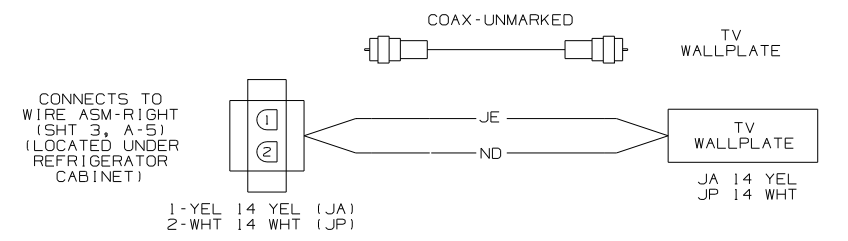
FIRST USED	05 332G
DO NOT SCALE DRAWING	
TITLE:	WIRING DIGRAM-BODY, 12V
SHEET 5	PART NO 150067



CONNECTS TO WIRE ASM-RIGHT (SHT 3, A-5) (LOCATED IN REFRIGERATOR CABINET)  
 1-YEL 14 YEL (PJ)  
 2-WHT 14 WHT (NF)  
 WIRING DIAGRAM-EXTENSION, 2 PIN  
 (WIRE ASM 133572-XX REV E)



RADIO WIRING  
 1-JA 14 YEL  
 2-  
 3-  
 4-JA 14 YEL  
 5-KP 14 WHT  
 6-KN 14 YEL  
 7-  
 8-KL 14 WHT  
 9-KK 14 YEL  
 10-JP 14 WHT  
 11-  
 12-  
 WALLPLATE-TV  
 JA 14 YEL  
 JP 14 WHT  
 1-JA 14 YEL  
 2-JP 14 WHT  
 CONNECTS TO WIRE ASM-RIGHT (SHT 3, D-1)  
 WIRING DIAGRAM-ENTERTAINMENT CENTER  
 (WIRE ASM 125853-04 REV-L)



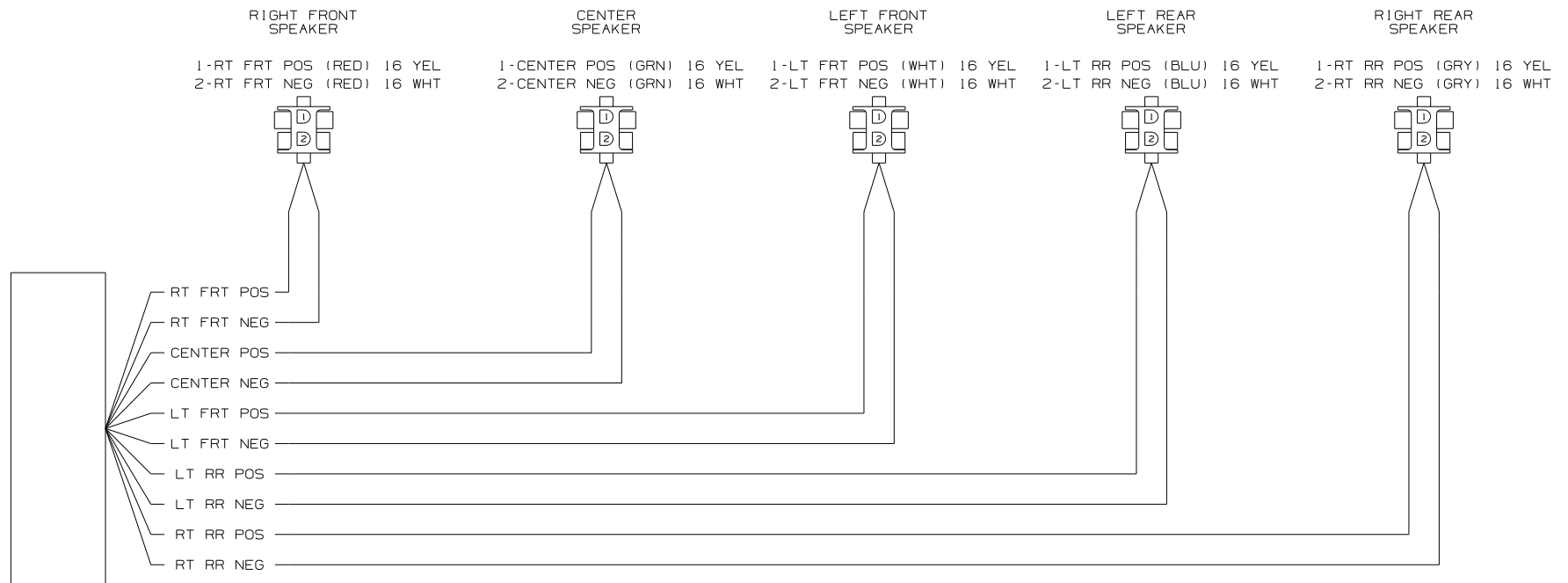
CONNECTS TO WIRE ASM-RIGHT (SHT 3, A-5) (LOCATED UNDER REFRIGERATOR CABINET)  
 1-YEL 14 YEL (JA)  
 2-WHT 14 WHT (JP)  
 WIRING DIAGRAM-EXTENSION  
 (WIRE ASM 144958 REV B)

CONNECTS TO WIRE ASM-CHASSIS (SHT 1, D-8) (LOCATED UNDER STOVE CABINET)



CONNECTS TO WIRE ASM-CHASSIS (SHT 1, D-8) (LOCATED UNDER STOVE CABINET)  
 1-JD 14 YEL  
 2-ND 14 WHT  
 3-LA 16 YEL  
 4-LC 16 WHT  
 WIRING DIAGRAM-SLIDEOUT, ROOM  
 (WIRE ASM 142435 REV-C)

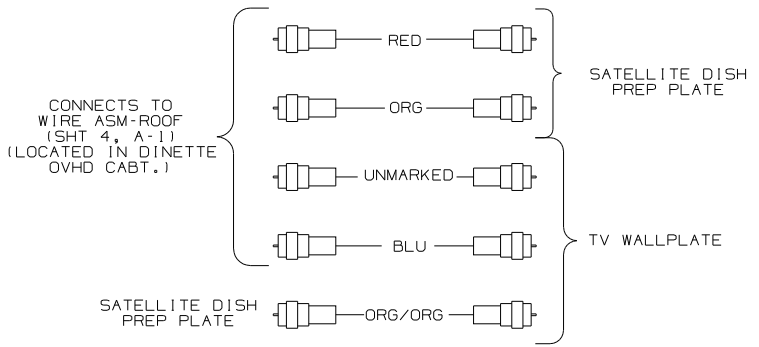
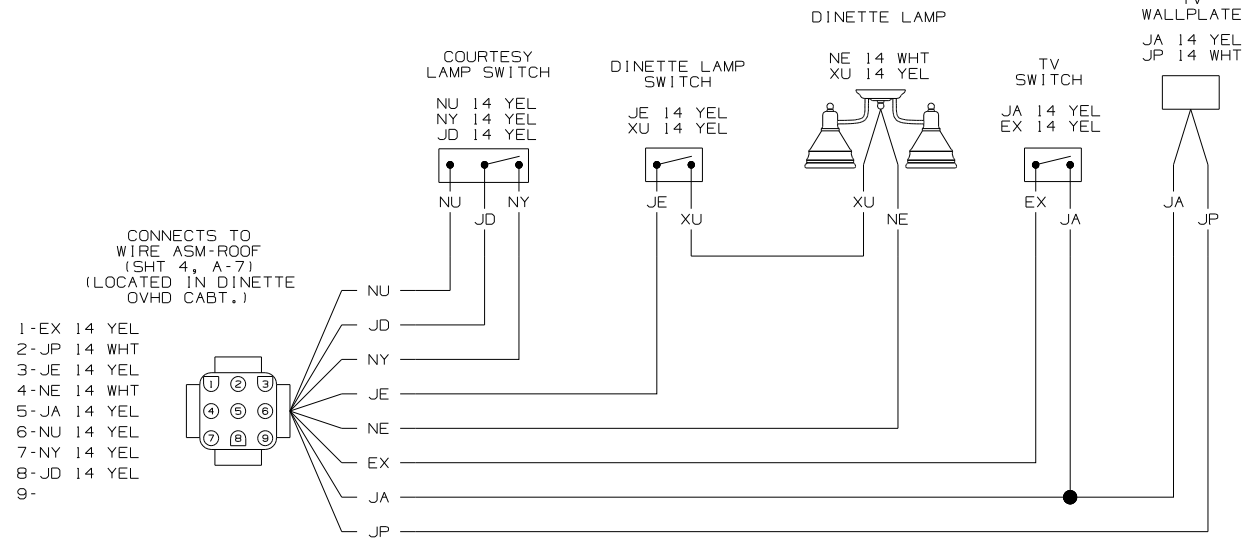
CONNECTS TO HOME THEATER AMPLIFIER  
 RT FRT POS (RED) 16 YEL  
 RT FRT NEG (RED) 16 WHT  
 CENTER POS (GRN) 16 YEL  
 CENTER NEG (GRN) 16 WHT  
 LT FRT POS (WHT) 16 YEL  
 LT FRT NEG (WHT) 16 WHT  
 LT RR POS (BLU) 16 YEL  
 LT RR NEG (BLU) 16 WHT  
 RT RR POS (GRY) 16 YEL  
 RT RR NEG (GRY) 16 WHT



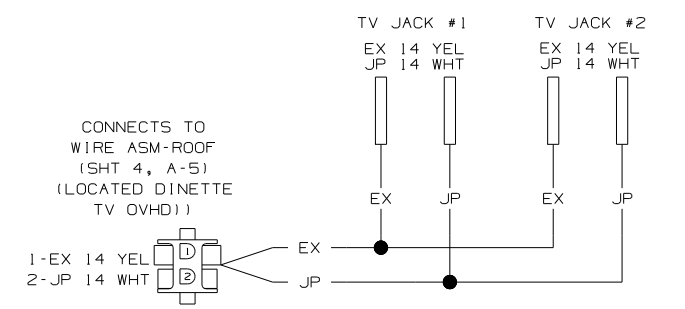
WIRING DIAGRAM-HOME THEATER EXTENSION  
 (WIRE ASM 148883 REV-H)

NOTES:

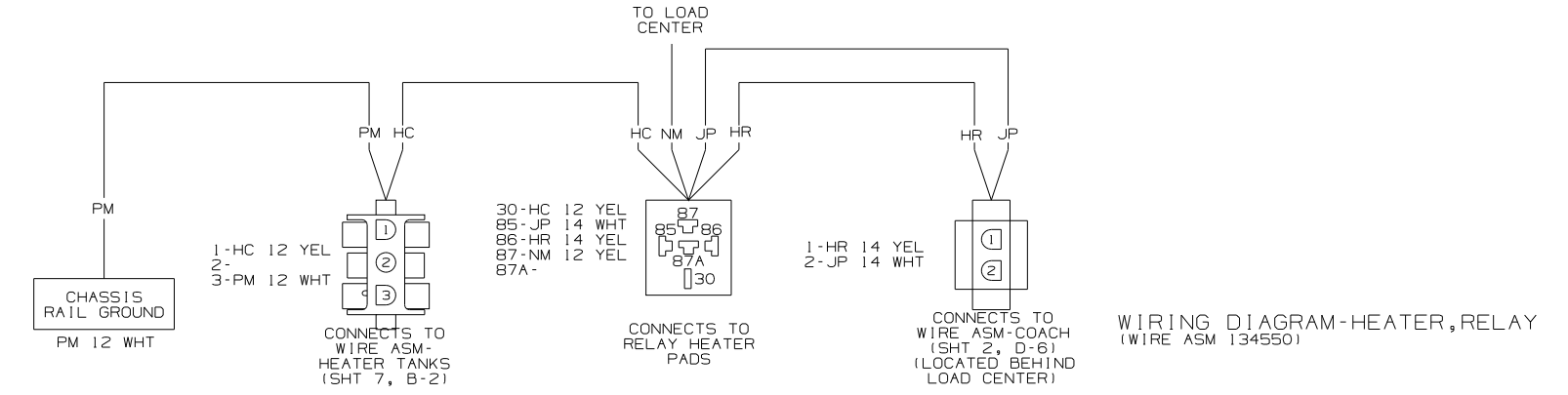
FIRST USED	05 332G
TITLE	DO NOT SCALE DRAWING
SHEET 6	WIRING DIAGRAM-BODY, 12V
PART NO	150067



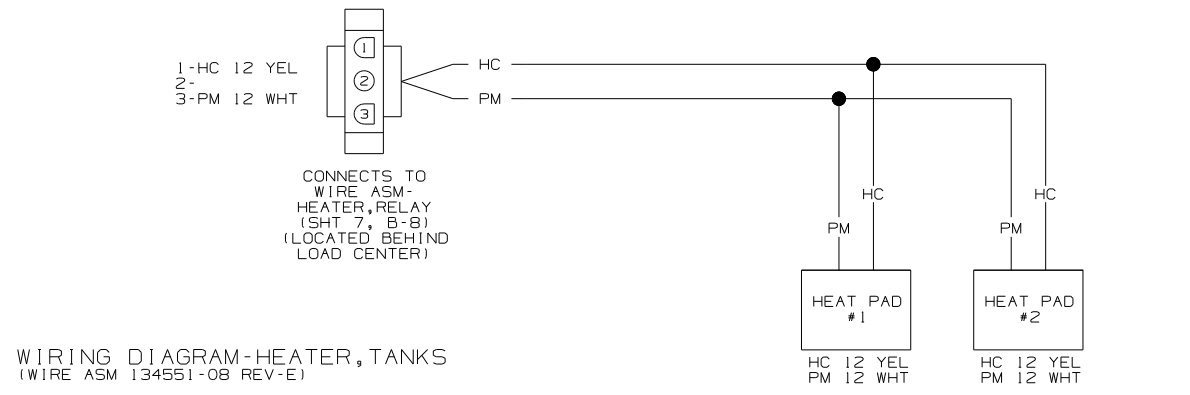
WIRING DIAGRAM-OVHD WIRE ASM-149026 REV-B



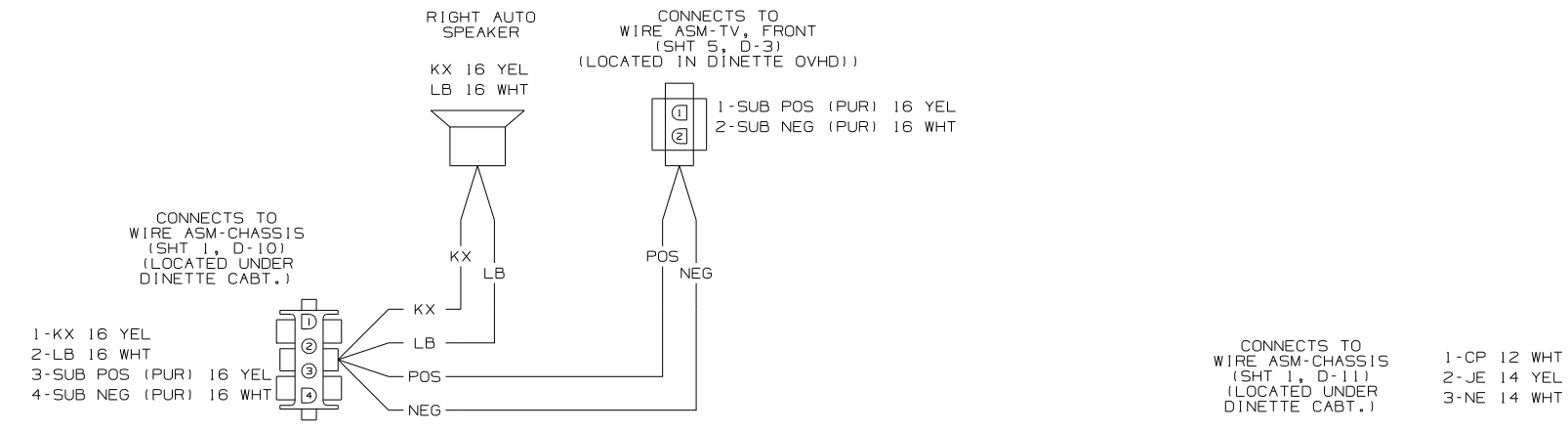
WIRING DIAGRAM-OVHD TV WIRE ASM-149050 REV-A



WIRING DIAGRAM-HEATER, RELAY (WIRE ASM 134550)

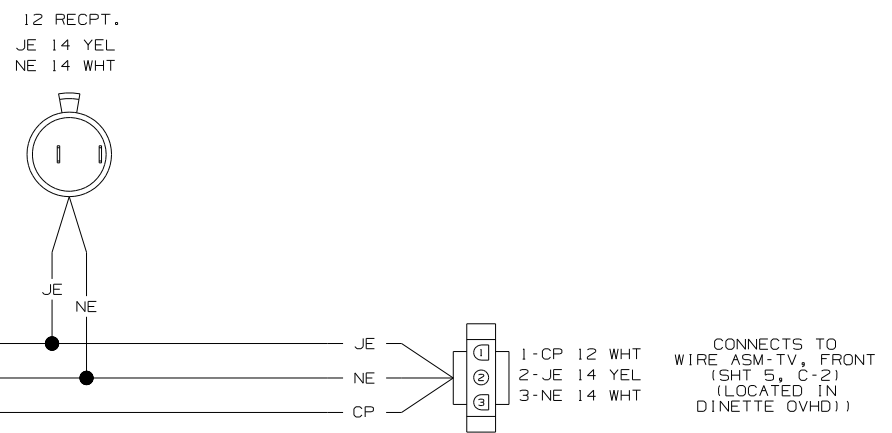


WIRING DIAGRAM-HEATER, TANKS (WIRE ASM 134551-08 REV-E)



CONNECTS TO WIRE ASM-CHASSIS (SHT 1, D-11) (LOCATED UNDER DINETTE CABT.)

CONNECTS TO WIRE ASM-TV, FRONT (SHT 5, C-2) (LOCATED IN DINETTE OVHD)



WIRING DIAGRAM-SIDEWALL (WIRE ASM 150073 REV-B)

NOTES:

FIRST USED	05 332G
DO NOT SCALE DRAWING	
TITLE	WIRING DIAGRAM-BODY, 12V
SHEET 7	PART NO 150067
1 7/20/2004	