



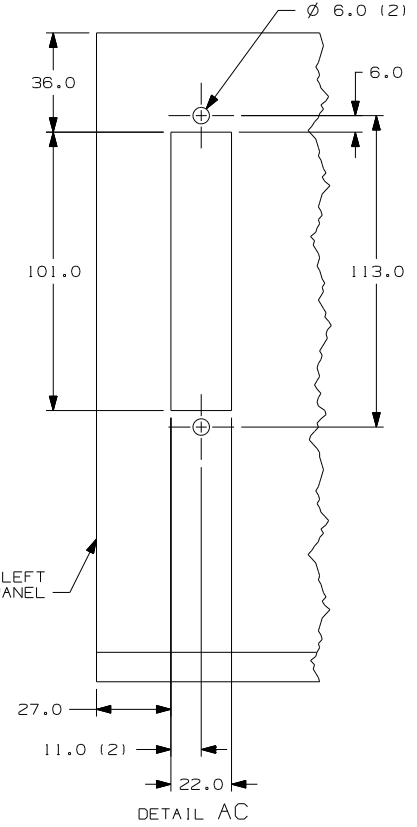
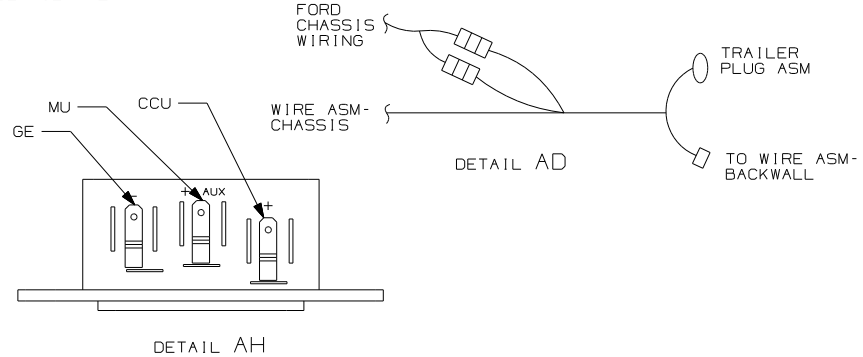
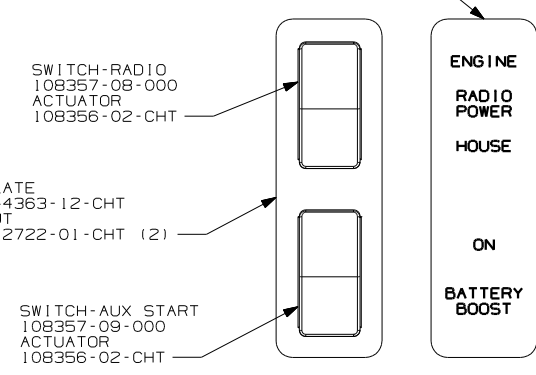
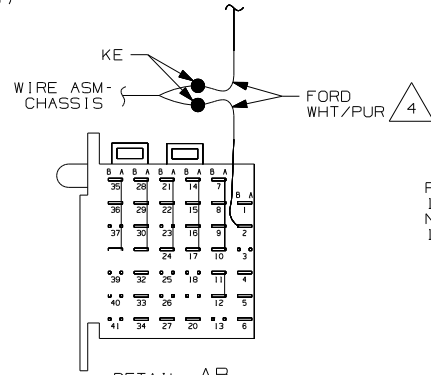
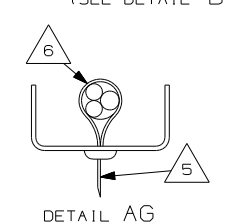
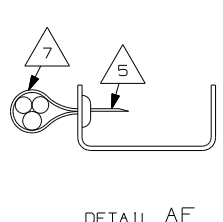
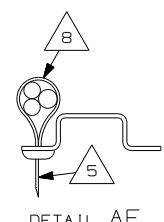
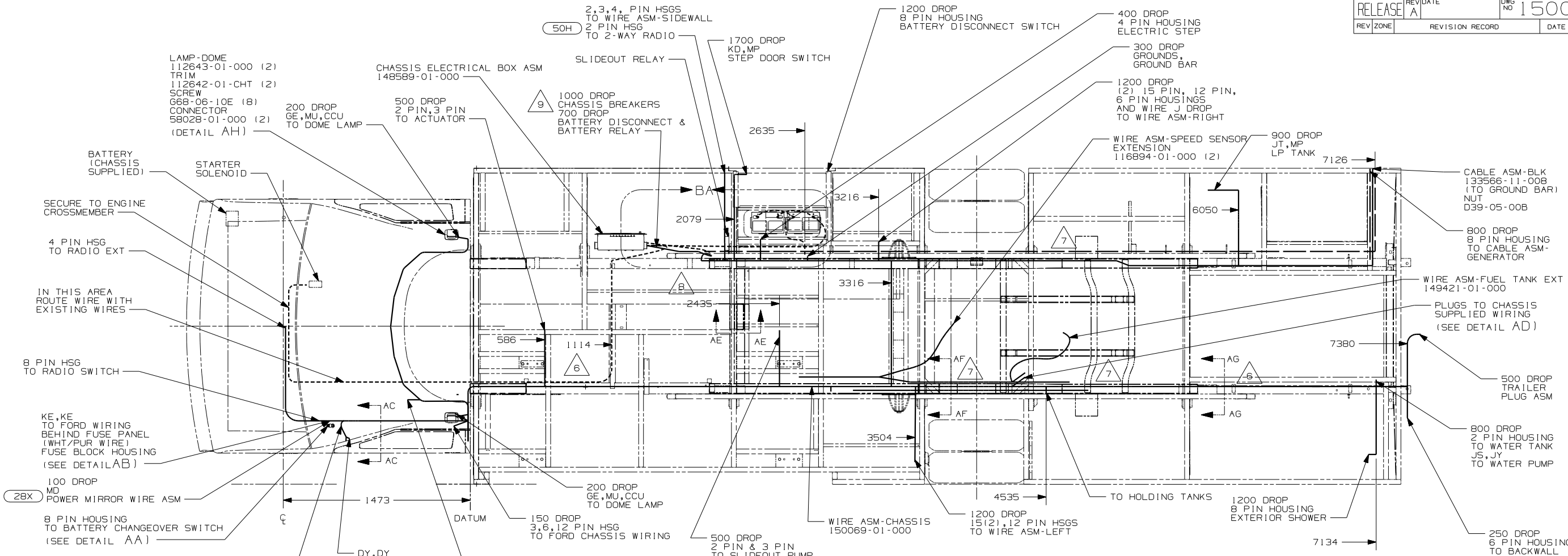
DANGER

Danger of electrical shock, burns or death. Always remove all power sources before attempting any repair, service or diagnostic work. Power can be present from shore power, generator, inverter or battery. All power sources must be disabled and secured before performing any service.



CAUTION

If you lack the skills, tools or equipment to perform diagnostic or repair work leave such work to an authorized Winnebago Industries dealer or other qualified shop.

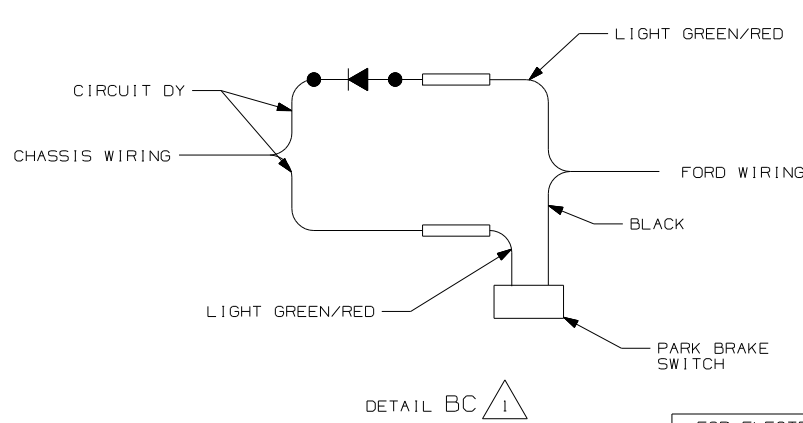
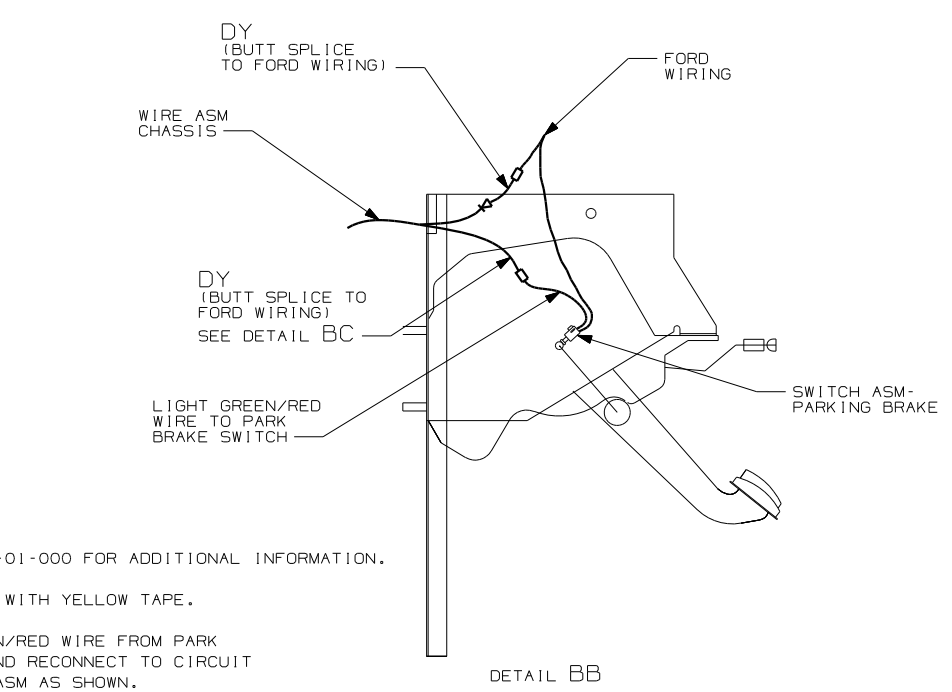
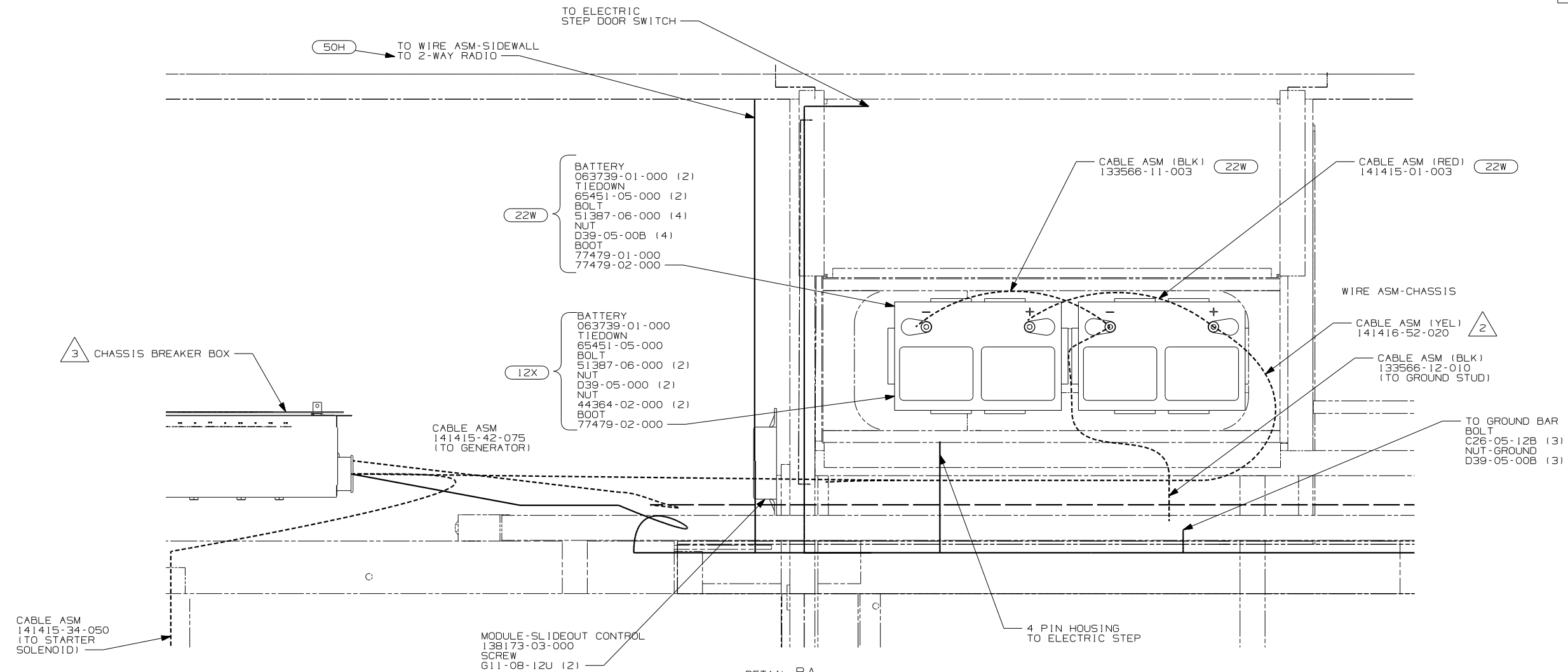


- (74A) RR MONITOR SYS-SUNVISOR MNTR
- (50H) RADIOS, TWO-WAY (4)
- (28X) MIRRORS-EXTERIOR W/DEFROST
- (16E) FORD CHASSIS 14,050 LB. GVWR
- (1E2) ENTRANCE STEP-ELECTRIC

WINNEBAGO		COPYRIGHT 2004 WINNEBAGO INDUSTRIES, INC.	
DFTR	ORIG. DATE	ALL DIMENSIONS ARE IN MILLIMETERS	
CHKR		FIRST USED	
P.E.		05 3326	
M.E.		UNSPECIFIED TOLERANCES ARE:	
DSNR		MATERIAL:	
		WHOLE DIM (X)	:
		ONE-PLACE (X.X)	:
		TWO-PLACE (X.XX)	:
		ANGLE	:
THIRD ANGLE PROJECTION			
DO NOT SCALE DRAWING			
TITLE: WIRING INSTL-CHASSIS			
SHEET 1 OF 2	PART NO	150065	

- 9 SEE DRAWING 148589-01-000 FOR ADDITIONAL INFORMATION.
 8 WIRES TO BE TIED TO CROSS MEMBER USING EXISTING HOLES.
 7 WIRES TO BE TIED ON TOP OF RAIL USING EXISTING HOLES.
 6 WIRES TO BE INSIDE RAIL USING EXISTING HOLES.
 5 CUT OFF EXCESS END OF WIRE TIE.
 4 CUT WIRE AND RECONNECT AS SHOWN.
 3. USE WIRE TIE 8343-04-000 AND 116673-01-000 APPROXIMATELY 600MM ON CENTER UNLESS OTHERWISE SPECIFIED.
 2. SECURE CONDUIT 41953-01-000 OVER ALL WIRE IN CONTACT WITH SHARP EDGES.
 1. LEGEND: - - - FORD WIRING ——— WINNEBAGO WIRING CABLE.

NOTES:



- 50H RADIOS, TWO-WAY (4)
- 22W BATTERY-SECOND
- 12X BATTERY-ONE

3 SEE DWG 148589-01-000 FOR ADDITIONAL INFORMATION.

2 LEAD IS MARKED WITH YELLOW TAPE.

1 CUT LIGHT GREEN/RED WIRE FROM PARK BRAKE SWITCH AND RECONNECT TO CIRCUIT DY OF CHASSIS ASM AS SHOWN.

NOTES:

FOR ELECTRICAL TORQUE SPECIFICATIONS SEE DWG NO. 128783-01-000

FOR ELECTRICAL CALLOUTS SEE DWG NO. 121339-01-000

FIRST USED	05 332G
DO NOT SCALE DRAWING	
TITLE:	WIRING INSTL-CHASSIS
SHEET 2	PART NO 150065