

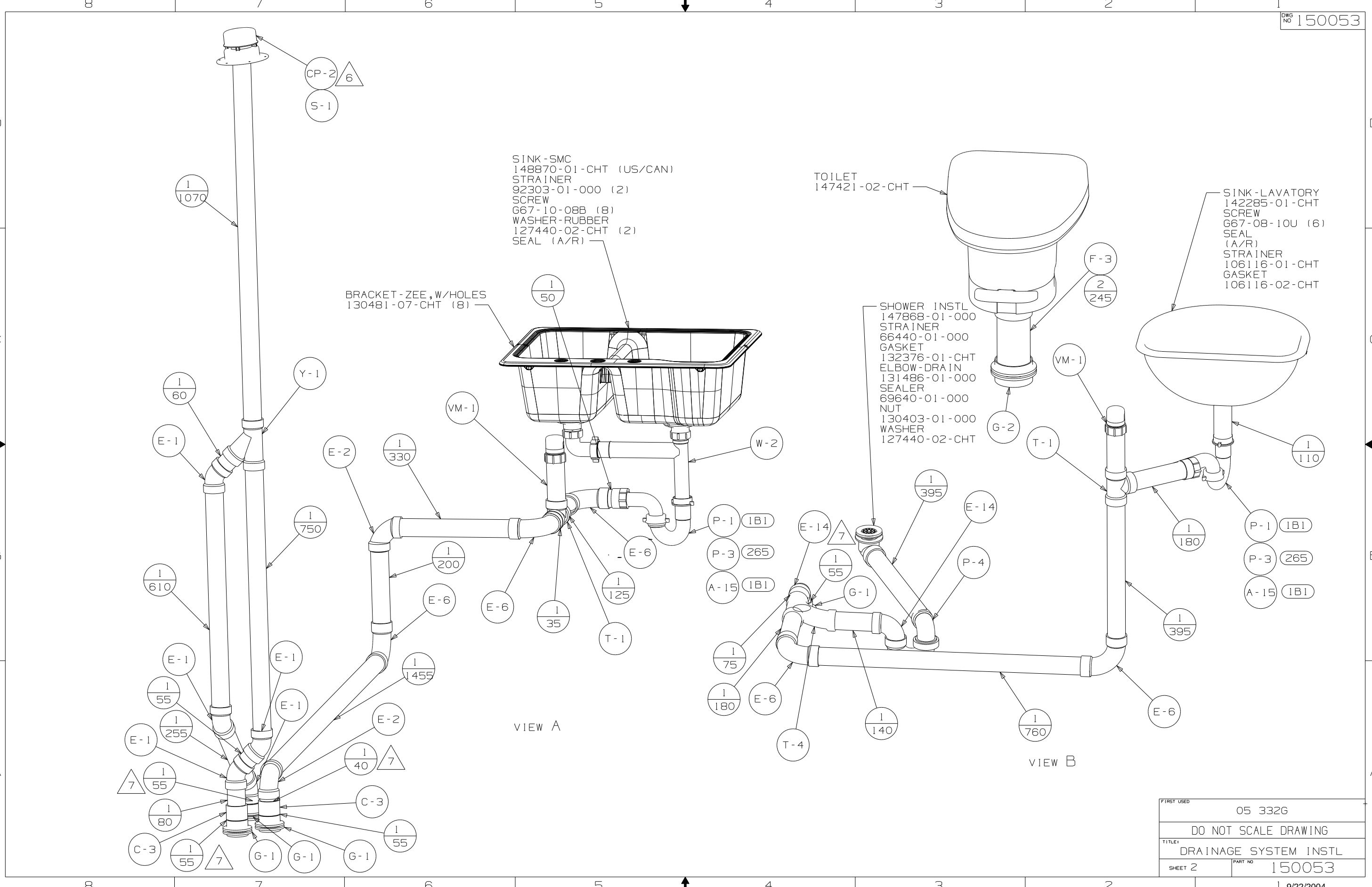
FRONT  
OF  
COACH

- NOTES:
9. SEE WIRING INSTL-BODY, 12V FOR ELECTRICAL CONNECTION.
  8. SECURE PIPES TO CABINET USING WIRE TIE 108046-02-000 AND SCREW G67-10-12B.
  7. SECURE VENT TO FLOOR WITH BRACKET 136878-01-CHT CLAMP 62401-02-000, SCREW G67-10-12B.
  6. VENT PIPE MUST PROJECT 51 MIN AND 64 MAX ABOVE ROOF FOR PROPER FIT AND FUNCTION.
  5. SEAL AROUND SHOWER WITH SILICONE.
  4. ALL EXTERIOR OPENINGS AROUND PIPE TO BE SEALED WITH 110744-01-000.
  3. ALL PIPE AND FITTINGS TO BE ASSEMBLED WITH SOLVENT 4020-01-000.
  2. SLOPE OF TRAP ARM MUST BE 6 PER 305 mm.
  1. SLOPE OF HORIZONTAL PIPING TO BE MIN 6 PER 305 mm.

- (B1) CODES/STANDARDS-USA
- (265) CODES/STDS-CSA/CMVSS
- (23T) DRAINAGE SYSTEM-HEATED

<b>WINNEBAGO</b>		COPYRIGHT 2004 WINNEBAGO INDUSTRIES, INC.	
DFT	ORIG. DATE	ALL DIMENSIONS ARE IN MILLIMETERS	
CHKR			
P.E.			
M.E.	FIRST USED		
DSNR		05 332G	
UNSPECIFIED TOLERANCES ARE:		MATERIAL:	
WHOLE DIM (X)	: 3		
ONE-PLACE (X.X)	:		
TWO-PLACE (X.XX)	:		
ANGLE	:		
THIRD ANGLE PROJECTION		DO NOT SCALE DRAWING	
TITLE: DRAINAGE SYSTEM INSTL			
SHEET 1 OF 3		PART NO 150053	

(X-X)  
FOR  
DRAINAGE  
CALLOUTS  
SEE DWG NO  
116229-01-000



SINK-SMC  
 148870-01-CHT (US/CAN)  
 STRAINER  
 92303-01-000 (2)  
 SCREW  
 G67-10-08B (8)  
 WASHER-RUBBER  
 127440-02-CHT (2)  
 SEAL (A/R)

TOILET  
 147421-02-CHT

SINK-LAVATORY  
 142285-01-CHT  
 SCREW  
 G67-08-10U (6)  
 SEAL (A/R)  
 STRAINER  
 106116-01-CHT  
 GASKET  
 106116-02-CHT

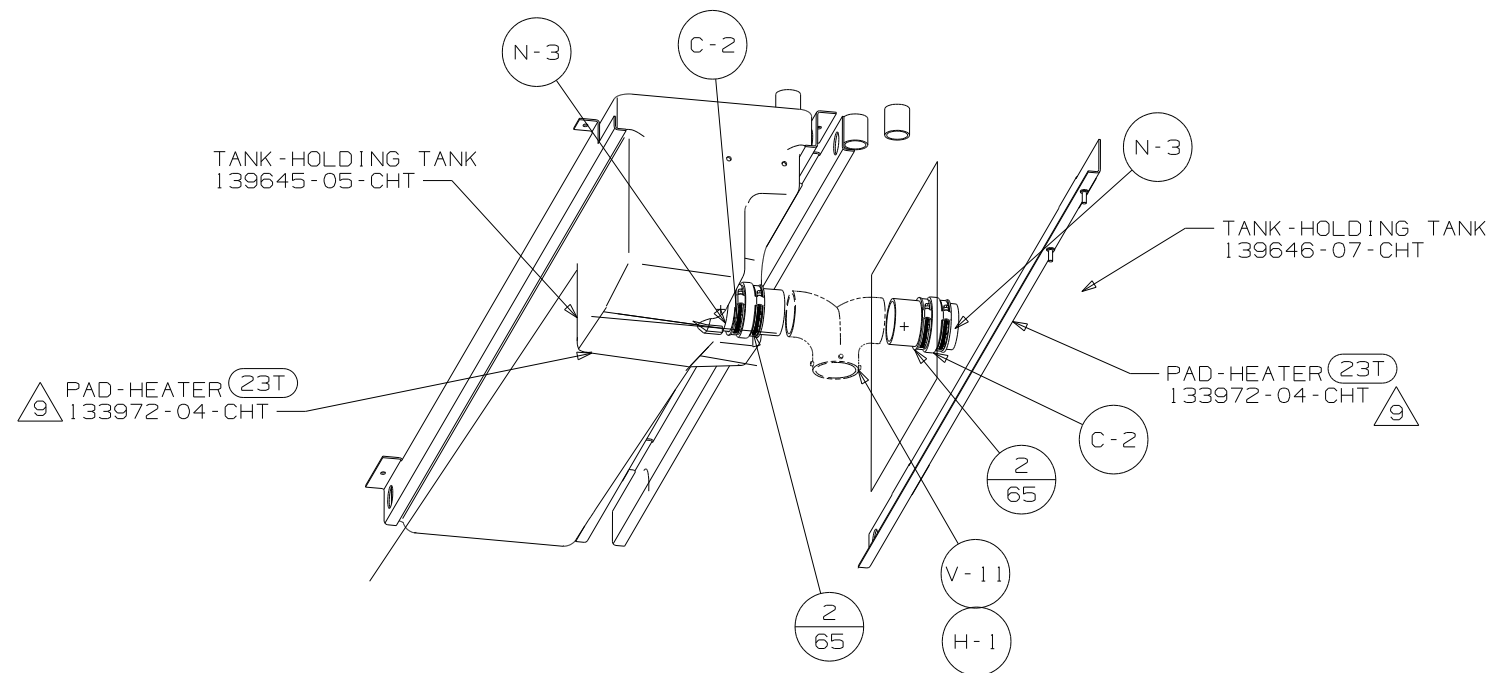
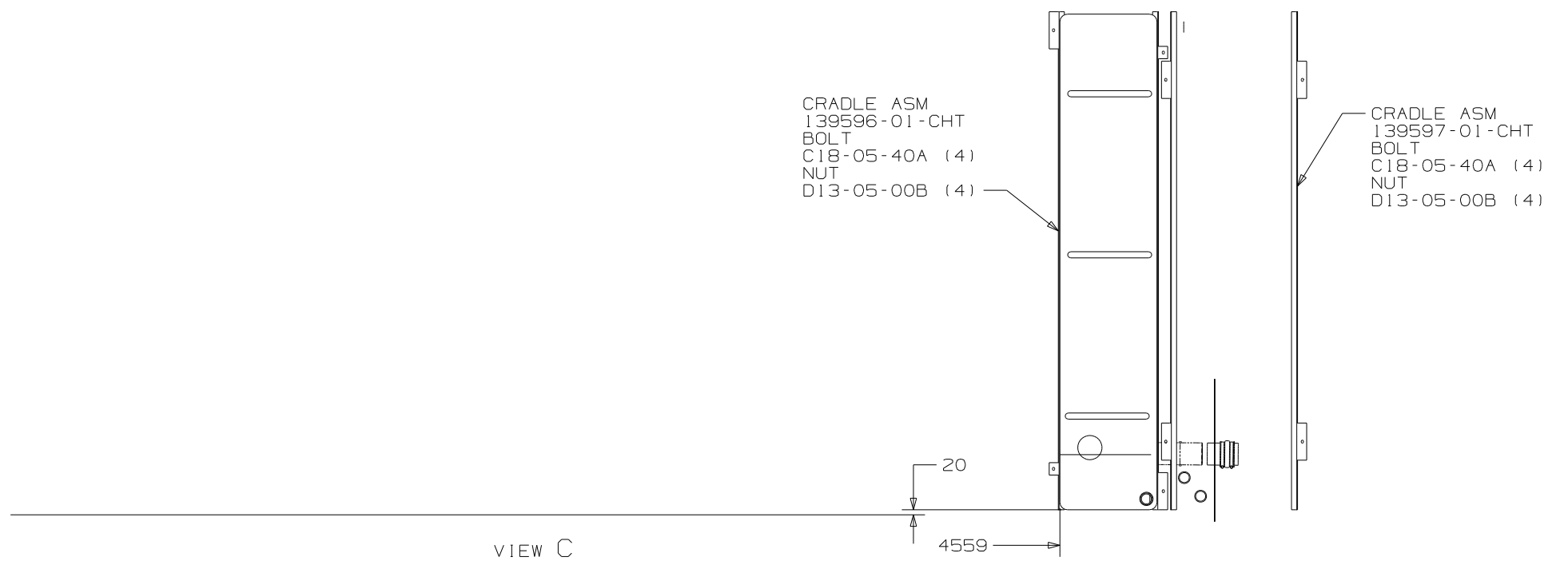
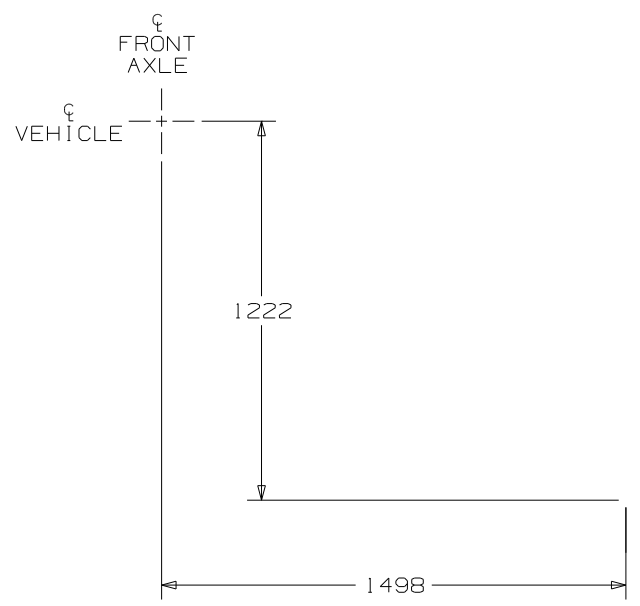
BRACKET-ZEE, W/HOLES  
 130481-07-CHT (8)

SHOWER INSTL  
 147868-01-000  
 STRAINER  
 66440-01-000  
 GASKET  
 132376-01-CHT  
 ELBOW-DRAIN  
 131486-01-000  
 SEALER  
 69640-01-000  
 NUT  
 130403-01-000  
 WASHER  
 127440-02-CHT

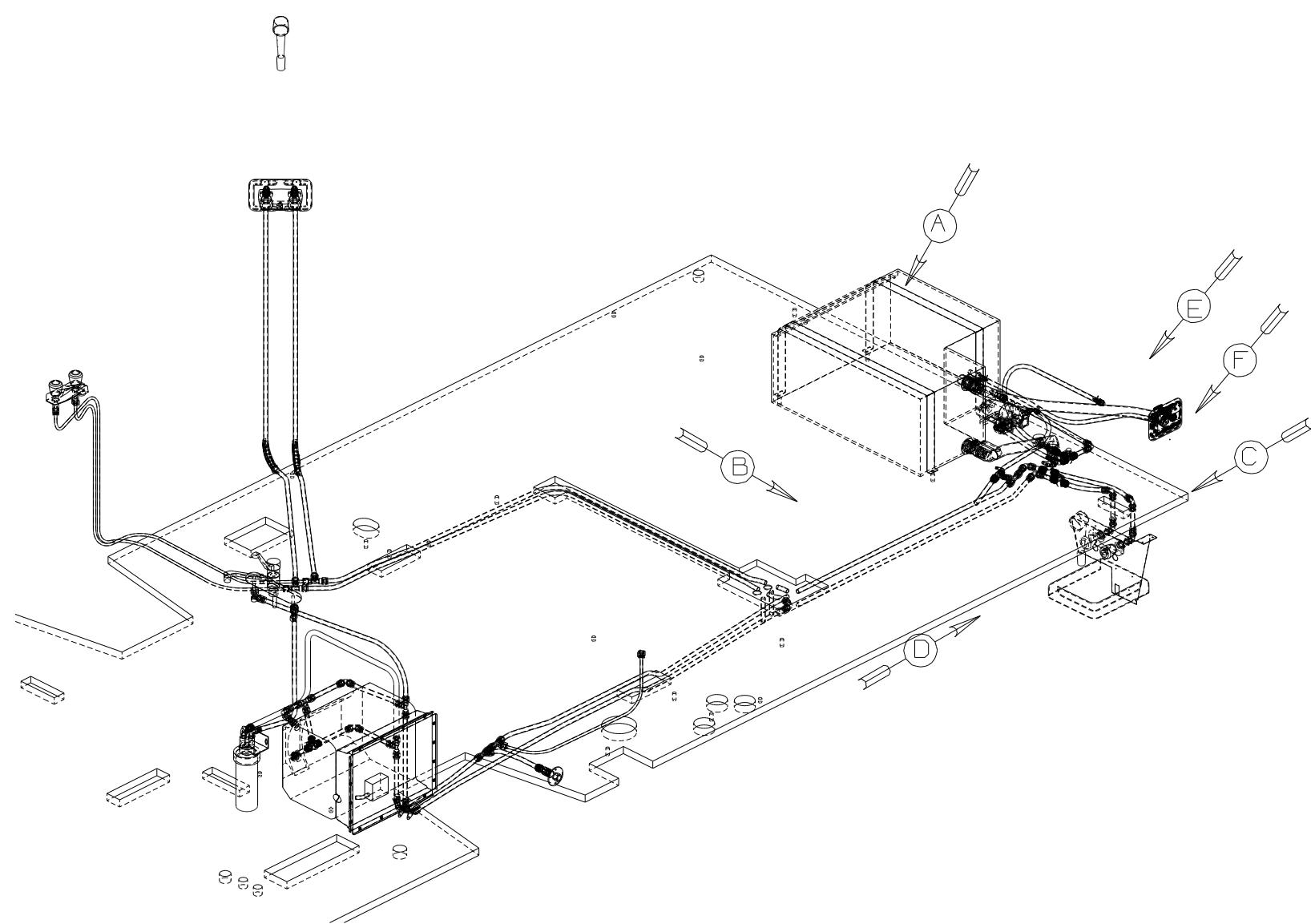
VIEW A

VIEW B

FIRST USED	05 332G
DO NOT SCALE DRAWING	
TITLE	DRAINAGE SYSTEM INSTL
SHEET 2	PART NO 150053



FIRST USED	05 332G
DO NOT SCALE DRAWING	
TITLE	DRAINAGE SYSTEM INSTL
SHEET 3	PART NO 150053



- (64R) EXTERIOR WASH STATION
- (1J4) EXT WASH STATION-WITHOUT
- (501) WATER PURIFIER WITHOUT
- (29B) WATER PURIFIER
- (49X) BED-QUEEN-BACKWALL
- (53P) WINTERIZING VALVE, MANUAL
- (53E) WINTERIZATION PACKAGE
- (53F) WATER HEATER-6 GAL ELEC IGN

- NOTES:
- 5 ALL TEFLON TAPE 10405-01-000 TO FITTING.
  - 4 ADD TEFLON TAPE 10405-02-000 TO FITTING.
  - 3. ALL TUBING TO BE SECURED AT 1200 INTERVALS MAXIMUM WITH CLAMP 10495-01-000 OR CLIP 9151-01-000 AND SCREW 667-10-12B.
  - 2. TUBING TO BE INSTALLED WITH SUFFICIENT SLOPE TO PROVIDE DRAINAGE TO NEAREST VALVE.
  - 1. PLASTIC FITTINGS TO BE SEALED WITH SEALANT 84456-01-000.

<b>WINNEBAGO</b>		COPYRIGHT 2005 WINNEBAGO INDUSTRIES, INC.	
DFTR	ORIG. DATE	ALL DIMENSIONS ARE IN MILLIMETERS	
CHKR		FIRST USED	
P.E.		05 332G	
M.E.		UNSPECIFIED TOLERANCES ARE:	
DSNR		MATERIAL:	
		WHOLE DIM (X)	: 3
		ONE-PLACE (X.X)	:
		TWO-PLACE (X.XX)	:
		ANGLE	:
THIRD ANGLE PROJECTION		DO NOT SCALE DRAWING	
TITLE: WATER SYSTEM INSTL			
SHEET 1 OF 4		PART NO 150052	

(X-X)  
FOR  
WATER  
CALLOUTS  
SEE DWG NO  
116230-01-000

WATER HEATER  
 51391-03-000  
 DOOR  
 78506-01-CHT (53F)  
 AL EXTR  
 2726-01-210 (2)  
 2726-01-212 (2)  
 SCREW  
 639-10-169 (18)  
 SEALANT  
 CABLE  
 76767-03-000  
 SCREW  
 611-06-08B (2)

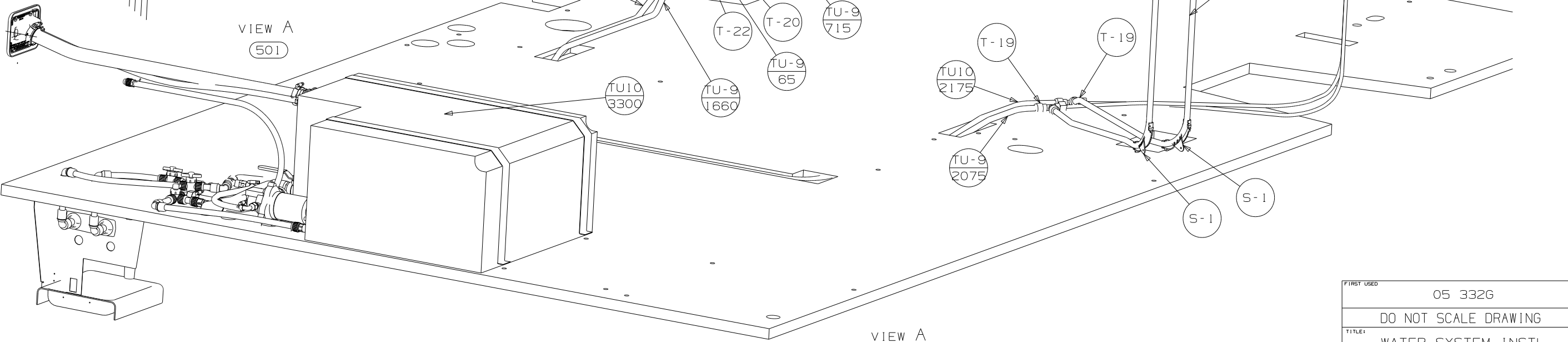
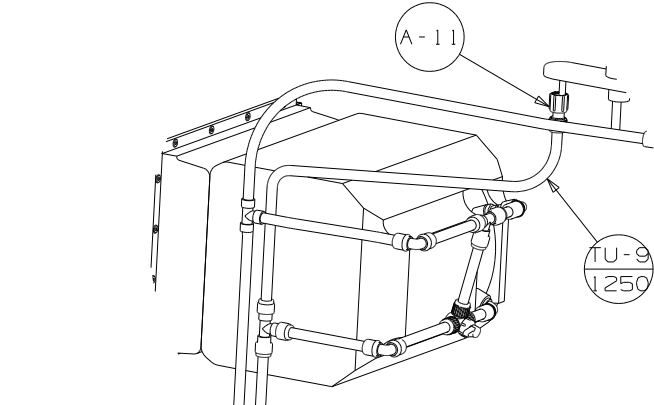
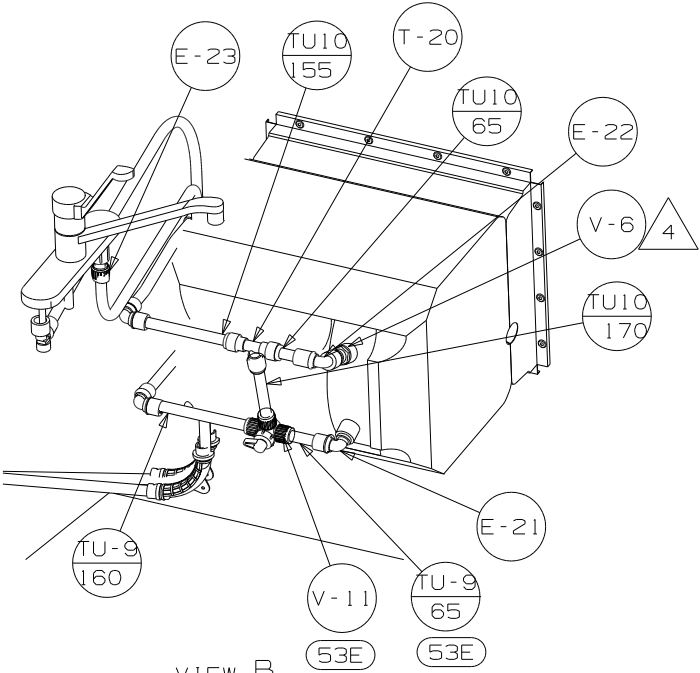
FAUCET  
 149164-01-CHT  
 SPACER-FAUCET  
 137079-02-CHT

FAUCET-SHOWER  
 79563-03-CHT  
 PANEL  
 78498-01-CHT  
 SCREW  
 611-08-12B (4)  
 COVER  
 78500-01-CHT

FAUCET-LAVATORY  
 79527-01-CHT  
 GASKET  
 91253-01-CHT

SCREW  
 668-06-10U (2)  
 SEALANT

FILTER (29B)  
 87200-01-000  
 CARTRIDGE  
 87200-02-000  
 SCREW  
 667-10-12U (2)



FIRST USED	05 332G
TITLE	DO NOT SCALE DRAWING
TITLE	WATER SYSTEM INSTL
SHEET 2	PART NO 150052

- TANK ASM-WATER, 31 GAL
- 64214-24-000
- STRAP-TANK, WATER
- 118994-03-CHT
- 118994-04-CHT
- BOLT
- C18-05-40A (4)
- NUT
- D39-05-00B (4)
- WASHER
- E13-16-00B (4)

- VALVE
- 132483-01-000
- ELBOW
- 132781-01-000

- ELBOW
- 132484-01-000

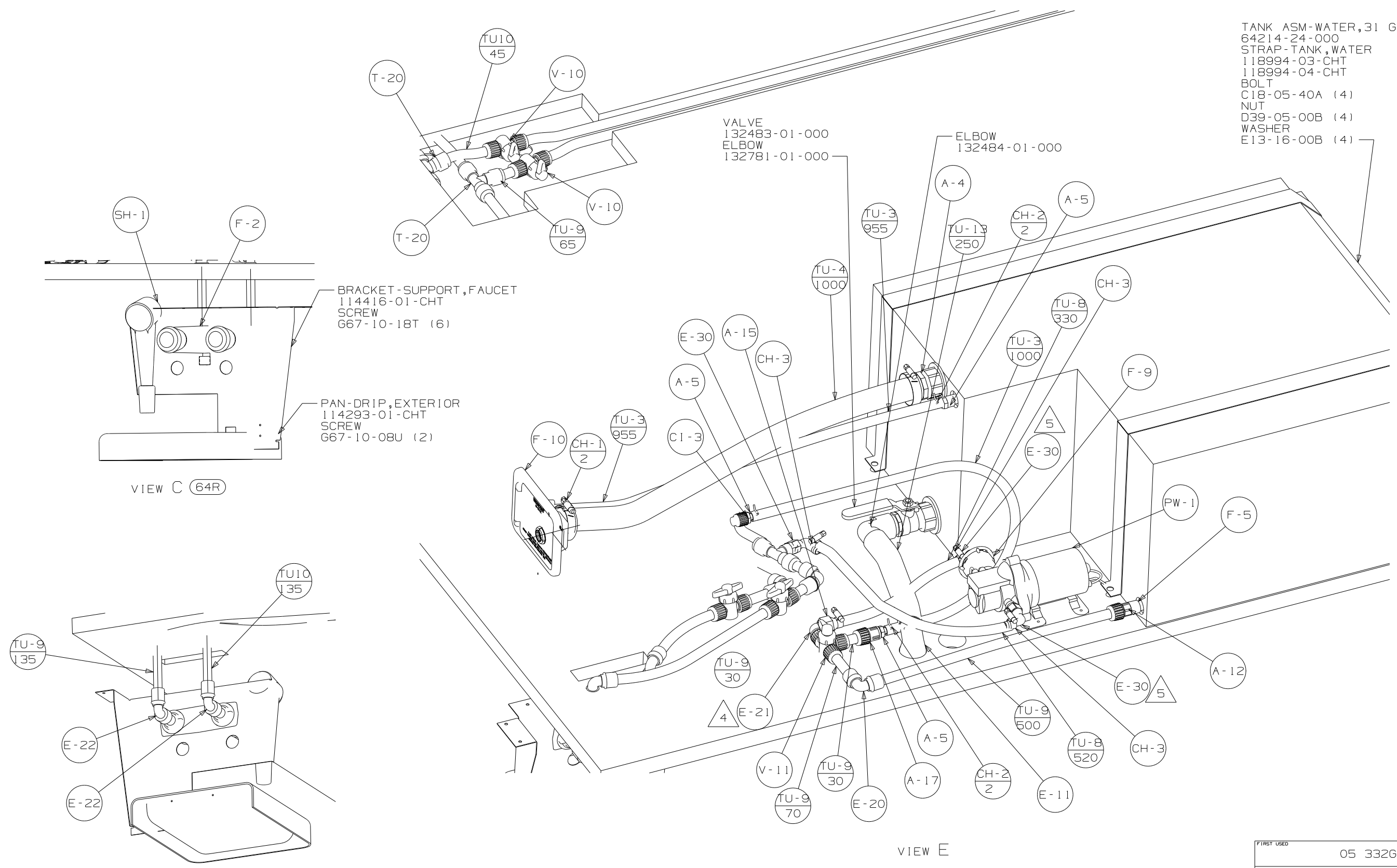
- BRACKET-SUPPORT, FAUCET
- 114416-01-CHT
- SCREW
- G67-10-18T (6)

- PAN-DRIP, EXTERIOR
- 114293-01-CHT
- SCREW
- G67-10-08U (2)

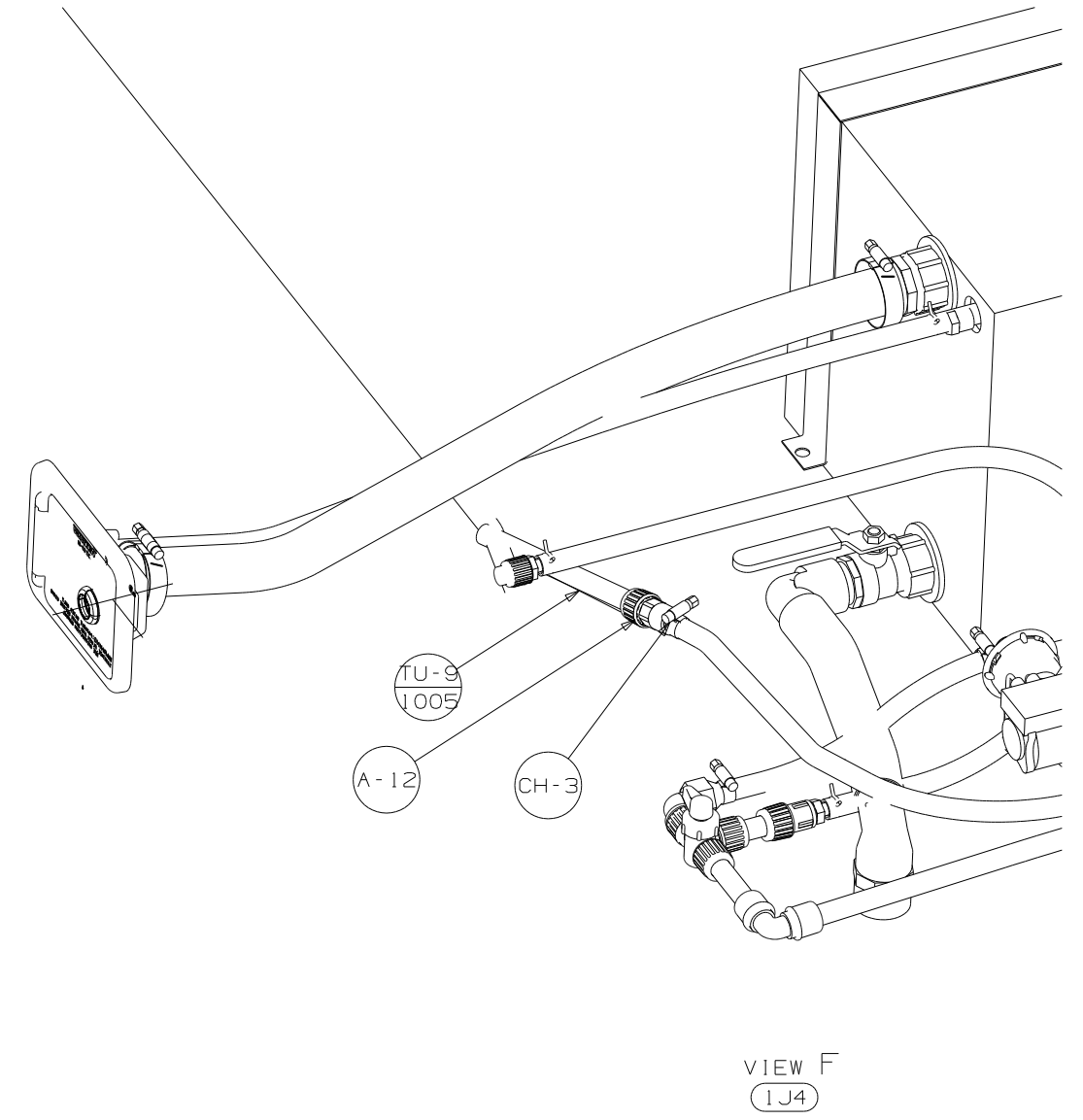
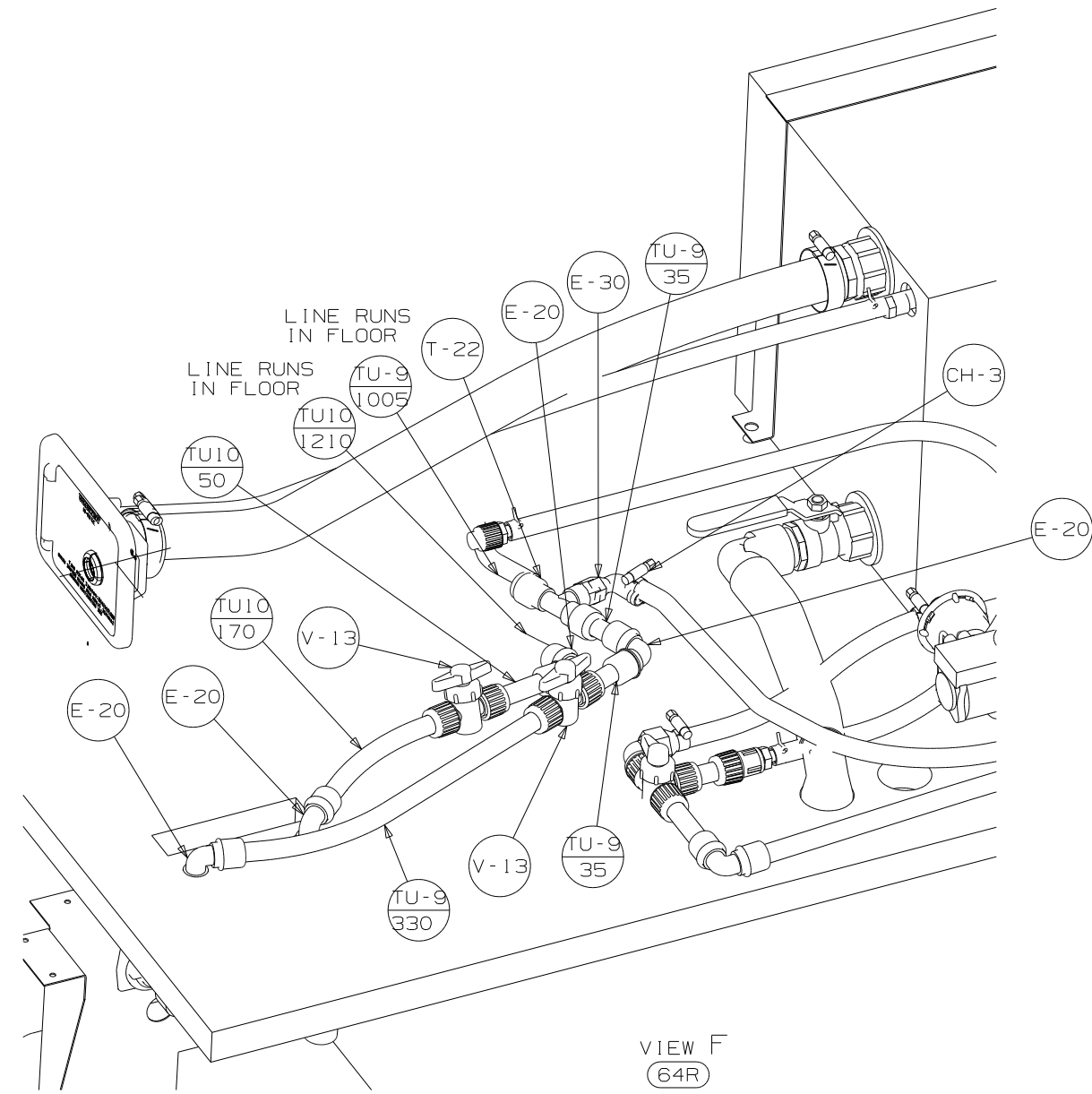
VIEW C (64R)

VIEW D (64R)

VIEW E



FIRST USED	05 332G
TITLE	DO NOT SCALE DRAWING
SHEET 3	PART NO 150052
	1 2/3/2005



FIRST USED	05 332G
TITLE	DO NOT SCALE DRAWING
SHEET 4	PART NO 150052