



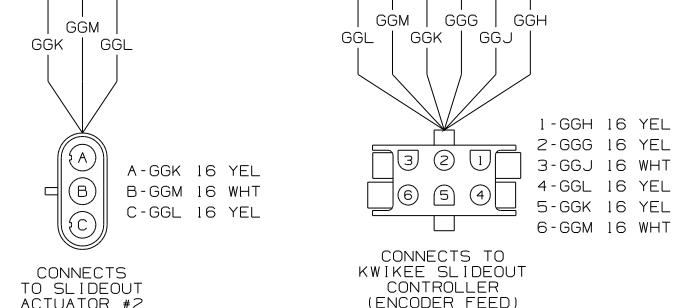
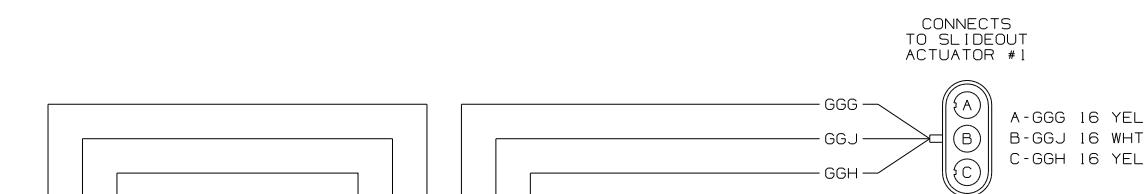
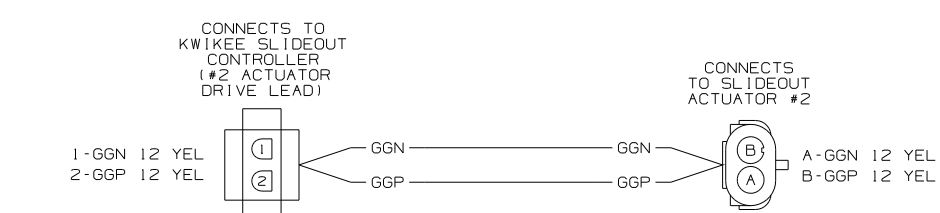
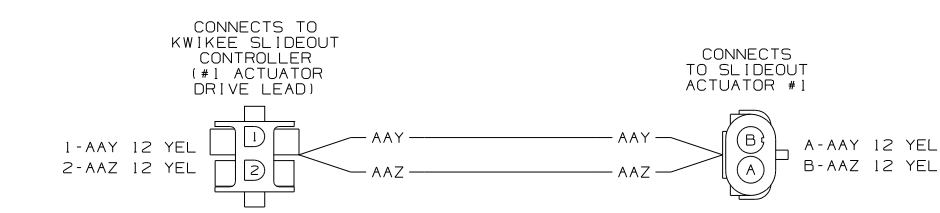
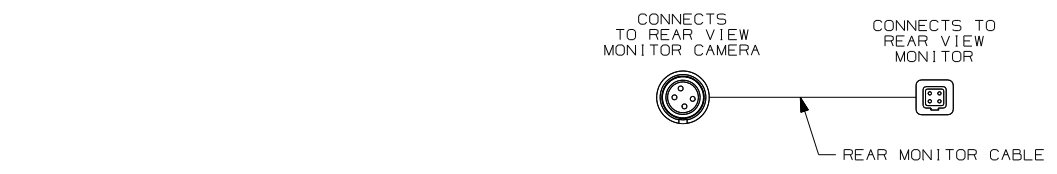
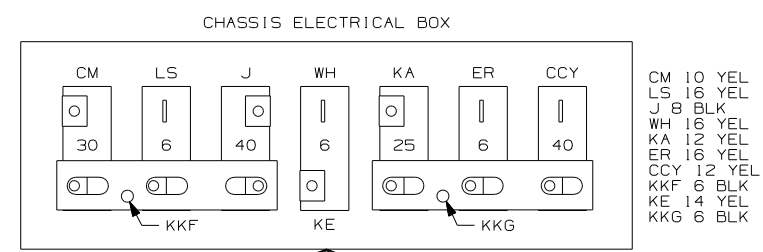
DANGER

Danger of electrical shock, burns or death. Always remove all power sources before attempting any repair, service or diagnostic work. Power can be present from shore power, generator, inverter or battery. All power sources must be disabled and secured before performing any service.

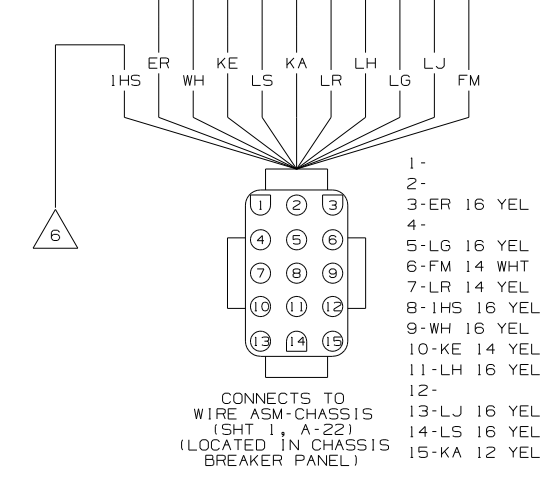
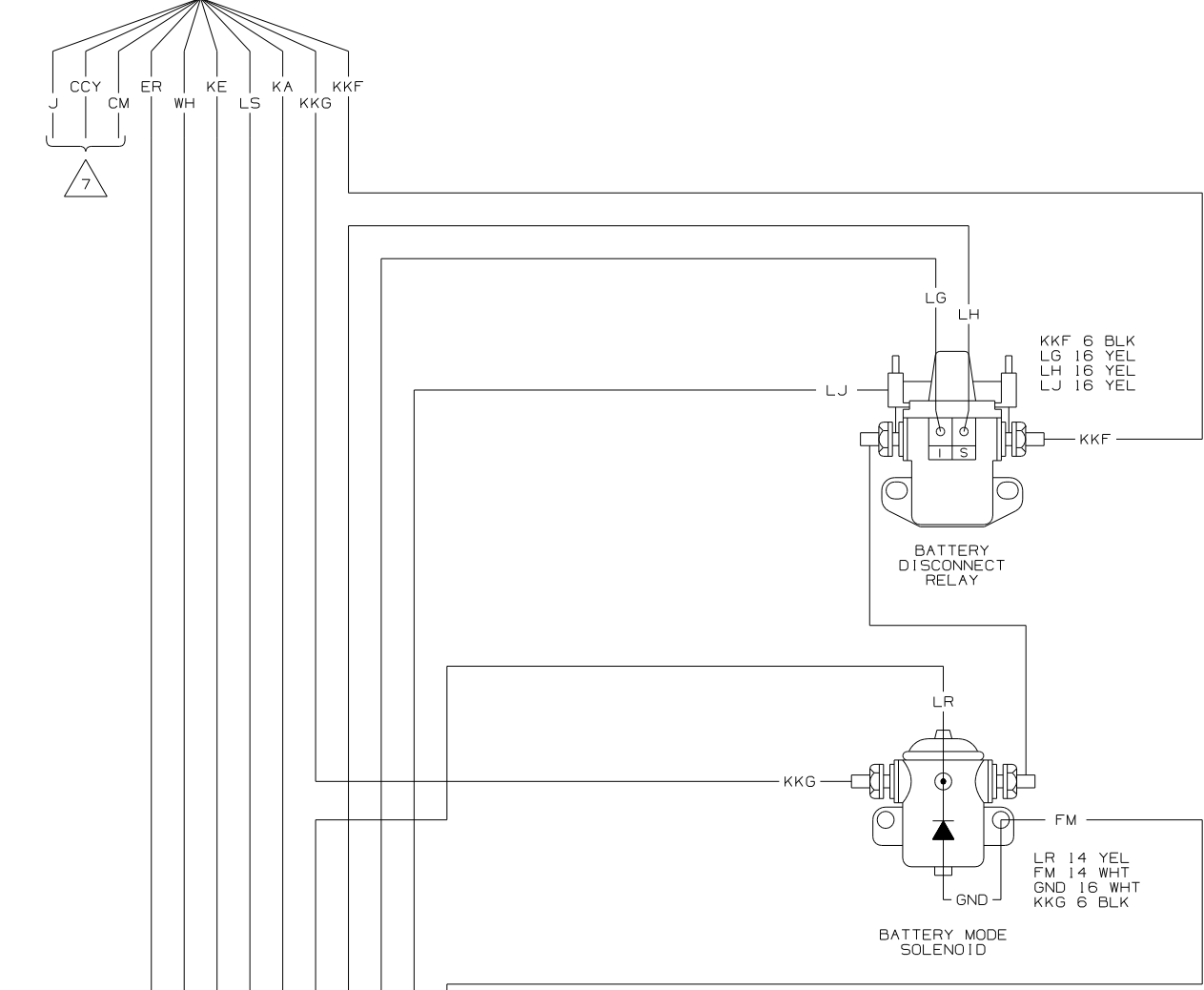


CAUTION

If you lack the skills, tools or equipment to perform diagnostic or repair work leave such work to an authorized Winnebago Industries dealer or other qualified shop.

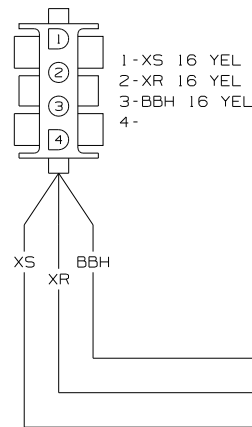


WIRING DIAGRAM-CHASSIS
(WIRE ASM 149380 REV-C)

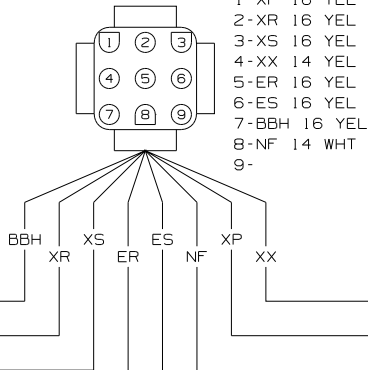


WINNEBAGO		COPYRIGHT 2004 WINNEBAGO INDUSTRIES, INC.	
DFTR	ORIG. DATE	ALL DIMENSIONS ARE IN MILLIMETERS	
CHKR		MATERIAL:	
P.E.		UNSPECIFIED TOLERANCES ARE:	
M.E.	FIRST USED	WHOLE DIM (X) :	
DSNR	05 331C & T	ONE-PLACE (X,X) :	
		TWO-PLACE (X,XX) :	
		ANGLE :	
THIRD ANGLE PROJECTION			
DO NOT SCALE DRAWING			
TITLE: WIRING DIAGRAM-BODY, 12V			
SHEET 1 of 6	PART NO	149378	

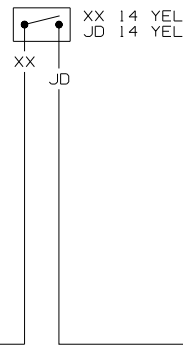
CONNECTS TO THERMOSTAT



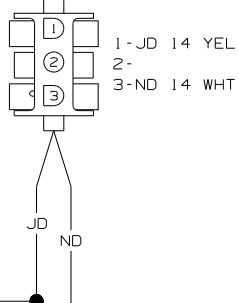
CONNECTS TO WIRE ASM-RIGHT (SHT 2, D-19) (LOCATED BELOW RANGE)



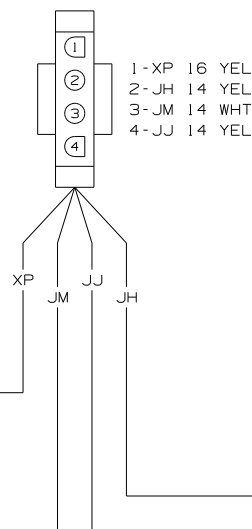
DINETTE CEILING LAMP SWITCH



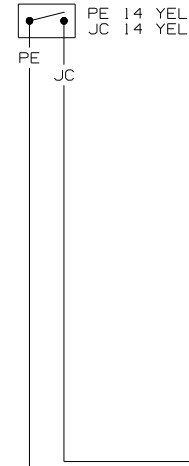
CONNECTS TO WIRE ASM-SIDEWALL (SHT 4, A-5) (LOCATED BELOW DINETTE SEAT)



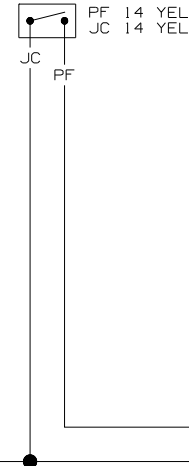
CONNECTS TO THERMOSTAT



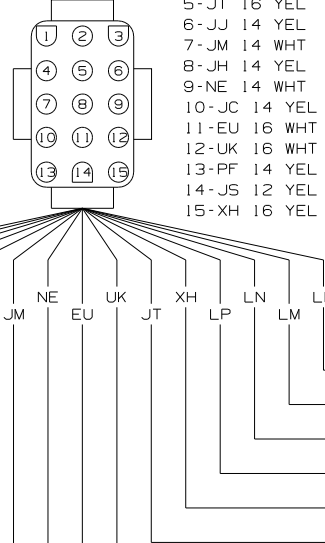
BATH LAMP SWITCH



SHOWER LAMP SWITCH



CONNECTS TO WIRE ASM-RIGHT (SHT 2, D-23) (LOCATED BELOW RANGE)



LL
LM
LN
LP
XH
JT

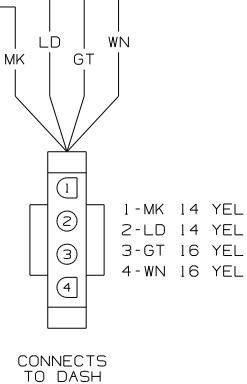
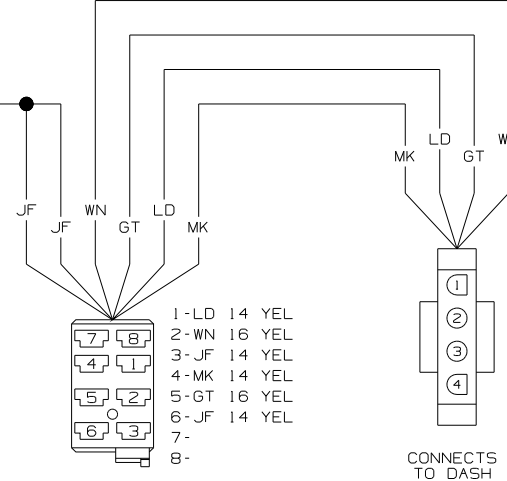
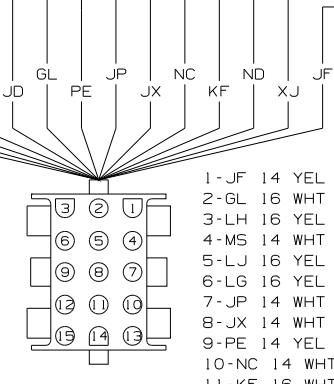
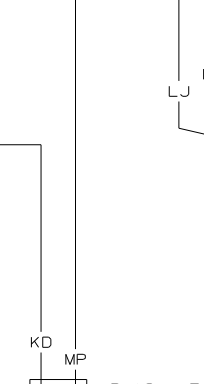
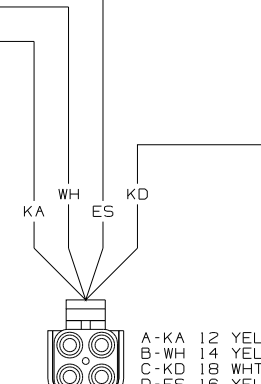
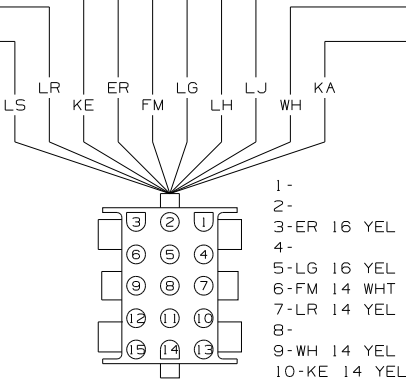
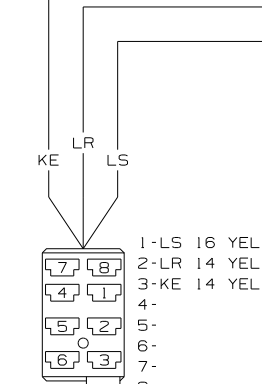
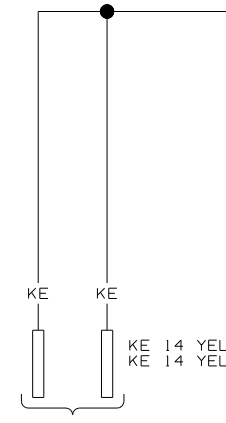
JS

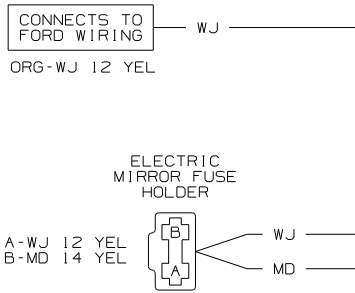
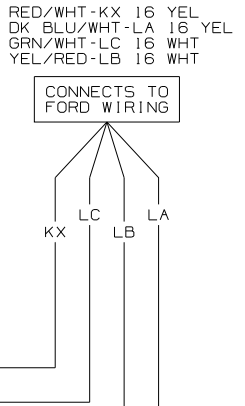
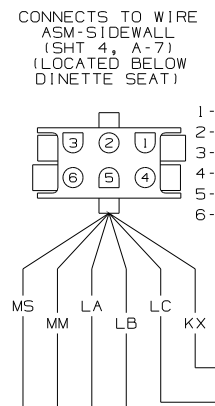
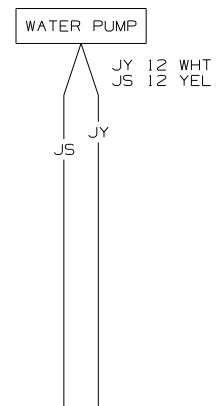
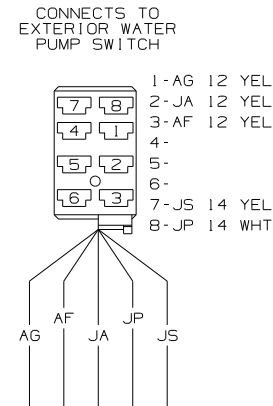
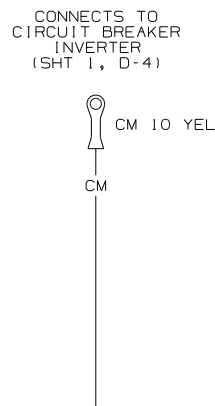
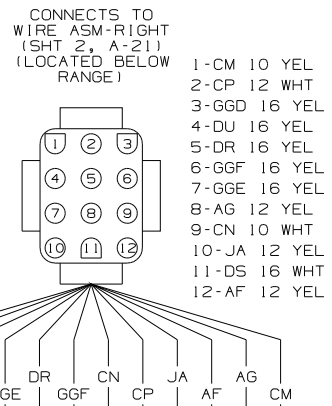
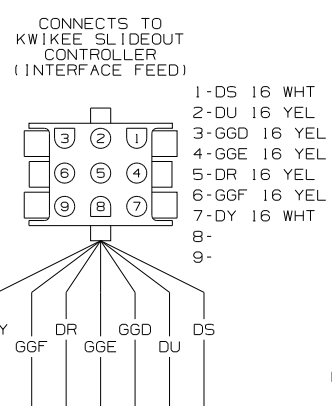
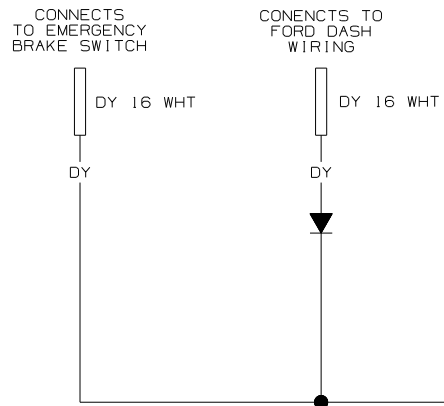
GND

GND

MS

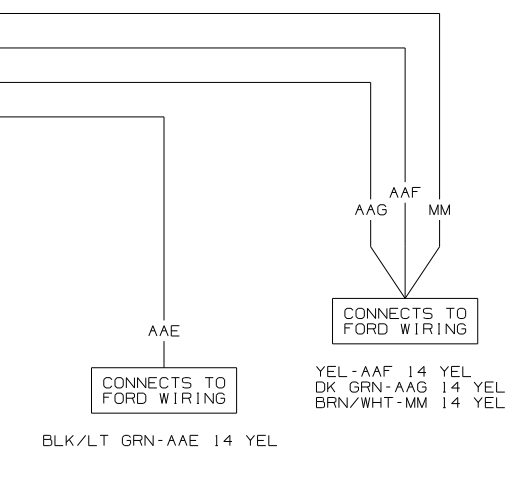
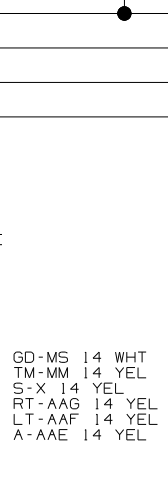
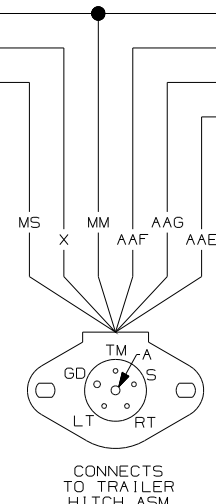
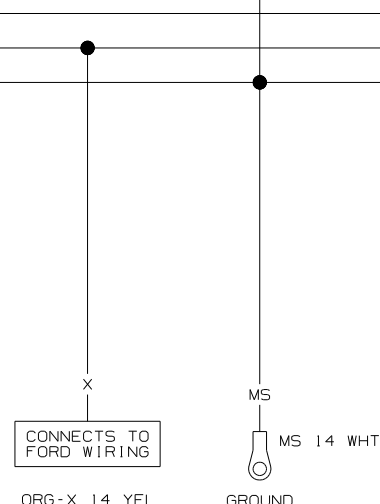
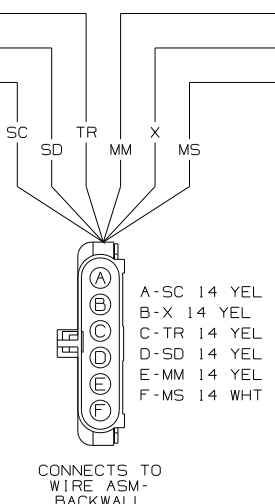
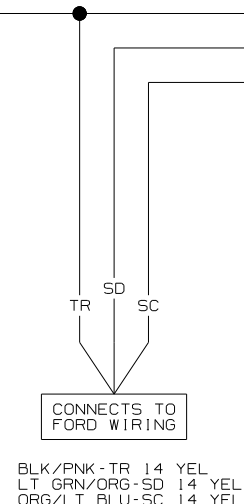
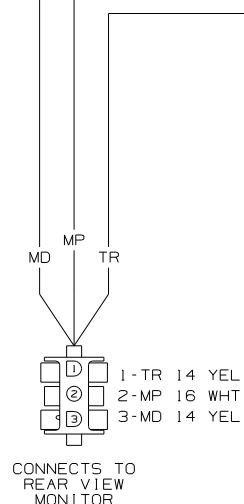
XJ





- 7 TRIANGLE: CIRCUITS ARE FROM WIRE ASM-CHASSIS.
- 6 TRIANGLE: NOT USED IN 331C & T
- 5 TRIANGLE: SEE WIRING DIAGRAM-AUTO FOR ADDITIONAL INFORMATION.
- 4 TRIANGLE: SEE MANUFACTURERS DIAGRAM FOR ADDITIONAL INFORMATION.
- 3 TRIANGLE: GROUNDS ARE SHOWN AS A SINGLE LINE FOR EASE IN TRACING. EACH GROUND CIRCUIT IS SEPERATE IN THE HARNESS.
- 2 SQUARE: NOT A SPLICE POINT. INDICATES ENTRY INTO WIRING HARNESS.

NOTES:
1. SPLICES ARE THEORETICAL AND MAY DIFFER IN THE HARNESS.



CONNECTS TO WIRE ASM- EXTENSION, 2 PIN (SHT 6, C-8) (LOCATED IN LOWER WARDROBE CABT)

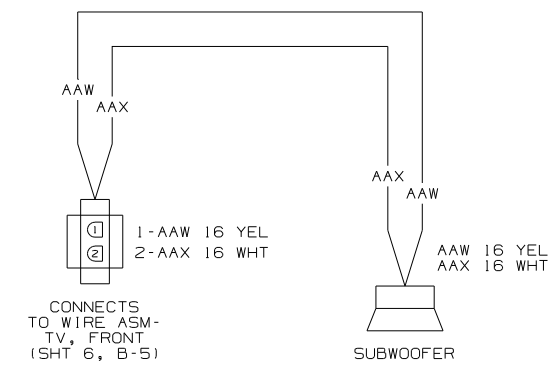
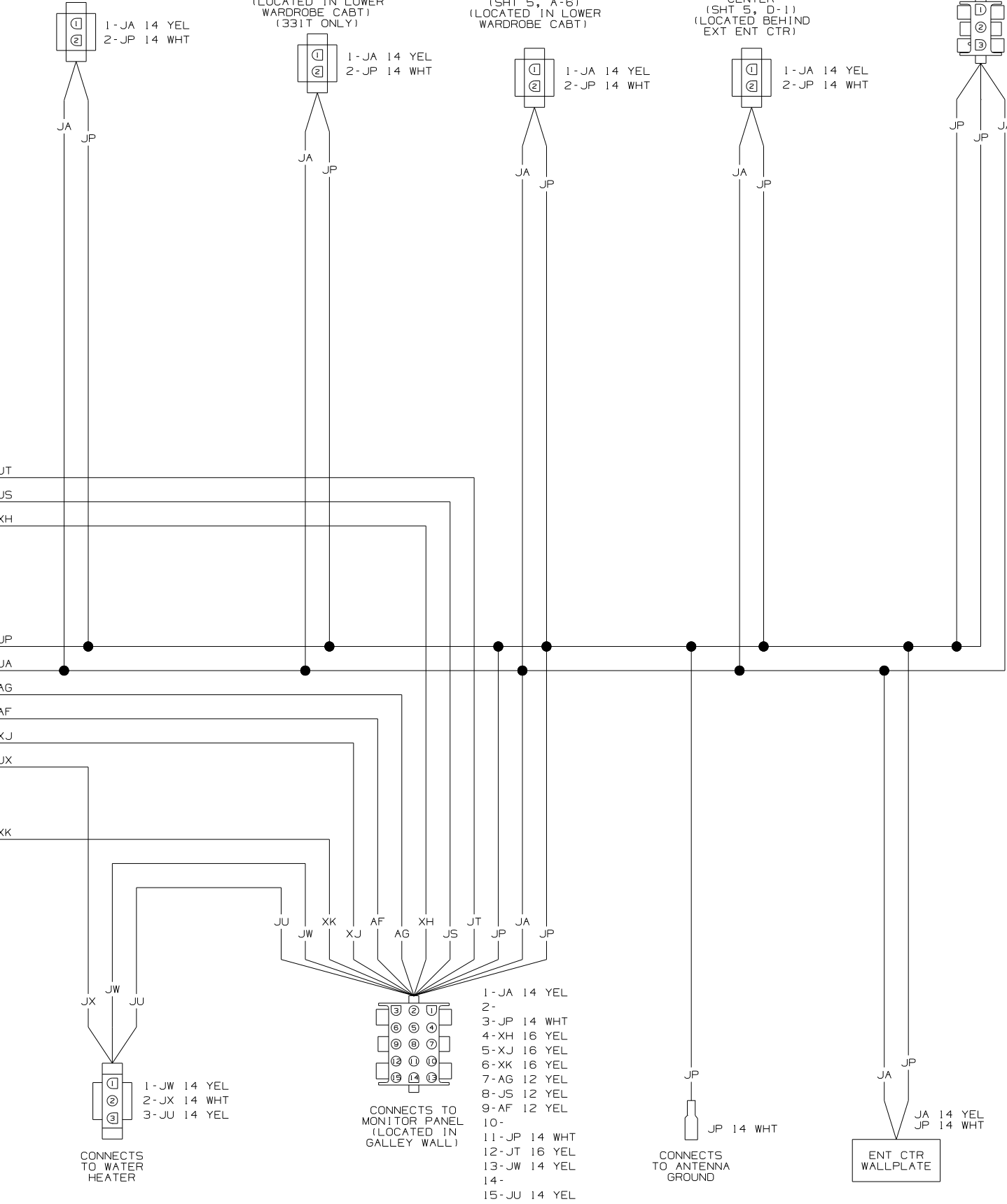
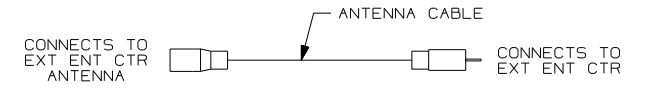
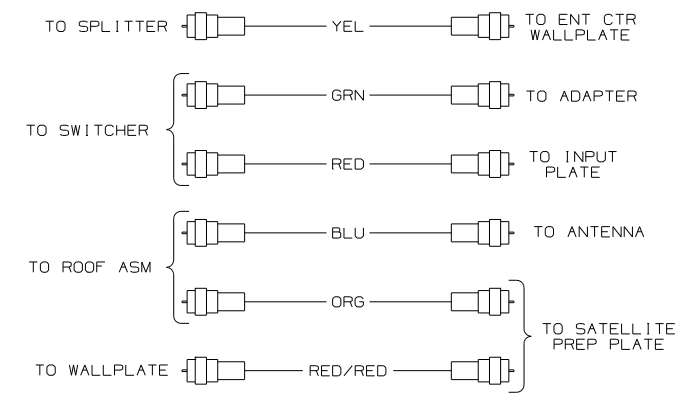
CONNECTS TO WIRE ASM- ROOF, CENTER (SHT 5, D-8) (LOCATED IN LOWER WARDROBE CABT) (331T ONLY)

CONNECTS TO WIRE ASM- SIDEWALL (SHT 5, A-6) (LOCATED IN LOWER WARDROBE CABT)

CONNECTS TO WIRE ASM- ENTERTAINMENT CENTER (SHT 5, D-1) (LOCATED BEHIND EXT ENT CTR)

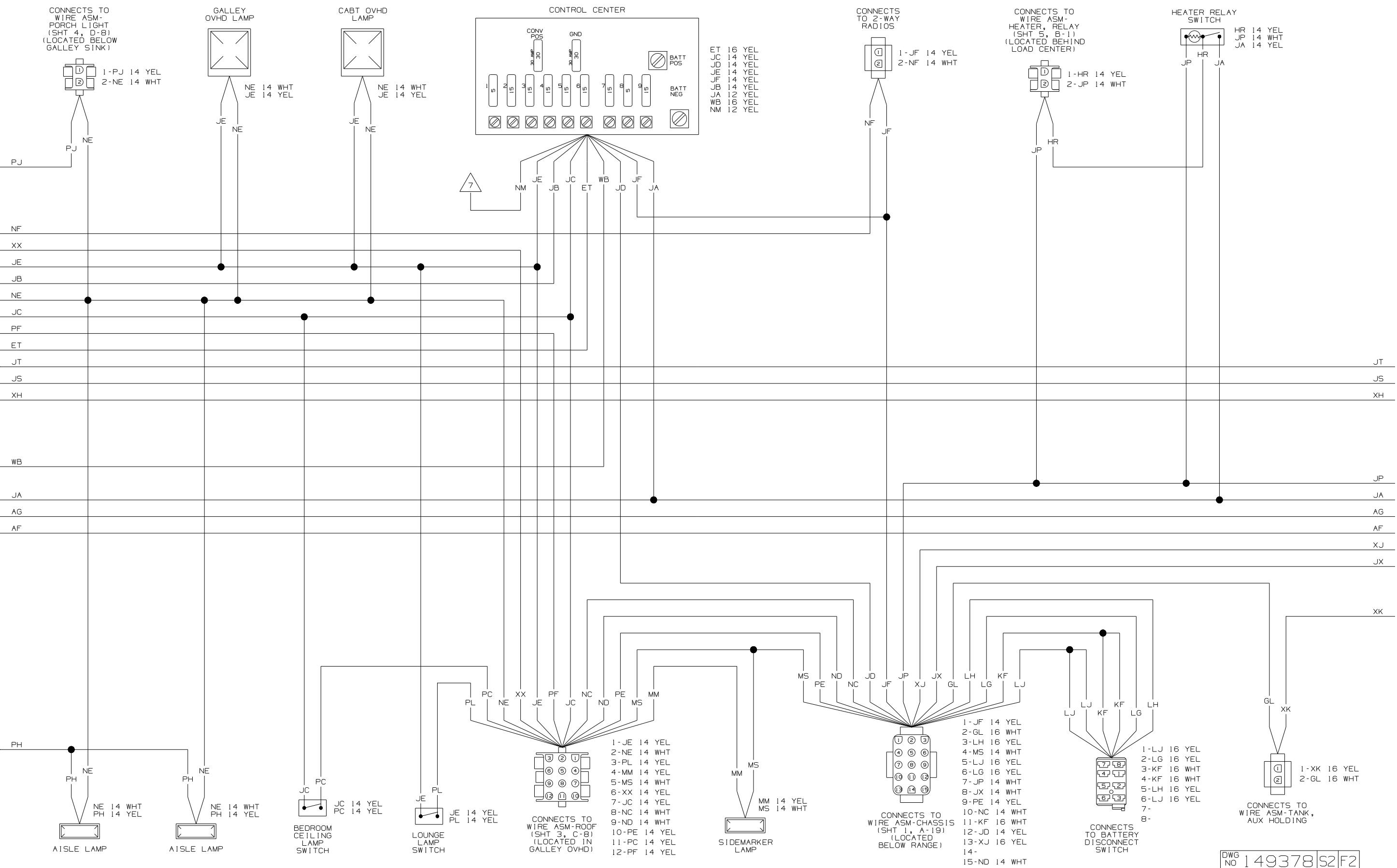
CONNECTS TO RANGE HOOD

1-JA 14 YEL
2-JP 14 WHT
3-JP 14 WHT

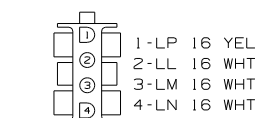


WIRING DIAGRAM-RIGHT (WIRE ASM 149834 REV-F)

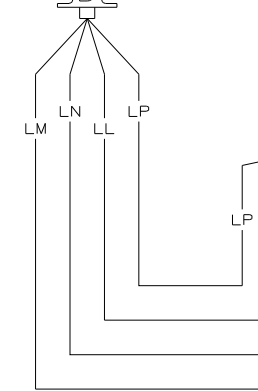
FIRST USED	05 331C&T	
DO NOT SCALE DRAWING		
TITLE	WIRING DIAGRAM-BODY, 12V	
SHEET 2	PART NO	149378



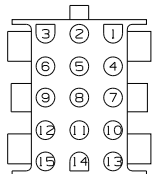
CONNECTS TO MONITOR PANEL (LOCATED IN GALLEY WALL)



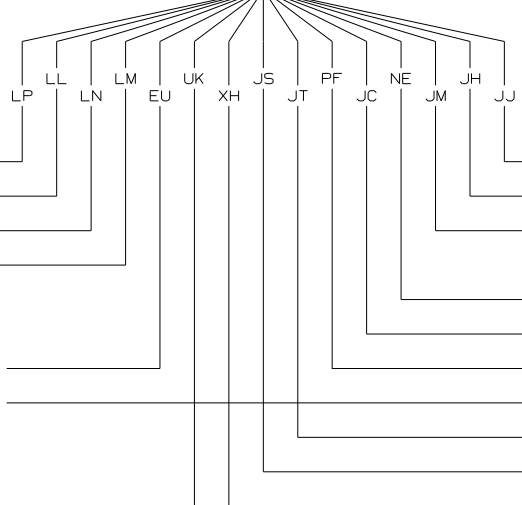
- 1-LP 16 YEL
- 2-LL 16 WHT
- 3-LM 16 WHT
- 4-LN 16 WHT



CONNECTS TO WIRE ASM-CHASSIS (SHT 1, D-18) (LOCATED BELOW RANGE)



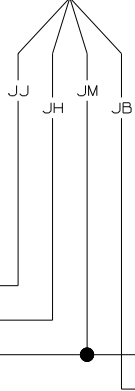
- 1-LP 16 YEL
- 2-LL 16 WHT
- 3-LM 16 WHT
- 4-LN 16 WHT
- 5-JT 16 YEL
- 6-JJ 14 YEL
- 7-JM 14 WHT
- 8-JH 14 YEL
- 9-NE 14 WHT
- 10-JC 14 YEL
- 11-EU 16 WHT
- 12-UK 16 WHT
- 13-PF 14 YEL
- 14-JS 12 YEL
- 15-XH 16 YEL



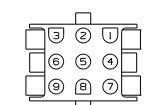
CONNECTS TO FURNACE



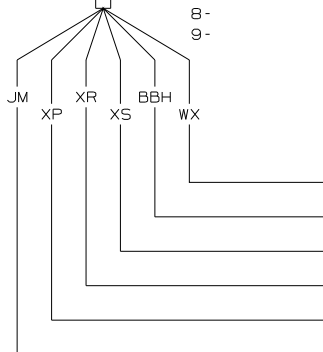
- 1-JM 14 WHT
- 2-JJ 14 YEL
- 3-JB 14 YEL
- 4-JH 14 YEL



CONNECTS TO WIRE ASM-ROOF (SHT 3, D-8) (LOCATED IN GALLEY OVHD)



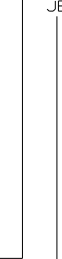
- 1-JM 14 WHT
- 2-XP 16 YEL
- 3-XR 16 YEL
- 4-XS 16 YEL
- 5-
- 6-WX 14 YEL
- 7-BBH 16 YEL
- 8-
- 9-



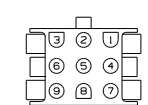
HALL LAMP SWITCH



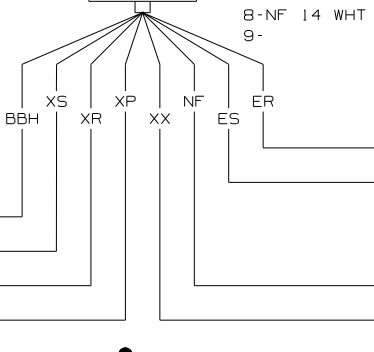
- JE 14 YEL
- WX 14 YEL



CONNECTS TO WIRE ASM-CHASSIS (SHT 1, D-23) (LOCATED BELOW RANGE)



- 1-XP 16 YEL
- 2-XR 16 YEL
- 3-XS 16 YEL
- 4-XX 14 YEL
- 5-ER 16 YEL
- 6-ES 16 YEL
- 7-BBH 16 YEL
- 8-NF 14 WHT
- 9-



ELECTRIC STEP KILL SWITCH



- ES 16 YEL
- ER 16 YEL



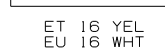
PORCH LAMP SWITCH



- JE 14 YEL
- PJ 14 YEL



REFRIGERATOR

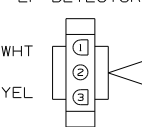


EU

ET

- ET 16 YEL
- EU 16 WHT

CONNECTS TO LP DETECTOR



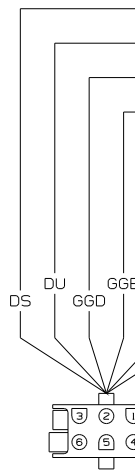
- 1-UK 16 WHT
- 2-
- 3-WB 16 YEL

UK

WB

- 7 WIRE IS FROM WIRE ASM-HEATER, RELAY (SHT 5, B-5).
 - 6 SEE WIRING DIAGRAM-HEATER, RELAY FOR ADDITIONAL INFORMATION.
 - 5 SEE WIRING DIAGRAM-AUTO FOR ADDITIONAL INFORMATION.
 - 4 SEE MANUFACTURERS DIAGRAM FOR ADDITIONAL INFORMATION.
 - 3 GROUNDS ARE SHOWN AS A SINGLE LINE FOR EASE IN TRACING. EACH GROUND CIRCUIT IS SEPERATE IN THE HARNESS.
 - 2 NOT A SPLICE POINT. INDICATES ENTRY INTO WIRING HARNESS.
1. SPLICES ARE THEORETICAL AND MAY DIFFER IN THE HARNESS.

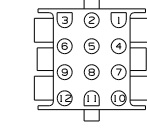
NOTES:



- 1-DS 16 WHT
- 2-DU 16 YEL
- 3-GGD 16 YEL
- 4-GGE 16 YEL
- 5-DR 16 YEL
- 6-GGF 16 YEL

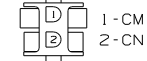
CONNECTS TO SLIDEOUT CONTROL PANEL

CONNECTS TO WIRE ASM-CHASSIS (SHT 1, D-29) (LOCATED BELOW RANGE)



- 1-CM 10 YEL
- 2-CP 12 WHT
- 3-GGD 16 YEL
- 4-DU 16 YEL
- 5-DR 16 YEL
- 6-GGF 16 YEL
- 7-GGE 16 YEL
- 8-AG 12 YEL
- 9-CN 10 WHT
- 10-JA 12 YEL
- 11-DS 16 WHT
- 12-AF 12 YEL

CONNECTS TO INVERTER OR WIRE ASM-TV, FRONT (SHT 6, B-3)



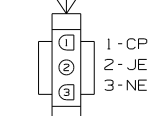
- 1-CM 10 YEL
- 2-CN 10 WHT

INVERTER GROUND



CP 12 WHT

CONNECTS TO WIRE ASM-TV, FRONT (SHT 6, B-8)



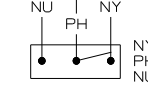
- 1-CP 12 WHT
- 2-JE 14 YEL
- 3-NE 14 WHT

AISLE LAMP SWITCH

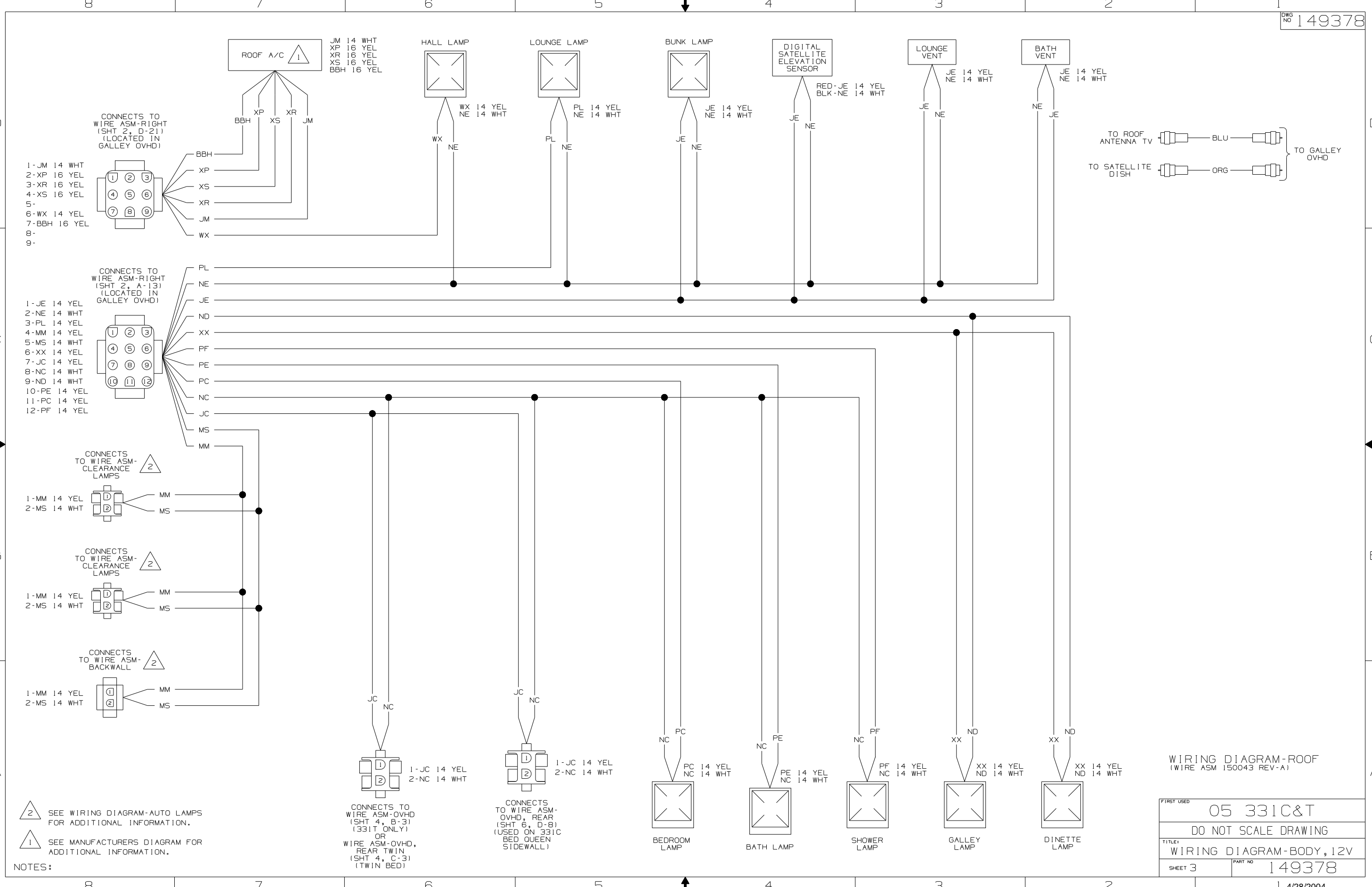


- NY 14 YEL
- JE 14 YEL
- NU 14 YEL

AISLE LAMP SWITCH



- NY 14 YEL
- PH 14 YEL
- NU 14 YEL



- 1-JM 14 WHT
- 2-XP 16 YEL
- 3-XR 16 YEL
- 4-XS 16 YEL
- 5-
- 6-WX 14 YEL
- 7-BBH 16 YEL
- 8-
- 9-

- 1-JE 14 YEL
- 2-NE 14 WHT
- 3-PL 14 YEL
- 4-MM 14 YEL
- 5-MS 14 WHT
- 6-XX 14 YEL
- 7-JC 14 YEL
- 8-NC 14 WHT
- 9-ND 14 WHT
- 10-PE 14 YEL
- 11-PC 14 YEL
- 12-PF 14 YEL

- 1-MM 14 YEL
- 2-MS 14 WHT

- 1-MM 14 YEL
- 2-MS 14 WHT

- 1-MM 14 YEL
- 2-MS 14 WHT

NOTES:

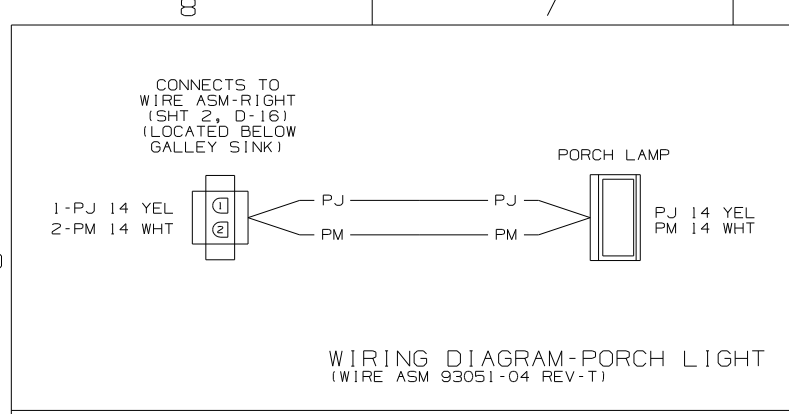
△ SEE WIRING DIAGRAM-AUTO LAMPS FOR ADDITIONAL INFORMATION.

① SEE MANUFACTURERS DIAGRAM FOR ADDITIONAL INFORMATION.

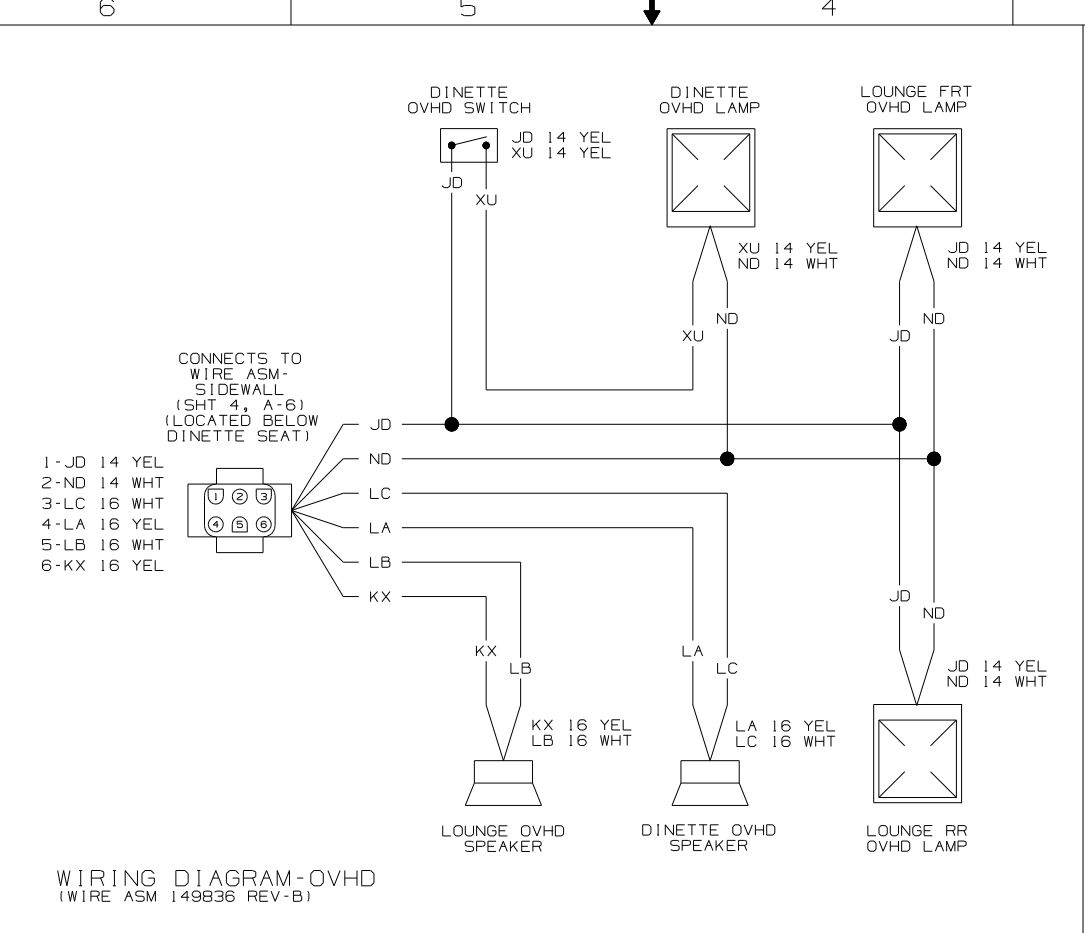
CONNECTS TO WIRE ASM-OVHD (SHT 4, B-3) (331T ONLY) OR WIRE ASM-OVHD, REAR TWIN (SHT 4, C-3) (TWIN BED)

CONNECTS TO WIRE ASM-OVHD, REAR (SHT 6, D-8) (USED ON 331C BED QUEEN SIDEWALL)

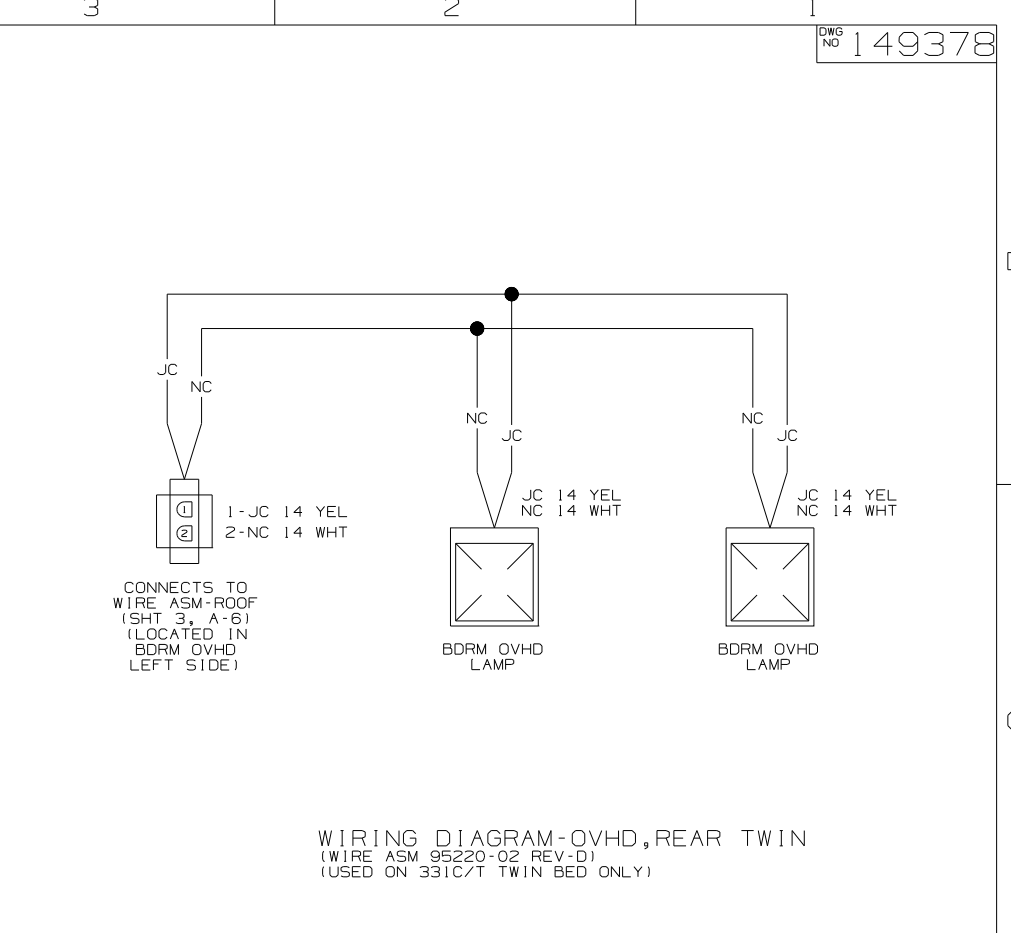
FIRST USED	05 331C&T
TITLE:	DO NOT SCALE DRAWING
WIRING DIAGRAM-BODY, 12V	
SHEET 3	PART NO 149378



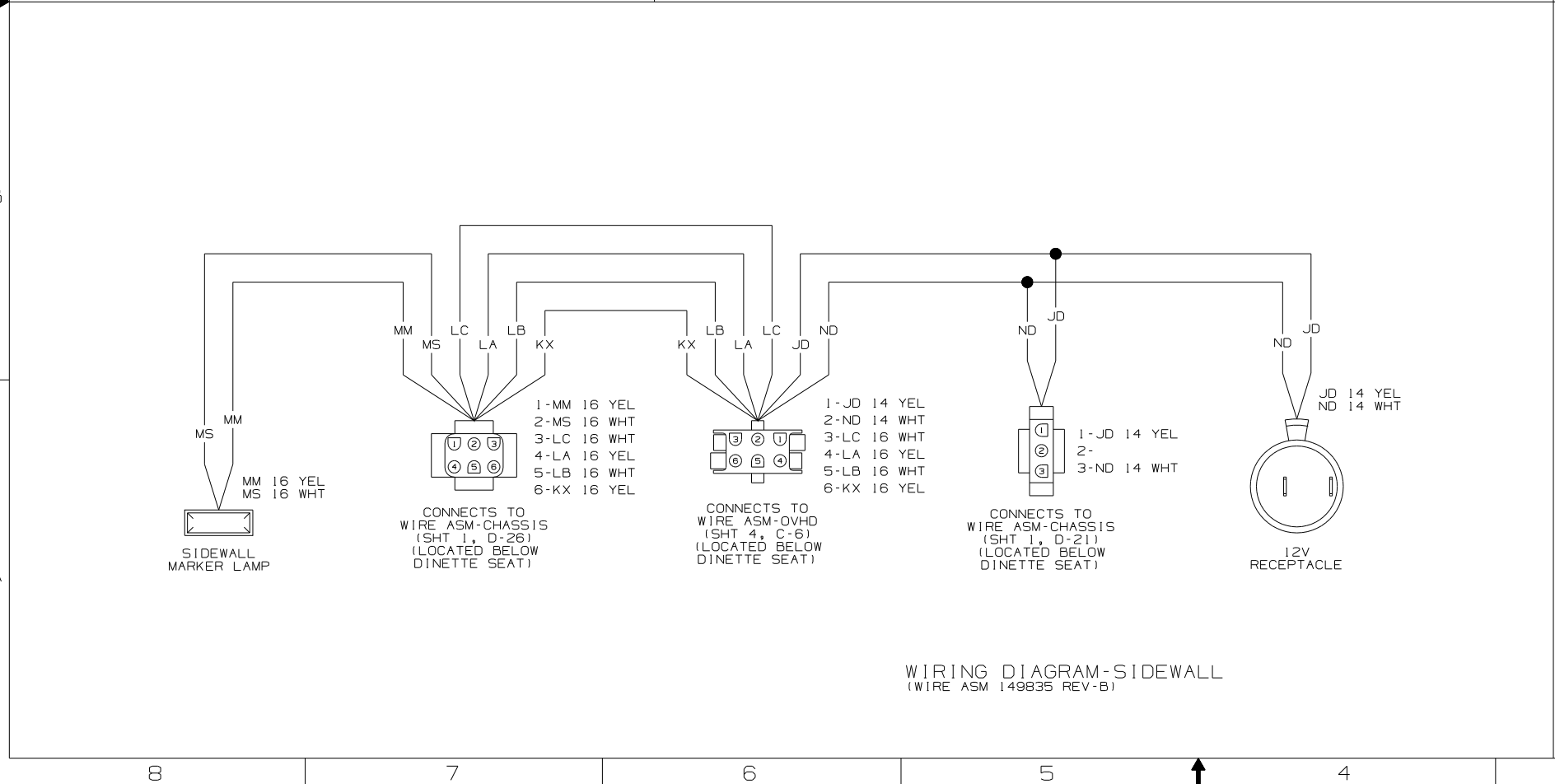
WIRING DIAGRAM-PORCH LIGHT
(WIRE ASM 93051-04 REV-T)



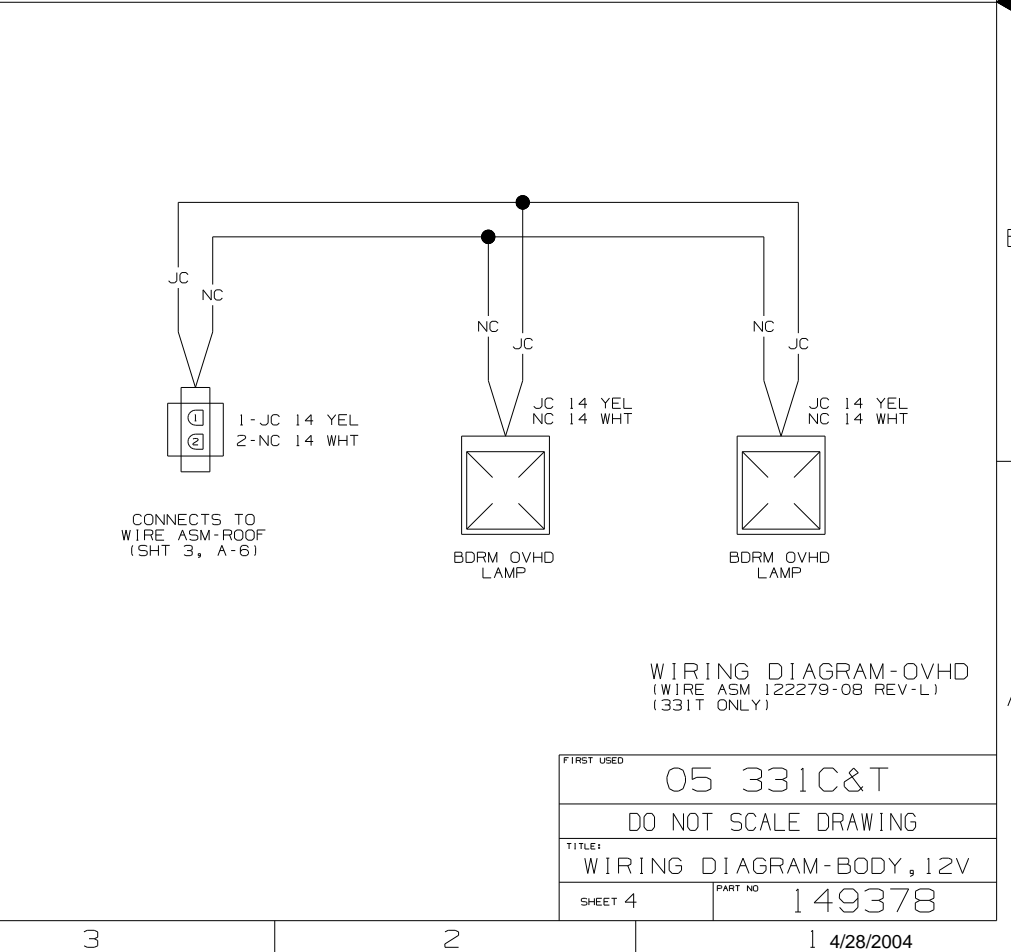
WIRING DIAGRAM-OVHD
(WIRE ASM 149836 REV-B)



WIRING DIAGRAM-OVHD, REAR TWIN
(WIRE ASM 95220-02 REV-D)
(USED ON 331C/T TWIN BED ONLY)

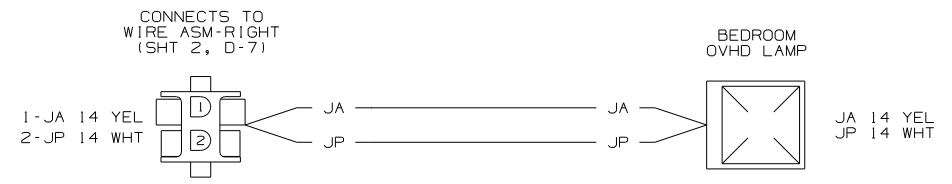


WIRING DIAGRAM-SIDEWALL
(WIRE ASM 149835 REV-B)

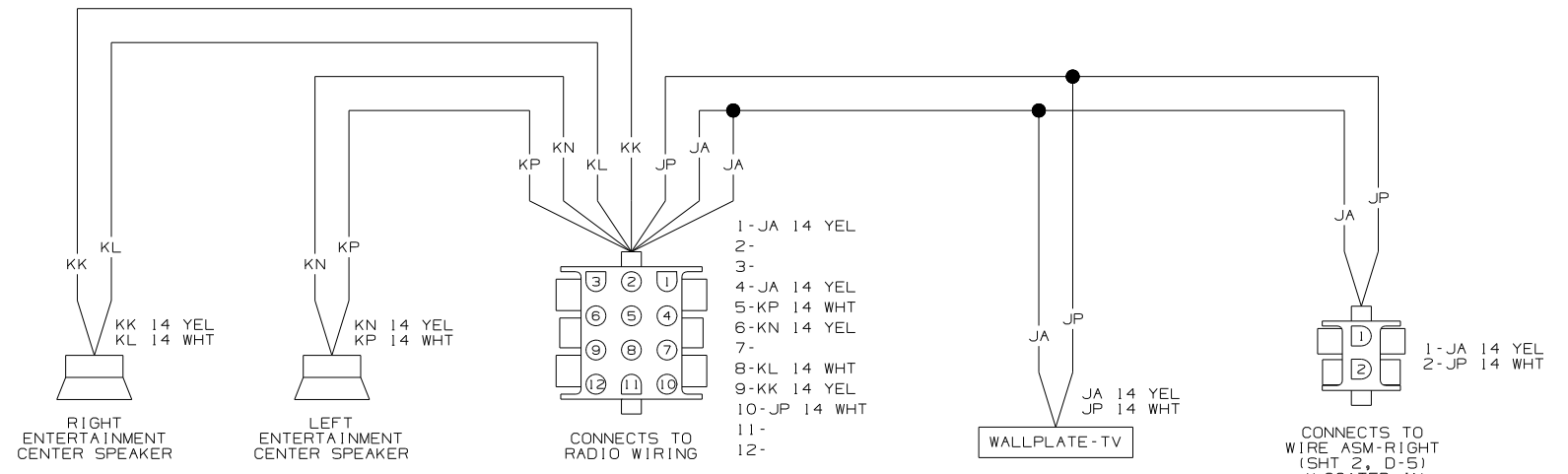


WIRING DIAGRAM-OVHD
(WIRE ASM 122279-08 REV-L)
(331T ONLY)

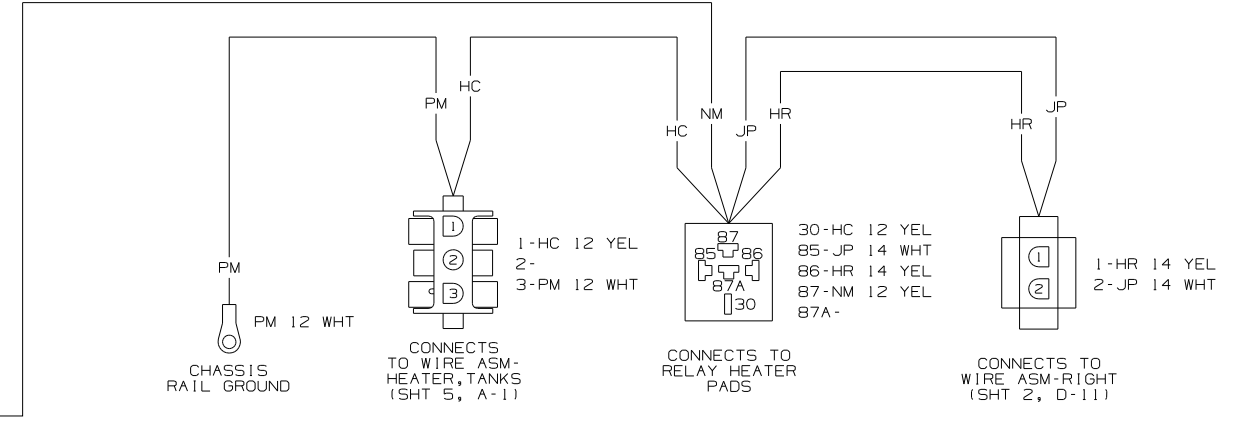
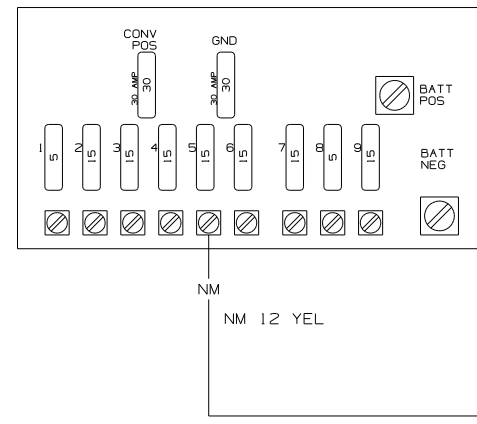
FIRST USED	05 331C&T
TITLE	DO NOT SCALE DRAWING
SHEET 4	PART NO 149378



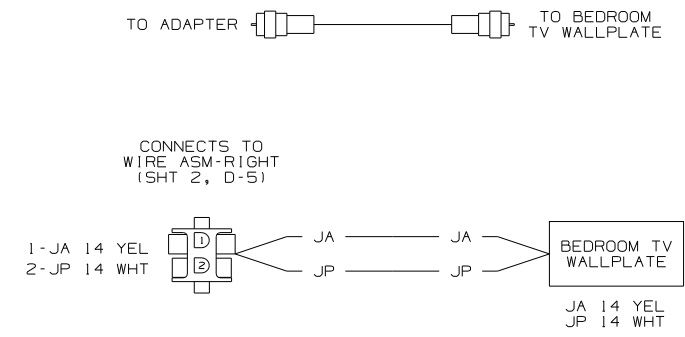
WIRING DIAGRAM-ROOF, CENTER
(WIRE ASM 77093-16 REV-AG)
(331T ONLY)



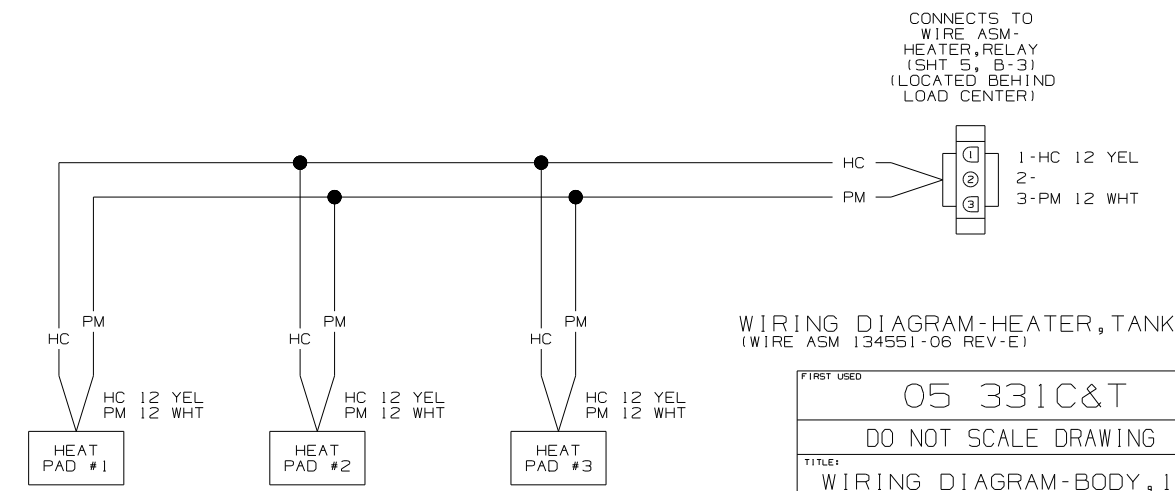
WIRING DIAGRAM-ENTERTAINMENT CTR
(WIRE ASM 125853-04 REV-L)



WIRING DIAGRAM-HEATER, RELAY
(WIRE ASM 134550 REV-A)

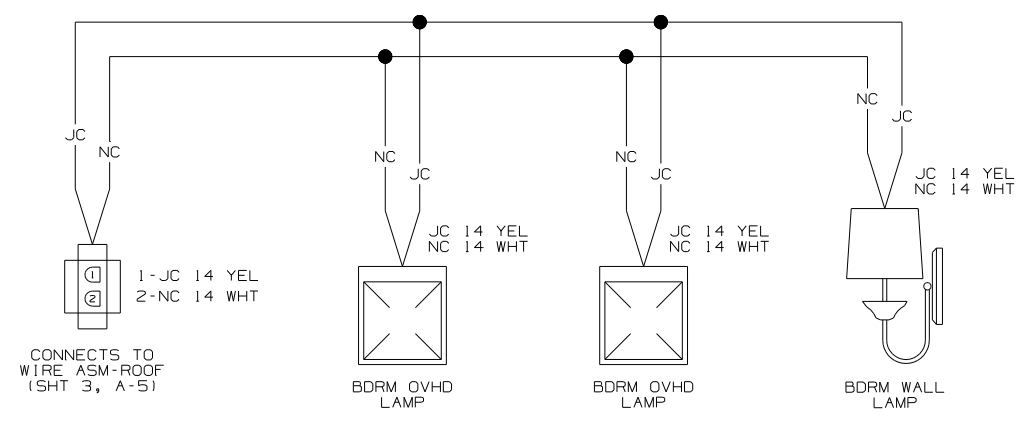


WIRING DIAGRAM-SIDEWALL
(WIRE ASM 111451-04 REV-N)
(USED WITH 331T BED QUEEN SIDEWALL)
(WIRE ASM 111451-08 REV-N)
(USED WITH 331C/T TWIN BED)
(WIRE ASM 111451-09 REV-N)
(USED WITH 331C BED QUEEN BACKWALL)

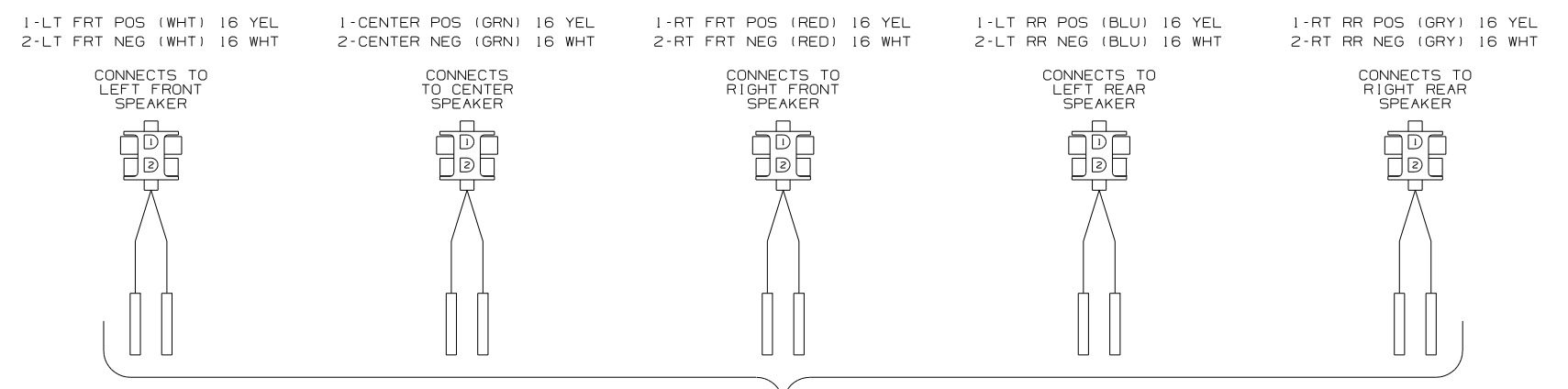


WIRING DIAGRAM-HEATER, TANKS
(WIRE ASM 134551-06 REV-E)

FIRST USED	05 331C&T
DO NOT SCALE DRAWING	
TITLE:	WIRING DIAGRAM-BODY, 12V
SHEET 5	PART NO 149378

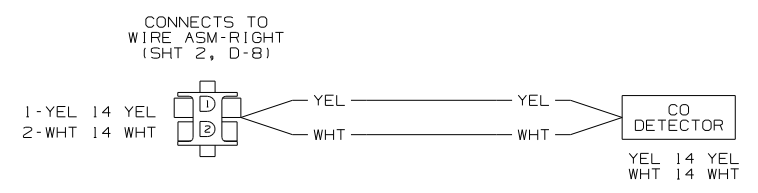


WIRING DIAGRAM-OVHD, REAR
(WIRE ASM 127873-03 REV-E)
(331C ONLY)

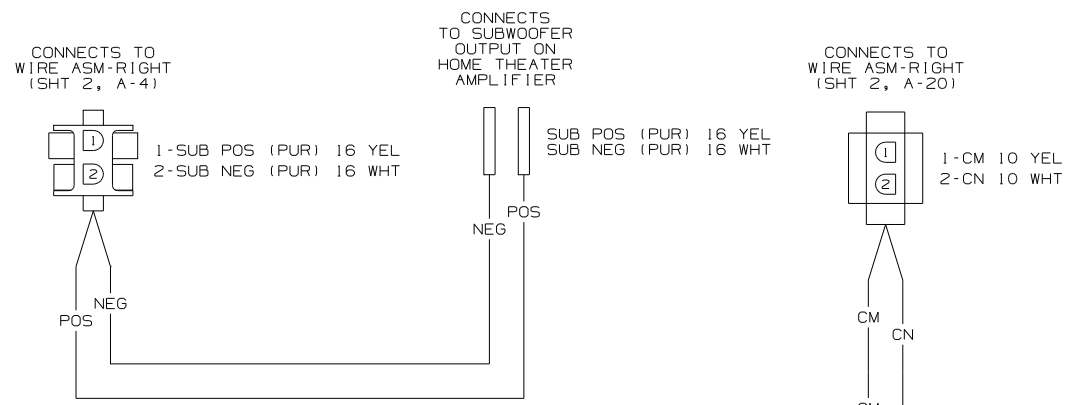
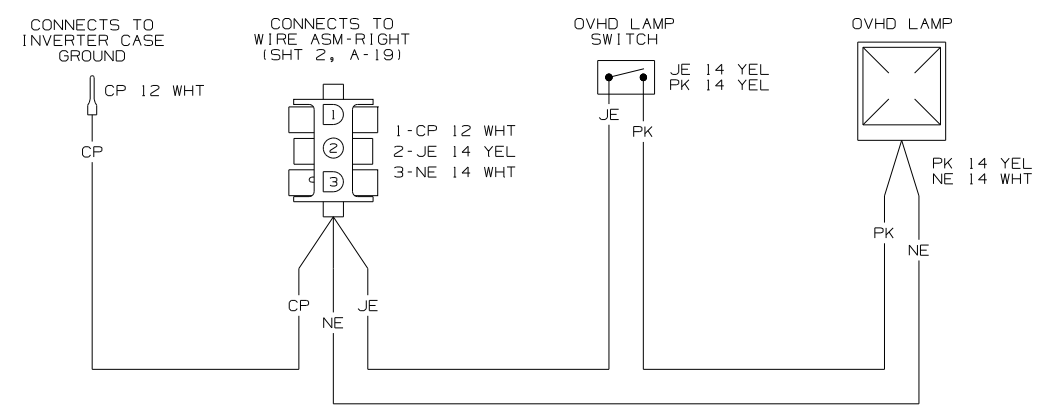


- RT FRT POS (RED) 16 YEL
- RT FRT NEG (RED) 16 WHT
- CENTER POS (GRN) 16 YEL
- CENTER NEG (GRN) 16 WHT
- LT FRT POS (WHT) 16 YEL
- LT FRT NEG (WHT) 16 WHT
- LT RR POS (BLU) 16 YEL
- LT RR NEG (BLU) 16 WHT
- RT RR POS (GRY) 16 YEL
- RT RR NEG (GRY) 16 WHT

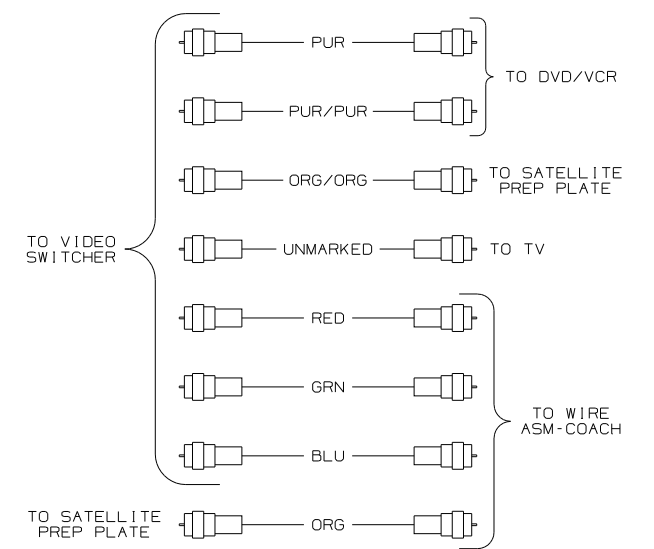
WIRING DIAGRAM-HOME THEATER EXTENSION
(WIRE ASM 148883-03 REV-H)



WIRING DIAGRAM-EXTENSION, 2 PIN
(WIRE ASM 149130 REV-B)



WIRING DIAGRAM-TV, FRONT
(WIRE ASM 148752-01 REV-D)



FIRST USED	05 331C&T
TITLE	DO NOT SCALE DRAWING
TITLE	WIRING DIAGRAM-BODY, 12V
SHEET 6	PART NO 149378