



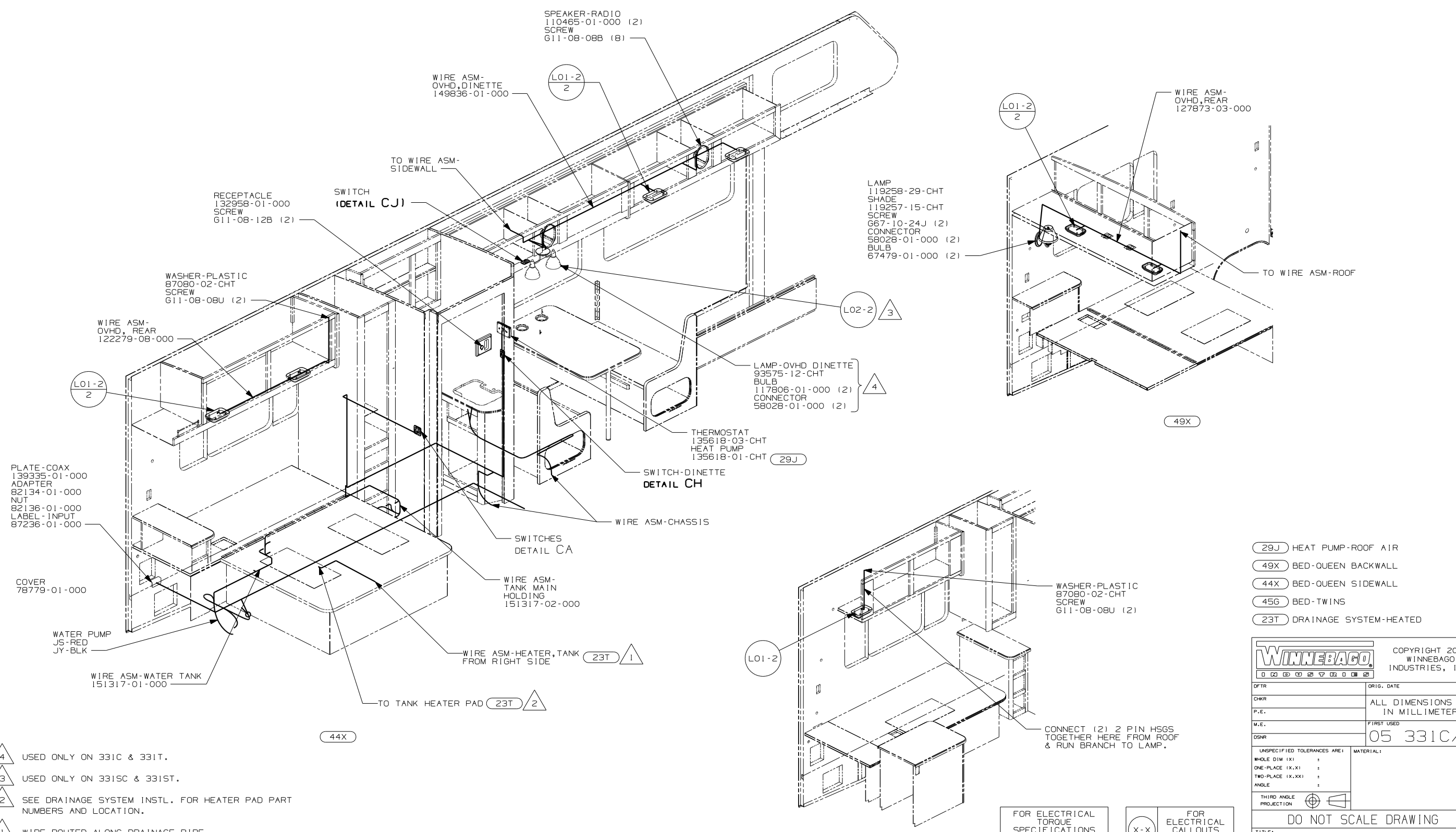
DANGER

Danger of electrical shock, burns or death. Always remove all power sources before attempting any repair, service or diagnostic work. Power can be present from shore power, generator, inverter or battery. All power sources must be disabled and secured before performing any service.



CAUTION

If you lack the skills, tools or equipment to perform diagnostic or repair work leave such work to an authorized Winnebago Industries dealer or other qualified shop.

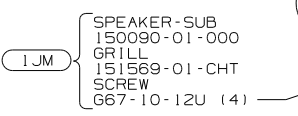
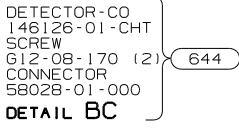
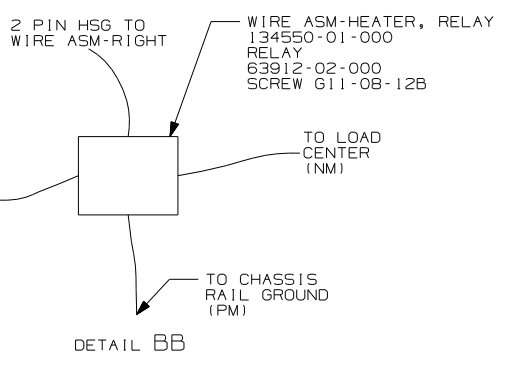
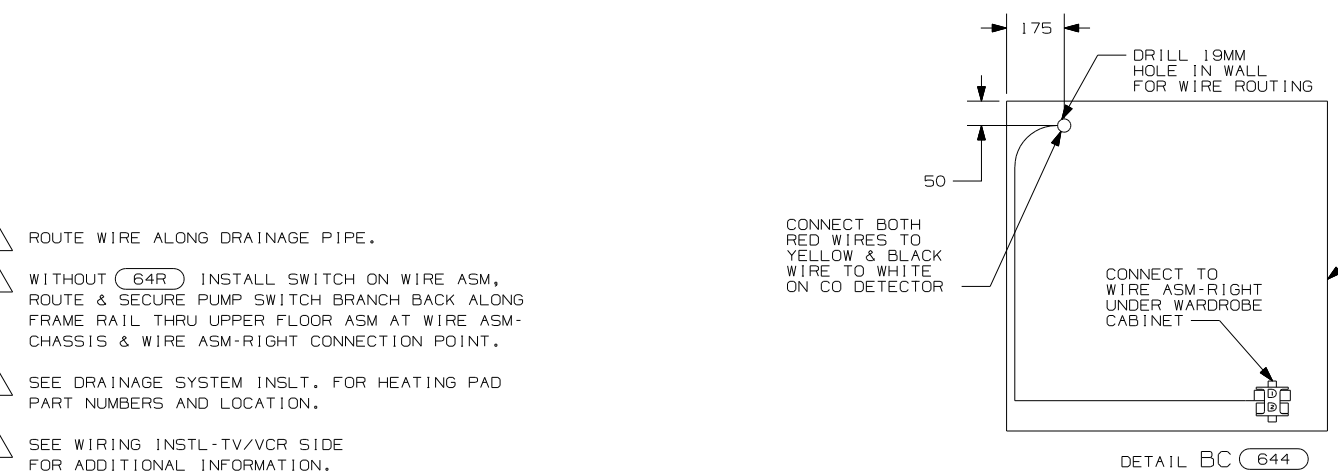
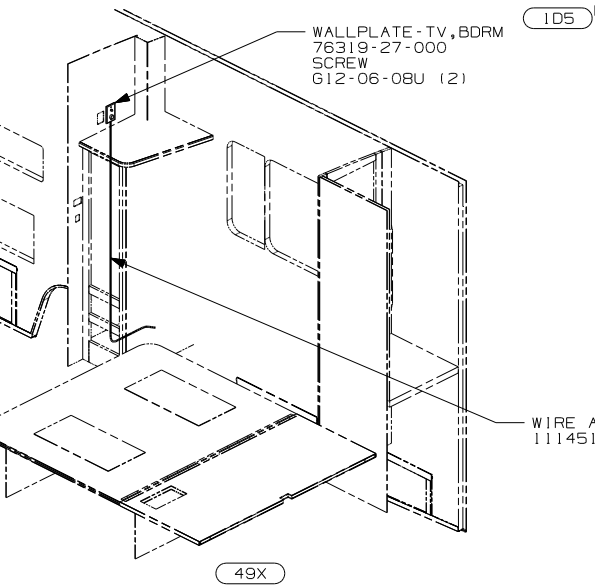
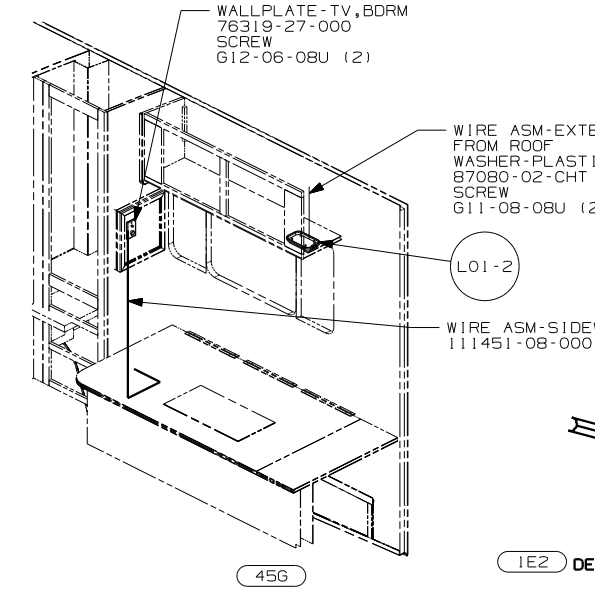
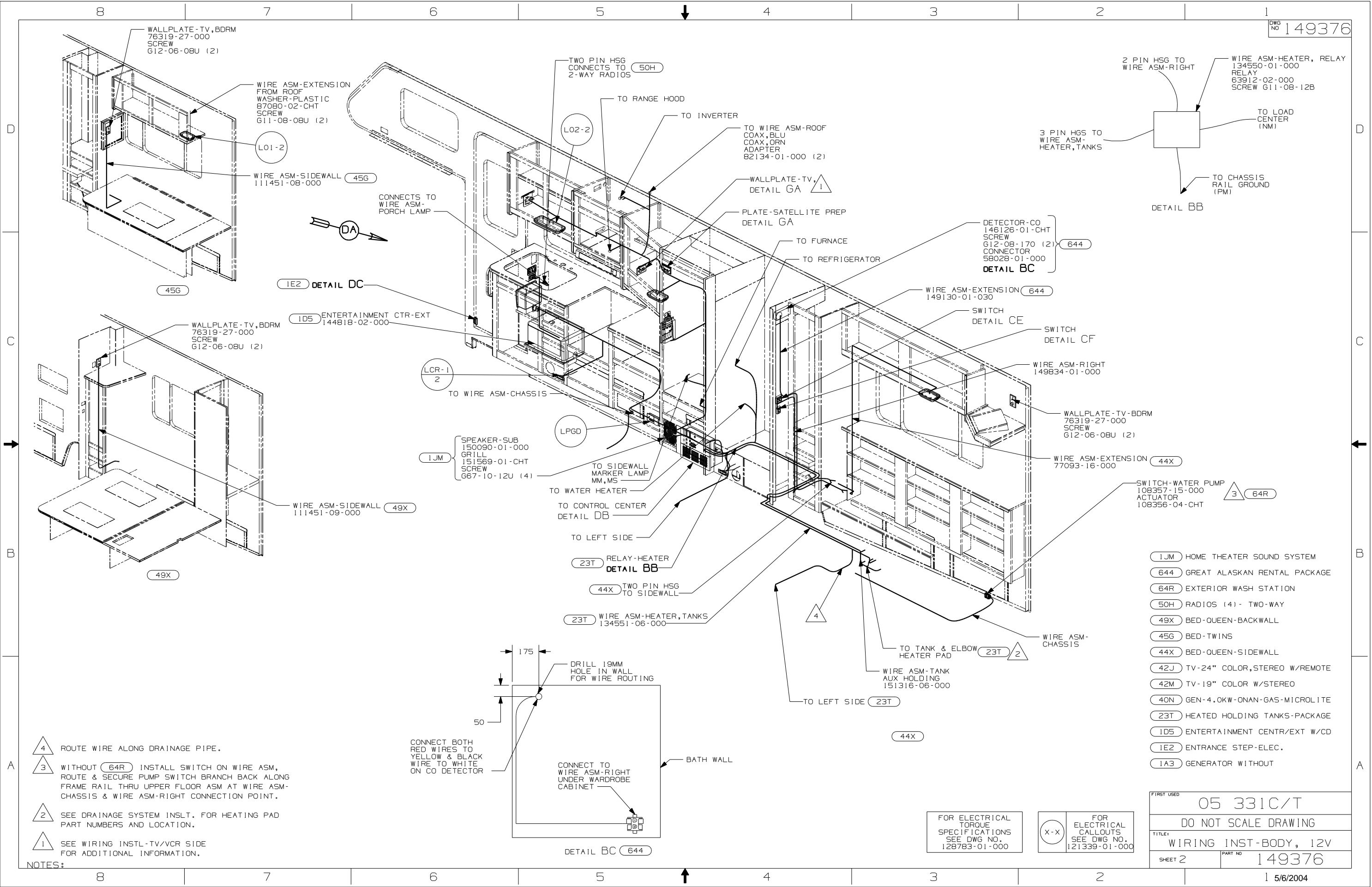


- NOTES:
- 4 USED ONLY ON 331C & 331T.
 - 3 USED ONLY ON 331SC & 331ST.
 - 2 SEE DRAINAGE SYSTEM INSTL. FOR HEATER PAD PART NUMBERS AND LOCATION.
 - 1 WIRE ROUTED ALONG DRAINAGE PIPE.

FOR ELECTRICAL TORQUE SPECIFICATIONS SEE DWG NO. 128783-01-000

FOR ELECTRICAL CALLOUTS SEE DWG NO. 121339-01-000

WINNEBAGO		COPYRIGHT 2004 WINNEBAGO INDUSTRIES, INC.	
DFTR	ORIG. DATE		
CHKR	ALL DIMENSIONS ARE IN MILLIMETERS		
P.E.			
M.E.	FIRST USED	05 331C/T	
DSNR			
UNSPECIFIED TOLERANCES ARE:		MATERIAL:	
WHOLE DIM (X)	:		
ONE-PLACE (X.X)	:		
TWO-PLACE (X.XX)	:		
ANGLE	:		
THIRD ANGLE PROJECTION			
DO NOT SCALE DRAWING			
TITLE: WIRING INST-BODY, 12V			
SHEET 1 OF 7		PART NO 149376	



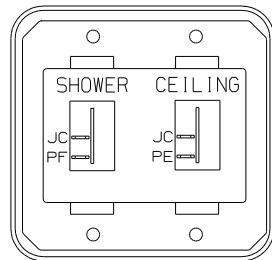
- (1JM) HOME THEATER SOUND SYSTEM
- (644) GREAT ALASKAN RENTAL PACKAGE
- (64R) EXTERIOR WASH STATION
- (50H) RADIOS (4) - TWO-WAY
- (49X) BED-QUEEN-BACKWALL
- (45G) BED-TWINS
- (44X) BED-QUEEN-SIDEWALL
- (42J) TV-24" COLOR, STEREO W/REMOTE
- (42M) TV-19" COLOR W/STEREO
- (40N) GEN-4.0KW-ONAN-GAS-MICROLITE
- (23T) HEATED HOLDING TANKS-PACKAGE
- (ID5) ENTERTAINMENT CTR/EXT W/CD
- (1E2) ENTRANCE STEP-ELEC.
- (1A3) GENERATOR WITHOUT

- NOTES:
- 4 ROUTE WIRE ALONG DRAINAGE PIPE.
 - 3 WITHOUT (64R) INSTALL SWITCH ON WIRE ASM, ROUTE & SECURE PUMP SWITCH BRANCH BACK ALONG FRAME RAIL THRU UPPER FLOOR ASM AT WIRE ASM-CHASSIS & WIRE ASM-RIGHT CONNECTION POINT.
 - 2 SEE DRAINAGE SYSTEM INSLT. FOR HEATING PAD PART NUMBERS AND LOCATION.
 - 1 SEE WIRING INSLT-TV/VCR SIDE FOR ADDITIONAL INFORMATION.

FOR ELECTRICAL TORQUE SPECIFICATIONS SEE DWG NO. 128783-01-000

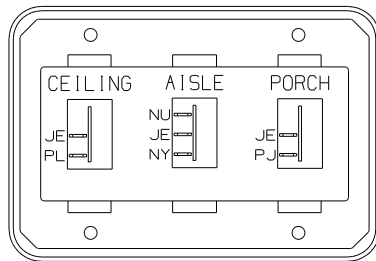
(X-X) FOR ELECTRICAL CALLOUTS SEE DWG NO. 121339-01-000

FIRST USED	05 331C/T	
TITLE	DO NOT SCALE DRAWING	
TITLE	WIRING INST-BODY, 12V	
SHEET 2	PART NO	149376

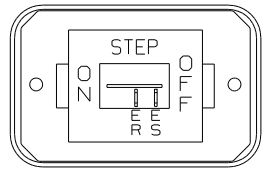


DETAIL CA

SWITCH-ROCKER
135740-01-CHT (2)
SWITCH-BASE
135741-02-CHT
SWITCH-BEZEL
135742-15-CHT
SCREW
G11-08-08U (4)



SWITCH-ROCKER
135740-01-CHT (2)
135740-02-CHT
SWITCH-BASE
135741-03-CHT
SWITCH-BEZEL
135742-26-CHT
SCREW
G11-08-08U (4)

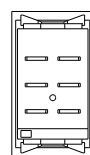


DETAIL CB

SWITCH-ROCKER
135740-01-CHT
SWITCH-BASE
135741-01-CHT
SWITCH-BEZEL
135742-11-CHT
SCREW
G11-08-08U (2)



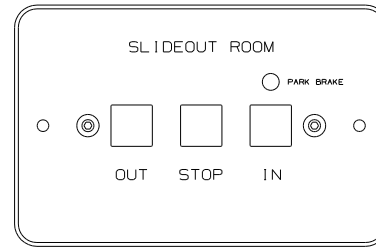
(FRONT SIDE)



(BACK SIDE)
DETAIL CC

SWITCH-BATTERY, DISC
108357-06-000
ACTUATOR-SWITCH
108356-11-CHT

PLATE-SWITCH
98351-07-CHT
SCREW
G11-06-10U (6)

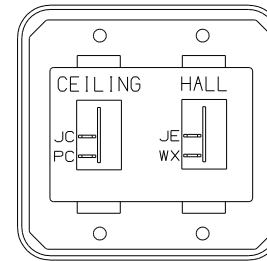


DETAIL CD

SWITCH ASM-KWIKEE
138173-04-000

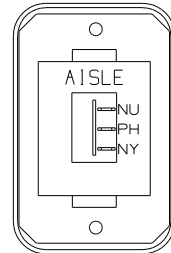
LABEL
116549-01-000

WARNING
UNDERSTAND OPERATOR'S MANUAL BEFORE USING
KEEP PEOPLE AND OBJECTS CLEAR OF
SLIDING ROOM WHEN OPERATING TO AVOID
INJURY AND/OR PROPERTY DAMAGE



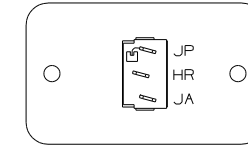
DETAIL CE

SWITCH-ROCKER
135740-01-CHT (2)
SWITCH-BASE
135741-02-CHT
SWITCH-BEZEL
135742-16-CHT
SCREW
G11-08-08U (4)



DETAIL CF

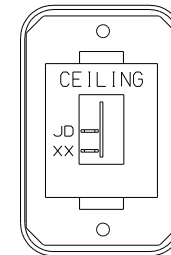
SWITCH-ROCKER
135740-02-CHT
SWITCH-BASE
135741-01-CHT
SWITCH-BEZEL
135742-06-CHT
SCREW
G11-08-08U (2)



SWITCH-HEATER
89308-05-CHT
PLATE-SWITCH
98351-01-CHT
SCREW
G11-06-16J (2)
LABEL-SWITCH
134563-01-CHT

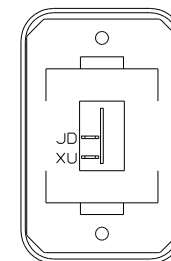
HOLDING TANK HEATER
TURN OFF When Not In Use
SEE OPERATORS MANUAL

DETAIL CG (23T)



DETAIL CH

SWITCH-ROCKER
135740-01-CHT
SWITCH-BASE
135741-01-CHT
SWITCH-BEZEL
135742-07-CHT
SCREW
G11-08-08U (2)



DETAIL CJ

SWITCH-ROCKER
135740-01-CHT
SWITCH-BASE
135741-01-CHT
SWITCH-BEZEL
135742-01-CHT
SCREW
G11-08-08U (2)

- (42J) TV-24" COLOR, STEREO W/REMOTE
- (42M) TV-19" COLOR W/STEREO
- (23T) HEATED HOLDING TANKS-PACKAGE
- (1E2) ENTRANCE STEP-ELEC.

FOR ELECTRICAL
TORQUE
SPECIFICATIONS
SEE DWG NO.
128783-01-000

(X-X)
FOR
ELECTRICAL
CALLOUTS
SEE DWG NO.
121339-01-000

FIRST USED	05 331C/T
DO NOT SCALE DRAWING	
TITLE:	WIRING INST-BODY, 12V
SHEET 3	PART NO 149376

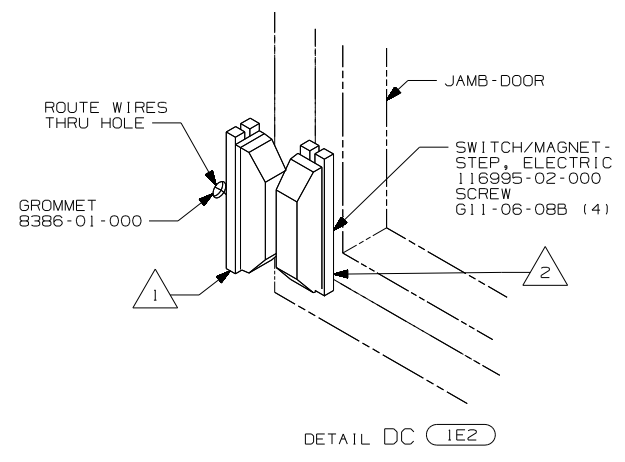
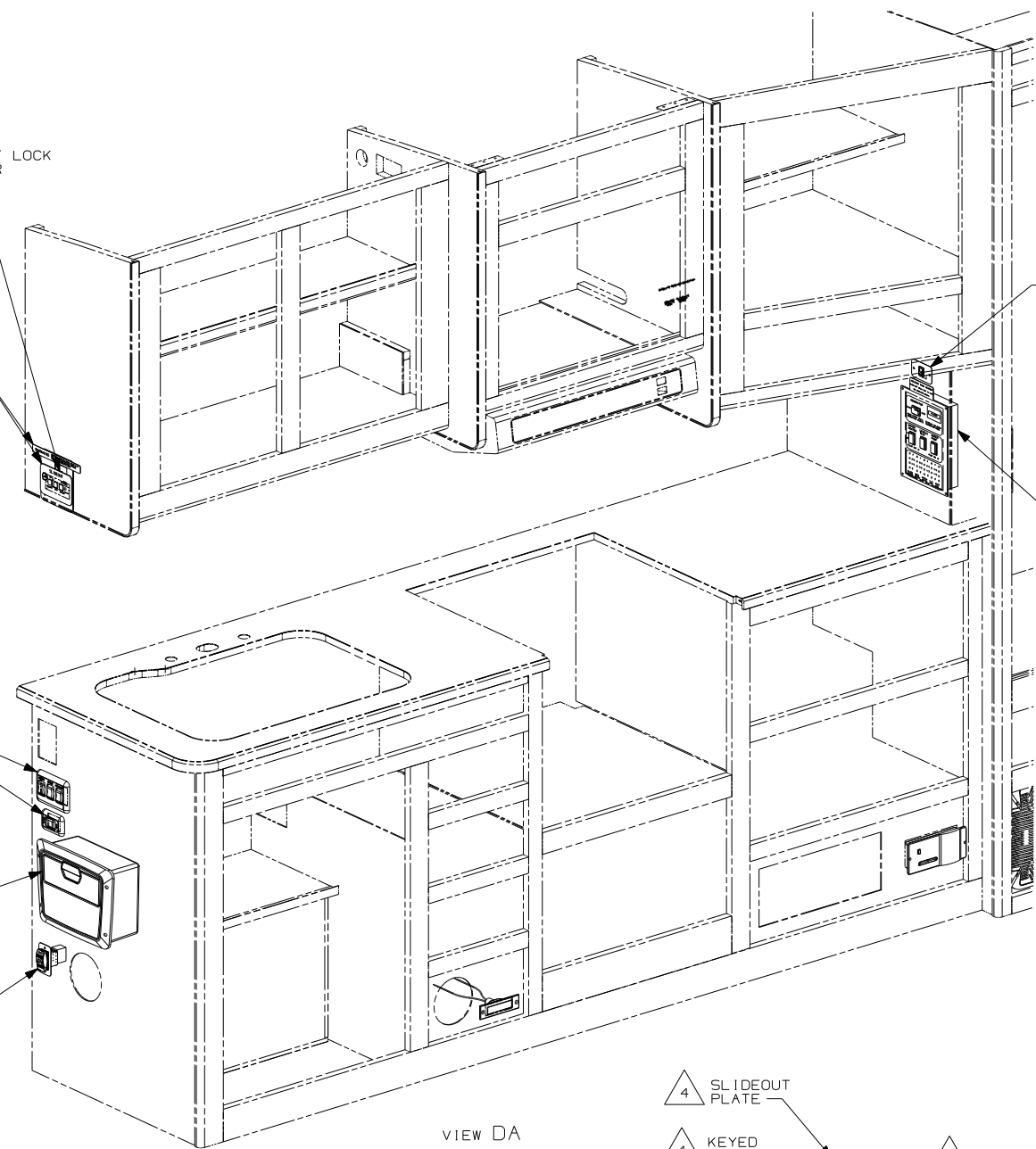
09L 644 SWITCH-SLIDEOUT LOCK WIRE ASM-JUMPER 150750-01-000
DETAIL DD

09L SWITCH DETAIL CD

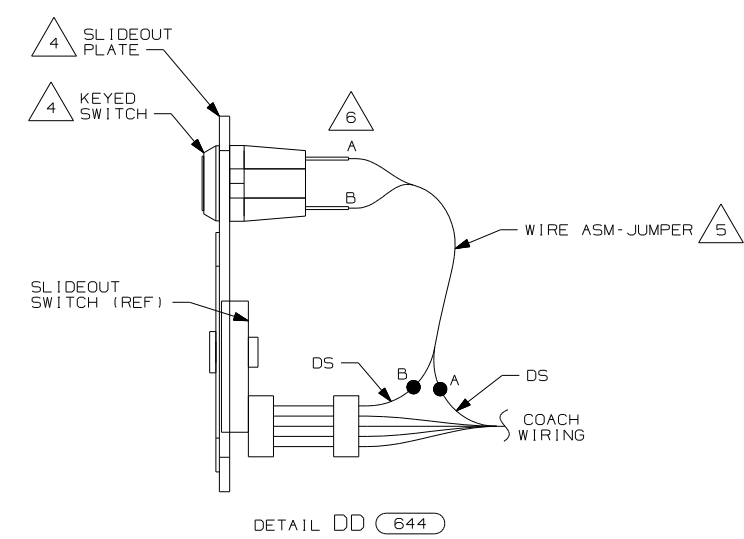
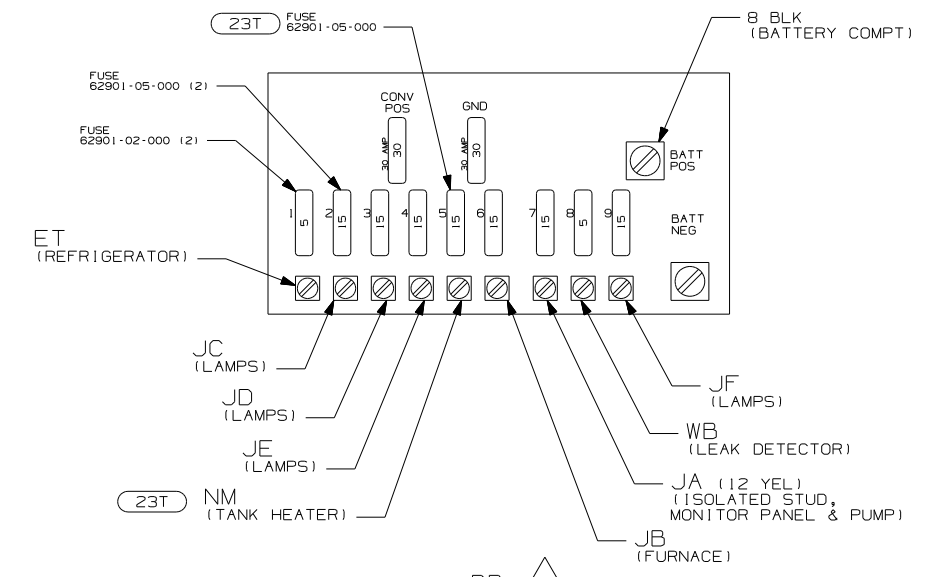
SWITCHES DETAIL CB

50H RADIOS-TWO WAY DOCK STATION 141679-03-000
RADIO-TWO WAY 141679-04-000 (4)
SCREW 76790-01-000 (4)

SWITCH DETAIL CC



40N MONITOR PANEL 134940-06-CHT 134940-07-CHT
1A3



- NOTES:
- 6 REMOVE TERMINALS (SUPPLIED WITH KEY SWITCH), CRIMP ON TO WIRE ASM-JUMPER, AND RECONNECT TO KEY SWITCH.
 - 5 CUT CIRCUIT DS GOING TO SLIDEOUT SWITCH HOUSING AND RECONNECT AS SHOWN.
 - 4 SUPPLIED BY GREAT ALASKAN RENTAL COMPANY.
 - 3 SEE WIRING INSTL-BODY, 110V FOR ADDITIONAL INFORMATION.
 - 2 MOUNT MAGNET USING PILOT HOLES IN SCREEN DOOR FRAME MOUNT WITH MAGNET TOWARD SWITCH.
 - 1 MOUNT SWITCH AND SPACER TO BLOCK ON JAMB ADJUST HEIGHT TO MATCH MAGNET

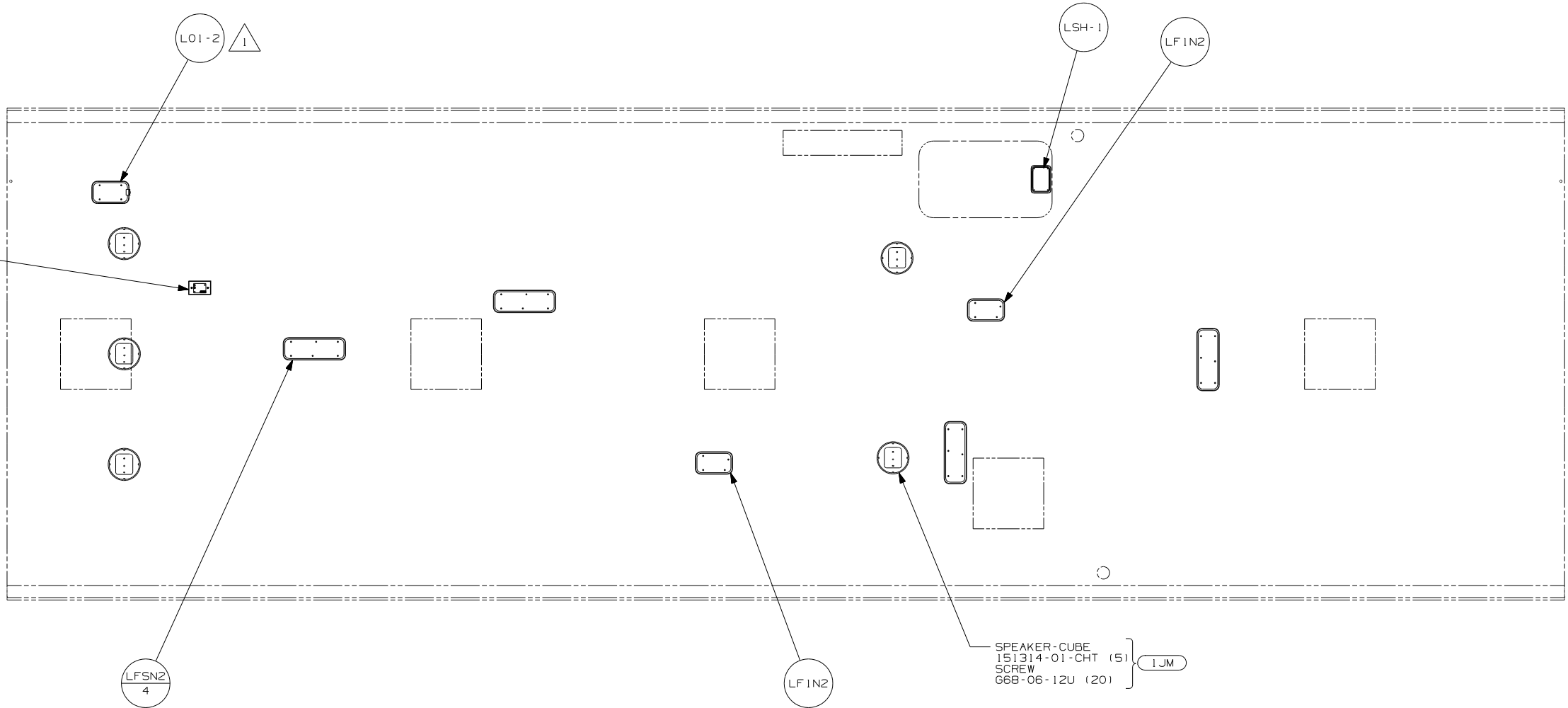
- 644 GREAT ALASKAN RENTAL PACKAGE
- 09L SLIDEOUT ROOM FRONT LEFT
- 50H RADIOS TWO-WAY (4)
- 40N GEN-4.0KW-ONANGAS-MICROQUIET
- 23T DRAINAGE SYSTEM-HEATED
- 1E2 ENTRANCE STEP-ELEC.
- 1A3 GENERATOR WITHOUT

FOR ELECTRICAL TORQUE SPECIFICATIONS SEE DWG NO. 128783-01-000

X-X FOR ELECTRICAL CALLOUTS SEE DWG NO. 121339-01-000

FIRST USED	05 331C/T
TITLE	DO NOT SCALE DRAWING
	WIRING INSTL-BODY, 12V
SHEET 4	PART NO 149376

SATELLITE ELEVATION SENSOR
DETAIL FB



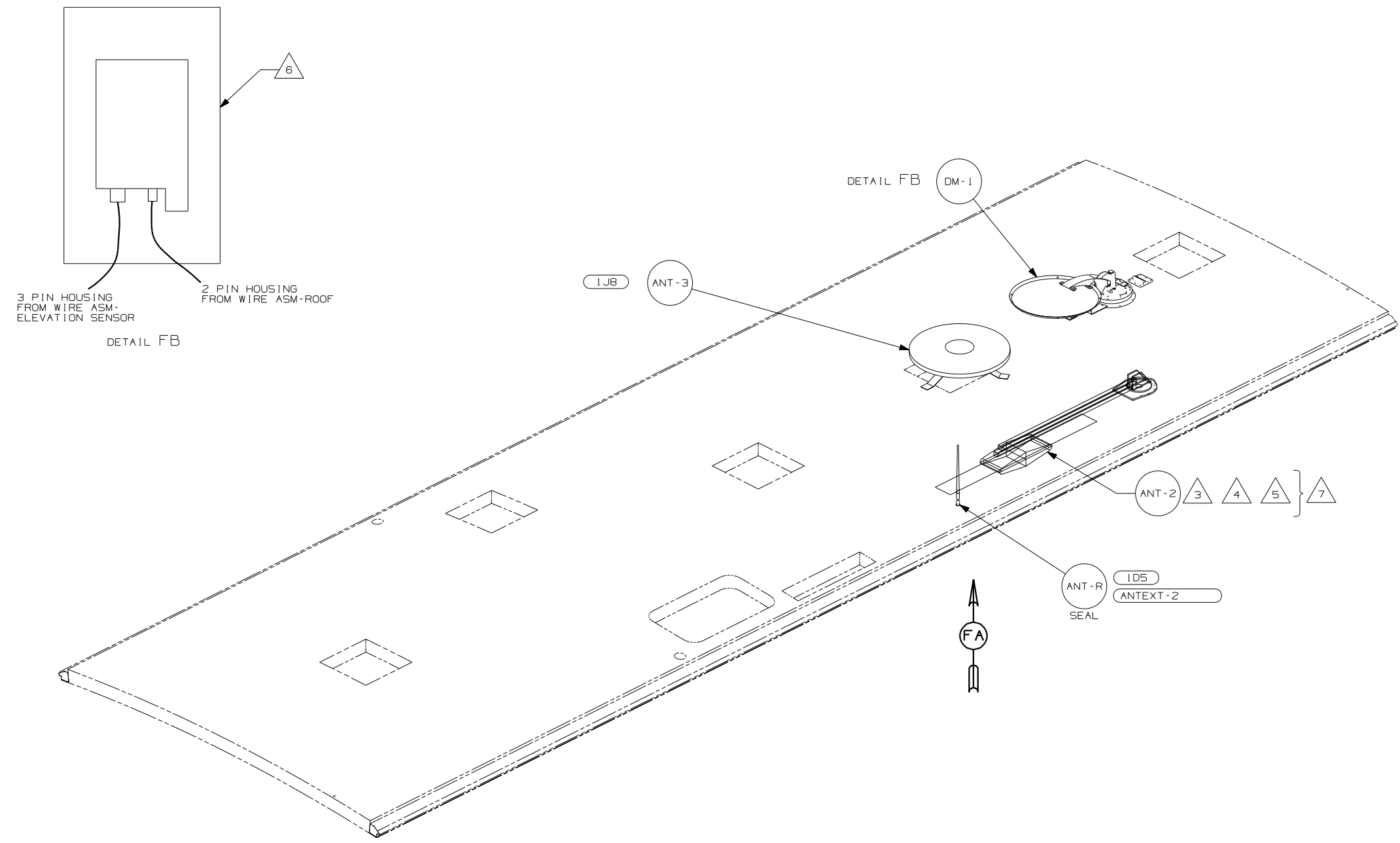
NOTES:
1 NOT USED WITH 42J.

FOR ELECTRICAL TORQUE SPECIFICATIONS SEE DWG NO. 128783-01-000

FOR ELECTRICAL CALLOUTS SEE DWG NO. 121339-01-000

- 1JM HOME THEATER SOUND SYSTEM
- 42J TV-24" COLOR, STEREO W/REMOTE

FIRST USED	05 331C/T
DO NOT SCALE DRAWING	
TITLE:	WIRING INST-BODY, 12V
SHEET 5	PART NO 149376



3 PIN HOUSING FROM WIRE ASM-ELEVATION SENSOR
 2 PIN HOUSING FROM WIRE ASM-ROOF
 DETAIL FB

DETAIL FB DM-1

IJB

ANT-3

ANT-2

3 4 5 } 7

ANT-R

ID5

ANEXT-2

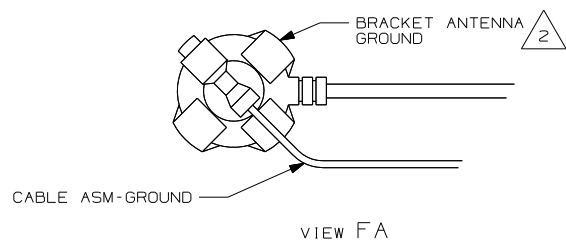
SEAL

FA

- 7 NOT USED WITH IJB.
- 6 SENSOR SUPPLIED WITH SATELLITE ASSEMBLY.
- 5 ADD RUBBER BUMPER TO ROOF UNDER EACH END OF ANTENNA IN DOWN POSITION.
- 4 LOCATE CLAMP TO RETAIN CABLE BUT NOT TO RESTRICT ANTENNA TRAVEL.
- 3 SEE DRAWING 76319-01-000 FOR INSTALLATION OF TV ANTENNA.
- 2 WRAP BRACKET LEGS AROUND ANTENNA BASE.

1. CONNECTOR-PLUG, TRAILER 113589-01-000 TO BE SUPPLIED LOOSE IN COACH WITH TRAILER TOW PACKAGE.

NOTES:

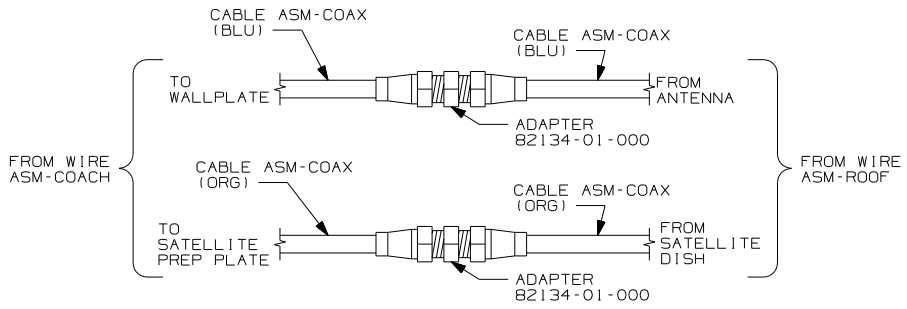
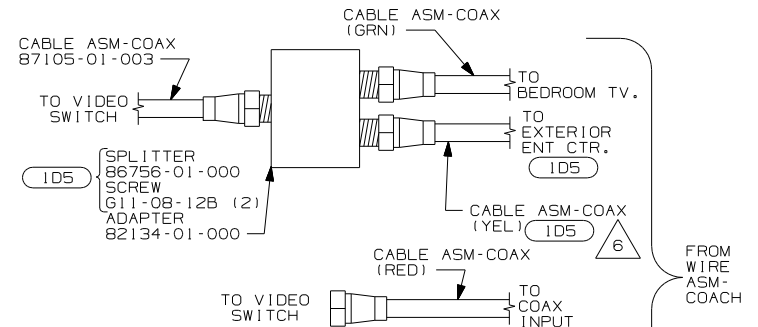
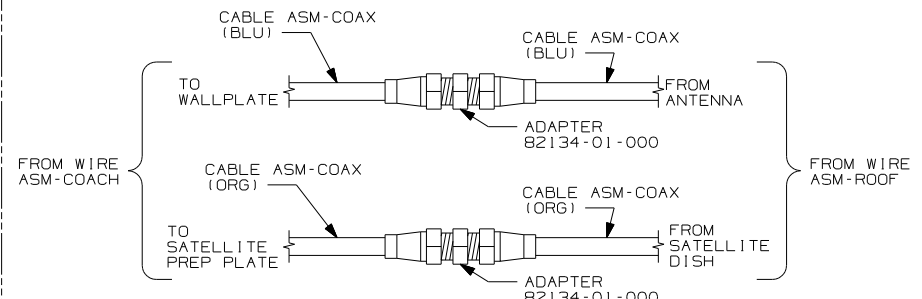
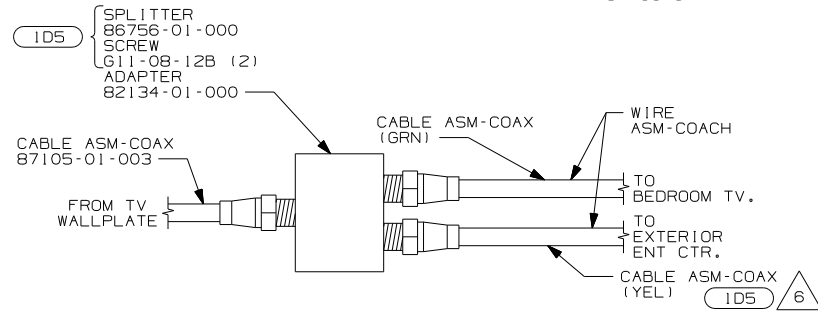
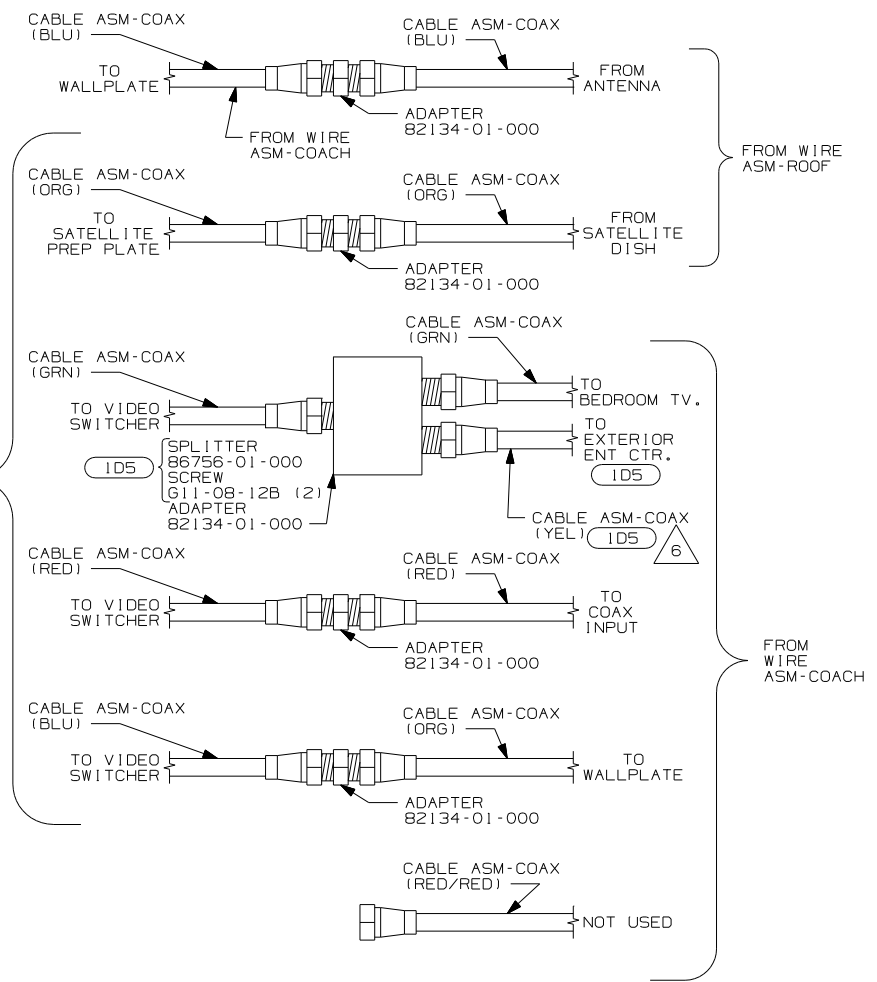
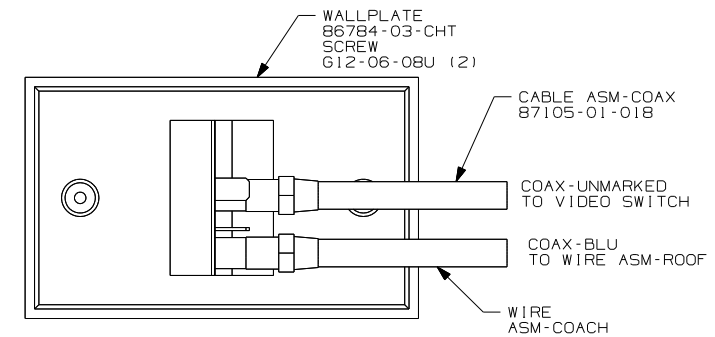
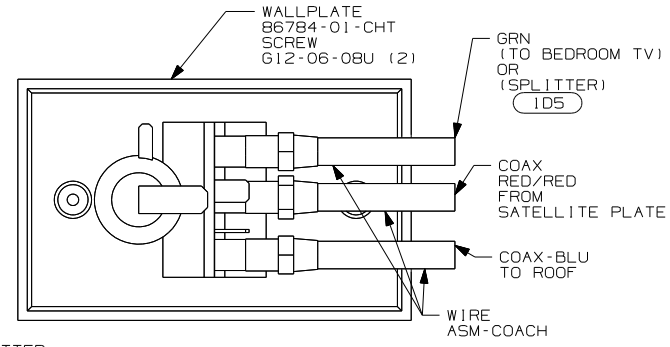
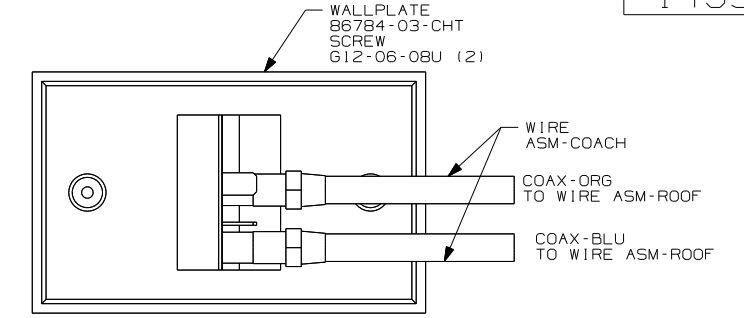
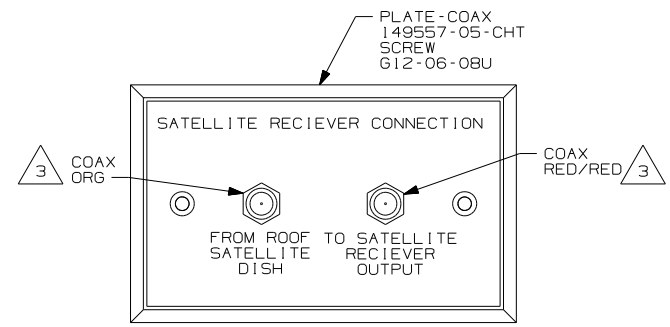
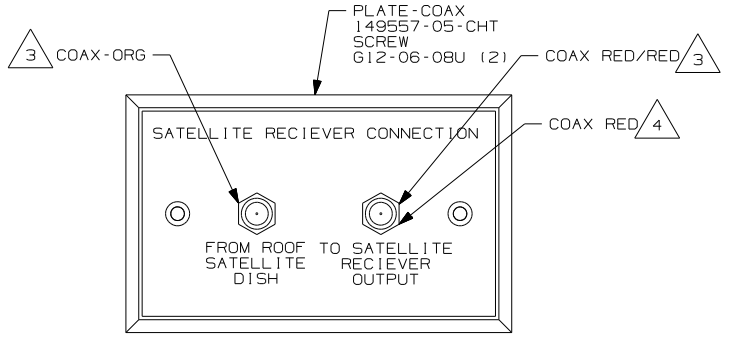


- IJB TV ANTENNA-OMNIDIRECTIONAL
- ID5 ENTERTAINMENT CENTR/EXT W/CD
- 480 SATELLITE DISH & ELEV.SENSOR

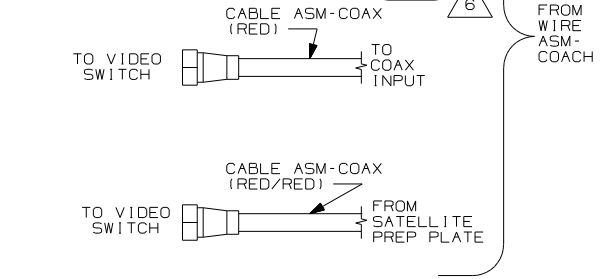
FOR ELECTRICAL TORQUE SPECIFICATIONS SEE DWG NO. 128783-01-000

FOR ELECTRICAL CALLOUTS SEE DWG NO. 121339-01-000

FIRST USED	05 331C/T
DO NOT SCALE DRAWING	
TITLE	WIRING INST-BODY, 12V
SHEET 6	PART NO 149376



DETAIL GA 2



DETAIL GA 42M 5

DETAIL GA 42J 1

- NOTES:
- 6 COAX NOT USED WITHOUT ID5.
 - 5 WITH SIDE ENTERRAINMENT CENTER, SEE WIRING INSTL-TV/VCR, SIDE FOR ADDITIONAL INFORMATION.
 - 4 CONNECT COAX TO FRONT SIDE OF WALLPLATE.
 - 3 CONNECT COAX TO BACKSIDE OF WALLPLATE.
 - 2 WITHOUT 42J OR 42M.
 - 1 WITH FRONT ENTERRAINMENT CENTER, SEE WIRING INSTL-TV/VCR, FRONT FOR ADDITIONAL INFORMATION.

- 42M TV-19" COLOR W/STEREO
- 42J TV-24" COLOR, STEREO W/REMOTE
- ID5 ENTERTAINMENT CENTER/EXT W/CD
- 265 CODES/STANDARDS-CSA/CMVSS
- 1B1 CODES/STANDARDS USA

FIRST USED	05 331C/T
TITLE	DO NOT SCALE DRAWING
TITLE	WIRING INST-BODY, 12V
SHEET 7	PART NO 149376