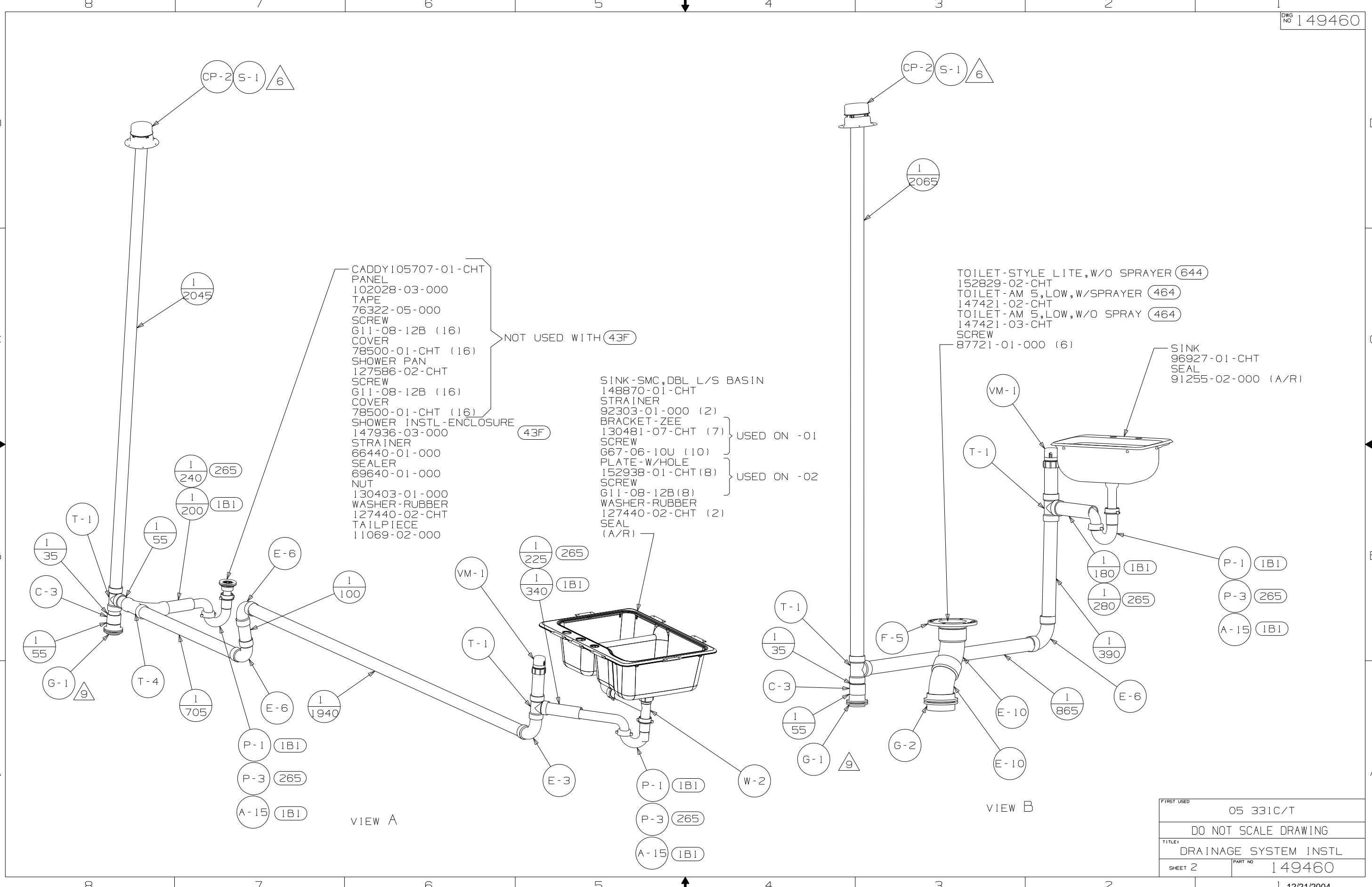


- (43F) SHOWER SURROUND
- (464) TOILET
- (1B1) CODES/STANDARDS USA
- (265) CODES/STANDARDS-CSA/CMVSS
- (23T) DRAINAGE SYSTEM-HEATED

10. SECURE PIPES TO CABINET USING WIRE TIE 108046-02-000 AND SCREW G67-10-12B.
9. SECURE VENT TUBES TO FLOOR WITH CLAMP 62401-02-000 (2) SCREW G67-10-12B (2) AND BRACKET 136878-01-CHT (2).
8. WRAP PAD AROUND ON THE SIDES OF THE TANK.
7. SEE WIRING INSTL-BODY, 12V FOR ELECTRICAL CONNECTION.
6. VENT PIPE MUST PROJECT 51 MIN AND 64 MAX ABOVE ROOF FOR PROPER FIT AND FUNCTION.
5. SEAL AROUND SHOWER WITH SILICONE.
4. ALL EXTERIOR OPENINGS AROUND PIPE TO BE SEALED WITH 131264-03.
3. ALL PIPE AND FITTINGS TO BE ASSEMBLED WITH SOLVENT 4020-01-000.
2. SLOPE OF TRAP ARM MUST BE 6 PER 305 mm.
1. SLOPE OF HORIZONTAL PIPING TO BE MIN 3 PER 305 mm.

WINNEBAGO		COPYRIGHT 2004 WINNEBAGO INDUSTRIES, INC.	
DFT	ORIG. DATE	ALL DIMENSIONS ARE IN MILLIMETERS	
CHKR		FIRST USED	
P.E.		05 331C/T	
M.E.		UNSPECIFIED TOLERANCES ARE:	
DSNR		MATERIAL:	
		WHOLE DIM (X) :	7
		ONE-PLACE (X.X) :	
		TWO-PLACE (X.XX) :	
		ANGLE :	
		THIRD ANGLE PROJECTION	
DO NOT SCALE DRAWING			
TITLE: DRAINAGE SYSTEM INSTL			
SHEET 1 OF 3		PART NO 149460	

FOR
DRAINAGE
CALLOUTS
SEE DWG NO
116229-01-000



CADDY 105707-01-CHT
 PANEL
 102028-03-000
 TAPE
 76322-05-000
 SCREW
 G11-08-12B (16)
 COVER
 78500-01-CHT (16)
 SHOWER PAN
 127586-02-CHT
 SCREW
 G11-08-12B (16)
 COVER
 78500-01-CHT (16)
 SHOWER INSTL-ENCLOSURE
 147936-03-000
 STRAINER
 66440-01-000
 SEALER
 69640-01-000
 NUT
 130403-01-000
 WASHER-RUBBER
 127440-02-CHT
 TAILPIECE
 11069-02-000

NOT USED WITH 43F

43F

SINK-SMC, DBL L/S BASIN
 148870-01-CHT
 STRAINER
 92303-01-000 (2)
 BRACKET-ZEE
 130481-07-CHT (7)
 SCREW
 G67-06-10U (10)
 PLATE-W/HOLE
 152938-01-CHT (8)
 SCREW
 G11-08-12B (8)
 WASHER-RUBBER
 127440-02-CHT (2)
 SEAL
 (A/R)

USED ON -01

USED ON -02

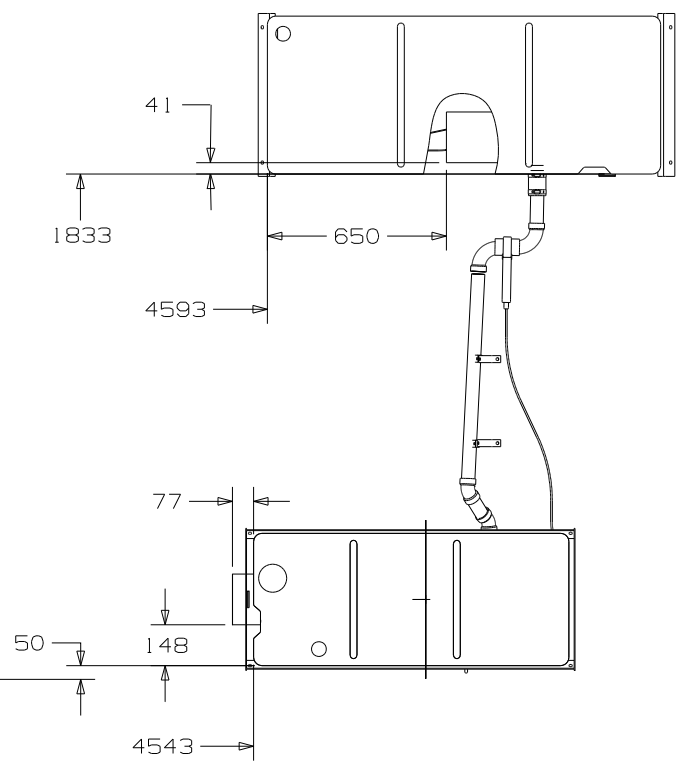
TOILET-STYLE LITE, W/O SPRAYER 644
 152829-02-CHT
 TOILET-AM 5, LOW, W/SPRAYER 464
 147421-02-CHT
 TOILET-AM 5, LOW, W/O SPRAY 464
 147421-03-CHT
 SCREW
 87721-01-000 (6)

SINK
 96927-01-CHT
 SEAL
 91255-02-000 (A/R)

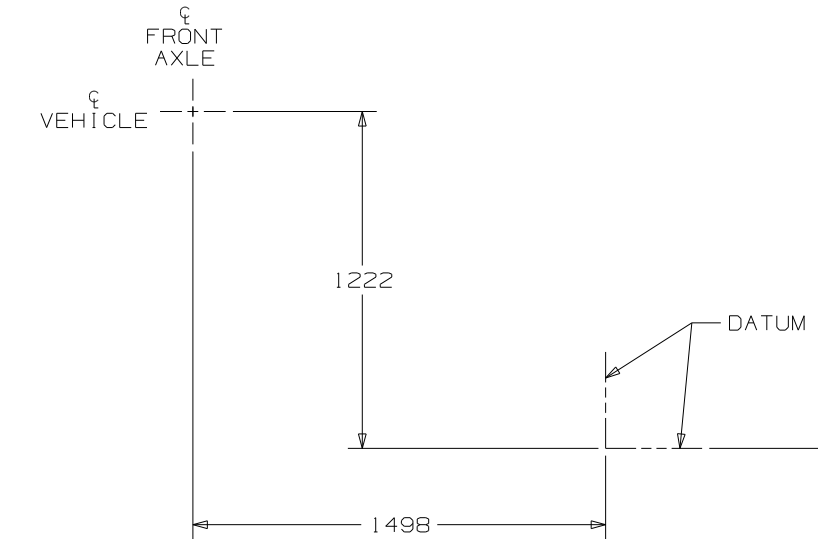
VIEW A

VIEW B

FIRST USED	05 331C/T
DO NOT SCALE DRAWING	
TITLE	DRAINAGE SYSTEM INSTL
SHEET 2	PART NO 149460



VIEW C



- CRADLE ASM
141451-01-CHT
BOLT
65115-03-000 (4)
NUT
D39-05-00B (4)
WASHER
E13-16-00B (4)

- HANGER-STRAP
140220-04-CHT (2)
BOLT
C18-05-40A (2)
NUT
D39-005-00B (2)

- CABLE - VALVE, REMOTE
62421-05-000

- HOLDER-RING
141443-02-CHT (2)
BOLT
C12-05-16B (2)
NUT
D12-05-00B (2)
NUT
D39-05-00B (3)
BOLT
C18-05-40A (3)

- PAD-HEATER, ELBOW
133972-03-000

- CRADLE ASM
137609-02-CHT
BOLT
C18-05-40A (4)
NUT
D39-05-00B (4)
WASHER
E13-16-00B (4)

- TANK - HOLDING
137882-04-CHT

- TANK - HOLDING (23T)
127519-04-000

- PAD-HEATER
133972-01-000

- PAD-HEATER
133972-01-000

- VALVE
72346-01-000

23T

05 331C/T

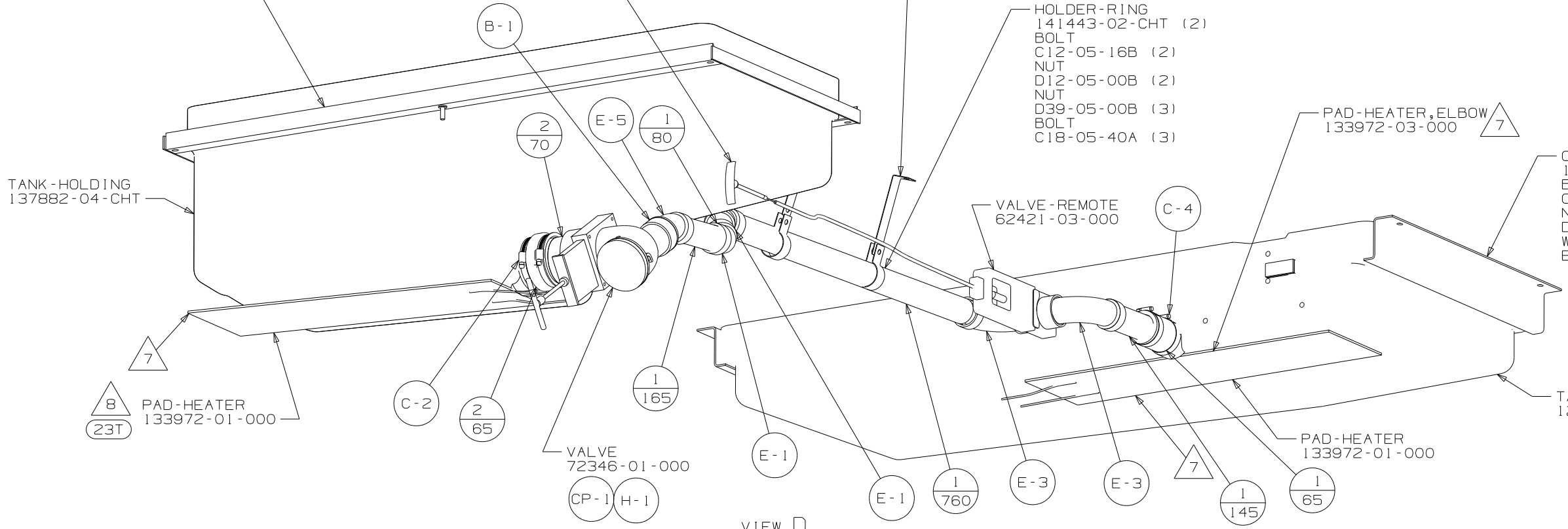
DO NOT SCALE DRAWING

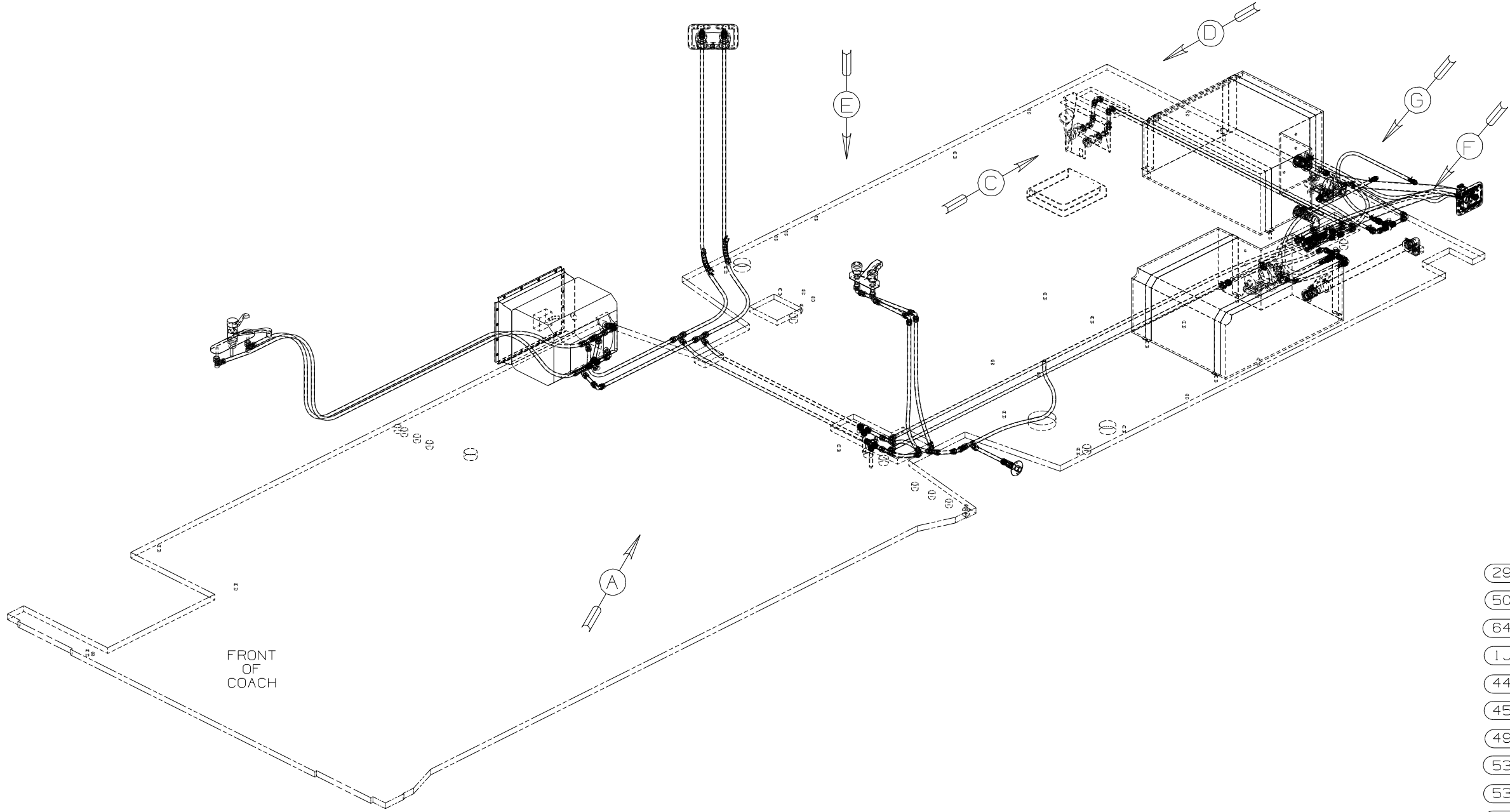
TITLE: DRAINAGE SYSTEM INSTL

SHEET 3 PART NO 149460

12/21/2004

VIEW D



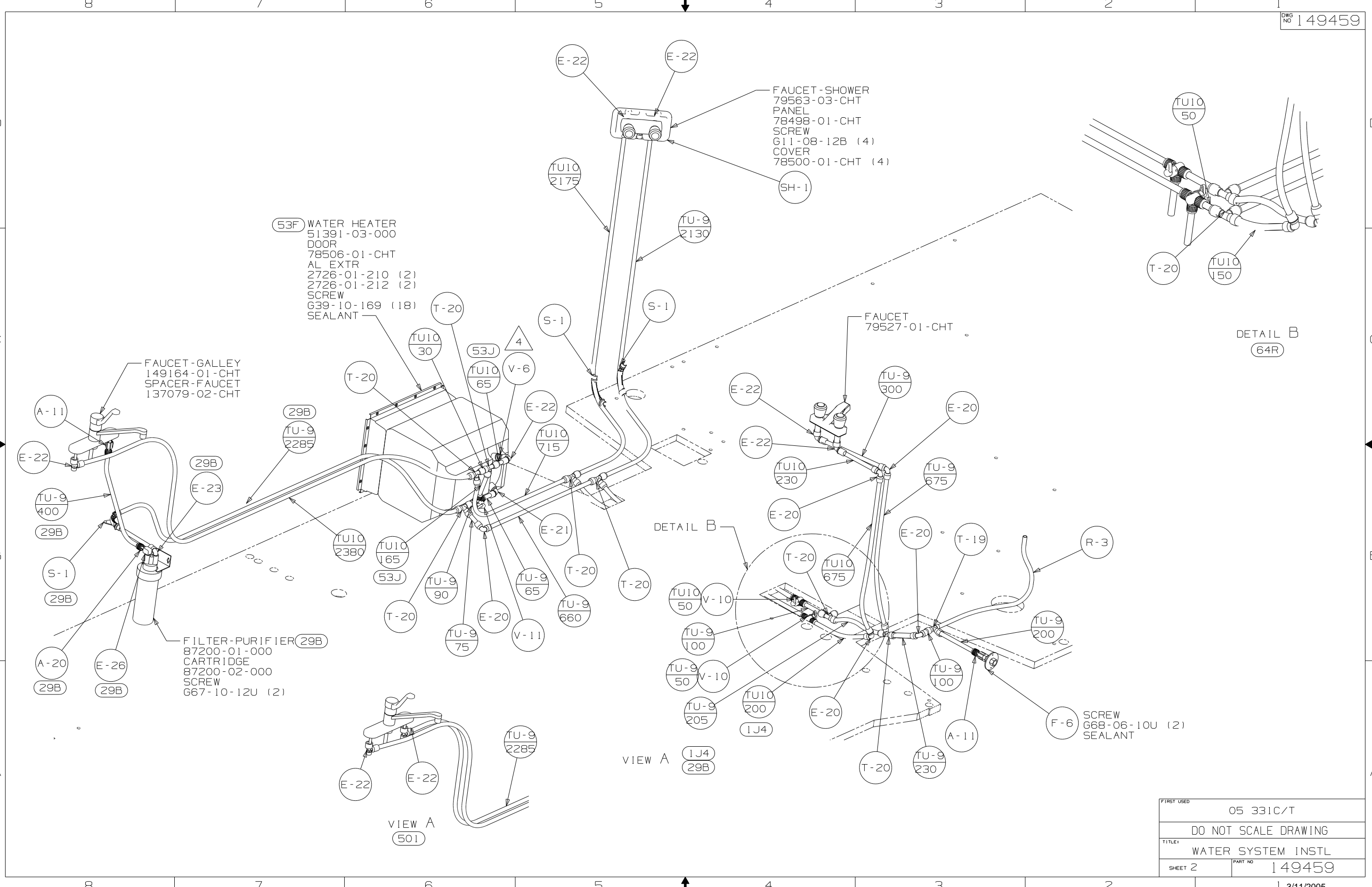


- (29B) WATER PURIFIER
- (50I) WATER PURIFIER-W/O
- (64R) EXTERIOR WASH STATION
- (1J4) EXT WASH STATION-WITHOUT
- (44X) BED-QUEEN SIDEWALL
- (45G) BED-TWINS
- (49X) BED-QUEEN-BACKWALL
- (53P) WINTERIZING VALVE, MANUAL
- (53J) WATER HEATER BY-PASS-VALVE
- (53F) WTR HTR-6 GAL ELEC IGN

- NOTES:
- 7 ADD PIPE WRAP (LADDER SCRAP) INSULATION HERE.
 - 6 ANTI-RATTLE CLAMP 10495-01-000, SCREW G67-10-12B.
 - 5 ADD TEFLON TAPE 10405-01-000 TO FITTING.
 - 4 ADD TEFLON TAPE 10405-02-000 TO FITTING.
3. ALL TUBING TO BE SECURED AT 1200 INTERVALS MAXIMUM WITH CLAMP 10495-01-000 OR CLIP 9151-01-000 AND SCRWE G67-10-12B.
 2. TUBING TO BE INSTALLED WITH SUFFICIENT SLOPE TO PROVIDE DRAINAGE TO NEAREST VALVE.
 1. PLASTIC FITTINGS TO BE SEALED WITH SEALANT 94456-01-000.

WINNEBAGO		COPYRIGHT 2005 WINNEBAGO INDUSTRIES, INC.	
DFTR	ORIG. DATE	ALL DIMENSIONS ARE IN MILLIMETERS	
CHKR		FIRST USED 05 331C/T	
P.E.		UNSPECIFIED TOLERANCES ARE:	
M.E.		WHOLE DIM (X)	: 3
DSNR		ONE-PLACE (X.X)	:
		TWO-PLACE (X.XX)	:
		ANGLE	:
THIRD ANGLE PROJECTION		MATERIAL:	
DO NOT SCALE DRAWING			
TITLE: WATER SYSTEM INSTL			
SHEET 1 OF 5		PART NO 149459	
REF: 144464 1 3/11/2005			

(X-X)
FOR
WATER
CALLOUTS
SEE DWG NO
116230-01-000



(53F) WATER HEATER
 51391-03-000
 DOOR
 78506-01-CHT
 AL EXTR
 2726-01-210 (2)
 2726-01-212 (2)
 SCREW
 639-10-169 (18)
 SEALANT

FAUCET - GALLEY
 149164-01-CHT
 SPACER-FAUCET
 137079-02-CHT

FILTER-PURIFIER (29B)
 87200-01-000
 CARTRIDGE
 87200-02-000
 SCREW
 667-10-12U (2)

FAUCET - SHOWER
 79563-03-CHT
 PANEL
 78498-01-CHT
 SCREW
 611-08-12B (4)
 COVER
 78500-01-CHT (4)

FAUCET
 79527-01-CHT

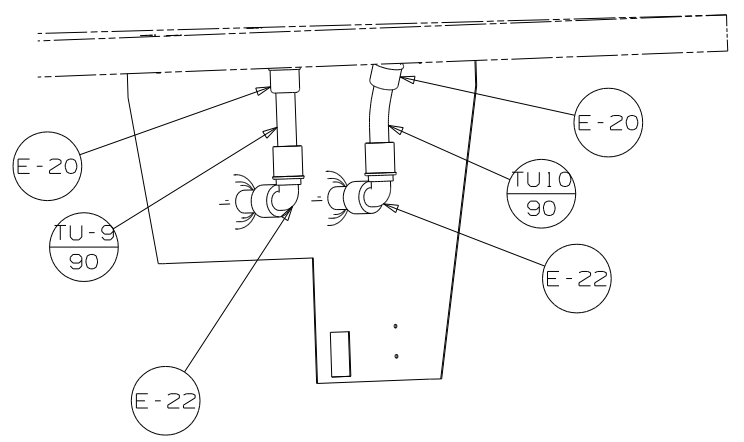
DETAIL B
 (64R)

SCREW
 668-06-10U (2)
 SEALANT

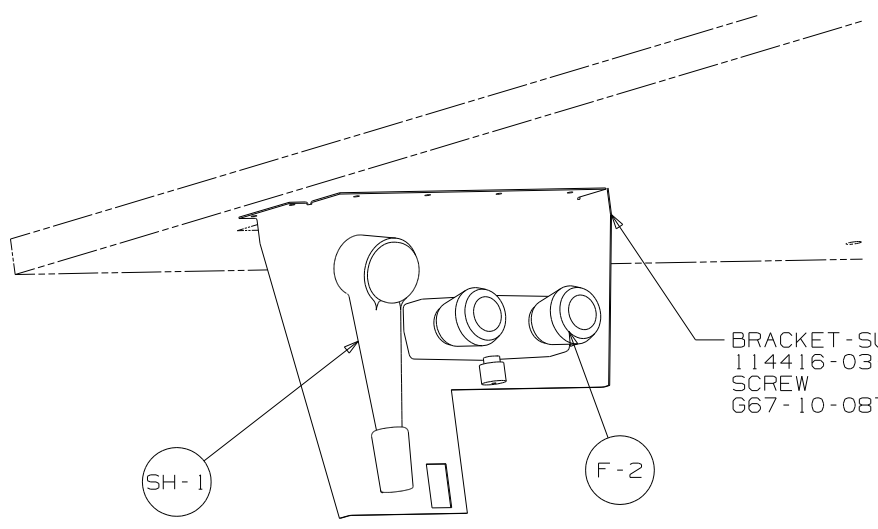
VIEW A
 (501)

VIEW A
 (1J4
 29B)

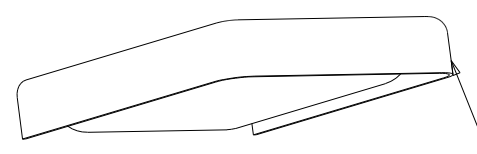
FIRST USED	05 331C/T
TITLE:	DO NOT SCALE DRAWING
SHEET 2	PART NO 149459
	1 3/11/2005



VIEW D
64R

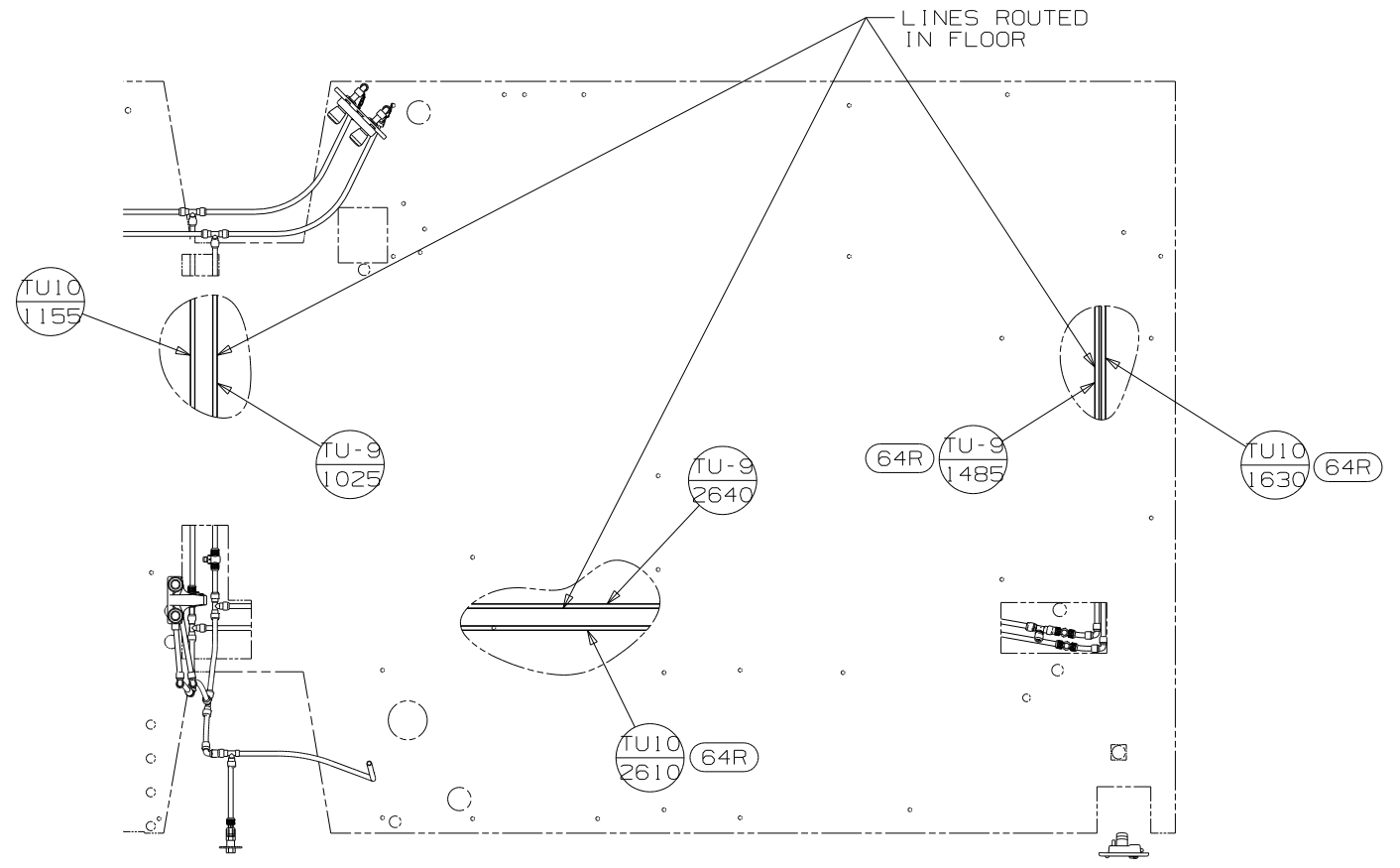


BRACKET-SUPPORT, FAUCET
114416-03-CHT
SCREW
G67-10-08T (6)



VIEW C
64R

PAN-DRIP, EXTERIOR SHOWER
114293-01-CHT
SCREW
G67-10-08U (2)



VIEW E

FIRST USED	05 331C/T
TITLE	DO NOT SCALE DRAWING
SHEET 3	PART NO 149459
	1 3/11/2005

TANK ASM-WATER, 31 GAL
 64214-24-000
 STRAP-TANK, WATER
 118994-03-CHT
 118994-04-CHT
 BOLT
 C18-05-40A (4)
 NUT
 D39-05-00B (4)
 WASHER
 E13-16-00B (4)

VALVE
 132483-01-000

TUBING
 74462-01-000
 650

SCREW
 G11-08-12U (4)
 SEALANT

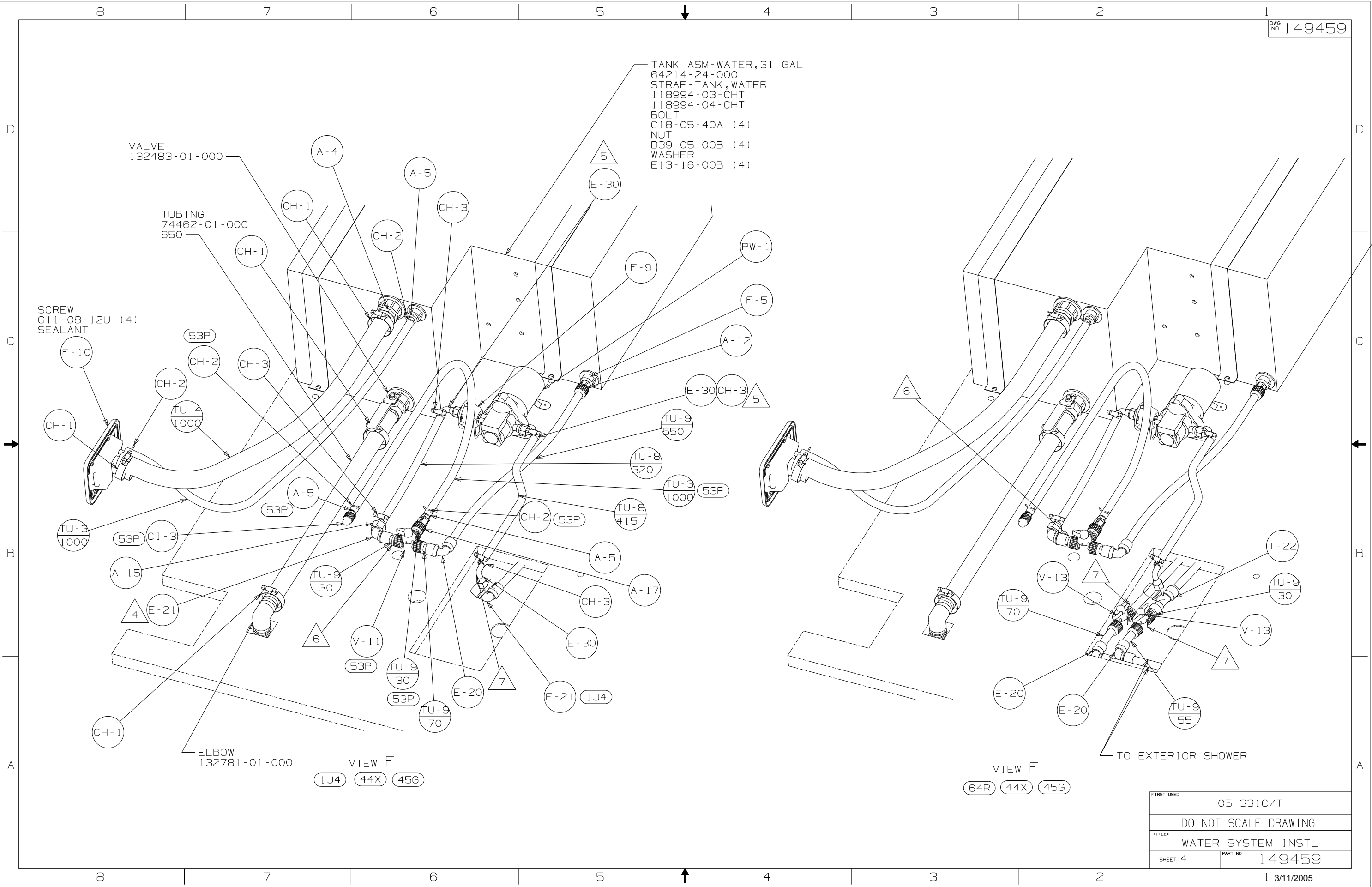
ELBOW
 132781-01-000

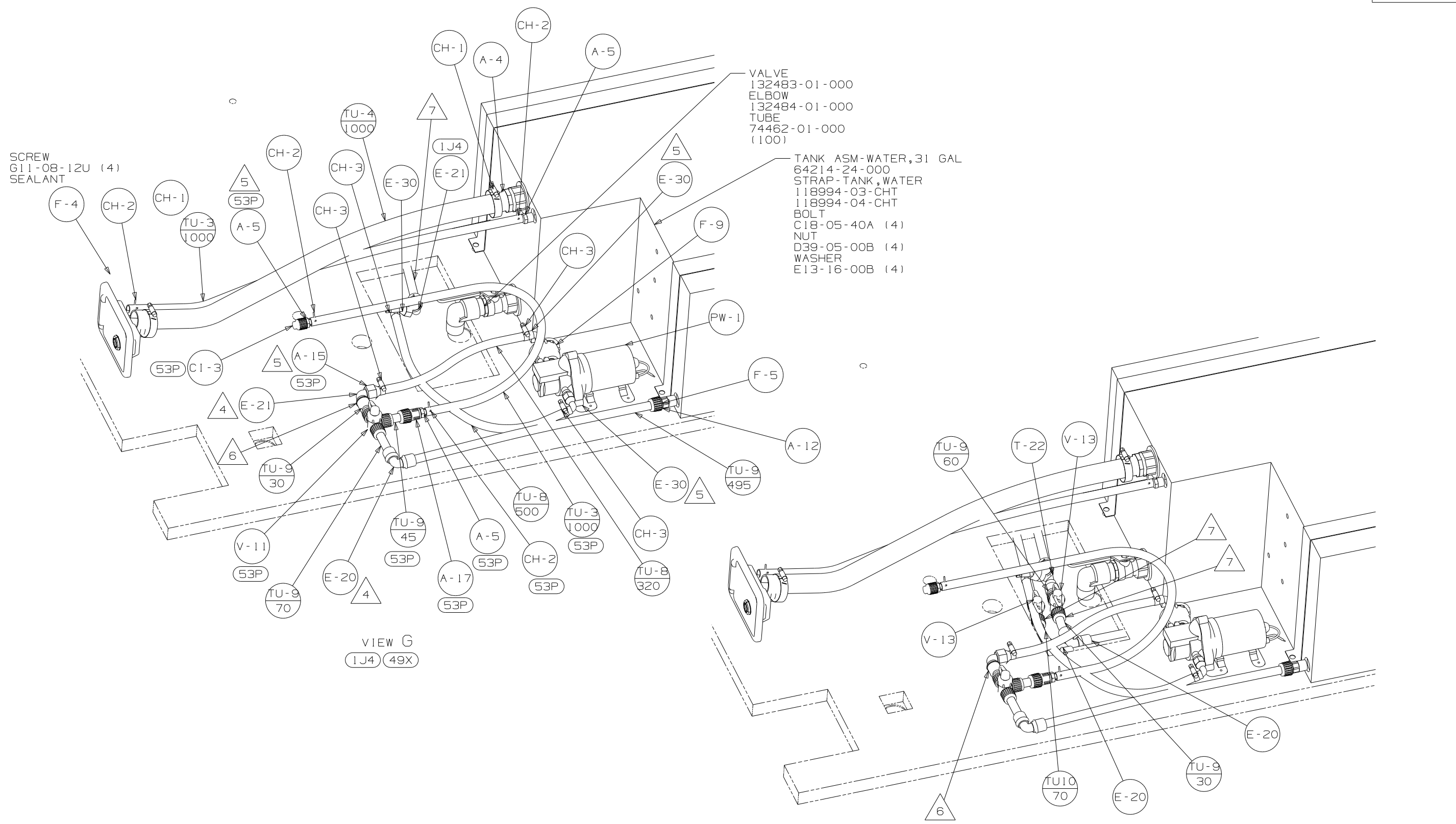
VIEW F
 (1J4) (44X) (45G)

VIEW F
 (64R) (44X) (45G)

TO EXTERIOR SHOWER

FIRST USED	05 331C/T
TITLE	DO NOT SCALE DRAWING
TITLE	WATER SYSTEM INSTL
SHEET 4	PART NO 149459





SCREW
G11-08-12U (4)
SEALANT

VALVE
132483-01-000
ELBOW
132484-01-000
TUBE
74462-01-000
(100)

TANK ASM-WATER, 31 GAL
64214-24-000
STRAP-TANK, WATER
118994-03-CHT
118994-04-CHT
BOLT
C18-05-40A (4)
NUT
D39-05-00B (4)
WASHER
E13-16-00B (4)

VIEW G
1J4 49X

VIEW G
64R 49X

FIRST USED	05 331C/T
DO NOT SCALE DRAWING	
TITLE:	WATER SYSTEM INSTL
SHEET 5	PART NO 149459