



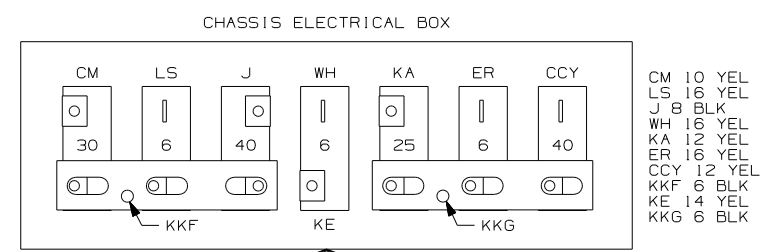
DANGER

Danger of electrical shock, burns or death. Always remove all power sources before attempting any repair, service or diagnostic work. Power can be present from shore power, generator, inverter or battery. All power sources must be disabled and secured before performing any service.

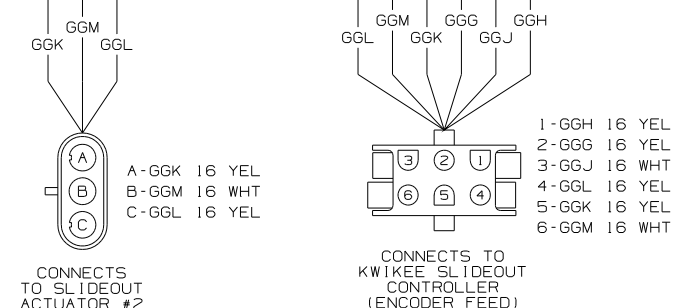
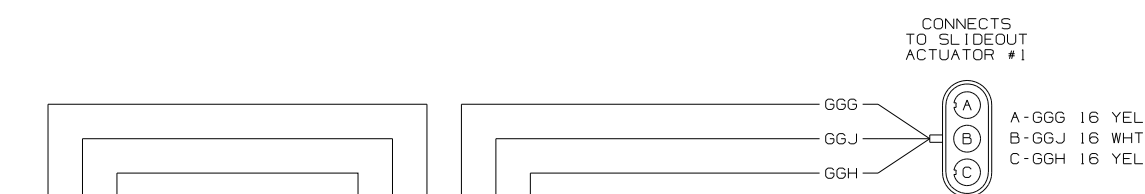
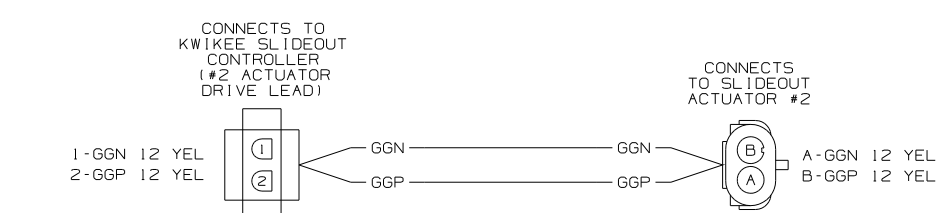
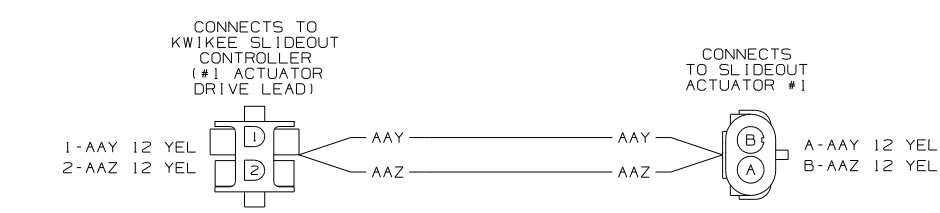
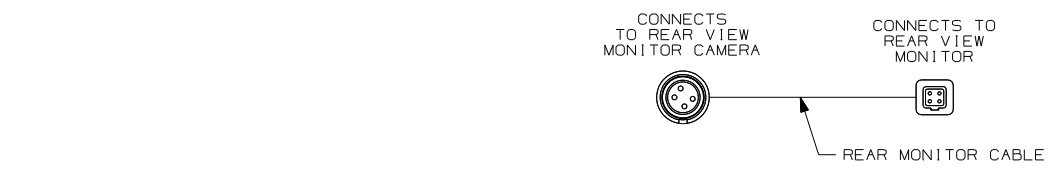


CAUTION

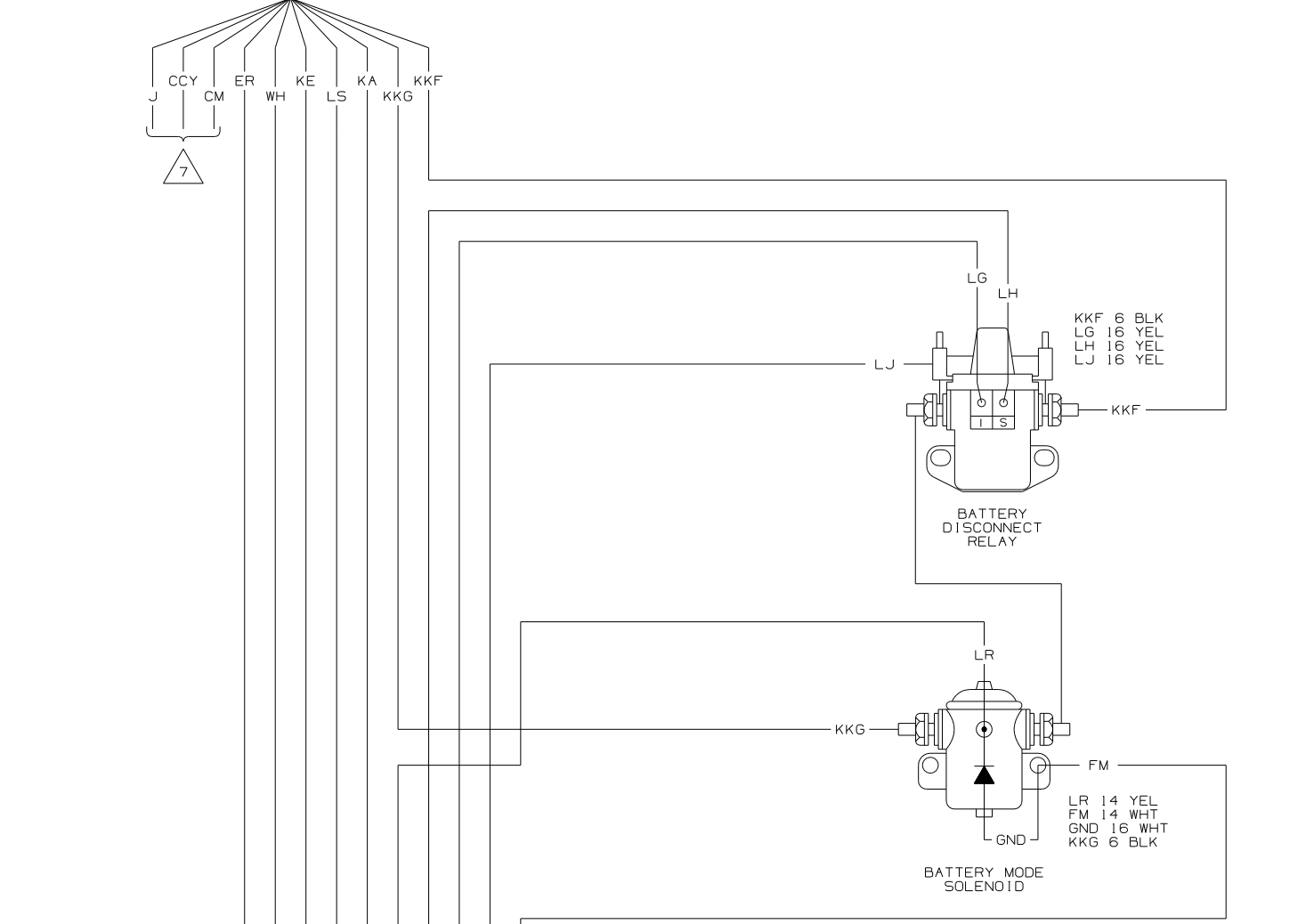
If you lack the skills, tools or equipment to perform diagnostic or repair work leave such work to an authorized Winnebago Industries dealer or other qualified shop.



- CM 10 YEL
- LS 16 YEL
- J 8 BLK
- WH 16 YEL
- KA 12 YEL
- ER 16 YEL
- CCY 12 YEL
- KKF 6 BLK
- KE 14 YEL
- KKG 6 BLK



WIRING DIAGRAM-CHASSIS
(WIRE ASM 149380 REV-C)



- KKF 6 BLK
- LG 16 YEL
- LH 16 YEL
- LJ 16 YEL

- LR 14 YEL
- FM 14 WHT
- GND 16 WHT
- KKG 6 BLK

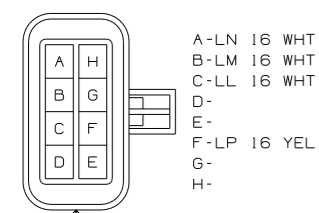
WIRING DIAGRAM-ELECTRICAL BOX
(WIRE ASM 124125-04 REV-L)

- 1-
- 2-
- 3-ER 16 YEL
- 4-
- 5-LG 16 YEL
- 6-FM 14 WHT
- 7-LR 14 YEL
- 8-IHS 16 YEL
- 9-WH 16 YEL
- 10-KE 14 YEL
- 11-LH 16 YEL
- 12-
- 13-LJ 16 YEL
- 14-LS 16 YEL
- 15-KA 12 YEL

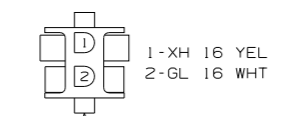
CONNECTS TO WIRE ASM-CHASSIS (SHT 1, A-22) (LOCATED IN CHASSIS BREAKER PANEL)

WINNEBAGO		COPYRIGHT 2004 WINNEBAGO INDUSTRIES, INC.	
DFTR	ORIG. DATE	ALL DIMENSIONS ARE IN MILLIMETERS	
CHKR		MATERIAL:	
P.E.		UNSPECIFIED TOLERANCES ARE:	
M.E.	FIRST USED	WHOLE DIM (XX) :	
DSNR	05 331C & T	ONE-PLACE (X.X) :	
		TWO-PLACE (X.XX) :	
		ANGLE :	
		THIRD ANGLE PROJECTION	
DO NOT SCALE DRAWING			
TITLE: WIRING DIAGRAM-BODY, 12V			
SHEET 1 of 6	PART NO	149378	

CONNECTS TO GENERATOR



CONNECTS TO WIRE ASM-TANK, WATER



LP TANK

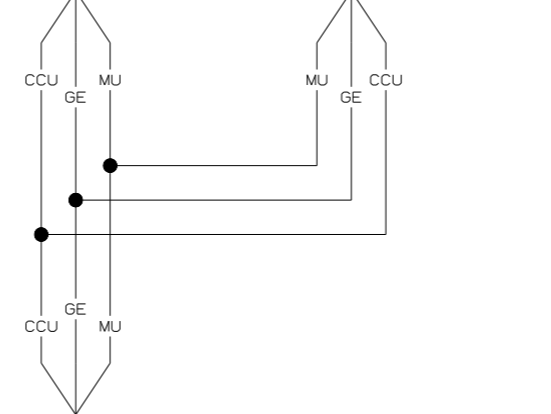
JT 16 YEL
MP 16 WHT

DOMELAMP

CCU 16 YEL
GE 16 YEL
MU 14 WHT

DOMELAMP

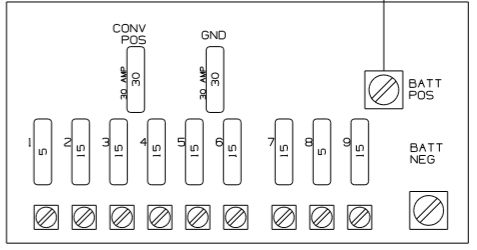
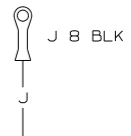
CCU 16 YEL
GE 16 YEL
MU 14 WHT



CONNECTS TO FORD WIRING

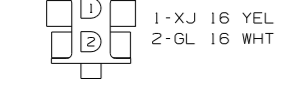
BLK-MU 14 WHT
LT GRN/YEL-CCU 16 YEL
BLK/LT BLU-GE 16 YEL

CONNECTS TO CIRCUIT BREAKER COACH POWER (SHT 1, D-4)



GND

XJ

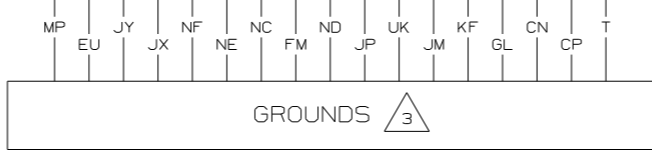


CONNECTS TO WIRE ASM-TANK, MAIN HOLDING



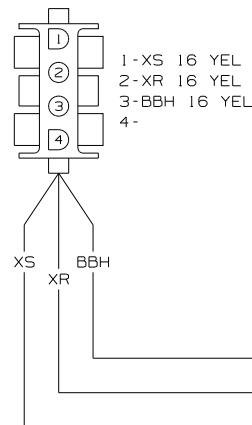
CONNECTS TO CIRCUIT BREAKER SLIDEOUT (SHT 1, D-4)

KWIKKEE CONTROLLER

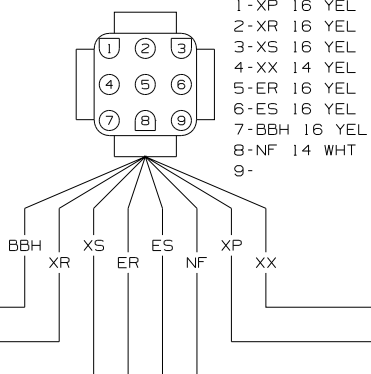


NF 14 WHT
 JP 14 WHT
 UK 16 WHT
 JM 14 WHT
 KF 16 WHT
 MP 16 WHT
 EU 16 WHT
 JY 12 WHT
 JX 14 WHT
 NE 14 WHT
 NC 14 WHT
 FM 14 WHT
 ND 14 WHT
 GL 16 WHT
 CN 10 WHT
 CP 12 WHT
 T 10 WHT

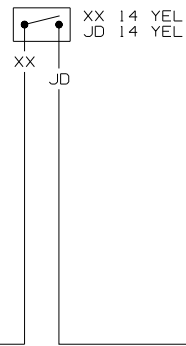
CONNECTS TO THERMOSTAT



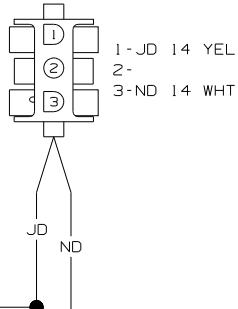
CONNECTS TO WIRE ASM-RIGHT (SHT 2, D-19) (LOCATED BELOW RANGE)



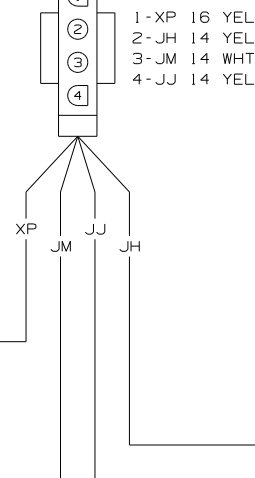
DINETTE CEILING LAMP SWITCH



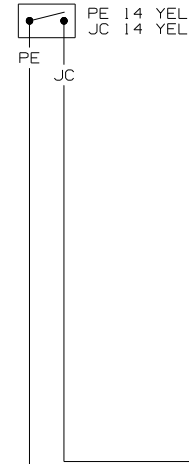
CONNECTS TO WIRE ASM-SIDEWALL (SHT 4, A-5) (LOCATED BELOW DINETTE SEAT)



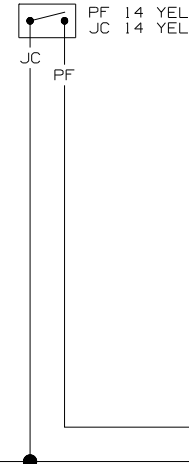
CONNECTS TO THERMOSTAT



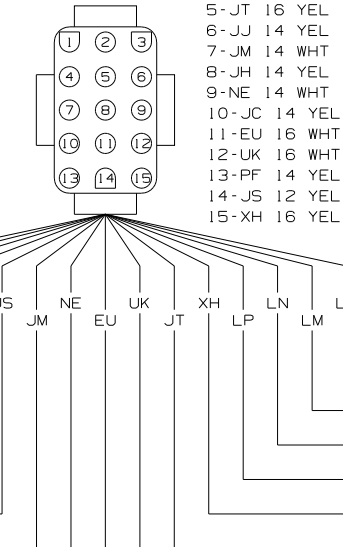
BATH LAMP SWITCH



SHOWER LAMP SWITCH



CONNECTS TO WIRE ASM-RIGHT (SHT 2, D-23) (LOCATED BELOW RANGE)



LL
LM
LN
LP
XH
JT

JS

GND

GND

MS

XJ

CONNECTS TO FORD RUN ONLY CIRCUIT (WHT/PUR WIRE)



CONNECTS TO BATTERY CHANGE OVER SWITCH



CONNECTS TO WIRE ASM-ELECTRICAL BOX (SHT 1, A-3)



CONNECTS TO WIRE ASM-ELECTRIC STEP



STEP DOOR SWITCH



CONNECTS TO WIRE ASM-RIGHT (SHT 2, A-11) (LOCATED BELOW RANGE)



CONNECTS TO RADIO SWITCH

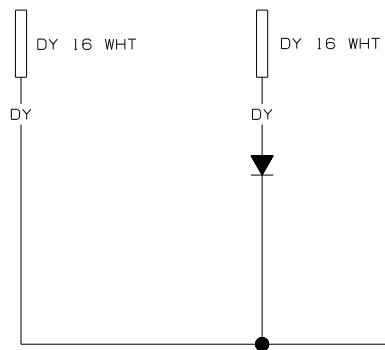


CONNECTS TO DASH RADIO ASM

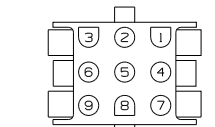


CONNECTS TO EMERGENCY BRAKE SWITCH

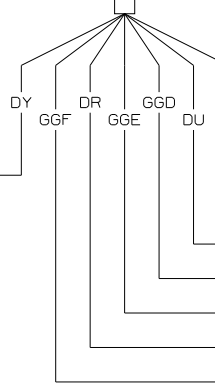
CONENCTS TO FORD DASH WIRING



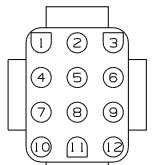
CONNECTS TO KWIKEE SLIDEOUT CONTROLLER (INTERFACE FEED)



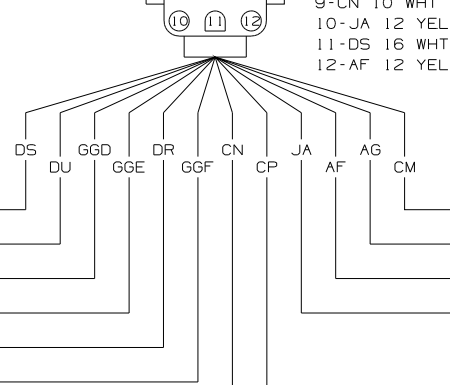
- 1-DS 16 WHT
- 2-DU 16 YEL
- 3-GGD 16 YEL
- 4-GGE 16 YEL
- 5-DR 16 YEL
- 6-GGF 16 YEL
- 7-DY 16 WHT
- 8-
- 9-



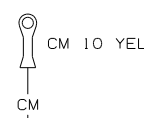
CONNECTS TO WIRE ASM-RIGHT (SHT 2, A-21) (LOCATED BELOW RANGE)



- 1-CM 10 YEL
- 2-CP 12 WHT
- 3-GGD 16 YEL
- 4-DU 16 YEL
- 5-DR 16 YEL
- 6-GGF 16 YEL
- 7-GGE 16 YEL
- 8-AG 12 YEL
- 9-CN 10 WHT
- 10-JA 12 YEL
- 11-DS 16 WHT
- 12-AF 12 YEL



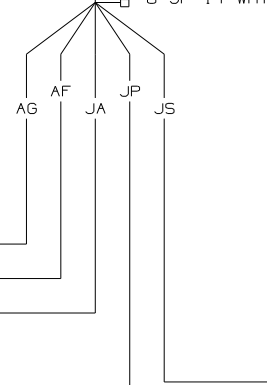
CONNECTS TO CIRCUIT BREAKER INVERTER (SHT 1, D-4)



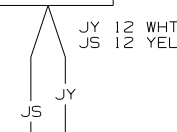
CONNECTS TO EXTERIOR WATER PUMP SWITCH



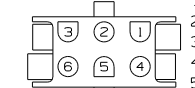
- 1-AG 12 YEL
- 2-JA 12 YEL
- 3-AF 12 YEL
- 4-
- 5-
- 6-
- 7-JS 14 YEL
- 8-JP 14 WHT



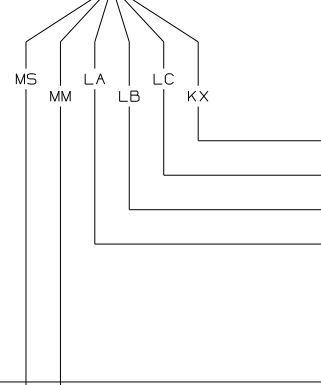
WATER PUMP



CONNECTS TO WIRE ASM-SIDEWALL (SHT 4, A-7) (LOCATED BELOW DINETTE SEAT)

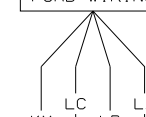


- 1-MM 14 YEL
- 2-MS 14 WHT
- 3-LC 16 WHT
- 4-LA 16 YEL
- 5-LB 16 WHT
- 6-KX 16 YEL



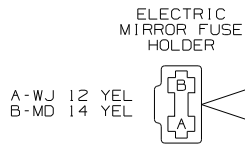
RED/WHT-KX 16 YEL
DK BLU/WHT-LA 16 YEL
GRN/WHT-LC 16 WHT
YEL/RED-LB 16 WHT

CONNECTS TO FORD WIRING



CONNECTS TO FORD WIRING

ORG-WJ 12 YEL



CONNECTS TO ELECTRIC MIRROR (GRN/YEL)



2

2

2

2

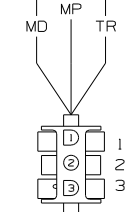
JS

GND

MS

- 7 TRIANGLES: CIRCUITS ARE FROM WIRE ASM-CHASSIS.
- 6 TRIANGLES: NOT USED IN 331C & T
- 5 TRIANGLES: SEE WIRING DIAGRAM-AUTO FOR ADDITIONAL INFORMATION.
- 4 TRIANGLES: SEE MANUFACTURERS DIAGRAM FOR ADDITIONAL INFORMATION.
- 3 TRIANGLES: GROUNDS ARE SHOWN AS A SINGLE LINE FOR EASE IN TRACING. EACH GROUND CIRCUIT IS SEPERATE IN THE HARNESS.
- 2 SQUARES: NOT A SPLICE POINT. INDICATES ENTRY INTO WIRING HARNESS.

NOTES:
1. SPLICES ARE THEORETICAL AND MAY DIFFER IN THE HARNESS.

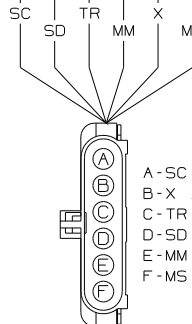


CONNECTS TO REAR VIEW MONITOR

- 1-TR 14 YEL
- 2-MP 16 WHT
- 3-MD 14 YEL

CONNECTS TO FORD WIRING

- BLK/PNK-TR 14 YEL
- LT GRN/ORG-SD 14 YEL
- ORG/LT BLU-SC 14 YEL

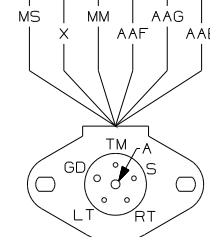
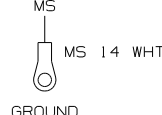


CONNECTS TO WIRE ASM-BACKWALL

- A-SC 14 YEL
- B-X 14 YEL
- C-TR 14 YEL
- D-SD 14 YEL
- E-MM 14 YEL
- F-MS 14 WHT

CONNECTS TO FORD WIRING

- ORG-X 14 YEL

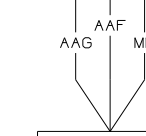


CONNECTS TO TRAILER HITCH ASM

- GD-MS 14 WHT
- TM-MM 14 YEL
- S-X 14 YEL
- RT-AAG 14 YEL
- LT-AAF 14 YEL
- A-AAE 14 YEL

CONNECTS TO FORD WIRING

- BLK/LT GRN-AAE 14 YEL



CONNECTS TO FORD WIRING

- YEL-AAF 14 YEL
- DK GRN-AAAG 14 YEL
- BRN/WHT-MM 14 YEL

CONNECTS TO WIRE ASM- EXTENSION, 2 PIN (SHT 6, C-8) (LOCATED IN LOWER WARDROBE CABT)

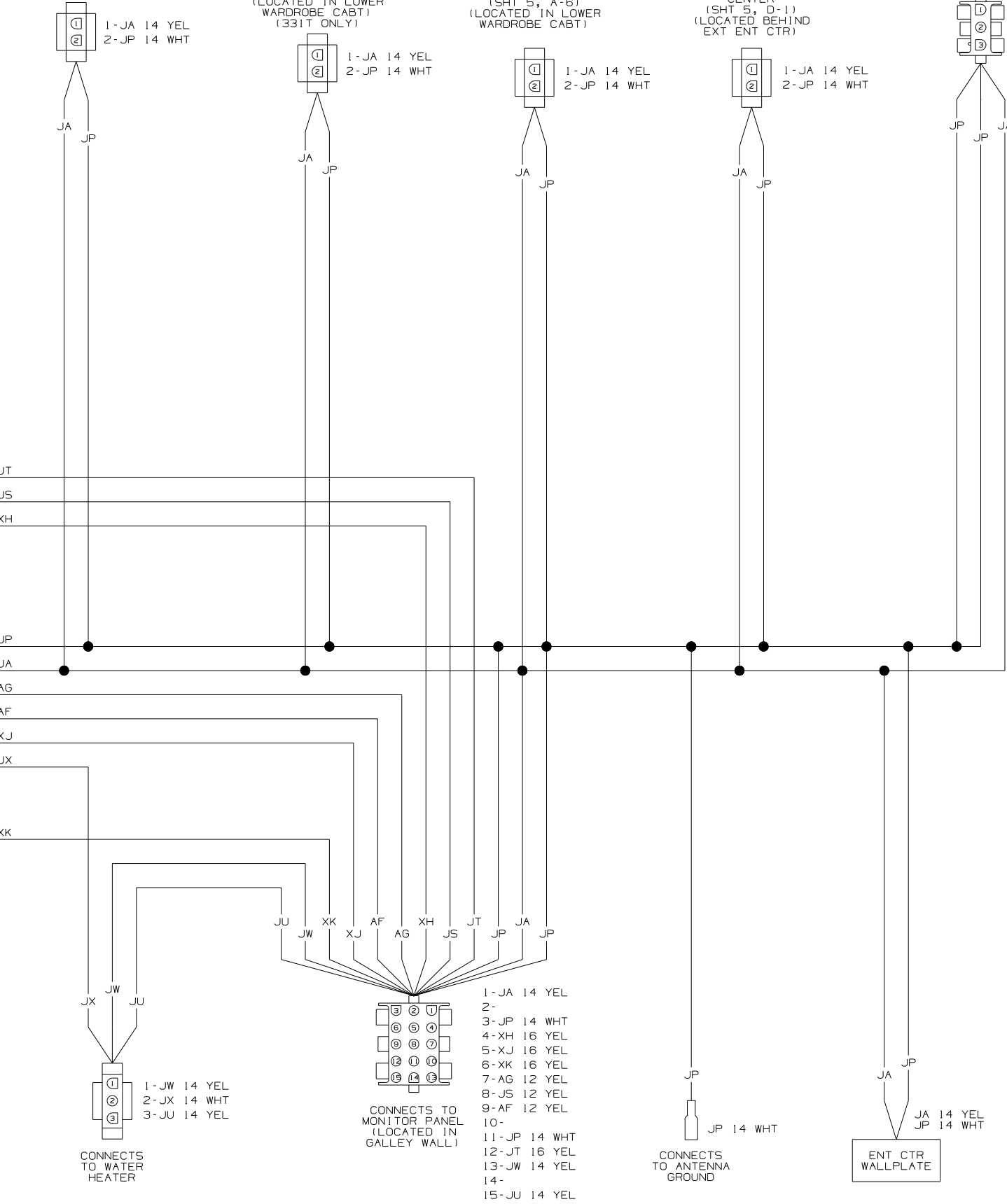
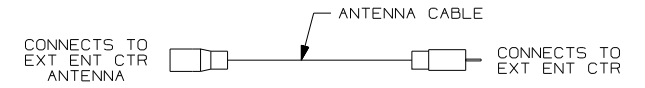
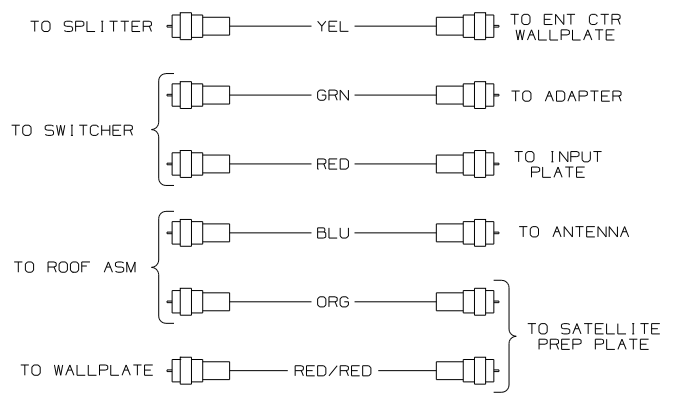
CONNECTS TO WIRE ASM- ROOF, CENTER (SHT 5, D-8) (LOCATED IN LOWER WARDROBE CABT) (331T ONLY)

CONNECTS TO WIRE ASM- SIDEWALL (SHT 5, A-6) (LOCATED IN LOWER WARDROBE CABT)

CONNECTS TO WIRE ASM- ENTERTAINMENT CENTER (SHT 5, D-1) (LOCATED BEHIND EXT ENT CTR)

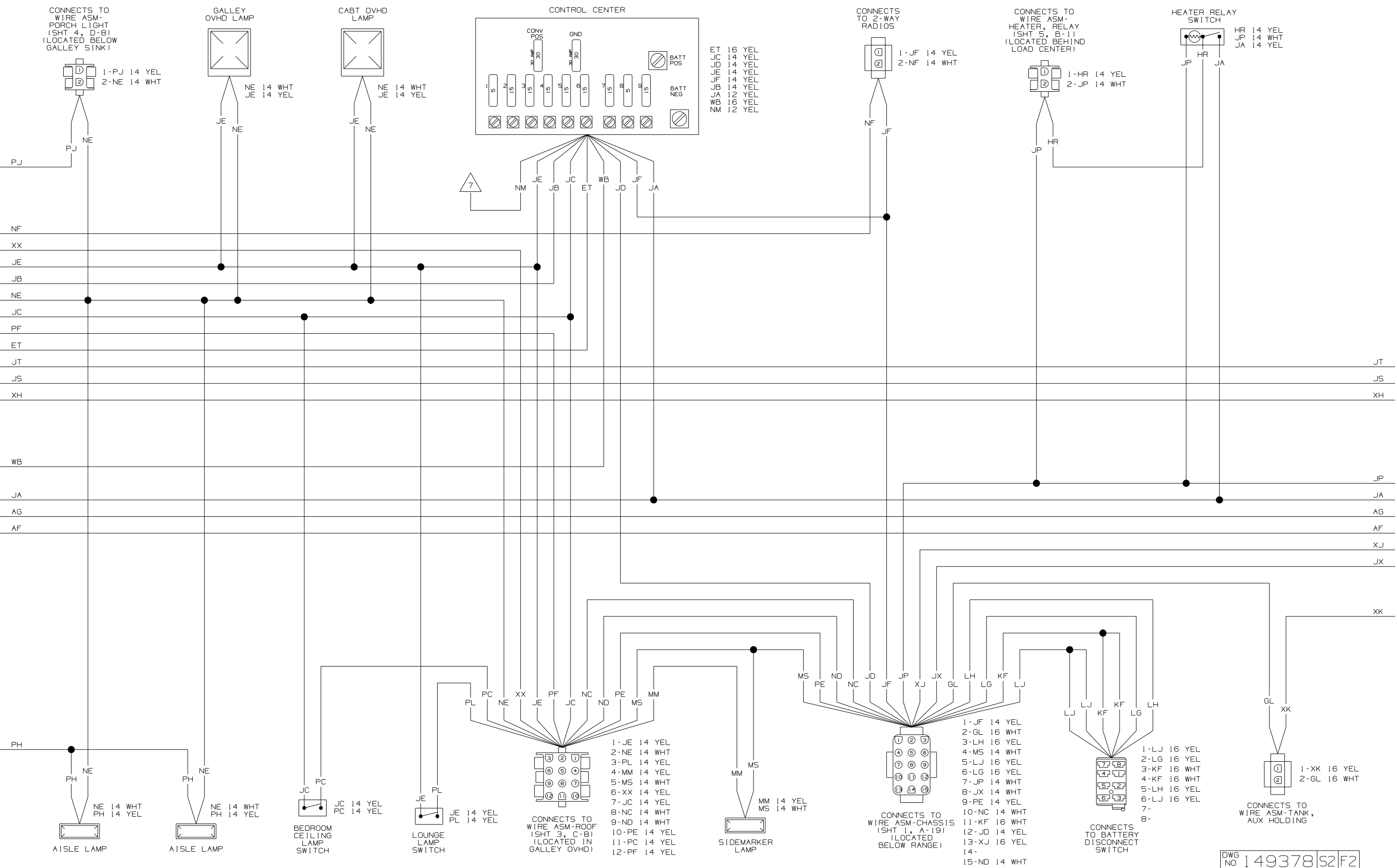
CONNECTS TO RANGE HOOD

1-JA 14 YEL
2-JP 14 WHT
3-JP 14 WHT

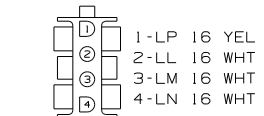


WIRING DIAGRAM-RIGHT (WIRE ASM 149834 REV-F)

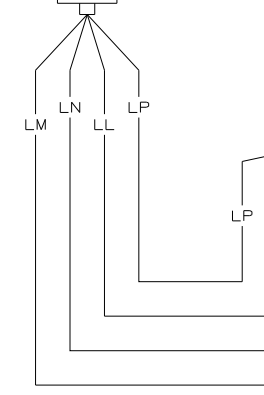
FIRST USED	05 331C&T	
DO NOT SCALE DRAWING		
TITLE	WIRING DIAGRAM-BODY, 12V	
SHEET 2	PART NO	149378



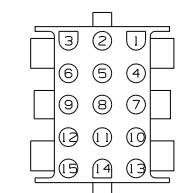
CONNECTS TO MONITOR PANEL (LOCATED IN GALLEY WALL)



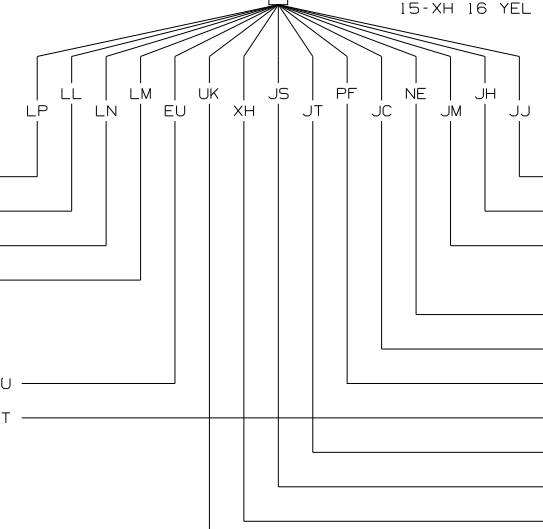
- 1-LP 16 YEL
- 2-LL 16 WHT
- 3-LM 16 WHT
- 4-LN 16 WHT



CONNECTS TO WIRE ASM-CHASSIS (SHT 1, D-18) (LOCATED BELOW RANGE)



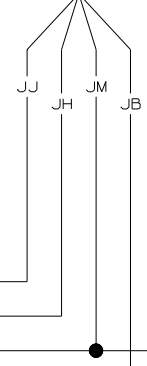
- 1-LP 16 YEL
- 2-LL 16 WHT
- 3-LM 16 WHT
- 4-LN 16 WHT
- 5-JT 16 YEL
- 6-JJ 14 YEL
- 7-JM 14 WHT
- 8-JH 14 YEL
- 9-NE 14 WHT
- 10-JC 14 YEL
- 11-EU 16 WHT
- 12-UK 16 WHT
- 13-PF 14 YEL
- 14-JS 12 YEL
- 15-XH 16 YEL



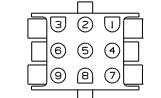
CONNECTS TO FURNACE



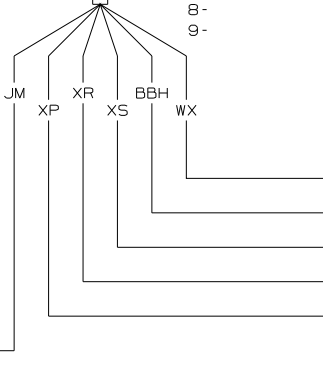
- 1-JM 14 WHT
- 2-JJ 14 YEL
- 3-JB 14 YEL
- 4-JH 14 YEL



CONNECTS TO WIRE ASM-ROOF (SHT 3, D-8) (LOCATED IN GALLEY OVHD)



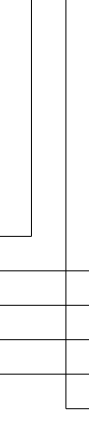
- 1-JM 14 WHT
- 2-XP 16 YEL
- 3-XR 16 YEL
- 4-XS 16 YEL
- 5-
- 6-WX 14 YEL
- 7-BBH 16 YEL
- 8-
- 9-



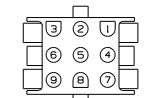
HALL LAMP SWITCH



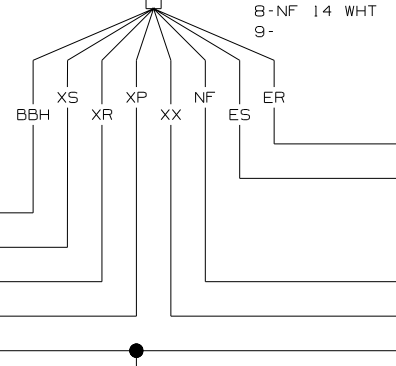
- JE 14 YEL
- WX 14 YEL



CONNECTS TO WIRE ASM-CHASSIS (SHT 1, D-23) (LOCATED BELOW RANGE)



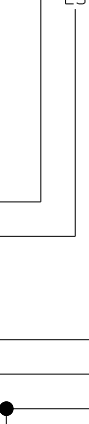
- 1-XP 16 YEL
- 2-XR 16 YEL
- 3-XS 16 YEL
- 4-XX 14 YEL
- 5-ER 16 YEL
- 6-ES 16 YEL
- 7-BBH 16 YEL
- 8-NF 14 WHT
- 9-



ELECTRIC STEP KILL SWITCH



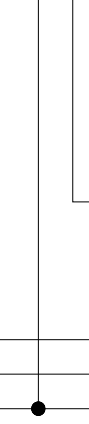
- ES 16 YEL
- ER 16 YEL



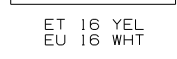
PORCH LAMP SWITCH



- JE 14 YEL
- PJ 14 YEL



REFRIGERATOR



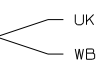
- EU 16 YEL
- ET 16 WHT



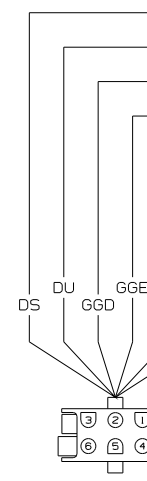
CONNECTS TO LP DETECTOR



- 1-UK 16 WHT
- 2-
- 3-WB 16 YEL



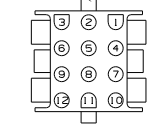
- 7 WIRE IS FROM WIRE ASM-HEATER, RELAY (SHT 5, B-5).
 - 6 SEE WIRING DIAGRAM-HEATER, RELAY FOR ADDITIONAL INFORMATION.
 - 5 SEE WIRING DIAGRAM-AUTO FOR ADDITIONAL INFORMATION.
 - 4 SEE MANUFACTURERS DIAGRAM FOR ADDITIONAL INFORMATION.
 - 3 GROUNDS ARE SHOWN AS A SINGLE LINE FOR EASE IN TRACING. EACH GROUND CIRCUIT IS SEPERATE IN THE HARNESS.
 - 2 NOT A SPLICE POINT. INDICATES ENTRY INTO WIRING HARNESS.
- NOTES:
1. SPLICES ARE THEORETICAL AND MAY DIFFER IN THE HARNESS.



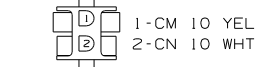
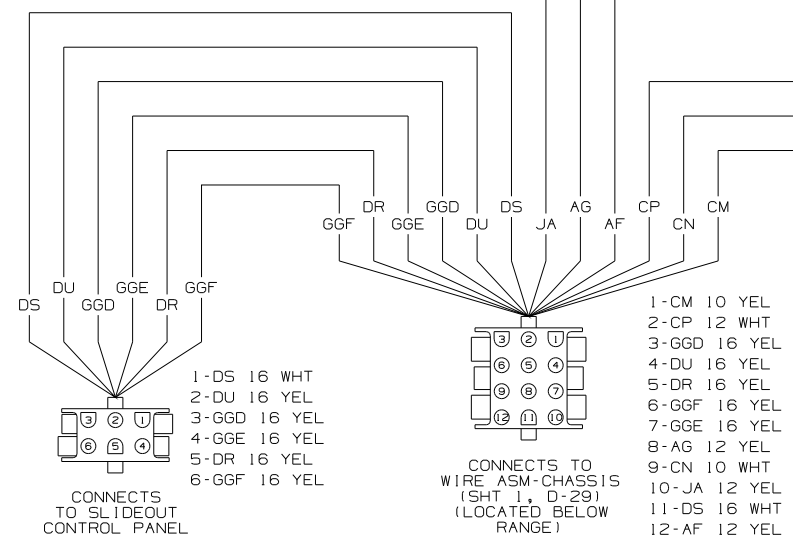
- 1-DS 16 WHT
- 2-DU 16 YEL
- 3-GGD 16 YEL
- 4-GGE 16 YEL
- 5-DR 16 YEL
- 6-GGF 16 YEL

CONNECTS TO SLIDEOUT CONTROL PANEL

CONNECTS TO WIRE ASM-CHASSIS (SHT 1, D-29) (LOCATED BELOW RANGE)

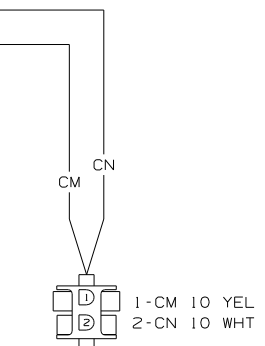


- 1-CM 10 YEL
- 2-CP 12 WHT
- 3-GGD 16 YEL
- 4-DU 16 YEL
- 5-DR 16 YEL
- 6-GGF 16 YEL
- 7-GGE 16 YEL
- 8-AG 12 YEL
- 9-CN 10 WHT
- 10-JA 12 YEL
- 11-DS 16 WHT
- 12-AF 12 YEL



CONNECTS TO INVERTER OR WIRE ASM-TV, FRONT (SHT 6, B-3)

- 1-CM 10 YEL
- 2-CN 10 WHT

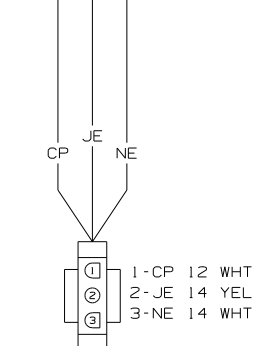
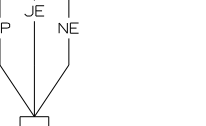


INVERTER GROUND

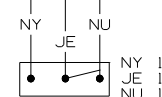


CONNECTS TO WIRE ASM-TV, FRONT (SHT 6, B-8)

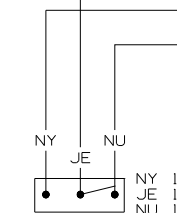
- 1-CP 12 WHT
- 2-JE 14 YEL
- 3-NE 14 WHT



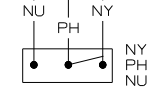
AISLE LAMP SWITCH



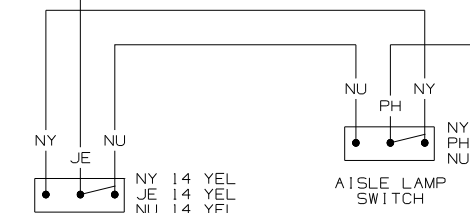
- NY 14 YEL
- JE 14 YEL
- NU 14 YEL

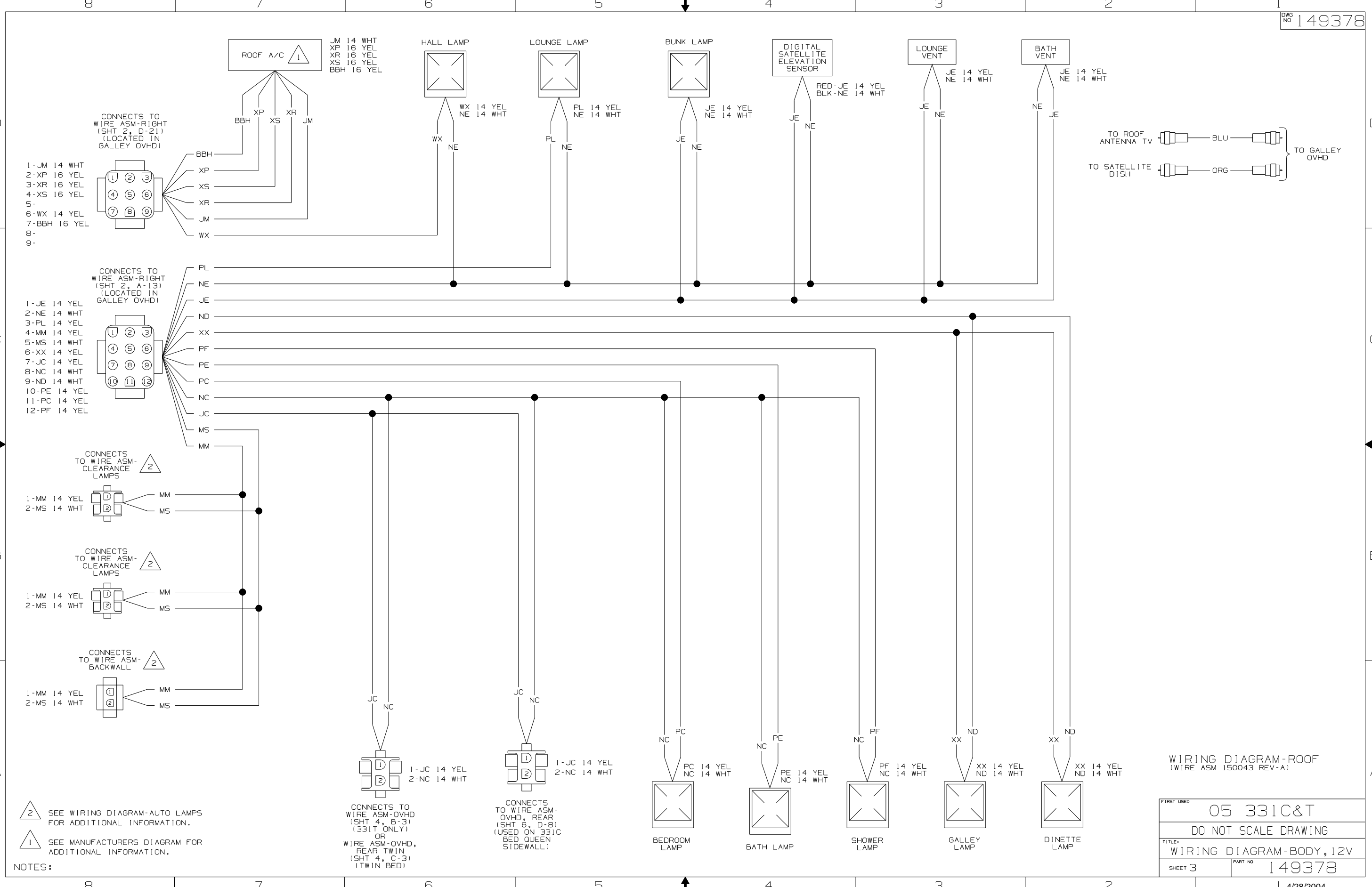


AISLE LAMP SWITCH



- NY 14 YEL
- PH 14 YEL
- NU 14 YEL





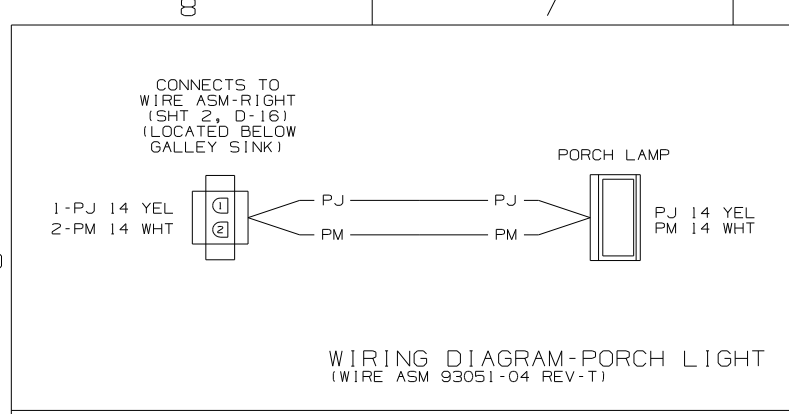
NOTES:

2 SEE WIRING DIAGRAM-AUTO LAMPS FOR ADDITIONAL INFORMATION.

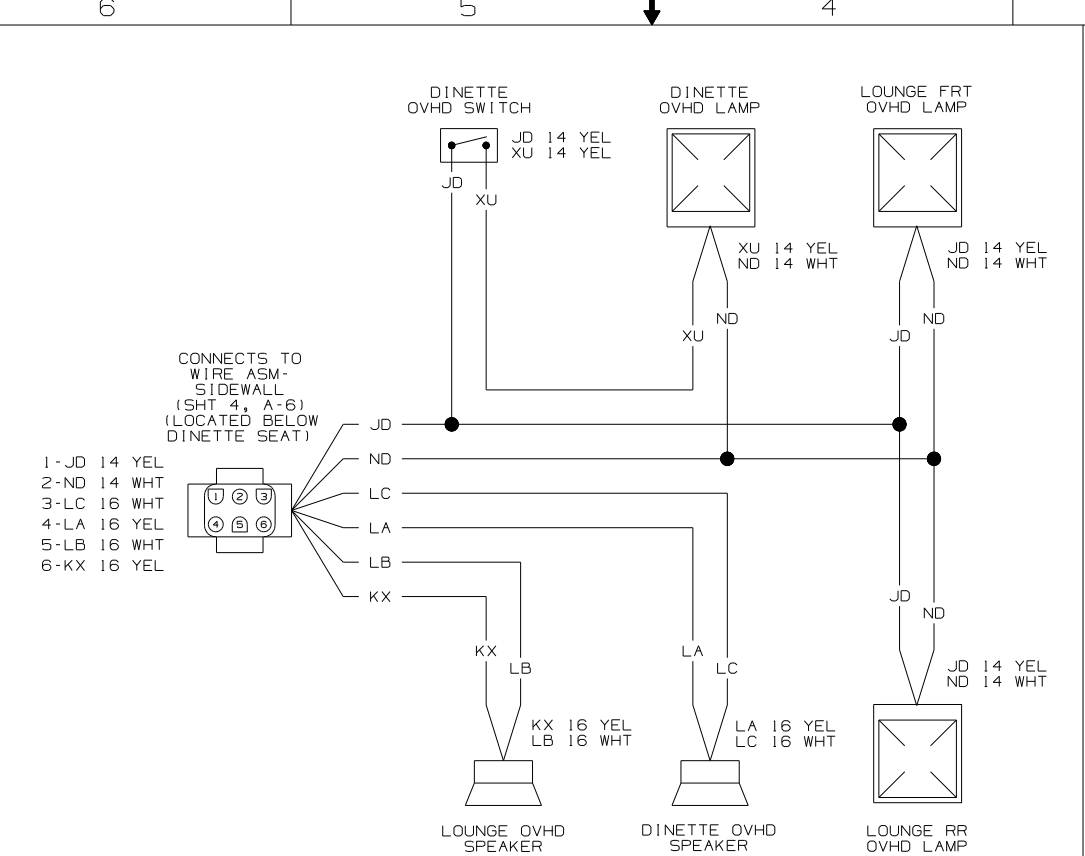
1 SEE MANUFACTURERS DIAGRAM FOR ADDITIONAL INFORMATION.

CONNECTS TO WIRE ASM-OVHD (SHT 4, B-3) (331T ONLY) OR WIRE ASM-OVHD, REAR TWIN (SHT 4, C-3) (TWIN BED)

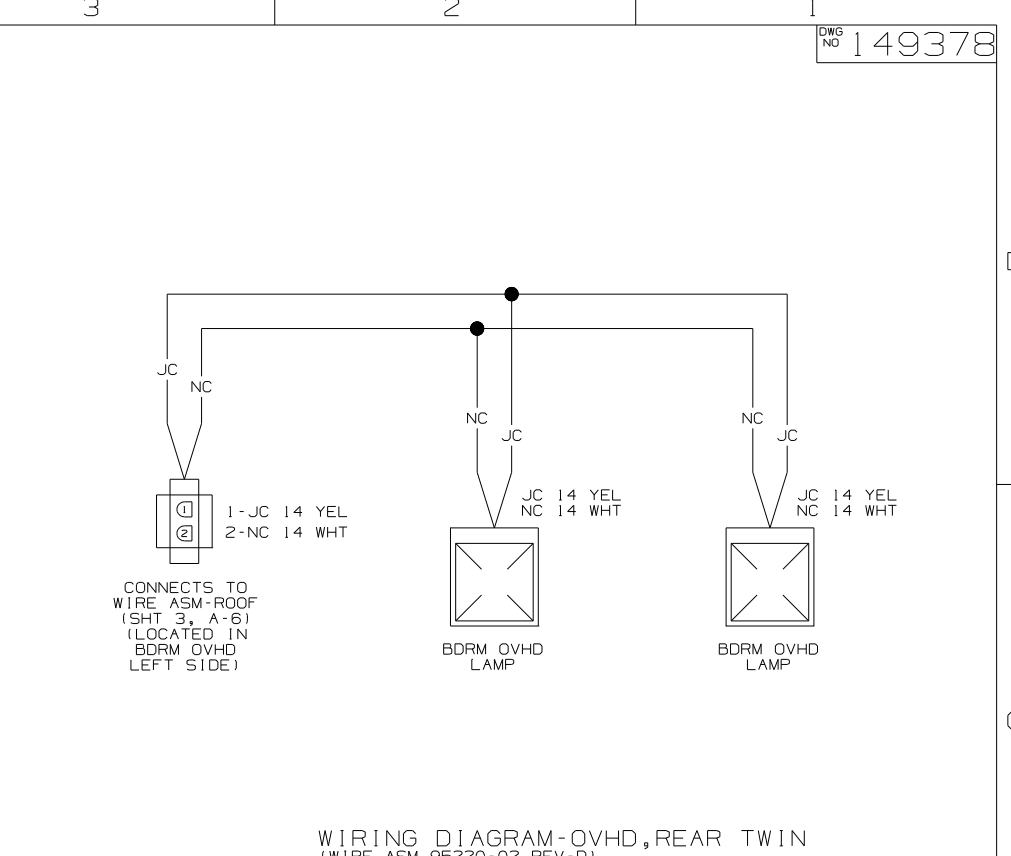
FIRST USED	05 331C&T
DO NOT SCALE DRAWING	
TITLE:	WIRING DIAGRAM-BODY, 12V
SHEET 3	PART NO 149378



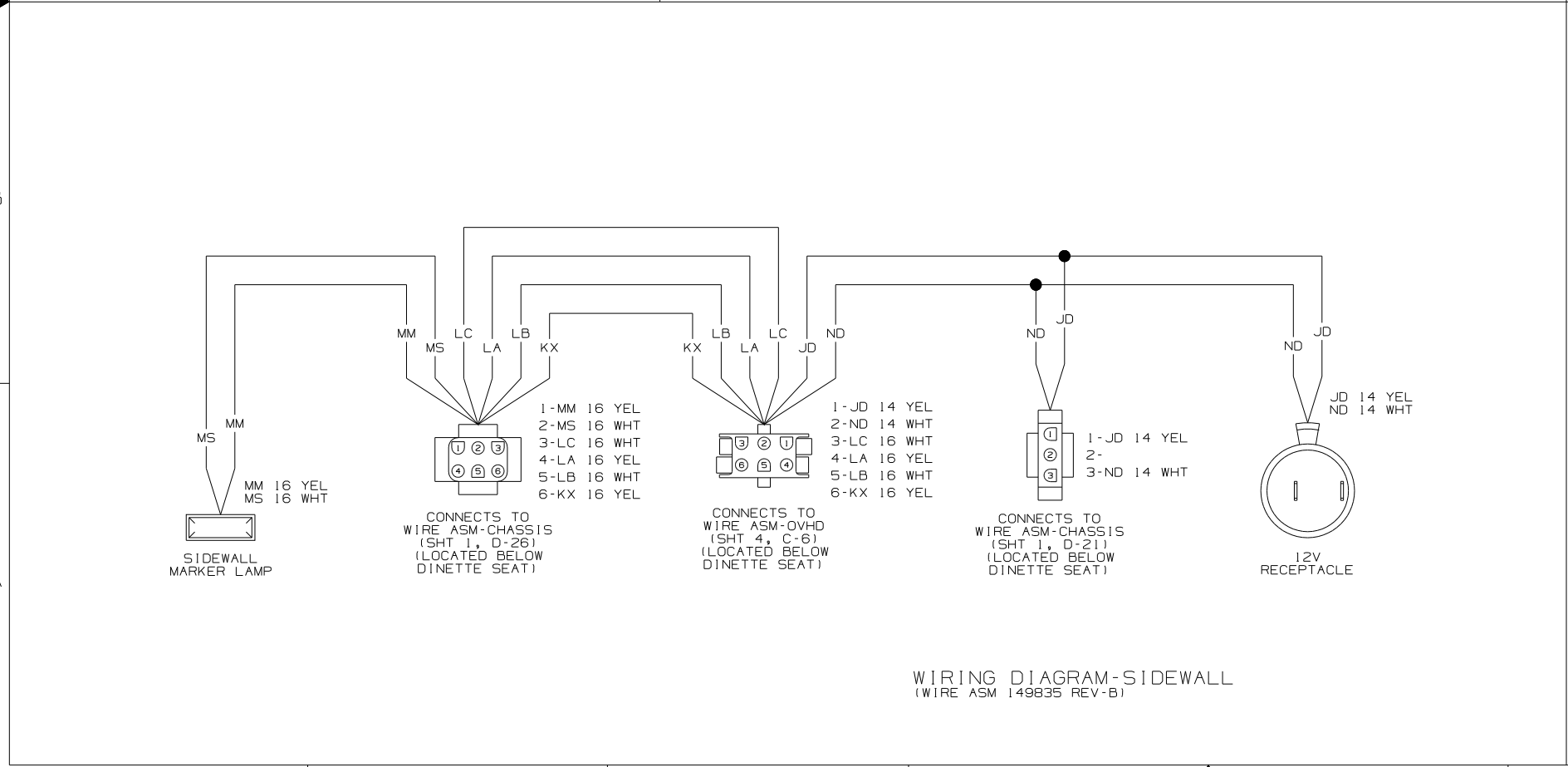
WIRING DIAGRAM-PORCH LIGHT
(WIRE ASM 93051-04 REV-T)



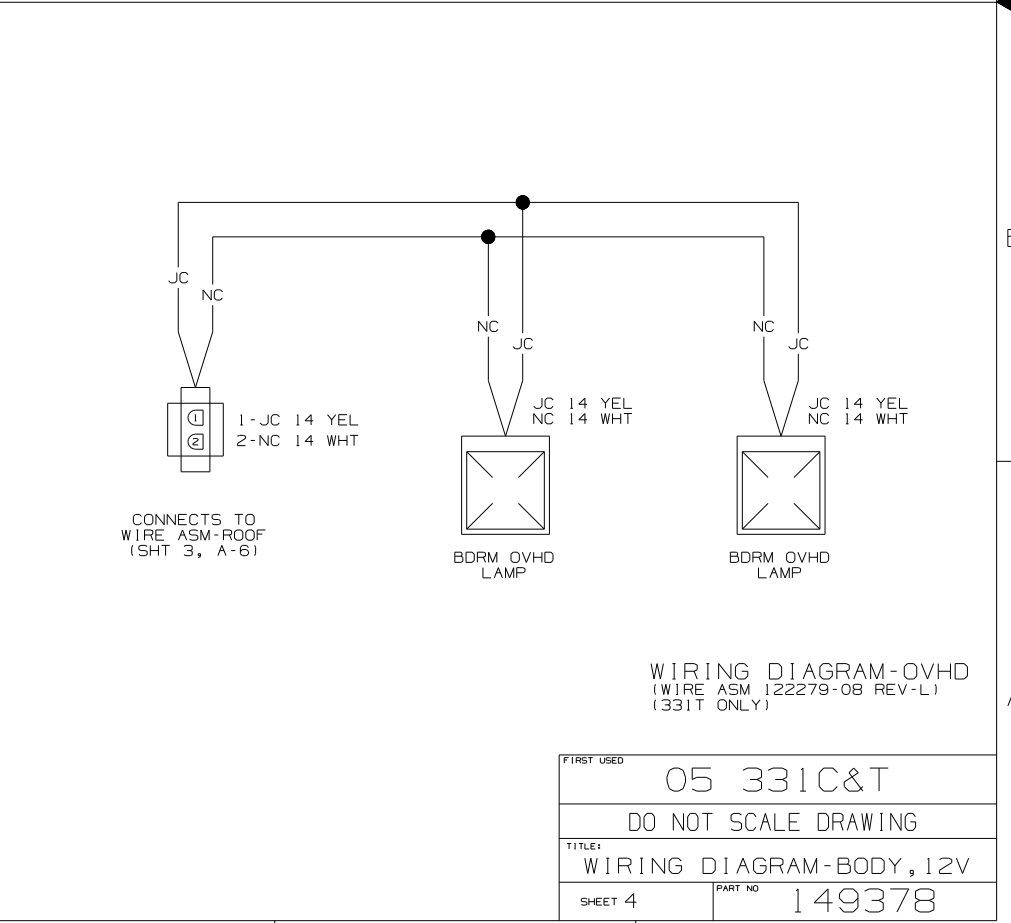
WIRING DIAGRAM-OVHD
(WIRE ASM 149836 REV-B)



WIRING DIAGRAM-OVHD, REAR TWIN
(WIRE ASM 95220-02 REV-D)
(USED ON 331C/T TWIN BED ONLY)

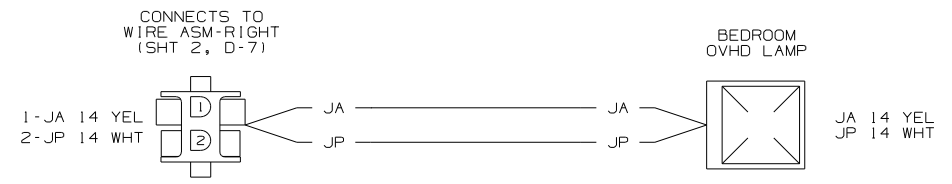


WIRING DIAGRAM-SIDEWALL
(WIRE ASM 149835 REV-B)

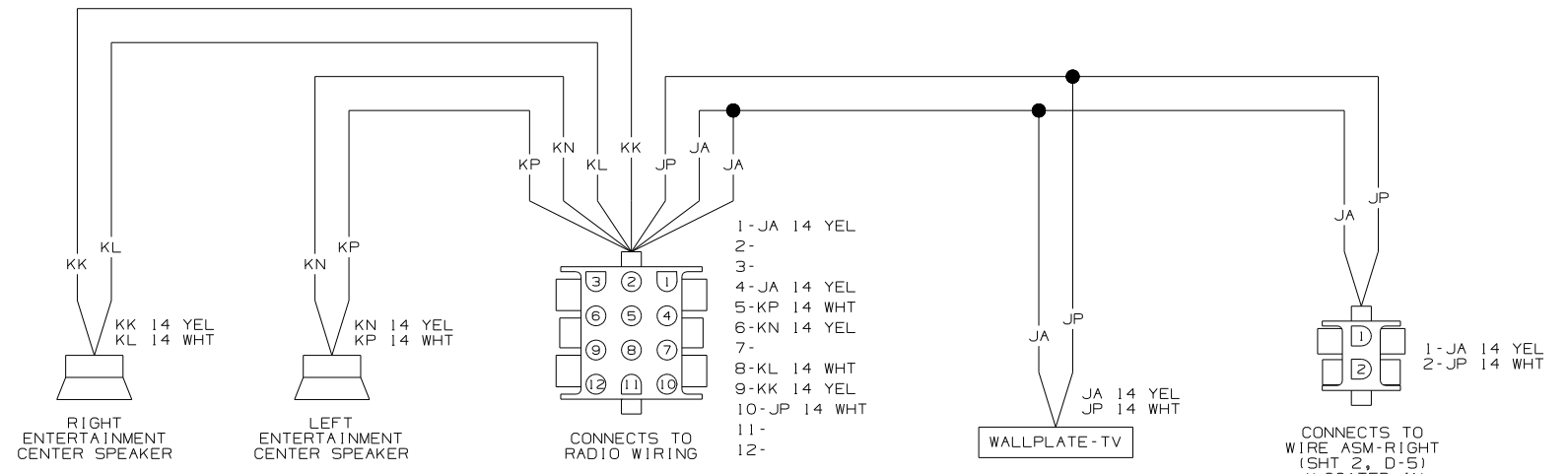


WIRING DIAGRAM-OVHD
(WIRE ASM 122279-08 REV-L)
(331T ONLY)

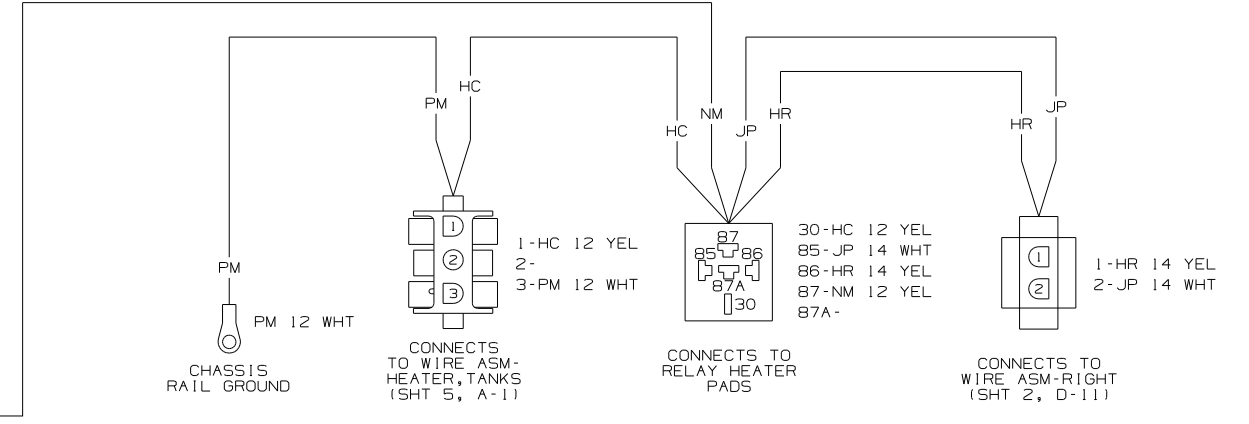
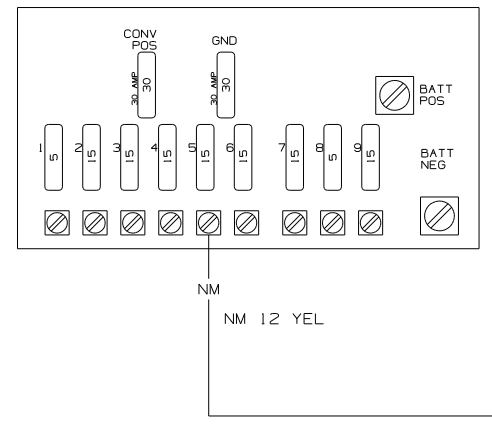
FIRST USED	05 331C&T
TITLE	DO NOT SCALE DRAWING
SHEET 4	WIRING DIAGRAM-BODY, 12V
PART NO	149378



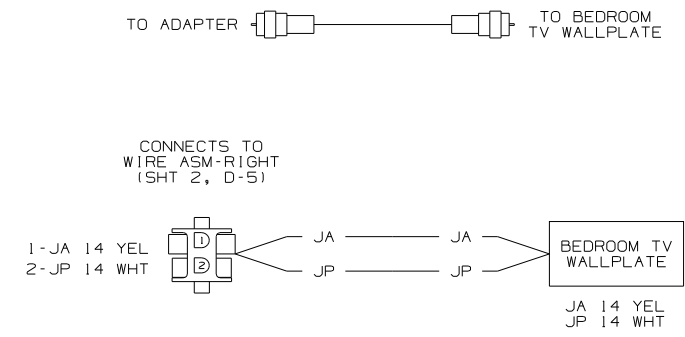
WIRING DIAGRAM-ROOF, CENTER
(WIRE ASM 77093-16 REV-AG)
(331T ONLY)



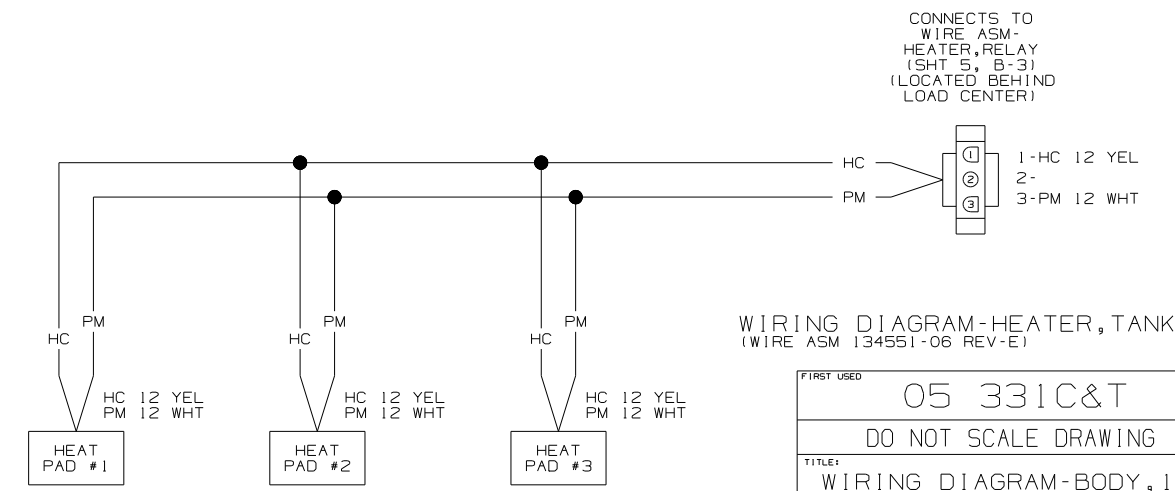
WIRING DIAGRAM-ENTERTAINMENT CTR
(WIRE ASM 125853-04 REV-L)



WIRING DIAGRAM-HEATER, RELAY
(WIRE ASM 134550 REV-A)

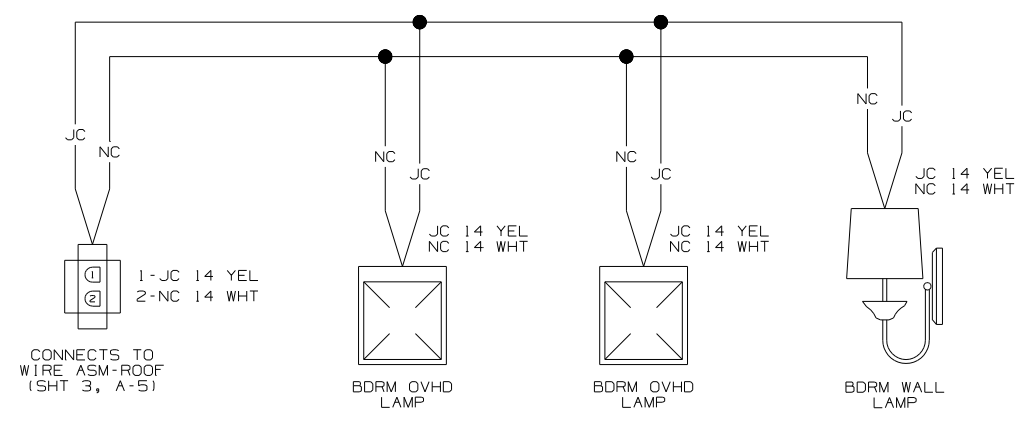


WIRING DIAGRAM-SIDEWALL
(WIRE ASM 111451-04 REV-N)
(USED WITH 331T BED QUEEN SIDEWALL)
(WIRE ASM 111451-08 REV-N)
(USED WITH 331C/T TWIN BED)
(WIRE ASM 111451-09 REV-N)
(USED WITH 331C BED QUEEN BACKWALL)

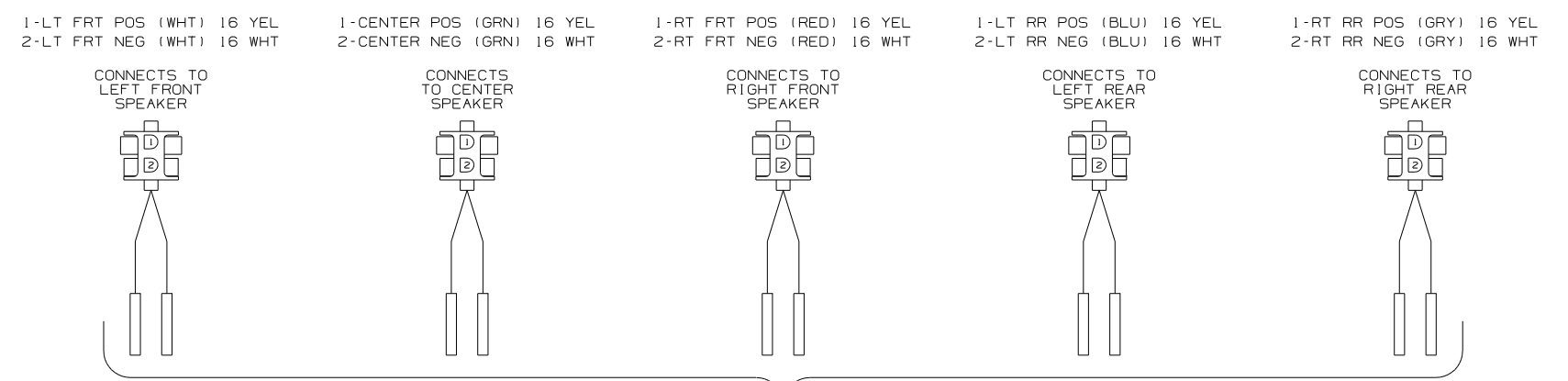


WIRING DIAGRAM-HEATER, TANKS
(WIRE ASM 134551-06 REV-E)

FIRST USED	05 331C&T
TITLE	DO NOT SCALE DRAWING
TITLE	WIRING DIAGRAM-BODY, 12V
SHEET 5	PART NO 149378

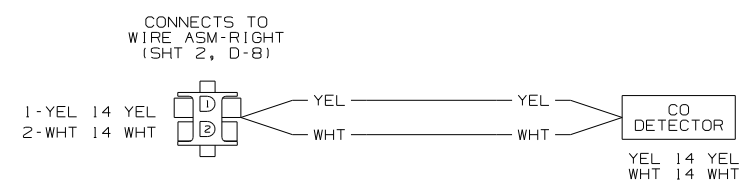


WIRING DIAGRAM-OVHD, REAR
(WIRE ASM 127873-03 REV-E)
(331C ONLY)

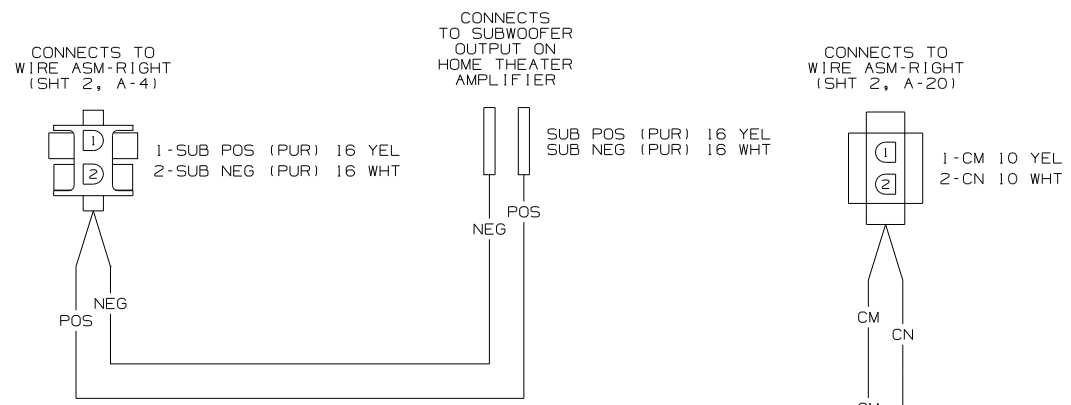
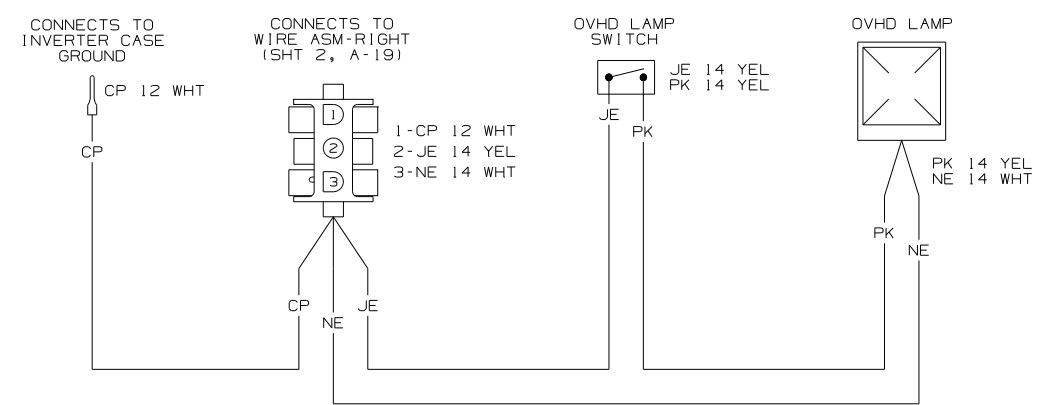


- RT FRT POS (RED) 16 YEL
- RT FRT NEG (RED) 16 WHT
- CENTER POS (GRN) 16 YEL
- CENTER NEG (GRN) 16 WHT
- LT FRT POS (WHT) 16 YEL
- LT FRT NEG (WHT) 16 WHT
- LT RR POS (BLU) 16 YEL
- LT RR NEG (BLU) 16 WHT
- RT RR POS (GRY) 16 YEL
- RT RR NEG (GRY) 16 WHT

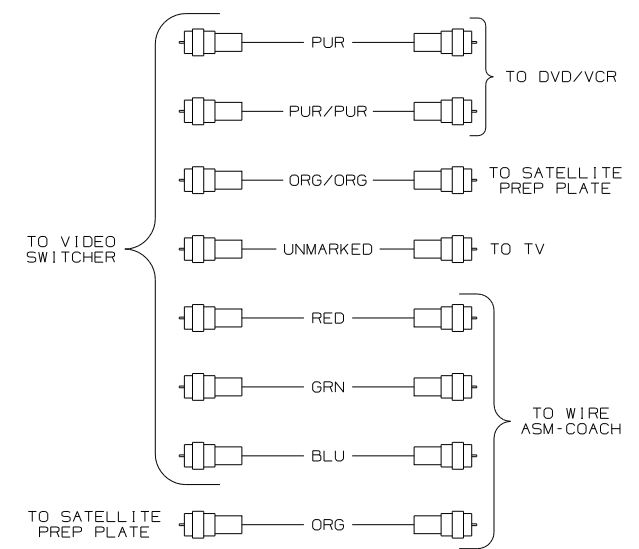
WIRING DIAGRAM-HOME THEATER EXTENSION
(WIRE ASM 148883-03 REV-H)



WIRING DIAGRAM-EXTENSION, 2 PIN
(WIRE ASM 149130 REV-B)



WIRING DIAGRAM-TV, FRONT
(WIRE ASM 148752-01 REV-D)



FIRST USED	05 331C&T
TITLE	DO NOT SCALE DRAWING
TITLE	WIRING DIAGRAM-BODY, 12V
SHEET 6	PART NO 149378