



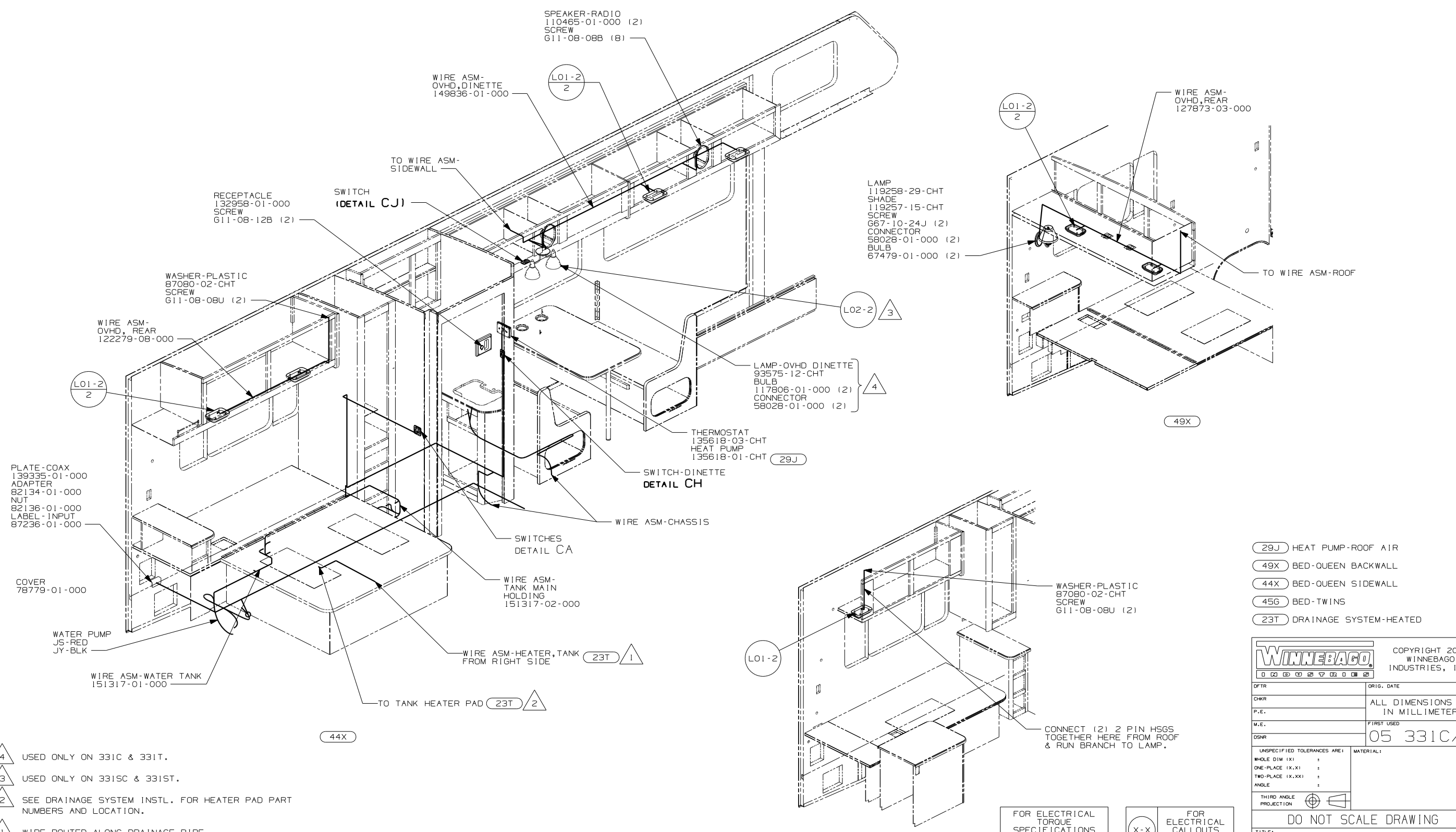
DANGER

Danger of electrical shock, burns or death. Always remove all power sources before attempting any repair, service or diagnostic work. Power can be present from shore power, generator, inverter or battery. All power sources must be disabled and secured before performing any service.



CAUTION

If you lack the skills, tools or equipment to perform diagnostic or repair work leave such work to an authorized Winnebago Industries dealer or other qualified shop.



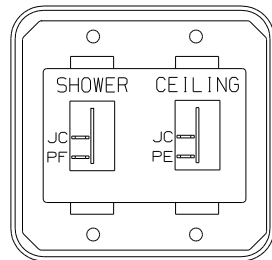
- NOTES:
- 4 USED ONLY ON 331C & 331T.
 - 3 USED ONLY ON 331SC & 331ST.
 - 2 SEE DRAINAGE SYSTEM INSTL. FOR HEATER PAD PART NUMBERS AND LOCATION.
 - 1 WIRE ROUTED ALONG DRAINAGE PIPE.

- 29J HEAT PUMP-ROOF AIR
- 49X BED-QUEEN BACKWALL
- 44X BED-QUEEN SIDEWALL
- 45G BED-TWINS
- 23T DRAINAGE SYSTEM-HEATED

WINNEBAGO		COPYRIGHT 2004 WINNEBAGO INDUSTRIES, INC.	
DFTR	ORIG. DATE		
CHKR	ALL DIMENSIONS ARE IN MILLIMETERS		
P.E.	FIRST USED	05 331C/T	
M.E.			
DSNR			
UNSPECIFIED TOLERANCES ARE:		MATERIAL:	
WHOLE DIM (X)	:		
ONE-PLACE (X.X)	:		
TWO-PLACE (X.XX)	:		
ANGLE	:		
THIRD ANGLE PROJECTION			
DO NOT SCALE DRAWING			
TITLE: WIRING INST-BODY, 12V			
SHEET 1 OF 7	PART NO	149376	

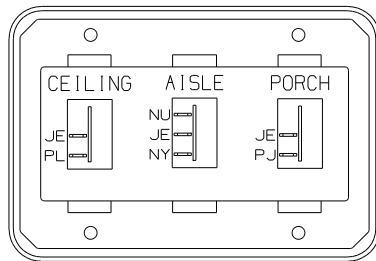
FOR ELECTRICAL
TORQUE
SPECIFICATIONS
SEE DWG NO.
128783-01-000

(X-X) FOR
ELECTRICAL
CALLOUTS
SEE DWG NO.
121339-01-000

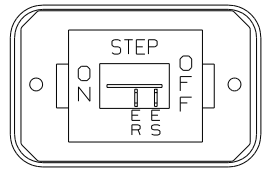


DETAIL CA

SWITCH-ROCKER
135740-01-CHT (2)
SWITCH-BASE
135741-02-CHT
SWITCH-BEZEL
135742-15-CHT
SCREW
G11-08-08U (4)



SWITCH-ROCKER
135740-01-CHT (2)
135740-02-CHT
SWITCH-BASE
135741-03-CHT
SWITCH-BEZEL
135742-26-CHT
SCREW
G11-08-08U (4)



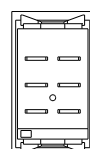
DETAIL CB

SWITCH-ROCKER
135740-01-CHT
SWITCH-BASE
135741-01-CHT
SWITCH-BEZEL
135742-11-CHT
SCREW
G11-08-08U (2)



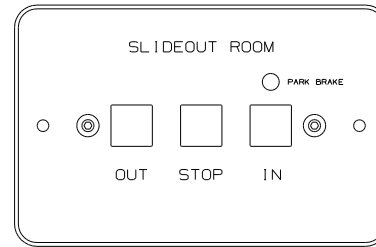
(FRONT SIDE)

SWITCH-BATTERY, DISC
108357-06-000
ACTUATOR-SWITCH
108356-11-CHT



(BACK SIDE)
DETAIL CC

PLATE-SWITCH
98351-07-CHT
SCREW
G11-06-10U (6)

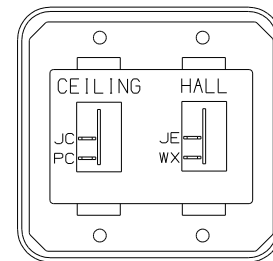


DETAIL CD

SWITCH ASM-KWIKEE
138173-04-000

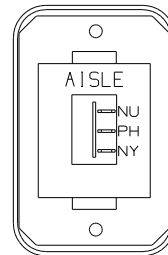
LABEL
116549-01-000

WARNING
UNDERSTAND OPERATOR'S MANUAL BEFORE USING
KEEP PEOPLE AND OBJECTS CLEAR OF
SLIDEOUT ROOM WHEN OPERATING TO AVOID
INJURY AND/OR PROPERTY DAMAGE



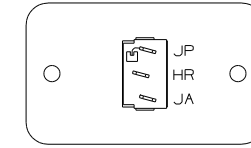
DETAIL CE

SWITCH-ROCKER
135740-01-CHT (2)
SWITCH-BASE
135741-02-CHT
SWITCH-BEZEL
135742-16-CHT
SCREW
G11-08-08U (4)

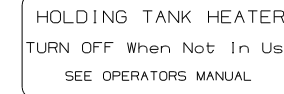


DETAIL CF

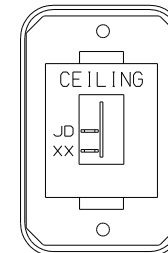
SWITCH-ROCKER
135740-02-CHT
SWITCH-BASE
135741-01-CHT
SWITCH-BEZEL
135742-06-CHT
SCREW
G11-08-08U (2)



SWITCH-HEATER
89308-05-CHT
PLATE-SWITCH
98351-01-CHT
SCREW
G11-06-16J (2)
LABEL-SWITCH
134563-01-CHT

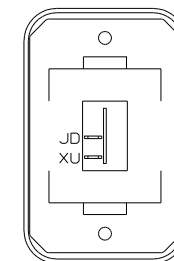


DETAIL CG (23T)



DETAIL CH

SWITCH-ROCKER
135740-01-CHT
SWITCH-BASE
135741-01-CHT
SWITCH-BEZEL
135742-07-CHT
SCREW
G11-08-08U (2)



DETAIL CJ

SWITCH-ROCKER
135740-01-CHT
SWITCH-BASE
135741-01-CHT
SWITCH-BEZEL
135742-01-CHT
SCREW
G11-08-08U (2)

- (42J) TV-24" COLOR, STEREO W/REMOTE
- (42M) TV-19" COLOR W/STEREO
- (23T) HEATED HOLDING TANKS-PACKAGE
- (1E2) ENTRANCE STEP-ELEC.

FOR ELECTRICAL
TORQUE
SPECIFICATIONS
SEE DWG NO.
128783-01-000

(X-X)
FOR
ELECTRICAL
CALLOUTS
SEE DWG NO.
121339-01-000

FIRST USED	05 331C/T
DO NOT SCALE DRAWING	
TITLE:	WIRING INST-BODY, 12V
SHEET 3	PART NO 149376

09L 644 SWITCH-SLIDEOUT LOCK WIRE ASM-JUMPER 150750-01-000
DETAIL DD

09L SWITCH
DETAIL CD

SWITCHES
DETAIL CB

50H RADIOS-TWO WAY DOCK STATION 141679-03-000
RADIO-TWO WAY 141679-04-000 (4)
SCREW 76790-01-000 (4)

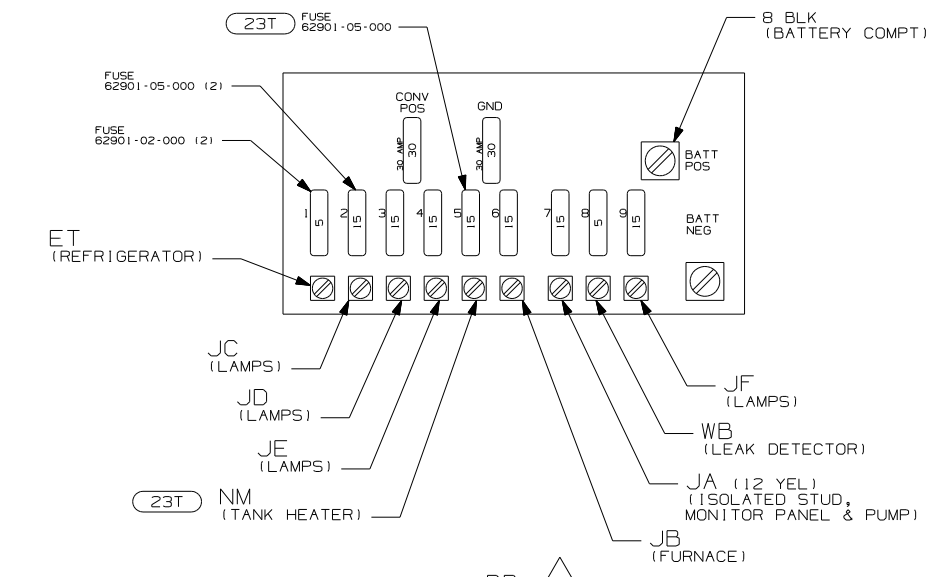
SWITCH
DETAIL CC

SWITCH
DETAIL CG

MONITOR PANEL 40N
134940-06-CHT
134940-07-CHT 1A3

ROUTE WIRES THRU HOLE
GROMMET 8386-01-000
SWITCH/MAGNET-STEP, ELECTRIC 116995-02-000
SCREW G11-06-08B (4)

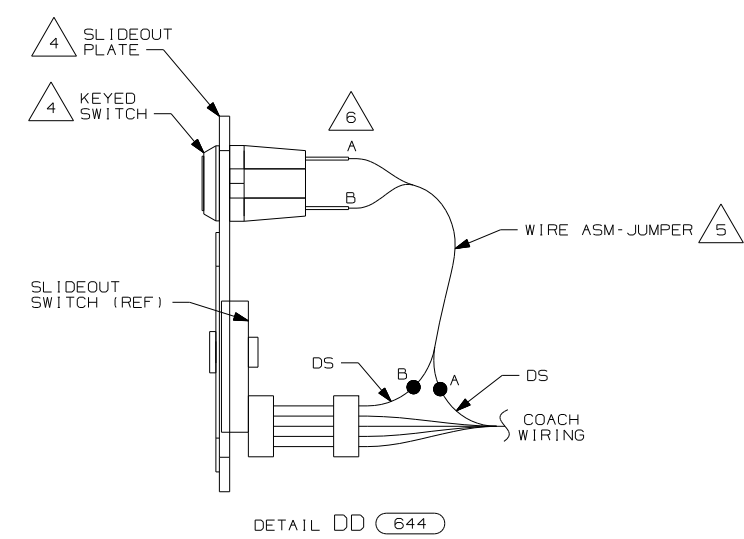
DETAIL DC 1E2



DETAIL DB 3

- 644 GREAT ALASKAN RENTAL PACKAGE
- 09L SLIDEOUT ROOM FRONT LEFT
- 50H RADIOS TWO-WAY (4)
- 40N GEN-4.0KW-ONANGAS-MICROQUIET
- 23T DRAINAGE SYSTEM-HEATED
- 1E2 ENTRANCE STEP-ELEC.
- 1A3 GENERATOR WITHOUT

FIRST USED	
05 331C/T	
DO NOT SCALE DRAWING	
TITLE: WIRING INSTL-BODY, 12V	
SHEET 4	PART NO 149376



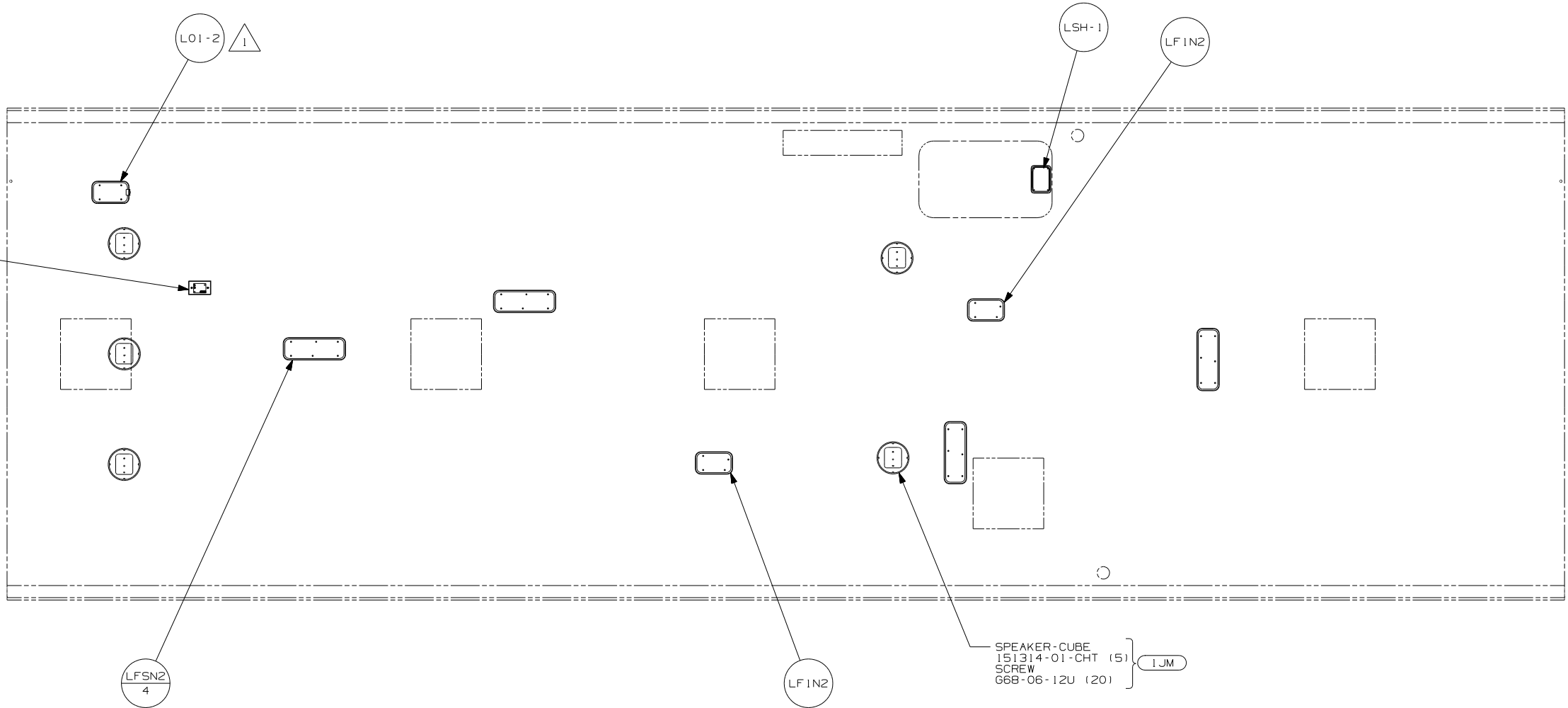
DETAIL DD 644

- NOTES:
- 6 REMOVE TERMINALS (SUPPLIED WITH KEY SWITCH), CRIMP ON TO WIRE ASM-JUMPER, AND RECONNECT TO KEY SWITCH.
 - 5 CUT CIRCUIT DS GOING TO SLIDEOUT SWITCH HOUSING AND RECONNECT AS SHOWN.
 - 4 SUPPLIED BY GREAT ALASKAN RENTAL COMPANY.
 - 3 SEE WIRING INSTL-BODY, 110V FOR ADDITIONAL INFORMATION.
 - 2 MOUNT MAGNET USING PILOT HOLES IN SCREEN DOOR FRAME MOUNT WITH MAGNET TOWARD SWITCH.
 - 1 MOUNT SWITCH AND SPACER TO BLOCK ON JAMB ADJUST HEIGHT TO MATCH MAGNET

FOR ELECTRICAL TORQUE SPECIFICATIONS SEE DWG NO. 128783-01-000

FOR ELECTRICAL CALLOUTS SEE DWG NO. 121339-01-000

SATELLITE ELEVATION SENSOR
DETAIL FB



NOT USED WITH 42J

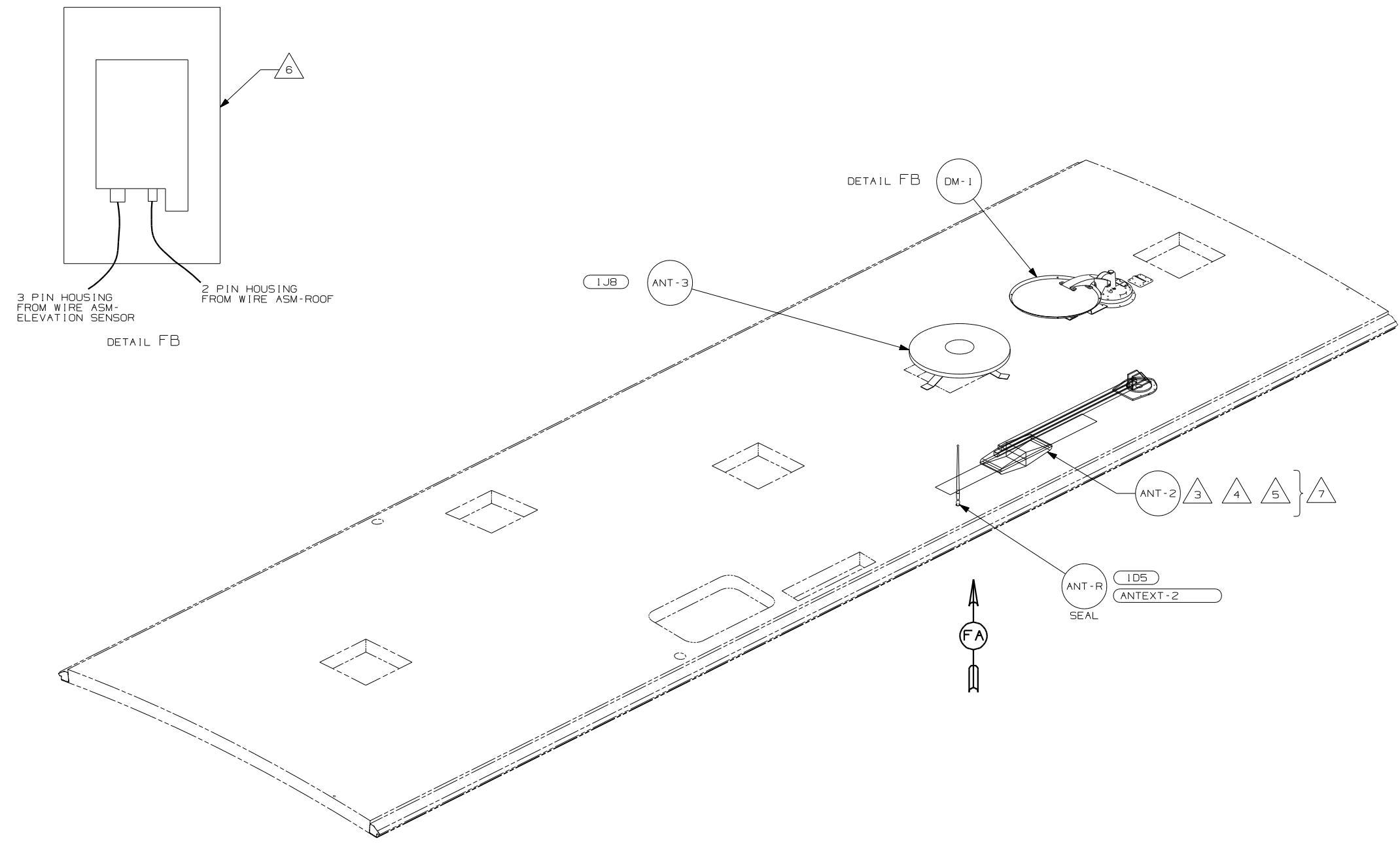
NOTES:

FOR ELECTRICAL TORQUE SPECIFICATIONS SEE DWG NO. 128783-01-000

FOR ELECTRICAL CALLOUTS SEE DWG NO. 121339-01-000

- 1JM HOME THEATER SOUND SYSTEM
- 42J TV-24" COLOR, STEREO W/REMOTE

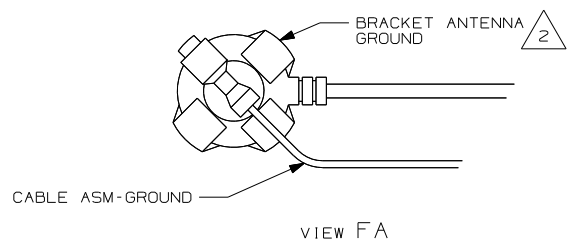
FIRST USED	05 331C/T
DO NOT SCALE DRAWING	
TITLE:	WIRING INST-BODY, 12V
SHEET 5	PART NO 149376



3 PIN HOUSING FROM WIRE ASM-ELEVATION SENSOR
 2 PIN HOUSING FROM WIRE ASM-ROOF
 DETAIL FB

DETAIL FB DM-1

ANT-R SEAL
 1D5 ANEXT-2



- 7 NOT USED WITH 1J8.
- 6 SENSOR SUPPLIED WITH SATELLITE ASSEMBLY.
- 5 ADD RUBBER BUMPER TO ROOF UNDER EACH END OF ANTENNA IN DOWN POSITION.
- 4 LOCATE CLAMP TO RETAIN CABLE BUT NOT TO RESTRICT ANTENNA TRAVEL.
- 3 SEE DRAWING 76319-01-000 FOR INSTALLATION OF TV ANTENNA.
- 2 WRAP BRACKET LEGS AROUND ANTENNA BASE.

1. CONNECTOR-PLUG, TRAILER 113589-01-000 TO BE SUPPLIED LOOSE IN COACH WITH TRAILER TOW PACKAGE.

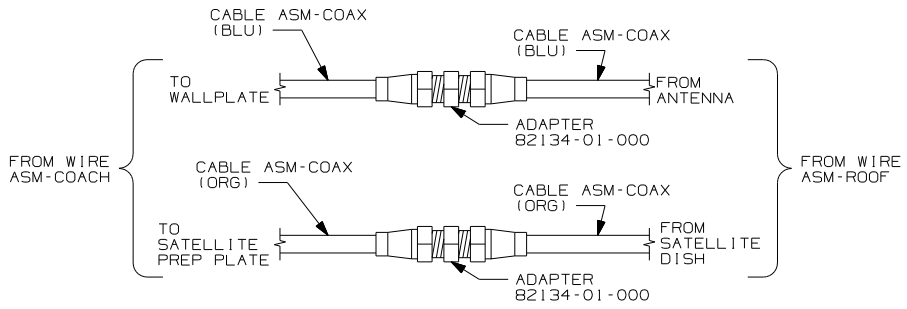
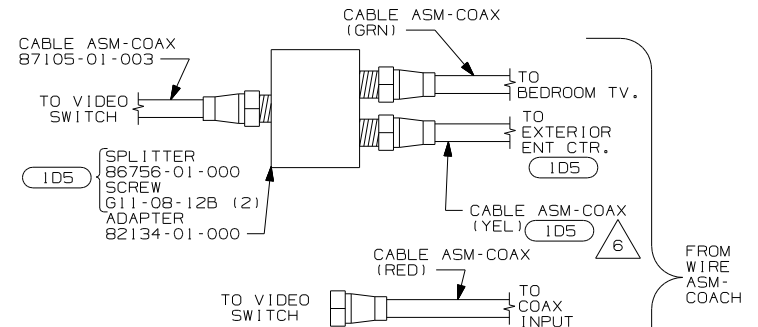
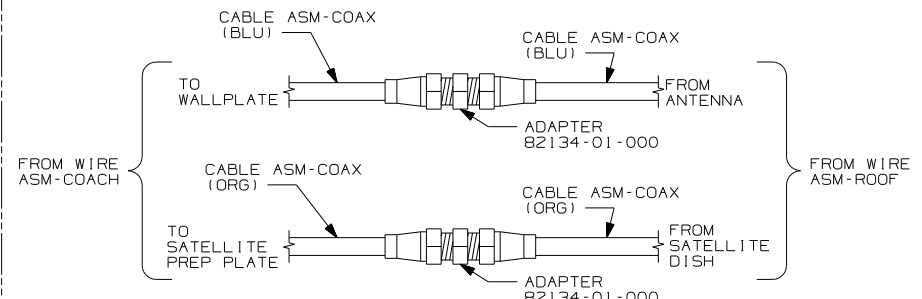
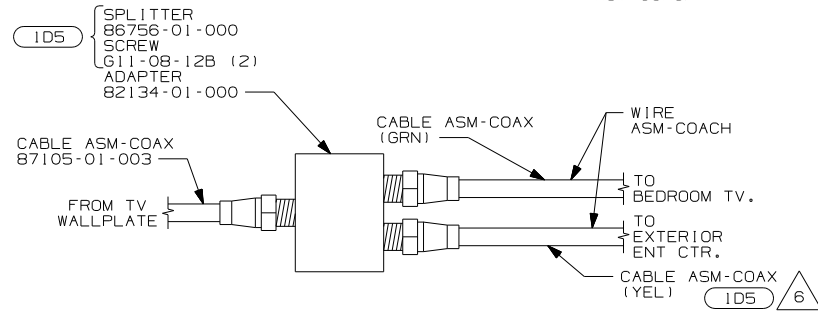
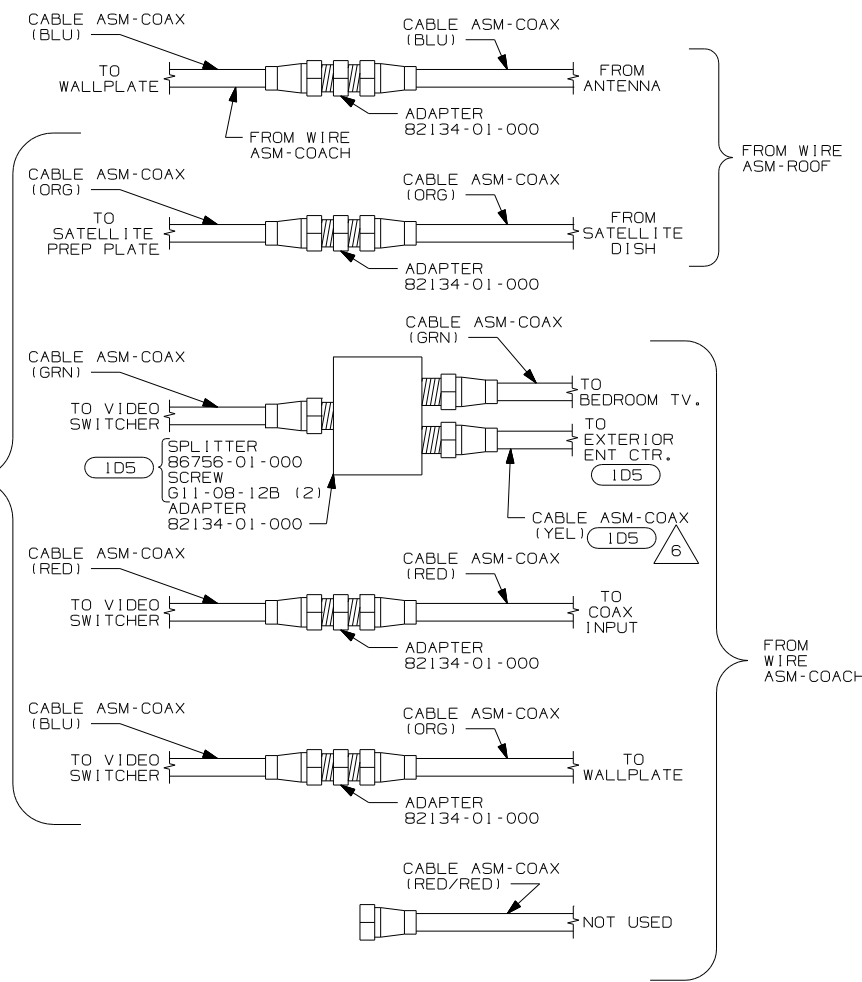
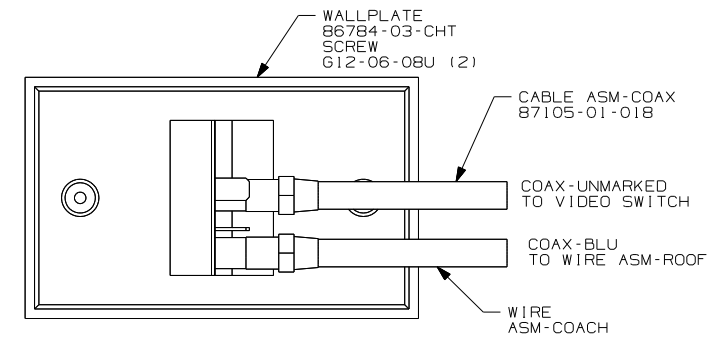
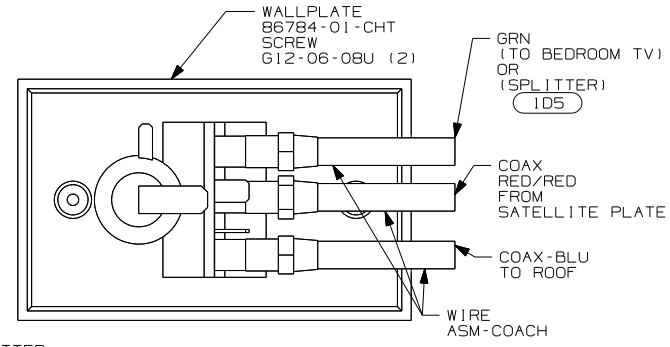
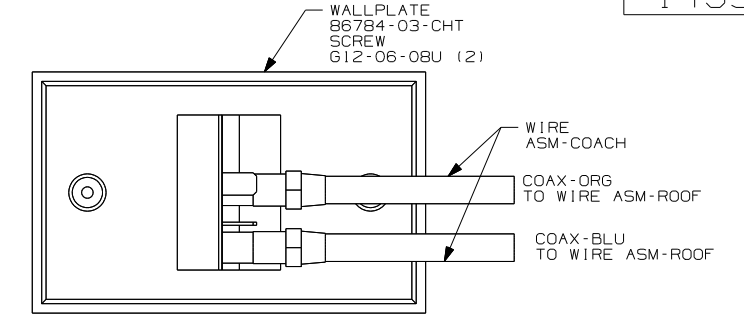
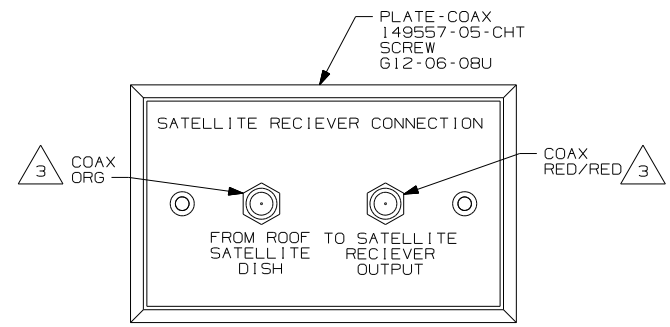
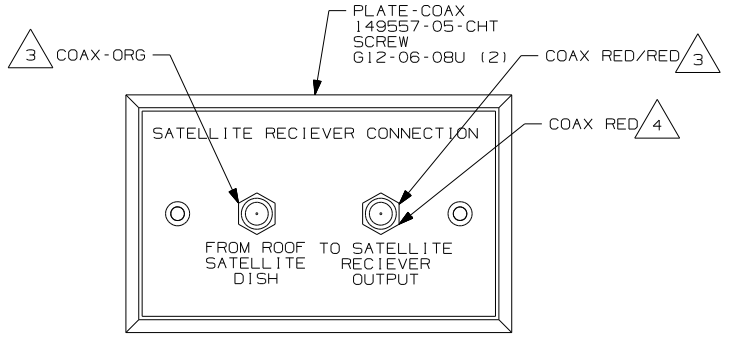
NOTES:

- 1J8 TV ANTENNA-OMNIDIRECTIONAL
- 1D5 ENTERTAINMENT CENTR/EXT W/CD
- 480 SATELLITE DISH & ELEV.SENSOR

FOR ELECTRICAL TORQUE SPECIFICATIONS SEE DWG NO. 128783-01-000

FOR ELECTRICAL CALLOUTS SEE DWG NO. 121339-01-000

FIRST USED	05 331C/T
DO NOT SCALE DRAWING	
TITLE	WIRING INST-BODY, 12V
SHEET 6	PART NO 149376



DETAIL GA 2

DETAIL GA 42M 5

DETAIL GA 42J 1

- 6 COAX NOT USED WITHOUT ID5.
- 5 WITH SIDE ENTERRAINMENT CENTER, SEE WIRING INSTL-TV/VCR, SIDE FOR ADDITIONAL INFORMATION.
- 4 CONNECT COAX TO FRONT SIDE OF WALLPLATE.
- 3 CONNECT COAX TO BACKSIDE OF WALLPLATE.
- 2 WITHOUT 42J OR 42M.
- 1 WITH FRONT ENTERRAINMENT CENTER, SEE WIRING INSTL-TV/VCR, FRONT FOR ADDITIONAL INFORMATION.

- 42M TV-19" COLOR W/STEREO
- 42J TV-24" COLOR, STEREO W/REMOTE
- ID5 ENTERTAINMENT CENTER/EXT W/CD
- 265 CODES/STANDARDS-CSA/CMVSS
- 1B1 CODES/STANDARDS USA

FIRST USED	
05 331C/T	
DO NOT SCALE DRAWING	
TITLE:	
WIRING INST-BODY, 12V	
SHEET 7	PART NO 149376