



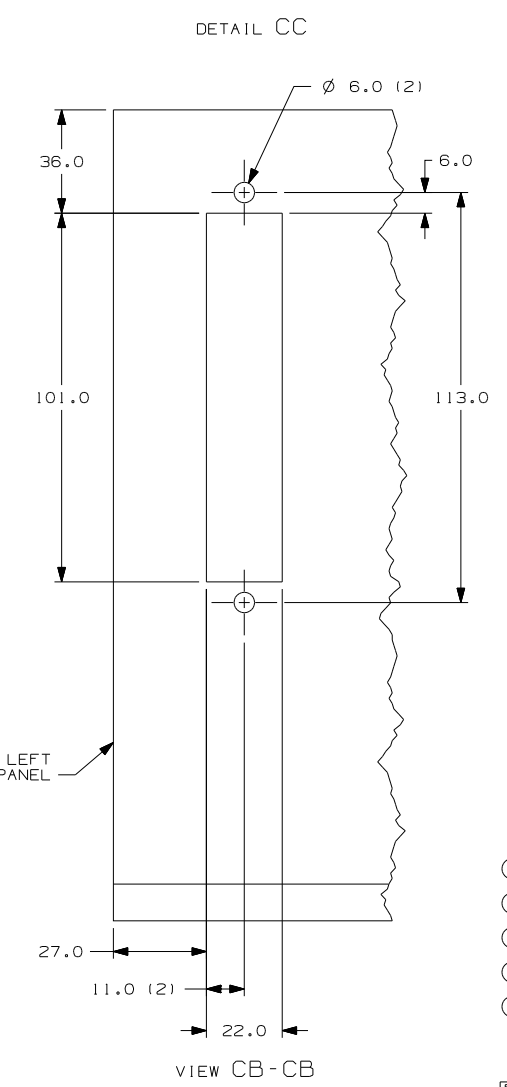
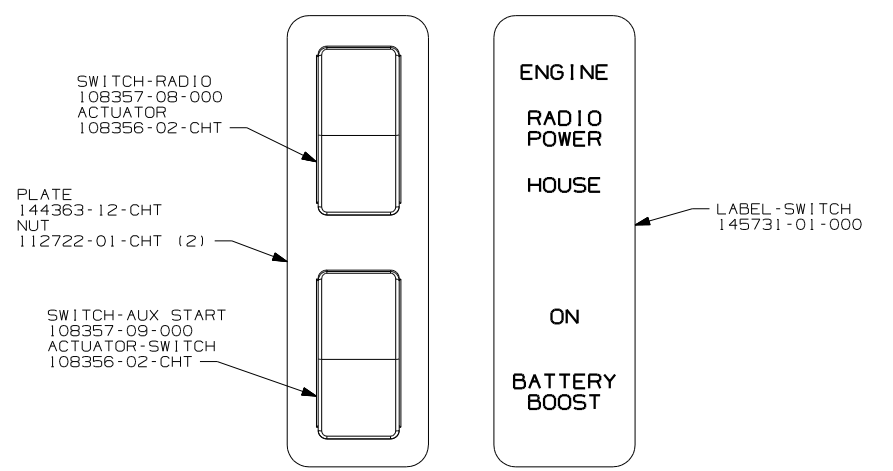
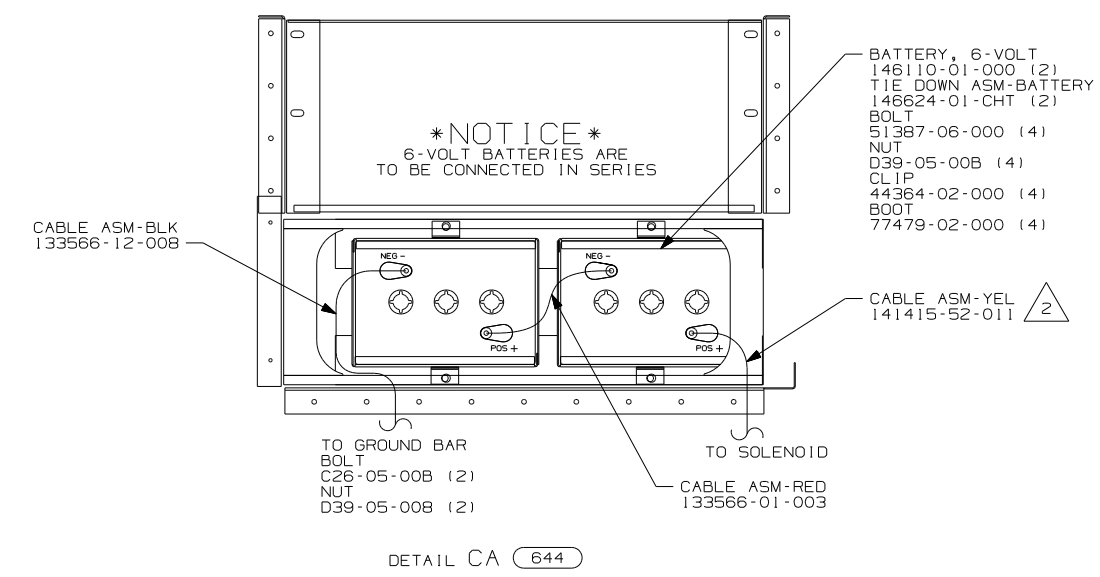
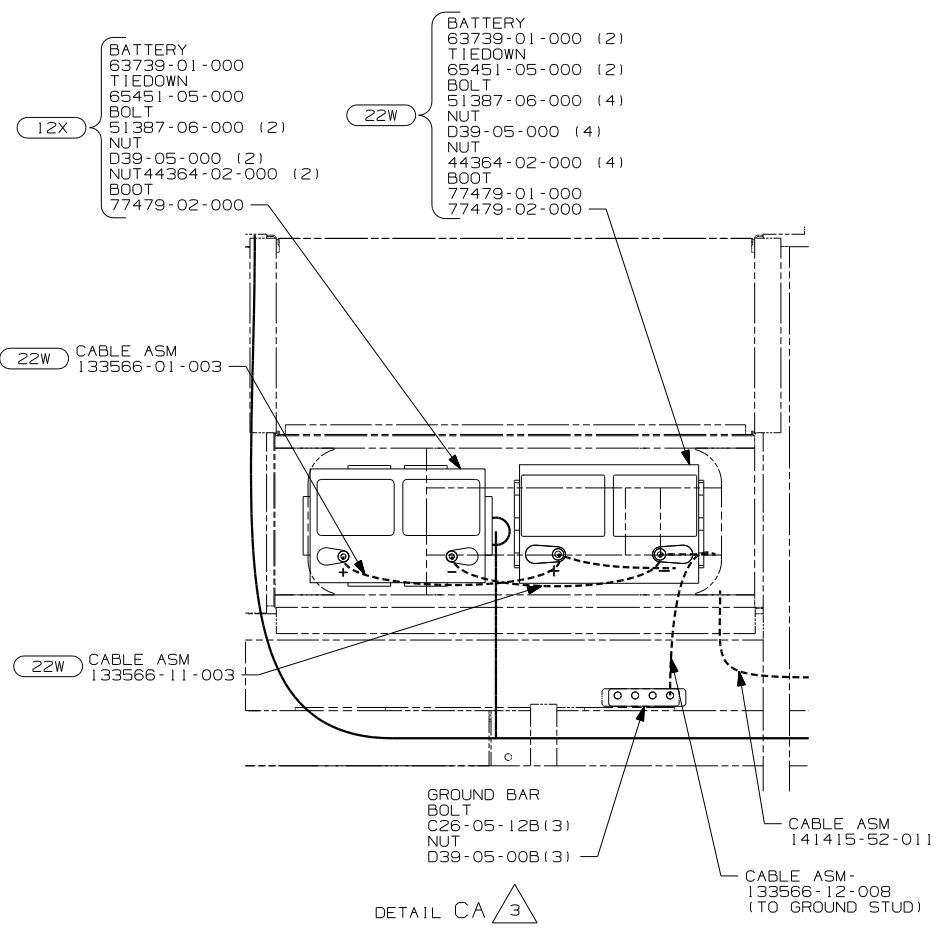
DANGER

Danger of electrical shock, burns or death. Always remove all power sources before attempting any repair, service or diagnostic work. Power can be present from shore power, generator, inverter or battery. All power sources must be disabled and secured before performing any service.



CAUTION

If you lack the skills, tools or equipment to perform diagnostic or repair work leave such work to an authorized Winnebago Industries dealer or other qualified shop.



- $\triangle 644$ GREAT ALASKAN RENTAL PACKAGE
- $\triangle 22W$ BATTERY-TWO
- $\triangle 12X$ BATTERY-ONE
- $\triangle 265$ CODES/STANDARDS-CSA/CMVSS
- $\triangle 1B1$ CODES/STANDARDS USA

- $\triangle 3$ WITHOUT $\triangle 644$
- $\triangle 2$ LEAD IS MARKED WITH YELLOW TAPE
- $\triangle 1$ CUT LIGHT GREEN/RED WIRE FROM PARK BRAKE SWITCH AND RECONNECT TO CIRCUIT DY OF CHASSIS ASM AS SHOWN.

FOR ELECTRICAL TORQUE SPECIFICATIONS SEE DWG NO. 128783-01-000

$\triangle X-X$

FOR ELECTRICAL CALLOUTS SEE DWG NO. 121339-01-000

FIRST USED	05 331C/T
TITLE	DO NOT SCALE DRAWING
	WIRING INSTL-CHASSIS
SHEET 3	PART NO 149375