

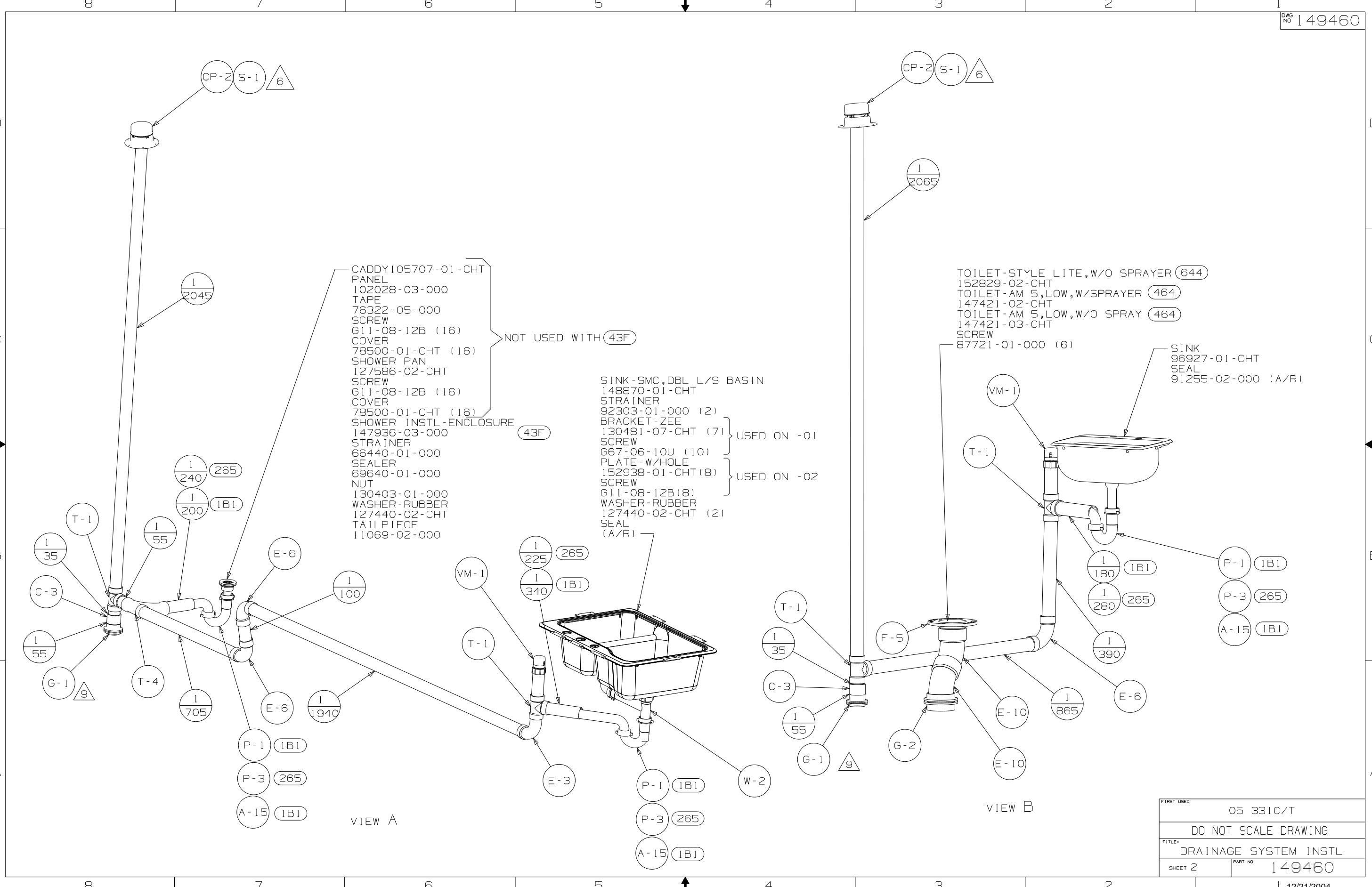
- (43F) SHOWER SURROUND
- (464) TOILET
- (1B1) CODES/STANDARDS USA
- (265) CODES/STANDARDS-CSA/CMVSS
- (23T) DRAINAGE SYSTEM-HEATED

10. SECURE PIPES TO CABINET USING WIRE TIE 108046-02-000 AND SCREW G67-10-12B.
9. SECURE VENT TUBES TO FLOOR WITH CLAMP 62401-02-000 (2) SCREW G67-10-12B (2) AND BRACKET 136878-01-CHT (2).
8. WRAP PAD AROUND ON THE SIDES OF THE TANK.
7. SEE WIRING INSTL-BODY, 12V FOR ELECTRICAL CONNECTION.
6. VENT PIPE MUST PROJECT 51 MIN AND 64 MAX ABOVE ROOF FOR PROPER FIT AND FUNCTION.
5. SEAL AROUND SHOWER WITH SILICONE.
4. ALL EXTERIOR OPENINGS AROUND PIPE TO BE SEALED WITH 131264-03.
3. ALL PIPE AND FITTINGS TO BE ASSEMBLED WITH SOLVENT 4020-01-000.
2. SLOPE OF TRAP ARM MUST BE 6 PER 305 mm.
1. SLOPE OF HORIZONTAL PIPING TO BE MIN 3 PER 305 mm.

NOTES:

<b>WINNEBAGO</b>		COPYRIGHT 2004 WINNEBAGO INDUSTRIES, INC.	
DFT	ORIG. DATE	ALL DIMENSIONS ARE IN MILLIMETERS	
CHKR		FIRST USED	
P.E.		05 331C/T	
M.E.		UNSPECIFIED TOLERANCES ARE:	
DSNR		MATERIAL:	
		WHOLE DIM (X) :	7
		ONE-PLACE (X.X) :	
		TWO-PLACE (X.XX) :	
		ANGLE :	
		THIRD ANGLE PROJECTION	
DO NOT SCALE DRAWING			
TITLE: DRAINAGE SYSTEM INSTL			
SHEET 1 OF 3	PART NO	149460	

(X-X)  
FOR  
DRAINAGE  
CALLOUTS  
SEE DWG NO  
116229-01-000



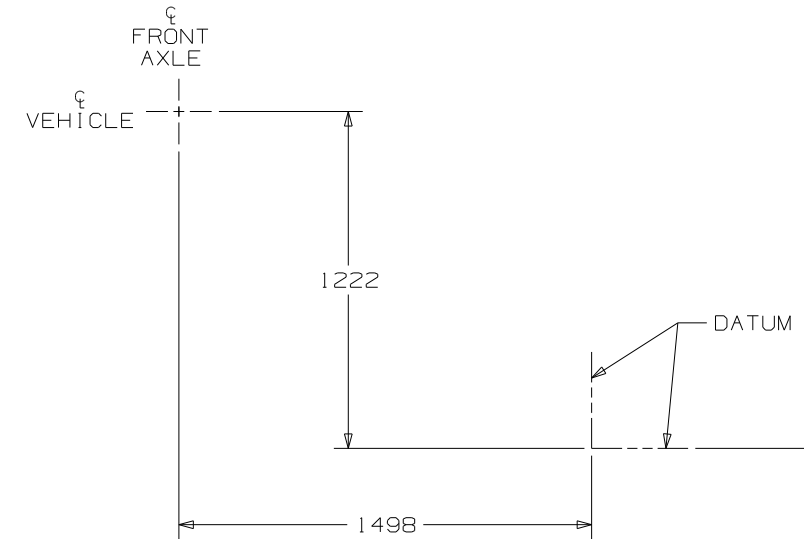
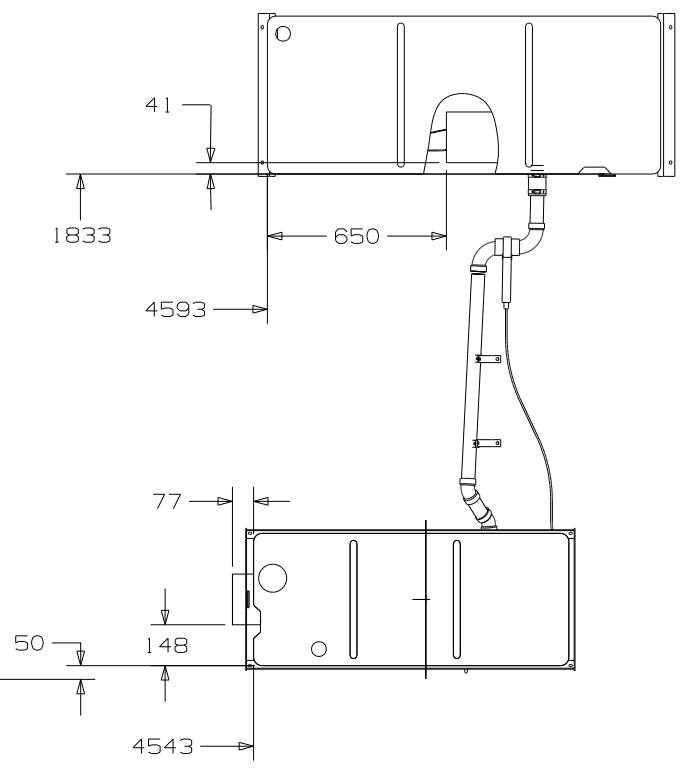
- CADDY 105707-01-CHT  
 PANEL  
 102028-03-000  
 TAPE  
 76322-05-000  
 SCREW  
 G11-08-12B (16)  
 COVER  
 78500-01-CHT (16)  
 SHOWER PAN  
 127586-02-CHT  
 SCREW  
 G11-08-12B (16)  
 COVER  
 78500-01-CHT (16)  
 SHOWER INSTL-ENCLOSURE  
 147936-03-000  
 STRAINER  
 66440-01-000  
 SEALER  
 69640-01-000  
 NUT  
 130403-01-000  
 WASHER-RUBBER  
 127440-02-CHT  
 TAILPIECE  
 11069-02-000
- NOT USED WITH 43F
- 43F
- SINK-SMC, DBL L/S BASIN  
 148870-01-CHT  
 STRAINER  
 92303-01-000 (2)  
 BRACKET-ZEE  
 130481-07-CHT (7)  
 SCREW  
 G67-06-10U (10)  
 PLATE-W/HOLE  
 152938-01-CHT (8)  
 SCREW  
 G11-08-12B (8)  
 WASHER-RUBBER  
 127440-02-CHT (2)  
 SEAL  
 (A/R)
- USED ON -01
- USED ON -02

- TOILET-STYLE LITE, W/O SPRAYER 644  
 152829-02-CHT  
 TOILET-AM 5, LOW, W/SPRAYER 464  
 147421-02-CHT  
 TOILET-AM 5, LOW, W/O SPRAY 464  
 147421-03-CHT  
 SCREW  
 87721-01-000 (6)
- SINK  
 96927-01-CHT  
 SEAL  
 91255-02-000 (A/R)

VIEW A

VIEW B

FIRST USED	05 331C/T
DO NOT SCALE DRAWING	
TITLE	DRAINAGE SYSTEM INSTL
SHEET 2	PART NO 149460



VIEW C

- CRADLE ASM  
141451-01-CHT  
BOLT  
65115-03-000 (4)  
NUT  
D39-05-00B (4)  
WASHER  
E13-16-00B (4)

- HANGER-STRAP  
140220-04-CHT (2)  
BOLT  
C18-05-40A (2)  
NUT  
D39-005-00B (2)

- CABLE - VALVE, REMOTE  
62421-05-000

- HOLDER-RING  
141443-02-CHT (2)  
BOLT  
C12-05-16B (2)  
NUT  
D12-05-00B (2)  
NUT  
D39-05-00B (3)  
BOLT  
C18-05-40A (3)

- PAD-HEATER, ELBOW  
133972-03-000

- CRADLE ASM  
137609-02-CHT  
BOLT  
C18-05-40A (4)  
NUT  
D39-05-00B (4)  
WASHER  
E13-16-00B (4)

- TANK - HOLDING  
137882-04-CHT

- TANK - HOLDING (23T)  
127519-04-000

- PAD-HEATER  
133972-01-000

- PAD-HEATER  
133972-01-000

- VALVE  
72346-01-000

23T

05 331C/T

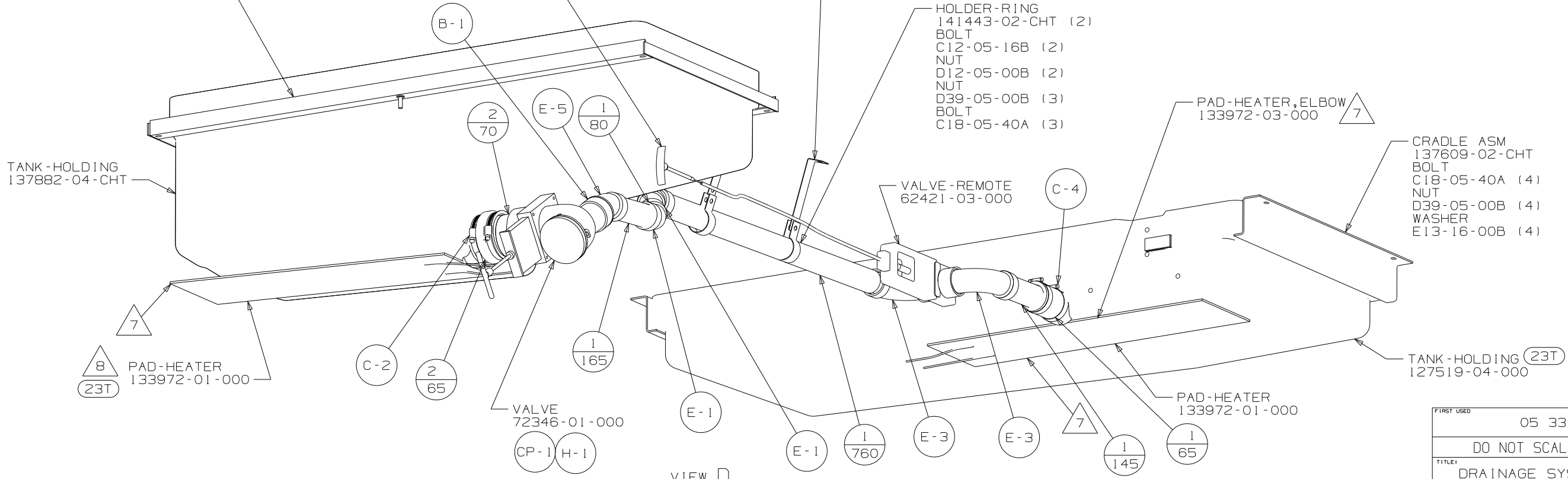
DO NOT SCALE DRAWING

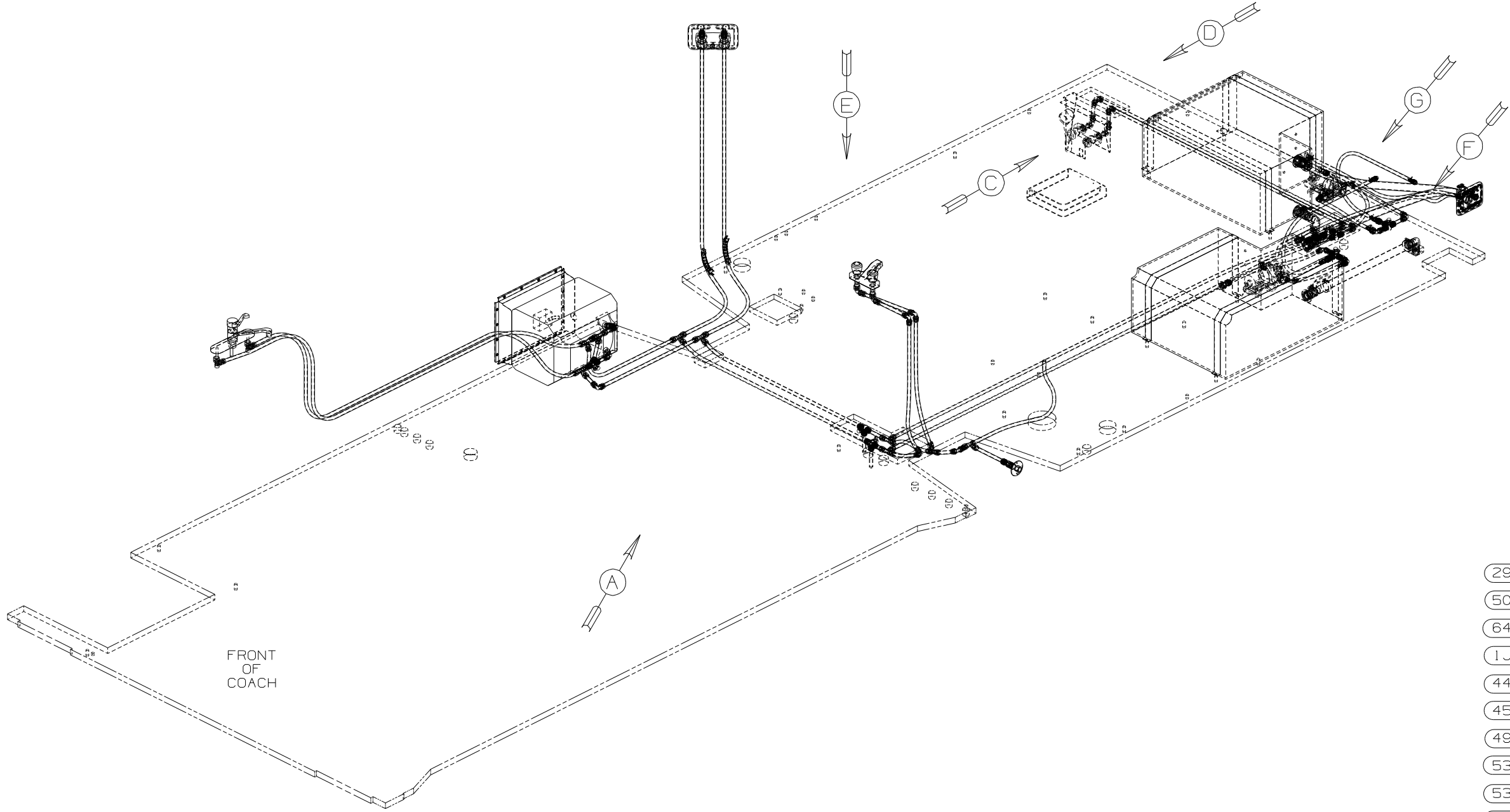
TITLE: DRAINAGE SYSTEM INSTL

SHEET 3 PART NO 149460

12/21/2004

VIEW D



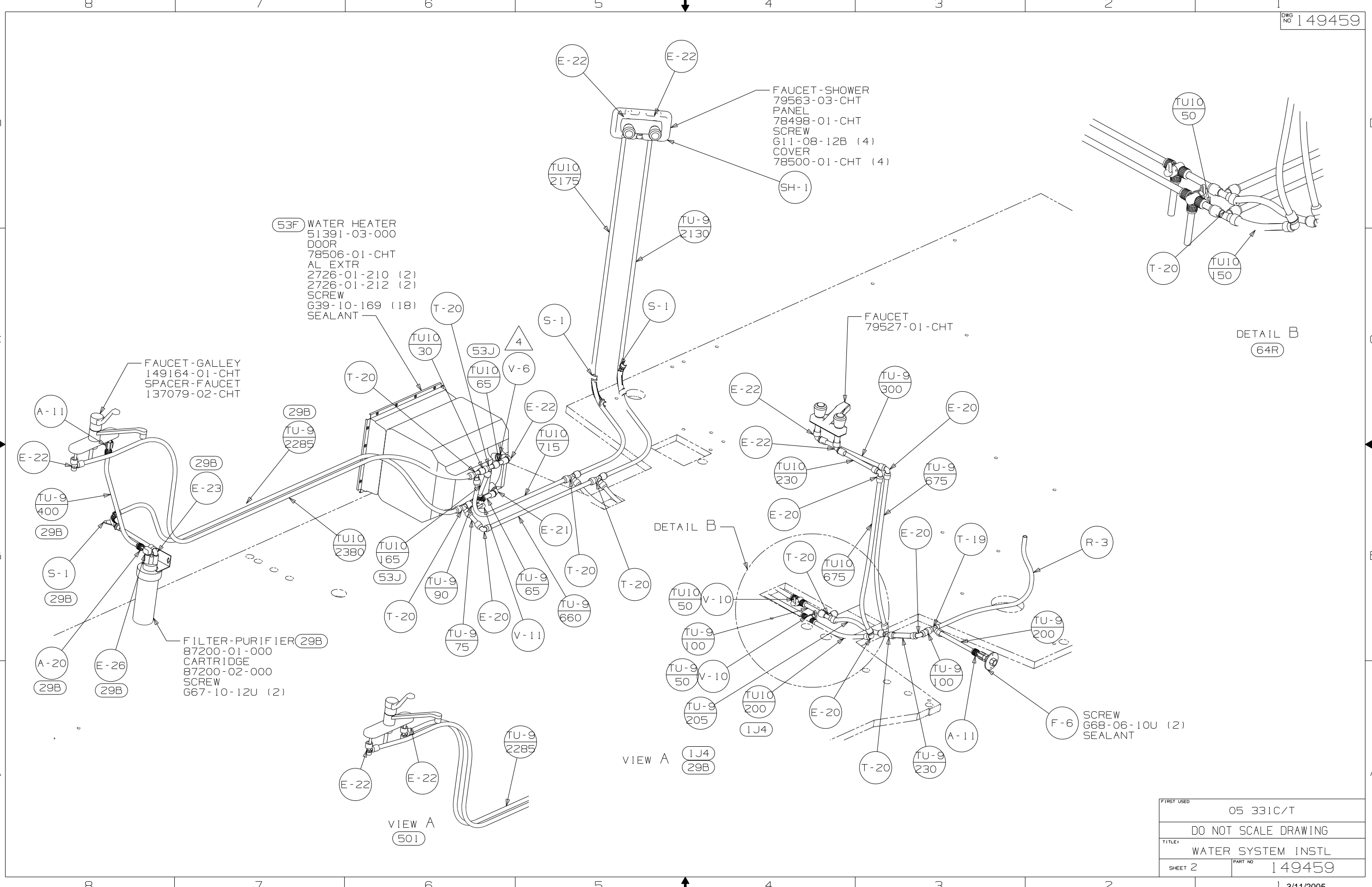


- (29B) WATER PURIFIER
- (50I) WATER PURIFIER-W/O
- (64R) EXTERIOR WASH STATION
- (1J4) EXT WASH STATION-WITHOUT
- (44X) BED-QUEEN SIDEWALL
- (45G) BED-TWINS
- (49X) BED-QUEEN-BACKWALL
- (53P) WINTERIZING VALVE, MANUAL
- (53J) WATER HEATER BY-PASS-VALVE
- (53F) WTR HTR-6 GAL ELEC IGN

- NOTES:
- 7. ADD PIPE WRAP (LADDER SCRAP) INSULATION HERE.
  - 6. ANTI-RATTLE CLAMP 10495-01-000, SCREW G67-10-12B.
  - 5. ADD TEFLON TAPE 10405-01-000 TO FITTING.
  - 4. ADD TEFLON TAPE 10405-02-000 TO FITTING.
3. ALL TUBING TO BE SECURED AT 1200 INTERVALS MAXIMUM WITH CLAMP 10495-01-000 OR CLIP 9151-01-000 AND SCREWE G67-10-12B.
  2. TUBING TO BE INSTALLED WITH SUFFICIENT SLOPE TO PROVIDE DRAINAGE TO NEAREST VALVE.
  1. PLASTIC FITTINGS TO BE SEALED WITH SEALANT 94456-01-000.

<b>WINNEBAGO</b>		COPYRIGHT 2005 WINNEBAGO INDUSTRIES, INC.	
DFTR	ORIG. DATE	ALL DIMENSIONS ARE IN MILLIMETERS	
CHKR		FIRST USED	
P.E.		05 331C/T	
M.E.		UNSPECIFIED TOLERANCES ARE:	
DSNR		MATERIAL:	
		WHOLE DIM (X)	: 3
		ONE-PLACE (X.X)	:
		TWO-PLACE (X.XX)	:
		ANGLE	:
THIRD ANGLE PROJECTION		DO NOT SCALE DRAWING	
TITLE: WATER SYSTEM INSTL			
SHEET 1 OF 5		PART NO 149459	
REF: 144464 1 3/11/2005			

(X-X)  
FOR  
WATER  
CALLOUTS  
SEE DWG NO  
116230-01-000



(53F) WATER HEATER  
 51391-03-000  
 DOOR  
 78506-01-CHT  
 AL EXTR  
 2726-01-210 (2)  
 2726-01-212 (2)  
 SCREW  
 639-10-169 (18)  
 SEALANT

FAUCET - GALLEY  
 149164-01-CHT  
 SPACER-FAUCET  
 137079-02-CHT

FILTER-PURIFIER (29B)  
 87200-01-000  
 CARTRIDGE  
 87200-02-000  
 SCREW  
 667-10-12U (2)

FAUCET - SHOWER  
 79563-03-CHT  
 PANEL  
 78498-01-CHT  
 SCREW  
 611-08-12B (4)  
 COVER  
 78500-01-CHT (4)

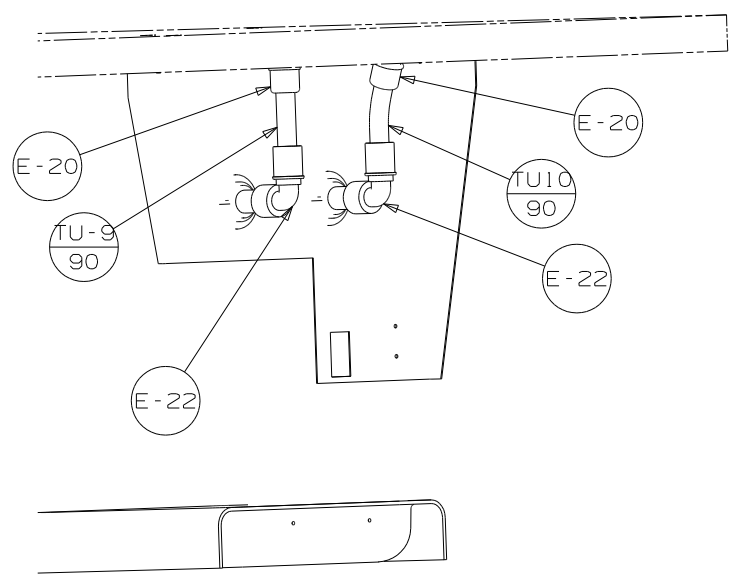
FAUCET  
 79527-01-CHT

DETAIL B  
 (64R)

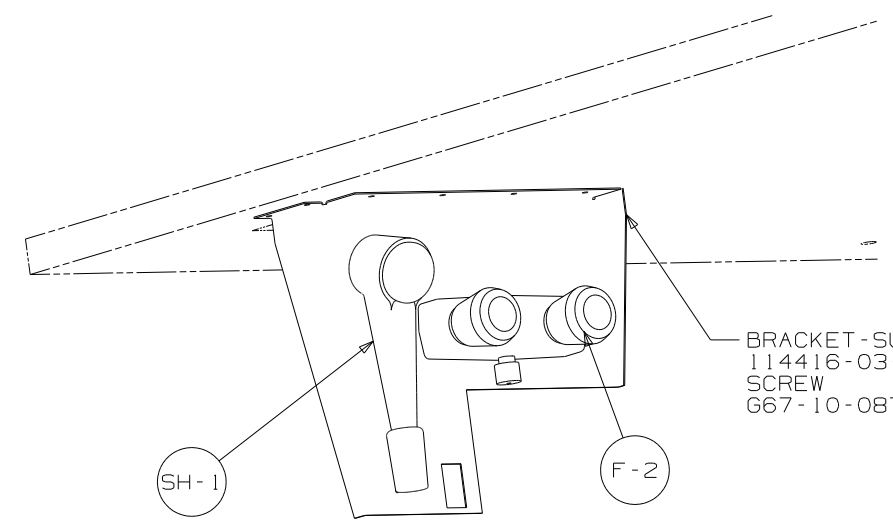
VIEW A  
 (501)

SCREW  
 668-06-10U (2)  
 SEALANT

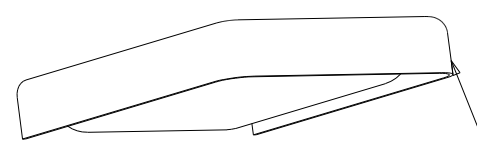
FIRST USED	05 331C/T
TITLE:	DO NOT SCALE DRAWING
SHEET 2	PART NO 149459
	1 3/11/2005



VIEW D  
64R

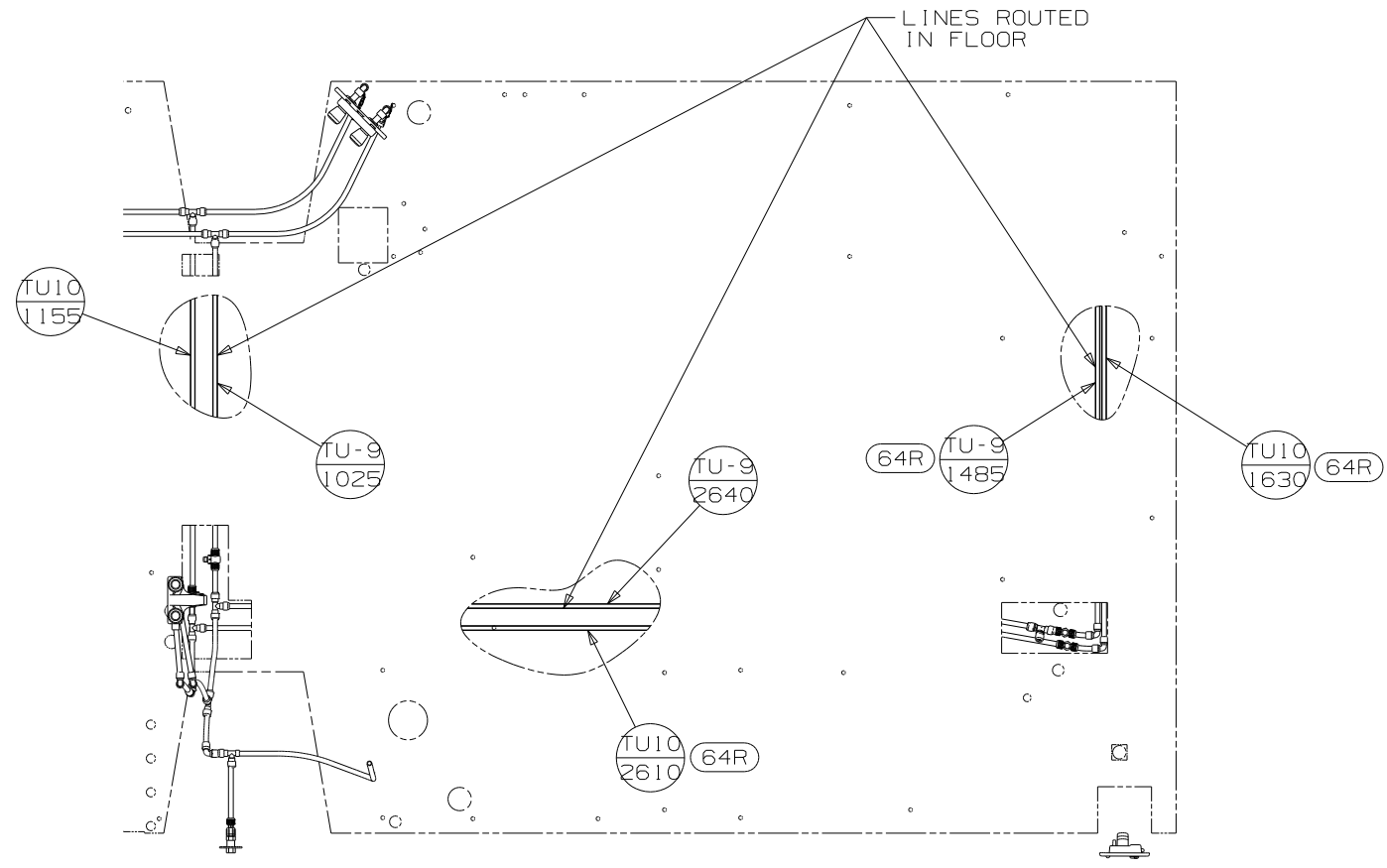


BRACKET-SUPPORT, FAUCET  
114416-03-CHT  
SCREW  
G67-10-08T (6)



VIEW C  
64R

PAN-DRIP, EXTERIOR SHOWER  
114293-01-CHT  
SCREW  
G67-10-08U (2)



VIEW E

FIRST USED	05 331C/T
TITLE	DO NOT SCALE DRAWING
SHEET 3	PART NO 149459
	1 3/11/2005

TANK ASM-WATER, 31 GAL  
64214-24-000  
STRAP-TANK, WATER  
118994-03-CHT  
118994-04-CHT  
BOLT  
C18-05-40A (4)  
NUT  
D39-05-00B (4)  
WASHER  
E13-16-00B (4)

VALVE  
132483-01-000

TUBING  
74462-01-000  
650

SCREW  
G11-08-12U (4)  
SEALANT

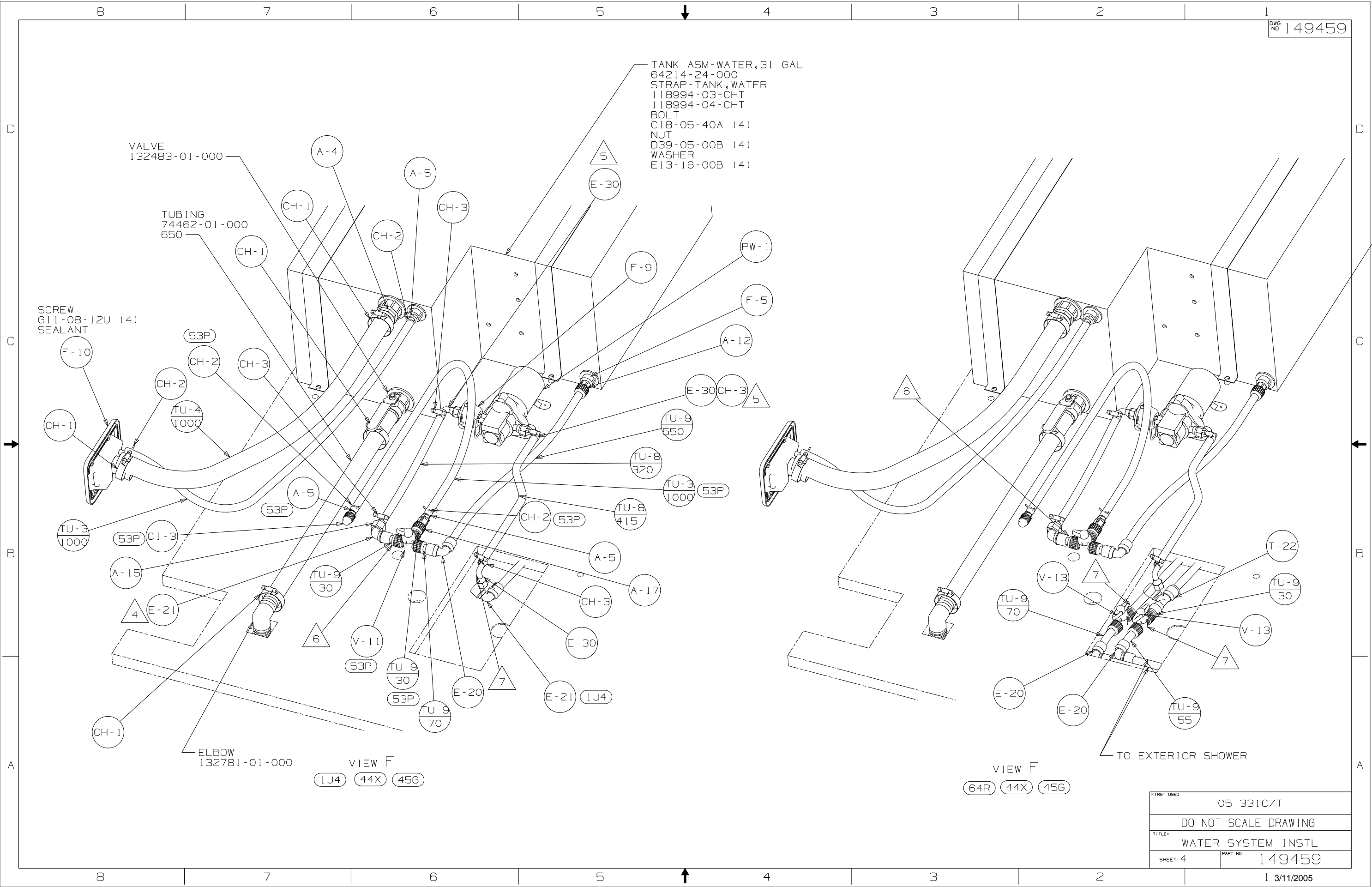
ELBOW  
132781-01-000

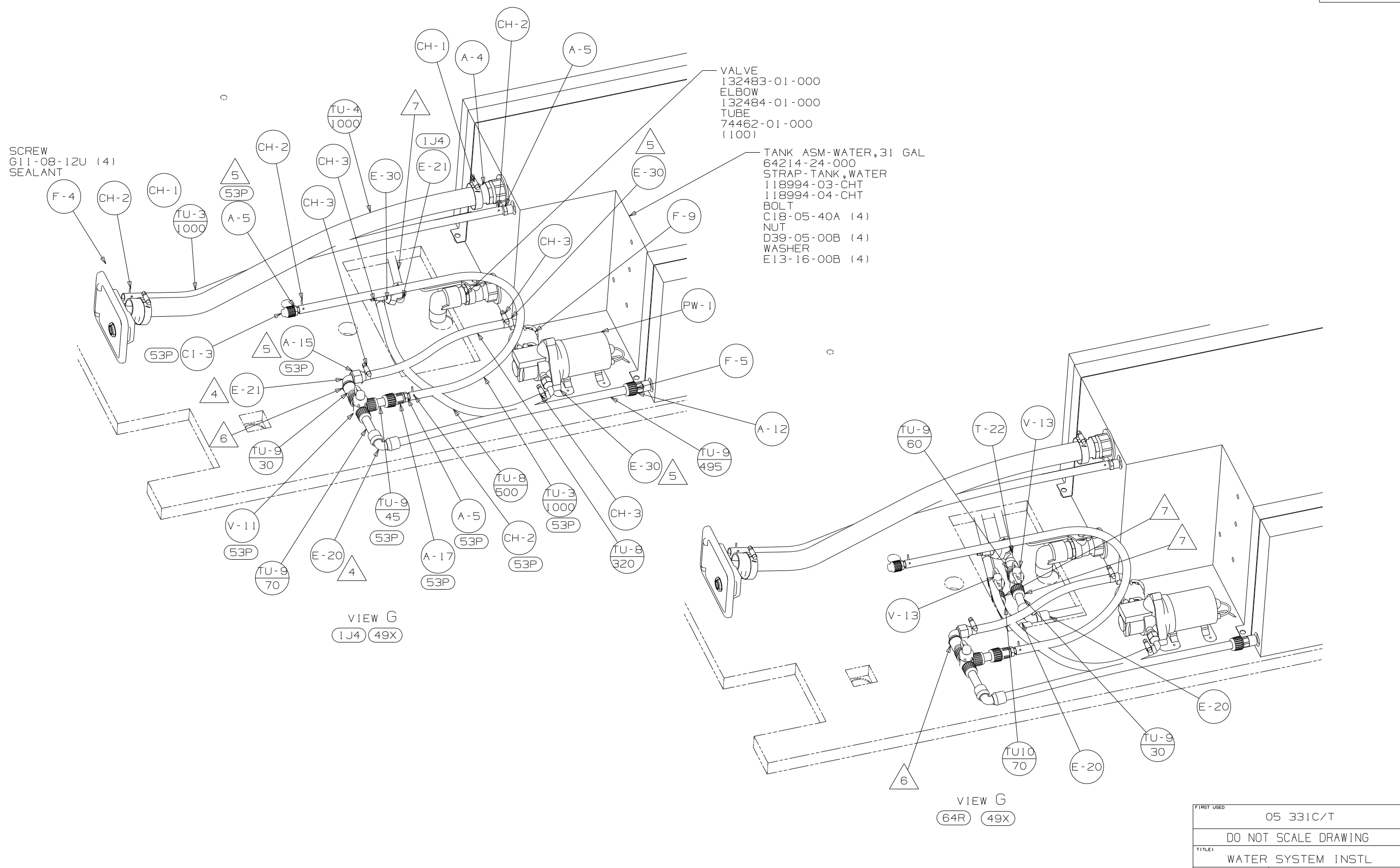
VIEW F  
1J4 44X 45G

VIEW F  
64R 44X 45G

TO EXTERIOR SHOWER

FIRST USED	05 331C/T
TITLE	DO NOT SCALE DRAWING
TITLE	WATER SYSTEM INSTL
SHEET 4	PART NO 149459





SCREW  
G11-08-12U (4)  
SEALANT

VALVE  
132483-01-000  
ELBOW  
132484-01-000  
TUBE  
74462-01-000  
(100)

TANK ASM-WATER, 31 GAL  
64214-24-000  
STRAP-TANK, WATER  
118994-03-CHT  
118994-04-CHT  
BOLT  
C18-05-40A (4)  
NUT  
D39-05-00B (4)  
WASHER  
E13-16-00B (4)

VIEW G  
1J4 49X

VIEW G  
64R 49X

FIRST USED	05 331C/T
TITLE	DO NOT SCALE DRAWING
TITLE	WATER SYSTEM INSTL
SHEET 5	PART NO 149459