



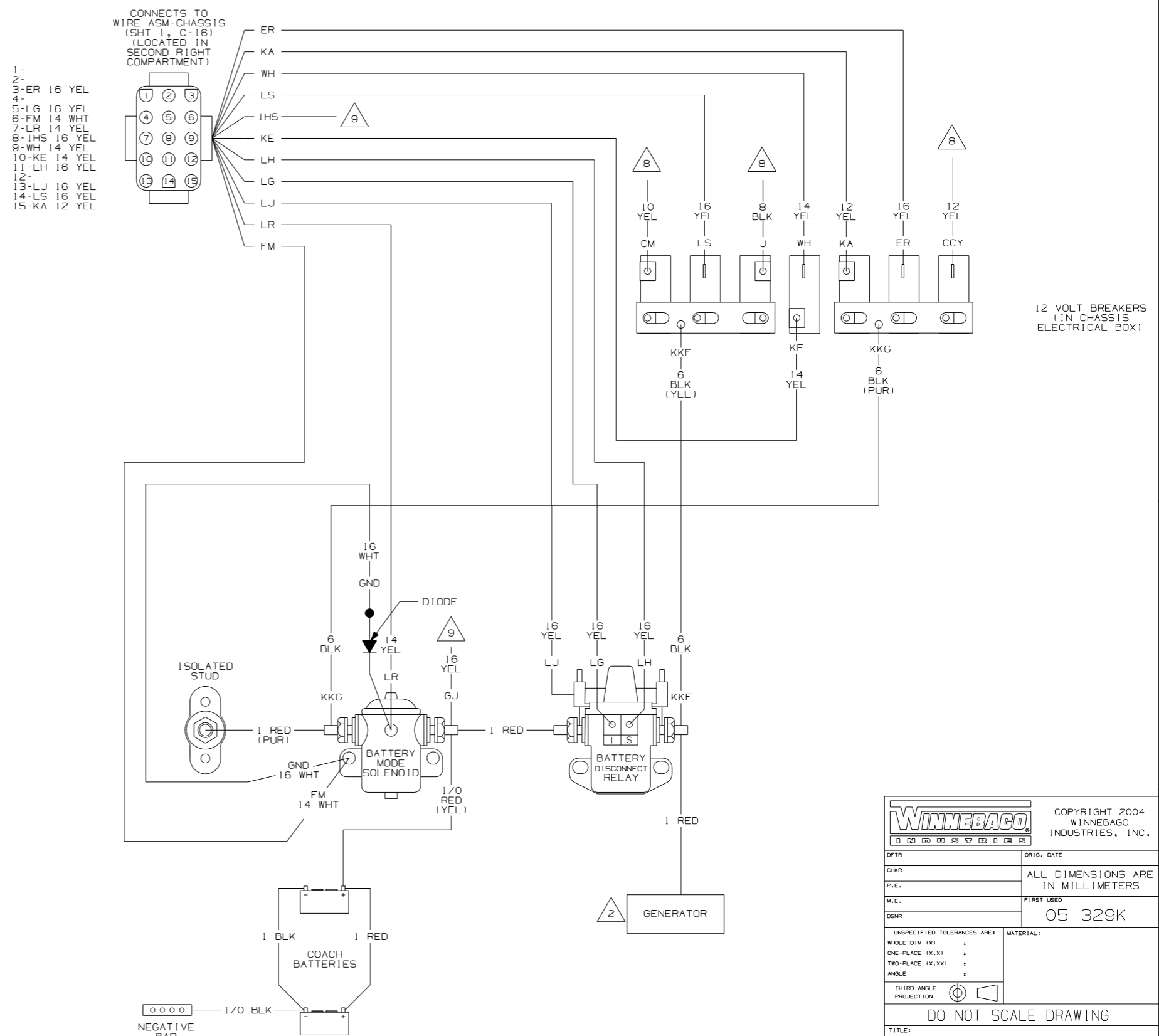
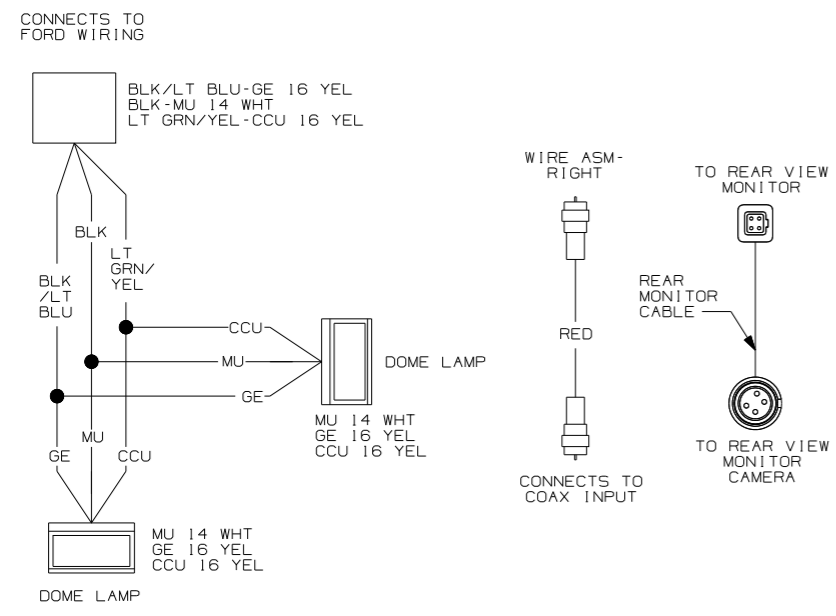
DANGER

Danger of electrical shock, burns or death. Always remove all power sources before attempting any repair, service or diagnostic work. Power can be present from shore power, generator, inverter or battery. All power sources must be disabled and secured before performing any service.



CAUTION

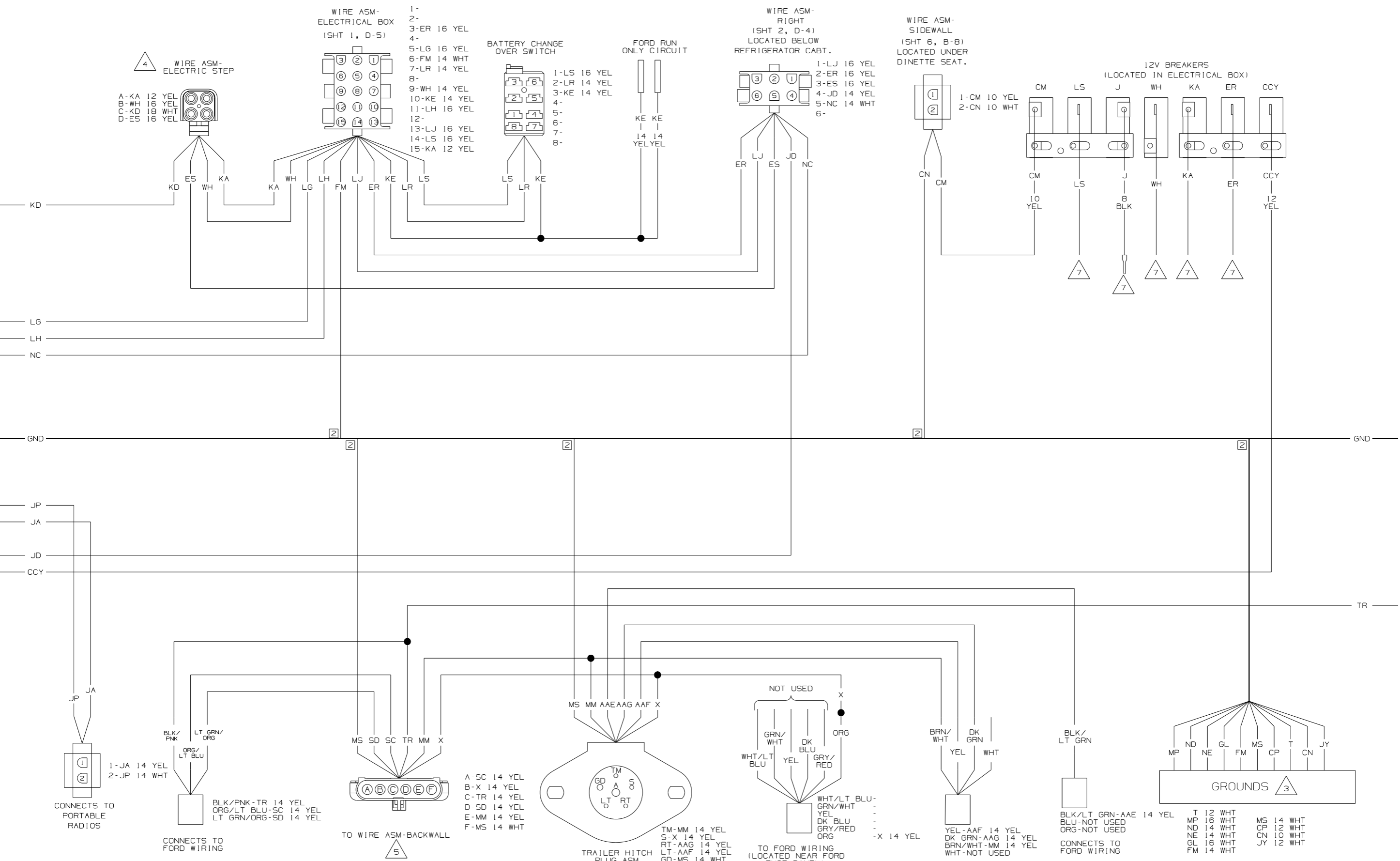
If you lack the skills, tools or equipment to perform diagnostic or repair work leave such work to an authorized Winnebago Industries dealer or other qualified shop.

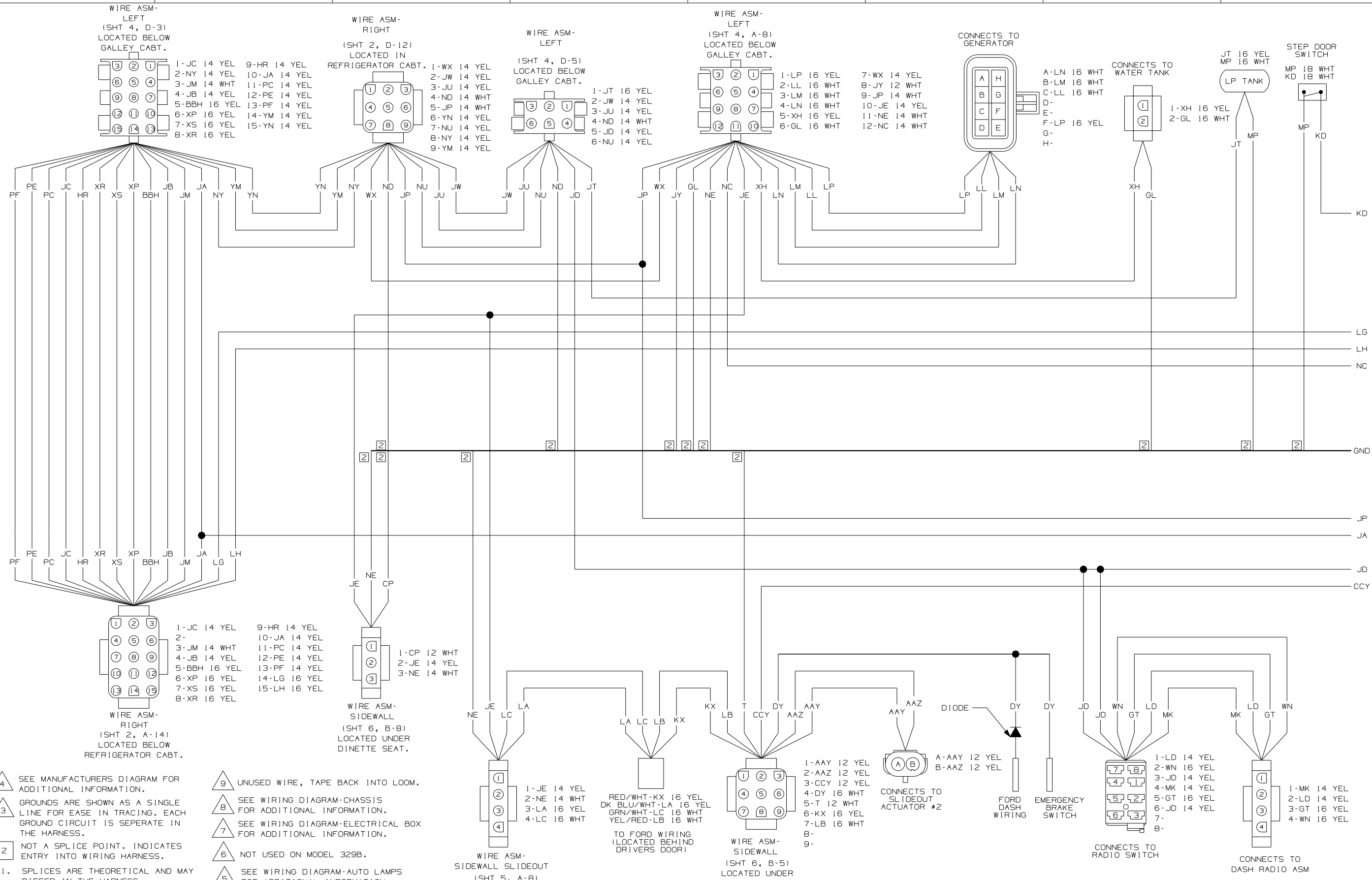


WIRING DIAGRAM-CHASSIS (WIRE ASM 150393-01 REV-A)

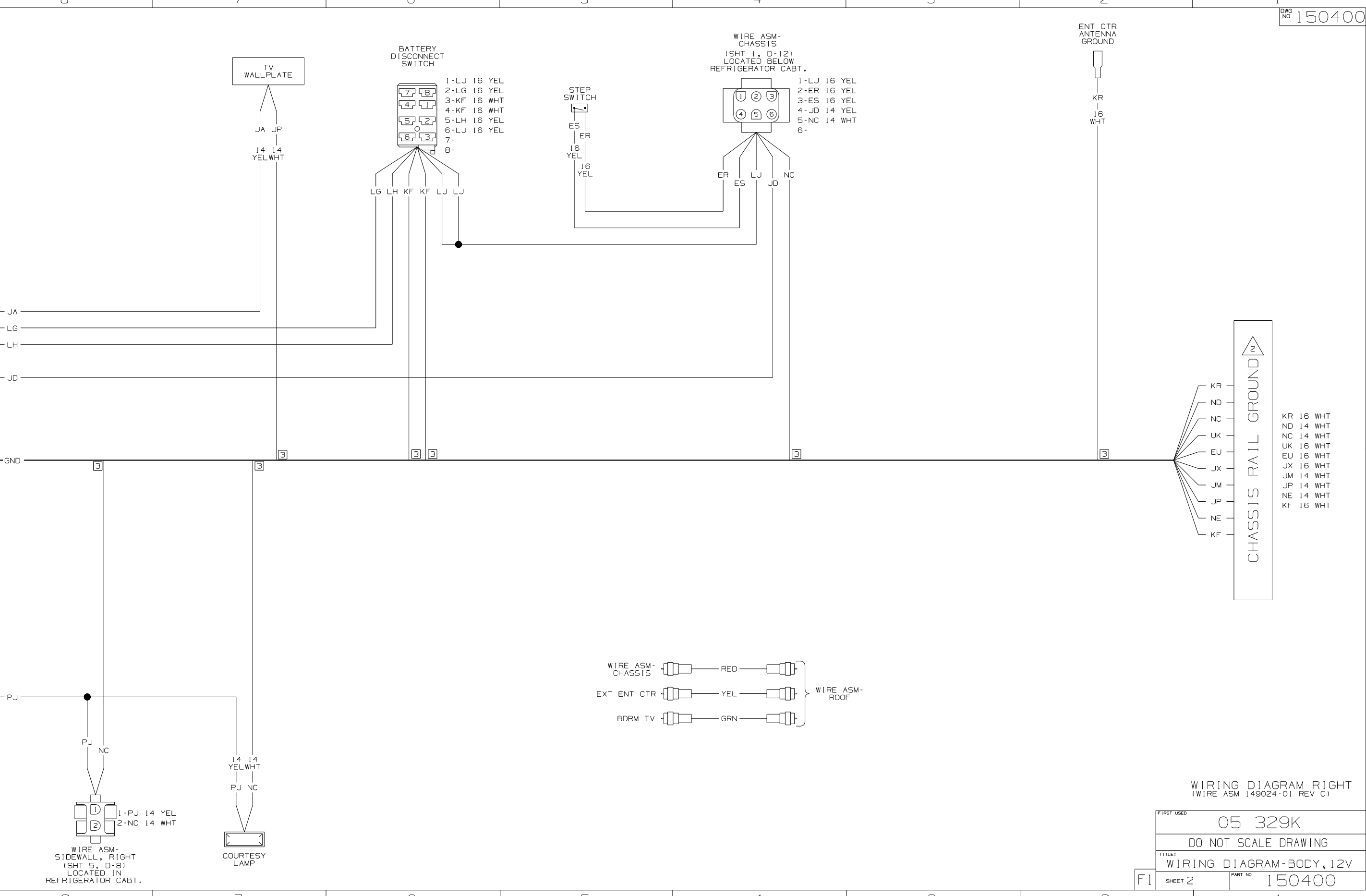
WIRING DIAGRAM-ELECTRICAL BOX (WIRE ASM 124125-04 REV-K)

WINNEBAGO		COPYRIGHT 2004 WINNEBAGO INDUSTRIES, INC.	
DFTR	ORIG. DATE	ALL DIMENSIONS ARE IN MILLIMETERS	
CHRR		FIRST USED	
P.E.		05 329K	
M.E.		UNSPECIFIED TOLERANCES ARE:	
DSNR		MATERIAL:	
		WHOLE DIM (XX)	:
		ONE-PLACE (X.X)	:
		TWO-PLACE (X.XX)	:
		ANGLE	:
		THIRD ANGLE PROJECTION	
DO NOT SCALE DRAWING			
TITLE: WIRING DIAGRAM-BODY, 12V			
SHEET 1 of 6	PART NO	150400	
REF: 147837		1 07/19/2004	



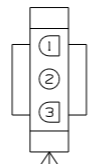
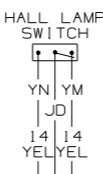
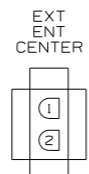
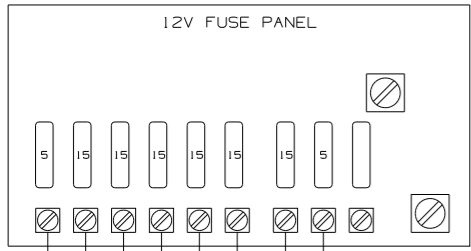


- NOTES:**
- 4 SEE MANUFACTURERS DIAGRAM FOR ADDITIONAL INFORMATION.
 - 3 GROUNDS ARE SHOWN AS A SINGLE LINE FOR EASE IN TRACING. EACH GROUND CIRCUIT IS SEPERATE IN THE HARNESS.
 - 2 NOT A SPLICE POINT. INDICATES ENTRY INTO WIRING HARNESS.
 - 1. SPLICES ARE THEORETICAL AND MAY DIFFER IN THE HARNESS.
 - 9 UNUSED WIRE, TAPE BACK INTO LOOM.
 - 8 SEE WIRING DIAGRAM-CHASSIS FOR ADDITIONAL INFORMATION.
 - 7 SEE WIRING DIAGRAM-ELECTRICAL BOX FOR ADDITIONAL INFORMATION.
 - 6 NOT USED ON MODEL 329B.
 - 5 SEE WIRING DIAGRAM-AUTO LAMPS FOR ADDITIONAL INFORMATION.

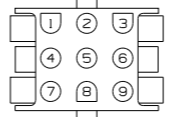


WIRING DIAGRAM RIGHT
(WIRE ASM 149024-01 REV C)

FIRST USED	05 329K	
TITLE	DO NOT SCALE DRAWING	
	WIRING DIAGRAM-BODY, 12V	
SHEET 2	PART NO	150400

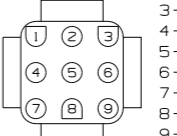


WIRE ASM-CHASSIS
(SHT 1, D-22)
LOCATED IN REFRIGERATOR CABT.

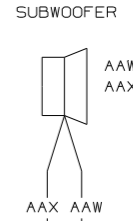


- 1-WX 14 YEL
- 2-JW 14 YEL
- 3-JU 14 YEL
- 4-ND 14 WHT
- 5-JP 14 WHT
- 6-YN 14 YEL
- 7-NU 14 YEL
- 8-NY 14 YEL
- 9-YM 14 YEL

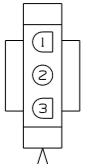
WIRE ASM-ROOF
(SHT 3, D-5)
LOCATED IN BDRM VANITY OVHD



- 1-NU 14 YEL
- 2-NY 14 YEL
- 3-JC 14 YEL
- 4-NC 14 WHT
- 5-ND 14 WHT
- 6-JB 14 YEL
- 7-JD 14 WHT
- 8-AAW 16 YEL
- 9-AAX 16 WHT



LP DETECTOR



- 1-UK 16 WHT
- 2-
- 3-WB 16 YEL

ET EU
16 16
YELWHT

JA JP

YN YM
JD
14 14
YEL YEL
14
YEL

JX JU JW

1-JW 14 YEL
2-JX 16 WHT
3-JU 14 YEL

JW JU YM YN JP ND NU WX

NY NU ND NC JB JD JC AAX

AAX AAW

WB UK

JA

LG

LH

JD

GND

PJ

3

3

3

3

3

3

3

3

3

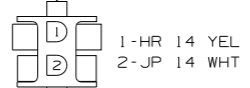
3

3

JP HR

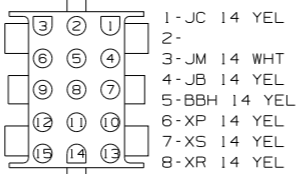
HR JC JB LG JA LH JM XP XS BBH XR PC PE PF

PF PE PC XR BBH XS XP JM JA JP WX PL XX NE JE



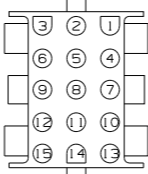
- 1-HR 14 YEL
- 2-JP 14 WHT

TO WIRE ASM-HEATER, RELAY
(SHT 6, D-7)
LOCATED BELOW REFRIGERATOR CABT.



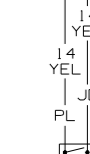
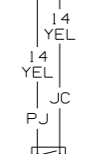
- 1-JC 14 YEL
- 2-
- 3-JM 14 WHT
- 4-JB 14 YEL
- 5-BBH 14 YEL
- 6-XP 14 YEL
- 7-XS 14 YEL
- 8-XR 14 YEL
- 9-HR 14 YEL
- 10-JA 14 YEL
- 11-PC 14 YEL
- 12-PE 14 YEL
- 13-PF 14 YEL
- 14-LG 16 YEL
- 15-LH 16 YEL

WIRE ASM-CHASSIS
(SHT 1, B-23)
LOCATED BELOW GALLEY CABT.



- 1-XP 14 YEL
- 2-XR 14 YEL
- 3-XS 14 YEL
- 4-JM 14 WHT
- 5-JA 14 YEL
- 6-JP 14 WHT
- 7-WX 14 YEL
- 8-JE 14 YEL
- 9-NE 14 WHT
- 10-PL 14 YEL
- 11-PE 14 YEL
- 12-XX 14 YEL
- 13-PC 14 YEL
- 14-PF 14 YEL
- 15-BBH 14 YEL

WIRE ASM-ROOF
(SHT 3, A-7)
LOCATED IN BDRM VANITY OVHD

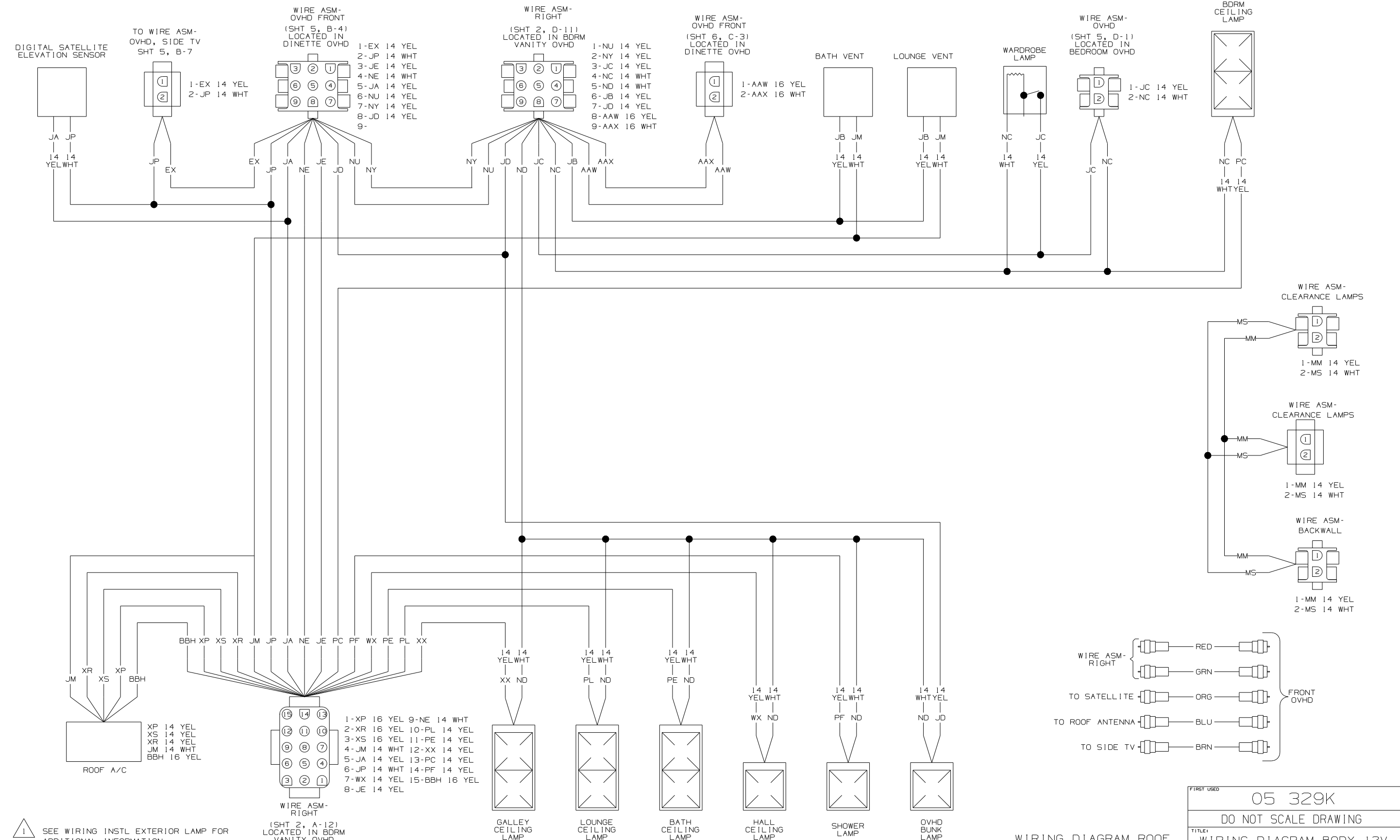


3 NOT A SPLICE POINT. INDICATES ENTRY TO WIRE HARNESS.

2 GROUNDS ARE SHOWN AS A SINGLE LINE FOR EASE IN TRACING. EACH GROUND WIRE IS SEPARATE FROM GROUND BARE OR STUD TO HOUSING OR DEVICES INCLUDED ON THAT PARTICULAR GROUND PATH.

1 LOCATED ON SHT 6, D8.

NOTES:

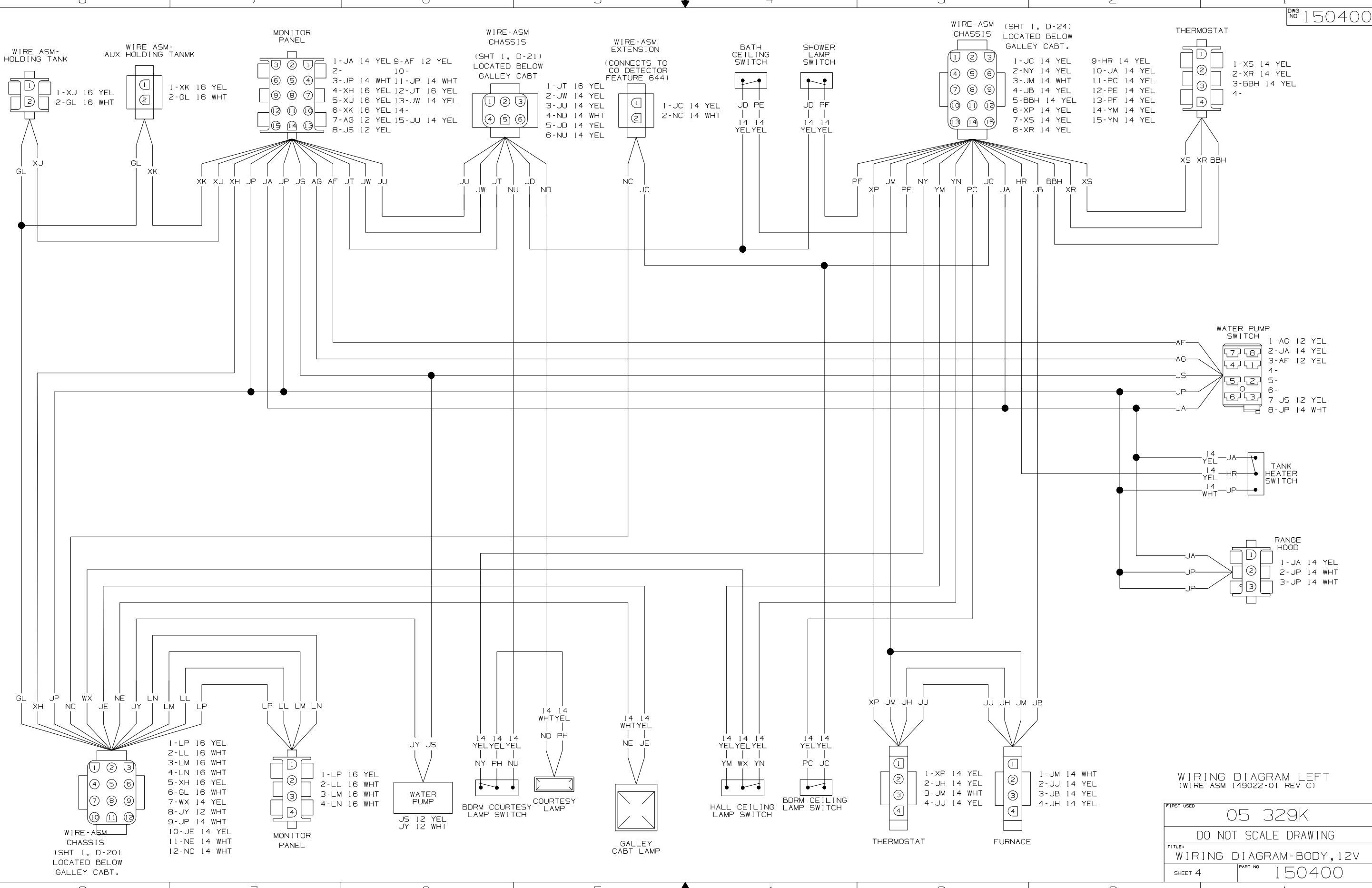


NOTES:

1 SEE WIRING INSTL EXTERIOR LAMP FOR ADDITIONAL INFORMATION.

WIRING DIAGRAM ROOF
(WIRE ASM 150392-01 REV A)

FIRST USED	05 329K
DO NOT SCALE DRAWING	
TITLE:	WIRING DIAGRAM-BODY, 12V
SHEET 3	PART NO 150400



WIRING DIAGRAM LEFT
(WIRE ASM 149022-01 REV C)

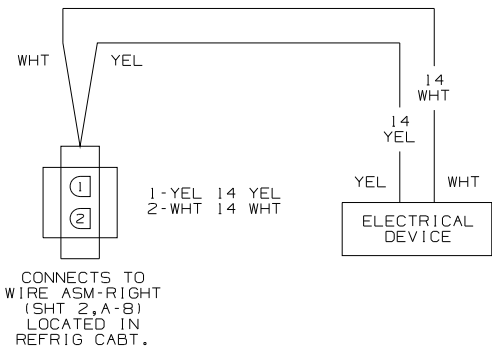
FIRST USED 05 329K

DO NOT SCALE DRAWING

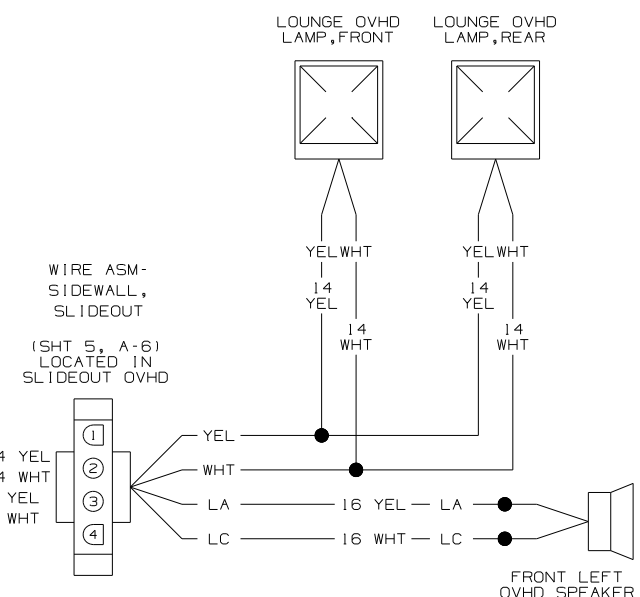
TITLE: WIRING DIAGRAM-BODY, 12V

SHEET 4 PART NO 150400

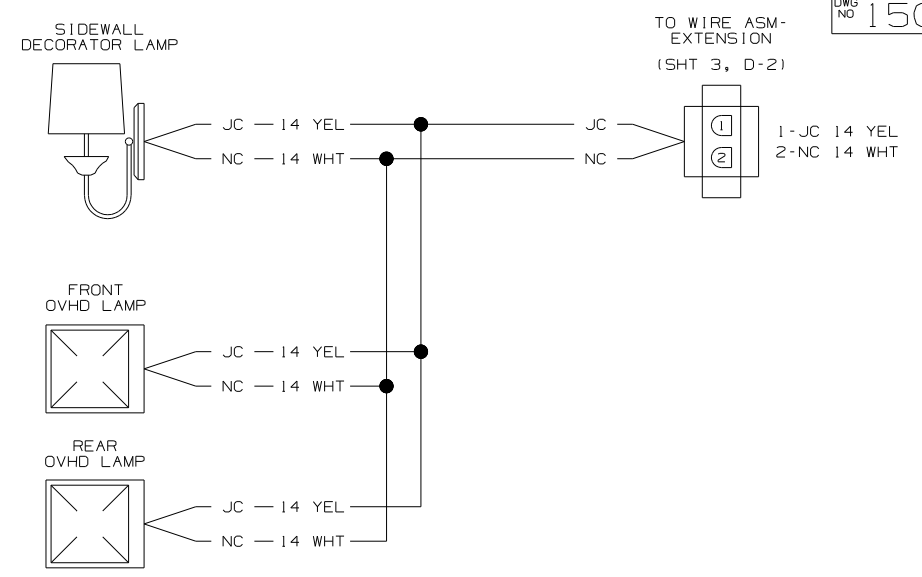
1 07/19/2004



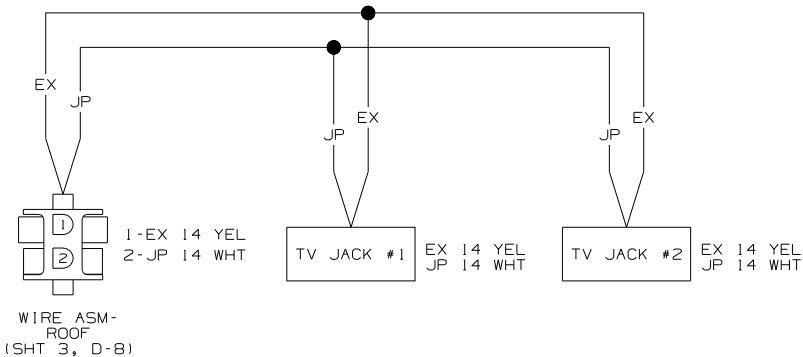
WIRING DIAGRAM-EXTENSION, 2 PIN
(WIRE ASM 133572-01)



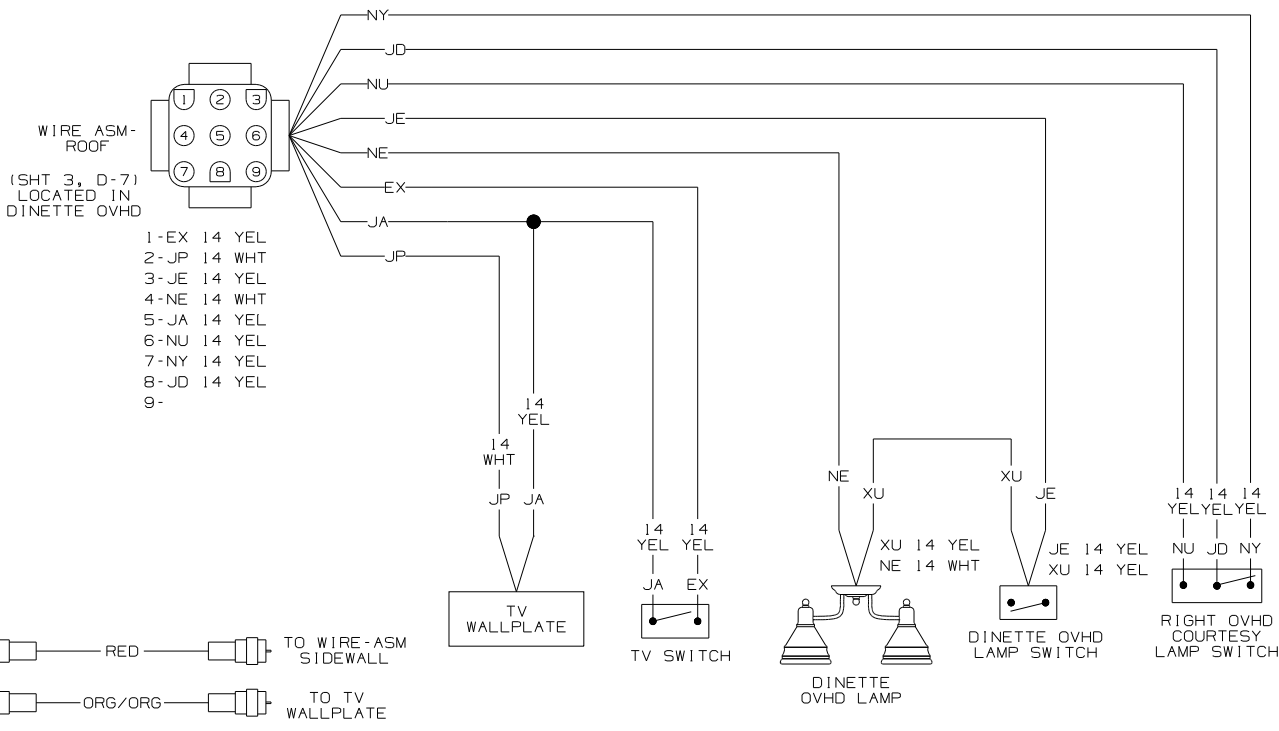
WIRING DIAGRAM OVHD,SLIDEOUT
(WIRE ASM 150395-01 REV A)



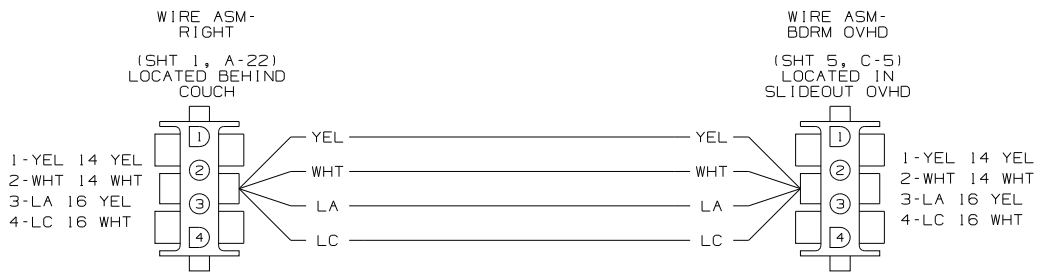
WIRING DIAGRAM OVHD
(WIRE ASM 127873-03 REV E)



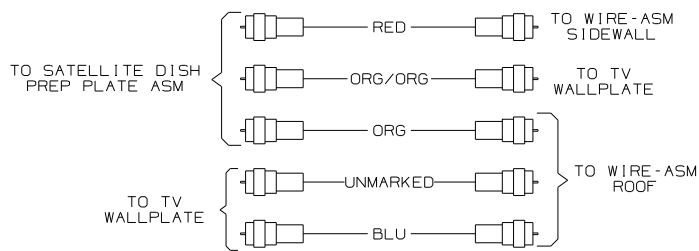
WIRING DIAGRAM OVHD,TV
(WIRE ASM 149050 REV A)



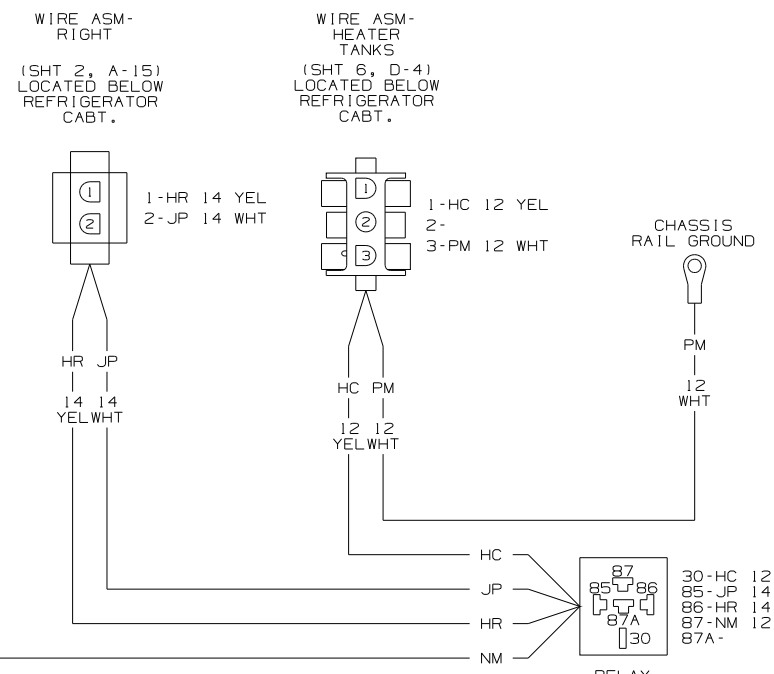
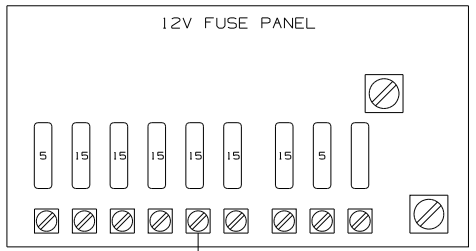
WIRING DIAGRAM OVHD,RIGHT
(WIRE ASM 149026 REV B)



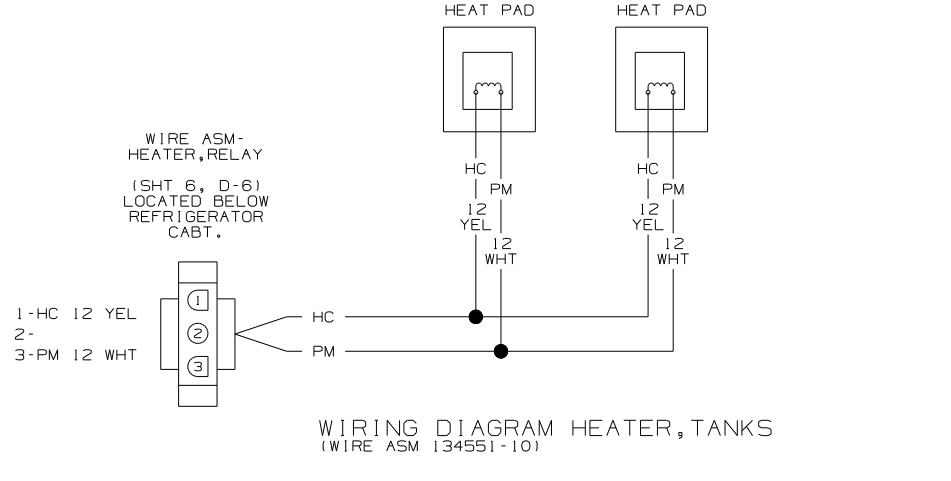
WIRING DIAGRAM SIDEWALL
(WIRE ASM 150394-01 REV A)



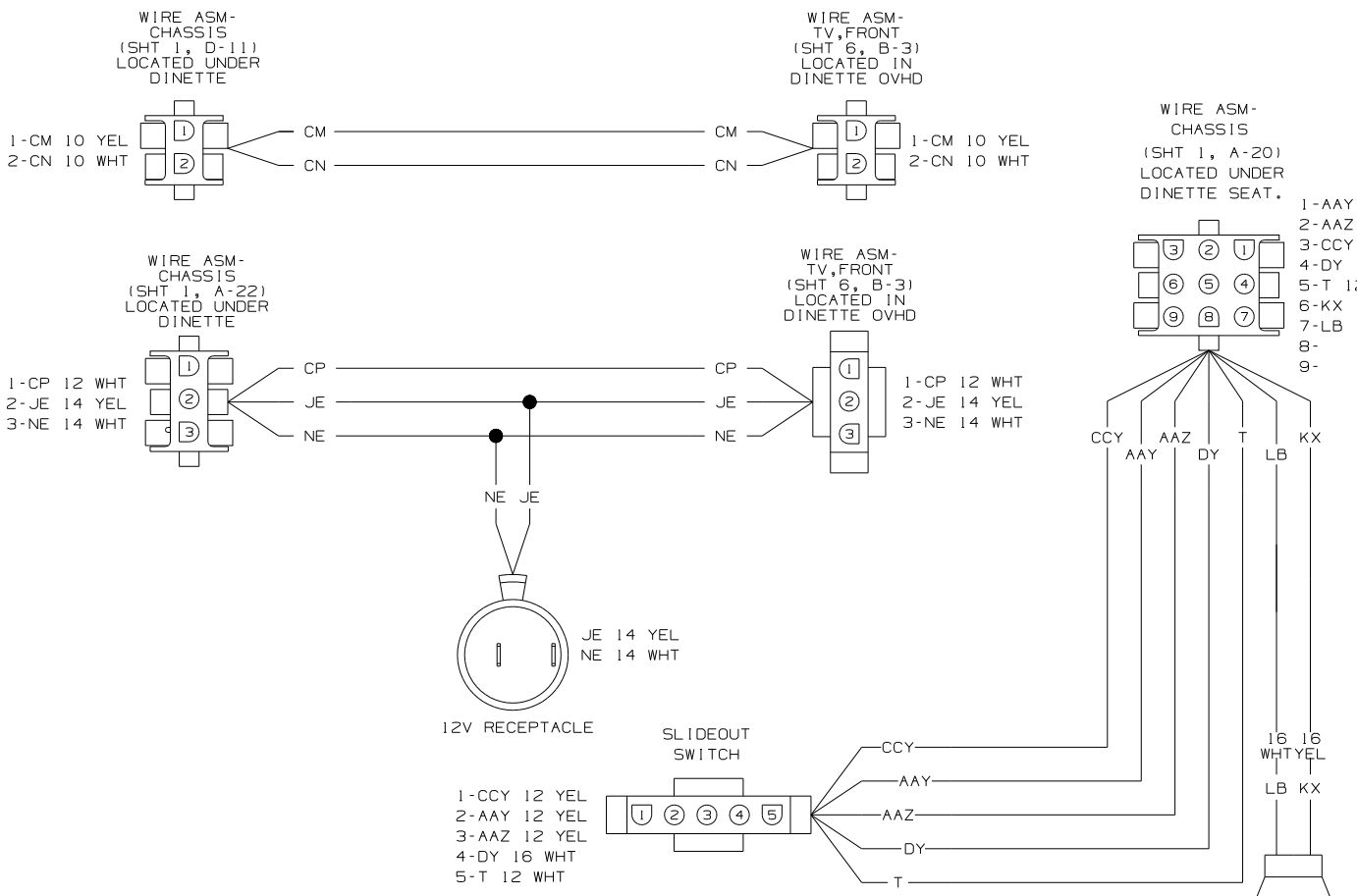
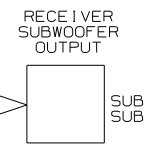
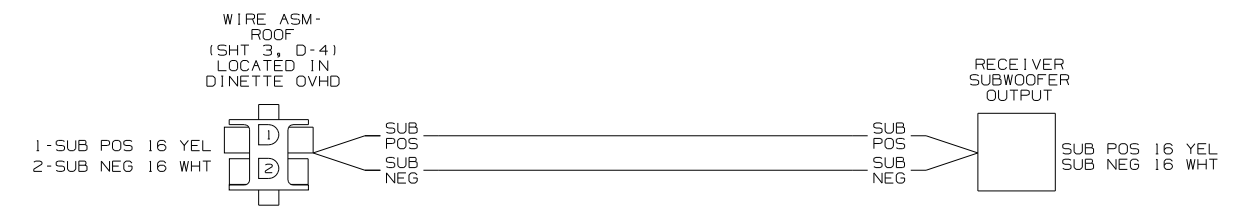
FIRST USED	05 329K
TITLE	DO NOT SCALE DRAWING
	WIRING DIAGRAM-BODY,12V
SHEET 5	PART NO 150400



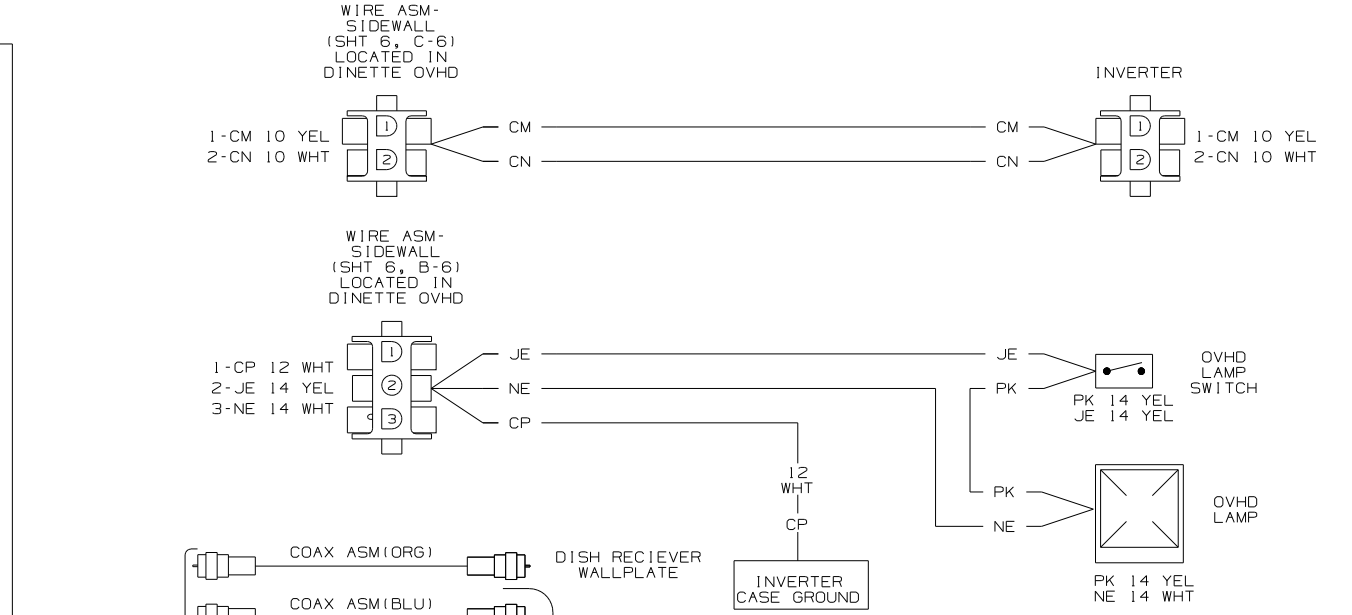
WIRING DIAGRAM HEATER, RELAY
(WIRE ASM 134550-01)



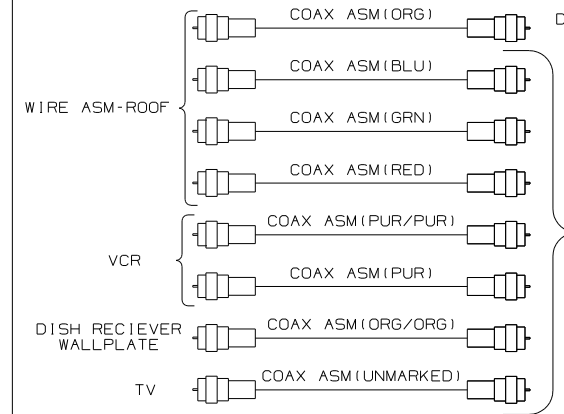
WIRING DIAGRAM HEATER, TANKS
(WIRE ASM 134551-10)



WIRING DIAGRAM SIDEWALL
(WIRE ASM 149009-01 REV-D)



WIRING DIAGRAM TV, FRONT
(WIRE ASM 148752-02 REV C) 42J



VIDEO SWITCHER

FIRST USED	05 329K
DO NOT SCALE DRAWING	
TITLE: WIRING DIAGRAM-BODY, 12V	
SHEET 6	PART NO 150400