



DANGER

Danger of electrical shock, burns or death. Always remove all power sources before attempting any repair, service or diagnostic work. Power can be present from shore power, generator, inverter or battery. All power sources must be disabled and secured before performing any service.

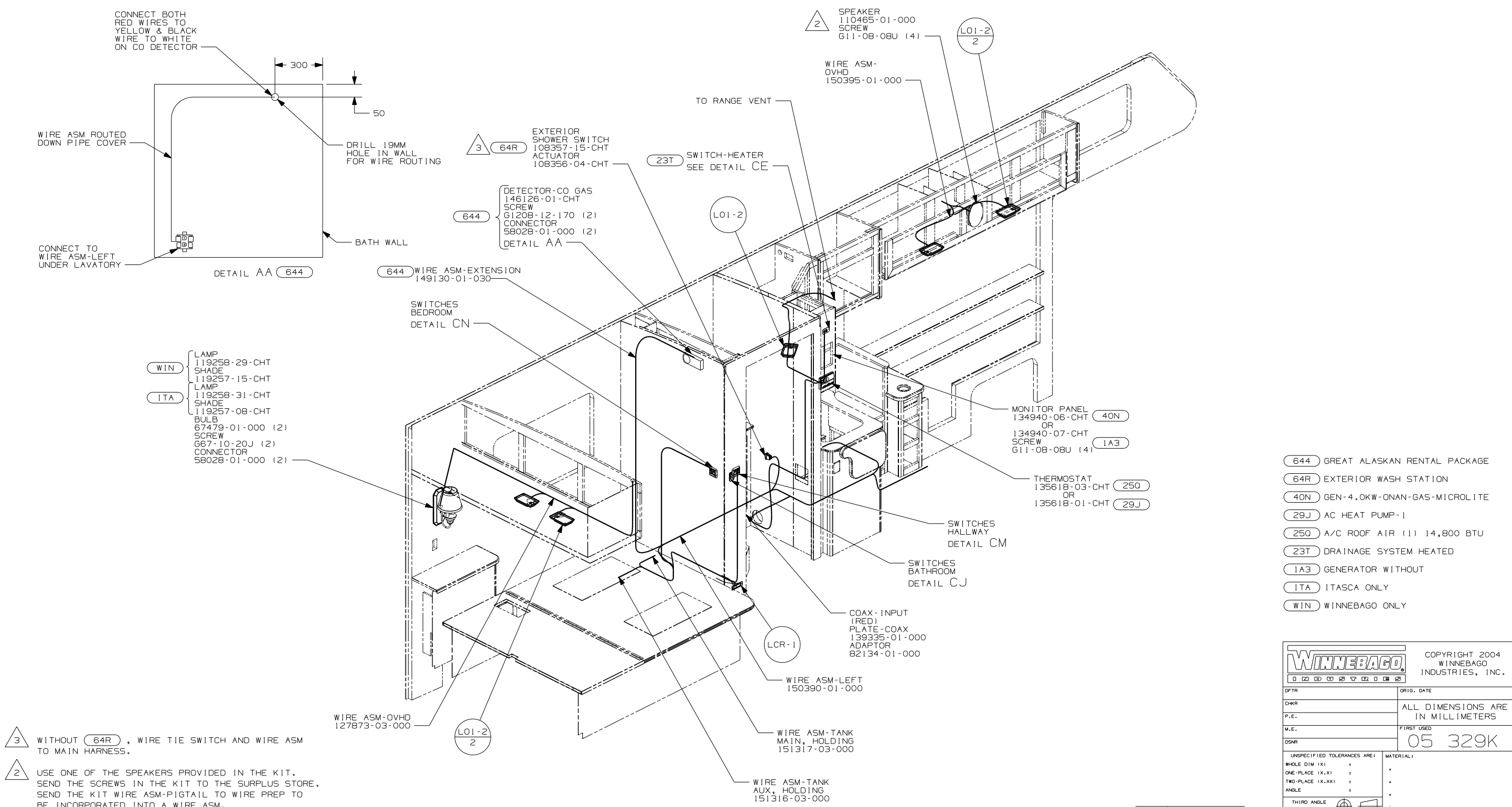


CAUTION

If you lack the skills, tools or equipment to perform diagnostic or repair work leave such work to an authorized Winnebago Industries dealer or other qualified shop.

DRAWING NO.	FEATURE
150262-01	(WIN)
150262-02	(ITA)

RELEASE	REV DATE	DWG NO
A		150262
REV ZONE	REVISION RECORD	DATE DFR-ORIG



- (WIN) LAMP 119258-29-CHT
- (WIN) SHADE 119257-15-CHT
- (ITA) LAMP 119258-31-CHT
- (ITA) SHADE 119257-08-CHT
- BULB 67479-01-000 (2)
- SCREW 667-10-20J (2)
- CONNECTOR 58028-01-000 (2)

- (644) GREAT ALASKAN RENTAL PACKAGE
- (64R) EXTERIOR WASH STATION
- (40N) GEN-4.0KW-ONAN-GAS-MICROLITE
- (29J) AC HEAT PUMP-1
- (250) A/C ROOF AIR (1) 14,800 BTU
- (23T) DRAINAGE SYSTEM HEATED
- (1A3) GENERATOR WITHOUT
- (ITA) ITASCA ONLY
- (WIN) WINNEBAGO ONLY

- 3 WITHOUT (64R), WIRE TIE SWITCH AND WIRE ASM TO MAIN HARNESS.
- 2 USE ONE OF THE SPEAKERS PROVIDED IN THE KIT. SEND THE SCREWS IN THE KIT TO THE SURPLUS STORE. SEND THE KIT WIRE ASM-PIGTAIL TO WIRE PREP TO BE INCORPORATED INTO A WIRE ASM.

1. ALL WIRES TO BE SECURED WITH CLAMP 10495-01-000 OR CLIP 80734-01-000 EVERY 600MM. USE SCREW 667-10-12B UNLESS OTHERWISE SPECIFIED.

NOTES:

(X-X) FOR ELECTRICAL CALLOUTS SEE DWG NO. 121339-01-000

WINNEBAGO COPYRIGHT 2004 WINNEBAGO INDUSTRIES, INC.

DFTR	ORIG. DATE
CHKR	ALL DIMENSIONS ARE IN MILLIMETERS
P.E.	
M.E.	FIRST USED
DSNR	05 329K

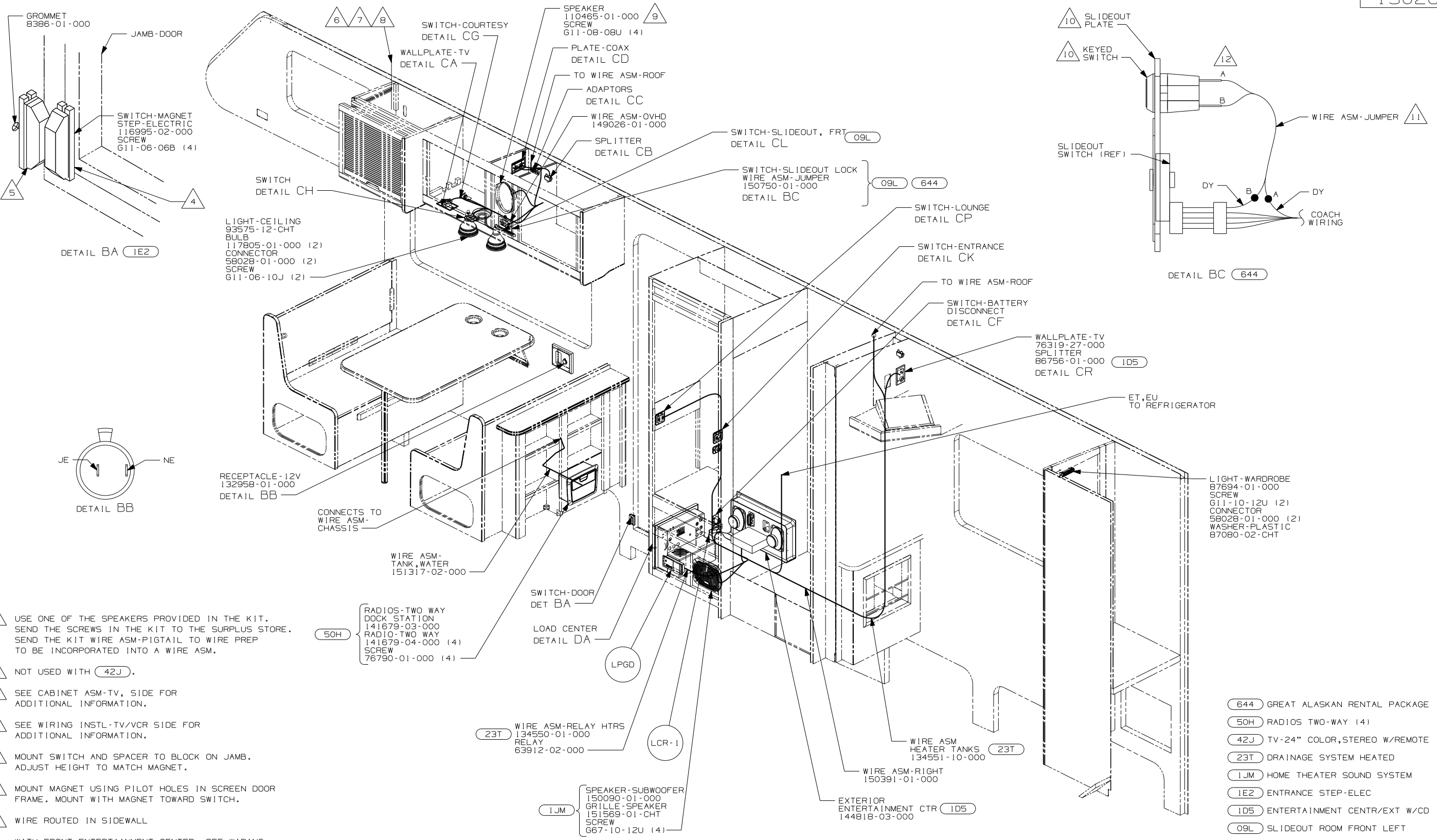
UNSPECIFIED TOLERANCES ARE:	MATERIAL:
HOLE DIM (X)	:
ONE-PLACE (X.X)	:
TWO-PLACE (X.XX)	:
ANGLE	:
THIRD ANGLE PROJECTION	⊕

DO NOT SCALE DRAWING

TITLE: WIRING INSTL-BODY, 12V

SHEET 1 OF 5 PART NO 150262

REF: 147833-C | 7/5/2004



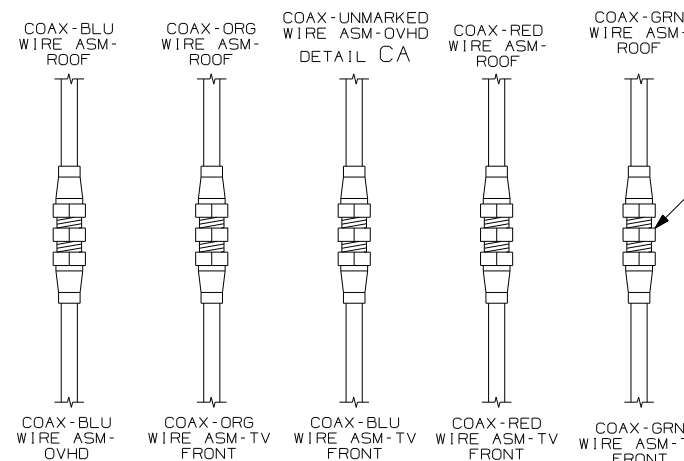
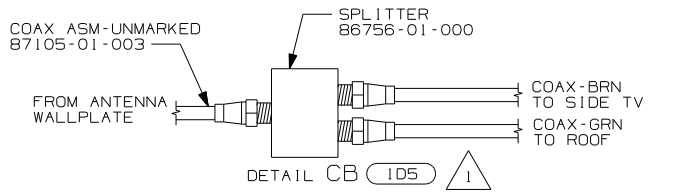
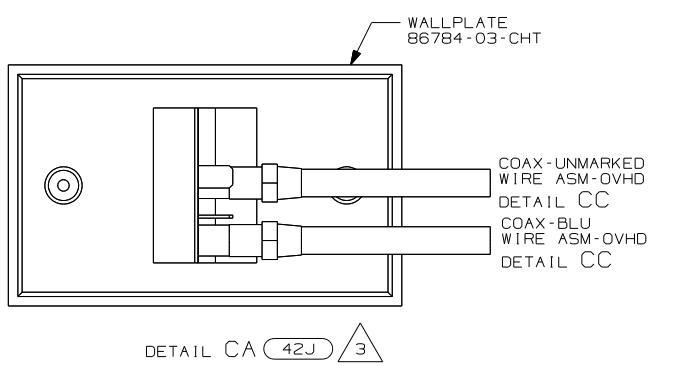
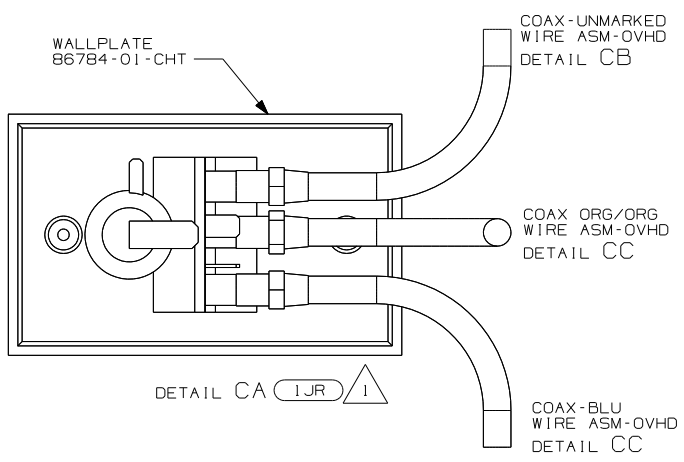
- 9 USE ONE OF THE SPEAKERS PROVIDED IN THE KIT. SEND THE SCREWS IN THE KIT TO THE SURPLUS STORE. SEND THE KIT WIRE ASM-PIGTAIL TO WIRE PREP TO BE INCORPORATED INTO A WIRE ASM.
 - 8 NOT USED WITH (42J).
 - 7 SEE CABINET ASM-TV, SIDE FOR ADDITIONAL INFORMATION.
 - 6 SEE WIRING INSTL-TV/VCR SIDE FOR ADDITIONAL INFORMATION.
 - 5 MOUNT SWITCH AND SPACER TO BLOCK ON JAMB. ADJUST HEIGHT TO MATCH MAGNET.
 - 4 MOUNT MAGNET USING PILOT HOLES IN SCREEN DOOR FRAME. MOUNT WITH MAGNET TOWARD SWITCH.
 - 3 WIRE ROUTED IN SIDEWALL
2. WITH FRONT ENTERTAINMENT CENTER, SEE WIRING INSTL-TV/VCR, FRONT FOR MORE INFORMATION.
1. ALL WIRES TO BE SECURED WITH CLAMP 10495-01-000 OR CLIP 80734-01-000 EVERY 600MM. USE SCREW 667-10-12B UNLESS OTHERWISE SPECIFIED.

- 12 REMOVE TERMINALS (SUPPLIED WITH KEY SWITCH), CRIMP ON TO WIRE ASM-JUMPER, AND RECONNECT TO KEY SWITCH.
- 11 CUT CIRCUIT BY GOING TO SLIDEOUT SWITCH HOUSING AND RECONNECT AS SHOWN.
- 10 SUPPLIED BY GREAT ALASKAN RENTAL COMPANY.

- (644) GREAT ALASKAN RENTAL PACKAGE
- (50H) RADIOS TWO-WAY (4)
- (42J) TV-24" COLOR, STEREO W/REMOTE
- (23T) DRAINAGE SYSTEM HEATED
- (1JM) HOME THEATER SOUND SYSTEM
- (IE2) ENTRANCE STEP-ELEC
- (1D5) ENTERTAINMENT CENTR/EXT W/CD
- (09L) SLIDEOUT ROOM FRONT LEFT

FOR ELECTRICAL CALLOUTS SEE DWG NO. 121339-01-000

FIRST USED	05 329K
TITLE	DO NOT SCALE DRAWING
	WIRING INSTL-BODY, 12V
SHEET 2	PART NO 150262



NOTES:

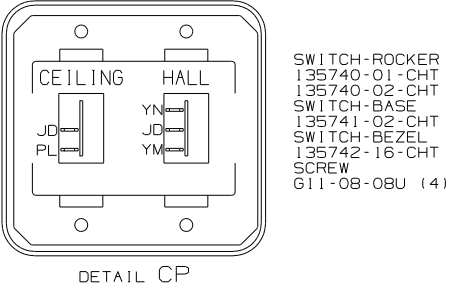
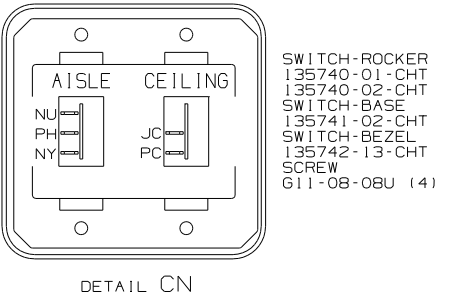
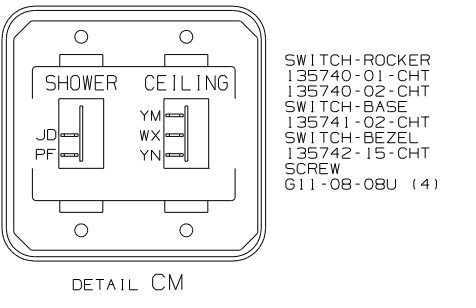
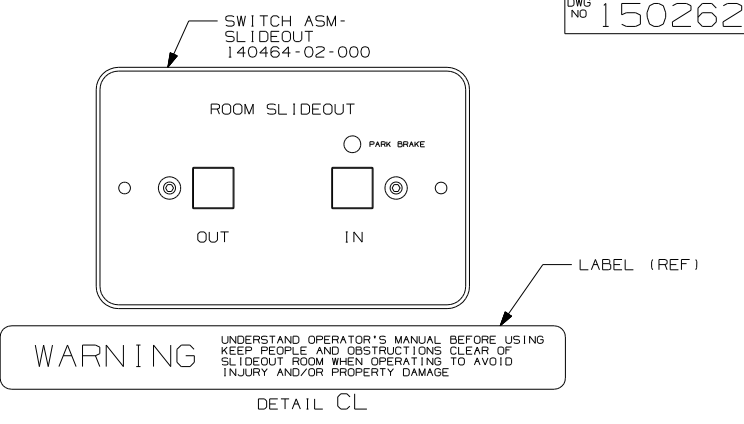
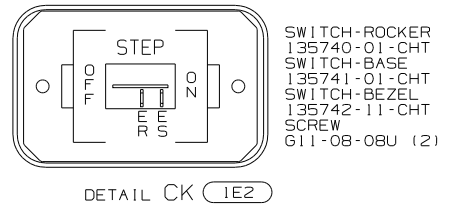
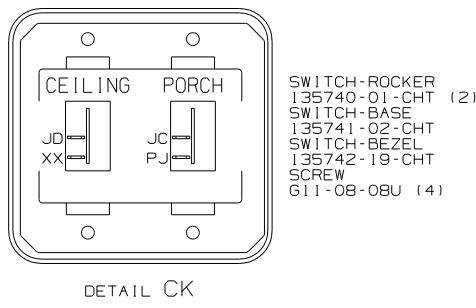
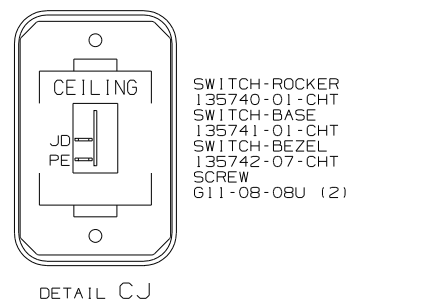
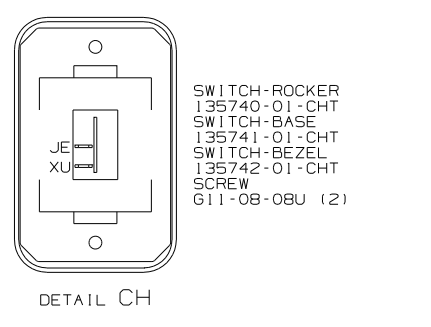
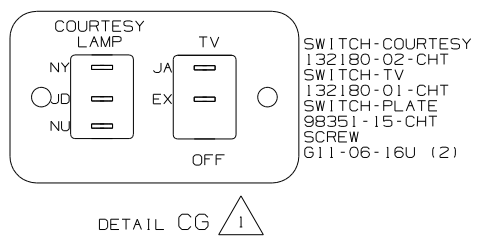
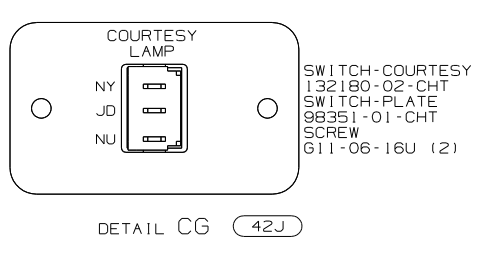
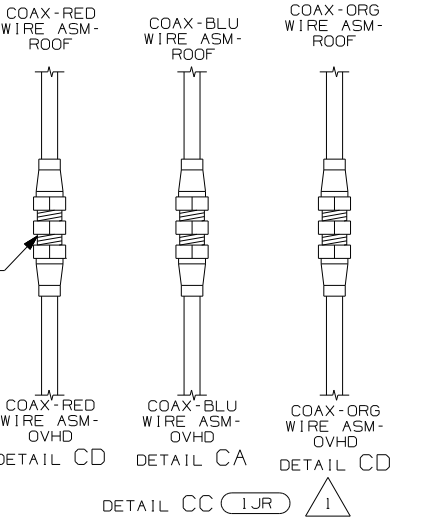
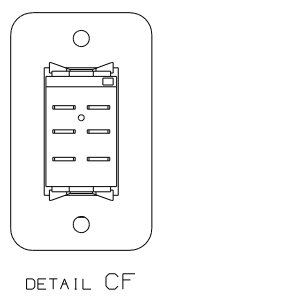
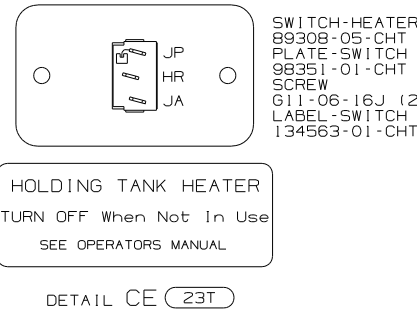
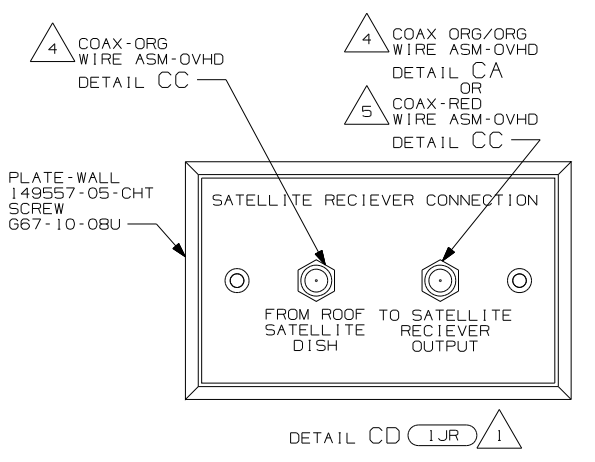
3 NOT USED WITH 1JR.

2 WITHOUT 1D5 USE ADAPTOR TO CONNECT GRN COAX FROM WIRE ASM-ROOF TO GRN COAX FRM WIRE ASM-RIGHT.

1 NOT USED WITH 43B.

5 CONNECT COAX TO FRONT SIDE OF WALLPLATE.

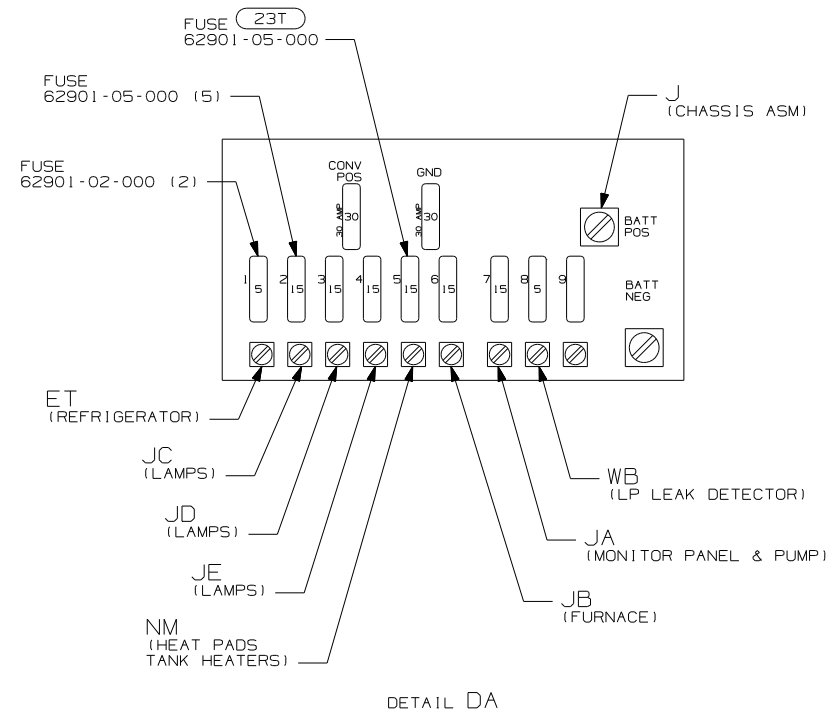
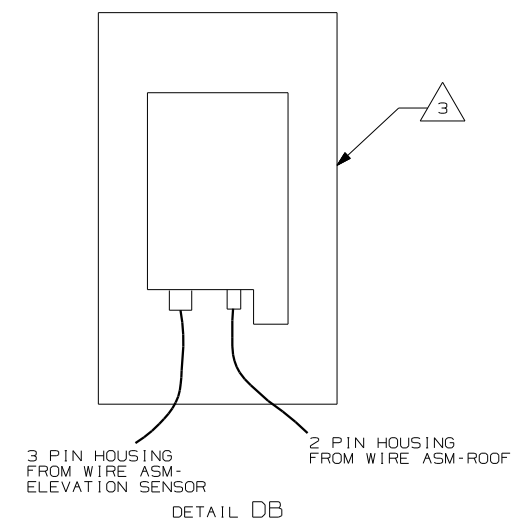
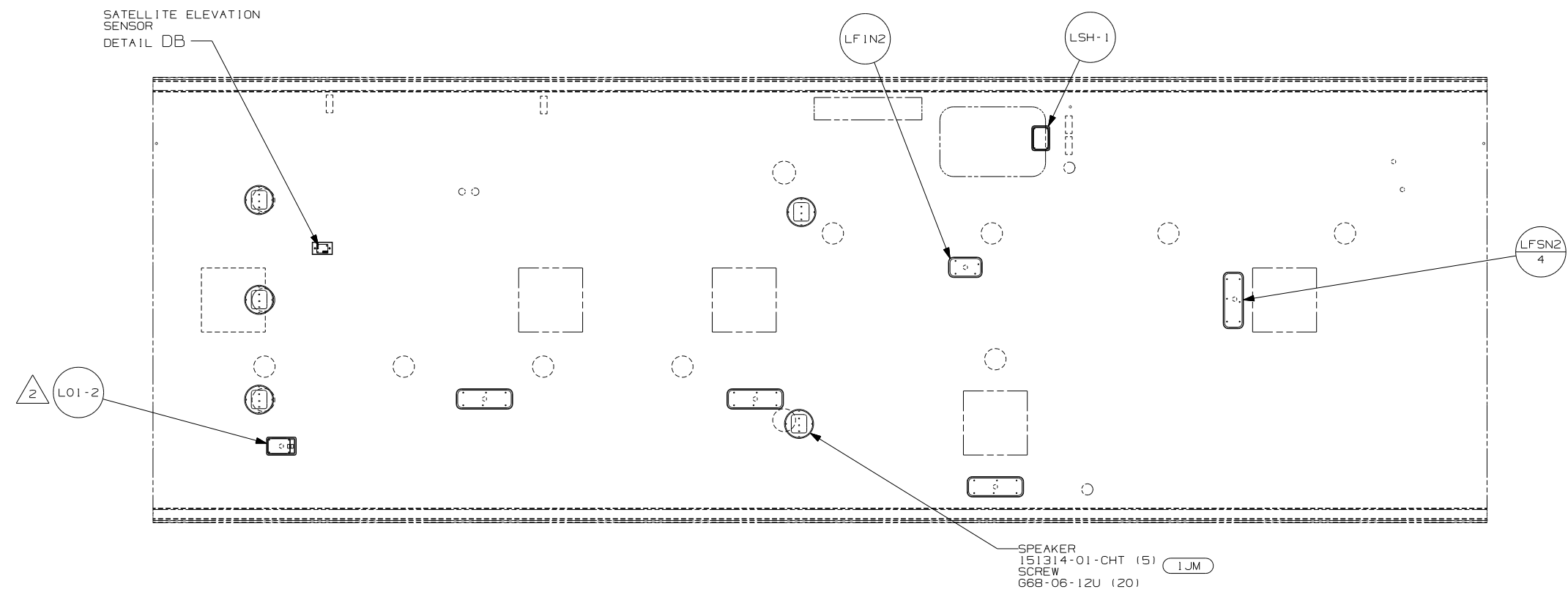
4 CONNECT COAX TO BACK SIDE OF WALLPLATE.



- 42J TV-24" COLOR,STEREO W/REMOTE
- 23T DRAINAGE SYSTEM-HEATED
- 1JR TV-13" W/DVD-12V
- 1E2 ENTRANCE STEP-ELEC.
- 1D5 ENTERTAINMENT CENTR/EXT W/CD

X-X FOR ELECTRICAL CALLOUTS SEE DWG NO. 121339-01-000

FIRST USED	05 329K
DO NOT SCALE DRAWING	
TITLE:	WIRING INSTL-BODY, 12V
SHEET 3	PART NO 150262

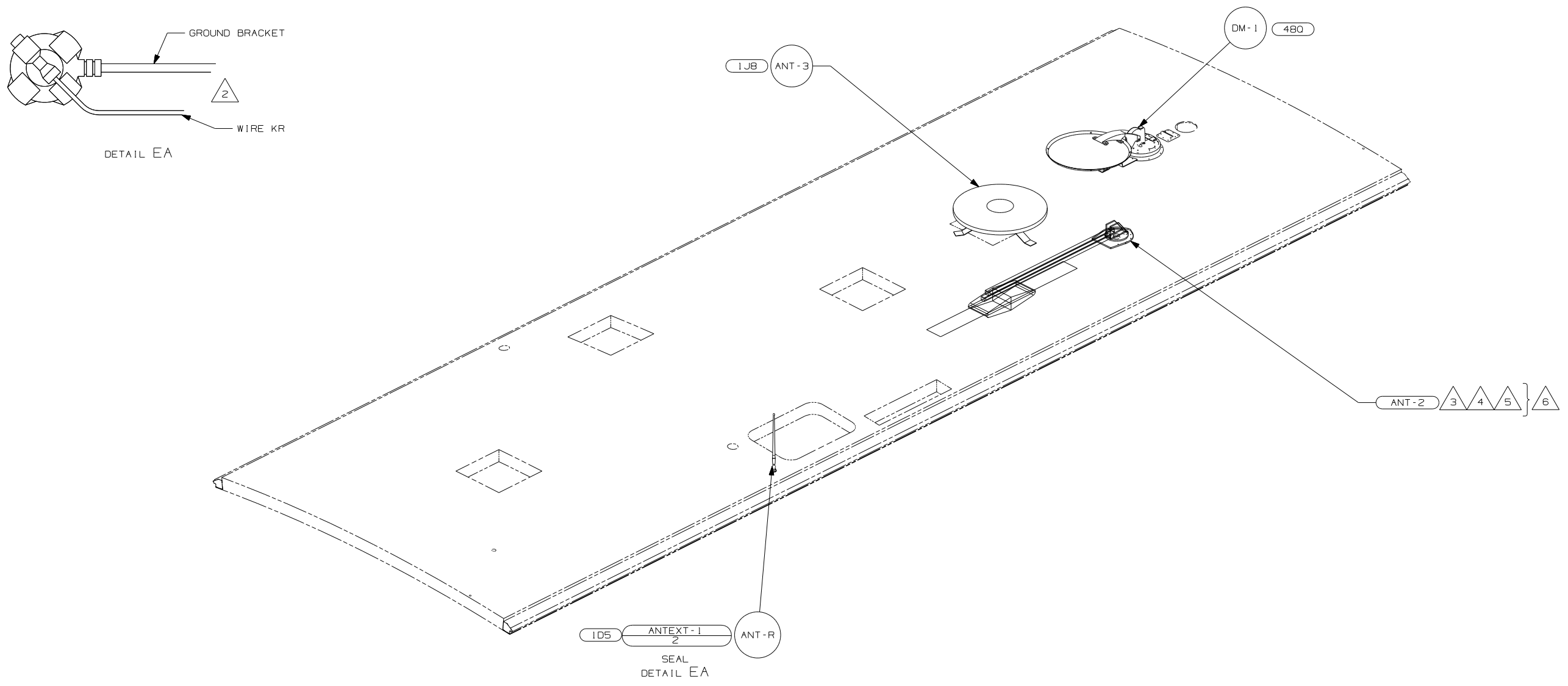


- (1JM) HOME THEATER SOUND SYSTEM
- (42J) TV-24" COLOR, STEREO W/REMOTE
- (23T) DRAINAGE SYSTEM-HEATED

3 SENSOR SUPPLIED WITH SATELLITE ASSEMBLY.
 2 NOT USED WITH (42J).
 1. SEE ROOF ASSEMBLY FOR ADDITIONAL INFORMATION.

X-X FOR ELECTRICAL CALLOUTS SEE DWG NO. 121339-01-000

FIRST USED	05 329K
DO NOT SCALE DRAWING	
TITLE	WIRING INSTL-BODY, 12V
SHEET 4	PART NO 150262



- △ 6 NOT USE WITH 1J8 .
- △ 5 ADD RUBBER BUMPER TO ROOF UNDER EACH END OF ANTENNA IN DOWN POSITION WHICH MAY COME INTO CONTACT WITH ROOF.
- △ 4 LOCATE CLAMP TO RETAIN CABLE BUT NOT TO RESTRICT ANTENNA TRAVEL.
- △ 3 SEE DRAWING 76319-01-000 FOR INSTALLATION OF TV ANTENNA.
- △ 2 WRAP BRACKET LEGS AROUND ANTENNA BASE.

1. CONNECTOR-PLUG, TRAILER 113589-01-000 TO BE SUPPLIED LOOSE IN COACH WITH TRAILER TOW PACKAGE.

NOTES:

- 1D5 ENTERTAINMENT CENTR/EXT W/CD
- 1J8 TV ANTENNA-OMNIDIRECTIONAL
- 480 SATELLITE DISH

FOR ELECTRICAL CALLOUTS SEE DWG NO. 121339-01-000

FIRST USED	05 329K
DO NOT SCALE DRAWING	
TITLE:	WIRING INSTL-BODY, 12V
SHEET 5	PART NO 150262