



DANGER

Danger of electrical shock, burns or death. Always remove all power sources before attempting any repair, service or diagnostic work. Power can be present from shore power, generator, inverter or battery. All power sources must be disabled and secured before performing any service.

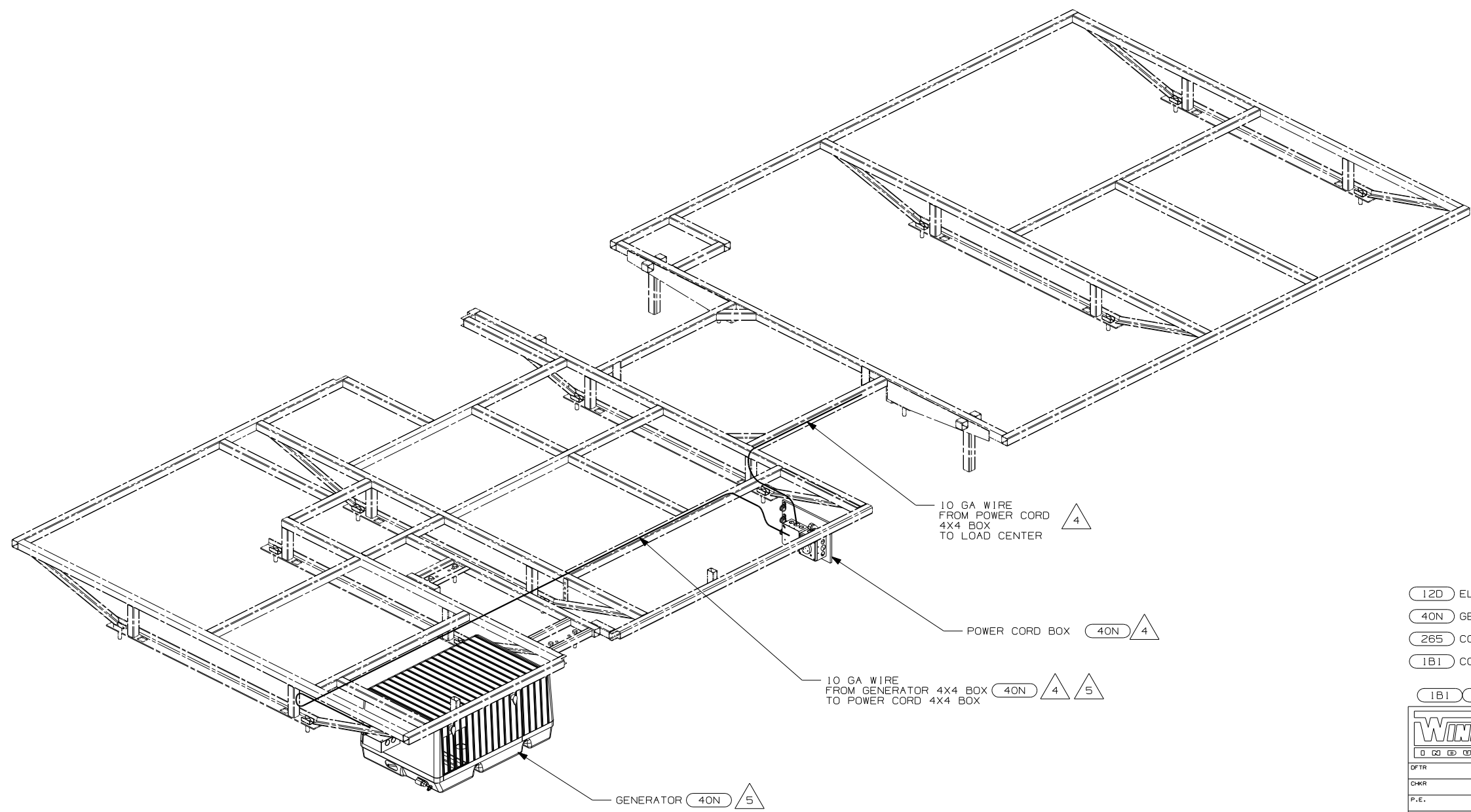


CAUTION

If you lack the skills, tools or equipment to perform diagnostic or repair work leave such work to an authorized Winnebago Industries dealer or other qualified shop.

DRAWING NO.	FEATURE
150261-01	
150261-11	(1B1) (12D)
150261-15	(265) (12D)

RELEASE	REV DATE	DWG NO	150261
REV ZONE	REVISION RECORD	DATE	DFTR-ORIG



- (12D) ELECTRICAL SYSTEM 30 AMP
- (40N) GEN-4.0KW-ONAN-GAS-MICROLITE
- (265) CODES/STANDARDS-CSA-CMVSS
- (1B1) CODES/STANDARDS USA

(1B1) (265) (12D)

WINNEBAGO COPYRIGHT 2004 WINNEBAGO INDUSTRIES, INC.

DFTR	ORIG. DATE
CHKR	ALL DIMENSIONS ARE IN MILLIMETERS
P.E.	
M.E.	FIRST USED
DSNR	05 329K

UNSPECIFIED TOLERANCES ARE: MATERIAL:

WHOLE DIM (X) :
ONE-PLACE (X.X) :
TWO-PLACE (X.XX) :
ANGLE :

THIRD ANGLE PROJECTION

DO NOT SCALE DRAWING

TITLE: WIRING INSTL-BODY, 110V

SHEET 1 OF 3 PART NO 150261

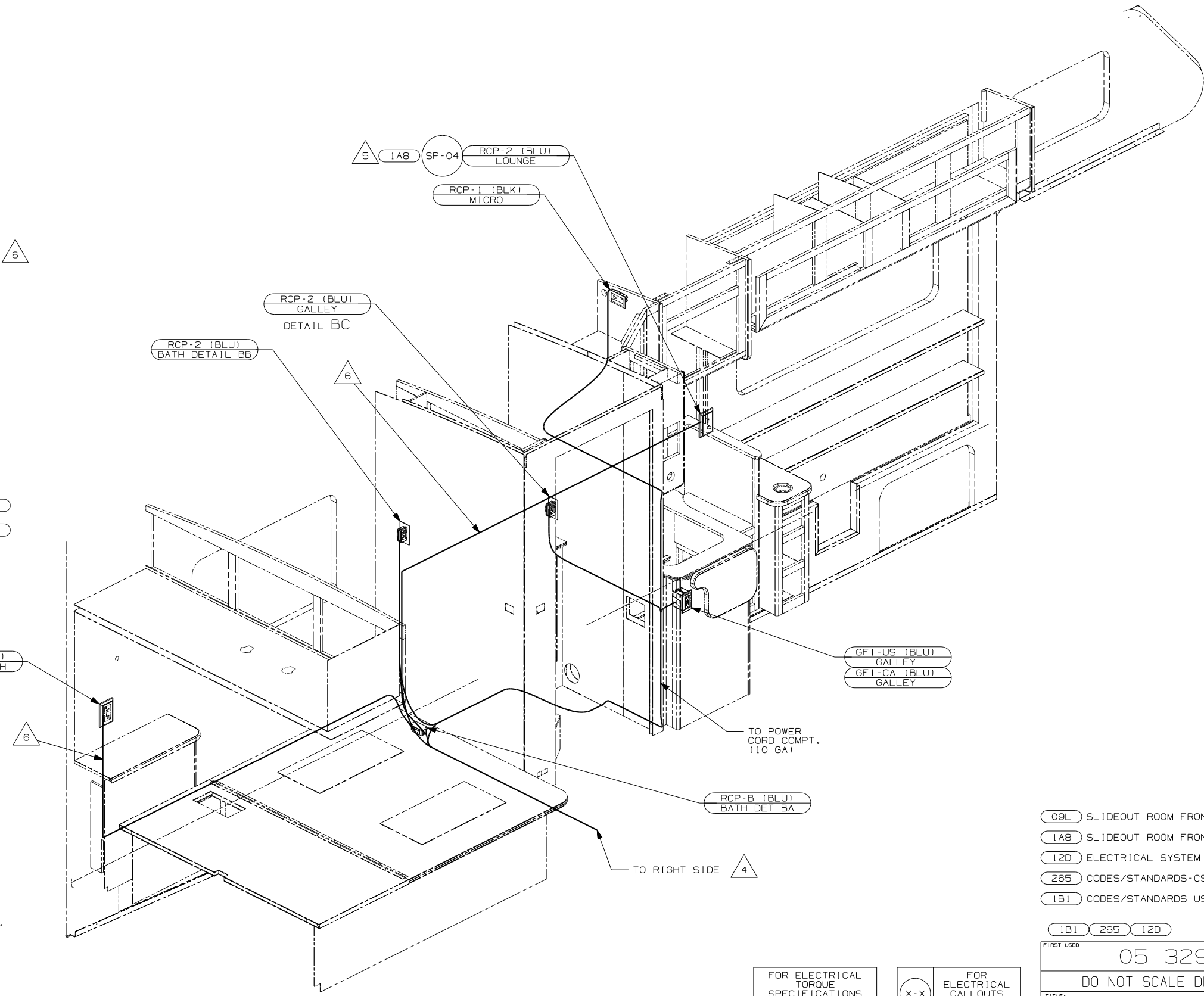
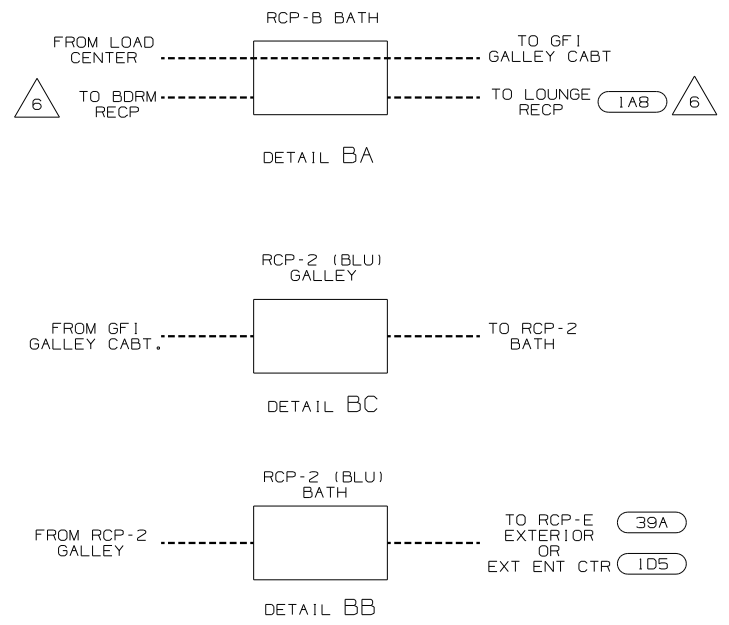
REF: 47834-A | 04/22/2004

- NOTES:
- ALL WIRES TO BE SECURED WITH CLAMP 10495-01-000 OR CLIP 80734-01-000 EVERY 600MM. USE SCREW G67-10-12B UNLESS OTHERWISE SPECIFIED.
 - ALL 110V WIRE ARE TO BE CLAMPED WITH CLAMP 10497-05-000 WITHIN 200 OF OUTLET BOXES, USE SCREW G67-10-12B.
 - ALL GROUND WIRES TO BE COVERED WITH TUBING 8041-02-000.

(5) SEE GENERATOR INSTL. FOR ADDITIONAL INFORMATION.
(4) SEE LOAD CENTER INSTL. FOR ADDITIONAL INFORMATION.

FOR ELECTRICAL TORQUE SPECIFICATIONS SEE DWG NO. 128783-01-000

(X-X) FOR ELECTRICAL CALLOUTS SEE DWG NO. 121339-01-000



- 6 WIRE ROUTED IN SIDEWALL
- 5 NOT USED WITH 09L
- 4 WIRE ROUTED IN FLOOR.

3. ALL GROUND WIRES TO BE COVERED WITH TUBING 8041-02-000.
2. ALL WIRING TO BE SECURED WITHIN 200 OF OUTLET BOXES.
1. ALL WIRES TO BE SECURED WITH CLAMP 10495-01-000 OR CLIP 80734-01-000 EVERY 600MM. USE SCREW 667-10-12B UNLESS OTHERWISE SPECIFIED.

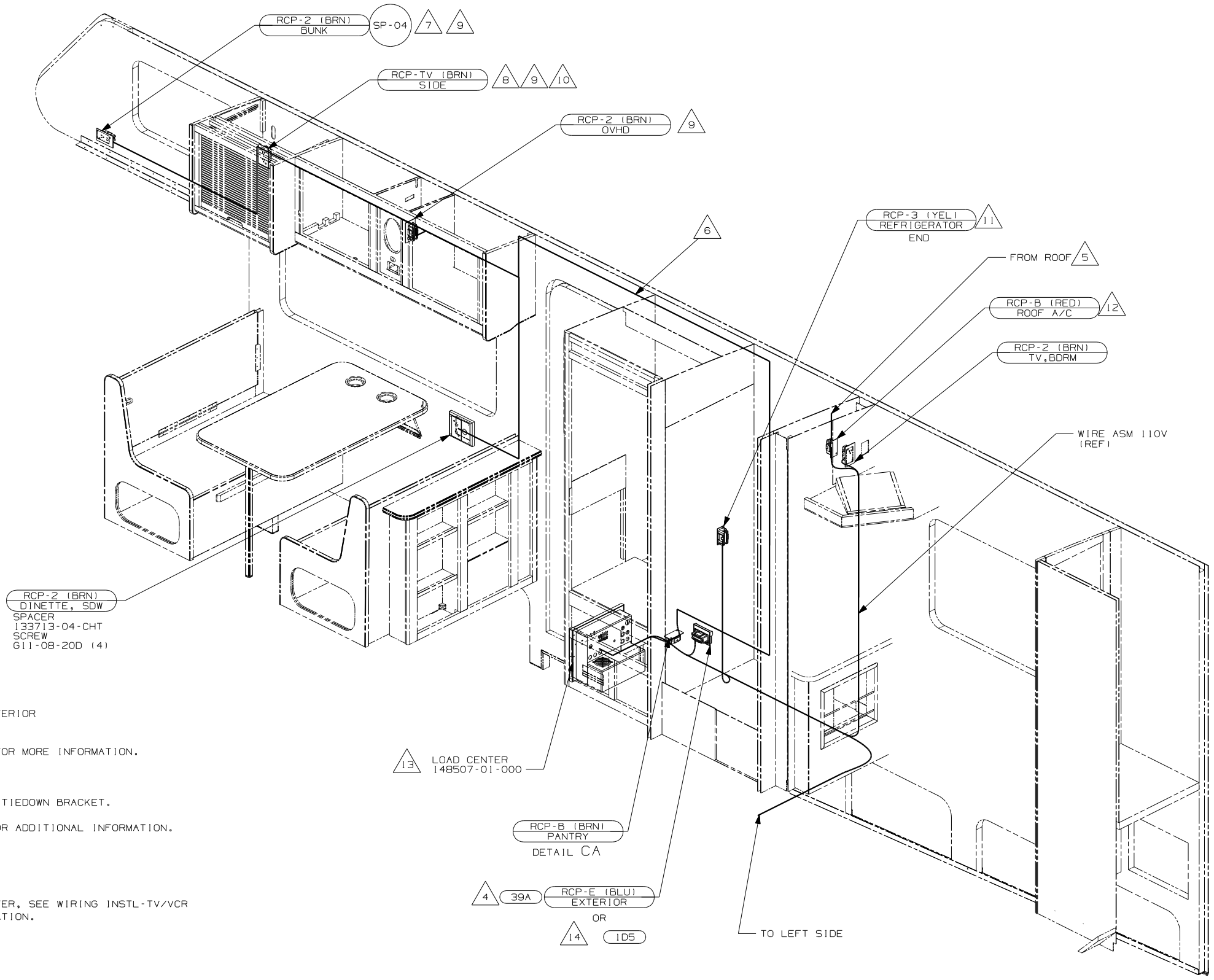
NOTES:

FOR ELECTRICAL TORQUE SPECIFICATIONS SEE DWG NO. 128783-01-000

FOR ELECTRICAL CALLOUTS SEE DWG NO. 121339-01-000

- 09L SLIDEOUT ROOM FRONT LEFT
- 1A8 SLIDEOUT ROOM FRONT LEFT WO
- 12D ELECTRICAL SYSTEM 30 AMP
- 265 CODES/STANDARDS-CSA/CMVSS
- 1B1 CODES/STANDARDS USA

FIRST USED	05 329K
DO NOT SCALE DRAWING	
TITLE:	WIRING INSTL-BODY, 110V
SHEET 2	PART NO 150261



- 14 SEE ENTERTAINMENT CENTER-EXTERIOR FOR ADDITIONAL INFORMATION.
- 13 SEE LOAD CENTER/ATS INSTL. FOR MORE INFORMATION.
- 12 SEE WIRING INSTL-ROOF, AC
- 11 LOCATE REFRIGERATOR RECP ON TIEDOWN BRACKET.
- 10 SEE WIRING INSTL-TV, SIDE FOR ADDITIONAL INFORMATION.
- 9 NOT USED WITH (42J).
- 8 NOT USED WITH (1JR).
- 7 WITH FRONT ENTERTAINMENT CENTER, SEE WIRING INSTL-TV/VCR FRONT FOR ADDITIONAL INFORMATION.
- 6 WIRE ROUTED IN SIDEWALL.
- 5 WIRE ROUTED IN ROOF.
- 4 NOT USED WITH (1D5).

3. ALL GROUND WIRES TO BE COVERED WITH TUBING 8041-02-000.
2. ALL WIRING TO BE SECURED WITHIN 200 OF OUTLET BOXES.
1. ALL WIRES TO BE CLAMPED WITH CLAMP 10495-01-000 OR CLIP 80734-01-000 EVERY 1200. USE SCREW G67-10-12B UNLESS OTHERWISE SPECIFIED.

- (265) CODES/STANDARDS-CSA/CMVSS
- (42J) TV-24" COLOR, STEREO W/REMOTE
- (39A) EXT RECEPTACLE DPLX 120VAC
- (12D) ELECTRICAL SYSTEM 30 AMP
- (1JR) TV-13" W/DVD-12V
- (1D5) ENTERTAINMENT CENTR/EXT W/CD
- (1B1) CODES/STANDARDS USA

FIRST USED	
05 329K	
DO NOT SCALE DRAWING	
TITLE:	
WIRING INSTL-BODY, 110V	
SHEET 3	PART NO
	150261

FOR ELECTRICAL TORQUE SPECIFICATIONS SEE DWG NO. 128783-01-000

FOR ELECTRICAL CALLOUTS SEE DWG NO. 121339-01-000

NOTES: