

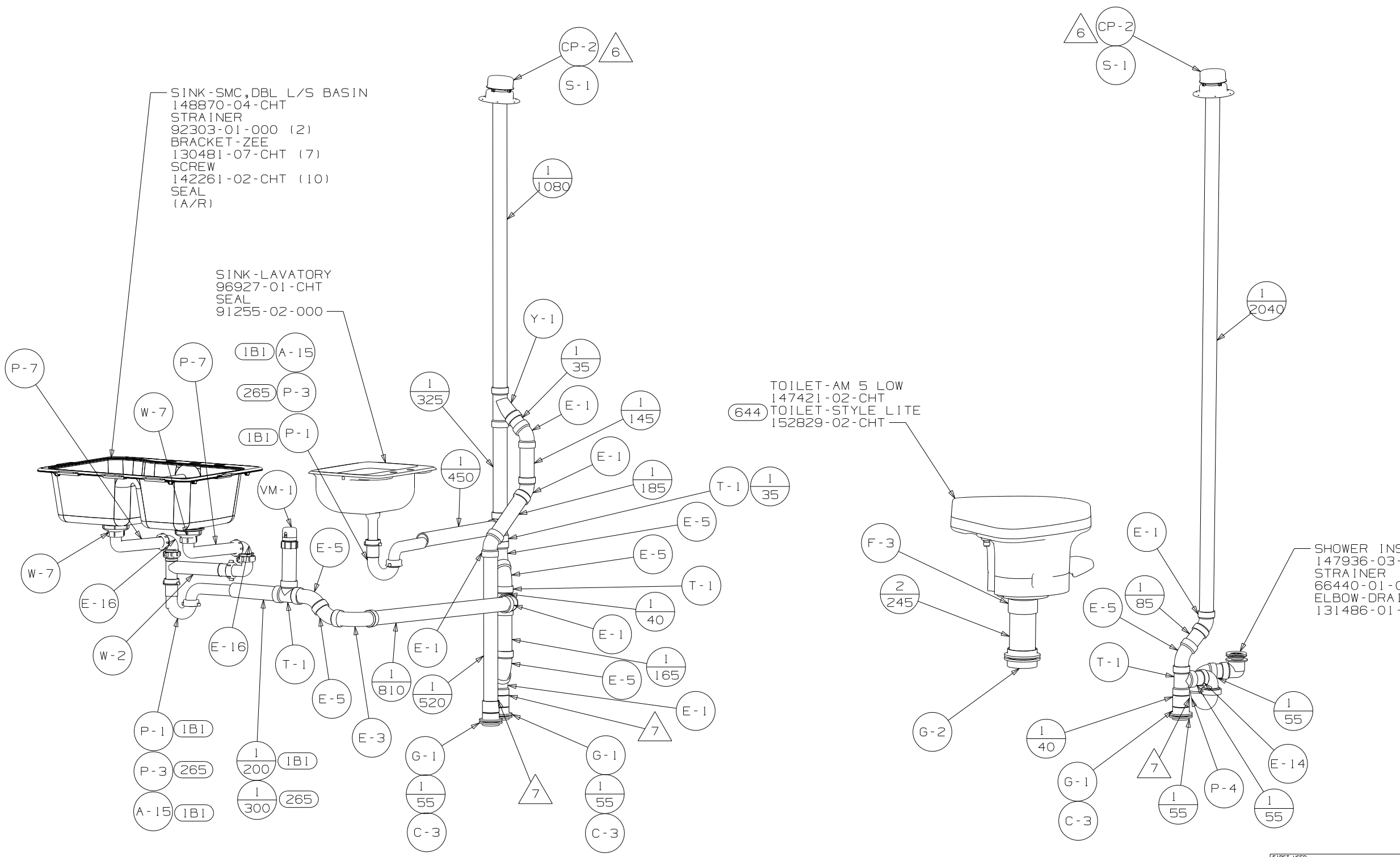
9. SEE WIRING INSTL-BODY, 12V FOR ELECTRICAL CONNECTION.
8. SECURE PIPES TO CABINET USING WIRE TIE 108046-02-000 AND SCREW G67-10-12B.
7. SECURE VENT TO FLOOR WITH BRACKET 136878-01-CHT CLAMP 62401-02-000, SCREW G67-10-12B.
6. VENT PIPE MUST PROJECT 51 MIN AND 64 MAX ABOVE ROOF FOR PROPER FIT AND FUNCTION.
5. SEAL AROUND SHOWER WITH SILICONE.
4. ALL EXTERIOR OPENINGS AROUND PIPE TO BE SEALED WITH 110744-01-000.
3. ALL PIPE AND FITTINGS TO BE ASSEMBLED WITH SOLVENT 4020-01-000.
2. SLOPE OF TRAP ARM MUST BE 6 PER 305 mm.
1. SLOPE OF HORIZONTAL PIPING TO BE MIN 6 PER 305 mm.

644 GREAT ALASKAN RENTAL PACKAGE

WINNEBAGO		COPYRIGHT 2004 WINNEBAGO INDUSTRIES, INC.	
DFTR	ORIG. DATE	ALL DIMENSIONS ARE IN MILLIMETERS	
CHKR		FIRST USED	
P.E.		05 329K	
M.E.		UNSPECIFIED TOLERANCES ARE:	
DSNR		MATERIAL:	
		WHOLE DIM (X)	: 3
		ONE-PLACE (X.X)	:
		TWO-PLACE (X.XX)	:
		ANGLE	:
		THIRD ANGLE PROJECTION	
DO NOT SCALE DRAWING			
TITLE: DRAINAGE SYSTEM INSTL			
SHEET 1 OF 3		PART NO 150220	

FOR DRAINAGE CALLOUTS SEE DWG NO 116229-01-000

NOTES:



SINK-SMC, DBL L/S BASIN
 148870-04-CHT
 STRAINER
 92303-01-000 (2)
 BRACKET-ZEE
 130481-07-CHT (7)
 SCREW
 142261-02-CHT (10)
 SEAL
 (A/R)

SINK-LAVATORY
 96927-01-CHT
 SEAL
 91255-02-000

TOILET-AM 5 LOW
 147421-02-CHT
 TOILET-STYLE LITE
 152829-02-CHT

SHOWER INSTL
 147936-03-000
 STRAINER
 66440-01-000
 ELBOW-DRAIN
 131486-01-000

VIEW A

VIEW B

FIRST USED	05 329K
DO NOT SCALE DRAWING	
TITLE	DRAINAGE SYSTEM INSTL
SHEET 2	PART NO 150220

CRADLE ASM
139596-01-CHT
BOLT
C18-05-40A (4)
NUT
D13-05-00B (4)

CRADLE ASM
139597-01-CHT
BOLT
C18-05-40A (4)
NUT
D13-05-00B (4)

FRONT AXLE
COACH

1222

1498

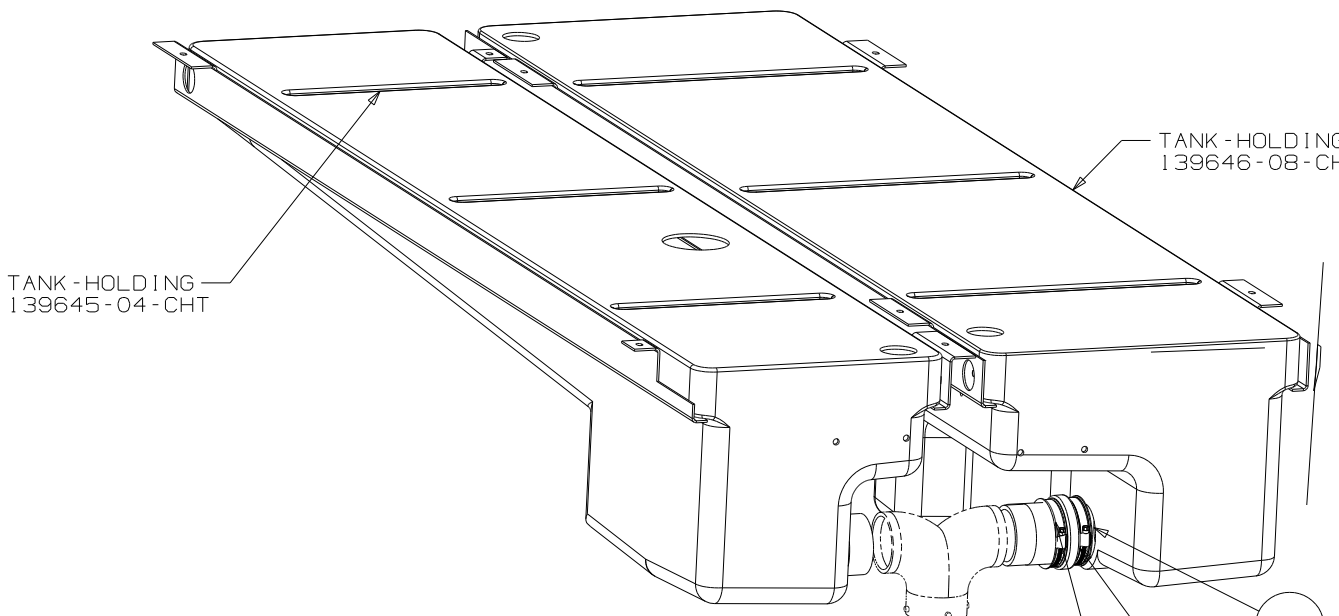
DATUM

20

3946

4399

VIEW D



TANK-HOLDING
139645-04-CHT

TANK-HOLDING
139646-08-CHT

V-11

H-1

2/55

C-2

N-3

2/55

E

VIEW C

PAD-HEATER
133972-04-CHT

9

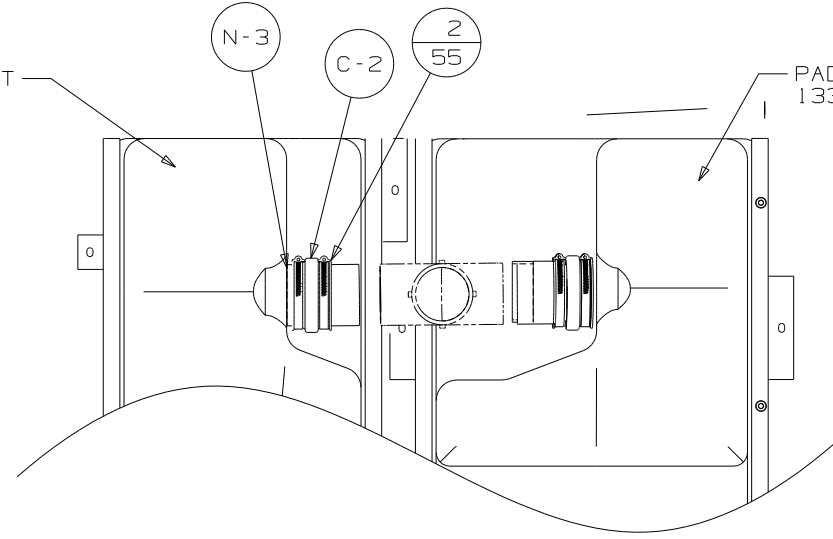
N-3

C-2

2/55

PAD-HEATER
133972-04-CHT

9



VIEW E

FIRST USED	05 329K
TITLE	DO NOT SCALE DRAWING DRAINAGE SYSTEM INSTL
SHEET 3	PART NO 150220

8

7

6

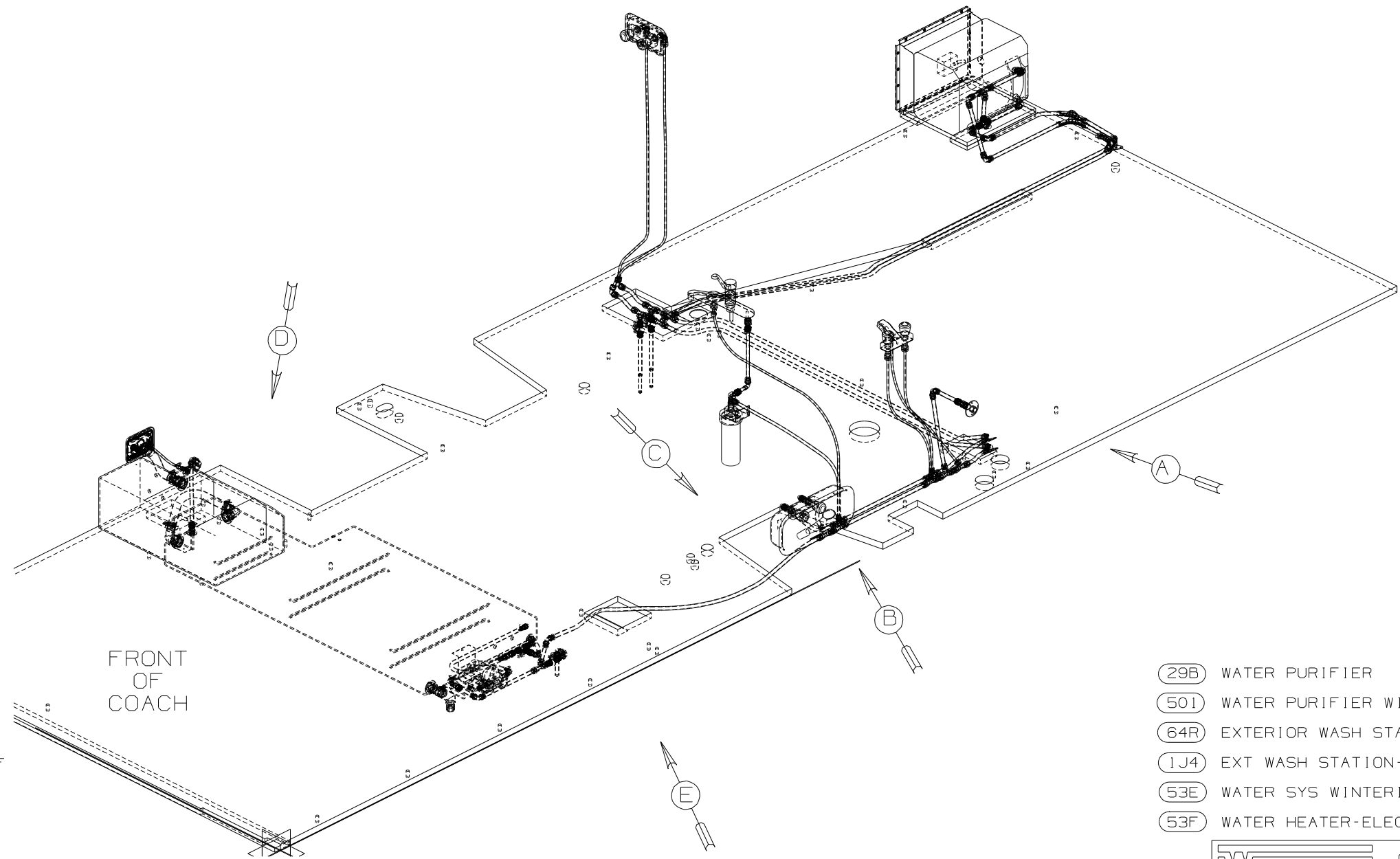
5

4

3

2

1



- 11 LABEL THE HOT AND COLD SUPPLY TUBES.
- 10 TAPE FITTING TO TUBE BEFORE CABINET SET TO PREVENT FITTING FROM MOVING.
- 9 THE BOLTS ON THE FRONT SIDE OF THE WATER TANK ARE TO BE INSTALLED WITH THE HEAD OF THE BOLT ON THE TOP SIDE OF THE FLOOR.
- 8 ATTACH WASHER-PLASTIC 87080-13-CHT WITH TAPE-DOUBLE 123816-03-000 ON BOTTOM SIDE OF LOWER FLOOR.
- 7 ATTACH WASHER-PLASTIC 87080-11-CHT WITH TAPE-DOUBLE 123816-03-000 ON BOTTOM SIDE OF COMPARTMENT.
- 6 ADD TEFLON TAPE 10405-01-000 TO FITTING.
- 5 ADD TEFLON TAPE 10405-03-000 TO FITTING.
- 4 ADD TEFLON TAPE 10405-02-000 TO FITTING.

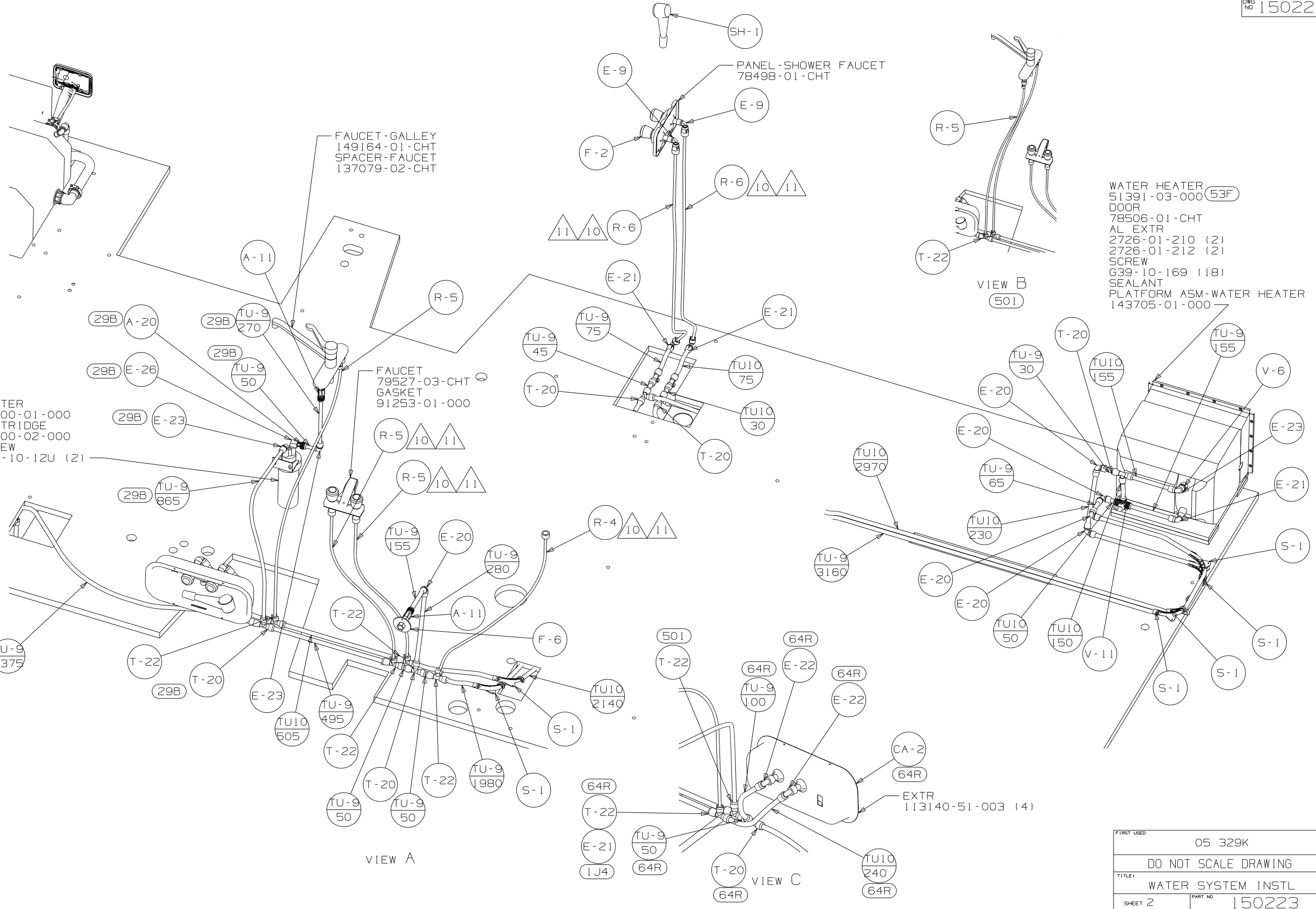
- 3. ALL TUBING TO BE SECURED AT 1200 INTERVALS MAXIMUM WITH CLAMP 10495-01-000 OR CLIP 9151-01-000 AND SCREW G67-10-12B.
- 2. TUBING TO BE INSTALLED WITH SUFFICIENT SLOPE TO PROVIDE DRAINAGE TO NEAREST VALVE.
- 1. PLASTIC FITTINGS TO BE SEALED WITH SEALANT 84456-01-000.

NOTES:

- 29B WATER PURIFIER
- 501 WATER PURIFIER WITHOUT
- 64R EXTERIOR WASH STATION
- 1J4 EXT WASH STATION-WITHOUT
- 53E WATER SYS WINTERIZATION PKG
- 53F WATER HEATER-ELEC IGNITION

WINNEBAGO		COPYRIGHT 2005 WINNEBAGO INDUSTRIES, INC.	
DFTR	ORIG. DATE	ALL DIMENSIONS ARE IN MILLIMETERS	
CHKR		FIRST USED 05 329K	
P.E.		UNSPECIFIED TOLERANCES ARE:	
M.E.		WHOLE DIM (X) :	7
DSNR		ONE-PLACE (X.X) :	
		TWO-PLACE (X.XX) :	
		ANGLE :	
THIRD ANGLE PROJECTION		MATERIAL:	
DO NOT SCALE DRAWING			
TITLE: WATER SYSTEM INSTL			
SHEET 1 OF 3		PART NO 150223	

FOR
WATER
CALLOUTS
SEE DWG NO
116230-01-000



FAUCET - GALLEY
149164-01-CHT
SPACER-FAUCET
137079-02-CHT

PANEL-SHOWER FAUCET
78498-01-CHT

WATER HEATER
51391-03-000 (53F)
DOOR
78506-01-CHT
AL EXTR
2726-01-210 (2)
2726-01-212 (2)
SCREW
G39-10-169 (18)
SEALANT
PLATFORM ASM-WATER HEATER
143705-01-000

(29B) FILTER
87200-01-000
CARTRIDGE
87200-02-000
SCREW
G67-10-12U (2)

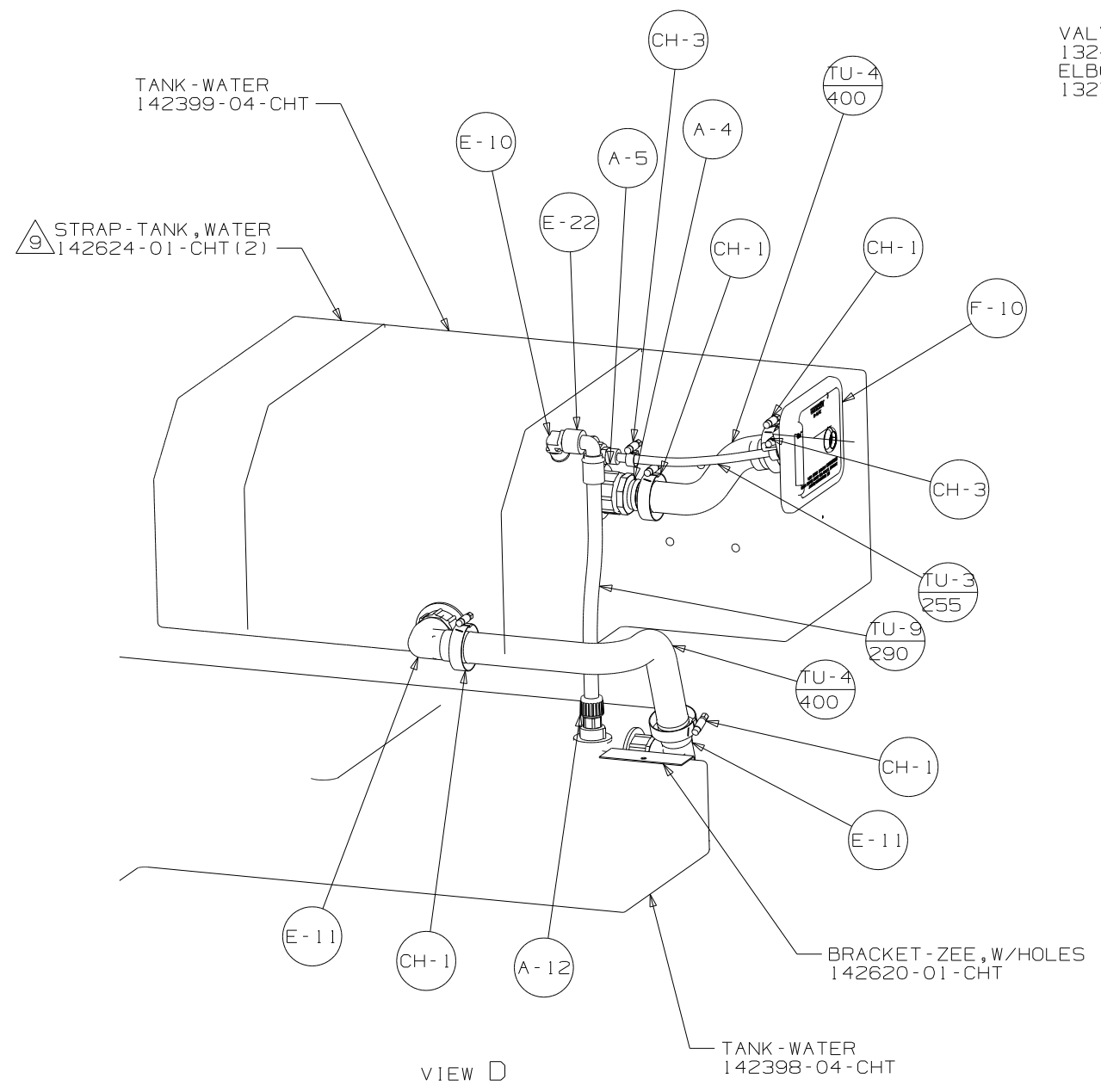
FAUCET
79527-03-CHT
GASKET
91253-01-000

VIEW A

VIEW B
(501)

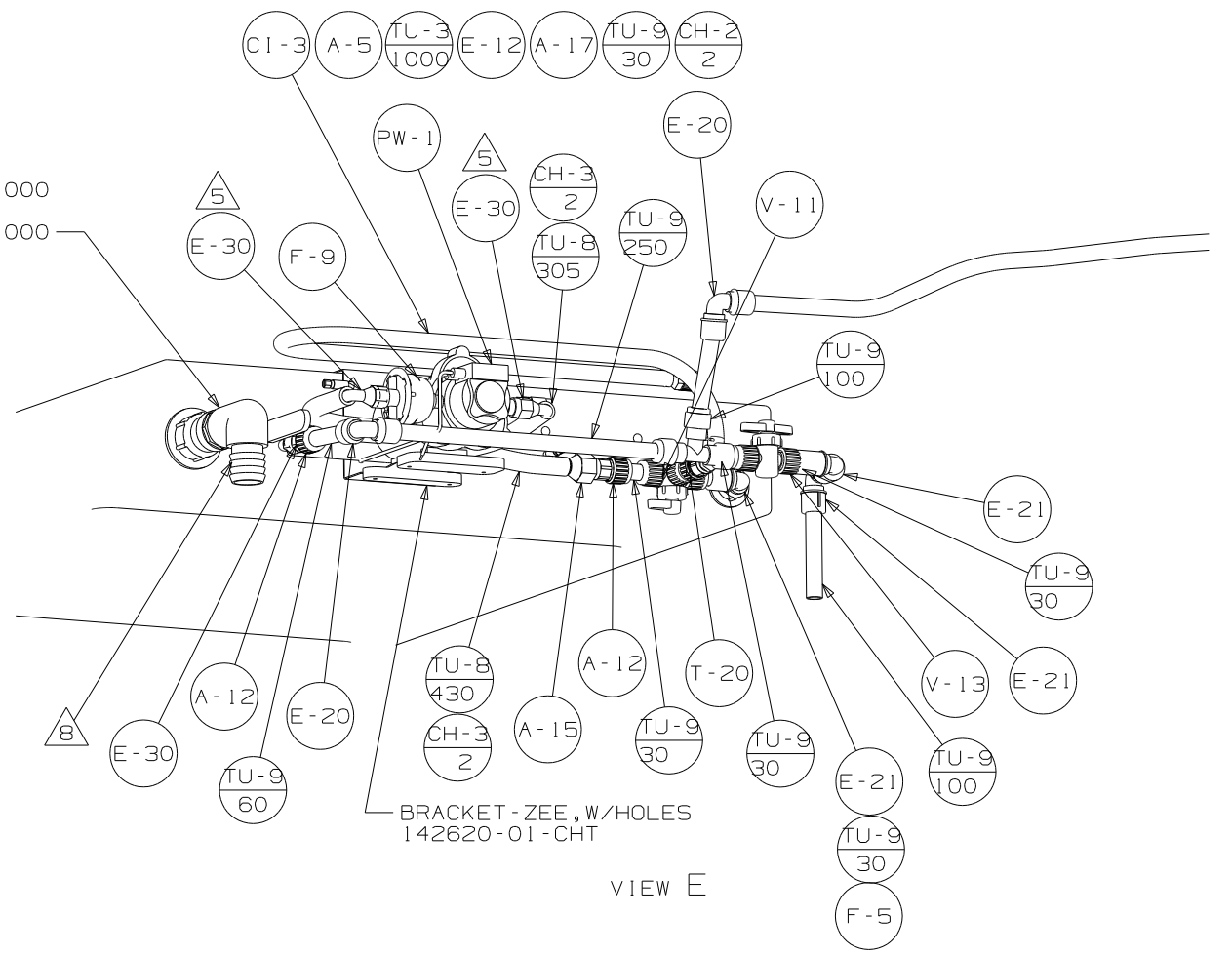
VIEW C

FIRST USED	05 329K
TITLE	DO NOT SCALE DRAWING
SHEET 2	PART NO 150223
1 2/3/2005	

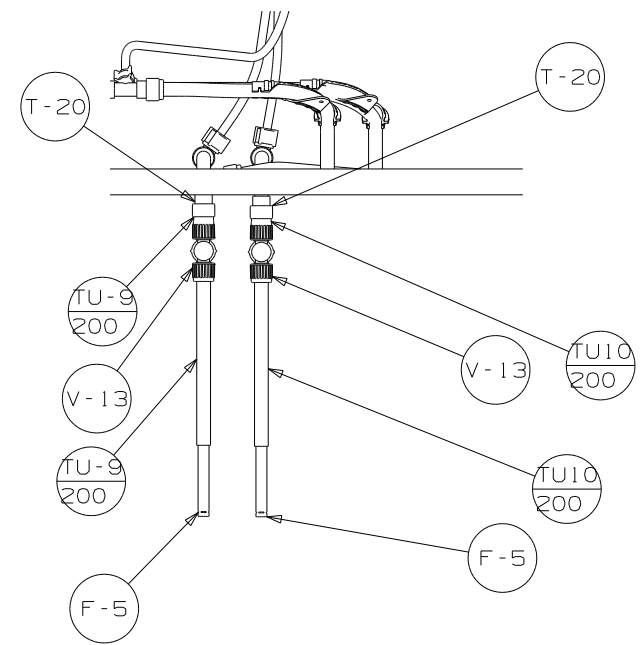


VIEW D

VALVE
132483-01-000
ELBOW
132782-01-000



VIEW E



VIEW F

FIRST USED	05 329K
TITLE:	DO NOT SCALE DRAWING
	WATER SYSTEM INSTL
SHEET 3	PART NO 150223