

Table of Contents

2005 Minnie/Spirit 329K Wiring Diagram Book

- 110 Volt Load Center/Auto Transfer Switch
- Antenna Installation, Radio and CB
- Auto Lamps Wiring Diagram
- Backup Monitor Installation
- Body, 110 Volt Wiring Diagram
- Body, 110 Volt Wiring Installation
- Body, 12 Volt Wiring Diagram
- Body, 12 Volt Wiring Installation
- Chassis Electrical Box Assembly
- Chassis Wiring Installation
- Dash Radio Installation
- Exterior Lamps Wiring Installation
- Holding Tank Monitor Panel
- Holding Tanks Wiring Diagram (Non-Contact Tank Level System **)
- Holding Tanks Wiring Diagram (Direct Contact Tank Level System **)
- TV Coax Wiring Diagram
- TV/VCR, Front Wiring Installation
- TV/VCR, Side Wiring Installation

Complete Wiring Diagram Book (701674-74-011)

** Units manufactured before 4/30/04 utilize a Direct Contact Tank Level System and have a green circuit board on the monitor panel.
Units manufactured after 4/30/04 utilize a Non-Contact Tank Level System and have a red circuit board on the monitor panel.





DANGER

Danger of electrical shock, burns or death. Always remove all power sources before attempting any repair, service or diagnostic work. Power can be present from shore power, generator, inverter or battery. All power sources must be disabled and secured before performing any service.



CAUTION

If you lack the skills, tools or equipment to perform diagnostic or repair work leave such work to an authorized Winnebago Industries dealer or other qualified shop.

| 8 | | 7 | 6 | 5 | 4 | 3 | 2 |
|---------------------|---------|---------------|---------------|---------------|---------------|---------------|---------------|
| | | 322E | 322R | 324F | 324V | 326A | 327L |
| GROUND | 8-G | 136145-02-015 | 136145-02-023 | 136145-02-020 | 136145-02-016 | 136145-02-009 | 136145-02-015 |
| WIRE ASM | 110V US | 151133-01-000 | 150432-01-000 | 145478-01-000 | 142933-01-000 | 148687-01-000 | 151144-01-000 |
| WIRE ASM | 110V CA | 151133-02-000 | 150432-02-000 | 145478-02-000 | 142933-02-000 | 148687-02-000 | 151144-02-000 |
| GENERATOR CABLE ASM | UL | X | X | 136137-01-036 | 136137-01-020 | X | X |
| | CA | X | X | 136138-01-036 | 136138-01-020 | X | X |

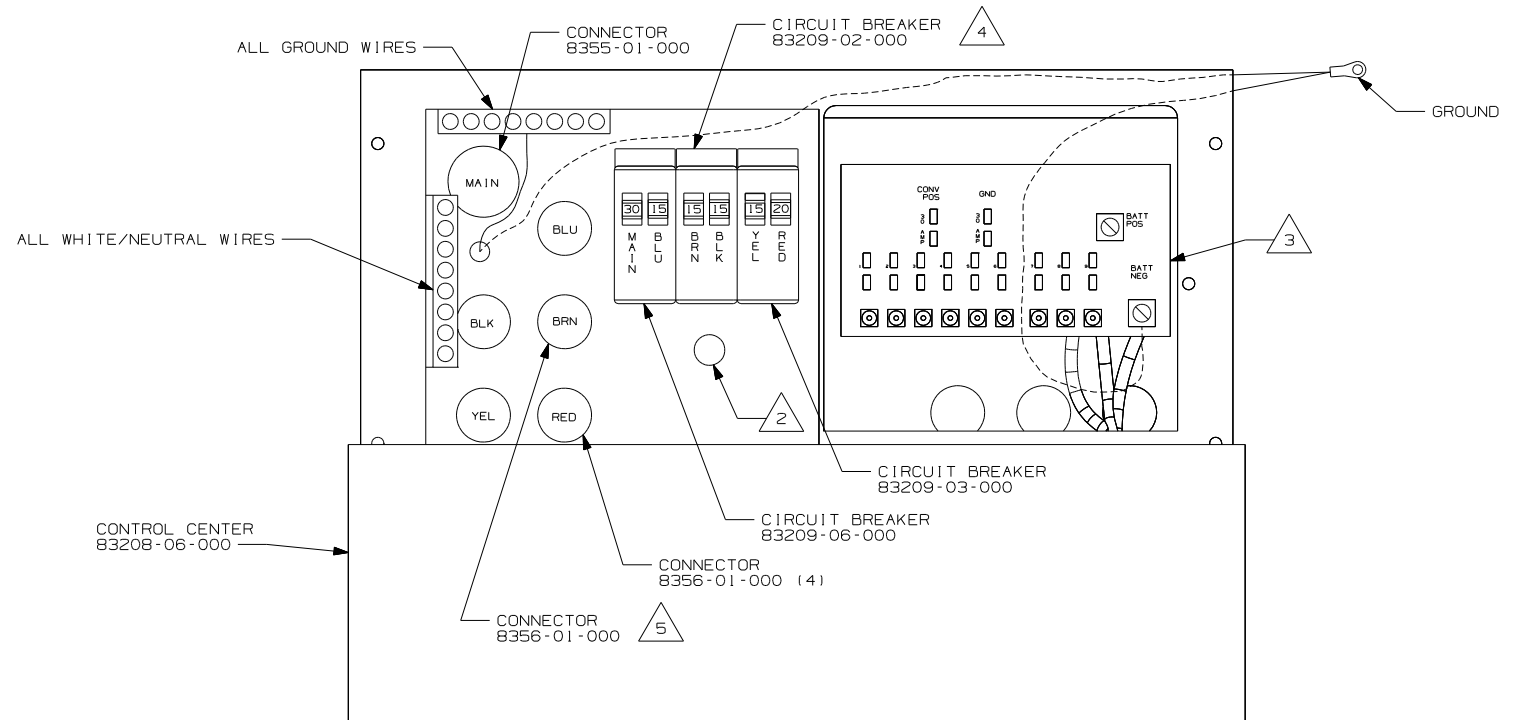
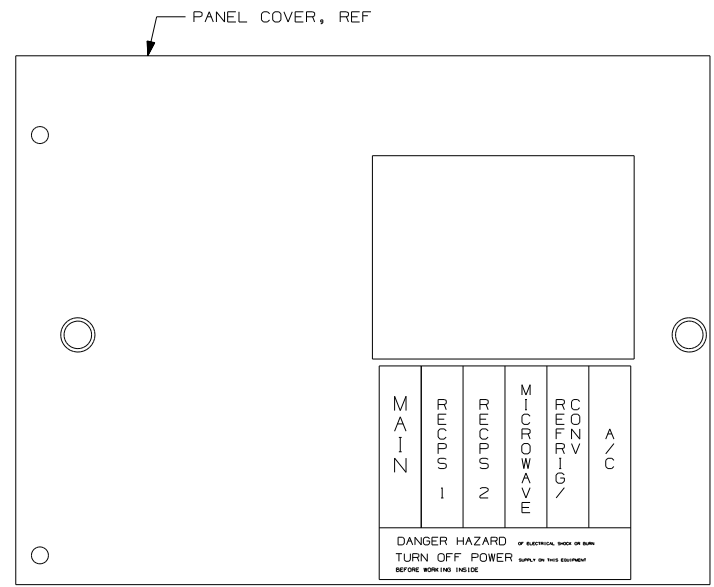
40N 526
 40N 526

| | | 329B/329SB | 329K | 331C/331SC | 331T/331ST | 332G |
|---------------------|---------|---------------|---------------|-----------------------------|-----------------------------|---------------|
| GROUND | 8-G | 136145-02-015 | 136145-02-012 | 136145-02-022 | 136145-02-022 | 136145-02-012 |
| WIRE ASM | 110V US | 149036-01-000 | 150264-01-000 | 149885-01 | 149885-01 | 150076-01-000 |
| WIRE ASM | 110V CA | 149036-02-000 | 150264-02-000 | 149885-02 | 149885-02 | 150076-02-000 |
| GENERATOR CABLE ASM | UL | 136137-01-025 | 136137-01-025 | X | X | 136137-01-042 |
| | CA | 136138-01-025 | 136138-01-025 | X | X | 136138-01-042 |
| THROW-IN #1 | UL | X | X | 136131-03-006 \triangle_6 | 136131-03-006 \triangle_6 | X |
| | CA | X | X | 136134-03-006 \triangle_6 | 136134-03-006 \triangle_6 | X |
| THROW-IN #2 | UL | X | X | 136131-03-065 | 136131-03-075 | X |
| | CA | X | X | 136134-03-065 | 136134-03-075 | X |

40N 526
 40N 526

| | | 723D | 726A |
|---------------------|---------|---------------|---------------|
| GROUND | 8-G | 136145-02-020 | 136145-02-014 |
| WIRE ASM | 110V US | 148693-01-000 | 150014-01-000 |
| WIRE ASM | 110V CA | 148693-02-000 | 150014-02-000 |
| GENERATOR CABLE ASM | UL | 136137-01-035 | 136137-01-038 |
| | CA | 136138-01-035 | 136138-01-038 |
| THROW-IN #1 | UL | X | 136131-03-006 |
| | CA | X | 136134-03-006 |
| THROW-IN #2 | UL | X | X |
| | CA | X | X |

40N
 40N
 40B
 40B



- 40B INVERTER AC/DC-300 WATT
- 40N GEN-4.0KW-ONANGAS-MICROQUIET
- 526 GEN-3.6KW ONAN LP MICROQUIET
- 265 CODES/STANDARDS-CSA/CMVSS
- 1B1 CODES/STANDARDS USA

1B1 265

WINNEBAGO INDUSTRIES, INC. COPYRIGHT 2004

| | |
|------|-----------------------------------|
| DFTR | ORIG. DATE |
| CHKR | ALL DIMENSIONS ARE IN MILLIMETERS |
| P.E. | |
| M.E. | FIRST USED |
| DSNR | 05 300/700-SER |

UNSPECIFIED TOLERANCES ARE: MATERIAL:

WHOLE DIM (X) :
 ONE-PLACE (X.X) :
 TWO-PLACE (X.XX) :
 ANGLE :

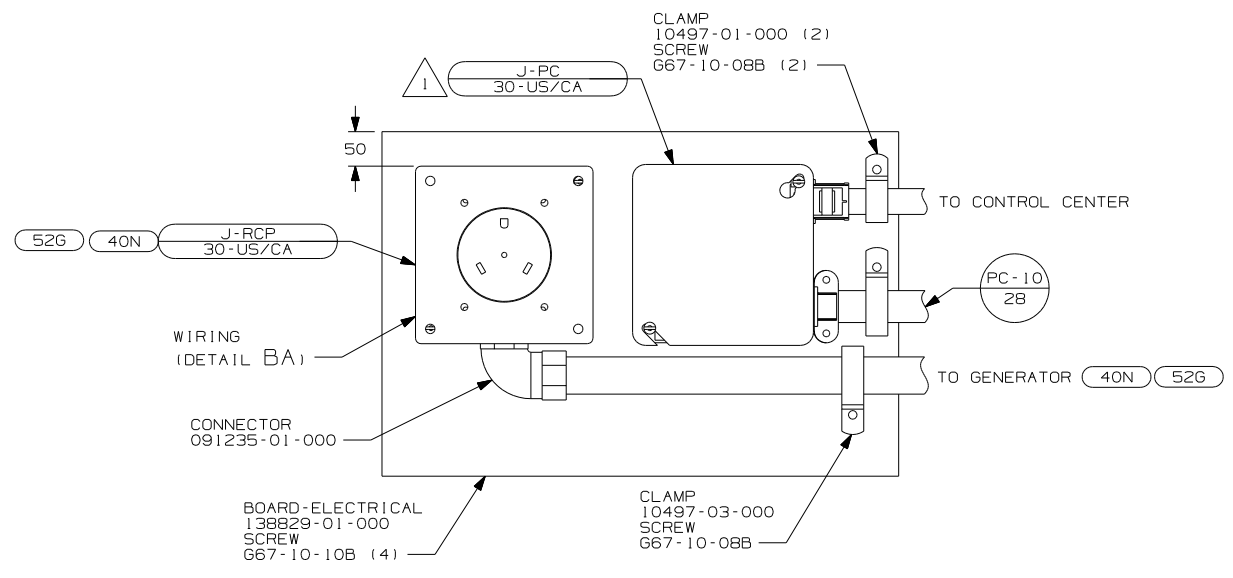
THIRD ANGLE PROJECTION

- \triangle_5 NOT USED WITH 322R
- \triangle_4 FOR 322R USE CIRCUIT BREAKER 83209-01-000
- \triangle_3 SEE WIRING INSLT-BODY, 12V FOR ADDITIONAL INFORMATION.
- \triangle_2 SECURE WIRES TO BACKSIDE OF LOAD CENTER WITH WIRE TIE 116673-01-000.

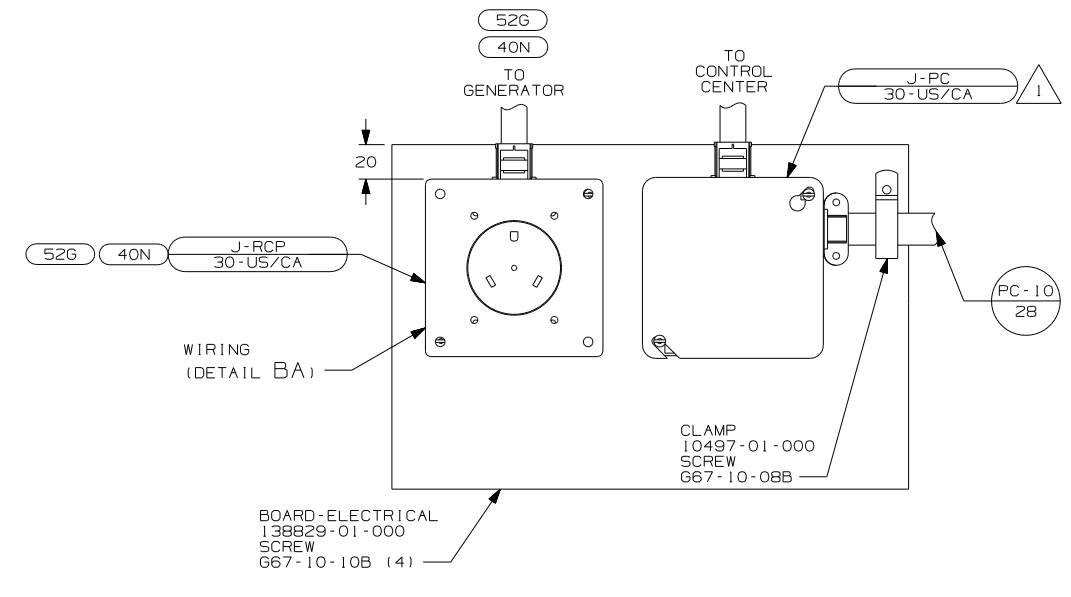
\triangle_6 FOR CONNECTOR INSTALLATION SEE DETAIL BE

1. ALL GROUND WIRES TO BE COVERED WITH TUBING 8041-02-000.

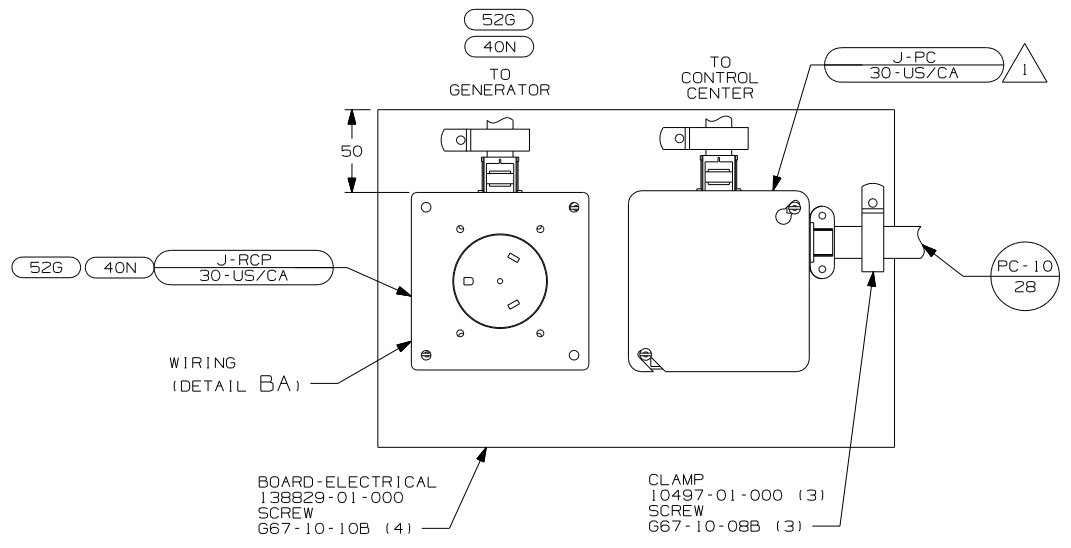
FOR ELECTRICAL CALLOUTS SEE DWG NO. 121339-01-000



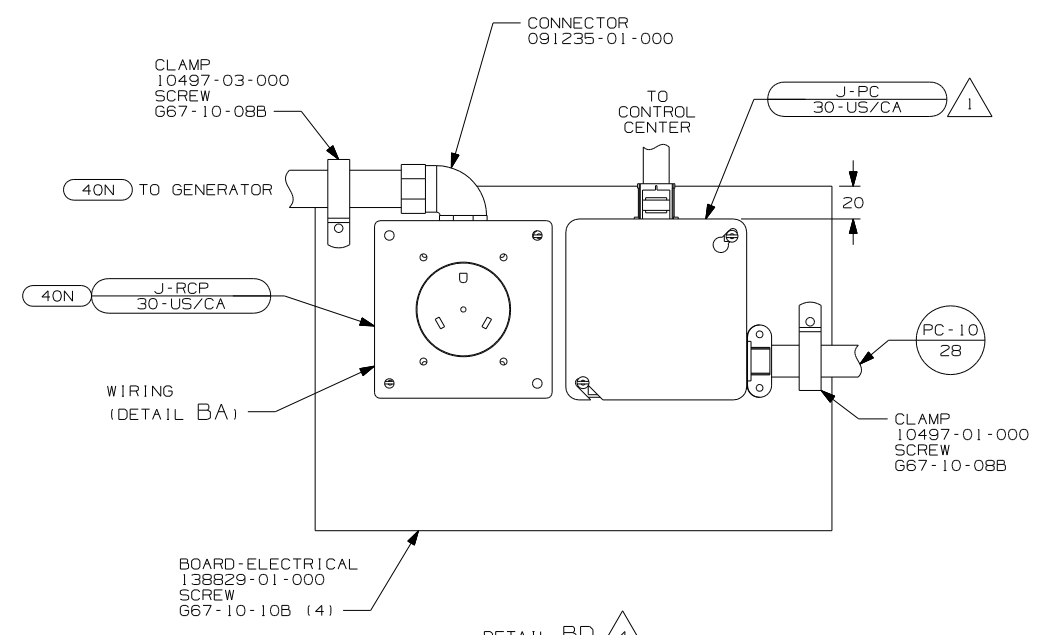
DETAIL BB 2



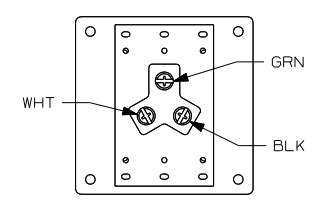
DETAIL BC 3



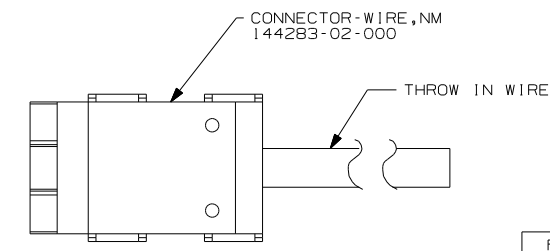
DETAIL BF 5



DETAIL BD 4



DETAIL BA (BACK VIEW)



DETAIL BE

- NOTES:
- 5 USED WITH 723D, 726A.
 - 4 USED WITH 329B, 329K, 329SB.
 - 3 USED WITH 322R, 322E, 324V, 332G.
 - 2 USED WITH 324F, 326A, 331C, 331T, 327L 331SC & 331ST.
 - 1 CONNECT BLK TO BLK, WHT TO WHT, AND GRNDS TO GRNDS.

FOR ELECTRICAL TORQUE SPECIFICATIONS SEE DWG NO. 128783-01-000

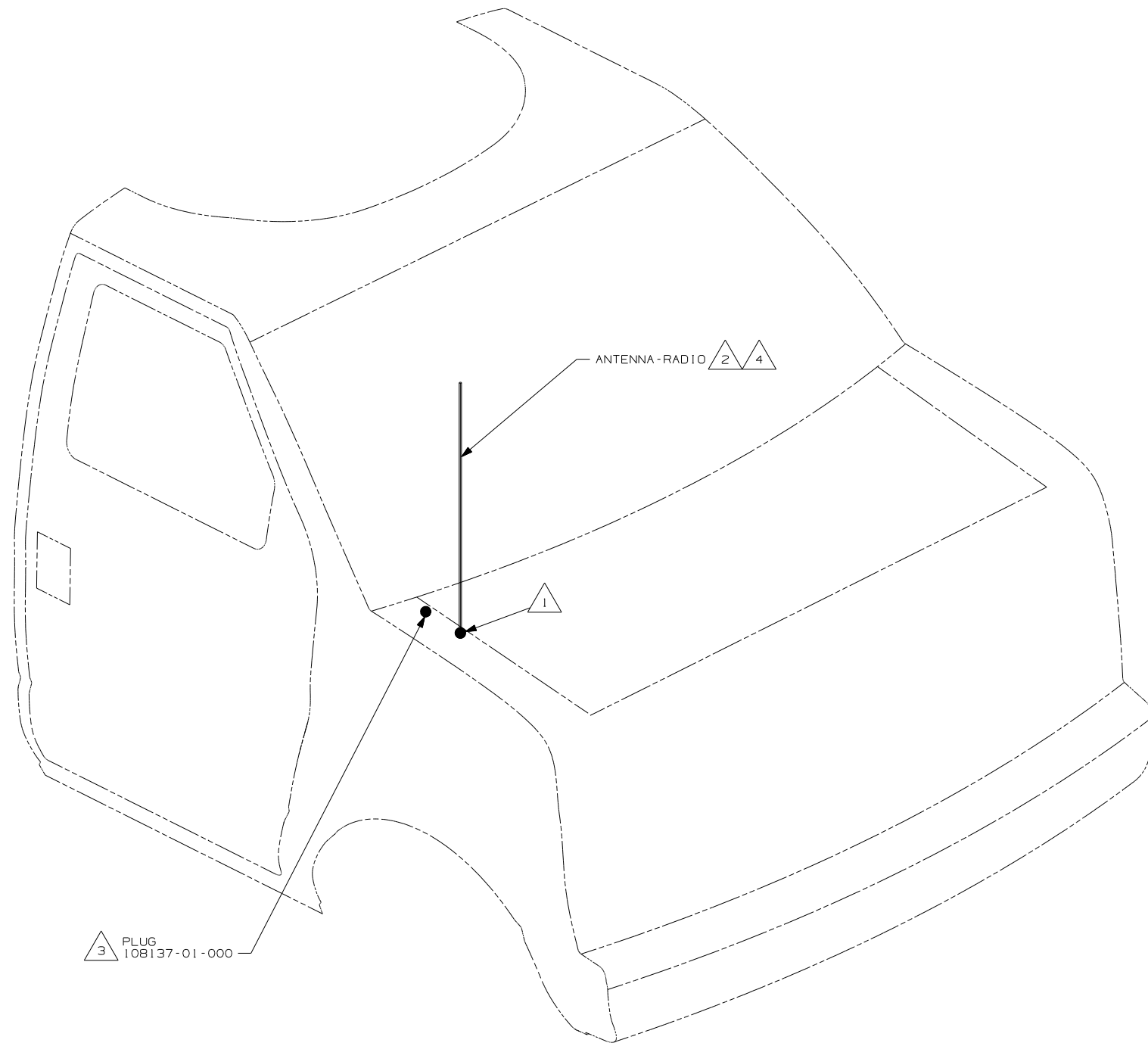
FOR ELECTRICAL CALLOUTS SEE DWG NO. 121339-01-000

- 52G GEN-3.6KW ONAN LP MICROQUIET
- 40N GEN-4.0KW-ONAN-GAS-MICROLITE
- 265 CODES/STANDARDS-CSA/CMVSS
- 1B1 CODES/STANDARDS USA

| | |
|----------------------------|----------------|
| FIRST USED | |
| 05 300/700-SER | |
| DO NOT SCALE DRAWING | |
| TITLE: LOAD CENTER/ATS ASM | |
| SHEET 2 | PART NO 148507 |

| DWG NO | SHEET | SERIES |
|-----------|-------|---------------|
| 148539-01 | 1 | 300, 400, 700 |
| 148539-02 | 2 | D, F, G |
| 148539-03 | 3 | P, S |

| | | |
|----------|-----------------|--------|
| RELEASE | REV DATE | DWG NO |
| A | | 148539 |
| REV ZONE | REVISION RECORD | DATE |
| | | |



- NOTES:
- 4 DO NOT RELOCATE ANTENNA ON 400 AND 700 SERIES UNITS. LEAVE IN FACTORY LOCATION.
 - 3 NOT USED ON 400 AND 700 SERIES.
 - 2 SUPPLIED WITH CHASSIS.
 - 1 SEE FRAME ASM-CHASSIS FOR HOLE LOCATION AND SIZE.

WINNEBAGO COPYRIGHT 2004 WINNEBAGO INDUSTRIES, INC.

| | |
|------|-----------------------------------|
| D/FR | ORIG. DATE |
| CHKR | ALL DIMENSIONS ARE IN MILLIMETERS |
| P.E. | |
| M.E. | FIRST USED |
| DSNR | 05 MOTORHOMES |

UNSPECIFIED TOLERANCES ARE: MATERIAL:

| | | |
|------------------|---|--|
| HOLE DIM (X) | : | |
| ONE-PLACE (X.X) | : | |
| TWO-PLACE (X.XX) | : | |
| ANGLE | : | |

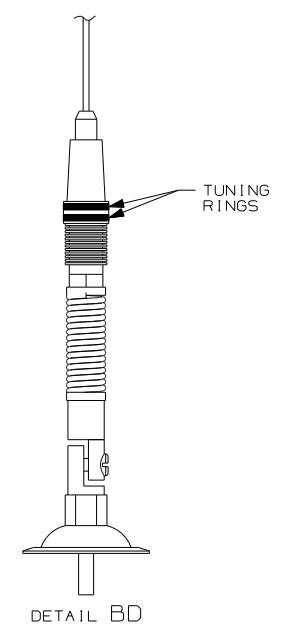
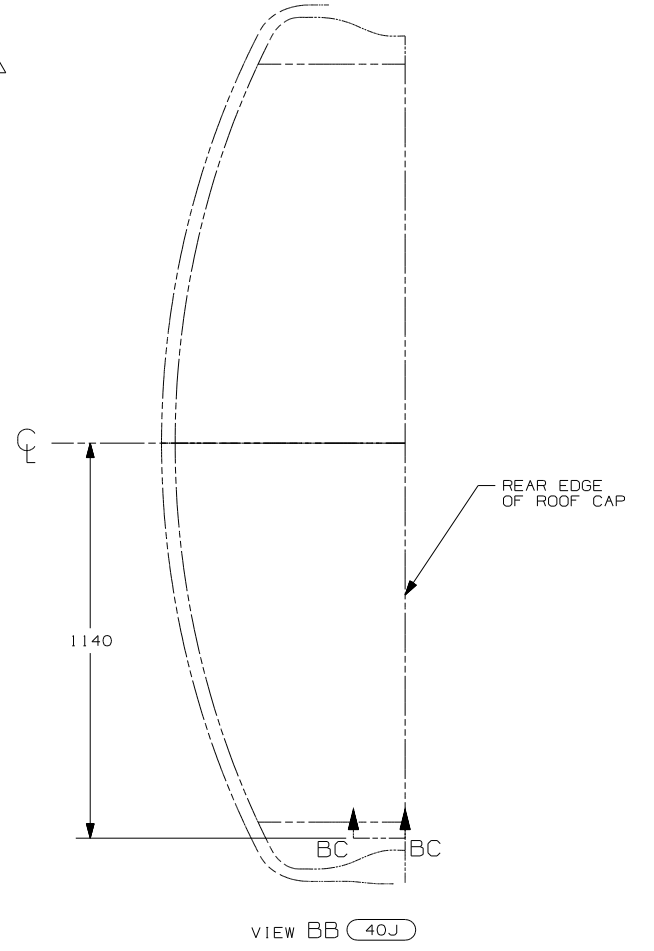
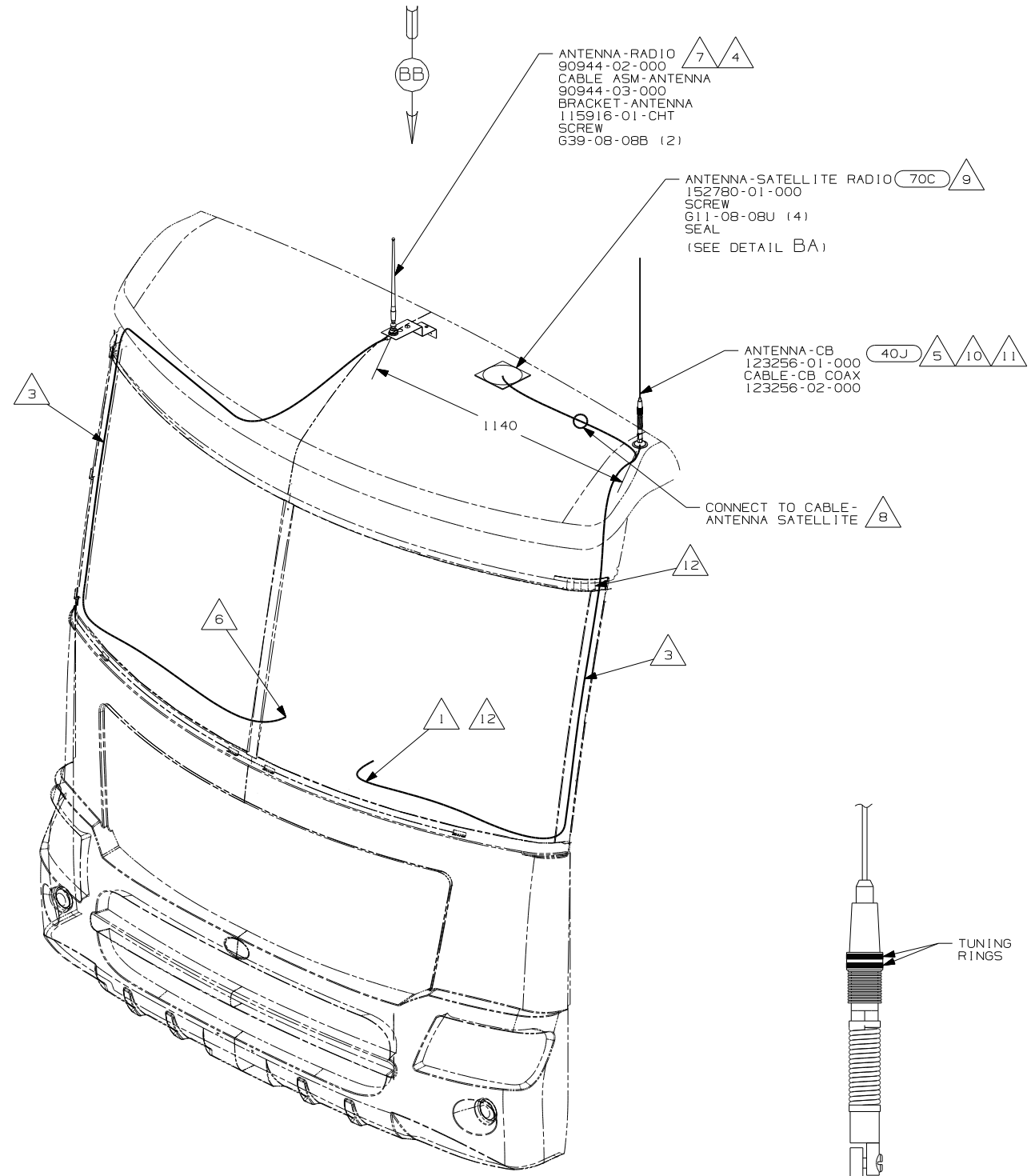
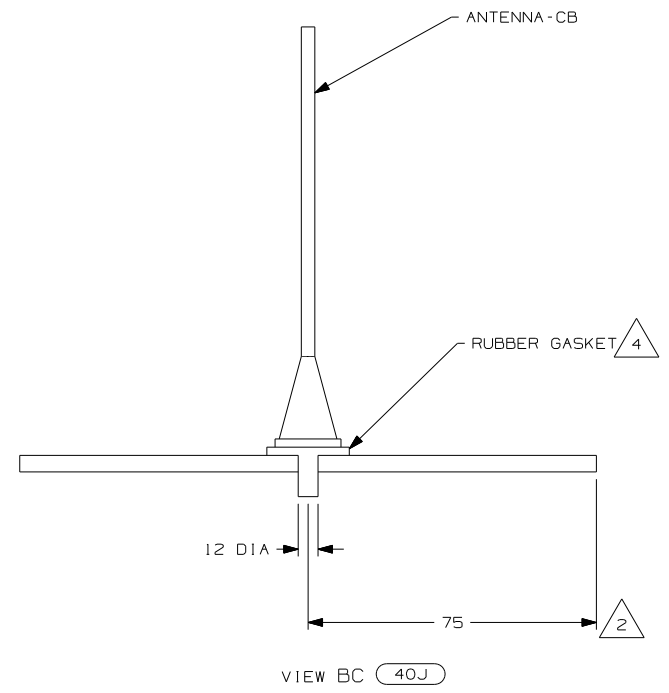
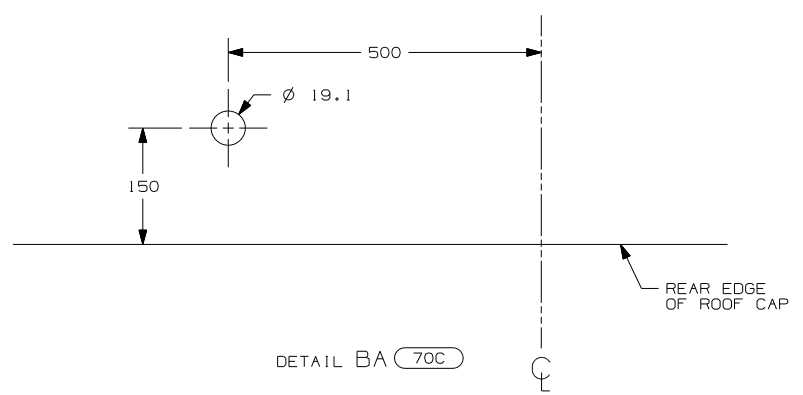
THIRD ANGLE PROJECTION

DO NOT SCALE DRAWING

TITLE: ANTENNA INSTL-RADIO AND CB

SHEET 1 OF 3 PART NO 148539

REF: 10/31/2005



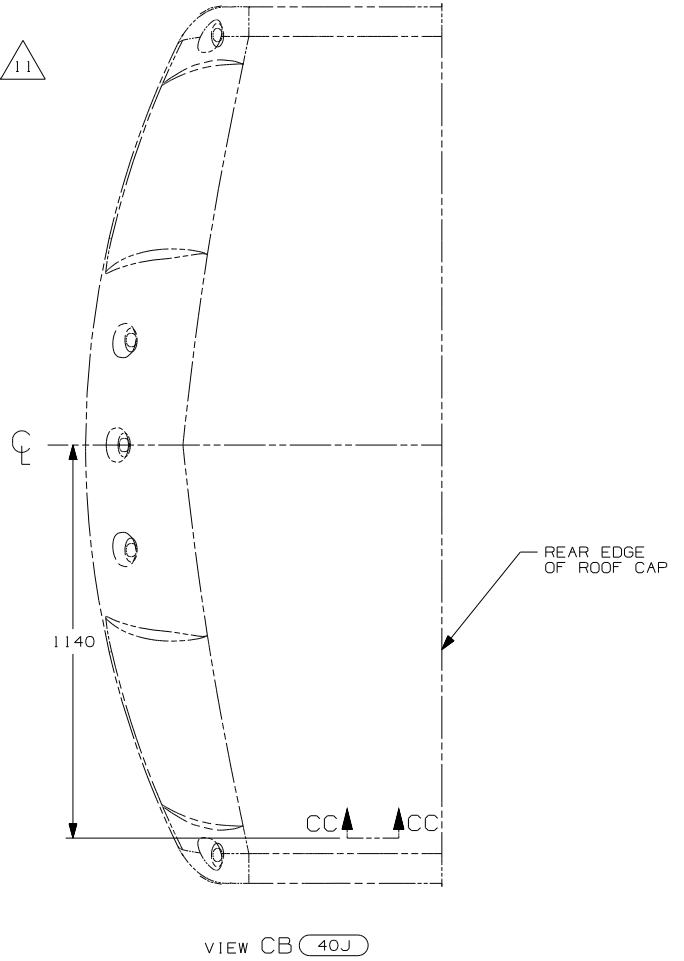
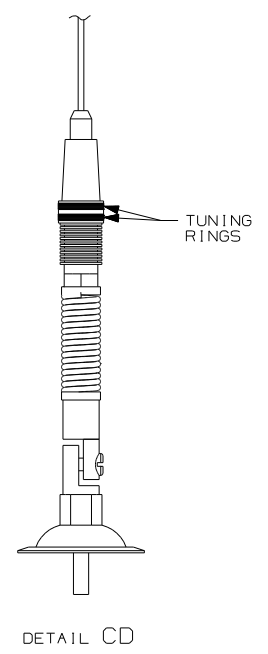
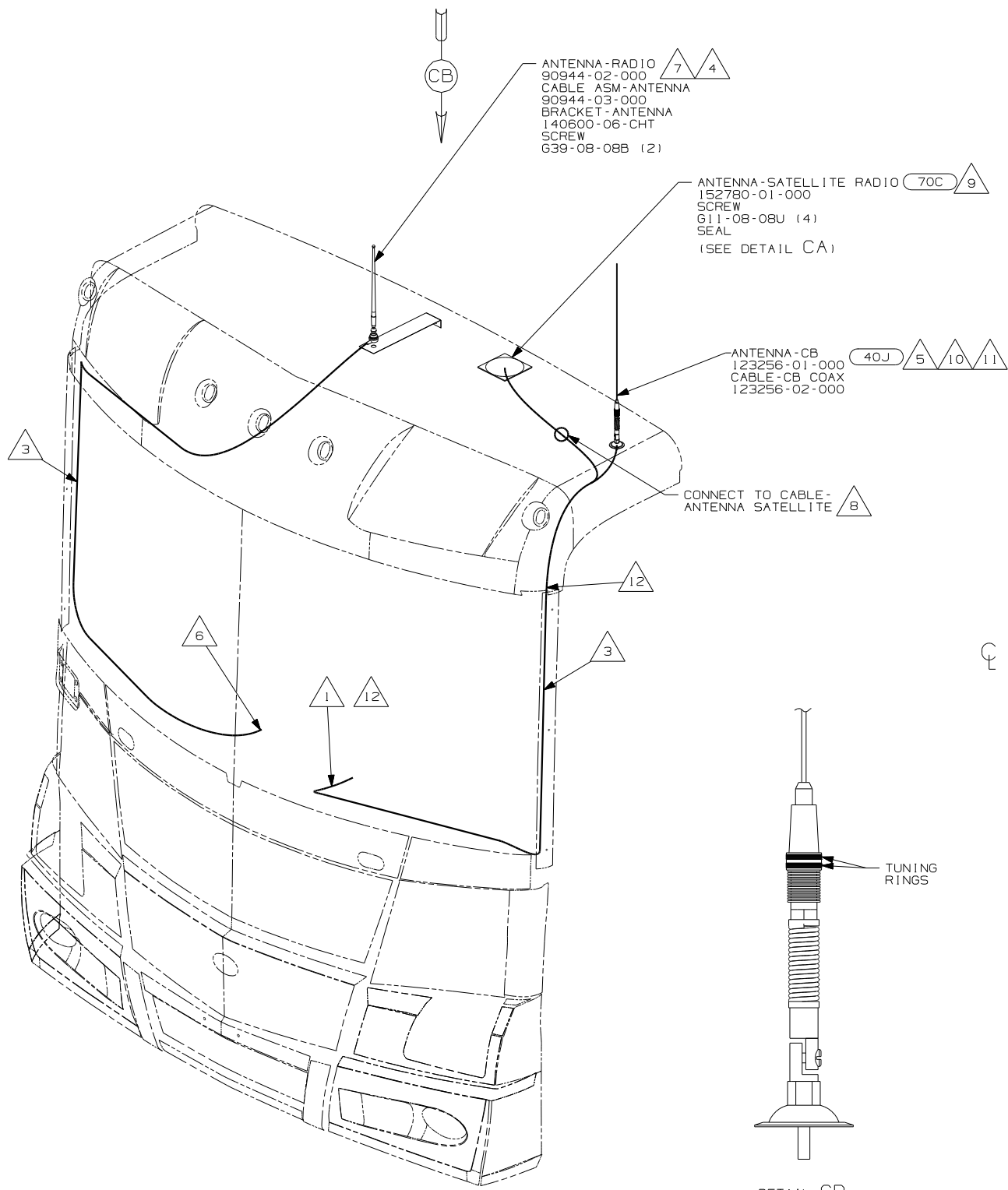
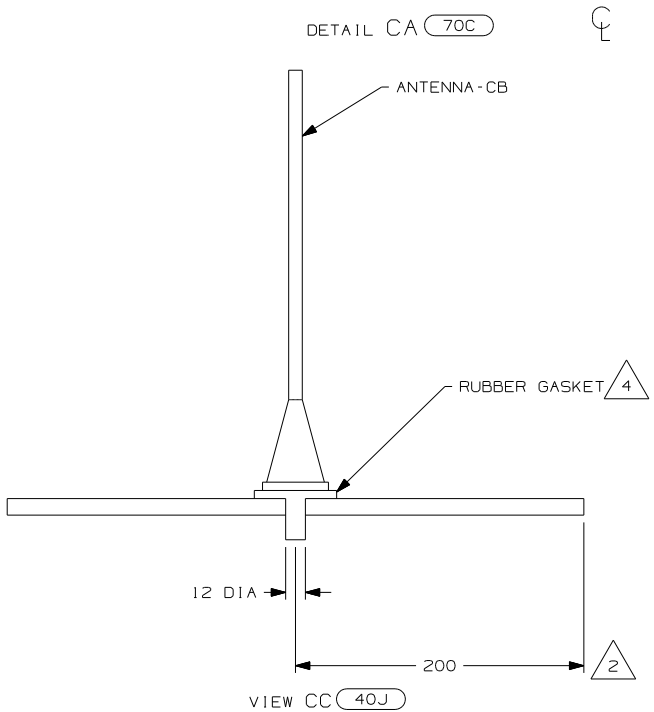
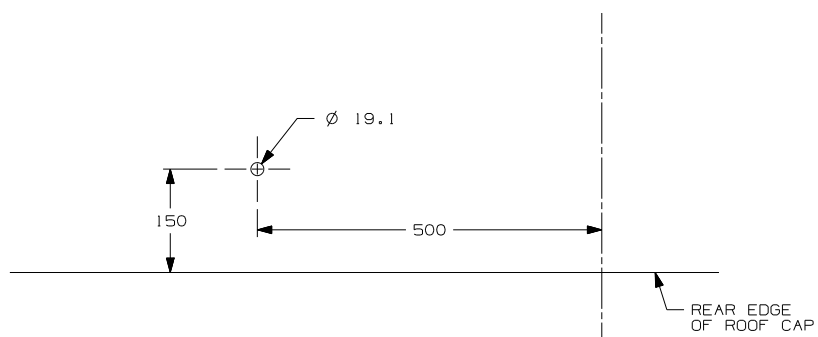
- 11 TUNING RINGS ARE TO BE BOTH ADJUSTED TO THE TOP OF THEIR TRAVEL AND TIGHTENED AGAINST EACH OTHER. DETAIL BD.
- 10 TIGHTEN JOINTS BETWEEN ANTENNA BASE AND ANTENNA PIVOT AND ALSO THE MAST AND ANTENNA PLATE.
- 9 MOUNT ANTENNA SUCH THAT BASE IS SQUARE W/ REAR OF ROOF CAP & HOLE IS DIRECTLY OVER HOLE IN FIBERGLASS. SEAL HOLE IN ROOF CAP, BASE AT SCREWS.
- 8 SEE WIRING INSTL-FRONT END FOR ADDITIONAL INFORMATION.
- 7 USE HOLE IN BRACKET AS GUIDE TO DRILL 13 DIAMETER HOLE IN FIBERGLASS.
- 6 TO RADIO.
- 5 ATTACH ANTENNA-CB GROUND WIRE TO CAB FRAME, USE SCREW G39-08-08B.
- 4 SEAL AROUND ANTENNA BASE.
- 3 ROUTE CABLE ALONG A-POST, UNDER TRIM COVER.
- 2 MEASURED FROM REAR EDGE OF FIBERGLASS CAP.
- 1 SEE WIRING INSTL-FRONT END FOR LOCATION OF COAX END AND LABEL.

12 PROVIDE A 700mm DROP OF CB ANTENNA CABLE FROM THE TOP OF THE A-PILLAR TO CONNECT TO THE ANTENNA AND PLACE THE EXCESS CABLE IN THE CB PREP BAG LOCATED UNDER THE DASH.

NOTES:

70C RADIO - SATELLITE
40J CB RADIO PREP

| | |
|--------------------------------------|-------------------|
| FIRST USED | |
| 05 MOTORHOMES | |
| DO NOT SCALE DRAWING | |
| TITLE: ANTENNA INSTL-RADIO AND CB | |
| SHEET 2 | PART NO 148539 |

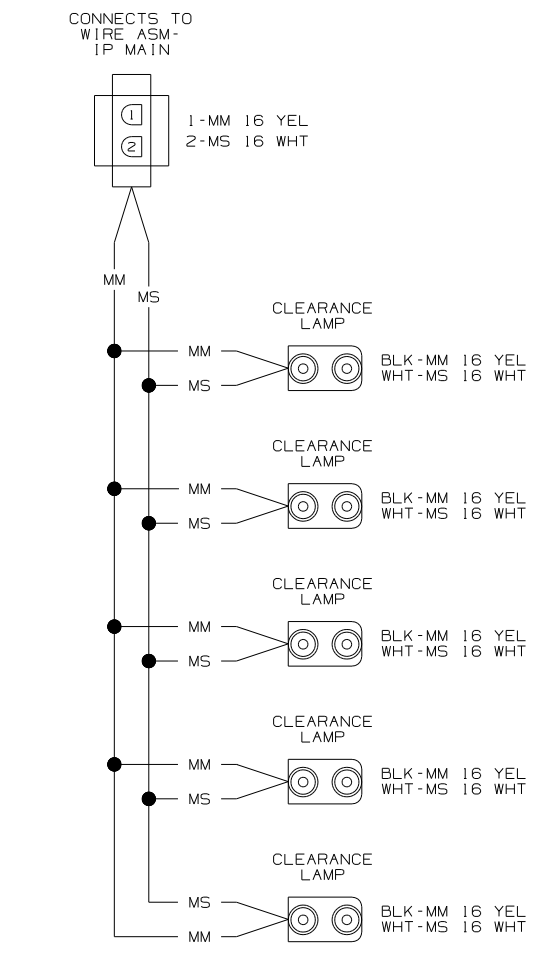


- 11 TUNING RINGS ARE TO BE BOTH ADJUSTED TO THE TOP OF THEIR TRAVEL AND TIGHTENED AGAINST EACH OTHER. DETAIL CD.
- 10 TIGHTEN JOINTS BETWEEN ANTENNA BASE AND ANTENNA PIVOT AND ALSO THE MAST AND ANTENNA PLATE.
- 9 MOUNT ANTENNA SUCH THAT BASE IS SQUARE W/REAR OF ROOF CAP & CENTER HOLE OF ANTENNA DIRECTLY OVER HOLE IN FIBERGLASS. SEAL HOLE, BASE, AND SCREWS.
- 8 SEE WIRING INSTL-FRONT END FOR ADDITIONAL INFORMATION.
- 7 USE HOLE IN BRACKET AS GUIDE TO DRILL 13 DIAMETER HOLE IN FIBERGLASS.
- 6 TO RADIO.
- 5 ATTACH ANTENNA-CB GROUND WIRE TO CAB FRAME, USE SCREW G39-08-08B.
- 4 SEAL AROUND ANTENNA BASE.
- 3 ROUTE CABLE ALONG A-POST, UNDER TRIM COVER.
- 2 MEASURED FROM REAR EDGE OF FIBERGLASS CAP.
- 1 SEE WIRING INSTL-FRONT END FOR LOCATION OF COAX END AND LABEL.

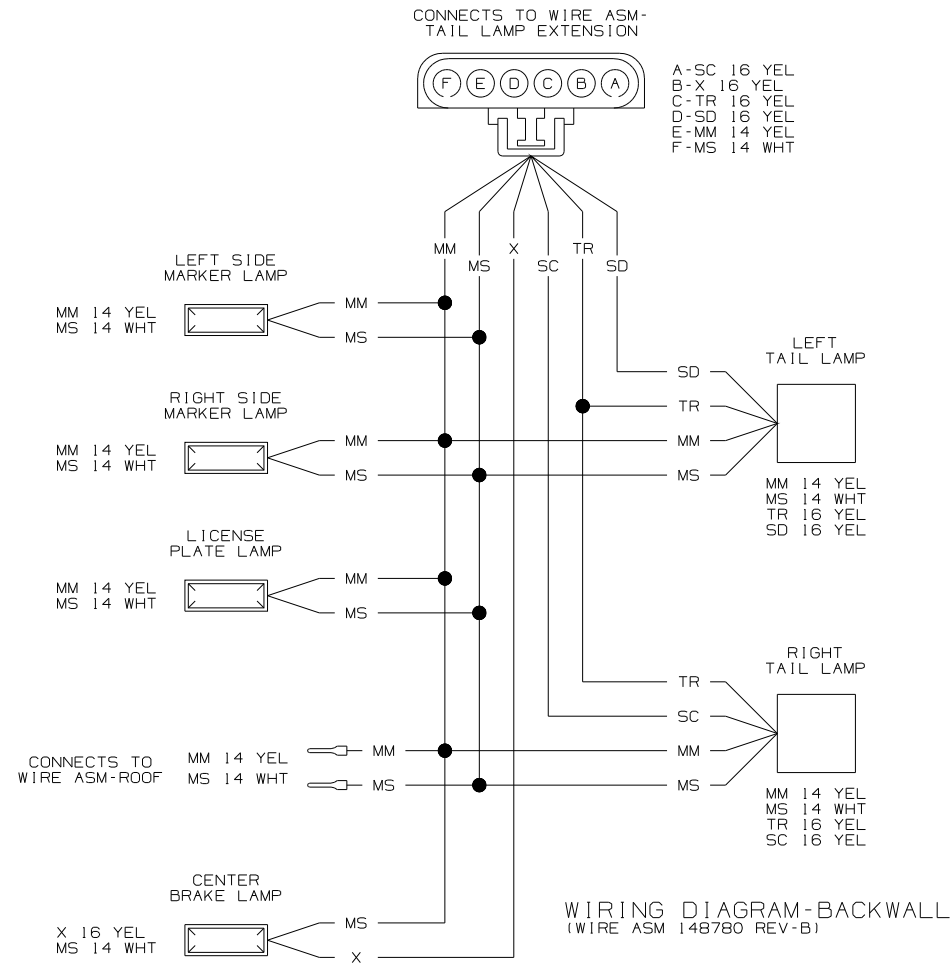
12 PROVIDE A 700mm DROP OF CB ANTENNA CABLE FROM THE TOP OF THE A-PILLAR TO CONNECT TO THE ANTENNA AND PLACE THE EXCESS CABLE IN THE CB PREP BAG LOCATED UNDER THE DASH.

70C RADIO - SATELLITE
40J CB RADIO PREP

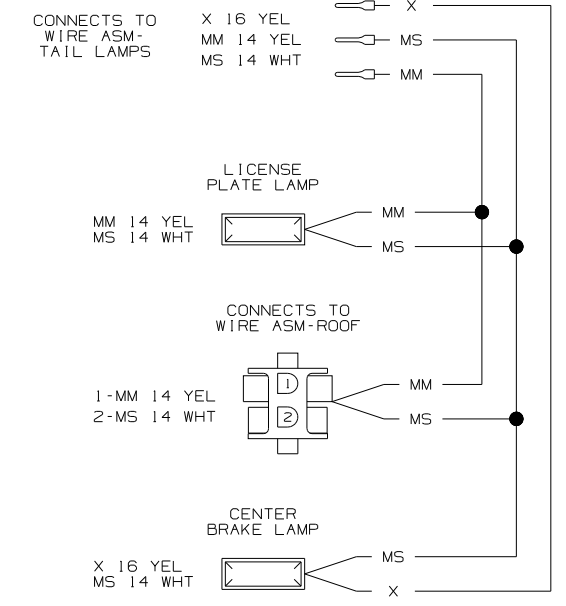
| | |
|--------------------------------------|-------------------|
| FIRST USED | |
| 05 MOTORHOMES | |
| DO NOT SCALE DRAWING | |
| TITLE: ANTENNA INSTL-RADIO AND CB | |
| SHEET 3 | PART NO 148539 |



WIRING DIAGRAM-CLEARANCE LAMPS
(126486-04 REV-F)

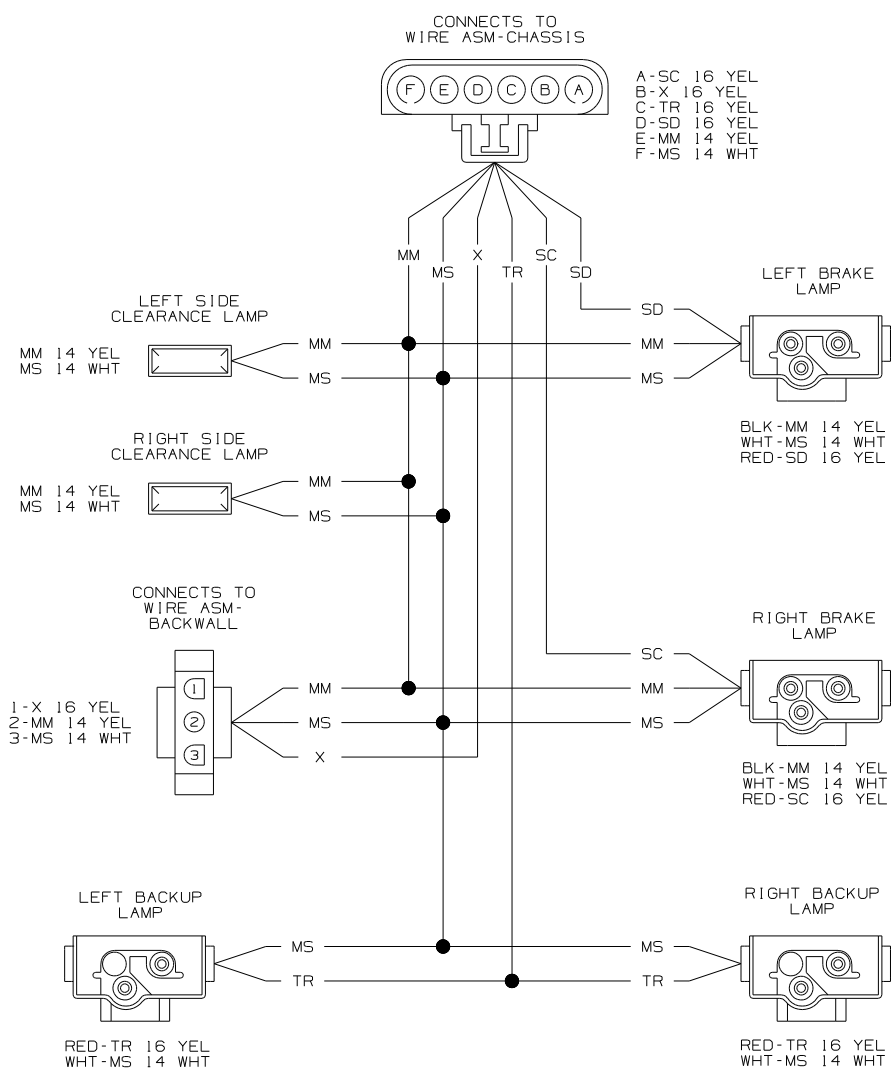


WIRING DIAGRAM-BACKWALL
(WIRE ASM 148780 REV-B)

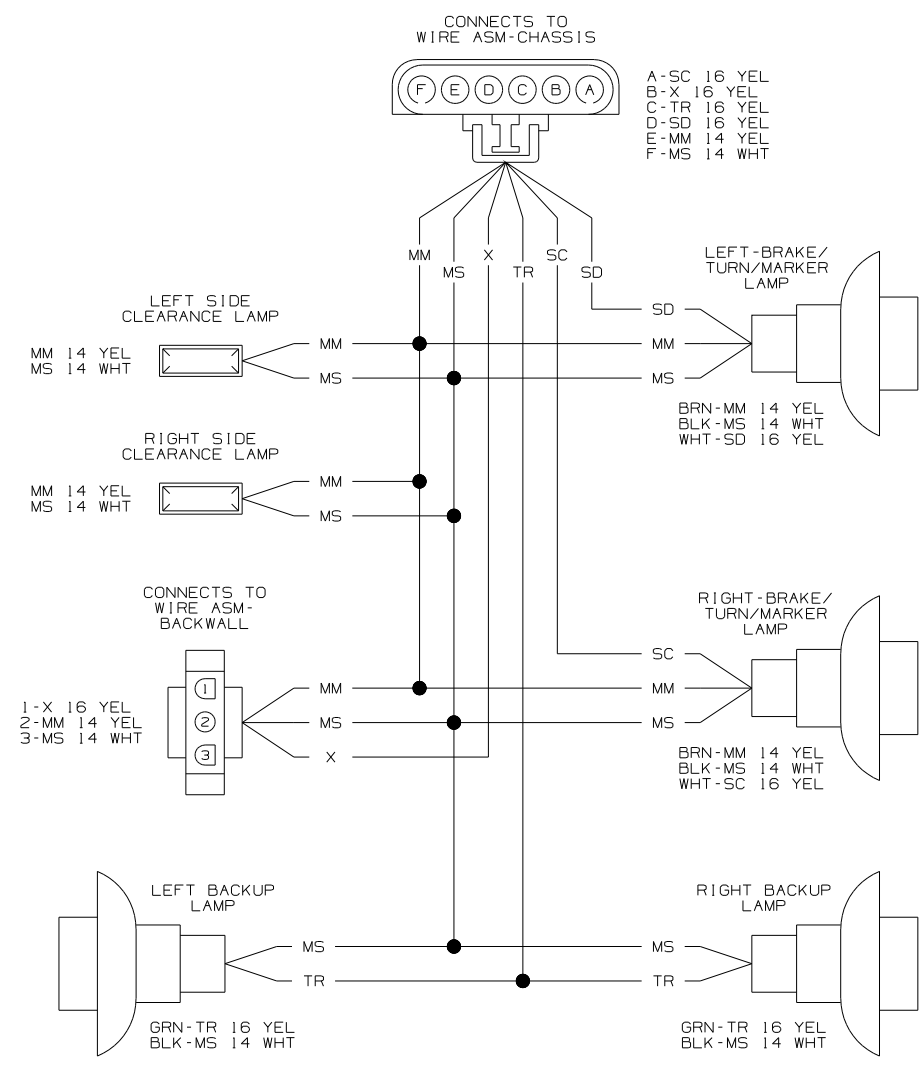


WIRING DIAGRAM-BACKWALL
(WIRE ASM 141557 REV-C)

| | | | |
|-------------------------------------|------------|---|--|
| WINNEBAGO | | COPYRIGHT 2004 WINNEBAGO INDUSTRIES, INC. | |
| D/FR | ORIG. DATE | ALL DIMENSIONS ARE IN MILLIMETERS | |
| CHKR | | FIRST USED | |
| P.E. | | 05 300/400 | |
| M.E. | | UNSPECIFIED TOLERANCES ARE: | |
| DSNR | | MATERIAL: | |
| | | HOLE DIM (X) : * | |
| | | ONE-PLACE (X,X) : * | |
| | | TWO-PLACE (X,XX) : * | |
| | | ANGLE : * | |
| | | THIRD ANGLE PROJECTION | |
| DO NOT SCALE DRAWING | | | |
| TITLE: WIRING DIAGRAM-AUTO LAMPS | | | |
| SHEET 1 OF 2 | PART NO | 148505 | |
| REF: 145092 1 04/22/2004 | | | |



WIRING DIAGRAM-TAILLAMPS
(WIRE ASM 141556-02 REV-E)

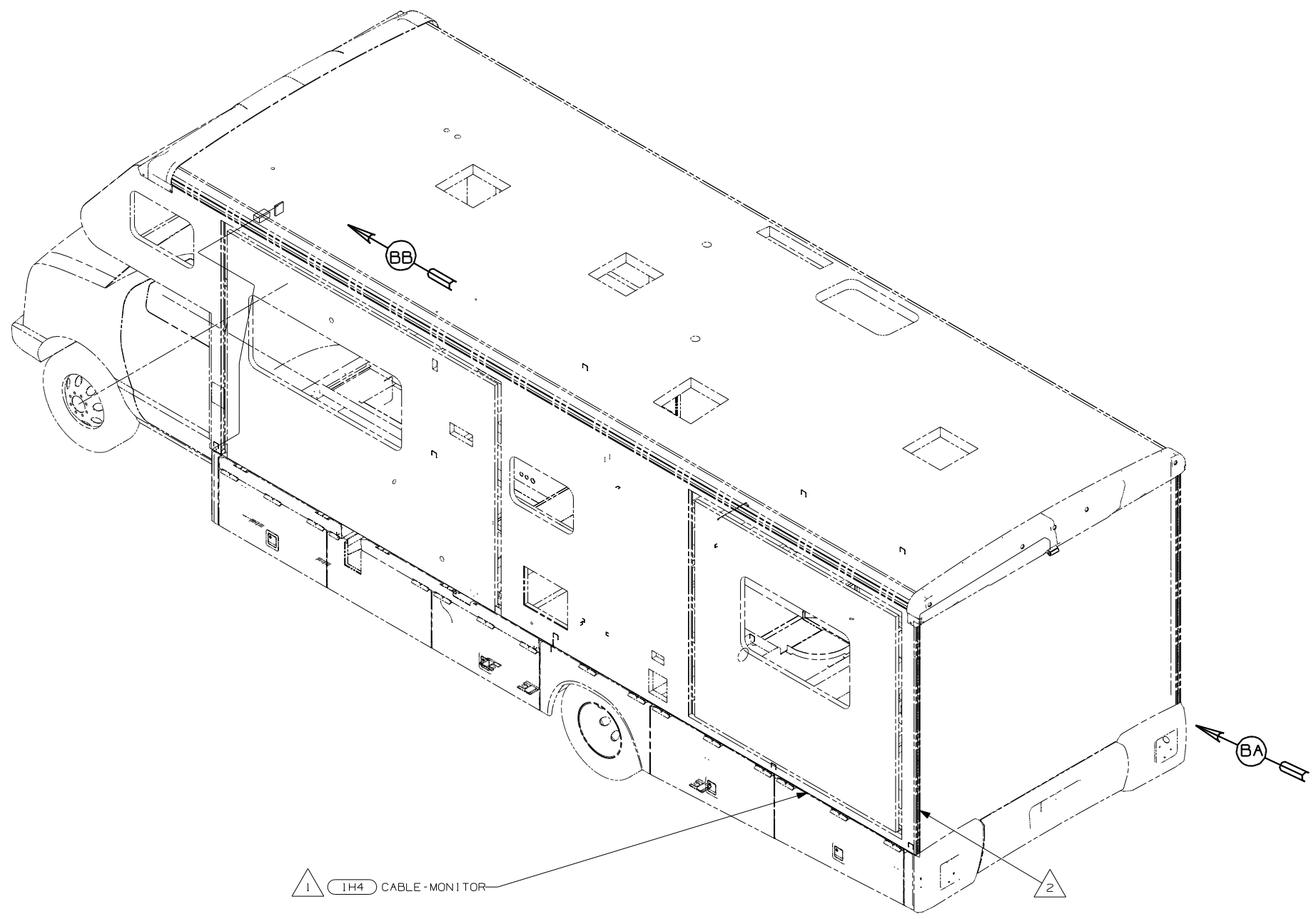


WIRING DIAGRAM-TAILLAMPS
(WIRE ASM 141556-01 REV-E)

| | |
|----------------------|---------------------------|
| FIRST USED | 05 300/400 |
| DO NOT SCALE DRAWING | |
| TITLE: | WIRING DIAGRAM-AUTO LAMPS |
| SHEET 2 | PART NO 148505 |

| | |
|-------------|------------------|
| DRAWING NO. | MODEL |
| 148545-01 | 400 SERIES |
| 148545-02 | 300 & 700 SERIES |

| | | | |
|----------|-----------------|--------|-----------|
| RELEASE | REV DATE | DWG NO | 148545 |
| REV ZONE | REVISION RECORD | DATE | DFTR-ORIG |



- (74A) RR MONITOR SYS-SUNVISOR MNTR
- (74J) REARVIEW MONITOR SYSTEM
- (IH4) REARVIEW MONITOR-WIRE PREP

WINNEBAGO COPYRIGHT 2004 WINNEBAGO INDUSTRIES, INC.

| | |
|------|-----------------------------------|
| DFTR | ORIG. DATE |
| CHKR | ALL DIMENSIONS ARE IN MILLIMETERS |
| P.E. | |
| M.E. | FIRST USED |
| DSNR | 05 C-BODIES |

UNSPECIFIED TOLERANCES ARE: MATERIAL:

| | | |
|------------------------|---|---|
| WHOLE DIM (X) | : | |
| ONE-PLACE (X.X) | : | 1 |
| TWO-PLACE (X.XX) | : | |
| ANGLE | : | |
| THIRD ANGLE PROJECTION | : | |

DO NOT SCALE DRAWING

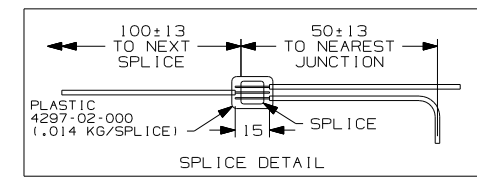
TITLE: MONITOR INSTL.

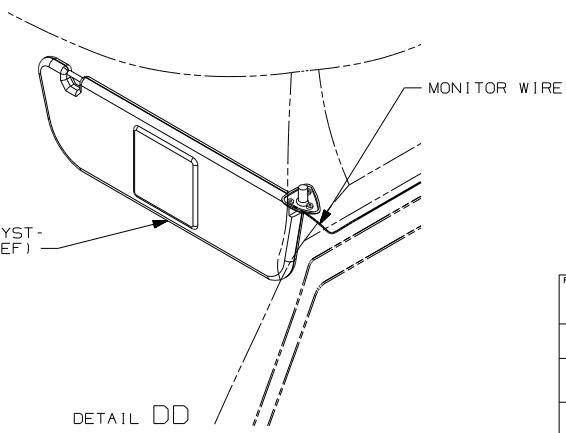
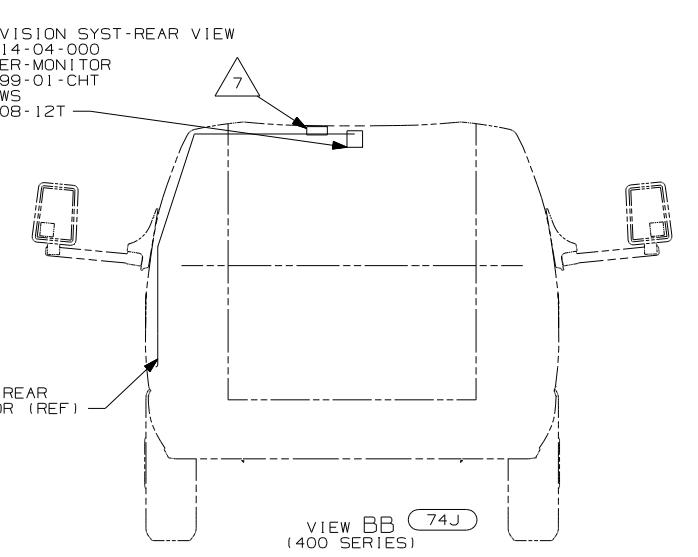
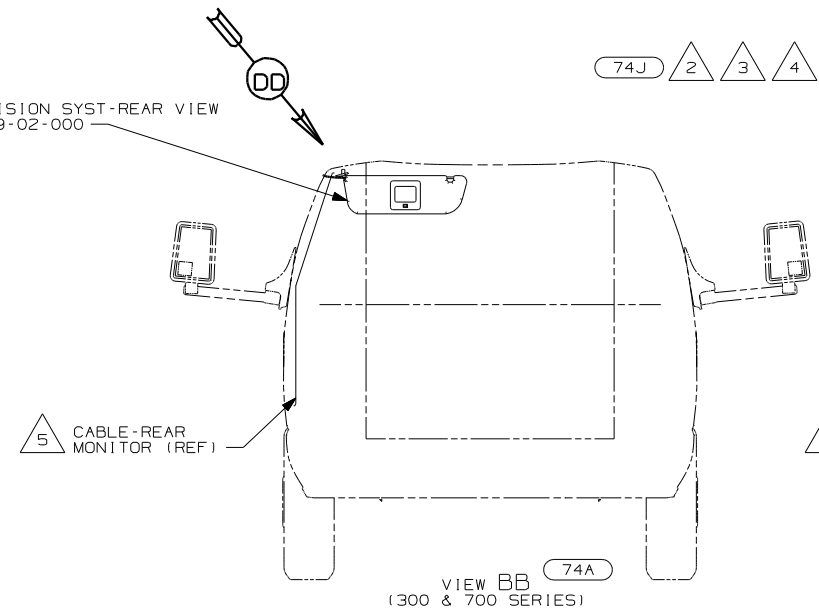
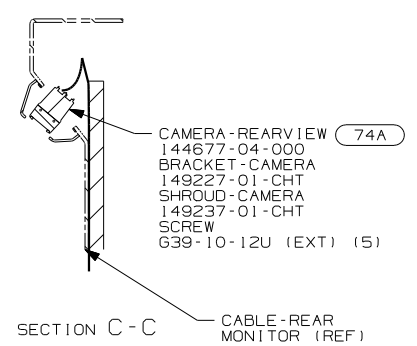
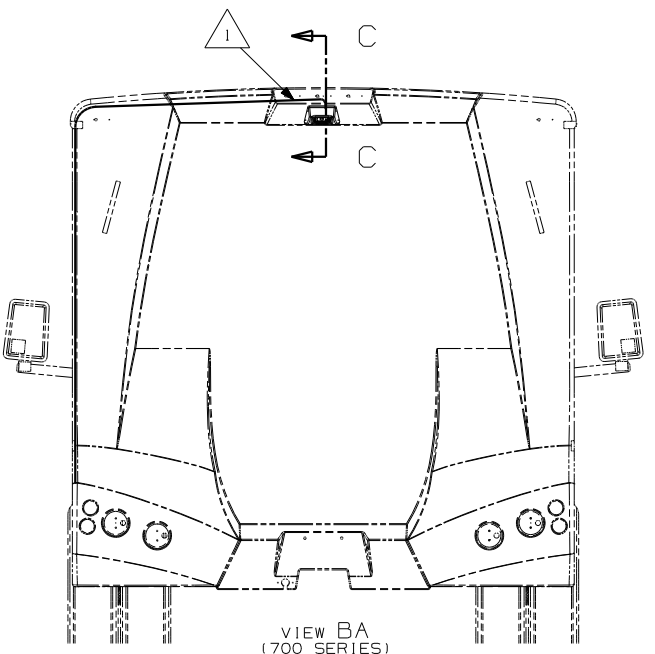
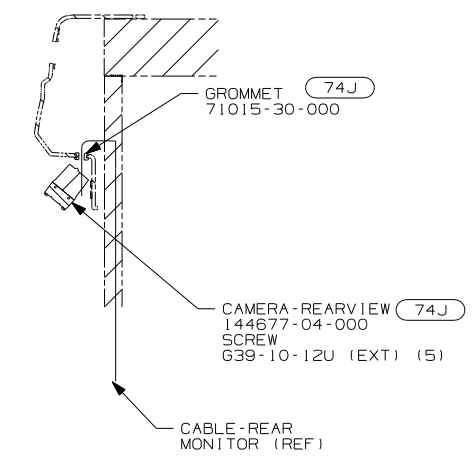
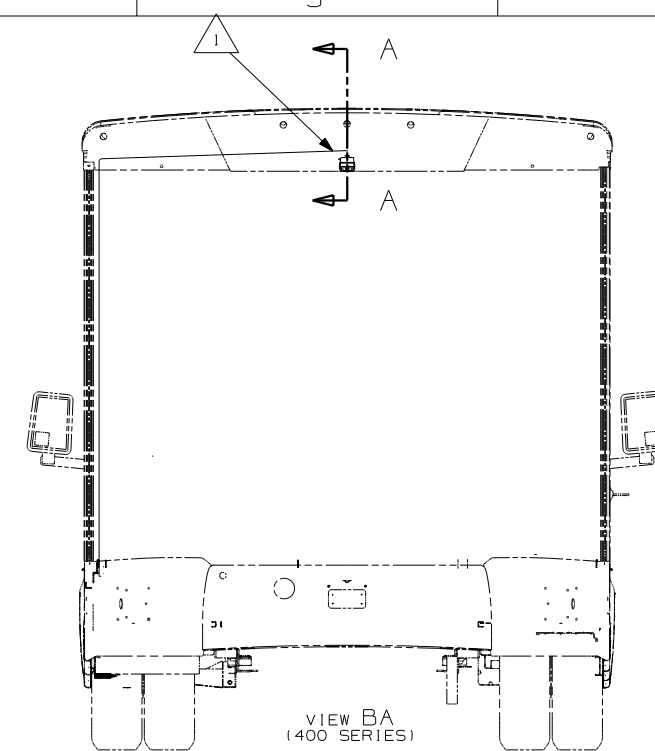
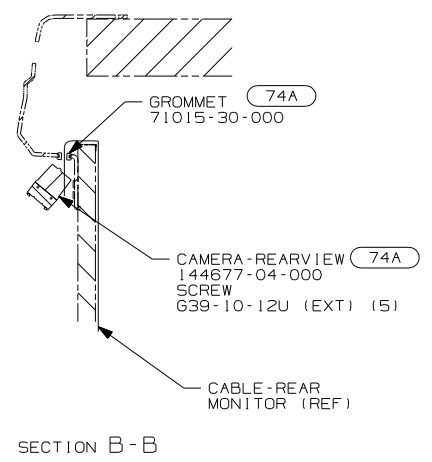
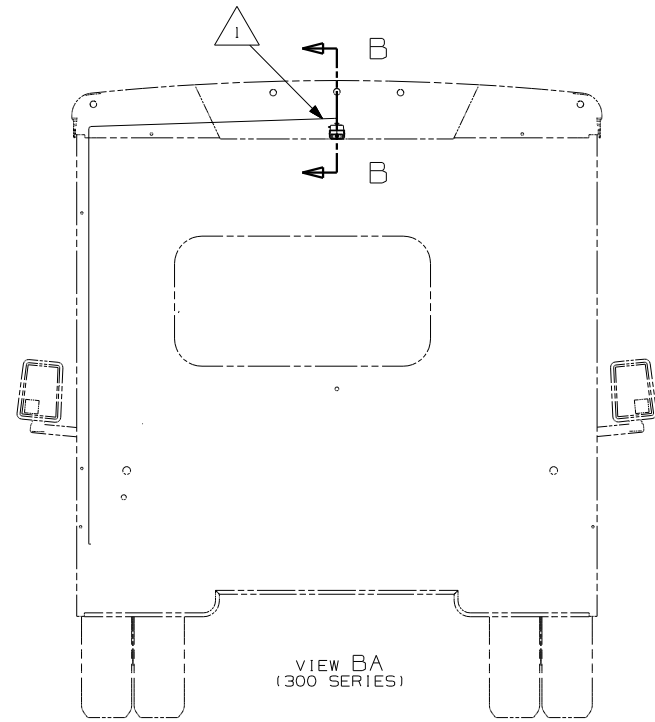
SHEET 1 OF 2 PART NO 148545

REF: 144978-C | 9/2/2004

- 2 WIRE ROUTED IN RECESSED AREA BETWEEN SIDEWALL AND BACKWALL.
- 1 REAR MONITOR CAMERA CABLE IS PART OF WIRE ASSEMBLY CHASSIS AND RUNS ALONG LEFT FRAME RAIL.

FOR ELECTRICAL CALLOUTS SEE DWG NO. 121339-01-000



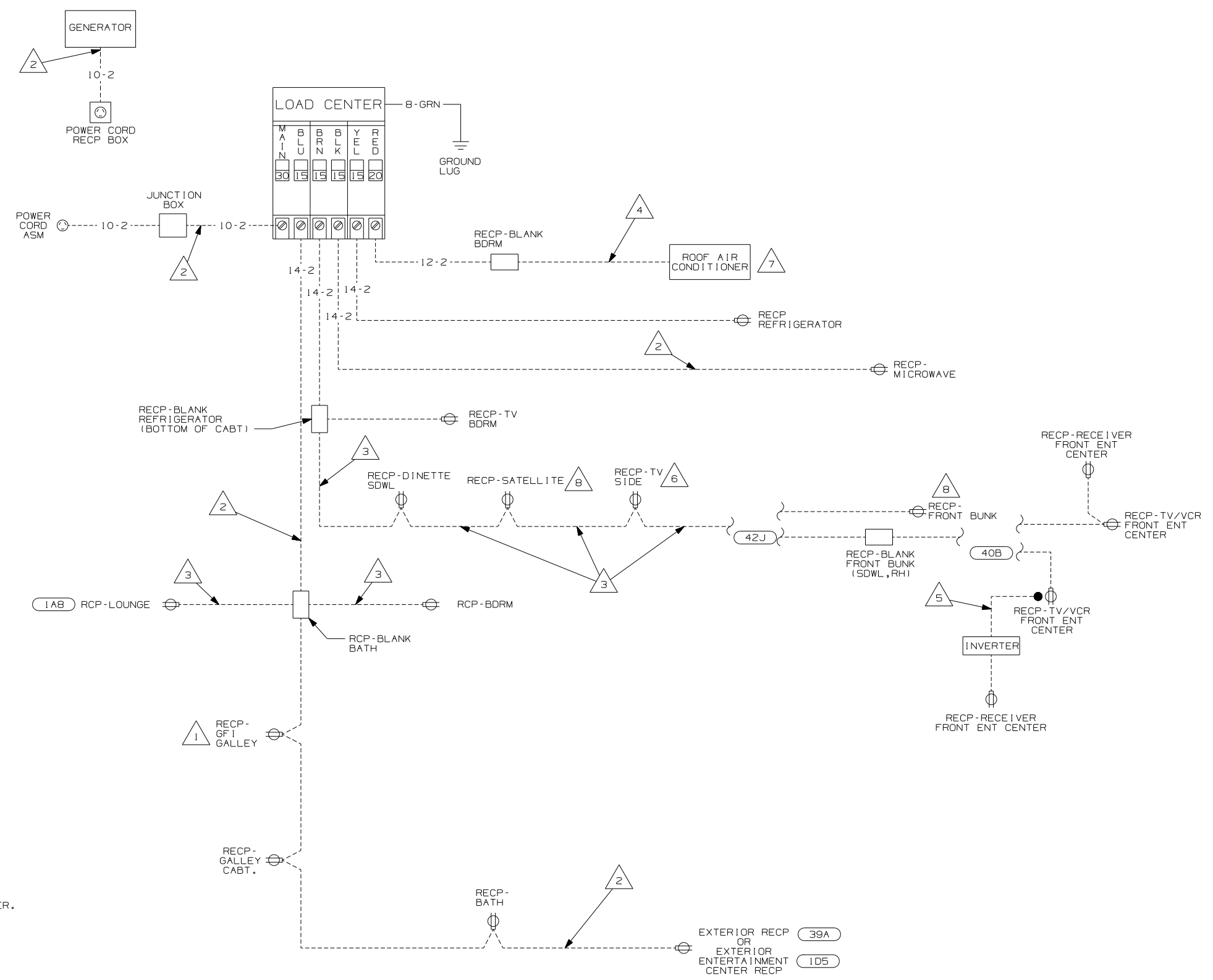


- NOTES:
- 4 MONITOR BRACKET MOUNTING SCREWS TO BE SCREWED INTO FORD INNER WINDSHIELD HEADER AS FAR TO THE PASSENGER SIDE AS ALLOWED BY THE HOLE IN THE HEADER TRIM PANEL.
 - 3 PLUG 3 PIN POWER HARNESS AND REAR MONITOR CABLE INTO REAR MONITOR ASSEMBLY.
 - 2 CUT VINYL PAD AND FOLD MATERIAL BACK INTO OPENING FOR REAR MONITOR MOUNTING PLATE.
 - 1 END CABLE IN THIS AREA ON UNITS WITHOUT MONITOR W/ 1H4.

- 9 SEND REMOVED FORD SUNVISOR TO WAREHOUSE UNDER PART NUMBER 150079-03-000.
- 8 REMOVE FORD SUNVISOR AND MOUNT THE REAR MONITOR REUSING THE FORD SUPPLIED SCREWS. ROUTE THE MONITOR WIRE UNDER THE VINYL PAD AND A-PILLAR COVER.
- 7 MOUNT ADAPTER BOX BEHIND TRIM PANEL WITH FASTENER-DUAL LOCK 85774-01-000 (100mm) & 85774-02-000 (100mm).
- 6 CONNECT REAR MONITOR CABLE TO A/VI WIRE IN ADAPTER BOX.
- 5 REAR MONITOR CABLE IS PART OF THE WIRE ASSEMBLY CHASSIS AND IS TO END BETWEEN SUNVISORS.

- 74A RR MONITOR SYS-SUNVISOR MNTR
- 74J REARVIEW MONITOR SYSTEM
- 1H4 REARVIEW MONITOR-WIRE PREP

| | | |
|------------|----------------------|--------|
| FIRST USED | 05 C-BODIES | |
| TITLE | DO NOT SCALE DRAWING | |
| SHEET 2 | PART NO | 148545 |



- 8 NOT USED WITH (42J)
- 7 SEE MANUFACTURERS DIAGRAM.
- 6 NOT USED WITH (42J) OR (1JR)
- 5 POWER CORD SUPPLIED WITH INVERTER.
- 4 WIRE ROUTED IN ROOF.
- 3 WIRE ROUTED IN SIDEWALL.
- 2 WIRE ROUTED THRU FLOOR.
- 1 ALL WIRES DOWN STREAM AND INCLUDING THIS OUTLET ARE GROUND FAULT CIRCUIT INTERRUPT PROTECTED.

NOTES:

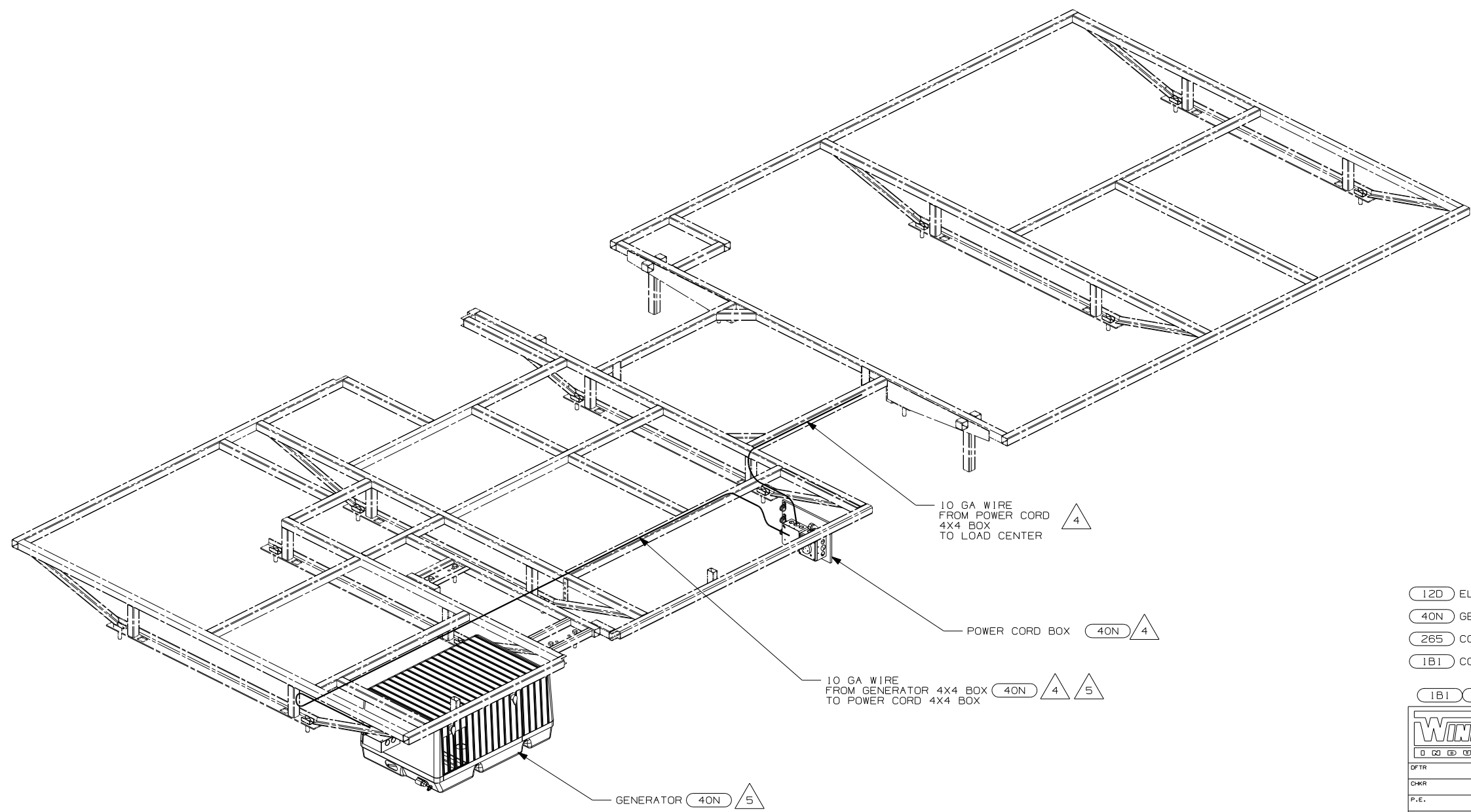
- (1A8) SLIDEOUT ROOM FRONT LEFT WO
- (40B) INVERTER-DC/AC, 300 WATT
- (1D5) ENTERTAINMENT CENTR/EXT W/CD
- (39A) EXT RECEPTACLE DPLX 120VAC
- (1JR) TV-13" W/DVD-12V
- (42J) TV-24" COLOR, STEREO W/REMOTE
- (12D) ELECTRICAL SYSTEM 30 AMP
- (265) CODES/STANDARDS-CSA/CMVSS
- (1B1) CODES/STANDARDS USA

| | | | |
|-------------------------------------|--------------------------------------|---|--|
| WINNEBAGO | | COPYRIGHT 2004 WINNEBAGO INDUSTRIES, INC. | |
| DFTR | ORIG. DATE | | |
| CHKR | ALL DIMENSIONS ARE IN MILLIMETERS | | |
| P.E. | FIRST USED | 05 329K | |
| M.E. | | | |
| DSNR | | | |
| UNSPECIFIED TOLERANCES ARE: | | MATERIAL: | |
| WHOLE DIM (X) | : | | |
| ONE-PLACE (X.X) | : | | |
| TWO-PLACE (X.XX) | : | | |
| ANGLE | : | | |
| THIRD ANGLE PROJECTION | | DO NOT SCALE DRAWING | |
| TITLE: WIRING DIAGRAM-BODY, 110V | | | |
| SHEET 1 OF 1 | PART NO | 150399 | |

FOR ELECTRICAL
TORQUE
SPECIFICATIONS
SEE DWG NO.
128783-01-000

| DRAWING NO. | FEATURE |
|-------------|-------------|
| 150261-01 | |
| 150261-11 | (1B1) (12D) |
| 150261-15 | (265) (12D) |

| | | | |
|----------|-----------------|--------|-----------|
| RELEASE | REV DATE | DWG NO | 150261 |
| REV ZONE | REVISION RECORD | DATE | DFTR-ORIG |



- NOTES:
- ALL WIRES TO BE SECURED WITH CLAMP 10495-01-000 OR CLIP B0734-01-000 EVERY 600MM. USE SCREW G67-10-12B UNLESS OTHERWISE SPECIFIED.
 - ALL 110V WIRE ARE TO BE CLAMPED WITH CLAMP 10497-05-000 WITHIN 200 OF OUTLET BOXES, USE SCREW G67-10-12B.
 - ALL GROUND WIRES TO BE COVERED WITH TUBING 8041-02-000.

(5) SEE GENERATOR INSTL. FOR ADDITIONAL INFORMATION.
 (4) SEE LOAD CENTER INSTL. FOR ADDITIONAL INFORMATION.

FOR ELECTRICAL TORQUE SPECIFICATIONS SEE DWG NO. 128783-01-000

(X-X) FOR ELECTRICAL CALLOUTS SEE DWG NO. 121339-01-000

- (12D) ELECTRICAL SYSTEM 30 AMP
- (40N) GEN-4.0KW-ONAN-GAS-MICROLITE
- (265) CODES/STANDARDS-CSA-CMVSS
- (1B1) CODES/STANDARDS USA

(1B1) (265) (12D)

WINNEBAGO COPYRIGHT 2004 WINNEBAGO INDUSTRIES, INC.

| | |
|------|-----------------------------------|
| DFTR | ORIG. DATE |
| CHKR | ALL DIMENSIONS ARE IN MILLIMETERS |
| P.E. | |
| M.E. | FIRST USED |
| DSNR | 05 329K |

UNSPECIFIED TOLERANCES ARE: MATERIAL:

| | |
|------------------|---|
| WHOLE DIM (X) | : |
| ONE-PLACE (X.X) | : |
| TWO-PLACE (X.XX) | : |
| ANGLE | : |

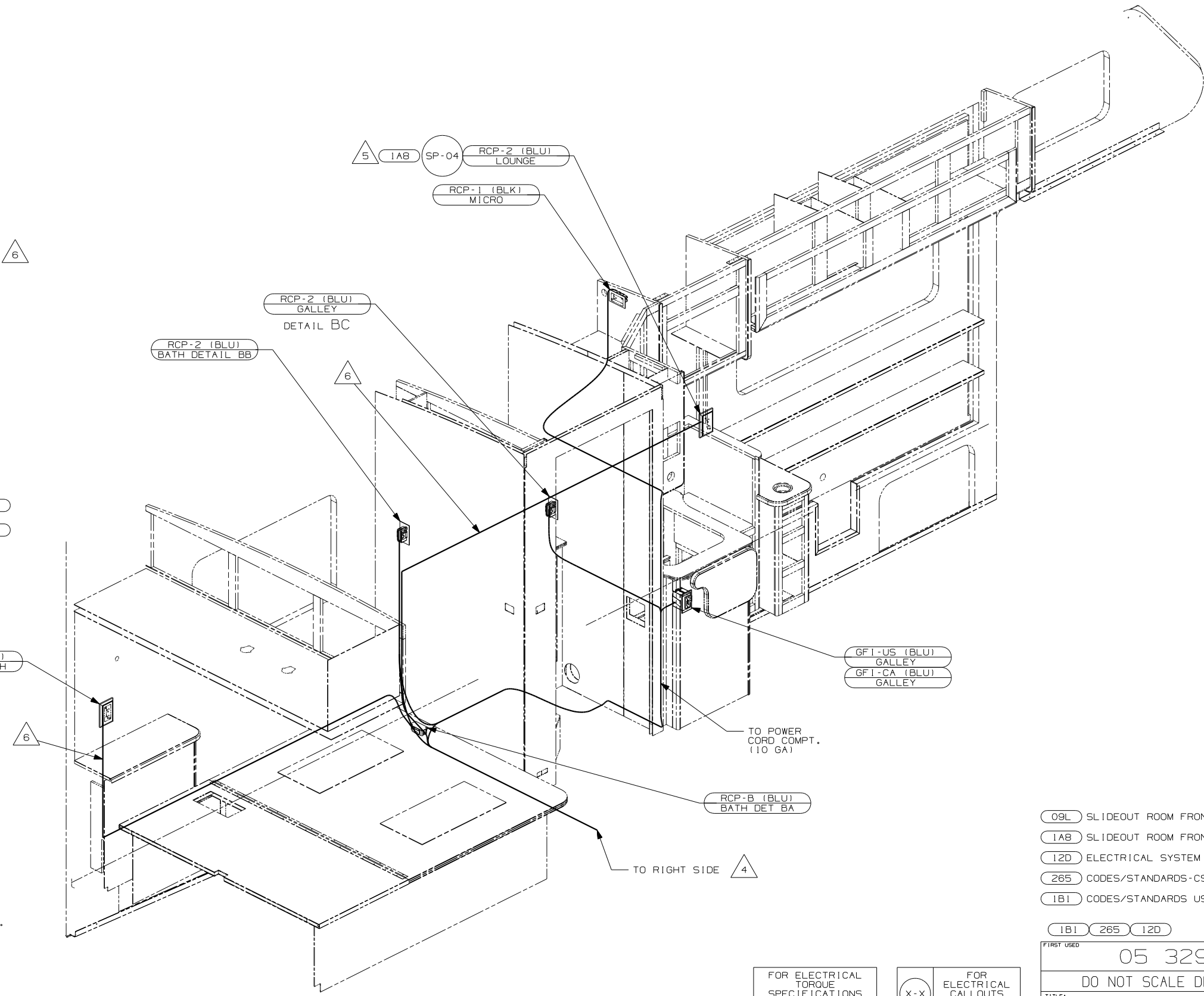
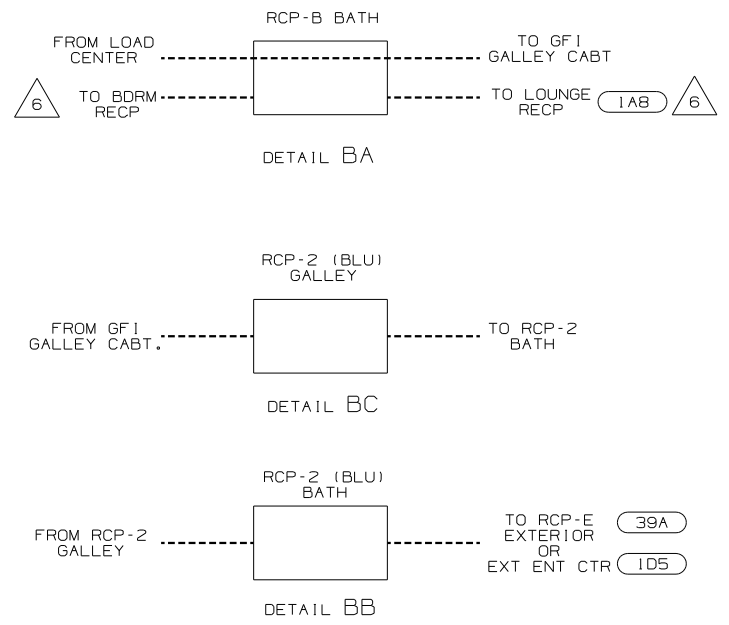
THIRD ANGLE PROJECTION

DO NOT SCALE DRAWING

TITLE: WIRING INSTL-BODY, 110V

SHEET 1 OF 3 PART NO 150261

REF: 47834-A | 04/22/2004



- 6 WIRE ROUTED IN SIDEWALL
- 5 NOT USED WITH 09L
- 4 WIRE ROUTED IN FLOOR.

3. ALL GROUND WIRES TO BE COVERED WITH TUBING 8041-02-000.
2. ALL WIRING TO BE SECURED WITHIN 200 OF OUTLET BOXES.
1. ALL WIRES TO BE SECURED WITH CLAMP 10495-01-000 OR CLIP 80734-01-000 EVERY 600MM. USE SCREW 667-10-12B UNLESS OTHERWISE SPECIFIED.

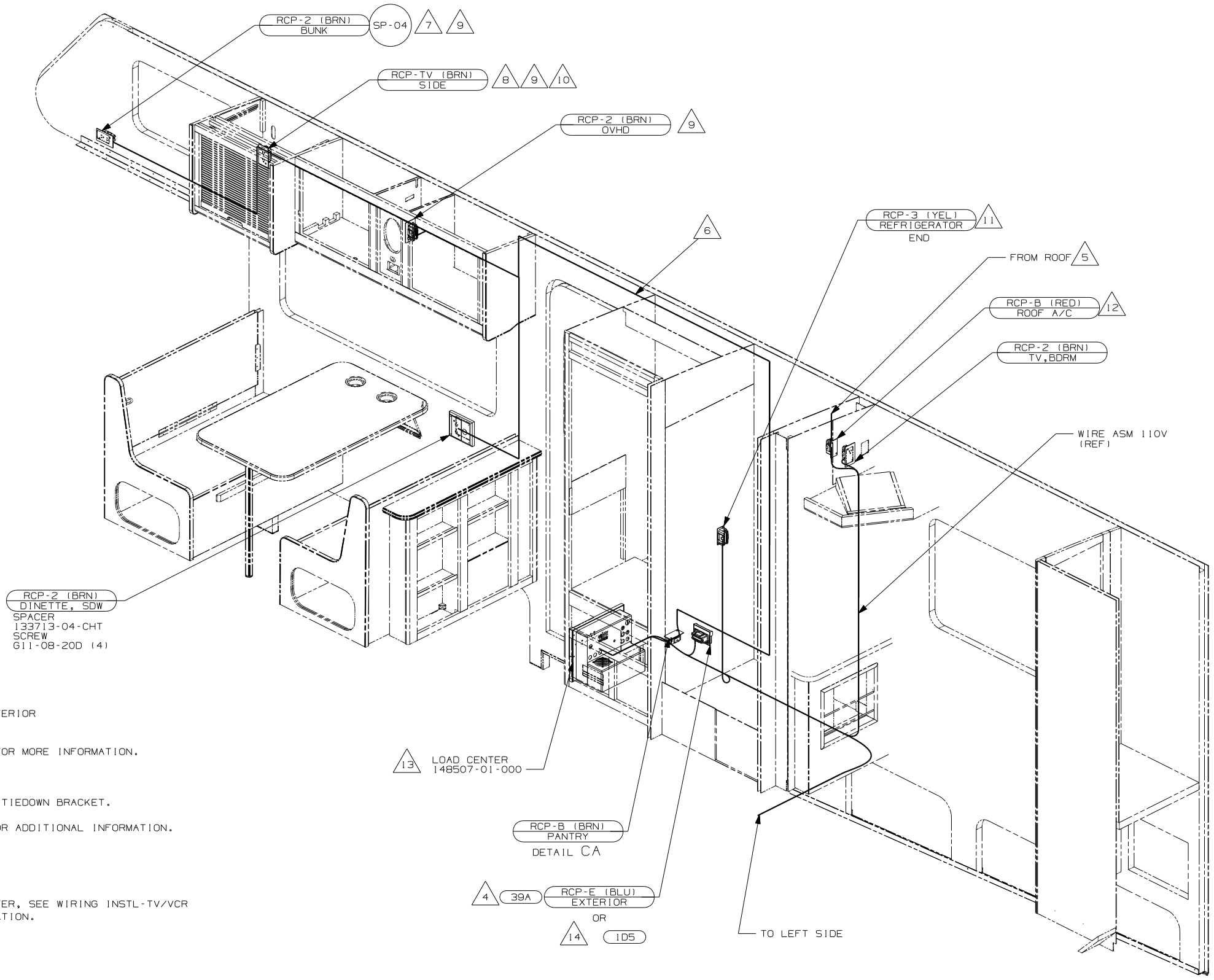
NOTES:

FOR ELECTRICAL TORQUE SPECIFICATIONS SEE DWG NO. 128783-01-000

FOR ELECTRICAL CALLOUTS SEE DWG NO. 121339-01-000

- 09L SLIDEOUT ROOM FRONT LEFT
- 1A8 SLIDEOUT ROOM FRONT LEFT WO
- 12D ELECTRICAL SYSTEM 30 AMP
- 265 CODES/STANDARDS-CSA/CMVSS
- 1B1 CODES/STANDARDS USA

| | |
|----------------------|-------------------------|
| FIRST USED | 05 329K |
| DO NOT SCALE DRAWING | |
| TITLE: | WIRING INSTL-BODY, 110V |
| SHEET 2 | PART NO 150261 |



RCP-2 (BRN)
DINETTE, SDW
SPACER
133713-04-CHT
SCREW
G11-08-20D (4)

13 LOAD CENTER
148507-01-000

RCP-B (BRN)
PANTRY
DETAIL CA

4 39A RCP-E (BLU)
EXTERIOR
OR
14 ID5

RCP-B (BRN)
PANTRY
DETAIL CA

FROM LOAD CENTER --- TO RECP-2, DINETTE 6
--- TO RECP-BDRM, TV

FOR ELECTRICAL
TORQUE
SPECIFICATIONS
SEE DWG NO.
128783-01-000

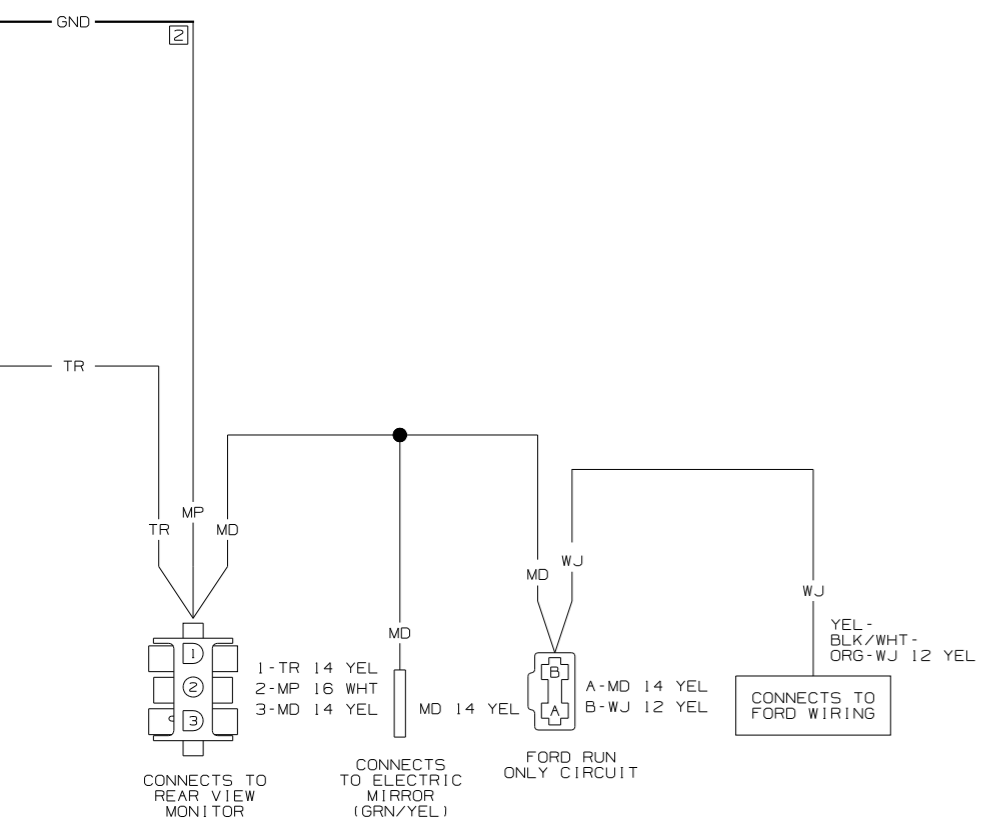
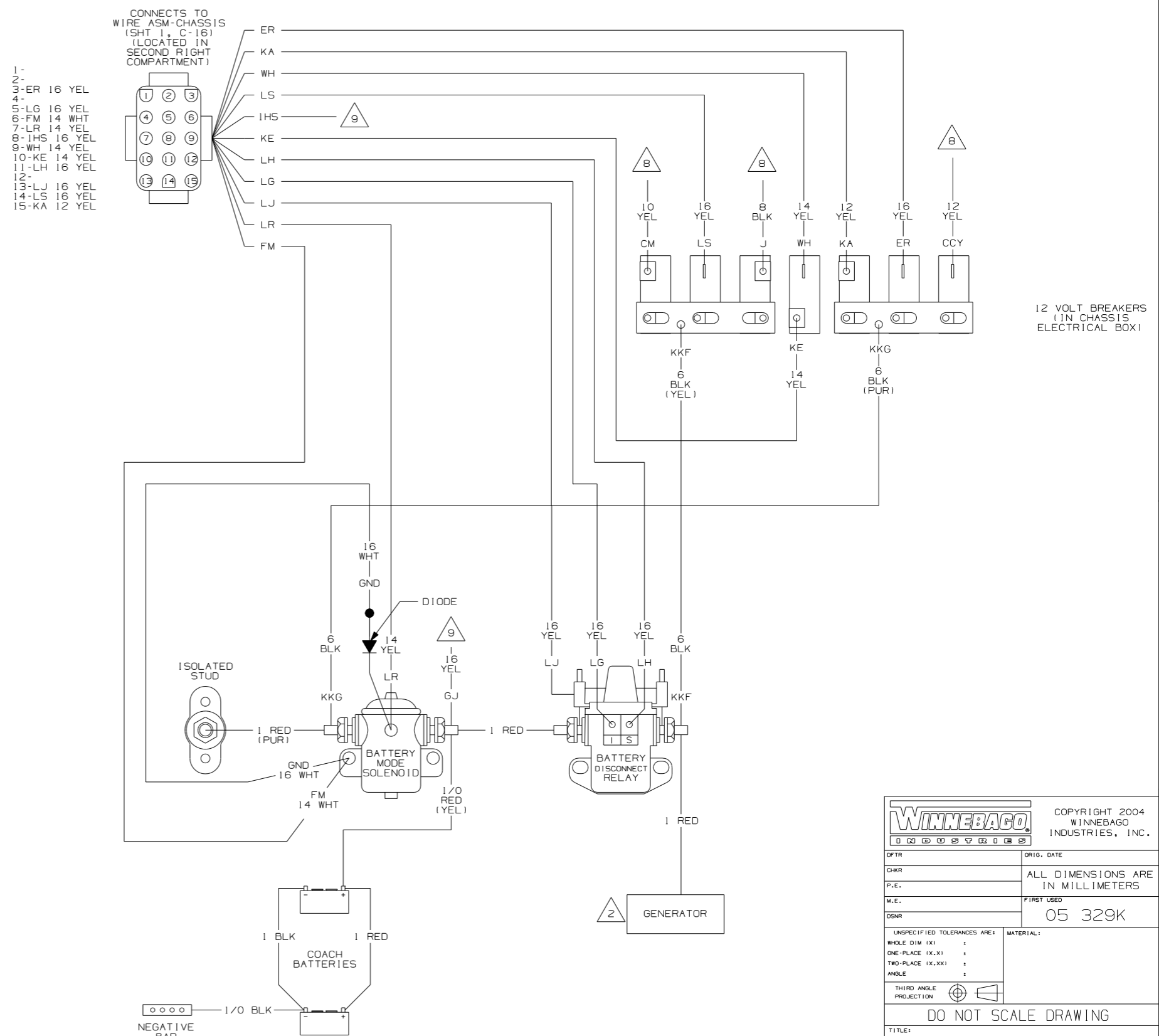
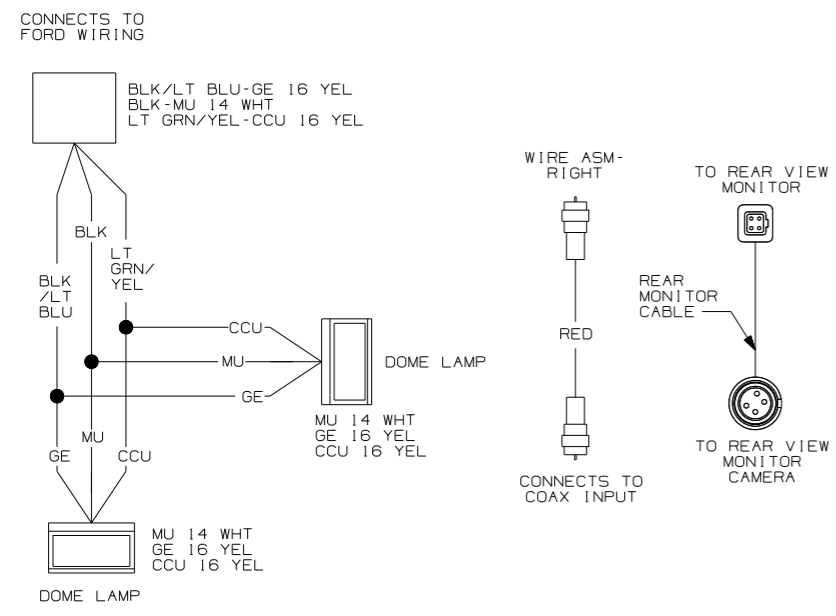
X-X
FOR
ELECTRICAL
CALLOUTS
SEE DWG NO.
121339-01-000

- 14 SEE ENTERTAINMENT CENTER-EXTERIOR FOR ADDITIONAL INFORMATION.
- 13 SEE LOAD CENTER/ATS INSTL. FOR MORE INFORMATION.
- 12 SEE WIRING INSTL-ROOF, AC
- 11 LOCATE REFRIGERATOR RECP ON TIEDOWN BRACKET.
- 10 SEE WIRING INSTL-TV, SIDE FOR ADDITIONAL INFORMATION.
- 9 NOT USED WITH 42J.
- 8 NOT USED WITH 1JR.
- 7 WITH FRONT ENTERTAINMENT CENTER, SEE WIRING INSTL-TV/VCR FRONT FOR ADDITIONAL INFORMATION.
- 6 WIRE ROUTED IN SIDEWALL.
- 5 WIRE ROUTED IN ROOF.
- 4 NOT USED WITH ID5.

- NOTES:
3. ALL GROUND WIRES TO BE COVERED WITH TUBING 8041-02-000.
 2. ALL WIRING TO BE SECURED WITHIN 200 OF OUTLET BOXES.
 1. ALL WIRES TO BE CLAMPED WITH CLAMP 10495-01-000 OR CLIP 80734-01-000 EVERY 1200. USE SCREW G67-10-12B UNLESS OTHERWISE SPECIFIED.

- 265 CODES/STANDARDS-CSA/CMVSS
- 42J TV-24" COLOR, STEREO W/REMOTE
- 39A EXT RECEPTACLE DPLX 120VAC
- 12D ELECTRICAL SYSTEM 30 AMP
- 1JR TV-13" W/DVD-12V
- ID5 ENTERTAINMENT CENTR/EXT W/CD
- 1B1 CODES/STANDARDS USA

| | |
|-----------------------------------|-------------------|
| FIRST USED | |
| 05 329K | |
| DO NOT SCALE DRAWING | |
| TITLE: WIRING INSTL-BODY, 110V | |
| SHEET 3 | PART NO 150261 |



WIRING DIAGRAM-CHASSIS (WIRE ASM 150393-01 REV-A)

WIRING DIAGRAM-ELECTRICAL BOX (WIRE ASM 124125-04 REV-K)

| | | | |
|---------------------------------|------------|---|--|
| WINNEBAGO | | COPYRIGHT 2004 WINNEBAGO INDUSTRIES, INC. | |
| DFTR | ORIG. DATE | ALL DIMENSIONS ARE IN MILLIMETERS | |
| CHRR | | FIRST USED | |
| P.E. | | 05 329K | |
| M.E. | | UNSPECIFIED TOLERANCES ARE: | |
| DSNR | | MATERIAL: | |
| | | WHOLE DIM (XX) : | |
| | | ONE-PLACE (X.X) : | |
| | | TWO-PLACE (X.XX) : | |
| | | ANGLE : | |
| | | THIRD ANGLE PROJECTION | |
| DO NOT SCALE DRAWING | | | |
| TITLE: WIRING DIAGRAM-BODY, 12V | | | |
| SHEET 1 of 6 | | PART NO 150400 | |

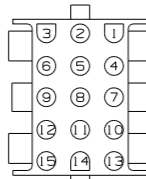
4 WIRE ASM-ELECTRIC STEP

- A-KA 12 YEL
- B-WH 16 YEL
- C-KD 18 WHT
- D-ES 16 YEL



KD ES WH KA

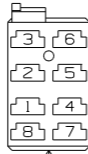
WIRE ASM-ELECTRICAL BOX (SHT 1, D-5)



- 1- 2-
- 3-ER 16 YEL
- 4-
- 5-LG 16 YEL
- 6-FM 14 WHT
- 7-LR 14 YEL
- 8-
- 9-WH 14 YEL
- 10-KE 14 YEL
- 11-LH 16 YEL
- 12-
- 13-LJ 16 YEL
- 14-LS 16 YEL
- 15-KA 12 YEL

KA WH LG LH FM ER KE LR LS

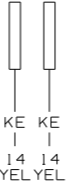
BATTERY CHANGE OVER SWITCH



- 1-LS 16 YEL
- 2-LR 14 YEL
- 3-KE 14 YEL
- 4-
- 5-
- 6-
- 7-
- 8-

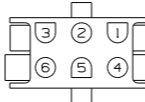
LS LR KE

FORD RUN ONLY CIRCUIT



KE KE 14 14 YEL YEL

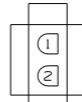
WIRE ASM-RIGHT (SHT 2, D-4) LOCATED BELOW REFRIGERATOR CABT.



- 1-LJ 16 YEL
- 2-ER 16 YEL
- 3-ES 16 YEL
- 4-JD 14 YEL
- 5-NC 14 WHT
- 6-

ER LJ ES JD NC

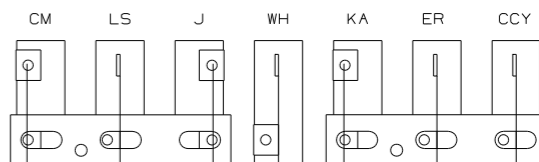
WIRE ASM-SIDEWALL (SHT 6, B-8) LOCATED UNDER DINETTE SEAT.



- 1-CM 10 YEL
- 2-CN 10 WHT

CN CM

12V BREAKERS (LOCATED IN ELECTRICAL BOX)



CM LS J WH KA ER CCY
10 YEL 8 BLK 12 YEL

KD

LG

LH

NC

GND

GND

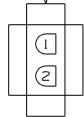
JP

JA

JD

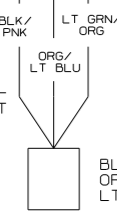
CCY

TR



- 1-JA 14 YEL
- 2-JP 14 WHT

CONNECTS TO PORTABLE RADIOS

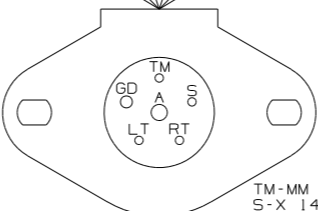


CONNECTS TO FORD WIRING



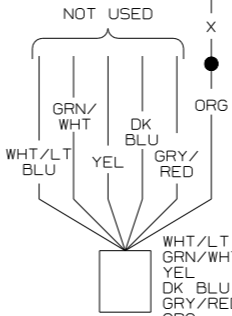
TO WIRE ASM-BACKWALL

- A-SC 14 YEL
- B-X 14 YEL
- C-TR 14 YEL
- D-SD 14 YEL
- E-MM 14 YEL
- F-MS 14 WHT

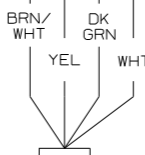


TRAILER HITCH PLUG ASM

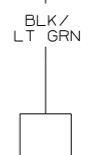
- TM-MM 14 YEL
- S-X 14 YEL
- RT-AAG 14 YEL
- LT-AAF 14 YEL
- GD-MS 14 WHT
- A-AAE 14 YEL



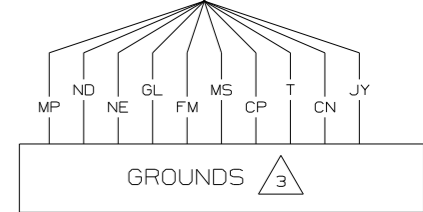
TO FORD WIRING (LOCATED NEAR FORD FUSE PANEL)



CONNECTS TO FORD WIRING

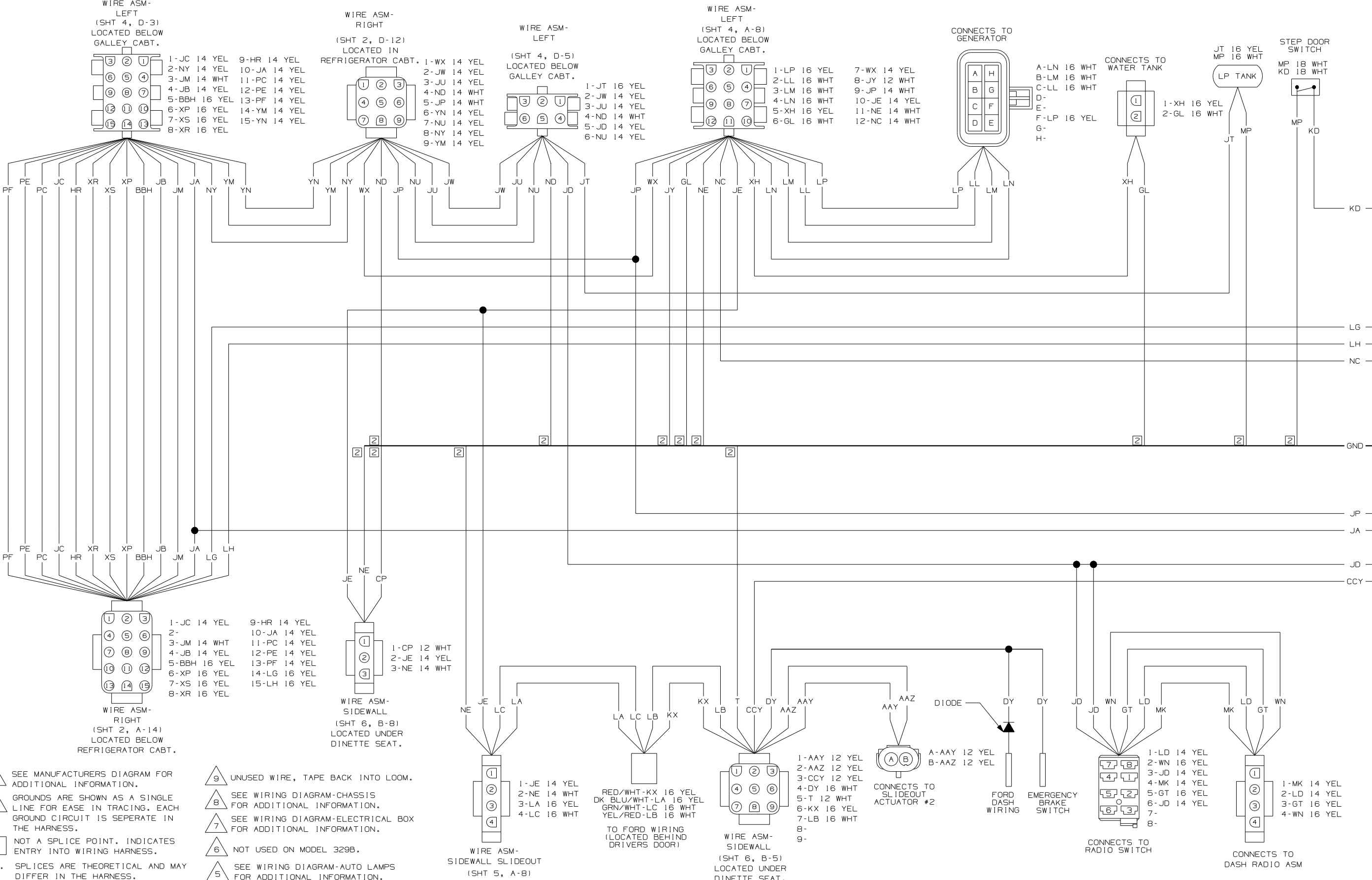


CONNECTS TO FORD WIRING

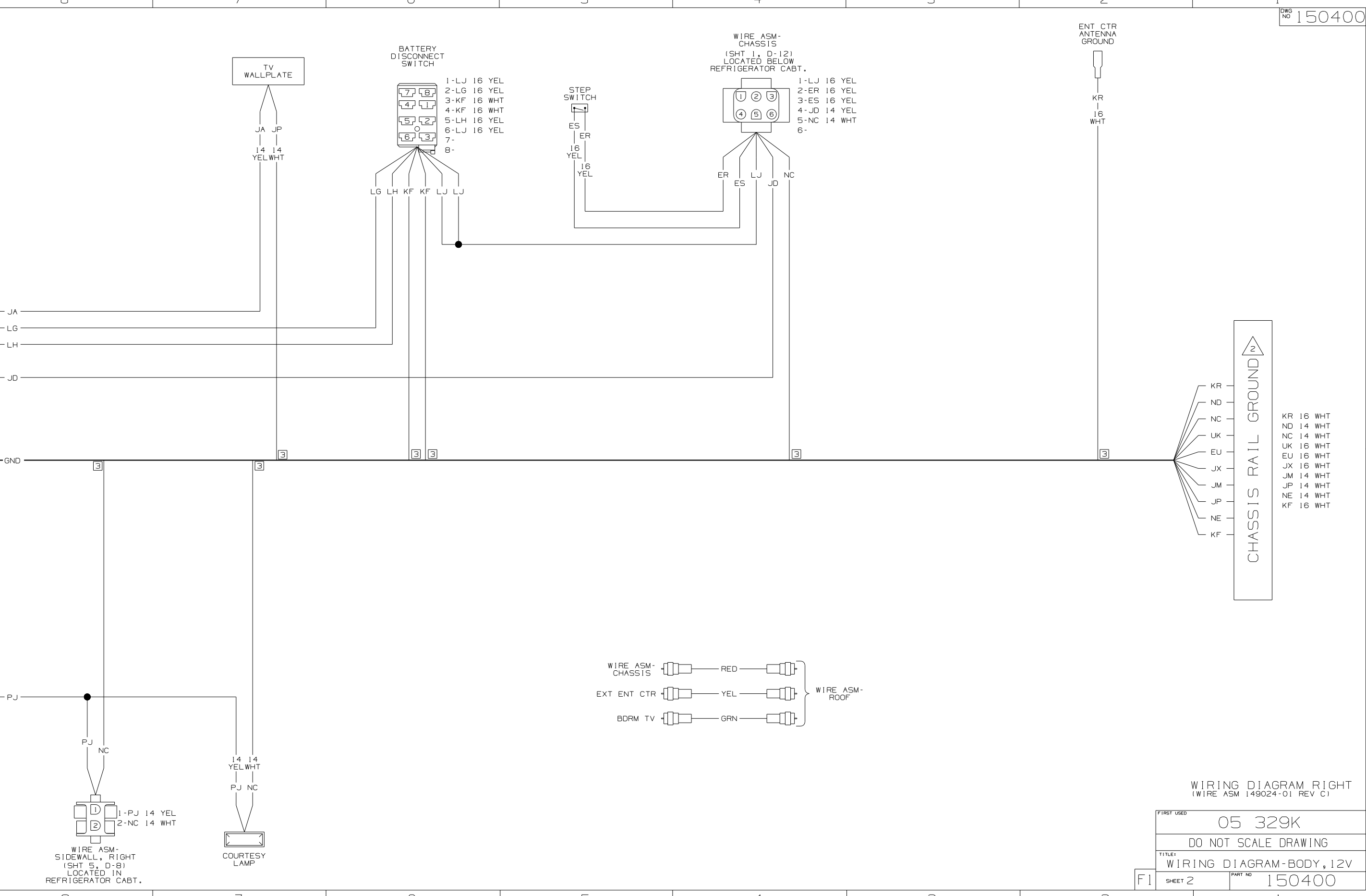


3 GROUNDS

- T 12 WHT
- MP 16 WHT
- ND 14 WHT
- NE 14 WHT
- GL 16 WHT
- FM 14 WHT
- MS 14 WHT
- CP 12 WHT
- CN 10 WHT
- JY 12 WHT

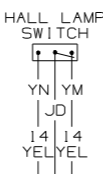
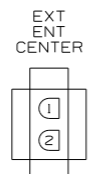
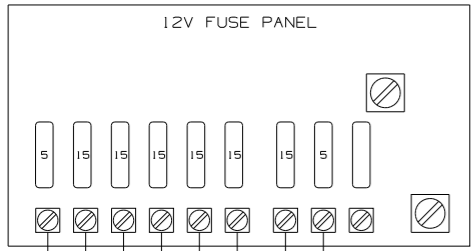


- NOTES:**
- 4 SEE MANUFACTURERS DIAGRAM FOR ADDITIONAL INFORMATION.
 - 3 GROUNDS ARE SHOWN AS A SINGLE LINE FOR EASE IN TRACING. EACH GROUND CIRCUIT IS SEPERATE IN THE HARNESS.
 - 2 NOT A SPLICE POINT. INDICATES ENTRY INTO WIRING HARNESS.
 - 1. SPLICES ARE THEORETICAL AND MAY DIFFER IN THE HARNESS.
 - 9 UNUSED WIRE, TAPE BACK INTO LOOM.
 - 8 SEE WIRING DIAGRAM-CHASSIS FOR ADDITIONAL INFORMATION.
 - 7 SEE WIRING DIAGRAM-ELECTRICAL BOX FOR ADDITIONAL INFORMATION.
 - 6 NOT USED ON MODEL 329B.
 - 5 SEE WIRING DIAGRAM-AUTO LAMPS FOR ADDITIONAL INFORMATION.

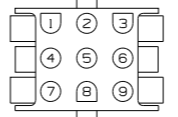


WIRING DIAGRAM RIGHT (WIRE ASM 149024-01 REV C)

| | | |
|------------|--------------------------|--------|
| FIRST USED | 05 329K | |
| TITLE | DO NOT SCALE DRAWING | |
| | WIRING DIAGRAM-BODY, 12V | |
| SHEET 2 | PART NO | 150400 |

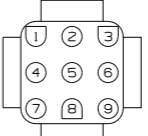


WIRE ASM-CHASSIS
(SHT 1, D-22)
LOCATED IN REFRIGERATOR CABT.

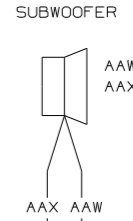


- 1-WX 14 YEL
- 2-JW 14 YEL
- 3-JU 14 YEL
- 4-ND 14 WHT
- 5-JP 14 WHT
- 6-YN 14 YEL
- 7-NU 14 YEL
- 8-NY 14 YEL
- 9-YM 14 YEL

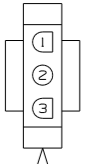
WIRE ASM-ROOF
(SHT 3, D-5)
LOCATED IN BDRM VANITY OVHD



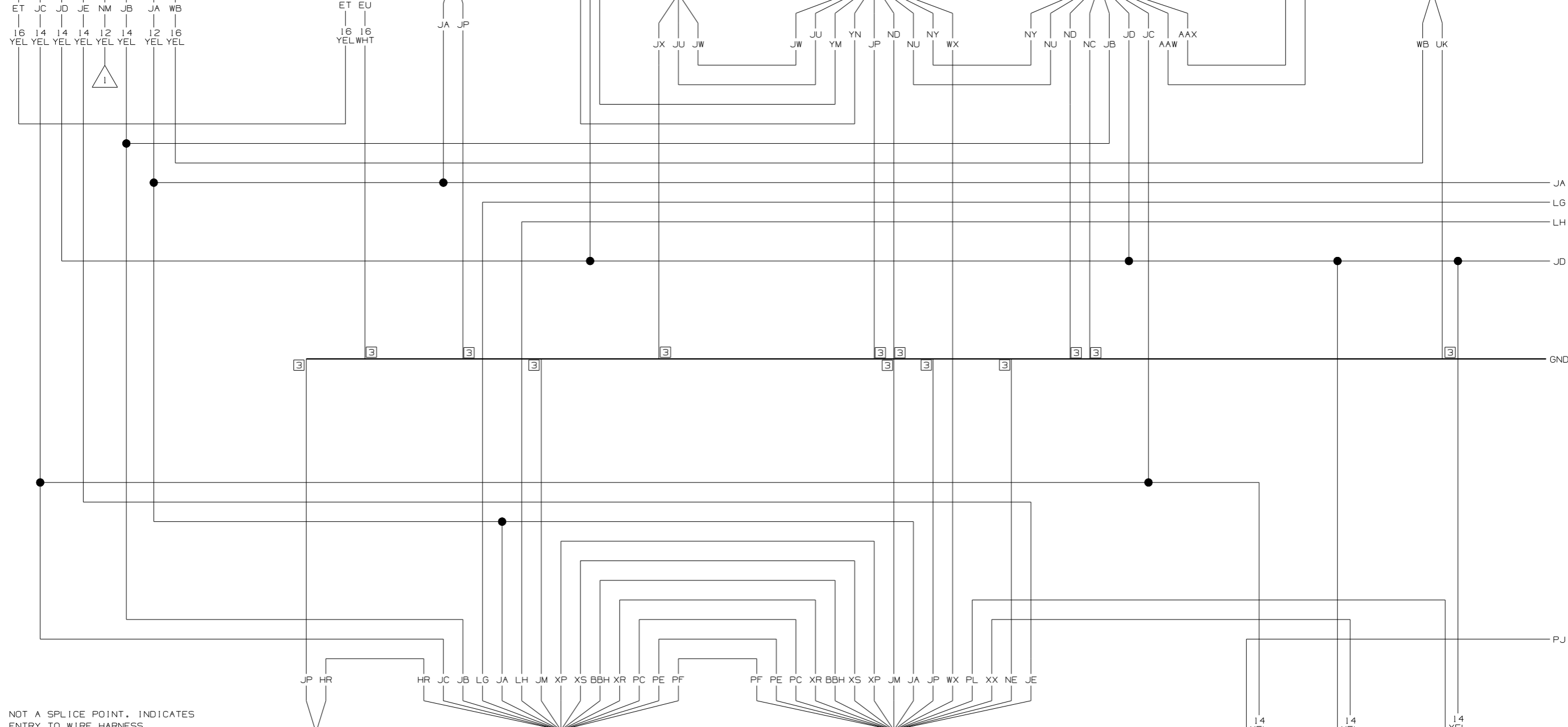
- 1-NU 14 YEL
- 2-NY 14 YEL
- 3-JC 14 YEL
- 4-NC 14 WHT
- 5-ND 14 WHT
- 6-JB 14 YEL
- 7-JD 14 WHT
- 8-AAW 16 YEL
- 9-AAX 16 WHT



LP DETECTOR



- 1-UK 16 WHT
- 2-
- 3-WB 16 YEL

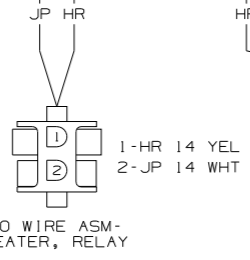


3 NOT A SPLICE POINT. INDICATES ENTRY TO WIRE HARNESS.

2 GROUNDS ARE SHOWN AS A SINGLE LINE FOR EASE IN TRACING. EACH GROUND WIRE IS SEPARATE FROM GROUND BARE OR STUD TO HOUSING OR DEVICES INCLUDED ON THAT PARTICULAR GROUND PATH.

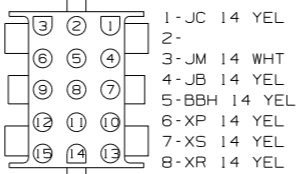
1 LOCATED ON SHT 6, D8.

NOTES:



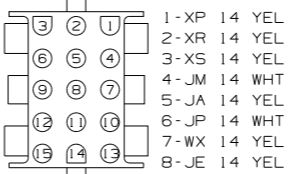
- 1-HR 14 YEL
- 2-JP 14 WHT

TO WIRE ASM-HEATER, RELAY
(SHT 6, D-7)
LOCATED BELOW REFRIGERATOR CABT.



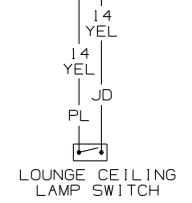
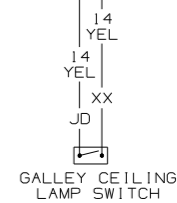
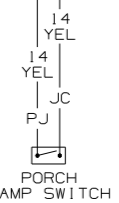
- 1-JC 14 YEL
- 2-
- 3-JM 14 WHT
- 4-JB 14 YEL
- 5-BBH 14 YEL
- 6-XP 14 YEL
- 7-XS 14 YEL
- 8-XR 14 YEL
- 9-HR 14 YEL
- 10-JA 14 YEL
- 11-PC 14 YEL
- 12-PE 14 YEL
- 13-PF 14 YEL
- 14-LG 16 YEL
- 15-LH 16 YEL

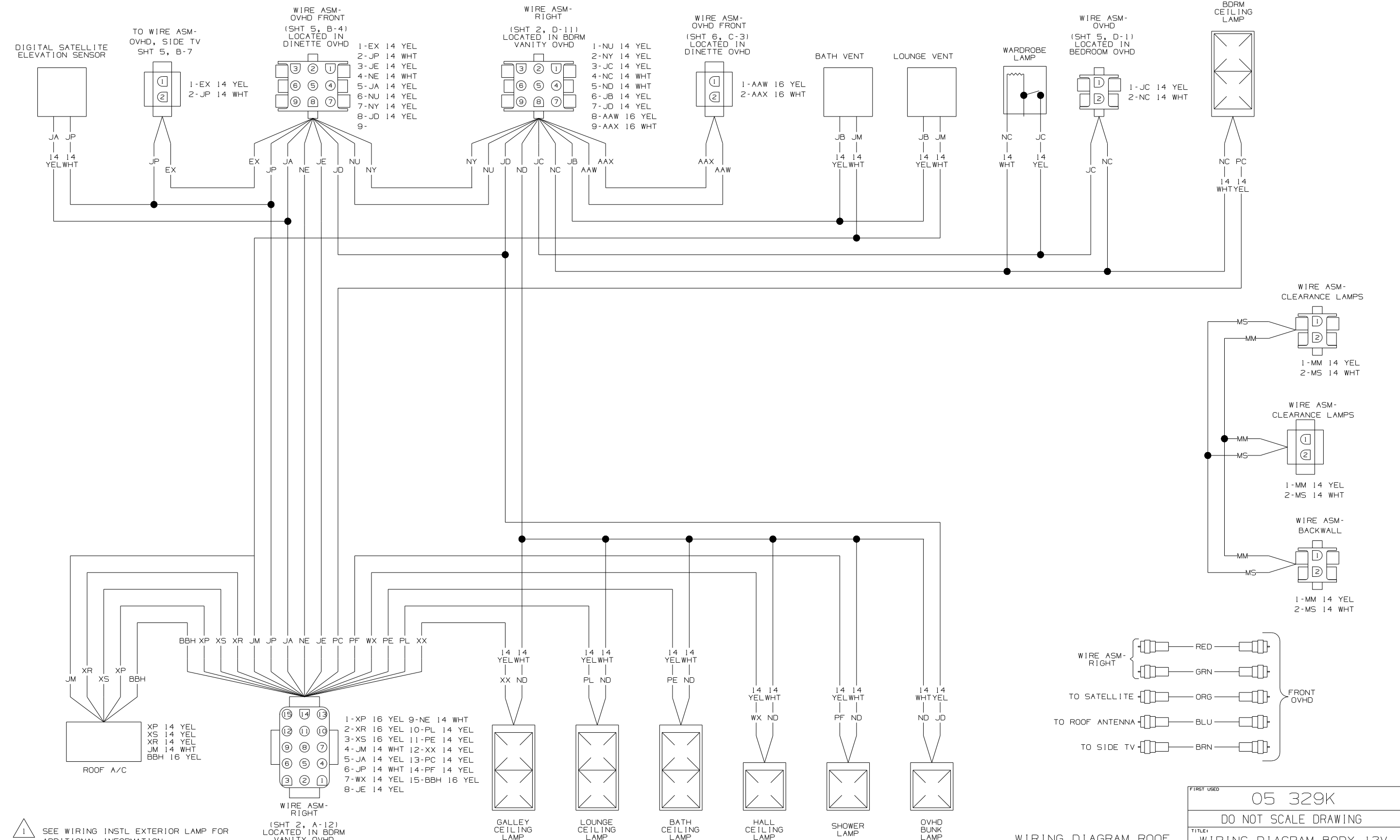
WIRE ASM-CHASSIS
(SHT 1, B-23)
LOCATED BELOW GALLEY CABT.



- 1-XP 14 YEL
- 2-XR 14 YEL
- 3-XS 14 YEL
- 4-JM 14 WHT
- 5-JA 14 YEL
- 6-JP 14 WHT
- 7-WX 14 YEL
- 8-JE 14 YEL
- 9-NE 14 WHT
- 10-PL 14 YEL
- 11-PE 14 YEL
- 12-XX 14 YEL
- 13-PC 14 YEL
- 14-PF 14 YEL
- 15-BBH 14 YEL

WIRE ASM-ROOF
(SHT 3, A-7)
LOCATED IN BDRM VANITY OVHD



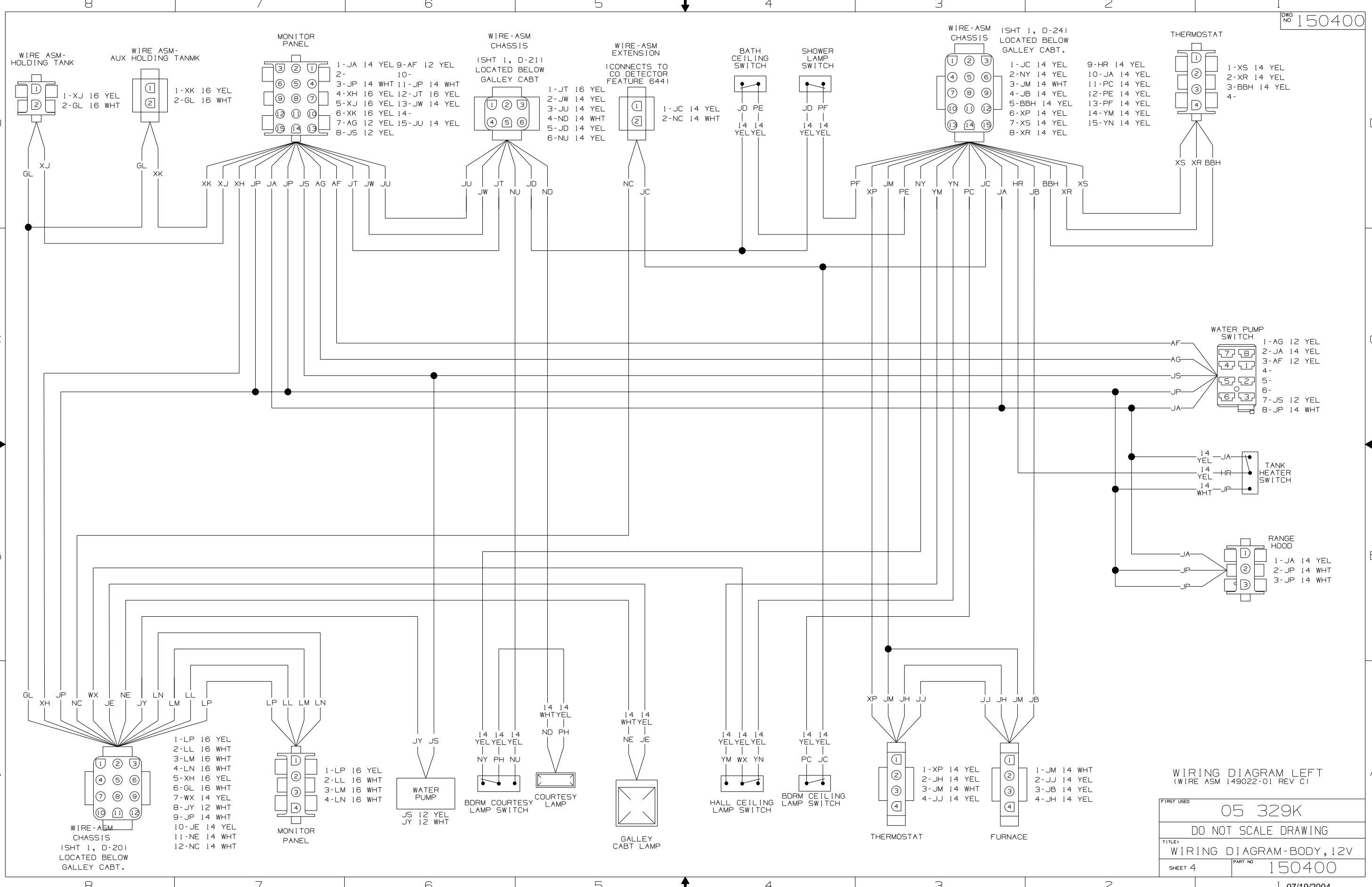


NOTES:
 1 SEE WIRING INSTL EXTERIOR LAMP FOR ADDITIONAL INFORMATION.

(SHT 2, A-12) LOCATED IN BDRM VANITY OVHD

WIRING DIAGRAM ROOF
 (WIRE ASM 150392-01 REV A)

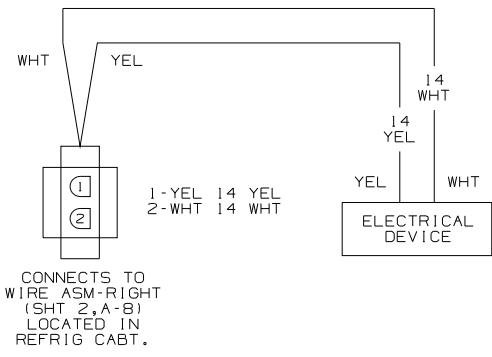
| | |
|----------------------|--------------------------|
| FIRST USED | 05 329K |
| DO NOT SCALE DRAWING | |
| TITLE: | WIRING DIAGRAM-BODY, 12V |
| SHEET 3 | PART NO 150400 |



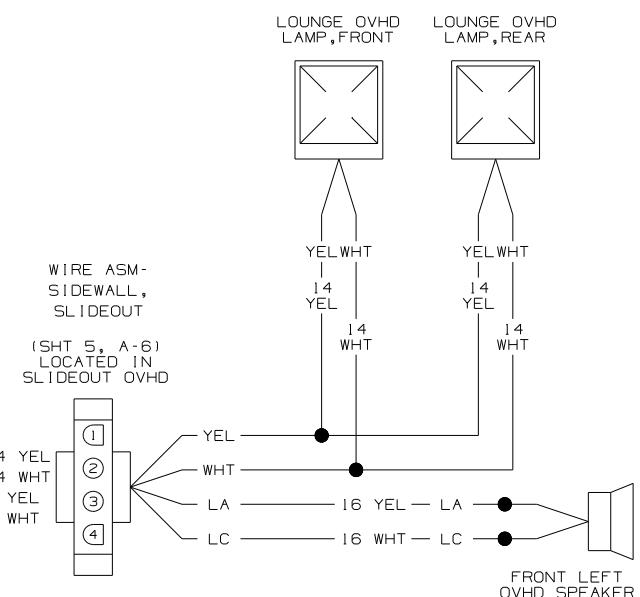
WIRING DIAGRAM LEFT
(WIRE ASM 149022-01 REV C)

| | |
|----------------------|--------------------------|
| FIRST USED | 05 329K |
| DO NOT SCALE DRAWING | |
| TITLE: | WIRING DIAGRAM-BODY, 12V |
| SHEET 4 | PART NO 150400 |

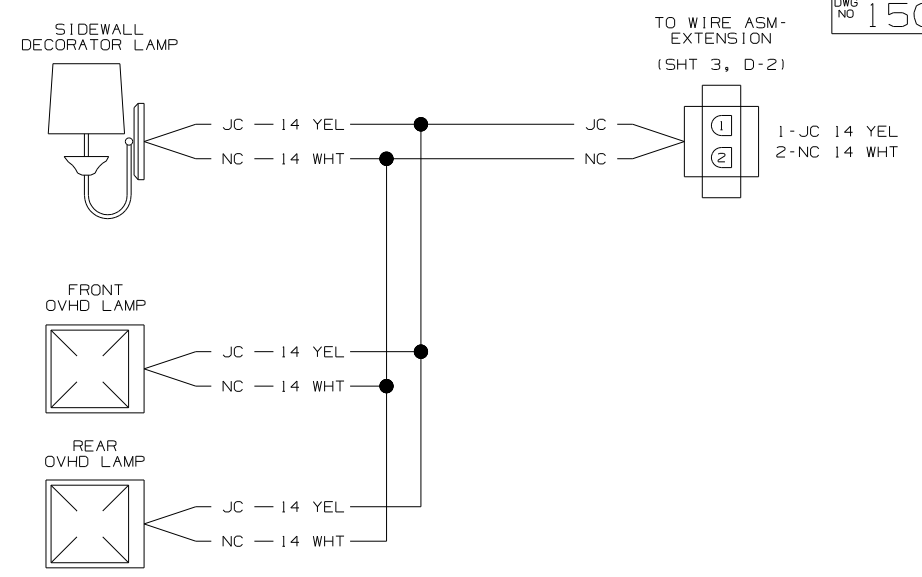
1 07/19/2004



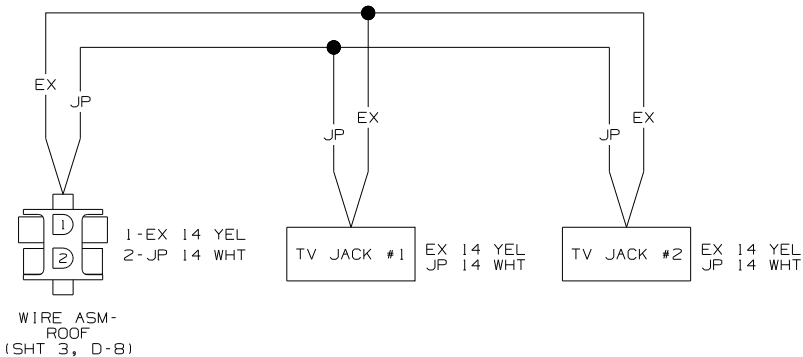
WIRING DIAGRAM-EXTENSION, 2 PIN
(WIRE ASM 133572-01)



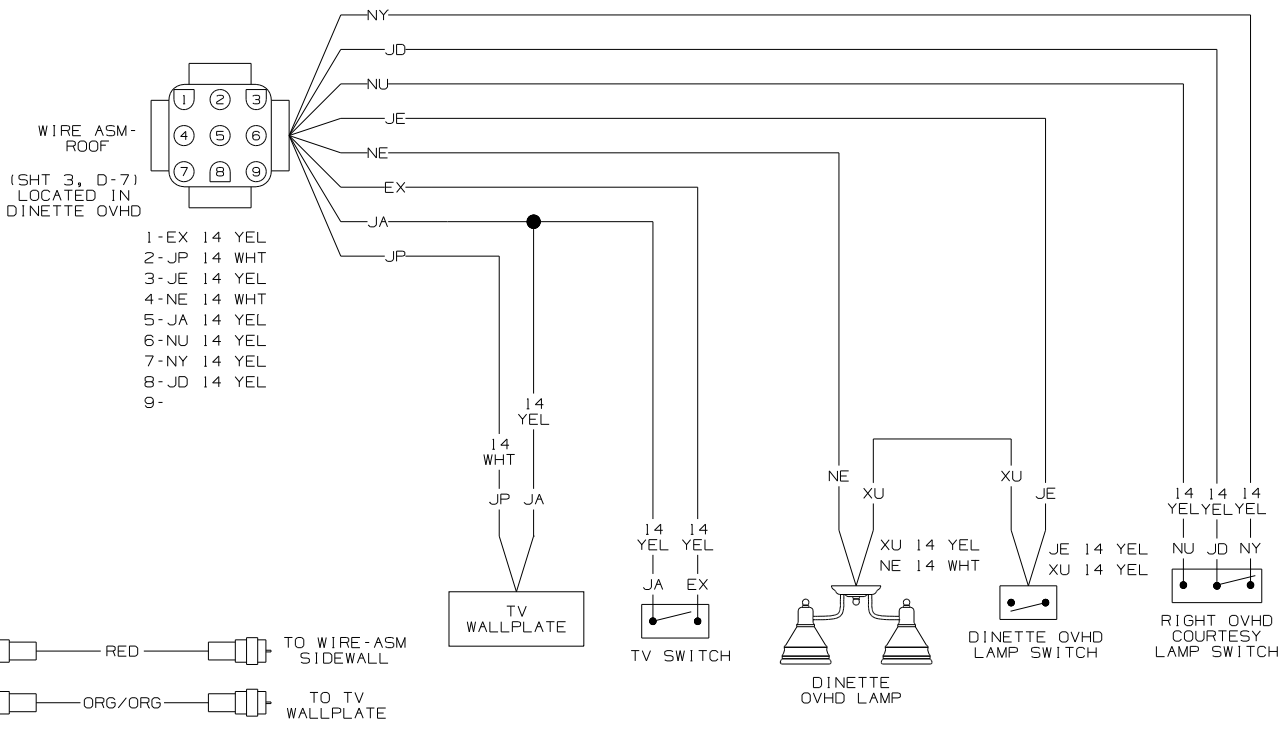
WIRING DIAGRAM OVHD,SLIDEOUT
(WIRE ASM 150395-01 REV A)



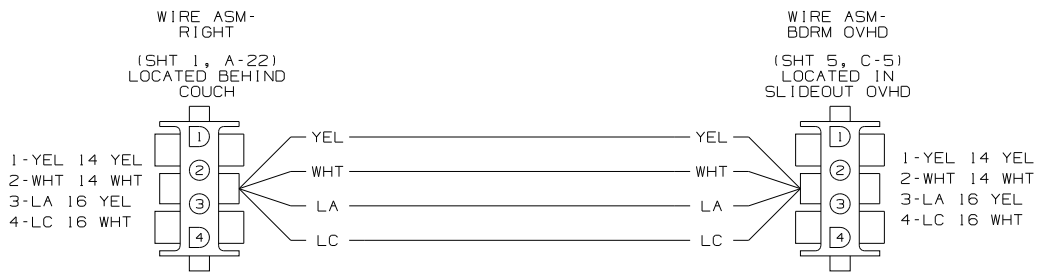
WIRING DIAGRAM OVHD
(WIRE ASM 127873-03 REV E)



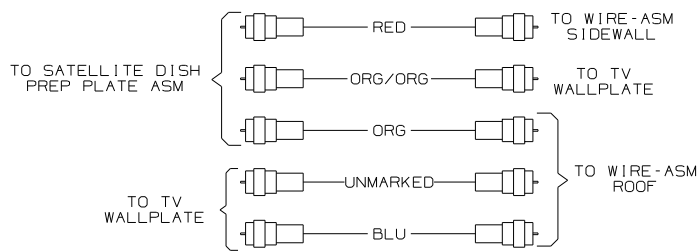
WIRING DIAGRAM OVHD,TV
(WIRE ASM 149050 REV A)



WIRING DIAGRAM OVHD,RIGHT
(WIRE ASM 149026 REV B)

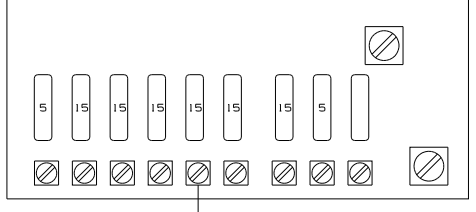


WIRING DIAGRAM SIDEWALL
(WIRE ASM 150394-01 REV A)

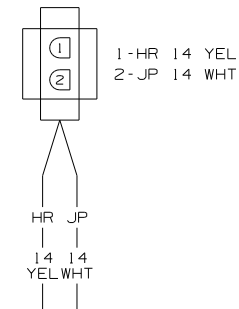


| | |
|------------|-------------------------|
| FIRST USED | 05 329K |
| TITLE | DO NOT SCALE DRAWING |
| TITLE | WIRING DIAGRAM-BODY,12V |
| SHEET 5 | PART NO 150400 |

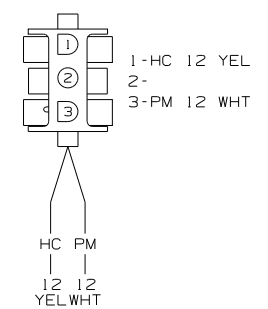
12V FUSE PANEL



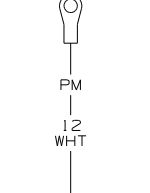
WIRE ASM- RIGHT (SHT 2, A-15) LOCATED BELOW REFRIGERATOR CABT.



WIRE ASM- HEATER TANKS (SHT 6, D-4) LOCATED BELOW REFRIGERATOR CABT.

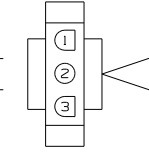


CHASSIS RAIL GROUND



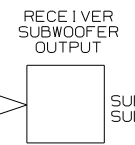
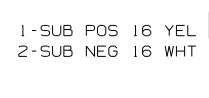
WIRING DIAGRAM HEATER, RELAY (WIRE ASM 134550-01)

WIRE ASM- HEATER, RELAY (SHT 6, D-6) LOCATED BELOW REFRIGERATOR CABT.

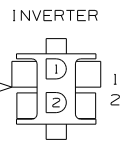
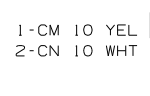


WIRING DIAGRAM HEATER, TANKS (WIRE ASM 134551-10)

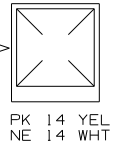
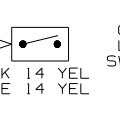
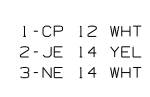
WIRE ASM- ROOF (SHT 3, D-4) LOCATED IN DINETTE OVHD



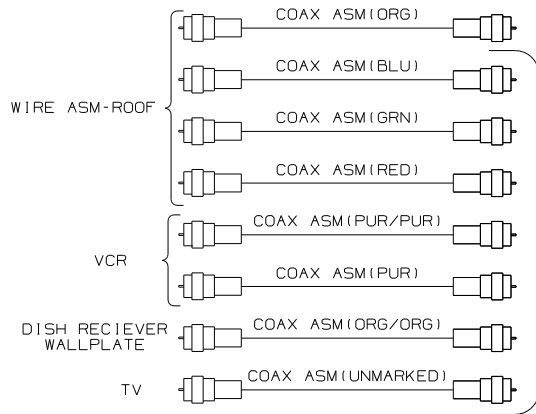
WIRE ASM- SIDEWALL (SHT 6, C-6) LOCATED IN DINETTE OVHD



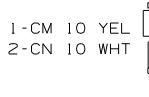
WIRE ASM- SIDEWALL (SHT 6, B-6) LOCATED IN DINETTE OVHD



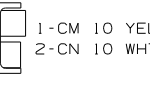
WIRING DIAGRAM TV, FRONT (WIRE ASM 148752-02 REV C) 42J



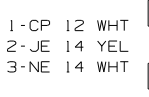
WIRE ASM- CHASSIS (SHT 1, D-11) LOCATED UNDER DINETTE



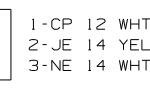
WIRE ASM- TV, FRONT (SHT 6, B-3) LOCATED IN DINETTE OVHD



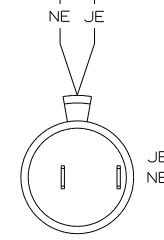
WIRE ASM- CHASSIS (SHT 1, A-22) LOCATED UNDER DINETTE



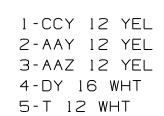
WIRE ASM- TV, FRONT (SHT 6, B-3) LOCATED IN DINETTE OVHD



WIRE ASM- CHASSIS (SHT 1, A-20) LOCATED UNDER DINETTE SEAT.



SLIDEOUT SWITCH

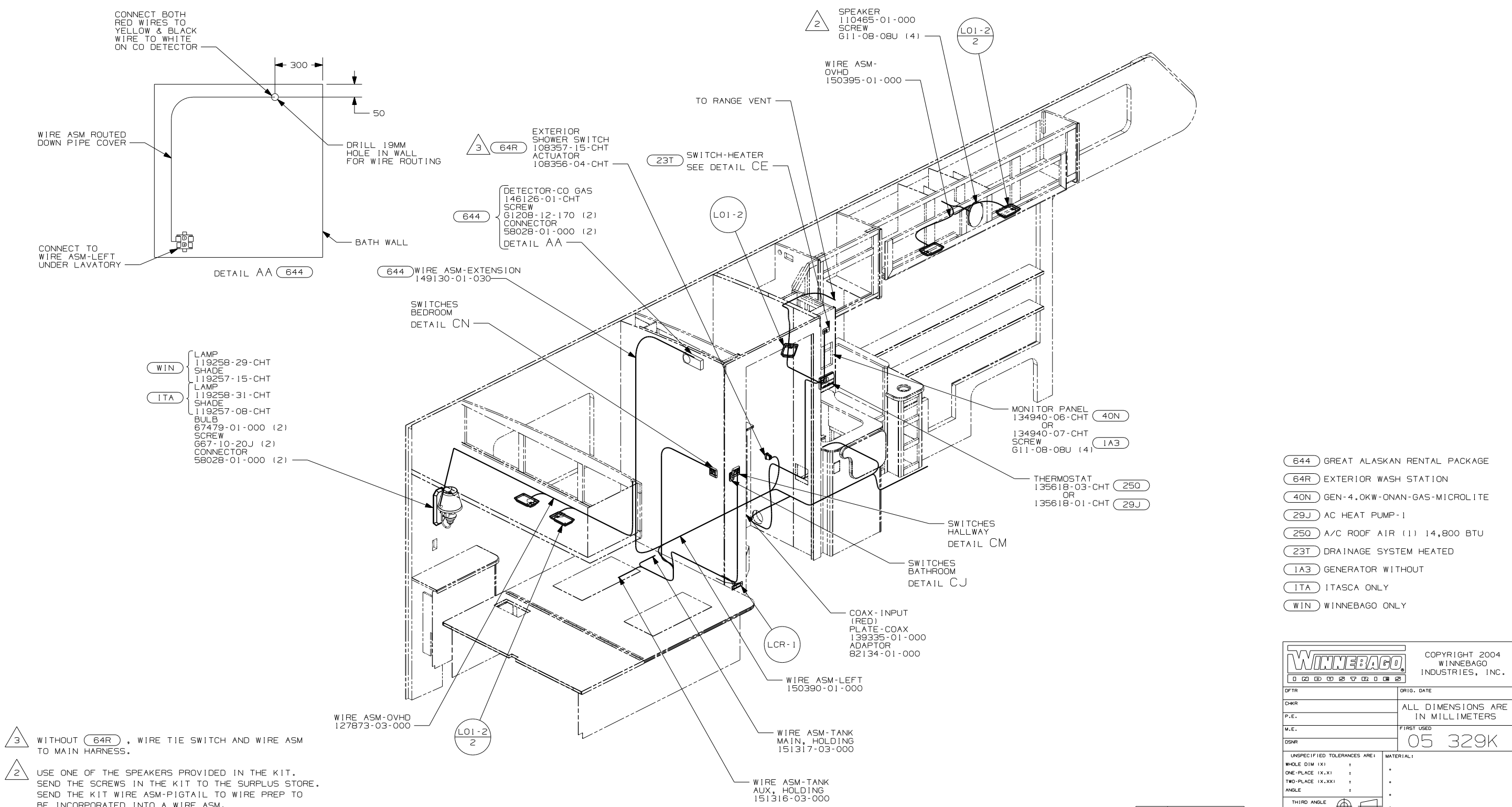


WIRING DIAGRAM SIDEWALL (WIRE ASM 149009-01 REV-D)

| | |
|---------------------------------|----------------|
| FIRST USED | 05 329K |
| DO NOT SCALE DRAWING | |
| TITLE: WIRING DIAGRAM-BODY, 12V | |
| SHEET 6 | PART NO 150400 |

| DRAWING NO. | FEATURE |
|-------------|---------|
| 150262-01 | (WIN) |
| 150262-02 | (ITA) |

| | | | |
|----------|-----------------|--------|-----------|
| RELEASE | REV DATE | DWG NO | 150262 |
| REV ZONE | REVISION RECORD | DATE | DFTR-ORIG |



- 3 WITHOUT (64R), WIRE TIE SWITCH AND WIRE ASM TO MAIN HARNESS.
- 2 USE ONE OF THE SPEAKERS PROVIDED IN THE KIT. SEND THE SCREWS IN THE KIT TO THE SURPLUS STORE. SEND THE KIT WIRE ASM-PIGTAIL TO WIRE PREP TO BE INCORPORATED INTO A WIRE ASM.

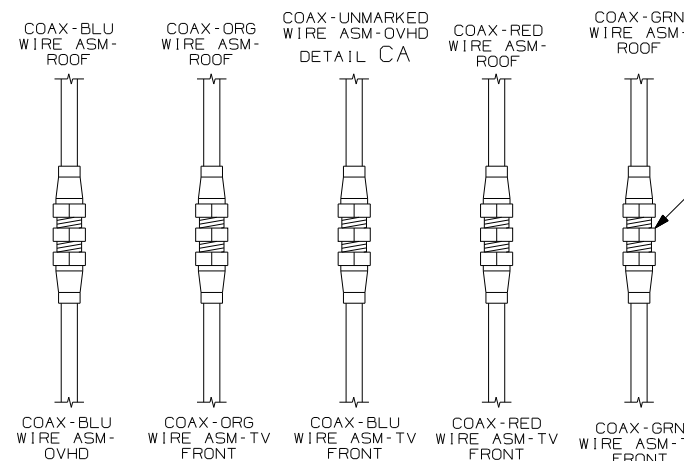
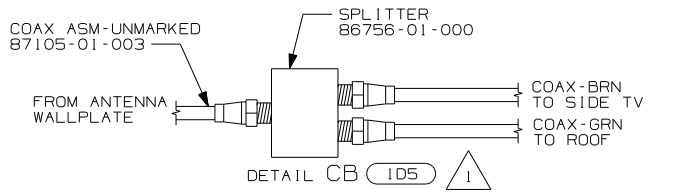
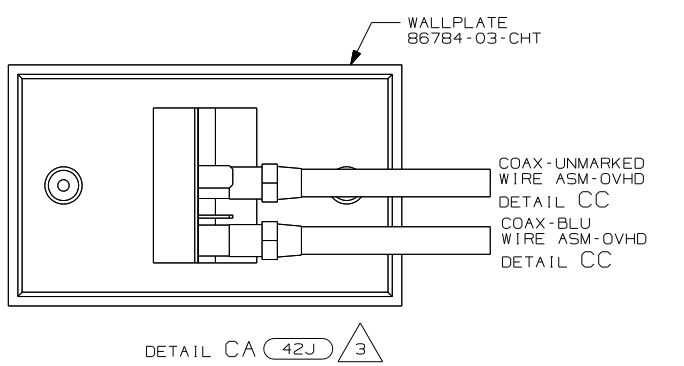
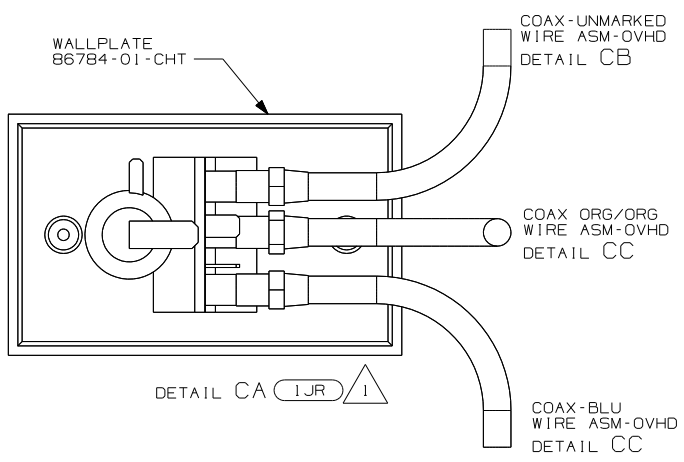
1. ALL WIRES TO BE SECURED WITH CLAMP 10495-01-000 OR CLIP 80734-01-000 EVERY 600MM. USE SCREW 667-10-12B UNLESS OTHERWISE SPECIFIED.

NOTES:

(X-X) FOR ELECTRICAL CALLOUTS SEE DWG NO. 121339-01-000

- (644) GREAT ALASKAN RENTAL PACKAGE
- (64R) EXTERIOR WASH STATION
- (40N) GEN-4.0KW-ONAN-GAS-MICROLITE
- (29J) AC HEAT PUMP-1
- (250) A/C ROOF AIR (1) 14,800 BTU
- (23T) DRAINAGE SYSTEM HEATED
- (1A3) GENERATOR WITHOUT
- (ITA) ITASCA ONLY
- (WIN) WINNEBAGO ONLY

| | | | |
|-------------------------------|------------|---|---|
| WINNEBAGO | | COPYRIGHT 2004 WINNEBAGO INDUSTRIES, INC. | |
| DFTR | ORIG. DATE | ALL DIMENSIONS ARE IN MILLIMETERS | |
| CHKR | | FIRST USED | |
| P.E. | | 05 329K | |
| M.E. | | UNSPECIFIED TOLERANCES ARE: | |
| DSNR | | MATERIAL: | |
| | | WHOLE DIM (X) | : |
| | | ONE-PLACE (X.X) | : |
| | | TWO-PLACE (X.XX) | : |
| | | ANGLE | : |
| | | THIRD ANGLE PROJECTION | : |
| DO NOT SCALE DRAWING | | | |
| TITLE: WIRING INSTL-BODY, 12V | | | |
| SHEET 1 OF 5 | | PART NO 150262 | |
| REF: 147833-C 7/5/2004 | | | |



NOTES:

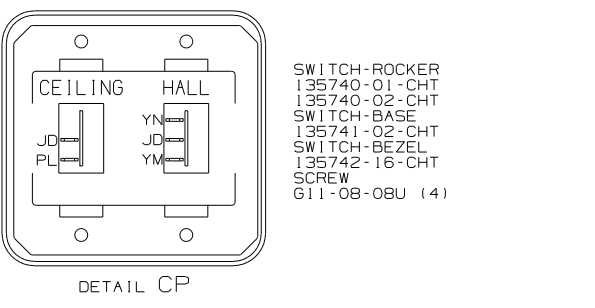
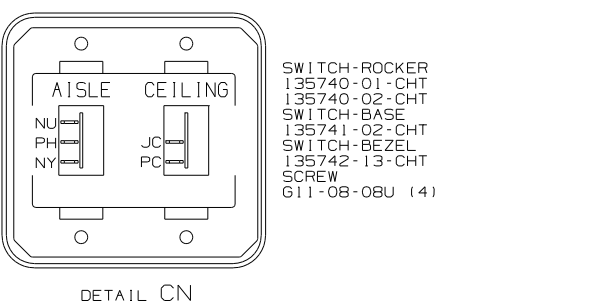
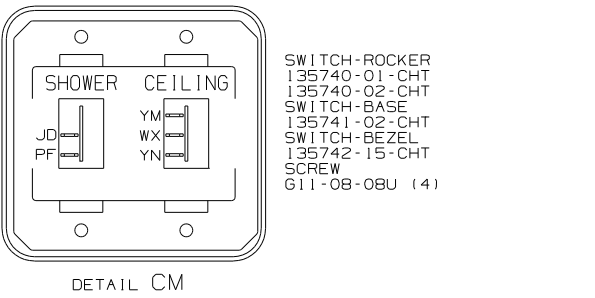
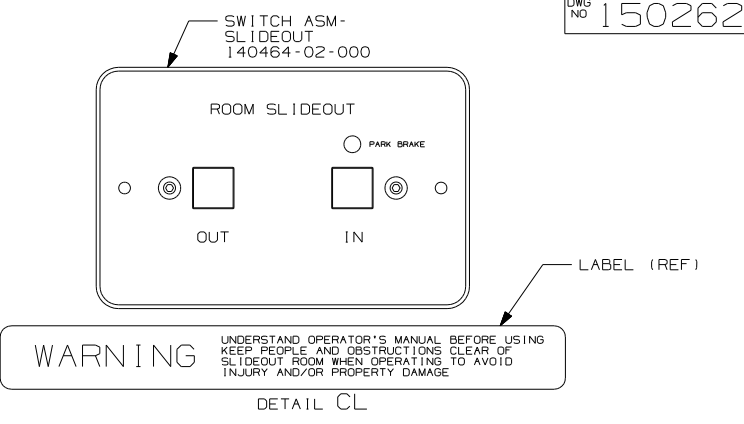
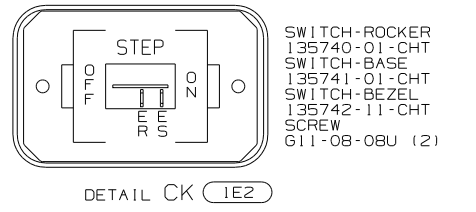
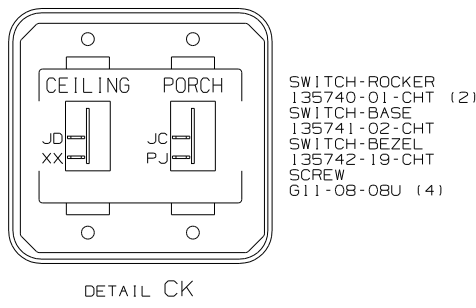
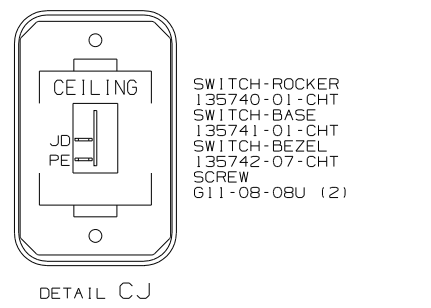
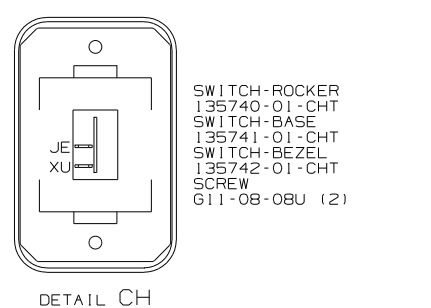
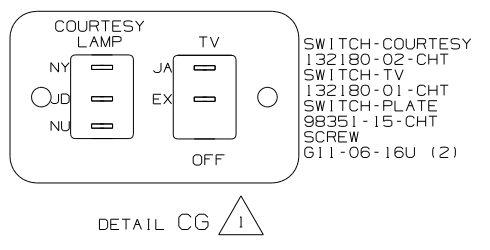
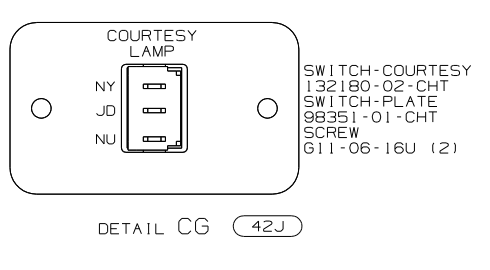
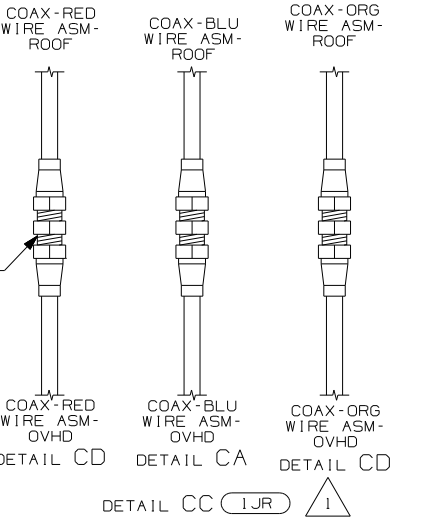
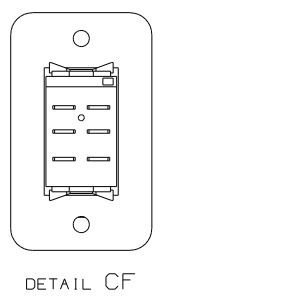
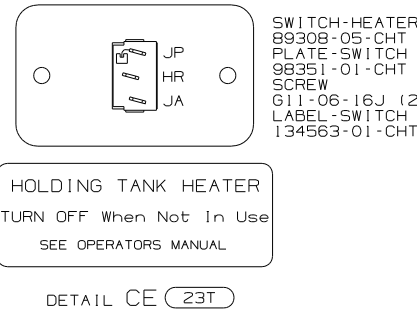
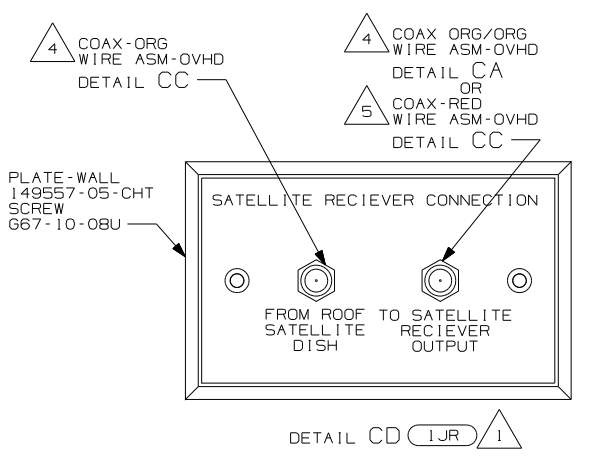
3 NOT USED WITH 1JR.

2 WITHOUT 1D5 USE ADAPTOR TO CONNECT GRN COAX FROM WIRE ASM-ROOF TO GRN COAX FRM WIRE ASM-RIGHT.

1 NOT USED WITH 43B.

5 CONNECT COAX TO FRONT SIDE OF WALLPLATE.

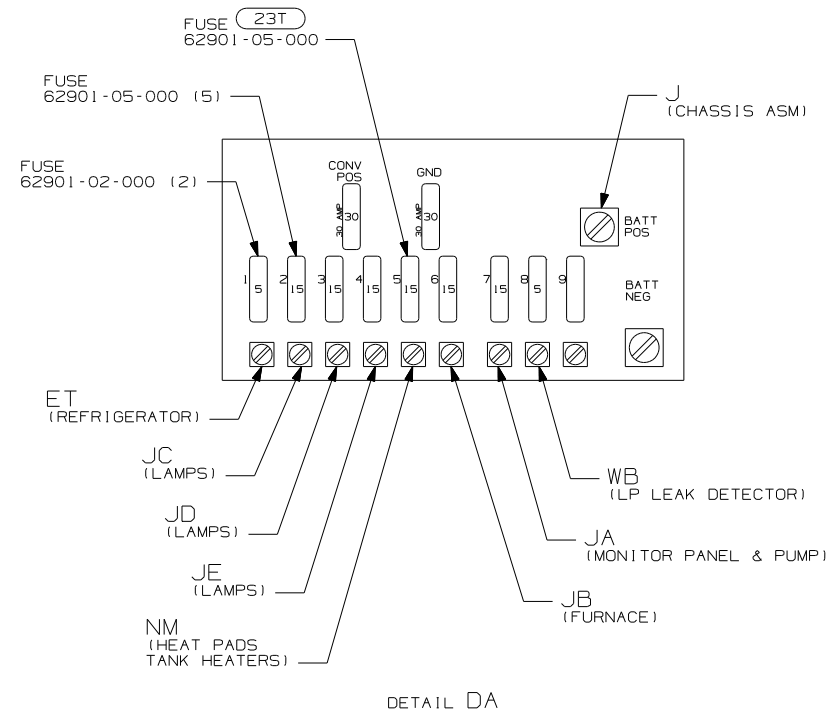
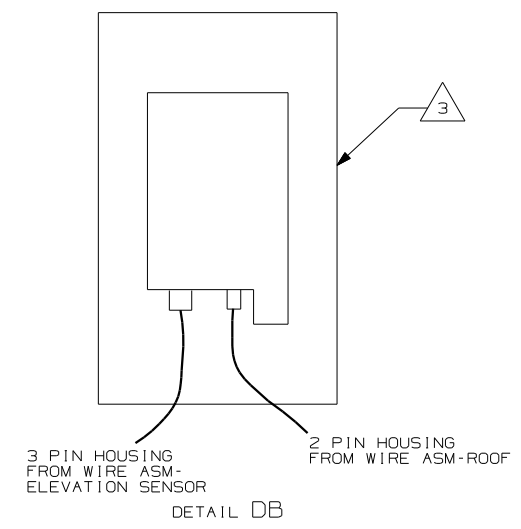
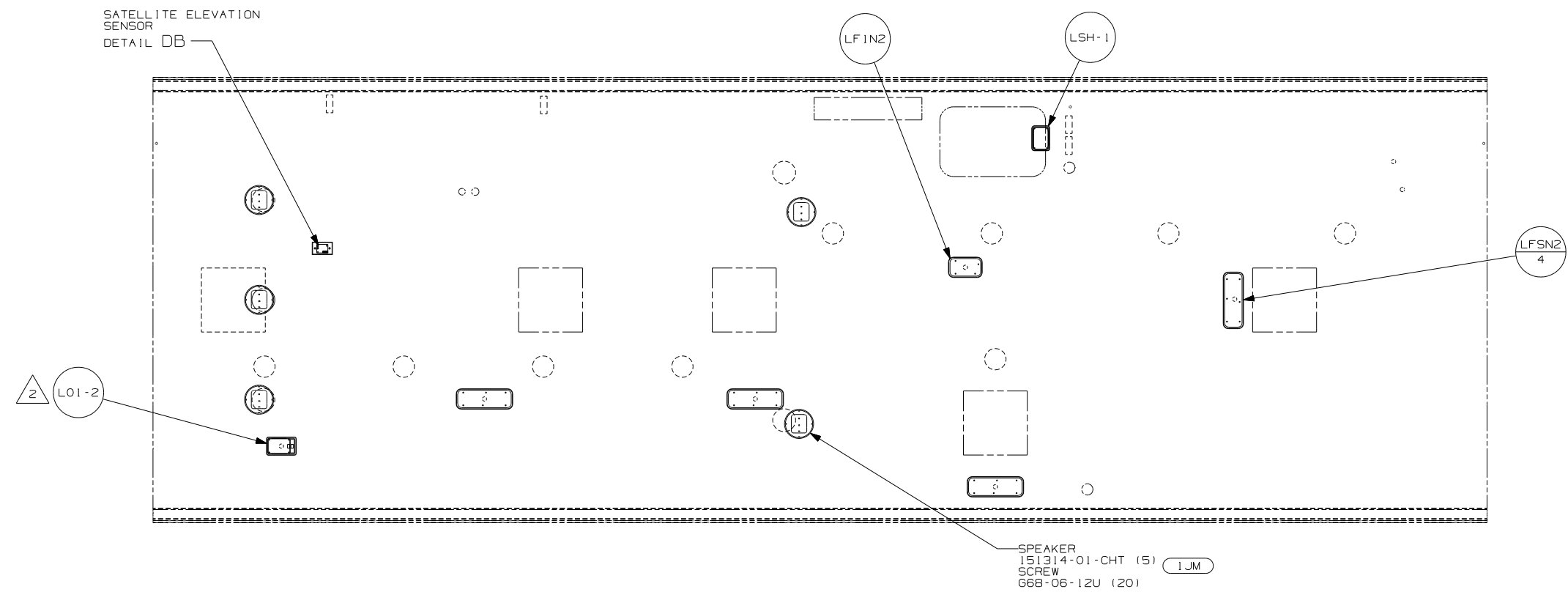
4 CONNECT COAX TO BACK SIDE OF WALLPLATE.



- 42J TV-24" COLOR, STEREO W/REMOTE
- 23T DRAINAGE SYSTEM-HEATED
- 1JR TV-13" W/DVD-12V
- 1E2 ENTRANCE STEP-ELEC.
- 1D5 ENTERTAINMENT CENTR/EXT W/CD

X-X FOR ELECTRICAL CALLOUTS SEE DWG NO. 121339-01-000

| | |
|----------------------|------------------------|
| FIRST USED | 05 329K |
| DO NOT SCALE DRAWING | |
| TITLE: | WIRING INSTL-BODY, 12V |
| SHEET 3 | PART NO 150262 |

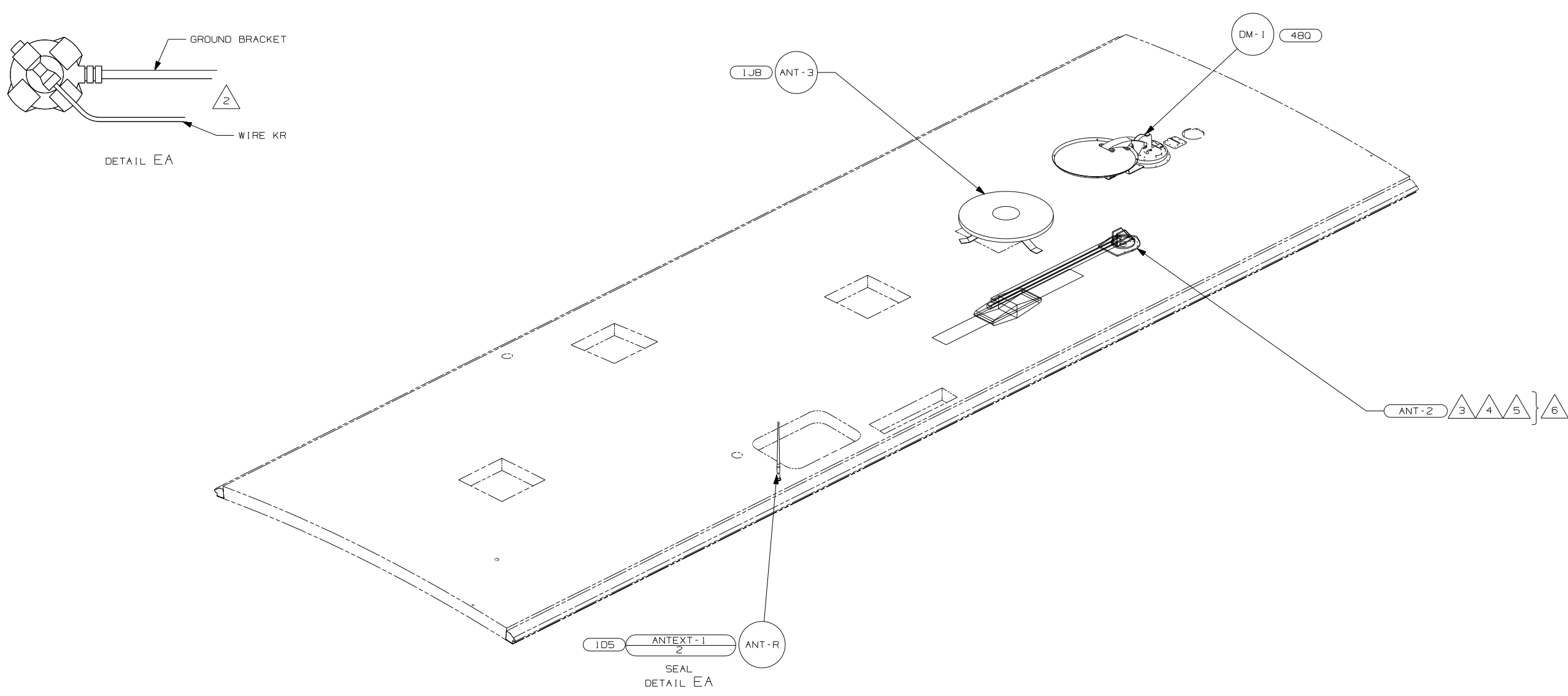


- (1JM) HOME THEATER SOUND SYSTEM
- (42J) TV-24" COLOR, STEREO W/REMOTE
- (23T) DRAINAGE SYSTEM-HEATED

3 SENSOR SUPPLIED WITH SATELLITE ASSEMBLY.
 2 NOT USED WITH (42J).
 1. SEE ROOF ASSEMBLY FOR ADDITIONAL INFORMATION.

FOR ELECTRICAL CALLOUTS SEE DWG NO. 121339-01-000

| | |
|----------------------|------------------------|
| FIRST USED | 05 329K |
| DO NOT SCALE DRAWING | |
| TITLE | WIRING INSTL-BODY, 12V |
| SHEET 4 | PART NO 150262 |



- △ 6 NOT USE WITH 1J8 .
- △ 5 ADD RUBBER BUMPER TO ROOF UNDER EACH END OF ANTENNA IN DOWN POSITION WHICH MAY COME INTO CONTACT WITH ROOF.
- △ 4 LOCATE CLAMP TO RETAIN CABLE BUT NOT TO RESTRICT ANTENNA TRAVEL.
- △ 3 SEE DRAWING 76319-01-000 FOR INSTALLATION OF TV ANTENNA.
- △ 2 WRAP BRACKET LEGS AROUND ANTENNA BASE.

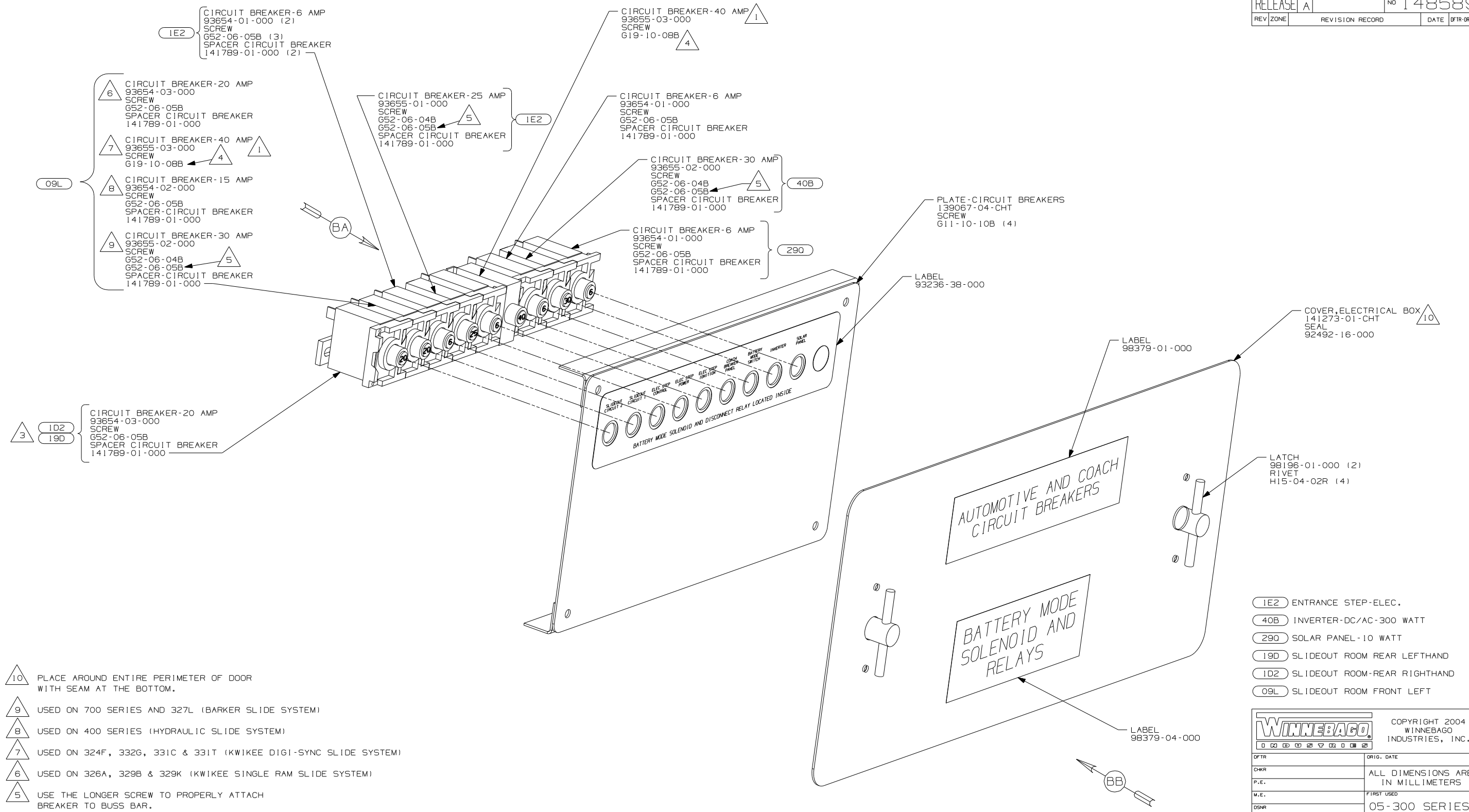
1. CONNECTOR-PLUG, TRAILER 113589-01-000 TO BE SUPPLIED LOOSE IN COACH WITH TRAILER TOW PACKAGE.

NOTES:

- 1D5 ENTERTAINMENT CENTR/EXT W/CD
- 1J8 TV ANTENNA-OMNIDIRECTIONAL
- 480 SATELLITE DISH

FOR ELECTRICAL CALLOUTS SEE DWG NO. 121339-01-000

| | |
|----------------------|------------------------|
| FIRST USED | 05 329K |
| DO NOT SCALE DRAWING | |
| TITLE: | WIRING INSTL-BODY, 12V |
| SHEET 5 | PART NO 150262 |

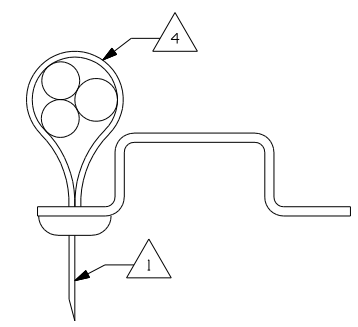
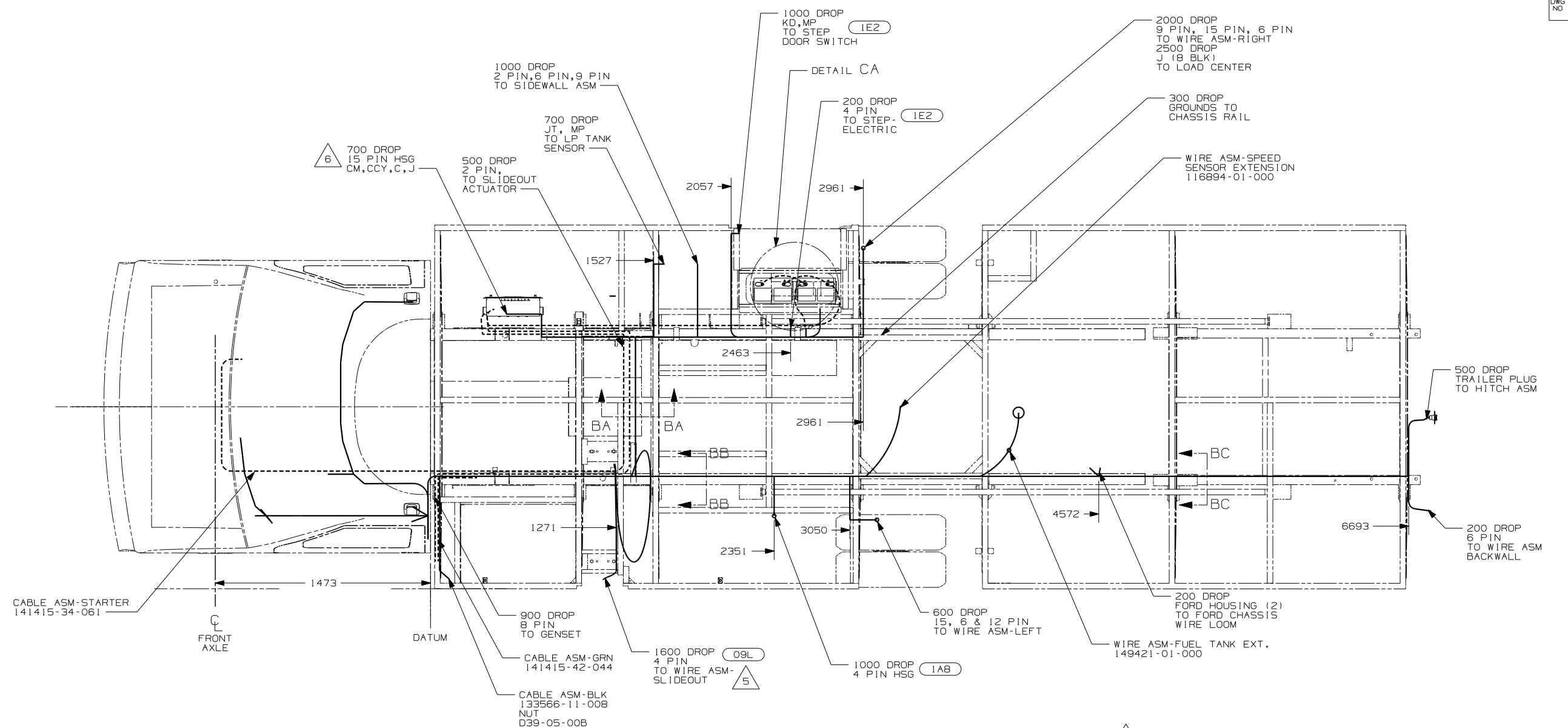


- 10 PLACE AROUND ENTIRE PERIMETER OF DOOR WITH SEAM AT THE BOTTOM.
 - 9 USED ON 700 SERIES AND 327L (BARKER SLIDE SYSTEM)
 - 8 USED ON 400 SERIES (HYDRAULIC SLIDE SYSTEM)
 - 7 USED ON 324F, 332G, 331C & 331T (KWIKEE DIGI-SYNC SLIDE SYSTEM)
 - 6 USED ON 326A, 329B & 329K (KWIKEE SINGLE RAM SLIDE SYSTEM)
 - 5 USE THE LONGER SCREW TO PROPERLY ATTACH BREAKER TO BUSS BAR.
 - 4 REPLACE EXISTING SCREW TO PROPERLY ATTACH BREAKER TO BUSS BAR.
 - 3 NOT USED ON 400 SERIES
2. SECURE CONDUIT 41953, TAB AS REQUIRED, OVER ALL WIRES IN CONTACT WITH SHARP EDGES.
- 1 SPACER NOT REQUIRED ON 40 AMP BREAKER.

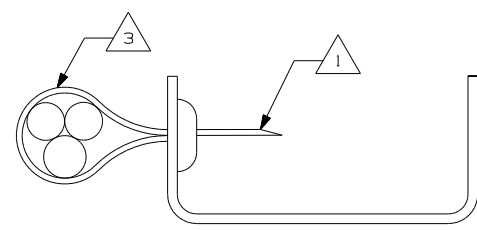
- 1E2 ENTRANCE STEP-ELEC.
- 40B INVERTER-DC/AC-300 WATT
- 290 SOLAR PANEL-10 WATT
- 19D SLIDEOUT ROOM REAR LEFTHAND
- 1D2 SLIDEOUT ROOM-REAR RIGHTHAND
- 09L SLIDEOUT ROOM FRONT LEFT

| | | | |
|--------------------------------------|--------------------------------------|---|--|
| WINNEBAGO | | COPYRIGHT 2004 WINNEBAGO INDUSTRIES, INC. | |
| DFTR | ORIG. DATE | | |
| CHKR | ALL DIMENSIONS ARE IN MILLIMETERS | | |
| P.E. | FIRST USED | | |
| M.E. | 05-300 SERIES | | |
| DSNR | | | |
| UNSPECIFIED TOLERANCES ARE: | | MATERIAL: | |
| WHOLE DIM (X) | : | | |
| ONE-PLACE (X.X) | : | | |
| TWO-PLACE (X.XX) | : | | |
| ANGLE | : | | |
| THIRD ANGLE PROJECTION | | | |
| DO NOT SCALE DRAWING | | | |
| TITLE: CHASSIS ELECTRICAL BOX ASM | | | |
| SHEET 1 OF 2 | PART NO | 148589 | |
| REF: | | 1 6/13/2005 | |

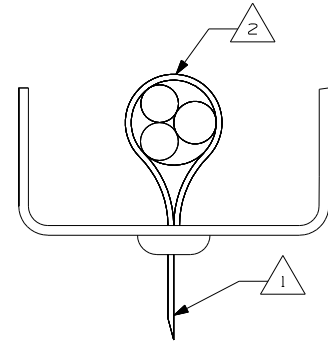
NOTES:



SECTION BA-BA



SECTION BB-BB



SECTION BC-BC

- NOTES:
- 6 SEE CHASSIS ELECTRICAL BOX ASM FOR ADDITIONAL INFORMATION.
 - 5 THIS DROP MOVES TO LOCATION 2350 FOR 1AB.
 - 4 WIRES TO BE TIED TO CROSS MEMBER USING EXISTING HOLES.
 - 3 WIRES TO BE TIED TO TOP OF RAIL USING EXISTING HOLES.
 - 2 WIRES TO BE TIED TO INSIDE OF RAIL USING EXISTING HOLES.
 - 1 CUT OFF EXCESS END OF WIRE TIE.

- 09L SLIDEOUT ROOM FRONT LEFT
- 1AB SLIDEOUT ROOM FRONT LEFT WO
- 16E FORD CHASSIS 14,050 LB.GVWR
- 1E2 ENTRANCE STEP-ELEC.
- 265 ENTRANCE STEP-ELECTRIC
- 1B1 CODES/STANDARDS USA

FOR ELECTRICAL TORQUE SPECIFICATIONS SEE DWG NO. 128783-01-000

FOR ELECTRICAL CALLOUTS SEE DWG NO. 121339-01-000

| | |
|------------|----------------------|
| FIRST USED | 05 329K |
| TITLE | DO NOT SCALE DRAWING |
| TITLE | WIRING INSTL-CHASSIS |
| SHEET 2 | PART NO 150263 |

- BATTERY 63739-01-000 (2)
- TIEDOWN 65451-05-000 (2)
- BOLT 51387-06-000 (4)
- NUT D39-05-00B (4)
- CLIP 44364-02-000 (4)
- BOOT 77479-01-000
- 77479-02-000

22W CABLE ASM-BLK 133566-11-003

22W CABLE ASM-RED 133566-01-003

- BATTERY 63739-01-000 (12X)
- TIEDOWN 65451-05-000
- BOLT 51387-06-000
- NUT D39-05-00B (2)
- CLIP 44364-02-000 (2)
- BOOT 77479-02-000

PLATE 144363-12-CHT
NUT 112722-01-CHT (2)

SWITCH-RADIO 108357-08-000
ACTUATOR 108356-02-CHT

SWITCH-AUX START 108357-09-000
ACTUATOR 108356-02-CHT

LABEL-SWITCH 145731-01-000

ENGINE
RADIO
POWER
HOUSE

ON

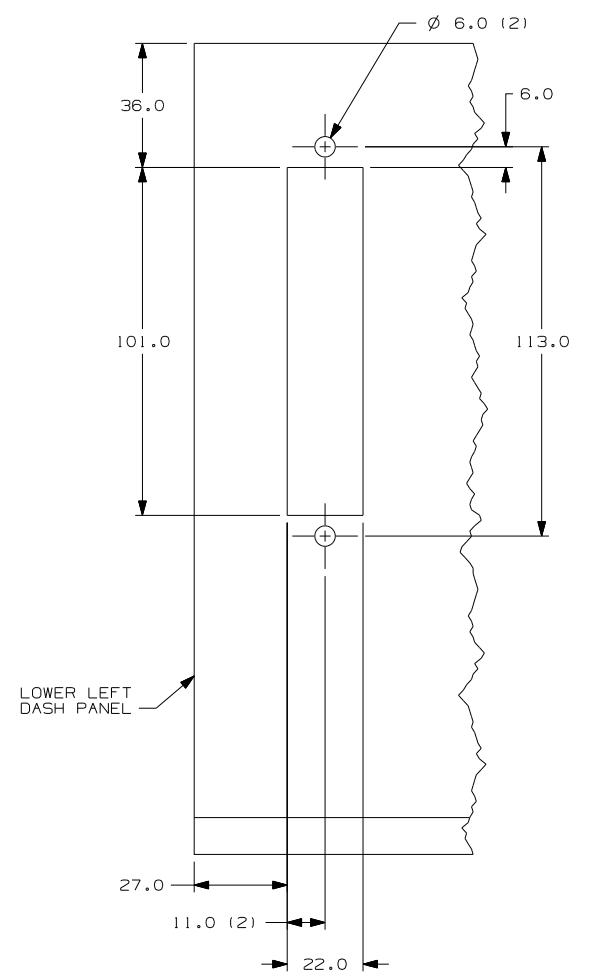
BATTERY
BOOST

CABLE ASM-YELLOW 141415-52-024 TO SOLENOID 1

CABLE ASM-BLK 133566-12-010 TO GROUND BAR

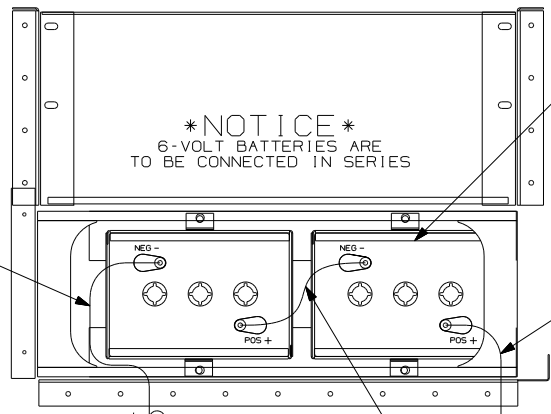
DETAIL CA 2

TO GROUND BAR
BOLT C26-05-00B (2)
NUT D39-05-00B (2)



VIEW CB 16E

CABLE ASM-BLK 133566-12-010 TO GROUND BAR



TO GROUND BAR
BOLT C26-05-00B (2)
NUT D39-05-00B (2)

TO SOLENOID
CABLE ASM-RED 133566-01-003

- BATTERY, 6-VOLT 146110-01-000 (2)
- TIE DOWN ASM-BATTERY 146624-01-CHT
- BOLT 51387-06-000 (4)
- NUT D39-05-00B (4)
- CLIP 44364-02-000 (4)
- BOOT 77479-02-000 (4)

CABLE ASM-YEL 141415-52-024 TO SOLENOID 1

DETAIL CA 644

- 644 GREAT ALASKAN RENTAL PACKAGE
- 22W BATTERY-SECOND
- 12X BATTERY-ONE
- 265 CODES/STANDARDS-CSA/CMVSS
- 16E FORD CHASSIS 14,050 GVWR
- 1B1 CODES/STANDARDS USA

1B1 265

| | |
|------------|----------------------|
| FIRST USED | 05 329K |
| TITLE | DO NOT SCALE DRAWING |
| | WIRING INSTL-CHASSIS |
| SHEET 3 | PART NO 150263 |

FOR ELECTRICAL TORQUE SPECIFICATIONS SEE DWG NO. 128783-01-000

X-X FOR ELECTRICAL CALLOUTS SEE DWG NO. 121339-01-000

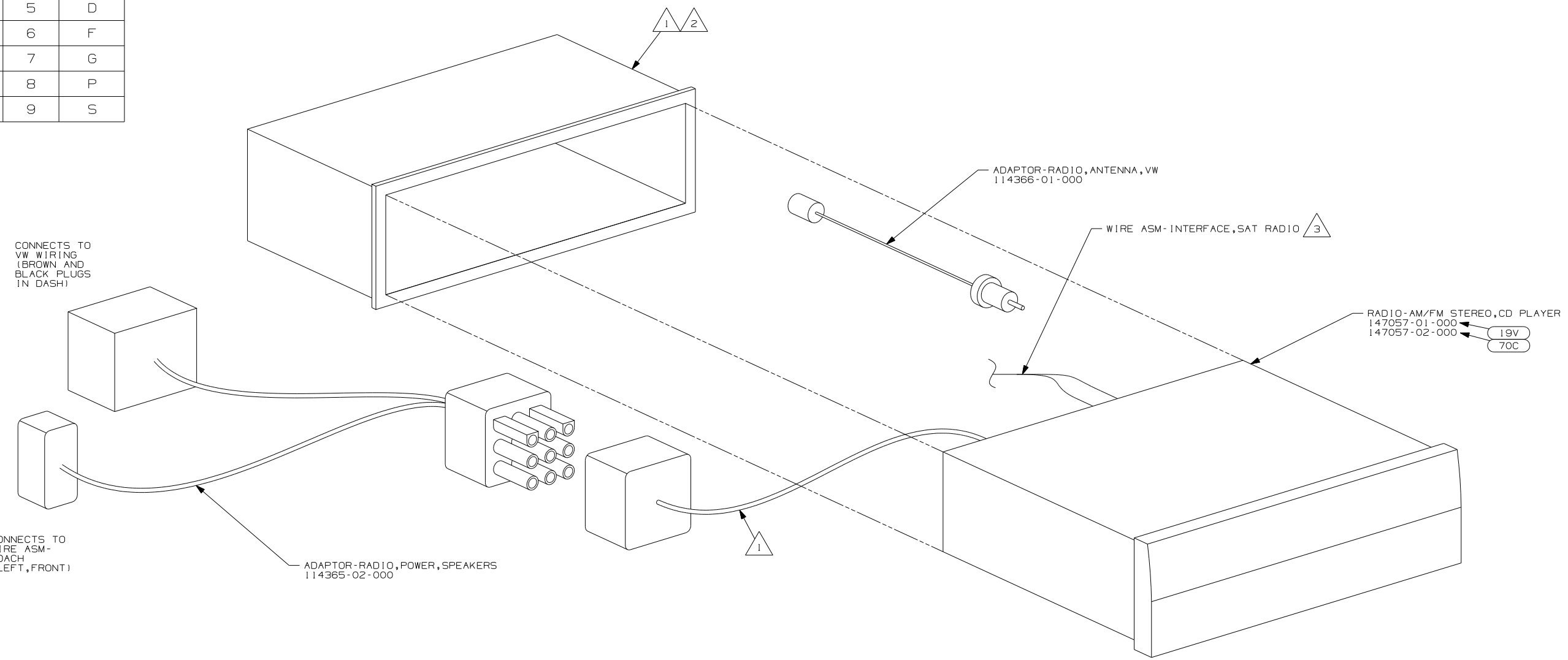
2 WITHOUT 644 .

1 LEAD IS MARKED WITH YELLOW TAPE.

NOTES:

| DWG NO | SHEET | SERIES |
|-----------|-------|--------|
| 148520-01 | 1 | 200 |
| 148520-02 | 2 | 300 |
| 148520-03 | 3 | 400 |
| 148520-04 | 4 | 700 |
| 148520-05 | 5 | D |
| 148520-06 | 6 | F |
| 148520-07 | 7 | G |
| 148520-08 | 8 | P |
| 148520-09 | 9 | S |

| | | |
|----------|-----------------|--------|
| RELEASE | REV DATE | DWG NO |
| A | | 148520 |
| REV ZONE | REVISION RECORD | DATE |
| | | |



CONNECTS TO VW WIRING (BROWN AND BLACK PLUGS IN DASH)

CONNECTS TO WIRE ASM-COACH (LEFT, FRONT)

ADAPTOR-RADIO, POWER, SPEAKERS 114365-02-000

ADAPTOR-RADIO, ANTENNA, VW 114366-01-000

WIRE ASM-INTERFACE, SAT RADIO 3

RADIO-AM/FM STEREO, CD PLAYER 147057-01-000 147057-02-000 19V 70C

- 70C RADIO - SATELLITE
- 19V RADIO-AM/FM STEREO CD PLAYER

- NOTES:
- 3 TO SATELLITE RECEIVER. SEE WIRING INSTL-FRONT END FOR ADDITIONAL INFORMATION.
 - 2 BEND TABS ON ALL 4 SIDES TO SECURE MOUNTING BRACKET TO DASH OPENING.
 - 1 SUPPLIED WITH RADIO

WINNEBAGO COPYRIGHT 2004 WINNEBAGO INDUSTRIES, INC.

| | |
|------|-----------------------------------|
| DFT | ORIG. DATE |
| CHKR | ALL DIMENSIONS ARE IN MILLIMETERS |
| P.E. | |
| M.E. | FIRST USED |
| DSNR | 05 MOTORHOMES |

UNSPECIFIED TOLERANCES ARE: MATERIAL:

| | |
|------------------|---|
| HOLE DIM (X) | : |
| ONE-PLACE (X.X) | : |
| TWO-PLACE (X.XX) | : |
| ANGLE | : |

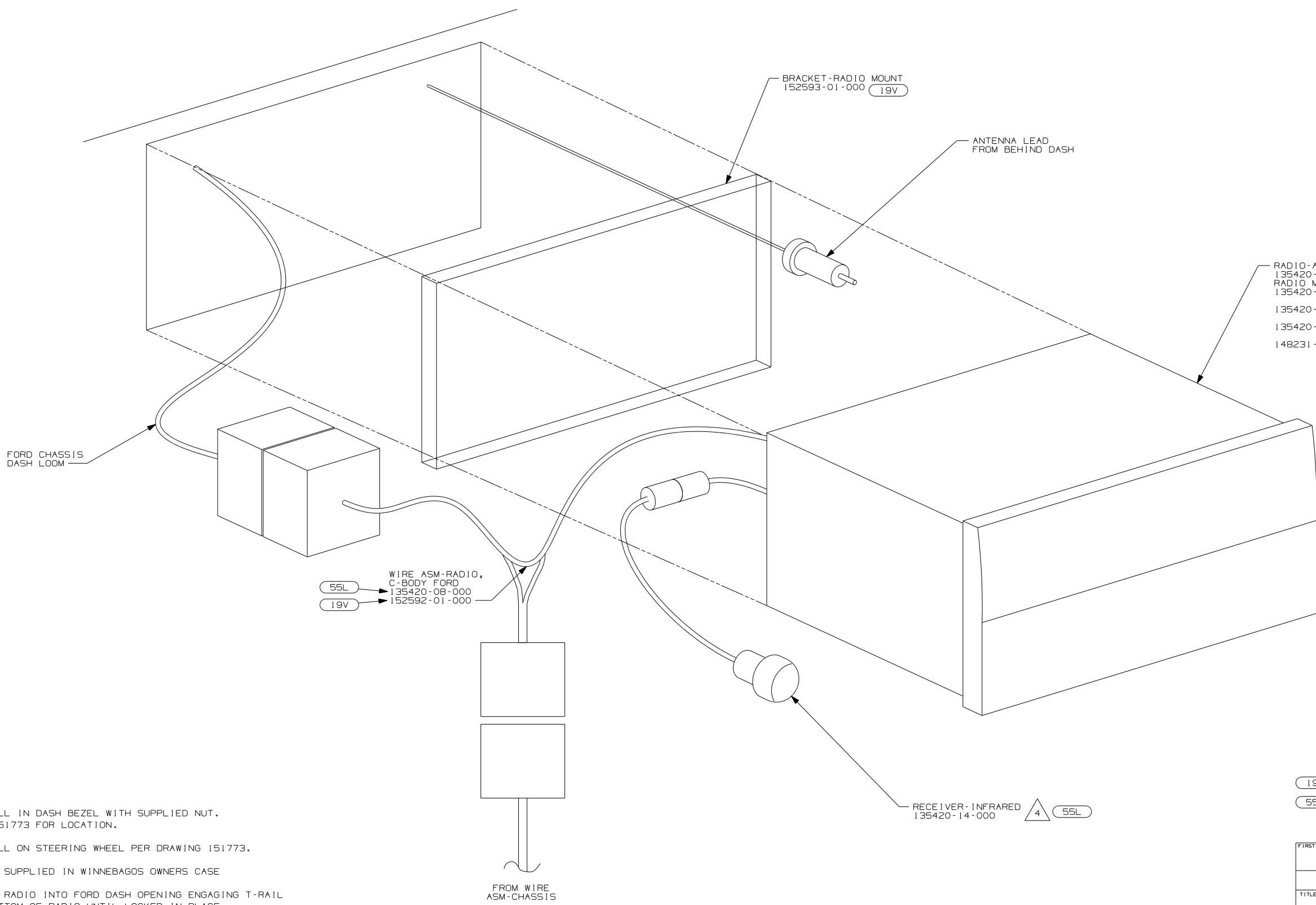
THIRD ANGLE PROJECTION

DO NOT SCALE DRAWING

TITLE: RADIO INSTL

SHEET 1 of 9 PART NO 148520

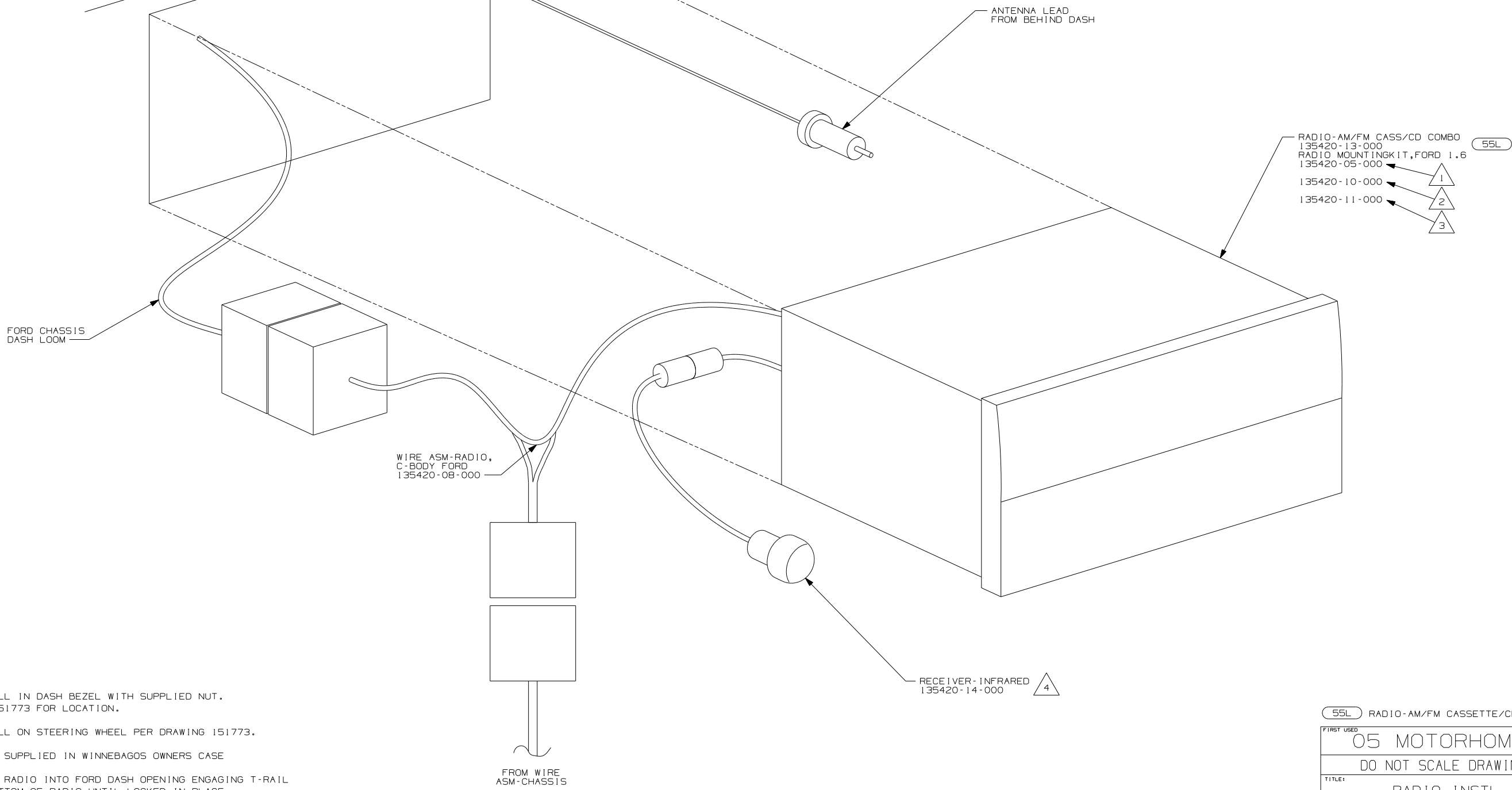
REF: 1 6/17/2005



- NOTES:
- 4 INSTALL IN DASH BEZEL WITH SUPPLIED NUT. SEE 151773 FOR LOCATION.
 - 3 INSTALL ON STEERING WHEEL PER DRAWING 151773.
 - 2 TO BE SUPPLIED IN WINNEBAGOS OWNERS CASE
 - 1 SLIDE RADIO INTO FORD DASH OPENING ENGAGING T-RAIL ON BOTTOM OF RADIO UNTIL LOCKED IN PLACE.

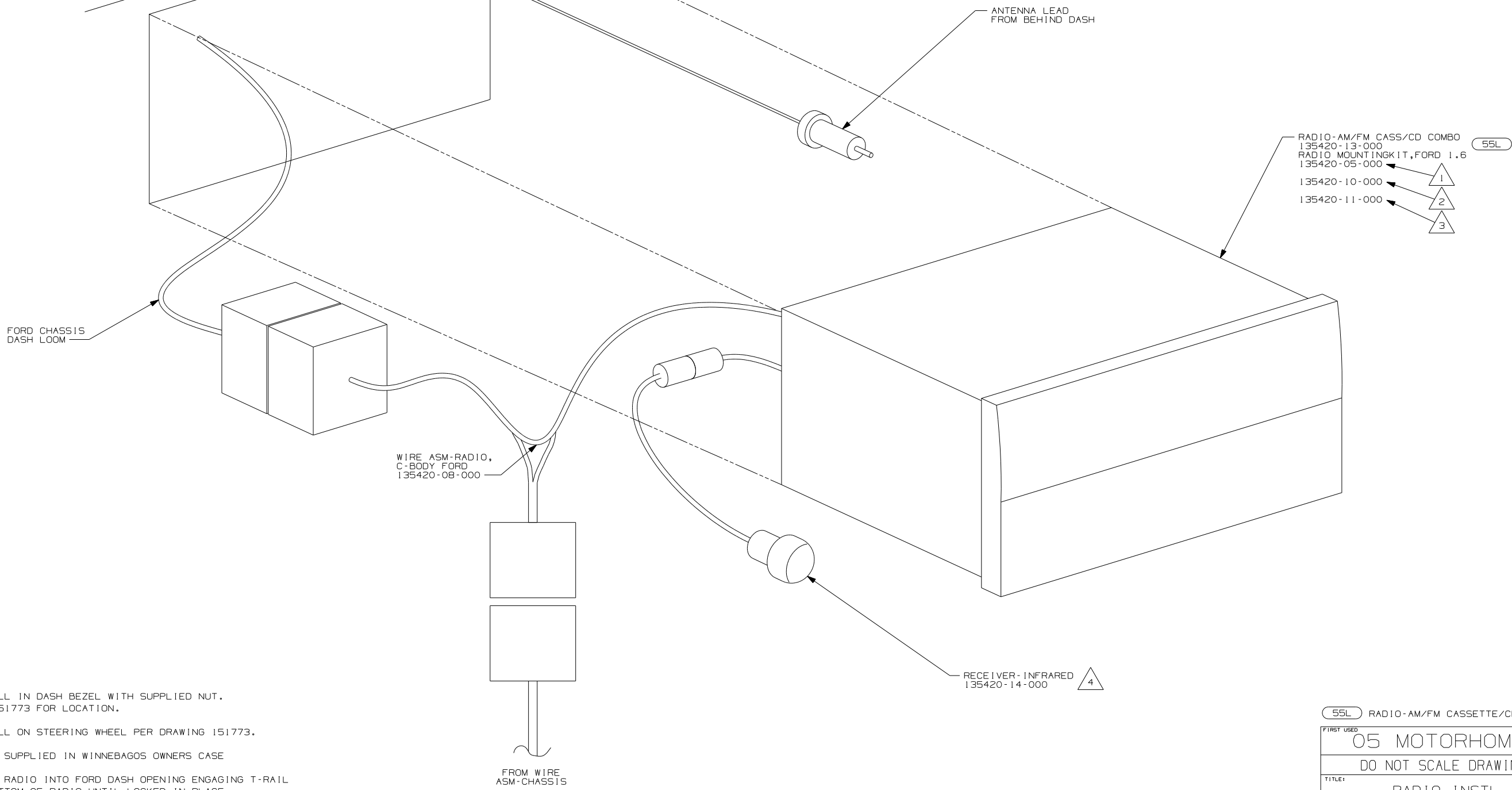
(19V) RADIO-AM/FM STEREO CD PLAYER
 (55L) RADIO-AM/FM CASSETTE/CD

| | |
|----------------------|----------------|
| FIRST USED | |
| 05 MOTORHOMES | |
| DO NOT SCALE DRAWING | |
| TITLE: RADIO INSTL | |
| SHEET 2 | PART NO 148520 |



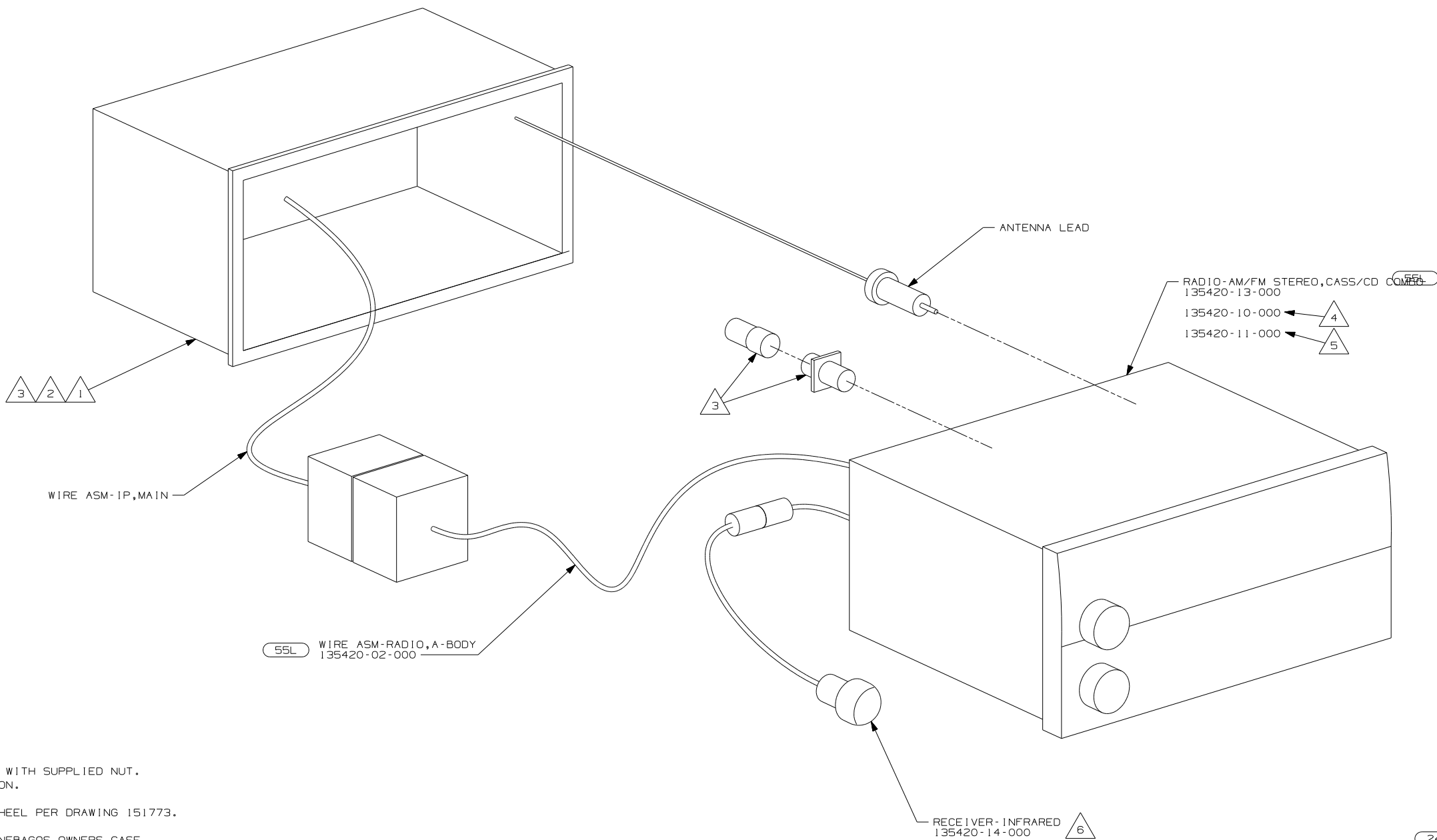
- NOTES:
- 4 INSTALL IN DASH BEZEL WITH SUPPLIED NUT. SEE 151773 FOR LOCATION.
 - 3 INSTALL ON STEERING WHEEL PER DRAWING 151773.
 - 2 TO BE SUPPLIED IN WINNEBAGOS OWNERS CASE
 - 1 SLIDE RADIO INTO FORD DASH OPENING ENGAGING T-RAIL ON BOTTOM OF RADIO UNTIL LOCKED IN PLACE.

| | |
|-----------------------------|----------------|
| 55L RADIO-AM/FM CASSETTE/CD | |
| FIRST USED | |
| 05 MOTORHOMES | |
| DO NOT SCALE DRAWING | |
| TITLE: | |
| RADIO INSTL | |
| SHEET 3 | PART NO 148520 |



- NOTES:
- 4 INSTALL IN DASH BEZEL WITH SUPPLIED NUT. SEE 151773 FOR LOCATION.
 - 3 INSTALL ON STEERING WHEEL PER DRAWING 151773.
 - 2 TO BE SUPPLIED IN WINNEBAGOS OWNERS CASE
 - 1 SLIDE RADIO INTO FORD DASH OPENING ENGAGING T-RAIL ON BOTTOM OF RADIO UNTIL LOCKED IN PLACE.

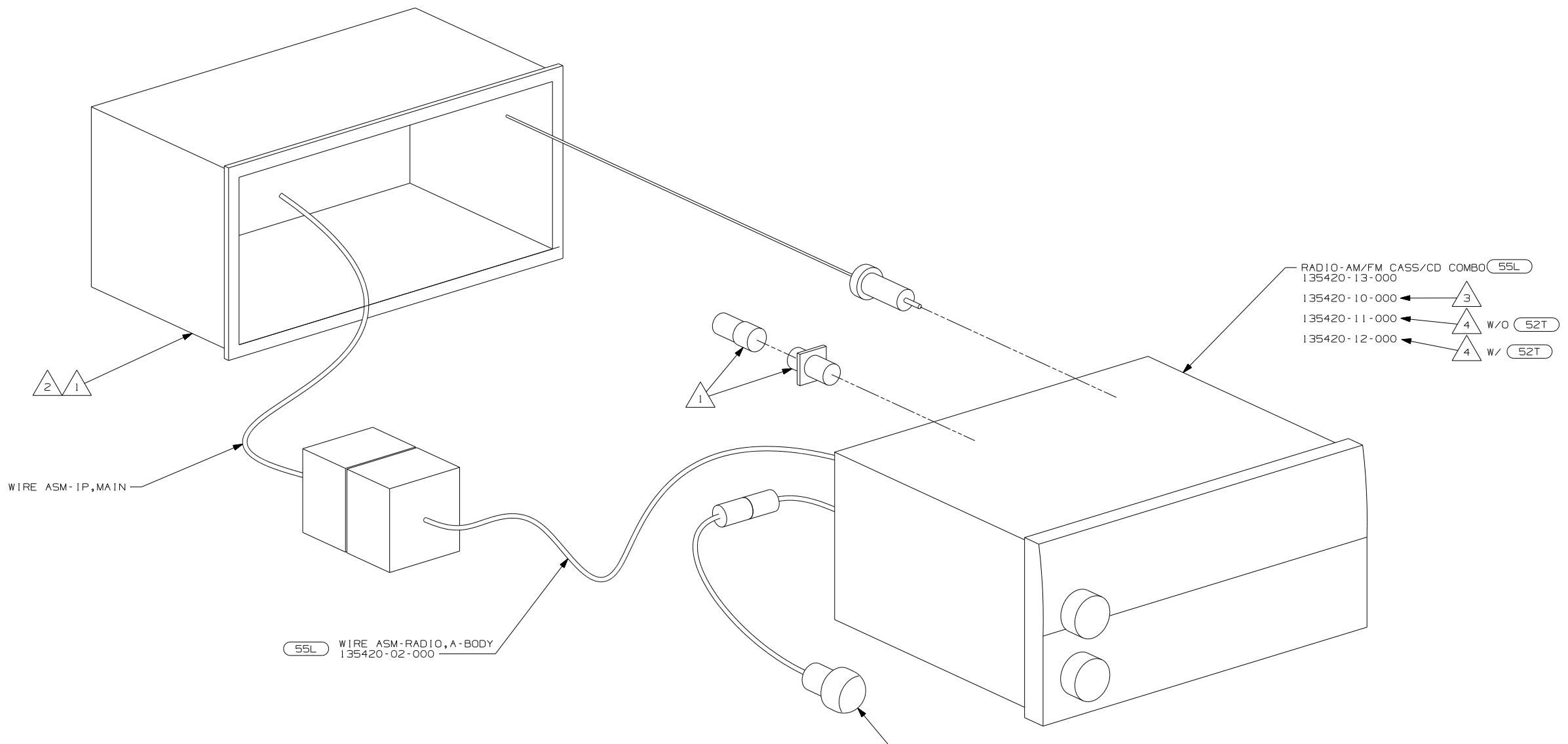
| | |
|-----------------------------|----------------|
| 55L RADIO-AM/FM CASSETTE/CD | |
| FIRST USED | |
| 05 MOTORHOMES | |
| DO NOT SCALE DRAWING | |
| TITLE: | |
| RADIO INSTL | |
| SHEET 4 | PART NO 148520 |



- △ 6 INSTALL IN DASH BEZEL WITH SUPPLIED NUT. SEE 151773 FOR LOCATION.
- △ 5 INSTALL ON STEERING WHEEL PER DRAWING 151773.
- △ 4 TO BE SUPPLIED IN WINNEBAGOS OWNERS CASE
- △ 3 SUPPLIED WITH MOUNTING KIT 135420-07-000 (55L) ONLY.
- △ 2 BEND TABS ON ALL 4 SIDES TO SECURE MOUNTING BRACKET TO DASH OPENING.
- △ 1 SUPPLIED WITH RADIO (24N) ONLY.

NOTES:

| | |
|----------------------|-------------------------|
| (24N) | RADIO-AM/FM/CASSETTE |
| (55L) | RADIO-AM/FM CASSETTE/CD |
| FIRST USED | |
| 05 MOTORHOMES | |
| DO NOT SCALE DRAWING | |
| TITLE: | |
| RADIO INSTL | |
| SHEET 5 | PART NO 148520 |



WIRE ASM-IP,MAIN

55L WIRE ASM-RADIO,A-BODY
135420-02-000

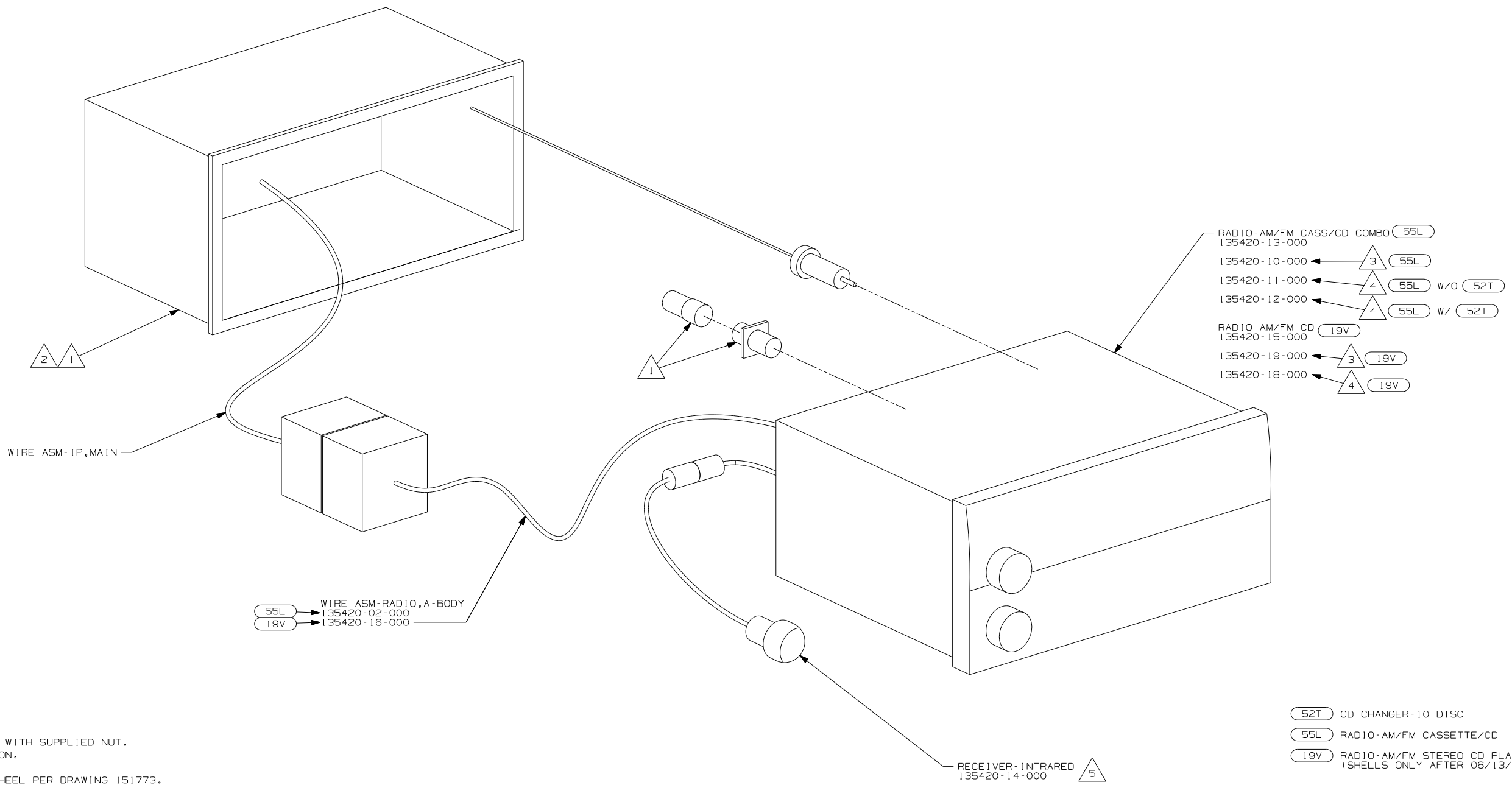
RADIO-AM/FM CASS/CD COMBO (55L)
135420-13-000
135420-10-000 ← 3
135420-11-000 ← 4 W/O 52T
135420-12-000 ← 4 W/ 52T

RECEIVER-INFRARED (5)
135420-14-000

(52T) CD CHANGER-10 DISC
(55L) RADIO-AM/FM CASSETTE/CD

- NOTES:
- 5 INSTALL IN DASH BEZEL WITH SUPPLIED NUT. SEE 151773 FOR LOCATION.
 - 4 INSTALL ON STEERING WHEEL PER DRAWING 151773.
 - 3 TO BE SUPPLIED IN WINNEBAGOS OWNERS CASE
 - 2 BEND TABS ON ALL 4 SIDES TO SECURE MOUNTING BRACKET TO DASH OPENING.
 - 1 SUPPLIED WITH MOUNTING KIT 135420-07-000.

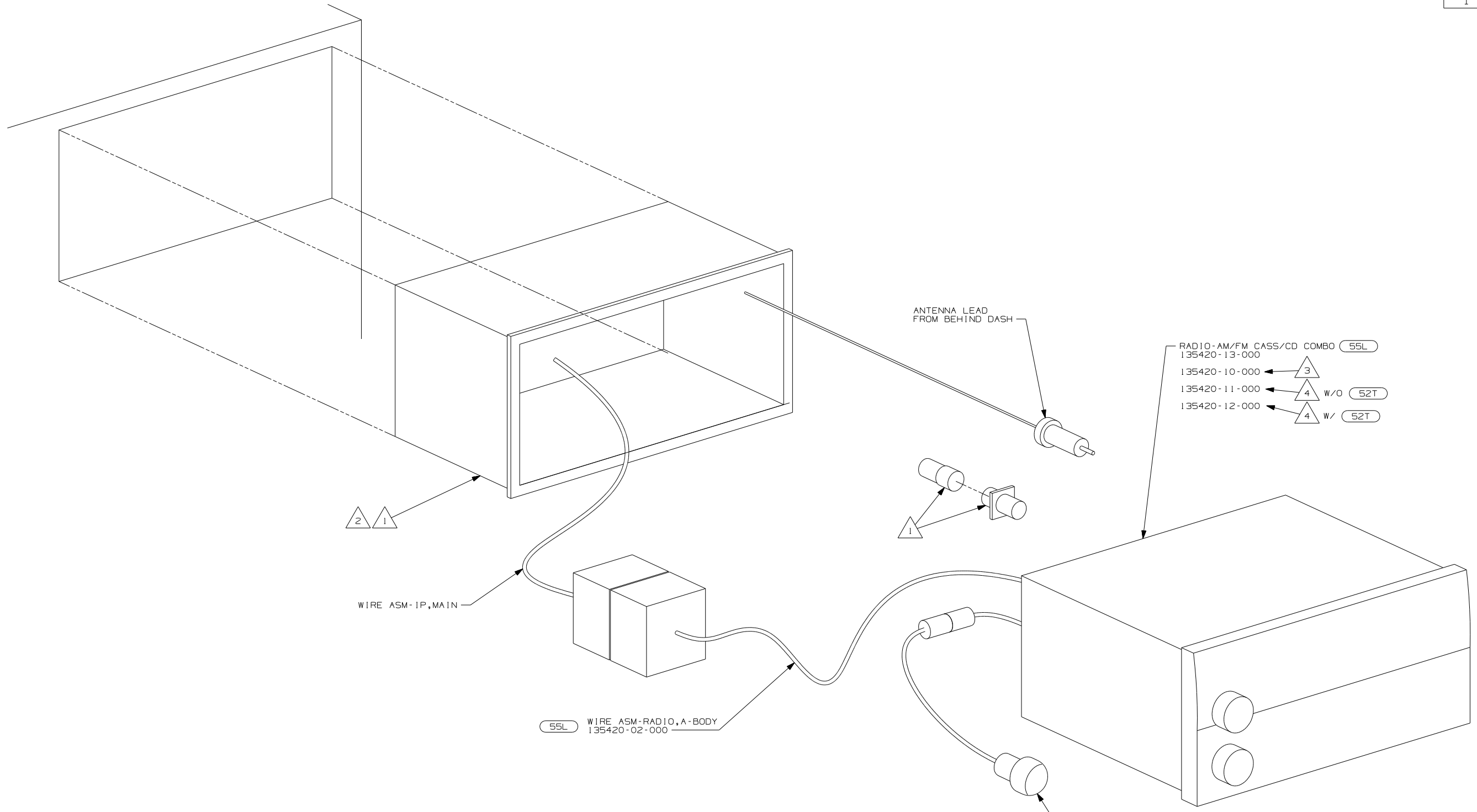
| | |
|----------------------|----------------|
| FIRST USED | |
| 05 MOTORHOMES | |
| DO NOT SCALE DRAWING | |
| TITLE: RADIO INSTL | |
| SHEET 6 | PART NO 148520 |



- NOTES:
- 5 INSTALL IN DASH BEZEL WITH SUPPLIED NUT. SEE 151773 FOR LOCATION.
 - 4 INSTALL ON STEERING WHEEL PER DRAWING 151773.
 - 3 TO BE SUPPLIED IN WINNEBAGOS OWNERS CASE
 - 2 BEND TABS ON ALL 4 SIDES TO SECURE MOUNTING BRACKET TO DASH OPENING.
 - 1 SUPPLIED WITH MOUNTING KIT 135420-07-000.

- 52T CD CHANGER-10 DISC
- 55L RADIO-AM/FM CASSETTE/CD
- 19V RADIO-AM/FM STEREO CD PLAYER (SHELLS ONLY AFTER 06/13/05)

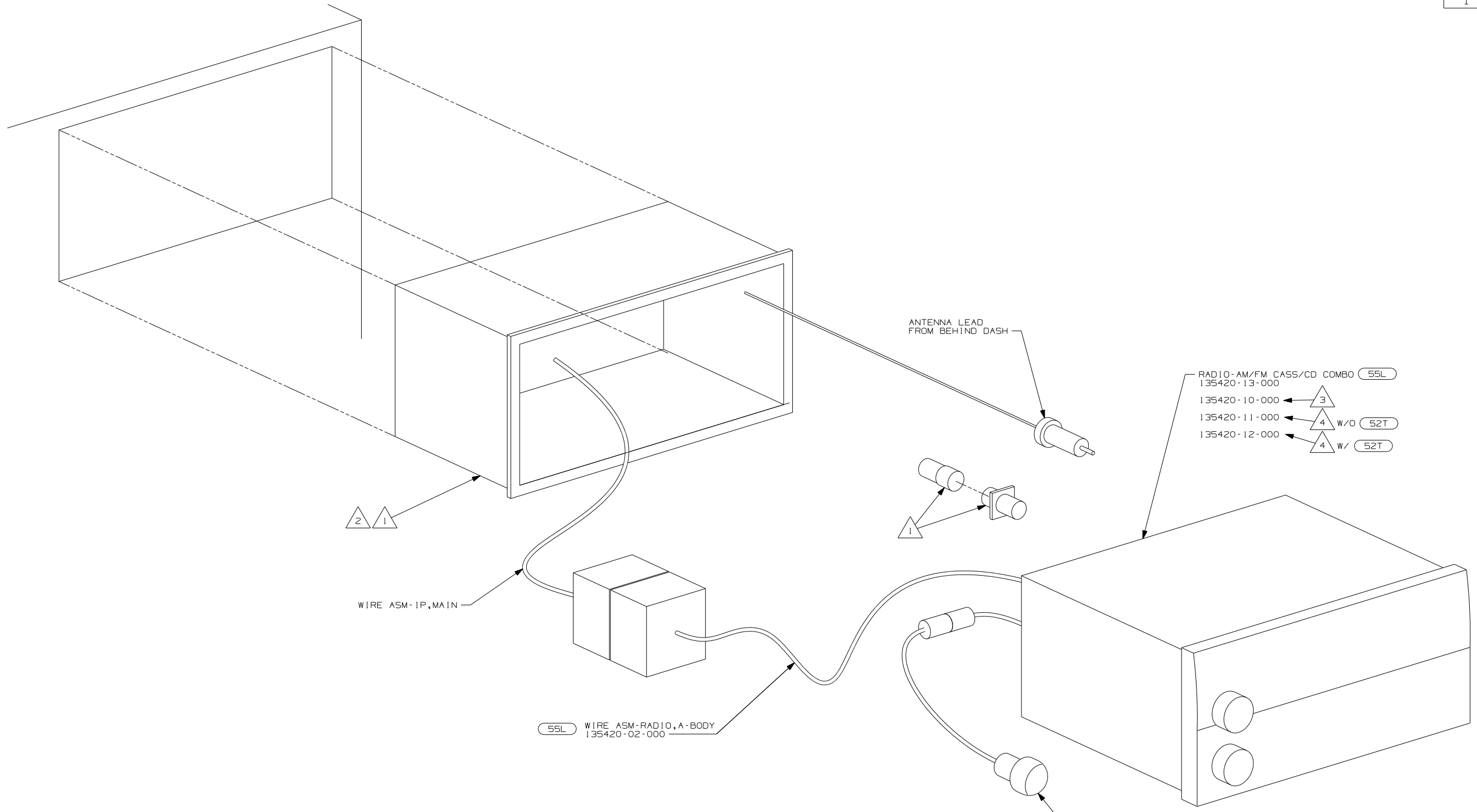
| | |
|----------------------|----------------|
| FIRST USED | |
| 05 MOTORHOMES | |
| DO NOT SCALE DRAWING | |
| TITLE: | |
| RADIO INSTL | |
| SHEET 7 | PART NO 148520 |



- NOTES:
- 5 INSTALL IN DASH BEZEL WITH SUPPLIED NUT. SEE 151773 FOR LOCATION.
 - 4 INSTALL ON STEERING WHEEL PER DRAWING 151773.
 - 3 TO BE SUPPLIED IN WINNEBAGOS OWNERS CASE
 - 2 BEND TABS ON ALL 4 SIDES TO SECURE MOUNTING BRACKET TO DASH OPENING.
 - 1 SUPPLIED WITH MOUNTING KIT 135420-07-000.

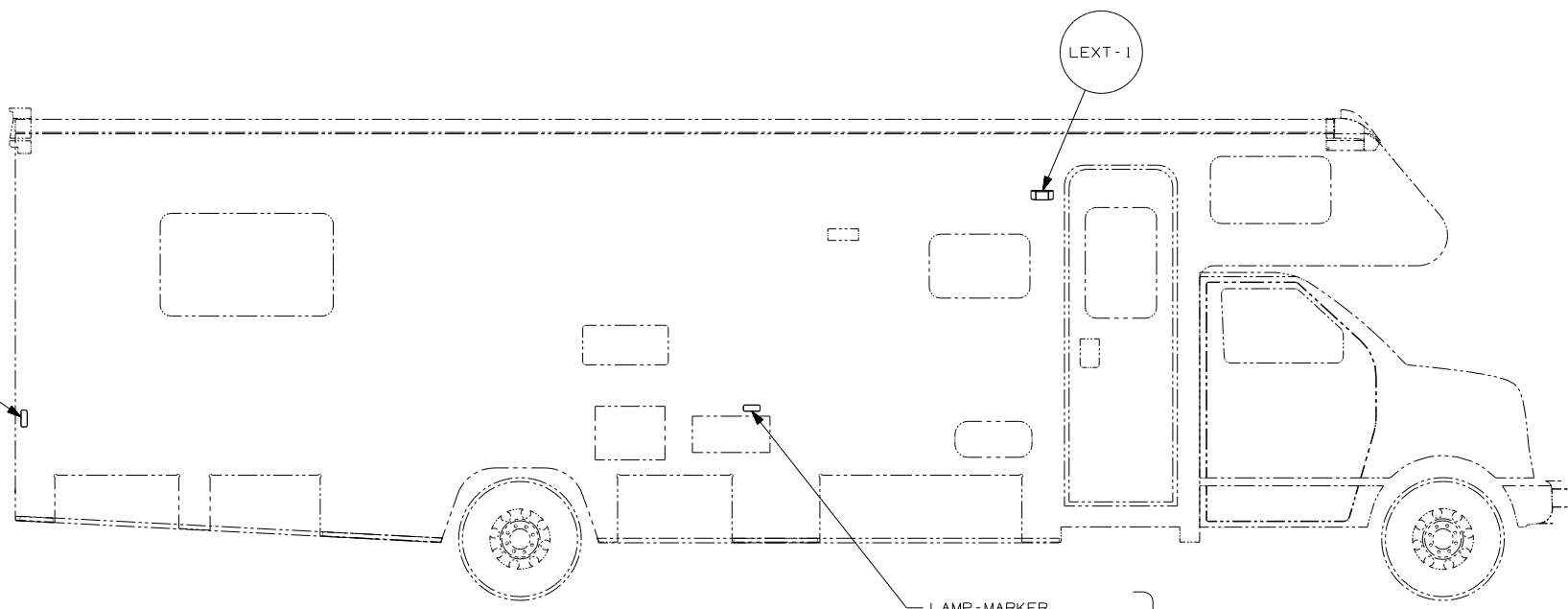
- 52T CD CHANGER-10 DISC
- 55L RADIO-AM/FM CASSETTE/CD

| | |
|----------------------|----------------|
| FIRST USED | |
| 05 MOTORHOMES | |
| DO NOT SCALE DRAWING | |
| TITLE: RADIO INSTL | |
| SHEET 8 | PART NO 148520 |



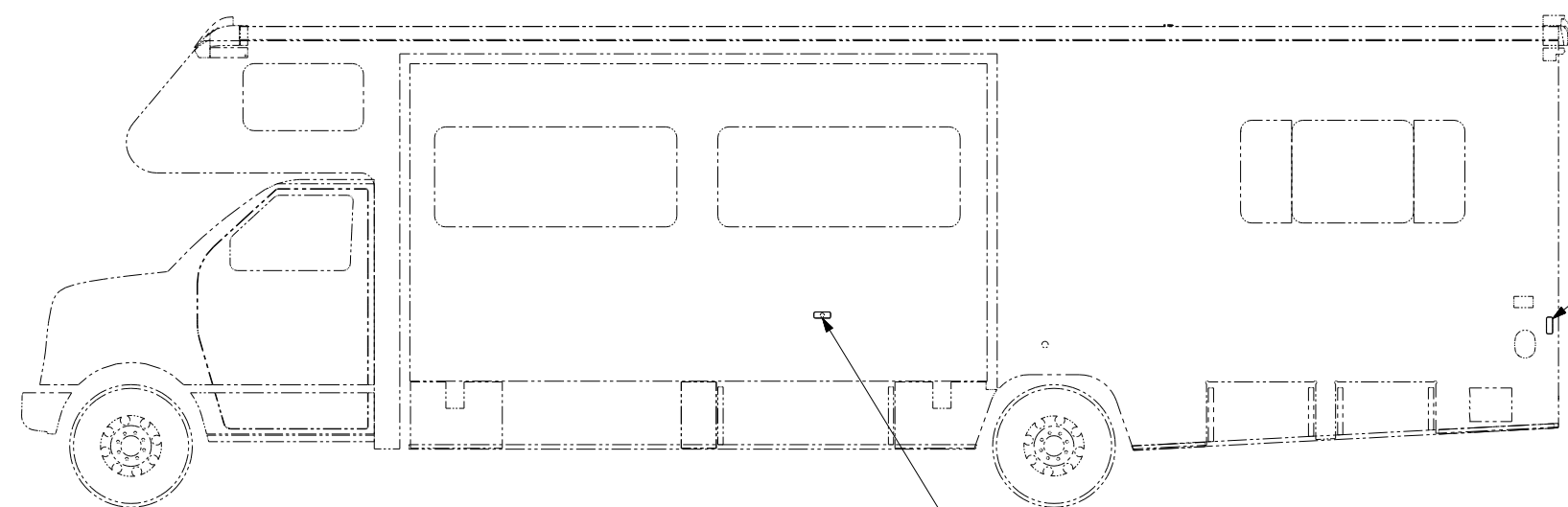
- NOTES:
- 5 INSTALL IN DASH BEZEL WITH SUPPLIED NUT. SEE 151773 FOR LOCATION.
 - 4 INSTALL ON STEERING WHEEL PER DRAWING 151773.
 - 3 TO BE SUPPLIED IN WINNEBAGOS OWNERS CASE
 - 2 BEND TABS ON ALL 4 SIDES TO SECURE MOUNTING BRACKET TO DASH OPENING.
 - 1 SUPPLIED WITH MOUNTING KIT 135420-07-000.

| | |
|----------------------|-------------------------|
| 52T | CD CHANGER-10 DISC |
| 55L | RADIO-AM/FM CASSETTE/CD |
| FIRST USED | |
| 05 MOTORHOMES | |
| DO NOT SCALE DRAWING | |
| TITLE: | |
| RADIO INSTL | |
| SHEET 9 | PART NO 148520 |



LAMP-MARKER
BASE, SIDEWALL
111102-01-000
LENS-MARKER, RED
111102-03-000
SCREW
G11-08-12T (EXT) (2)
CONNECTOR
58028-01-000 (2)

LAMP-MARKER
BASE, SIDEWALL
111102-01-000
LENS-MARKER, AMBER
111102-02-000
SCREW
G11-08-12T (EXT) (2)
CONNECTOR
58028-01-000 (2)



LAMP-MARKER
BASE, SIDEWALL
111102-01-000
LENS-MARKER, RED
111103-03-000
SCREW
G11-08-12T (EXT) (2)
CONNECTOR
58028-01-000 (2)

LAMP-MARKER
BASE, SIDEWALL
111102-01-000
LENS-MARKER, AMBER
111102-02-000
SCREW
G11-08-12T (EXT) (2)
CONNECTOR
58028-01-000 (2)

265 CODES/STANDARDS-CSA/CMVSS
1B1 CODES/STANDARDS USA
1B1 265



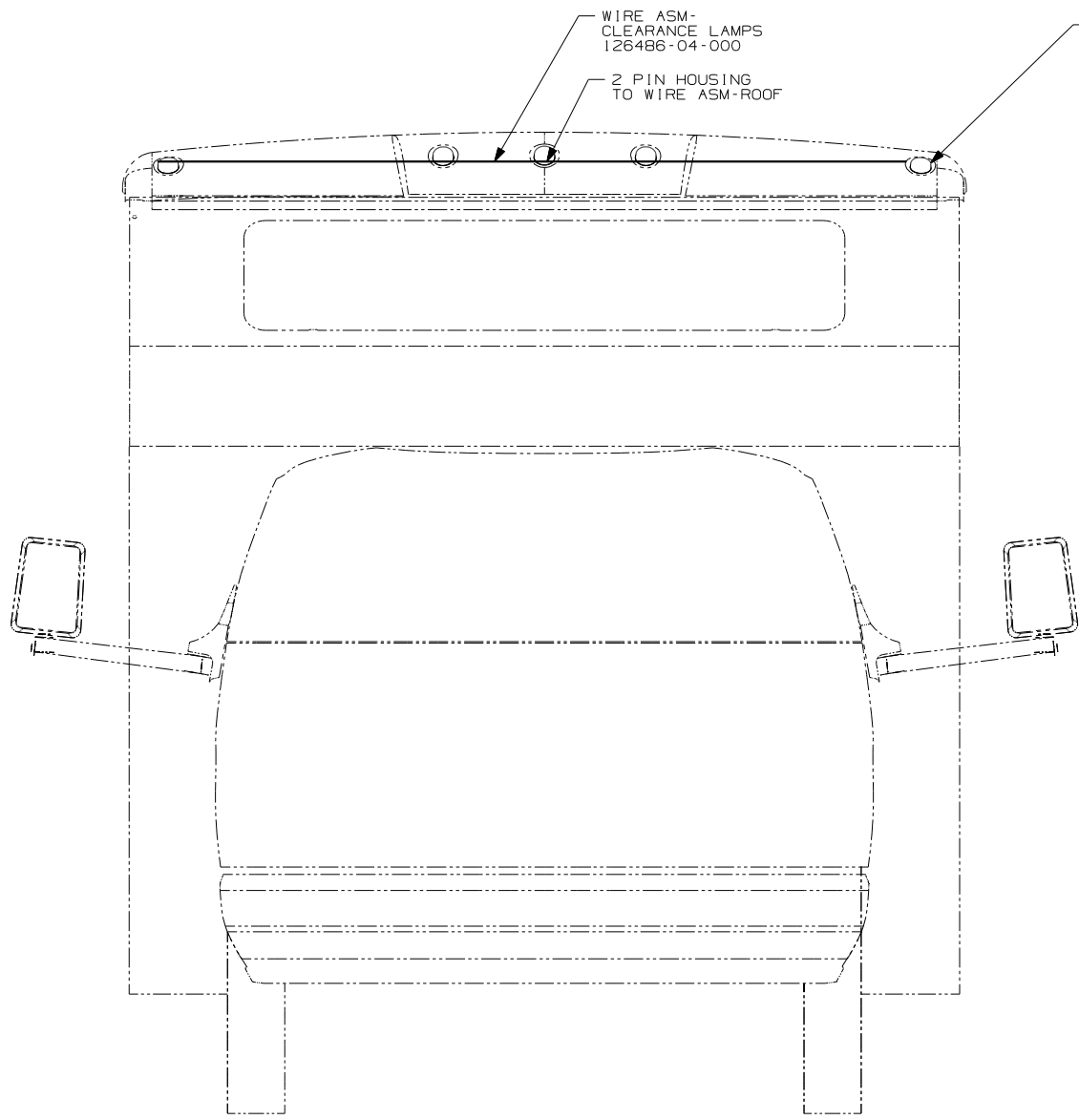
| | |
|-----------------------------|-----------------------------------|
| DFTR | ORIG. DATE |
| CHKR | ALL DIMENSIONS ARE IN MILLIMETERS |
| P.E. | |
| M.E. | FIRST USED |
| DSNR | 05 300 SERIES |
| UNSPECIFIED TOLERANCES ARE: | MATERIAL: |
| HOLE DIM (X) : | |
| ONE-PLACE (X.X) : | |
| TWO-PLACE (X.XX) : | |
| ANGLE : | |
| THIRD ANGLE PROJECTION | |

FOR ELECTRICAL TORQUE SPECIFICATIONS SEE DWG NO. 128783-01-000

FOR ELECTRICAL CALLOUTS SEE DWG NO. 121339-01-000

DO NOT SCALE DRAWING
TITLE: WIRING INSTL-EXTERIOR LAMPS
SHEET 1 OF 2 PART NO 148499

NOTES:
 2 USED ONLY WITH 331C, 331T, 331SC, 331ST & 332G.
 1 ON 329B, COVER WIRES WITH TAPE 8363-01-000 AFTER CONNECTIONS ARE MADE.

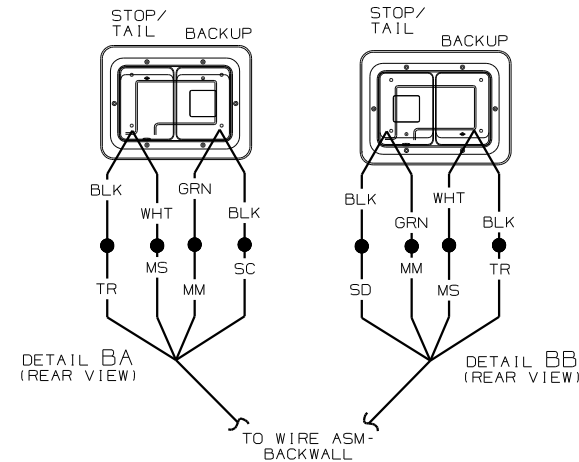
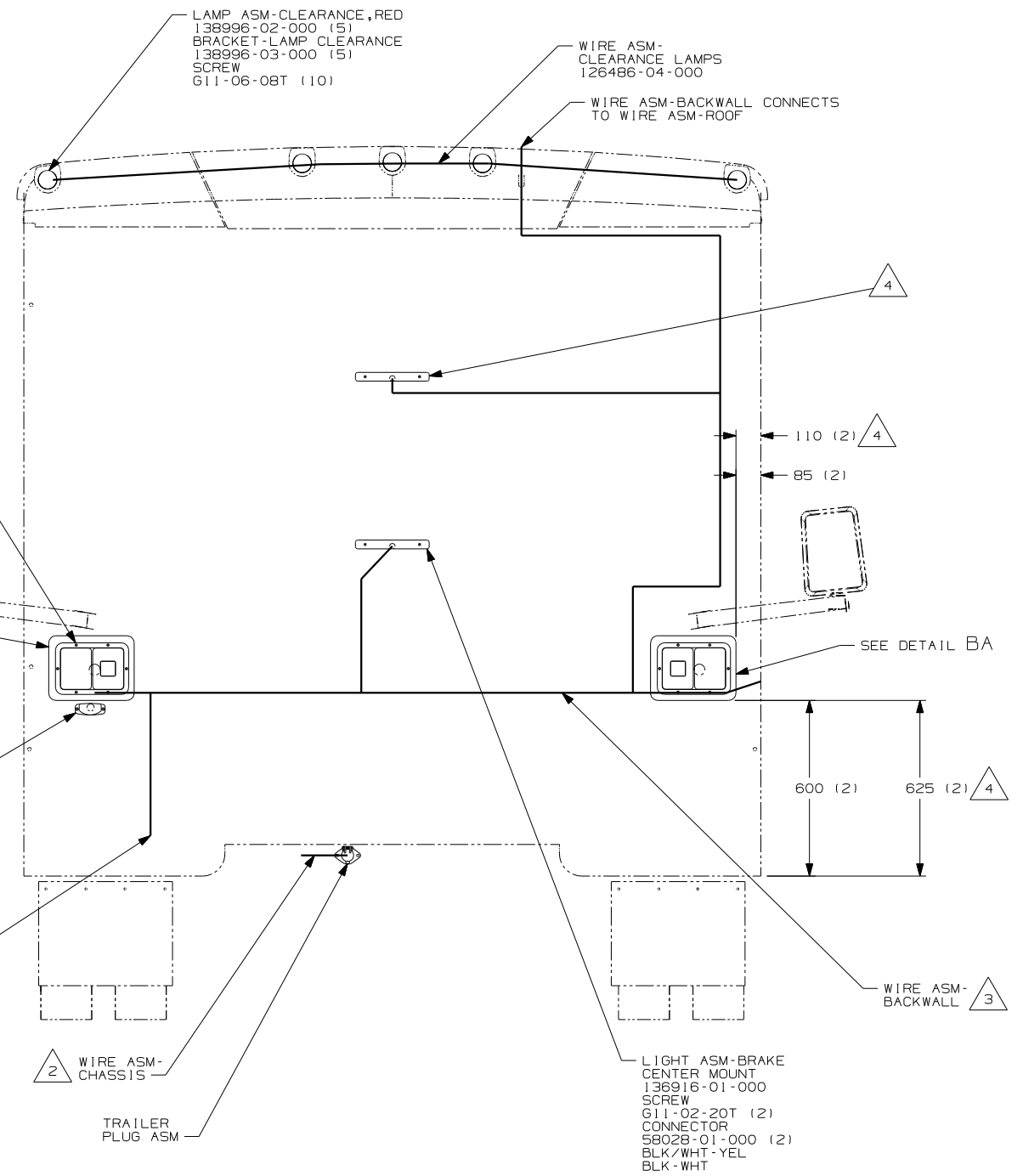


LAMP ASM-CLEARANCE, AMBER
138996-01-000 (5)
BRACKET-LAMP CLEARANCE
138996-03-000 (5)
SCREW
G11-06-08T (EXT) (10)

TAILLAMP ASM-
81638-01-000 (2)
SCREW
G11-08-12T (16)
POD TAILLAMP
103355-02-CHT
SCREW
G67-10-129 (8)
CONNECTOR
58028-01-000
(8)
SEALER-TAPE
6964-21-000 (3,4)

BRACKET-LICENSE
66432-03-000
SCREW
G67-10-129 (2)
LIGHT-LICENSE
66432-02-000
SCREW
G39-08-12T (EXT) (2)
CONNECTOR
58028-01-000 (2)

6 PIN HOUSING
TO WIRE ASM-
TAILLAMP EXTENSION



- 4 LIGHT ASM IS MOUNTED IN THIS LOCATION ON THE 326A.
- 3 LOCATED IN BACKWALL ASSEMBLY
- 2 SECURE WIRE BELOW COACH WITH CLAMP 10495-01-000 AND SCREW G67-10-12B.

1. CONNECTOR-PLUG, TRAILER 113589-01-000 TO BE SUPPLIED LOOSE IN COACH WITH TRAILER TOW PACKAGE.

NOTES:

265 CODES/STANDARDS-CSA/CMVSS

1B1 CODES/STANDARDS USA

1B1 265

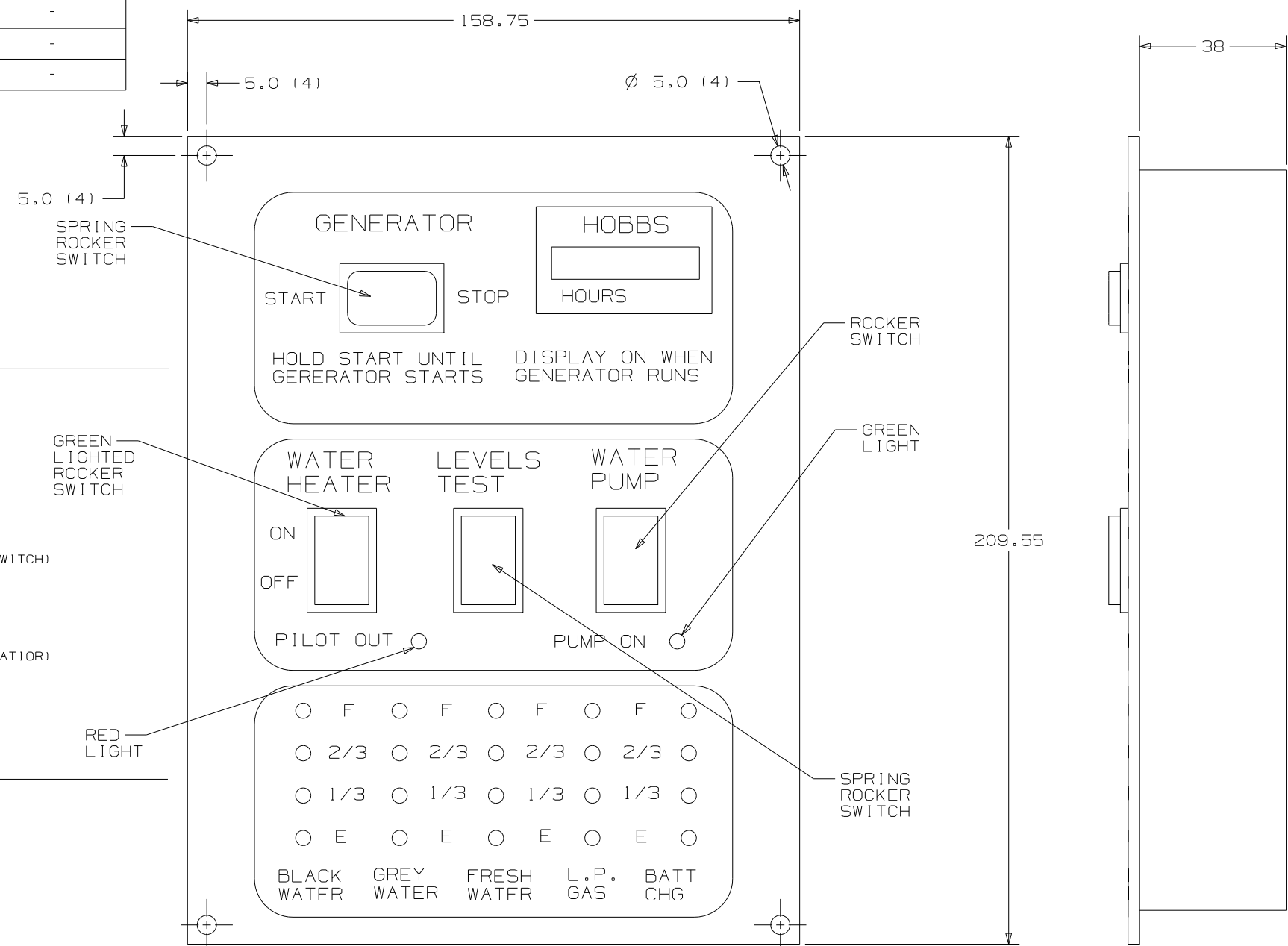
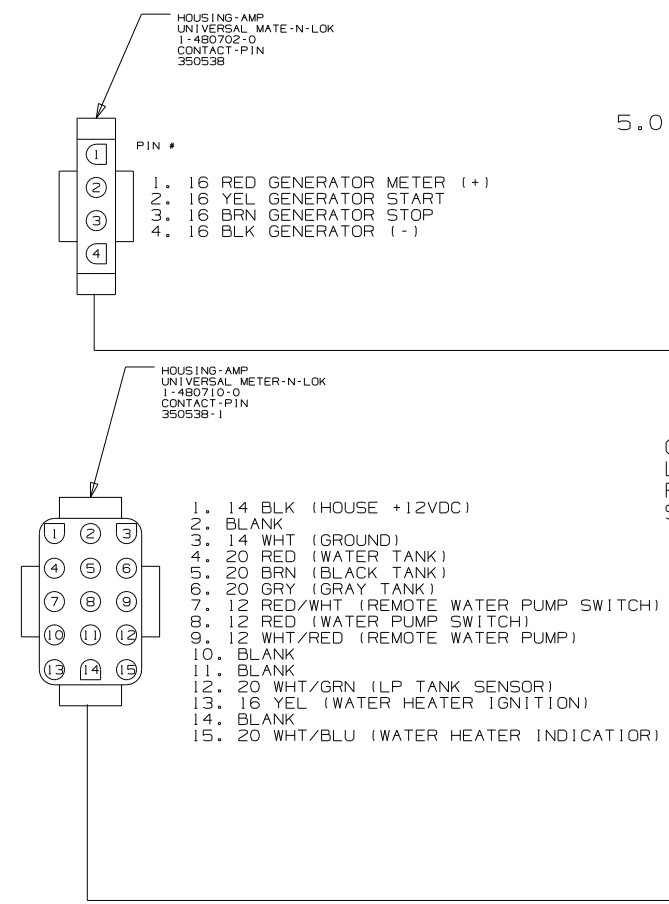
| | |
|-----------------------------|----------------|
| FIRST USED | |
| 05 300 SERIES | |
| DO NOT SCALE DRAWING | |
| TITLE: | |
| WIRING INSTL-EXTERIOR LAMPS | |
| SHEET 2 | PART NO 148499 |

FOR ELECTRICAL TORQUE SPECIFICATIONS SEE DWG NO. 128783-01-000

FOR ELECTRICAL CALLOUTS SEE DWG NO. 121339-01-000

| DWG NO | | SHEET | WEIGHT (LBS.) |
|-----------|------------------------|-------|---------------|
| 134940-01 | W/GEN | 1 | 8.90 |
| 134940-02 | W/O GEN | 2 | - |
| 134940-03 | SWITCH, METER, HARNESS | --- | - |
| 134940-04 | W/G SOLAR | 3 | - |
| 134940-05 | W/GEN SWIT | 4 | - |
| 134940-06 | W/GEN/SEN | 5,6 | - |
| 134940-07 | W/O GEN/SE | 7,8 | - |
| 134940-08 | W/G SOL/SE | 9,10 | - |
| 134940-09 | W/G SW/SEN | 11,12 | - |

| | | | |
|----------|-----------------|--------|-----------|
| RELEASE | REV DATE | DWG NO | 134940 |
| REV ZONE | REVISION RECORD | DATE | DFTR-ORIG |

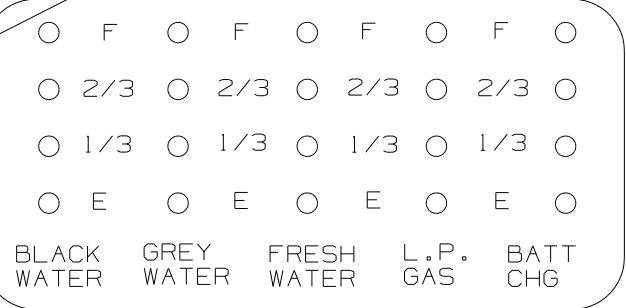
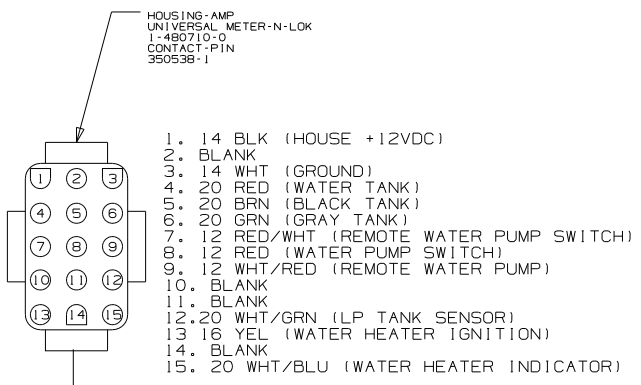
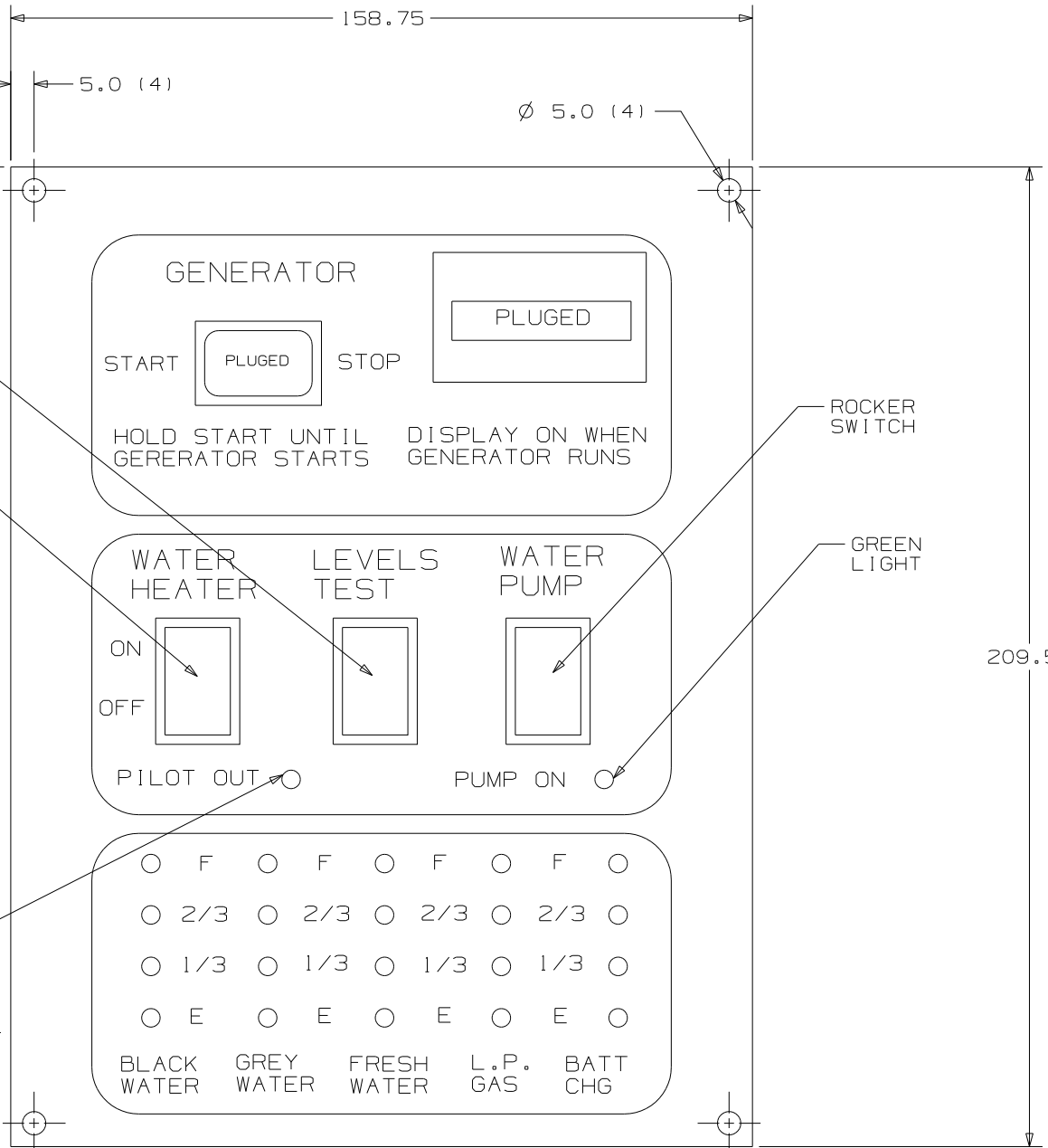


- NOTES:
1. SUGGESTED VENDOR: VENTLINE.
 2. BLACK PANEL WITH WHTIE GRAPHICS.
 3. LETTERS ON MAIN HEADING TO BE 5MM HIGH.
 4. CUTOUT 130 X 192.
 5. SWITCH RATING SHALL BE EMBOSSED ON THE SIDE OF THE 12V SWTICHES.

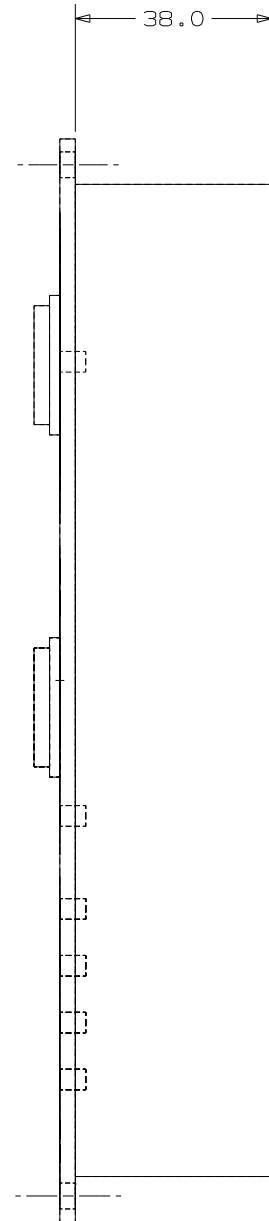
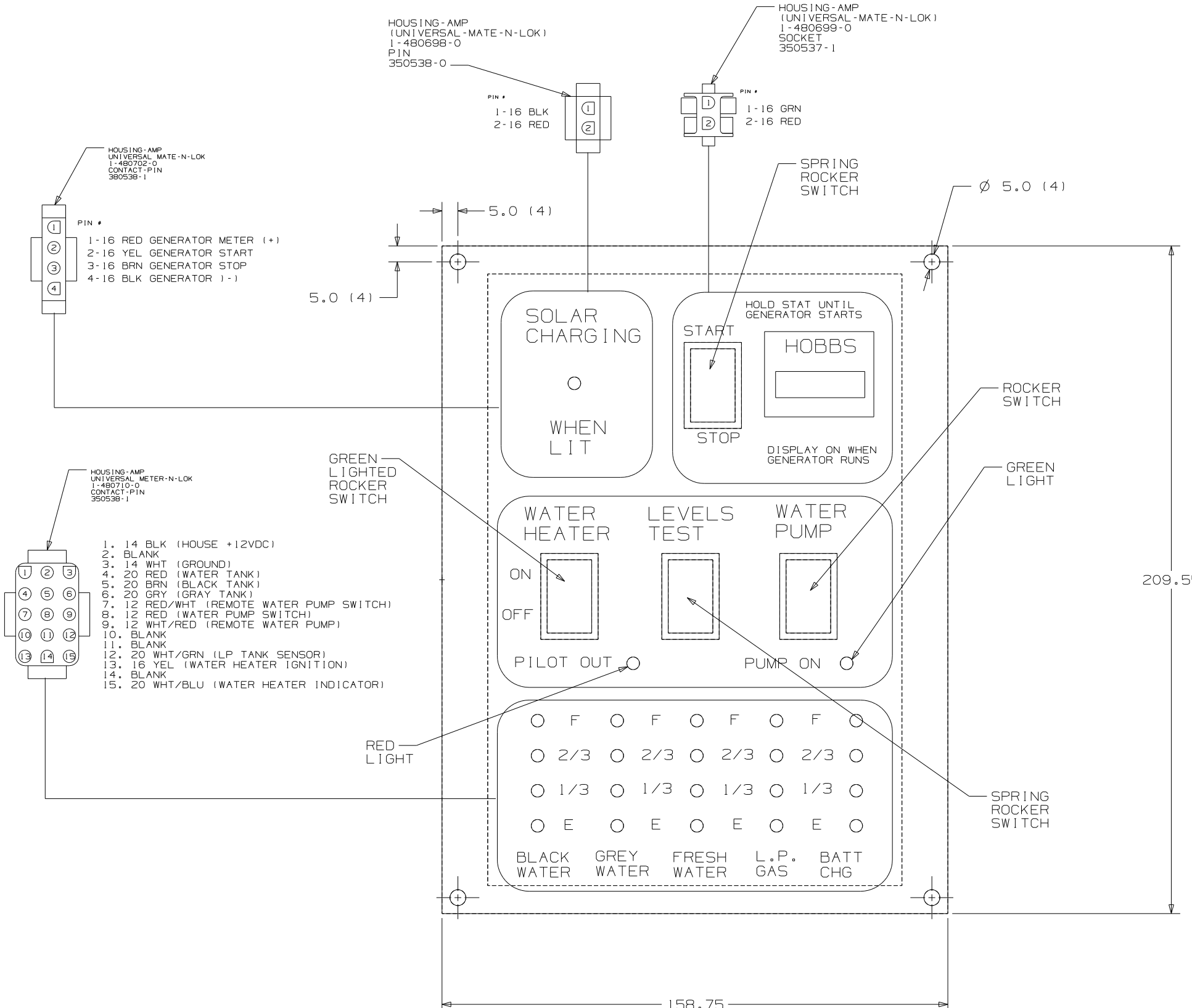
SEE CHART
FOR COLOR VARIATIONS OF THIS PART

WINNEBAGO COPYRIGHT 2004 WINNEBAGO INDUSTRIES, INC.

| | |
|-----------------------------|-----------------------------------|
| DFTR | ORIG. DATE |
| CHKR | ALL DIMENSIONS ARE IN MILLIMETERS |
| P.E. | FIRST USED |
| M.E. | 300 & F SER |
| DSNR | |
| UNSPECIFIED TOLERANCES ARE: | MATERIAL: |
| HOLE DIM (X) | : 1 |
| ONE-PLACE (X.X) | : 1.5 |
| TWO-PLACE (X.XX) | : 0.50 |
| ANGLE | : 1° |
| THIRD ANGLE PROJECTION | |
| DO NOT SCALE DRAWING | |
| TITLE: | PANEL-MONITOR 2-TANK |
| SHEET 1 OF 12 | PART NO 134940 |
| REF: | 1 07/08/2004 |



| | |
|------------|----------------------|
| FIRST USED | 300 & F SER |
| TITLE | DO NOT SCALE DRAWING |
| | PANEL-MONITOR 2-TANK |
| SHEET 2 | PART NO 134940 |



| | |
|------------|----------------------|
| FIRST USED | 300 & F SER |
| TITLE | DO NOT SCALE DRAWING |
| | PANEL-MONITOR 2-TANK |
| SHEET 3 | PART NO 134940 |

8

7

6

5

4

3

2

1

D

D

C

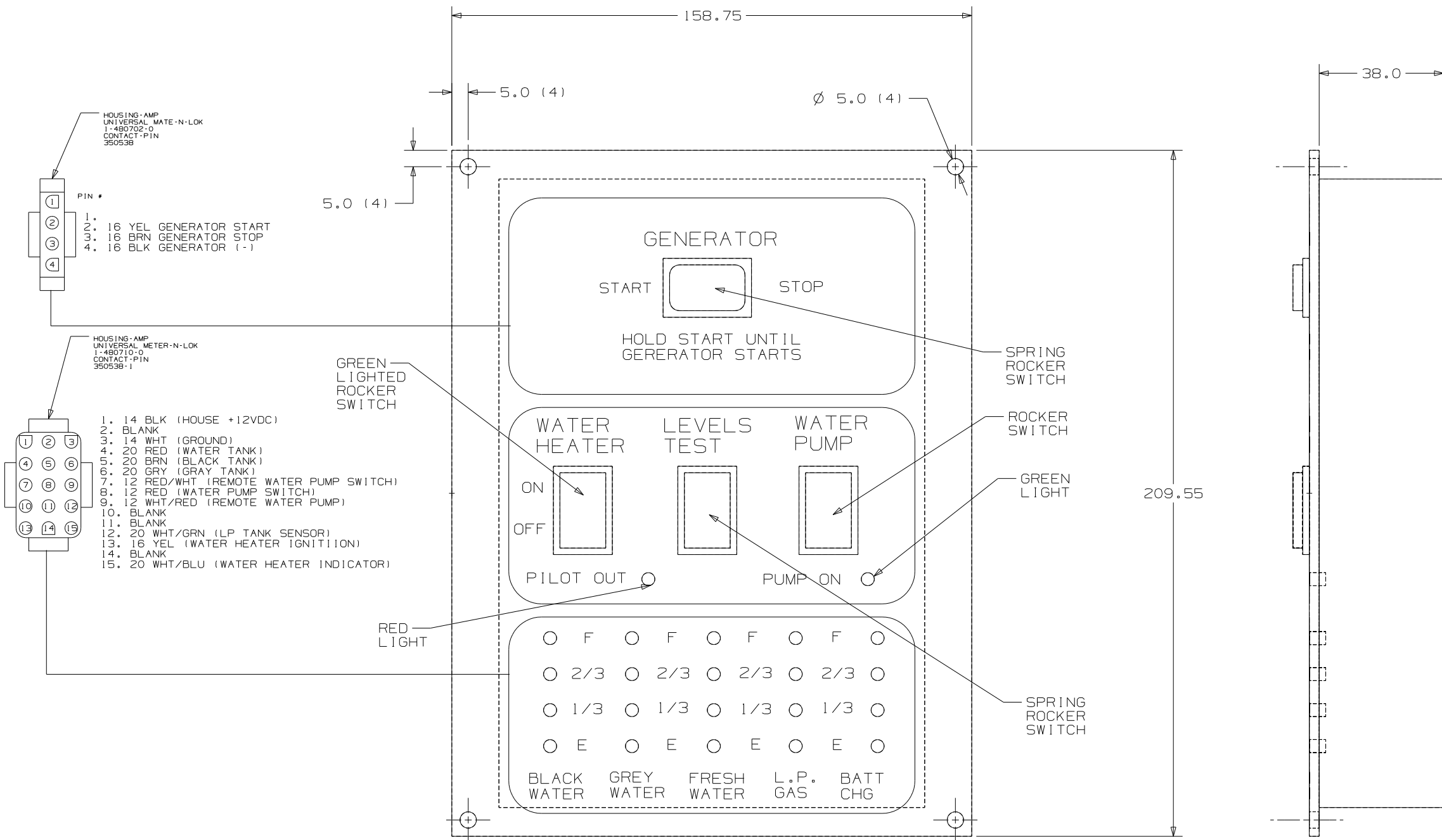
C

B

B

A

A



| | |
|------------|----------------------|
| FIRST USED | 300 & F SER |
| TITLE | DO NOT SCALE DRAWING |
| SHEET 4 | PANEL-MONITOR 2-TANK |
| PART NO | 134940 |

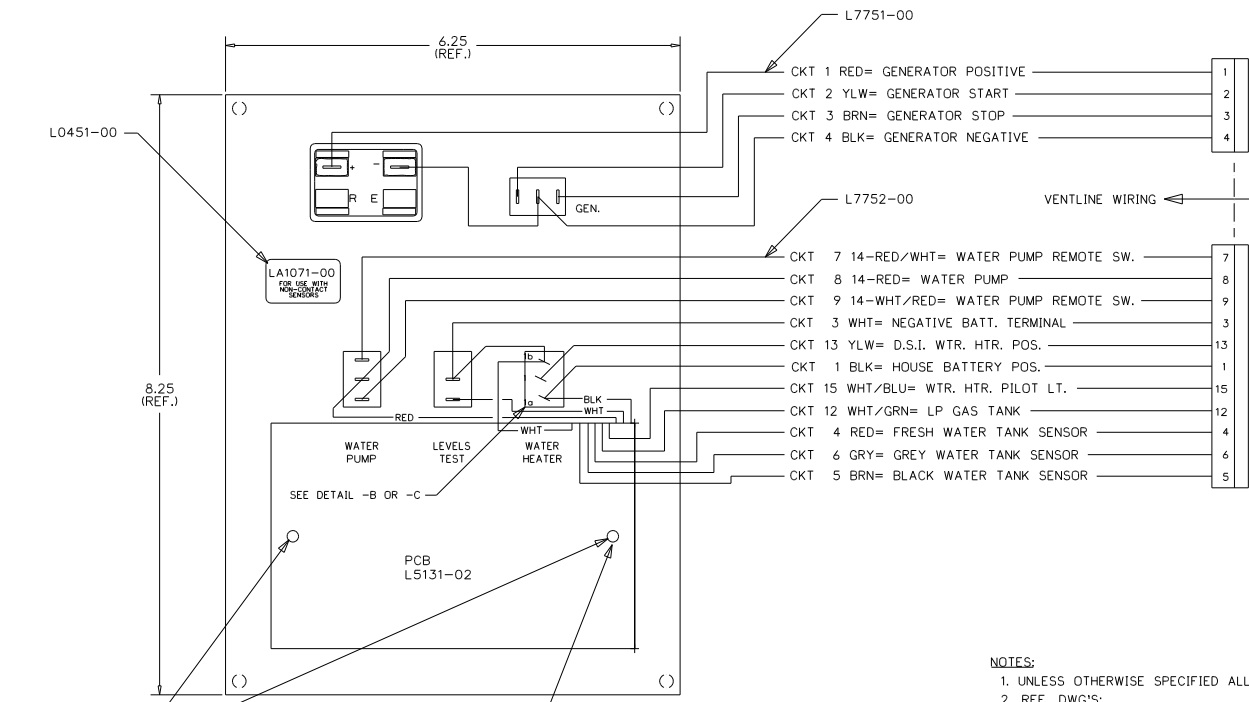
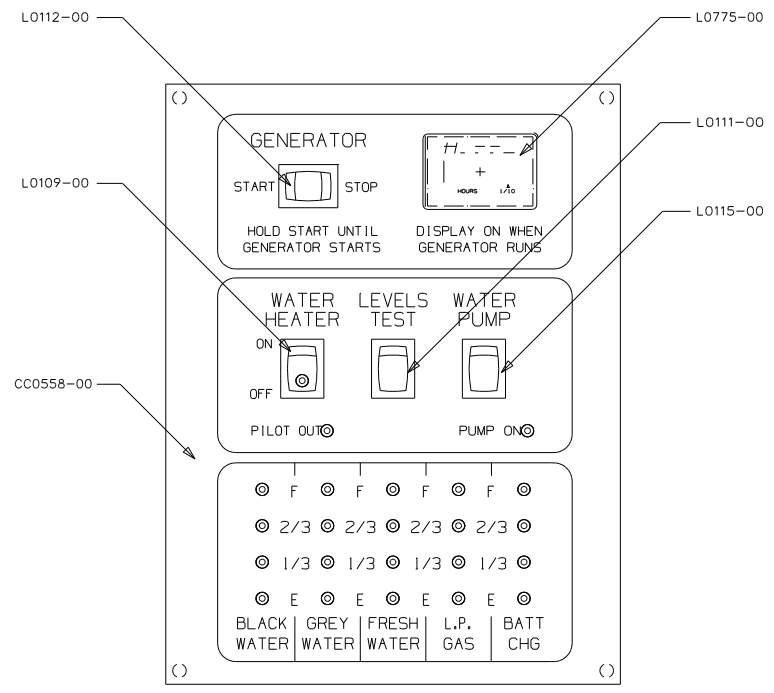
CONFIDENTIAL
 THIS DOCUMENT, INCLUDING ALL INFORMATION CONTAINED HEREIN IS THE EXCLUSIVE AND CONFIDENTIAL PROPERTY OF VENTLINE DIVISION OF TOMKINS INDUSTRIES, INC. THE DOCUMENT AND INFORMATION ARE NOT TO BE COPIED, REPRODUCED OR DELIVERED TO OTHERS, IN WHOLE OR IN PART, WITHOUT THE EXPRESS WRITTEN PERMISSION OF VENTLINE. THE DOCUMENT IS TO BE RETURNED PROMPTLY TO VENTLINE AFTER HAVING SERVED THE PURPOSE FOR WHICH DELIVERED.
 ©1995 VENTLINE DIVISION, TOMKINS INDUSTRIES, INC.
 All Rights Reserved, including the right to reproduce this document or any part thereof.

LA1071-00
 PAGE 2 OF 2

LA1071-00
 FOR USE WITH
 NON-CONTACT
 SENSORS
 (MFG DATE)

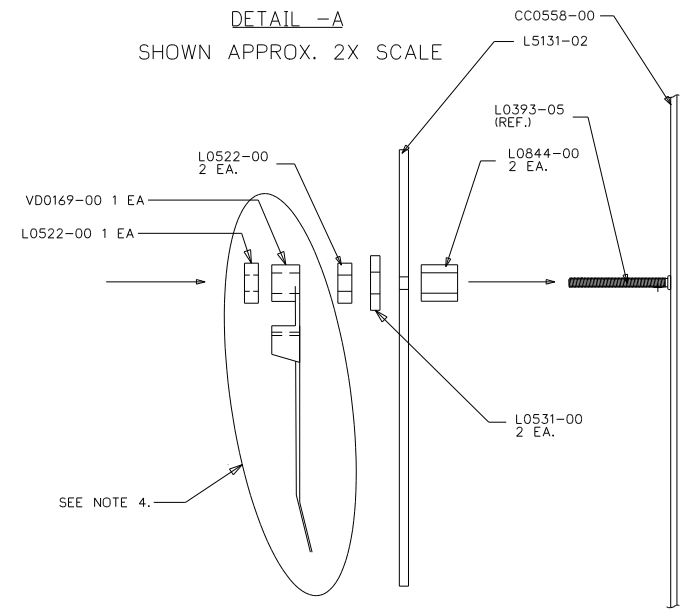
PRODUCT LABEL
 PRINTING DETAIL
 NO SCALE

| LTR. | DESCRIPTION | DATE | CHK. BY | CHK. BY |
|------|--|---------|---------|---------|
| REL | RELEASED TO PURCHASING & PRODUCTION. ECN 16261 | 12/3/03 | MPF | MPR |
| A | ADDED LABEL DETAIL ECN 16381 | 4-6-04 | R.J.L. | R.J.L. |
| B | LS131-02 WAS LS118-02 ECN 16394 | 4-21-04 | R.J.L. | R.J.L. |

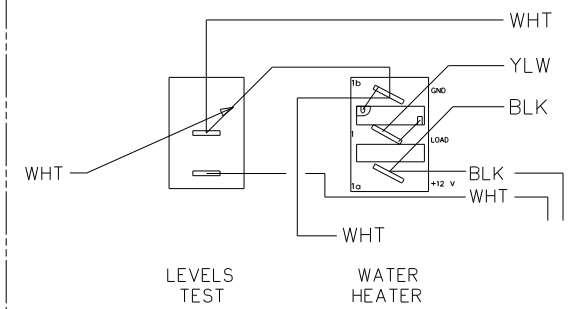


- NOTES:
- UNLESS OTHERWISE SPECIFIED ALL WIRE IS 22 AWG.
 - REF. DWG'S:
 GENERATOR HARNESS= L7751-00
 INTERNAL & SWITCH HARNESS= L7752-00
 PCB= L5131-02
 TEST HARNESS= L7753-00
 TEST BOX= L8506-00
 - ALL PIGTAILS TO BE SUPPLIED BY CUSTOMER.
 - BEFORE PACKING, SECURE HARNESS WITH V00169-00 TIE WRAP ON RIGHT SIDE POST.

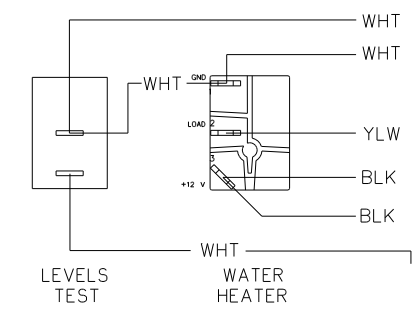
DETAIL -A
 SHOWN APPROX. 2X SCALE



DETAIL -B
 FOR L0109-00 "MARQUARDT"
 SHOWN APPROX. 2X SCALE



DETAIL -C
 FOR L0109-00 "CARLINGSWITCH"
 SHOWN APPROX. 2X SCALE



| PART NO. | REQ'D | MATERIAL | DESCRIPTION | DWG SIZE |
|-----------|-------|----------|-----------------------------------|----------|
| V00169-00 | 1 | | TIE WRAP | |
| L7752-00 | 1 | | HARNESS, INTERNAL & SWITCH | |
| L7751-00 | 1 | | HARNESS, GENERATOR | |
| L5131-02 | 1 | | PCB | |
| L0775-00 | 1 | | HOBBS HOUR METER | |
| L0531-00 | 2 | | FIBER WASHER | |
| L0522-00 | 3 | | HEX NUT, 6-32 | |
| L0451-00 | 1 | | LABEL - SEE PRINTING DETAIL ABOVE | |
| L0844-00 | 2 | | PCB SPACER | |
| L0115-00 | 1 | | SWITCH, SPDT ON-ON, BLK | |
| L0112-00 | 1 | | SWITCH, SPDT (ON-OFF-(ON), BLK | |
| L0111-00 | 1 | | SWITCH, SPST MOM. (ON-OFF, BLK | |
| L0109-00 | 1 | | SWITCH, SPST ON-OFF, BLK, GRN LT. | |
| CC0558-00 | 1 | | SILKSCREENED CHASSIS | |

ENGLISH TOLERANCE UNLESS SPECIFIED
 0 PL.: .040 1 PL.: .020
 2 PL.: .010 3 PL.: .005
 FRACTIONS: 1/64

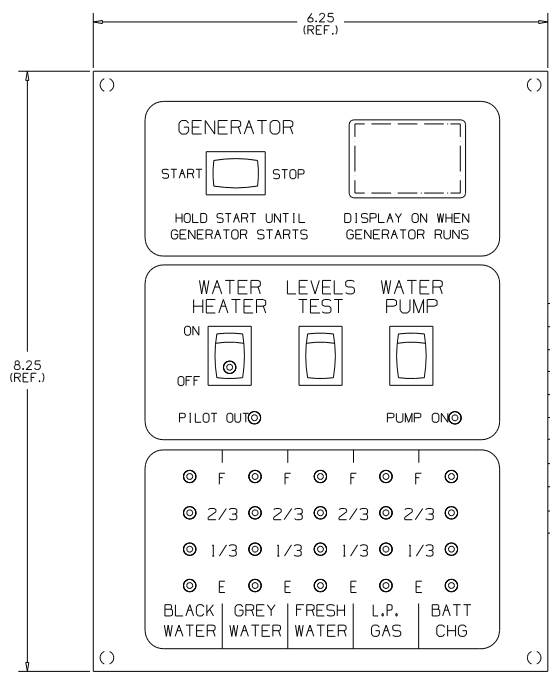
| BLANK SIZE | DATE | MATERIAL | USED ON | WINNEBAGO |
|--------------|----------|---------------------------------|----------------------|--|
| MPR 11/20/03 | 11/20/03 | SEE BOM PAGE 2 | | PHILIPS IND. INC. VENTLINE DIVISION BRISTOL, INDIANA 46507 |
| CHECKED | DATE | NAME | SCALE: NONE | |
| MPR 11/20/03 | 11/20/03 | | | |
| APPR'D | DATE | FUNCTION DRAWING, MONITOR PANEL | DWG. NO. PAGE 2 OF 2 | LA1071-00 |

| | |
|------------|----------------------|
| FIRST USED | 05 D SEIRES |
| TITLE: | DO NOT SCALE DRAWING |
| | PANEL - MONITOR |
| SHEET 6 | PART NO 134940 |

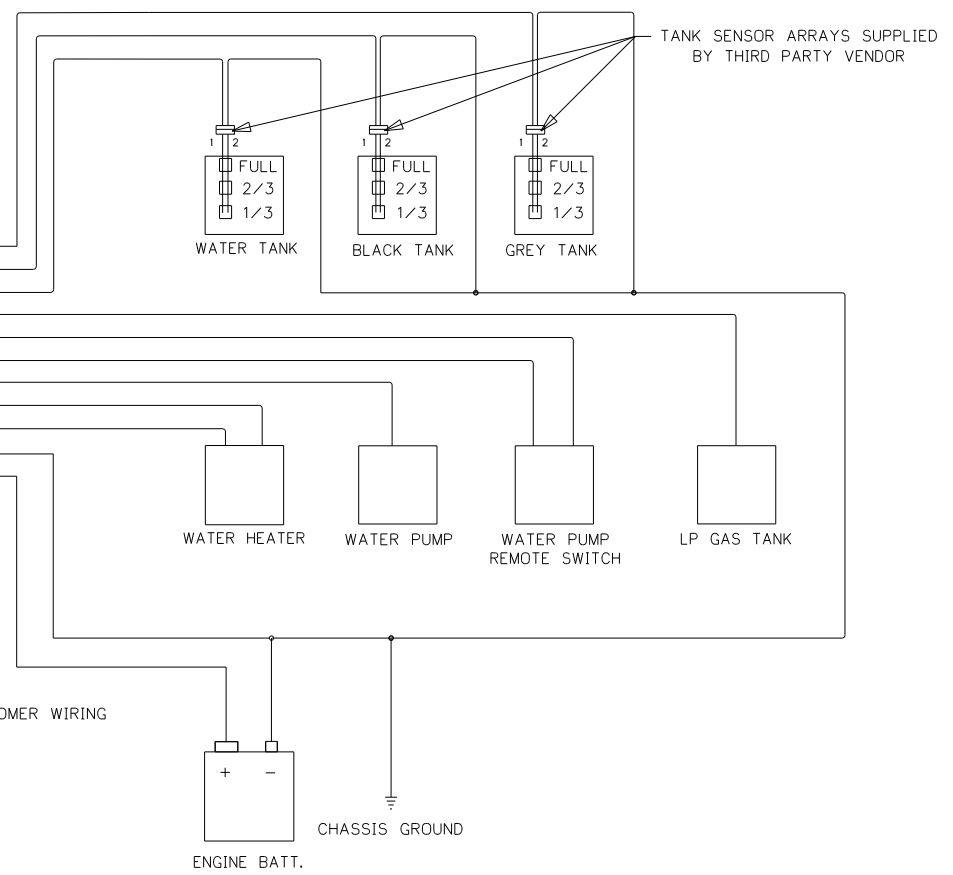
CONFIDENTIAL
 THIS DOCUMENT, INCLUDING ALL INFORMATION CONTAINED HEREIN, IS THE EXCLUSIVE AND CONFIDENTIAL PROPERTY OF VENTLINE DIVISION OF TOWNS INDUSTRIES, INC. THE DOCUMENT AND INFORMATION ARE NOT TO BE COPIED, REPRODUCED OR DELIVERED TO OTHERS, IN WHOLE OR IN PART, WITHOUT THE EXPRESS WRITTEN PERMISSION OF VENTLINE. THE DOCUMENT IS TO BE RETURNED PROMPTLY TO VENTLINE AFTER HAVING SERVED THE PURPOSE FOR WHICH DELIVERED.
 ©2005 VENTLINE DIVISION, TOWNS INDUSTRIES, INC.
 All Rights Reserved, including the right to reproduce this document or any part thereof.

LA1073-00
 PAGE 1 OF 2

| LTR. | DESCRIPTION | DATE | CHK'D BY | CHK'D BY |
|------|-------------------------------------|---------|----------|----------|
| REL | RELEASED TO PURCHASING & PRODUCTION | 12/3/03 | MPP | MPP |
| A | SEE SHEET 2 ECN 16381 | 4-6-04 | R.J.L. | R.J.L. |
| B | L5131-02 WAS L5118-02 ECN 16394 | 4-21-04 | R.J.L. | R.J.L. |



- 15 CKT CONNECTOR
 MALE FEMALE
- 6 GRY= GREY WATER TANK SENSOR
 - 5 BRN= BLACK WATER TANK SENSOR
 - 4 RED= FRESH WATER TANK SENSOR
 - 12 WHT/GRN= LP GAS TANK
 - 7 14-RED/WHT= WATER PUMP REMOTE SW.
 - 9 14-WHT/RED= WATER PUMP REMOTE SW.
 - 8 14-RED= WATER PUMP
 - 13 YLW= D.S.I. WTR. HTR. POS.
 - 15 WHT/BLU= WTR. HTR. PILOT LT.
 - 3 WHT= NEGATIVE BATT. TERMINAL
 - 1 BLK= HOUSE BATTERY POS.
 - 2 N.C.
 - 10 N.C.
 - 11 N.C.
 - 14 N.C.



- NOTES:**
- UNLESS OTHERWISE SPECIFIED ALL WIRE IS 22 AWG.
 - REF. DWG'S:
 HARNESS, INTERNAL & SWITCH= L7752-00
 PCB= L5131-02
 HARNESS, TEST= L7753-00
 TEST BOX= L8506-00
 - ALL PIGTAILS TO BE SUPPLIED BY CUSTOMER.
 - BEFORE PACKING, SECURE HARNESS WITH VD0169-00 TIE WRAP ON RIGHT SIDE POST.

ENGLISH TOLERANCE UNLESS SPECIFIED
 0 PL.: .040 1 PL.: .020
 2 PL.: .010 3 PL.: .005
 FRACTIONS: 1/64

| PART NO. | REQ'D | MATERIAL | DESCRIPTION | DWG SIZE |
|------------|----------|----------------|-------------------|----------|
| BLANK SIZE | | | USED ON WINNEBAGO | |
| DRAWN | DATE | MATERIAL | | |
| MPR | 11/21/03 | SEE BOM PAGE 2 | | |
| CHECKED | DATE | NAME | | |
| MPR | 11/21/03 | | | |
| APPV'D | DATE | | | |

FUNCTION DRAWING,
 MONITOR PANEL
 LA1073-00

| | |
|------------|----------------------|
| FIRST USED | 05 D SERIES |
| TITLE | DO NOT SCALE DRAWING |
| SHEET 7 | PART NO 134940 |
| | 1 07/08/2004 |

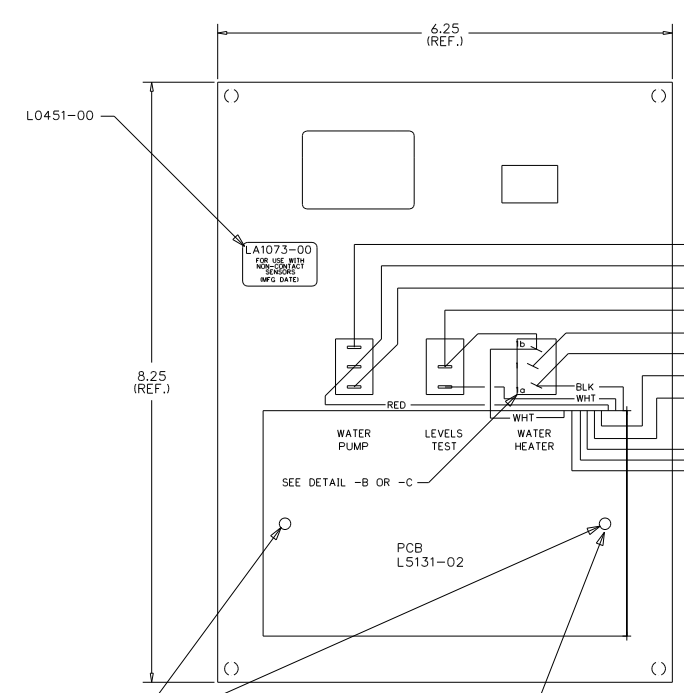
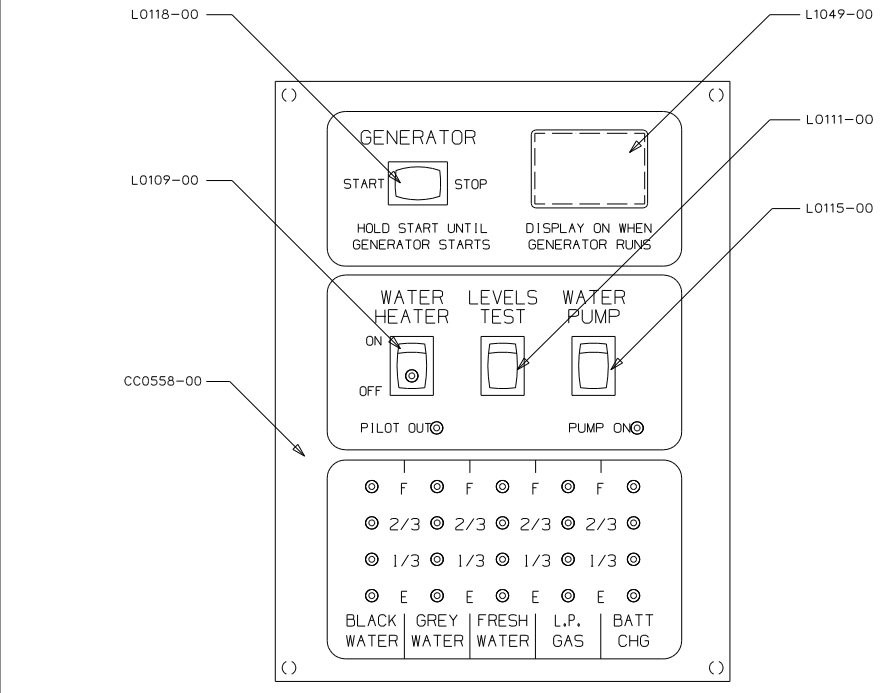
CONFIDENTIAL
 THIS DOCUMENT, INCLUDING ALL INFORMATION CONTAINED HEREIN IS THE EXCLUSIVE AND CONFIDENTIAL PROPERTY OF VENTLINE DIVISION OF TOMKINS INDUSTRIES, INC. THE DOCUMENT AND INFORMATION ARE NOT TO BE COPIED, REPRODUCED OR DELIVERED TO OTHERS, IN WHOLE OR IN PART, WITHOUT THE EXPRESS WRITTEN PERMISSION OF VENTLINE. THE DOCUMENT IS TO BE RETURNED PROMPTLY TO VENTLINE AFTER HAVING SERVED THE PURPOSE FOR WHICH DELIVERED.
 ©1995 VENTLINE DIVISION, TOMKINS INDUSTRIES, INC.
 All Rights Reserved, including the right to register this document or any part thereof.

LA1073-00
 PAGE 2 OF 2

| LTR. | DESCRIPTION | DATE | CHK. BY | APP. BY |
|------|---|---------|---------|---------|
| REL. | RELEASED TO PURCHASING & PRODUCTION ECN 16261 | 12/3/03 | MPP | MPP |
| A | ADDED LABEL DETAIL ECN 16381 | 4-6-04 | R.J. | R.J. |
| B | L5131-02 WAS L5118-02 ECN 16394 | 4-21-04 | R.J. | R.J. |

LA1073-00
 FOR USE WITH
 NON-CONTACT
 SENSORS
 (MFG DATE)

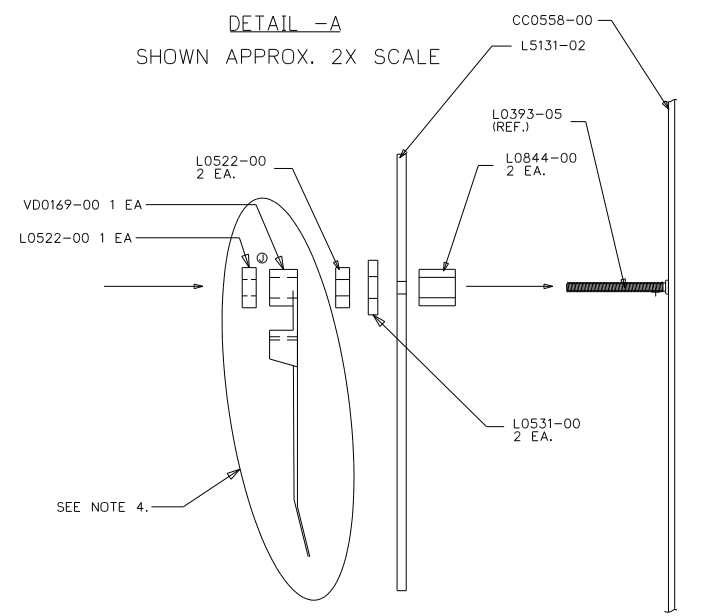
PRODUCT LABEL
 PRINTING DETAIL
 NO SCALE



| CTK | WIRE COLOR | FUNCTION | TERMINAL |
|-----|------------|-------------------------|----------|
| 7 | 14-RED/WHT | WATER PUMP REMOTE SW. | 7 |
| 8 | 14-RED | WATER PUMP | 8 |
| 9 | 14-WHT/RED | WATER PUMP REMOTE SW. | 9 |
| 3 | WHT | NEGATIVE BATT. TERMINAL | 3 |
| 13 | YLW | D.S.I. WTR. HTR. POS. | 13 |
| 1 | BLK | HOUSE BATTERY POS. | 1 |
| 15 | WHT/BLU | WTR. HTR. PILOT LT. | 15 |
| 12 | WHT/GRN | LP GAS TANK | 12 |
| 4 | RED | FRESH WATER TANK SENSOR | 4 |
| 6 | GRY | GREY WATER TANK SENSOR | 6 |
| 5 | BRN | BLACK WATER TANK SENSOR | 5 |

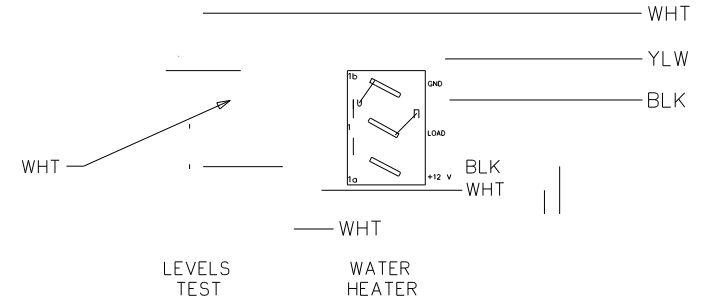
DETAIL -A

SHOWN APPROX. 2X SCALE



DETAIL -B

SHOWN APPROX. 2X SCALE



NOTES:

- UNLESS OTHERWISE SPECIFIED ALL WIRE IS 22 AWG.
- REF. DWG.'S:
 HARNESS, INTERNAL & SWITCH= L7752-00
 PCB= L5131-02
 HARNESS, TEST= L7753-00
 TEST BOX= L8506-00
- ALL PIGTAILS TO BE SUPPLIED BY CUSTOMER.
- BEFORE PACKING, SECURE HARNESS WITH VD0169-00 TIE WRAP ON RIGHT SIDE POST.

| PART NO. | QTY | MATERIAL | DESCRIPTION | DWG SIZE |
|-----------|-----|----------|-----------------------------------|----------|
| VD0169-00 | 1 | | TIE WRAP WITH POST HOLE | |
| L7752-00 | 1 | | HARNESS, INTERNAL & SWITCH | |
| L5131-02 | 1 | | PCB | |
| L1049-00 | 1 | | HOLE PLUG | |
| L0531-00 | 4 | | FIBER WASHER | |
| L0522-00 | 3 | | HEX NUT, 6-32 | |
| L0451-00 | 1 | | LABEL | |
| L0844-00 | 2 | | PCB SPACER | |
| L0118-00 | 1 | | SWITCH, DUMMY | |
| L0115-00 | 1 | | SWITCH, SPDT ON-ON, BLK | |
| L0111-00 | 1 | | SWITCH, SPST MOM. IONI-OFF, BLK | |
| L0109-00 | 1 | | SWITCH, SPST ON-OFF, BLK, GRN LT. | |
| CC0558-00 | 1 | | SILKSCREENED CHASSIS | |

ENGLISH (TOLERANCE UNLESS SPECIFIED)
 0 PL: ±.040 1 PL: ±.020
 2 PL: ±.010 3 PL: ±.005
 FRACTIONS ±1/64

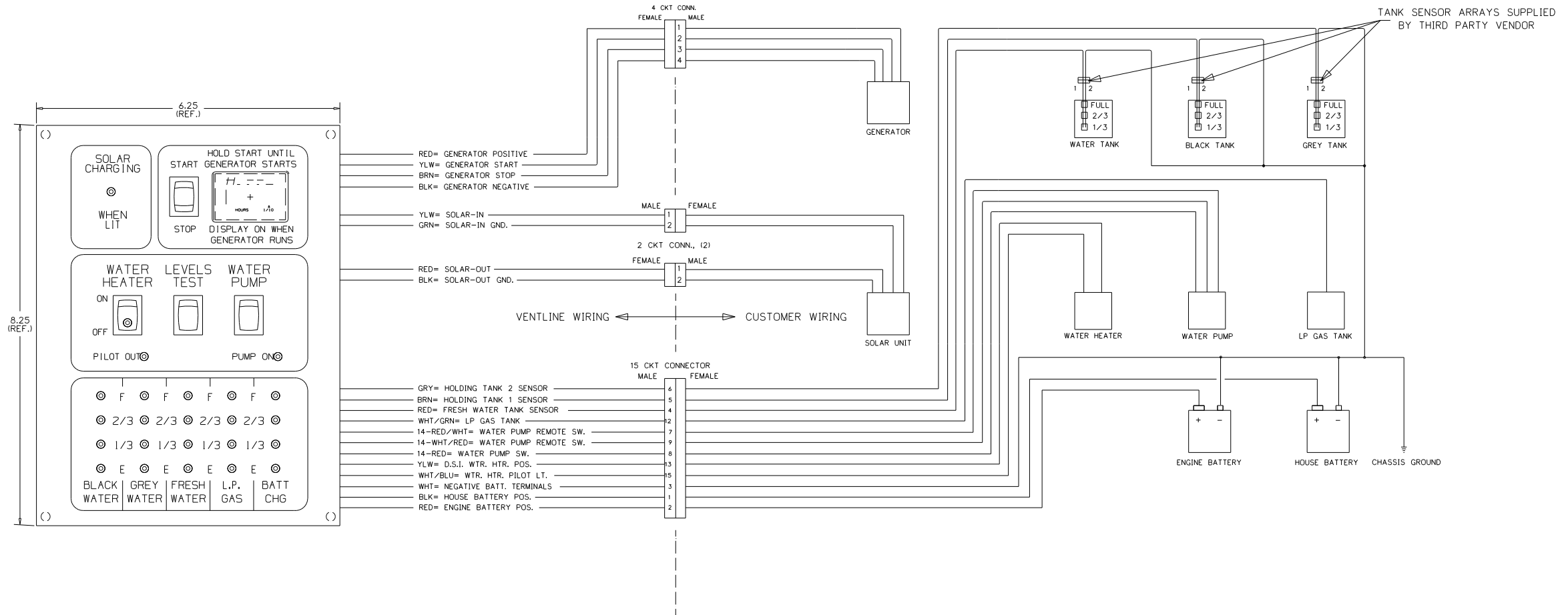
| | | |
|--------------|---------------------------------|-----------------------------------|
| BLANK SIZE | USED ON | WINNEBAGO |
| DRAWN DATE | MATERIAL | SEE BOM PAGE 2 |
| MPR 11/21/03 | | |
| CHECKED DATE | NAME | |
| MPR 11/21/03 | | |
| APP'D DATE | FUNCTION DRAWING, MONITOR PANEL | DWG. NO. PAGE 2 OF 2 LA1073-00 |

| | |
|------------|----------------------|
| FIRST USED | 05 D SERIES |
| TITLE | DO NOT SCALE DRAWING |
| TITLE | PANEL - MONITOR |
| SHEET 8 | PART NO 134940 |

CONFIDENTIAL
 THIS DOCUMENT, INCLUDING ALL INFORMATION CONTAINED HEREIN, IS THE EXCLUSIVE AND CONFIDENTIAL PROPERTY OF VENTLINE DIVISION OF TOMKINS INDUSTRIES, INC. THE DOCUMENT AND INFORMATION ARE NOT TO BE COPIED, REPRODUCED OR DELIVERED TO OTHERS, IN WHOLE OR IN PART, WITHOUT THE EXPRESS WRITTEN PERMISSION OF VENTLINE. THE DOCUMENT IS TO BE RETURNED PROMPTLY TO VENTLINE AFTER HAVING SERVED THE PURPOSE FOR WHICH DELIVERED.
 © 1995 VENTLINE DIVISION, TOMKINS INDUSTRIES, INC.
 All Rights Reserved, including the right to register this document or any part thereof.

LA1074-00
 PAGE 1 OF 2

| LTR. | DESCRIPTION | DATE | BY | CHK'D |
|------|--|---------|---------|-------|
| REL | RELEASED TO PURCHASING & PRODUCTION. ECN 16261 | 12/3/03 | MPR/MPR | |
| A | SEE SHEET 2 ECN 16381 | 4-6-04 | RJL/RJL | |
| B | L5131-02 WAS L5118-02 ECN 16394 | 4-21-04 | RJL/RJL | |



- NOTES:
- UNLESS OTHERWISE SPECIFIED ALL WIRE IS 22 AWG.
 - REF. DWG.'S:
 HARNESS, INTERNAL & SWITCH= L7752-00
 HARNESS, GEN. INTERNAL & SWITCH= L7786-00
 HARNESS, SOLAR LIGHT= L7722-00
 PCB= L5131-02
 HARNESS, TEST= L7753-00
 TEST BOX= L8506-00
 - ALL PIGTAILS TO BE SUPPLIED BY CUSTOMER.
 - BEFORE PACKING, SECURE HARNESS WITH VDO169-00 TIE WRAP ON RIGHT SIDE POST.

ENGLISH TOLERANCE UNLESS SPECIFIED
 0 PL.: .040 1 PL.: .020
 2 PL.: .010 3 PL.: .005
 FRACTIONS 1/64

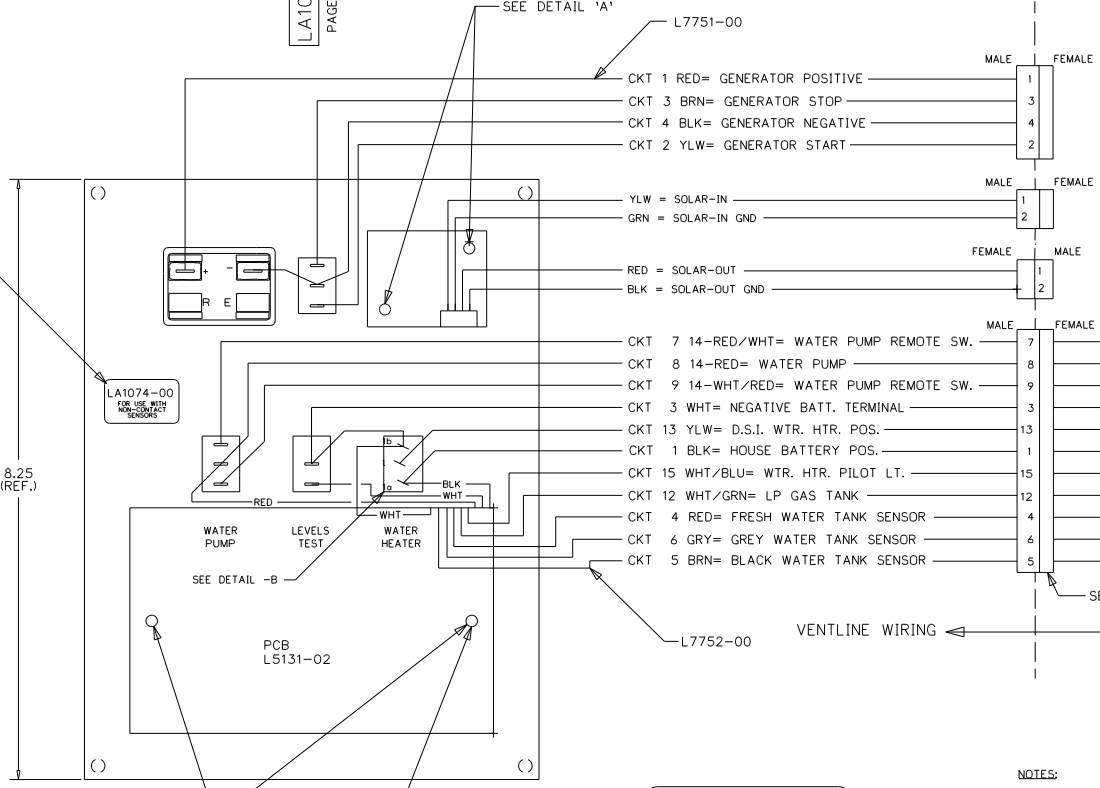
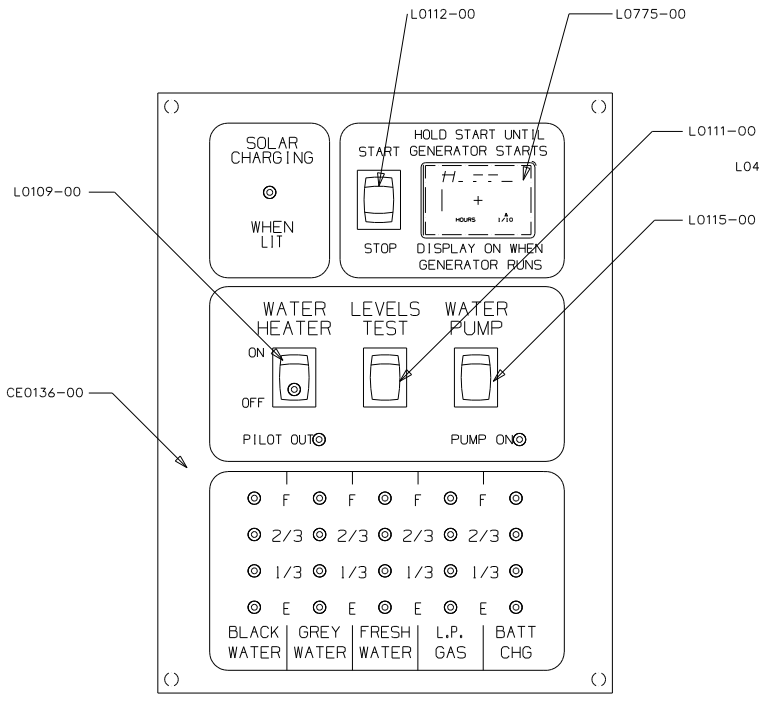
| PART NO. | REV'D | MATERIAL | DESCRIPTION | DWG SIZE |
|----------|-------|----------|--|----------|
| | | | USED WINNEBAGO | |
| | | | PHILIPS IND. INC. VENTLINE DIVISION BRISTOL, INDIANA 46507 | |
| | | | SCALE: NONE | |
| | | | FUNCTION DRAWING, MONITOR PANEL | |
| | | | DWG. NO. LA1074-00 | |

| | |
|------------|----------------------|
| FIRST USED | 05 D SERIES |
| TITLE | DO NOT SCALE DRAWING |
| SHEET 9 | PART NO 134940 |
| | DATE 07/08/2004 |

CONFIDENTIAL
 THIS DOCUMENT, INCLUDING ALL INFORMATION CONTAINED HEREIN, IS THE EXCLUSIVE AND CONFIDENTIAL PROPERTY OF VENTLINE DIVISION OF TOMKINS INDUSTRIES, INC. THE DOCUMENT AND INFORMATION ARE NOT TO BE COPIED, REPRODUCED OR DELIVERED TO OTHERS, IN WHOLE OR IN PART, WITHOUT THE EXPRESS WRITTEN PERMISSION OF VENTLINE. THE DOCUMENT IS TO BE RETURNED PROMPTLY TO VENTLINE AFTER HAVING SERVED THE PURPOSE FOR WHICH DELIVERED.
 ©1995 VENTLINE DIVISION, TOMKINS INDUSTRIES, INC.
 All Rights Reserved, including the right to reproduce this document or any part thereof.

LA1074-00
 PAGE 2 OF 2

| LTR. | DESCRIPTION | DATE | BY | CHK. |
|------|-------------------------------------|---------|------|------|
| REL | RELEASED TO PURCHASING & PRODUCTION | 12/3/03 | MPR | MPR |
| A | ADDED LABEL DETAIL ECN 16381 | 4-6-04 | R.L. | R.L. |
| B | L5131-02 WAS L5118-02 ECN 16394 | 4-21-04 | R.L. | R.L. |

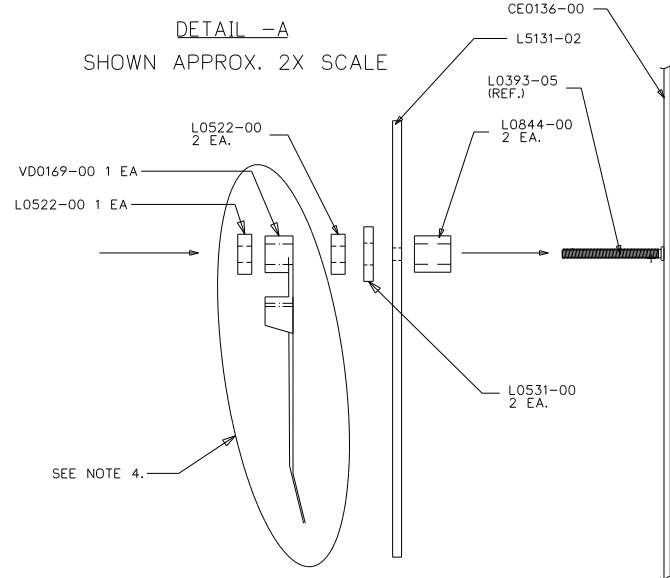


LA1074-00
 FOR USE WITH
 NON-CONTACT
 SENSORS
 (MFG DATE)

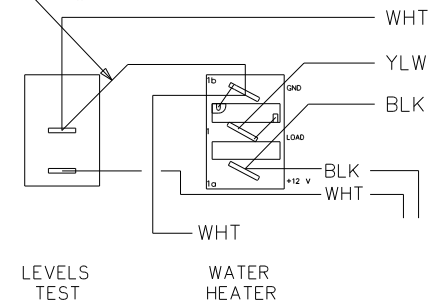
⊙
 PRODUCT LABEL
 PRINTING DETAIL
 NO SCALE

- NOTES:
- UNLESS OTHERWISE SPECIFIED ALL WIRE IS 22 AWG.
 - REF. DWG.'S:
 HARNESS, INTERNAL & SWITCH= L7752-00
 HARNESS, GEN. INTERNAL & SWITCH= L7786-00
 HARNESS, SOLAR LIGHT= L7722-00
 PCB= L5131-02
 HARNESS, TEST= L7753-00
 TEST BOX= L8506-00
 - ALL PIGTAILS TO BE SUPPLIED BY CUSTOMER.
 - BEFORE PACKING, SECURE HARNESS WITH V00169-00 TIE WRAP ON RIGHT SIDE POST.

DETAIL -A
 SHOWN APPROX. 2X SCALE



DETAIL -B
 SHOWN APPROX. 2X SCALE



| PART NO. | REQ'D | MATERIAL | DESCRIPTION | QTY |
|-----------|-------|----------|-----------------------------------|-----|
| V00169-00 | 1 | | TIE WRAP | |
| L7752-00 | 1 | | HARNESS, INTERNAL & SWITCH | |
| L7751-00 | 1 | | HARNESS, GENERATOR | |
| L7722-00 | 1 | | SOLAR LIGHT HARNESS | |
| L5121-01 | 1 | | SOLAR LIGHT PCB | |
| L5131-02 | 1 | | PCB | |
| L0775-00 | 1 | | HOBBS HOUR METER | |
| L0531-00 | 4 | | FIBER WASHER | |
| L0522-00 | 5 | | HEX NUT, 6-32 | |
| L0451-00 | 1 | | LABEL | |
| L0844-00 | 4 | | PCB SPACER | |
| L0115-00 | 1 | | SWITCH, SPDT ON-OFF, BLK | |
| L0112-00 | 1 | | SWITCH, SPDT (ON)-OFF-(ON), BLK | |
| L0111-00 | 1 | | SWITCH, SPST MOM. (ON)-OFF, BLK | |
| L0109-00 | 1 | | SWITCH, SPST ON-OFF, BLK, GRN LT. | |
| CE0136-00 | 1 | | SILKSCREENED CHASSIS | |

ENGLISH (TOLERANCE UNLESS SPECIFIED)
 0 PL.:.040 1 PL.:.020
 2 PL.:.010 3 PL.:.005
 FRACTIONS 1/64

| BLANK SIZE | DATE | MATERIAL | USED ON | WINNEBAGO |
|------------|----------|----------|---------|-----------|
| DRWN | 11/21/03 | SEE BOM | | |
| CHECKED | DATE | NAME | | |
| MPR | 11/21/03 | | | |
| APP'VD | DATE | | | |

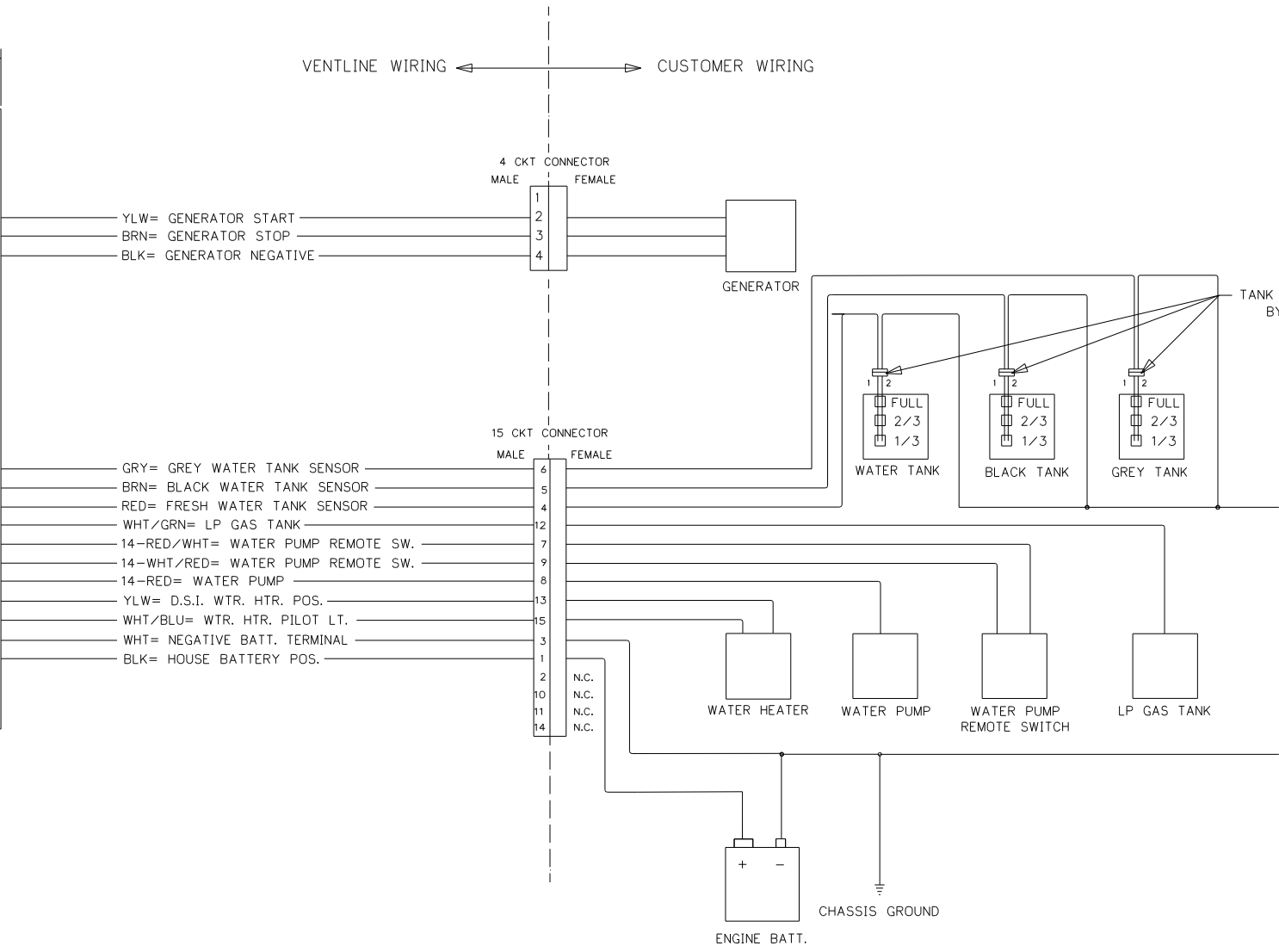
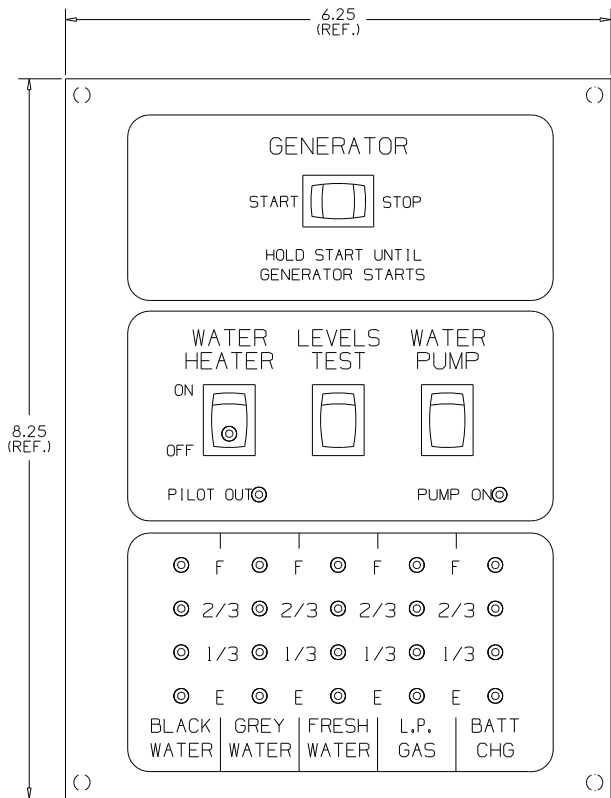
FUNCTION DRAWING,
 MONITOR PANEL
 LA1074-00

| | |
|------------|----------------------|
| FIRST USED | 05 D SERIES |
| TITLE: | DO NOT SCALE DRAWING |
| | PANEL - MONITOR |
| SHEET 10 | PART NO 134940 |

CONFIDENTIAL
 THIS DOCUMENT, INCLUDING ALL INFORMATION CONTAINED HEREIN, IS THE EXCLUSIVE AND CONFIDENTIAL PROPERTY OF VENTLINE DIVISION OF TOMKINS INDUSTRIES, INC. THE DOCUMENT AND INFORMATION ARE NOT TO BE COPIED, REPRODUCED OR DELIVERED TO OTHERS, IN WHOLE OR IN PART, WITHOUT THE EXPRESS WRITTEN PERMISSION OF VENTLINE. THE DOCUMENT IS TO BE RETURNED PROMPTLY TO VENTLINE AFTER HAVING SERVED THE PURPOSE FOR WHICH DELIVERED.
 ©1995 VENTLINE DIVISION, TOMKINS INDUSTRIES, INC.
 All Rights Reserved, including the right to reproduce this document or any part thereof.

LA1075-00
 PAGE 1 OF 2

| LTR. | DESCRIPTION | DATE | CHK. BY |
|------|---------------------------------------|---------|-----------|
| REL | RELEASED TO PURCHASING AND PRODUCTION | 12/3/03 | MPR/MPR |
| A | SEE SHEET 2 ECN 16381 ECN 16261 | 4-6-04 | R.L. R.L. |
| B | L5131-02 WAS L5118-02 ECN 16394 | 4-21-04 | R.L. R.L. |



- YLW= GENERATOR START
- BRN= GENERATOR STOP
- BLK= GENERATOR NEGATIVE
- GRY= GREY WATER TANK SENSOR
- BRN= BLACK WATER TANK SENSOR
- RED= FRESH WATER TANK SENSOR
- WHT/GRN= LP GAS TANK
- 14-RED/WHT= WATER PUMP REMOTE SW.
- 14-WHT/RED= WATER PUMP REMOTE SW.
- 14-RED= WATER PUMP
- YLW= D.S.I. WTR. HTR. POS.
- WHT/BLU= WTR. HTR. PILOT LT.
- WHT= NEGATIVE BATT. TERMINAL
- BLK= HOUSE BATTERY POS.

- NOTES:
- UNLESS OTHERWISE SPECIFIED ALL WIRE IS 22 AWG.
 - REF. DWG.'S:
 HARNESS, INTERNAL & SWITCH= L7752-00
 HARNESS, GEN. INTERNAL & SWITCH= L7786-00
 HARNESS, SOLAR LIGHT= L7722-00
 PCB= L5131-02
 HARNESS, TEST= L7753-00
 TEST BOX= L8506-00
 - ALL PIGTAILS TO BE SUPPLIED BY CUSTOMER.
 - BEFORE PACKING, SECURE HARNESS WITH VD0169-00 TIE WRAP ON RIGHT SIDE POST.

ENGLISH TOLERANCE UNLESS SPECIFIED:
 0 PL. ± .040 1 PL. ± .020
 2 PL. ± .010 3 PL. ± .005
 FRACTIONS ± 1/64

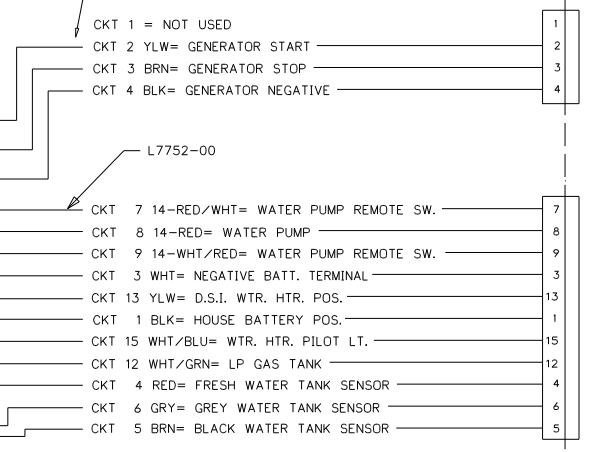
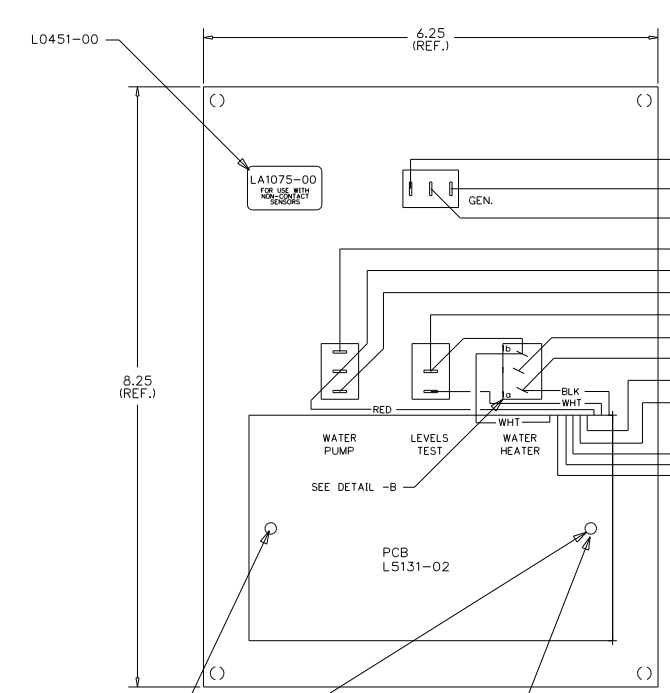
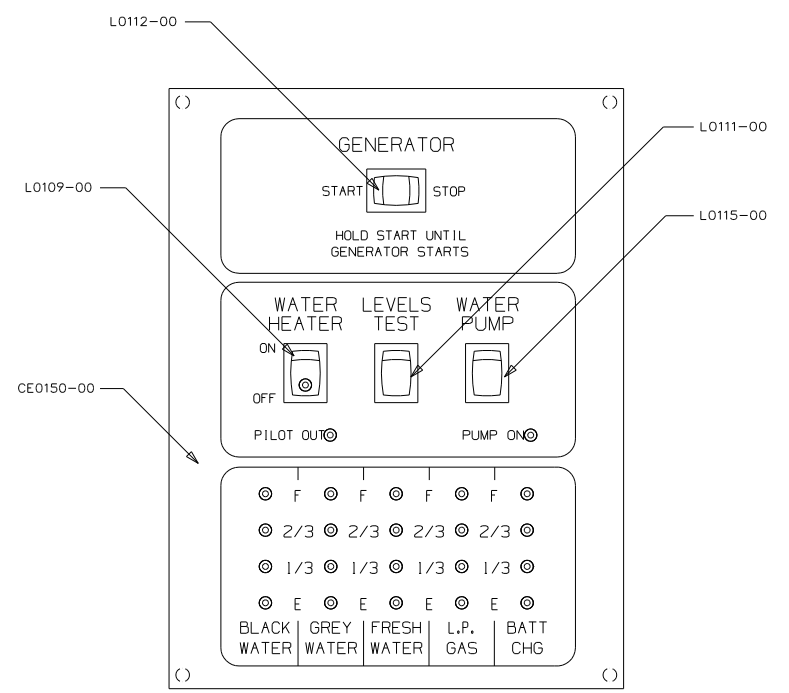
| PART NO. | REQ'D | MATERIAL | DESCRIPTION | DWG SIZE |
|--------------|-------|---------------------------------|--------------------|-------------|
| BLANK SIZE | | | USED ON WINNEBAGO | |
| DRAWN | DATE | MATERIAL | SEE BOM PAGE 2 | |
| MPR 11/21/03 | | | | |
| CHECKED | DATE | NAME | SCALE: NONE | |
| MPR 11/21/03 | | | | |
| APPV'D | DATE | FUNCTION DRAWING, MONITOR PANEL | DWG. NO. LA1075-00 | PAGE 1 OF 2 |

| | |
|------------|----------------------|
| FIRST USED | 06 500 SERIES |
| TITLE: | DO NOT SCALE DRAWING |
| | PANEL - MONITOR |
| SHEET 11 | PART NO 134940 |

CONFIDENTIAL
 THIS DOCUMENT, INCLUDING ALL INFORMATION CONTAINED HEREIN IS THE EXCLUSIVE AND CONFIDENTIAL PROPERTY OF VENTLINE DIVISION OF TRAVCO INDUSTRIES, INC. THE DOCUMENT AND INFORMATION ARE NOT TO BE COPIED, REPRODUCED OR DELIVERED TO OTHERS, IN WHOLE OR IN PART, WITHOUT THE EXPRESS WRITTEN PERMISSION OF VENTLINE. THE DOCUMENT IS TO BE RETURNED PROMPTLY TO VENTLINE AFTER HAVING SERVED THE PURPOSE FOR WHICH DELIVERED.
 ©1995 VENTLINE DIVISION, TRAVCO INDUSTRIES, INC.
 All Rights Reserved, including the right to reproduce this document or any part thereof.

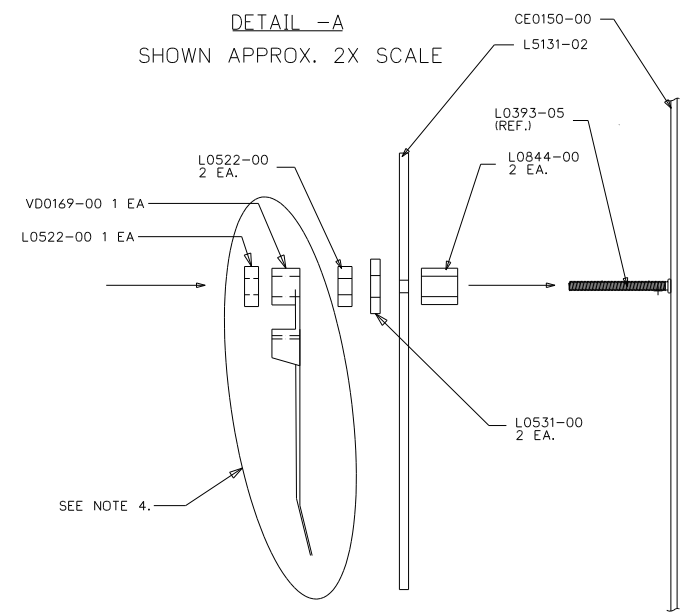
LA1075-00
 PAGE 2 OF 2

| LTR. | DESCRIPTION | DATE | CHK. BY | CHK. BY |
|------|---------------------------------------|-----------|---------|---------|
| REL | RELEASED TO PURCHASING AND PRODUCTION | 12/3/03 | MP/MP | MP/MP |
| | ECN 16261 | | | |
| A | ADDED LABEL DETAIL | ECN 16381 | 4-6-04 | R.L. |
| B | L5131-02 WAS L5118-02 | ECN 16394 | 4-21-04 | R.L. |

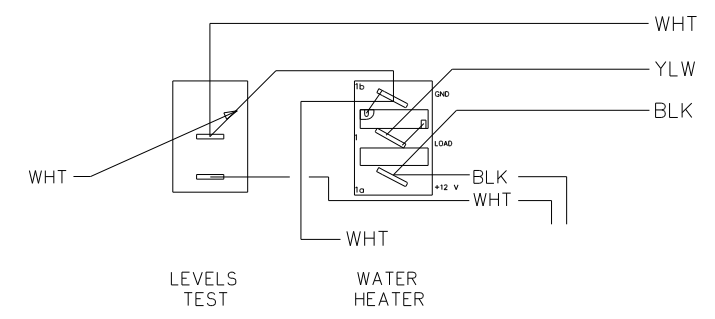


VENTLINE WIRING ← → CUSTOMER WIRING

DETAIL -A
 SHOWN APPROX. 2X SCALE



DETAIL -B
 SHOWN APPROX. 2X SCALE



LA1075-00
 FOR USE WITH
 NON-CONTACT
 SENSORS
 (MFG DATE)

PRODUCT LABEL
 PRINTING DETAIL
 NO SCALE

- NOTES:
- UNLESS OTHERWISE SPECIFIED ALL WIRE IS 22 AWG.
 - REF. DWG.'S:
 HARNESS, INTERNAL & SWITCH= L7785-01, -02
 HARNESS, GEN. INTERNAL & SWITCH= L7786-00
 PCB= L5131-02
 HARNESS, TEST= L8012-00
 TEST BOX= L8506-00
 - ALL PIGTAILS TO BE SUPPLIED BY CUSTOMER.
 - BEFORE PACKING, SECURE HARNESS WITH V00169-00 TIE WRAP ON RIGHT SIDE POST.

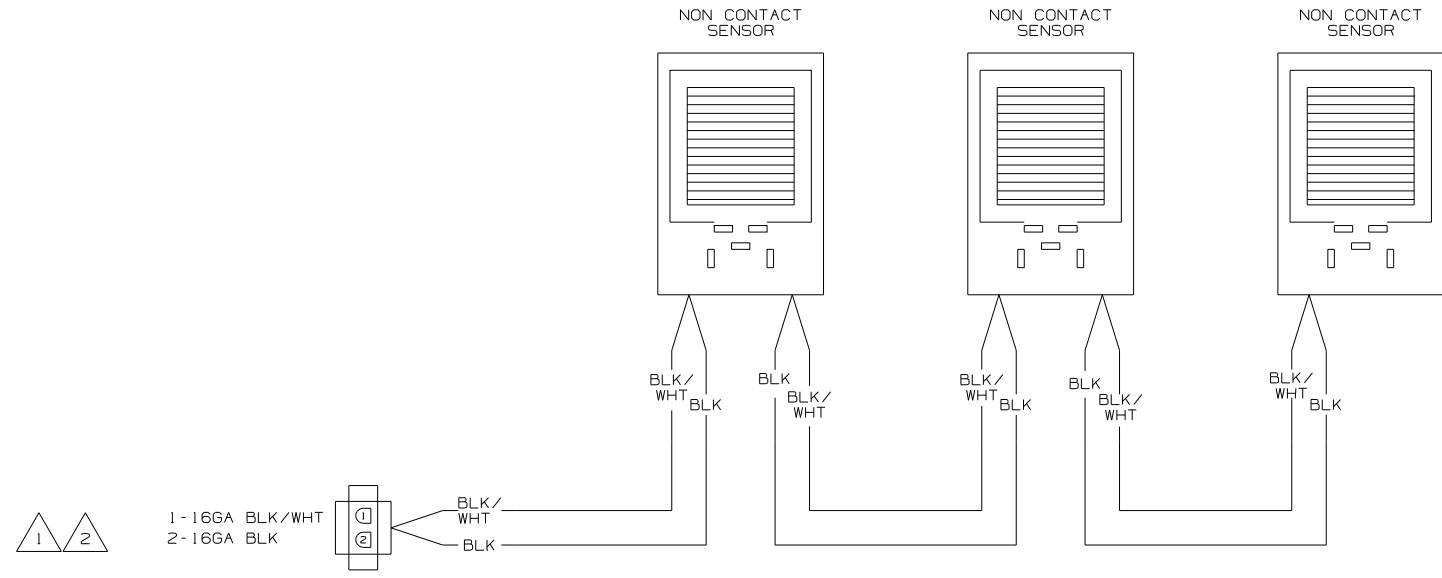
| PART NO. | QTY | MATERIAL | DESCRIPTION | DWG SIZE |
|-----------|-----|----------|-----------------------------------|----------|
| V00169-00 | 1 | | TIE WRAP | |
| L7752-00 | 1 | | HARNESS, INTERNAL & SWITCH | |
| L7832-00 | 1 | | HARNESS, GENERATOR | |
| L5131-02 | 1 | | PCB | |
| L0531-00 | 2 | | FIBER WASHER | |
| L0522-00 | 3 | | HEX NUT, 4-32 | |
| L0451-00 | 1 | | LABEL | |
| L0844-00 | 2 | | PCB SPACER | |
| L0115-00 | 1 | | SWITCH, SPDT ON-ON, BLK | |
| L0112-00 | 1 | | SWITCH, SPDT IONI-OFF-IONI, BLK | |
| L0111-00 | 1 | | SWITCH, SPST MOM. IONI-OFF, BLK | |
| L0109-00 | 1 | | SWITCH, SPST ON-OFF, BLK, GRN LT. | |
| CE0150-00 | 1 | | SILKSCREENED CHASSIS | |

| BLANK SIZE | DATE | MATERIAL | USED ON | WINNEBAGO |
|------------|----------|----------|---------|-----------|
| MPR | 11/21/03 | SEE BOM | | |
| CHECKED | DATE | NAME | | |
| MPR | 11/21/03 | | | |
| APPV'D | DATE | | | |

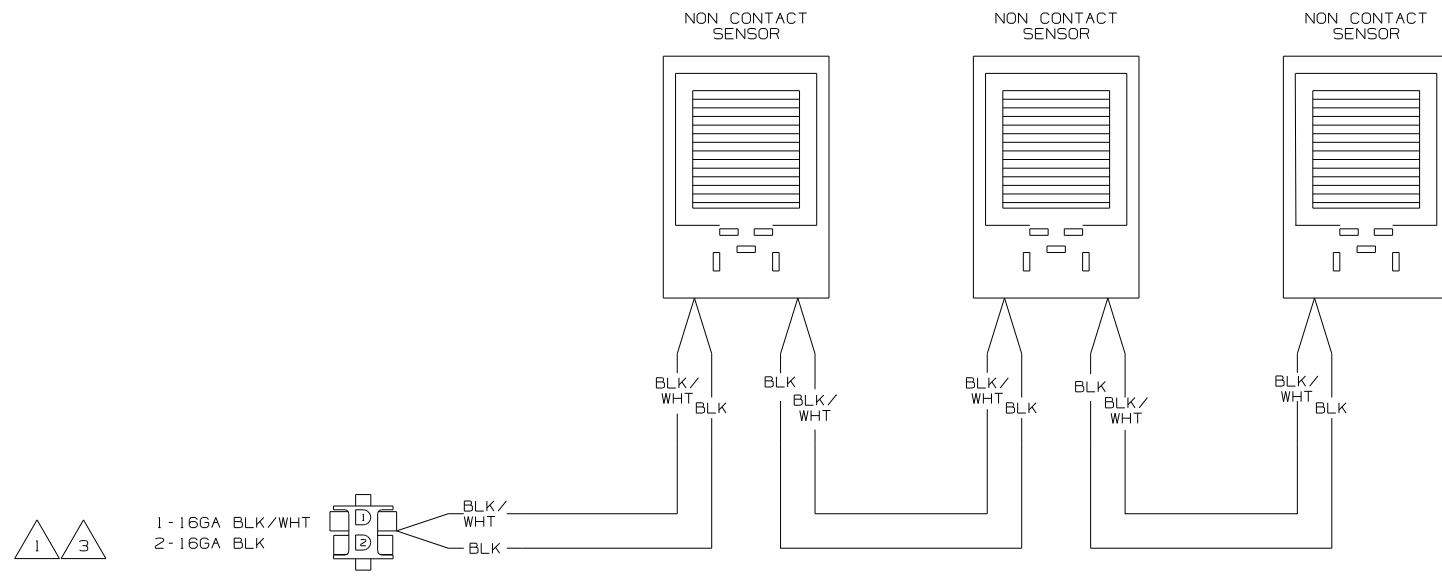
ENGLISH TOLERANCE UNLESS SPECIFIED)
 0 PL.: .040 1 PL.: .030
 2 PL.: .010 3 PL.: .005
 FRACTIONS ±1/64

FUNCTION DRAWING,
 MONITOR PANEL
 LA1075-00

| | |
|------------|----------------------|
| FIRST USED | 06 500 SERIES |
| TITLE: | DO NOT SCALE DRAWING |
| | PANEL - MONITOR |
| SHEET 12 | PART NO 134940 |



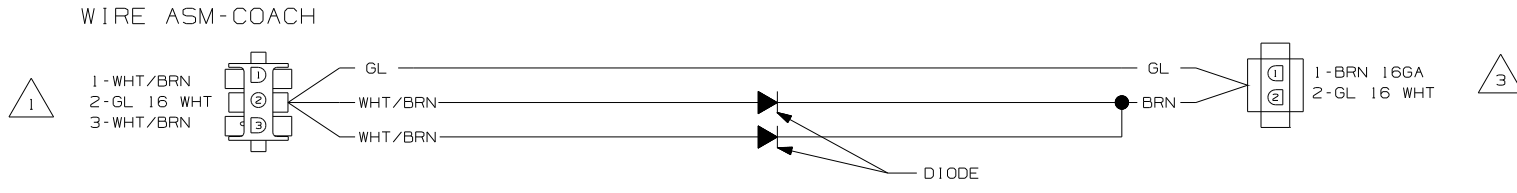
WIRING DIAGRAM-TANK, WATER
OR
WIRING DIAGRAM-TANK, MAIN
(WIRE ASM-151316 REV A)



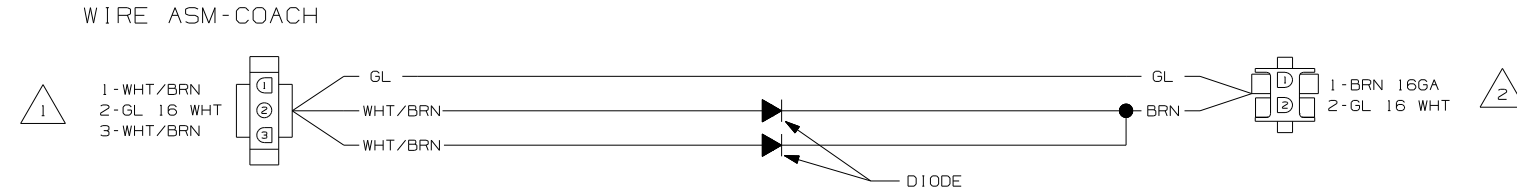
WIRING DIAGRAM-AUX HOLDING
(WIRE ASM-151317 REV A)

- NOTES:
- 3 IF TWO MONITOR PANELS ARE UTILIZED THIS WIRE ASM CONNECTS TO WIRE ASM-TANK,DIODE PACK 151808-01 SHT2.
 - 2 IF TWO MONITOR PANELS ARE UTILIZED THIS WIRE ASM CONNECTS TO WIRE ASM-TANK,DIODE PACK 151808-02 SHT2.
 - 1 IF ONLY ONE MONITOR PANEL IS USED SEE WIRING DIAGRAM-BODY FOR ADDITIONAL INFORMATION.

| | | | |
|--|------------|---|---------|
| WINNEBAGO | | COPYRIGHT 2004 WINNEBAGO INDUSTRIES, INC. | |
| DFTR | ORIG. DATE | ALL DIMENSIONS ARE IN MILLIMETERS | |
| CHKR | | FIRST USED | |
| P.E. | | 05 MOTOR HOMES | |
| M.E. | | UNSPECIFIED TOLERANCES ARE: | |
| DSNR | | WHOLE DIM (X) | : ± |
| | | ONE-PLACE (X.X) | : ±0.1 |
| | | TWO-PLACE (X.XX) | : ±0.05 |
| | | ANGLE | : ±0.5 |
| | | THIRD ANGLE PROJECTION | : |
| DO NOT SCALE DRAWING | | | |
| TITLE: WIRING DIAGRAM-HOLDING TANKS | | | |
| SHEET 1 OF 2 | PART NO | 152594 | |
| REF: NONE | | 1 9/8/2004 | |



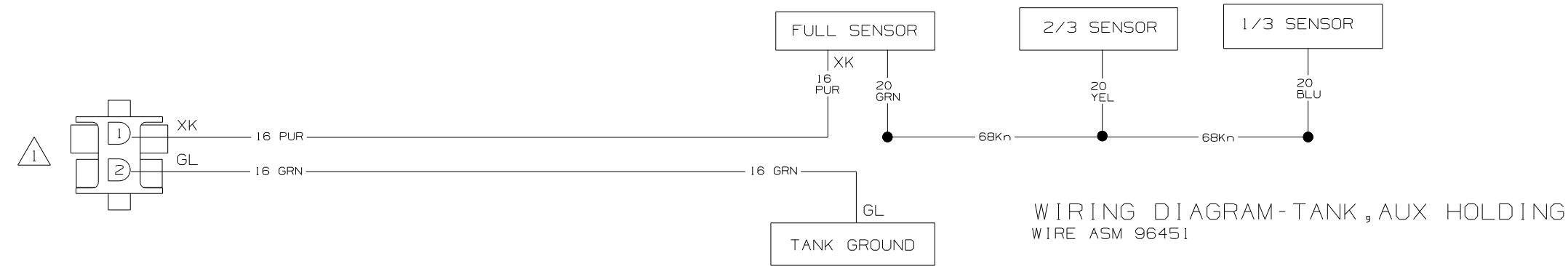
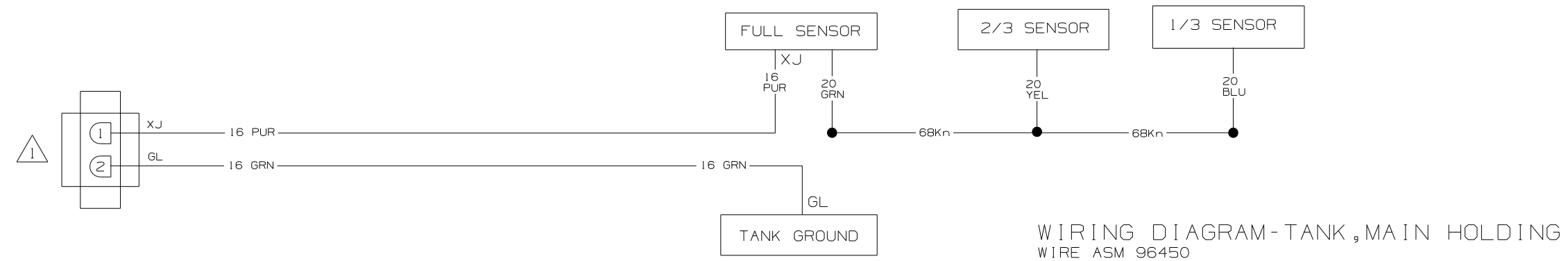
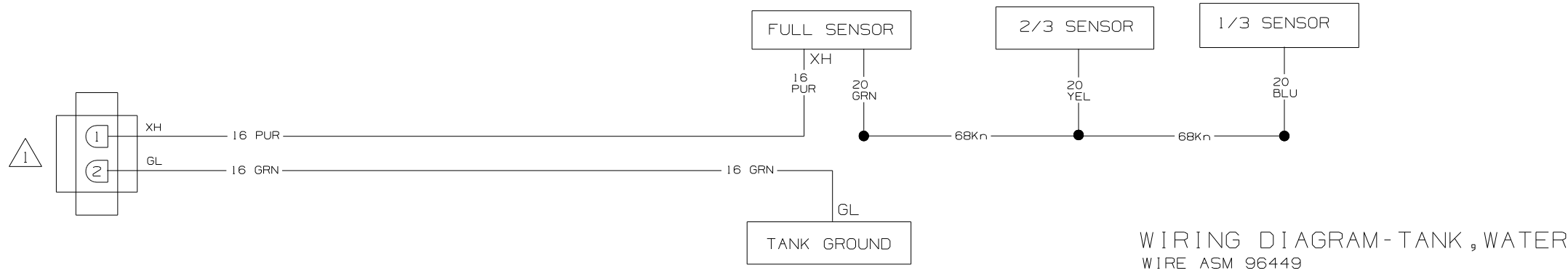
WIRING DIAGRAM-TANK,DIODE PACK
151808-01-000 REV A



WIRING DIAGRAM-TANK,DIODE PACK
151808-02-000 REV A

- NOTES:
- 3 CONNECT TO WIRE ASM-TANK,AUX. SEE SHT 1.
 - 2 CONNECT WIRE ASM-TANK,WATER OR MAIN. SEE SHT 1.
 - 1 SEE WIRING DIAGRAM-BODY FOR ADDITIONAL INFORMATION.

| | |
|------------------------------|----------------|
| FIRST USED | |
| 05 MOTOR HOMES | |
| DO NOT SCALE DRAWING | |
| TITLE: | |
| WIRING DIAGRAM-HOLDING TANKS | |
| SHEET 2 | PART NO 152594 |



WINNEBAGO COPYRIGHT 2004 WINNEBAGO INDUSTRIES, INC.

| | |
|------|-----------------------------------|
| DFT | ORIG. DATE |
| CHKR | ALL DIMENSIONS ARE IN MILLIMETERS |
| P.E. | |
| M.E. | FIRST USED |
| DSNR | 03 SERIES |

UNSPECIFIED TOLERANCES ARE: MATERIAL:

| | |
|------------------|---|
| WHOLE DIM (X) | : |
| ONE-PLACE (X.X) | : |
| TWO-PLACE (X.XX) | : |
| ANGLE | : |

THIRD ANGLE PROJECTION

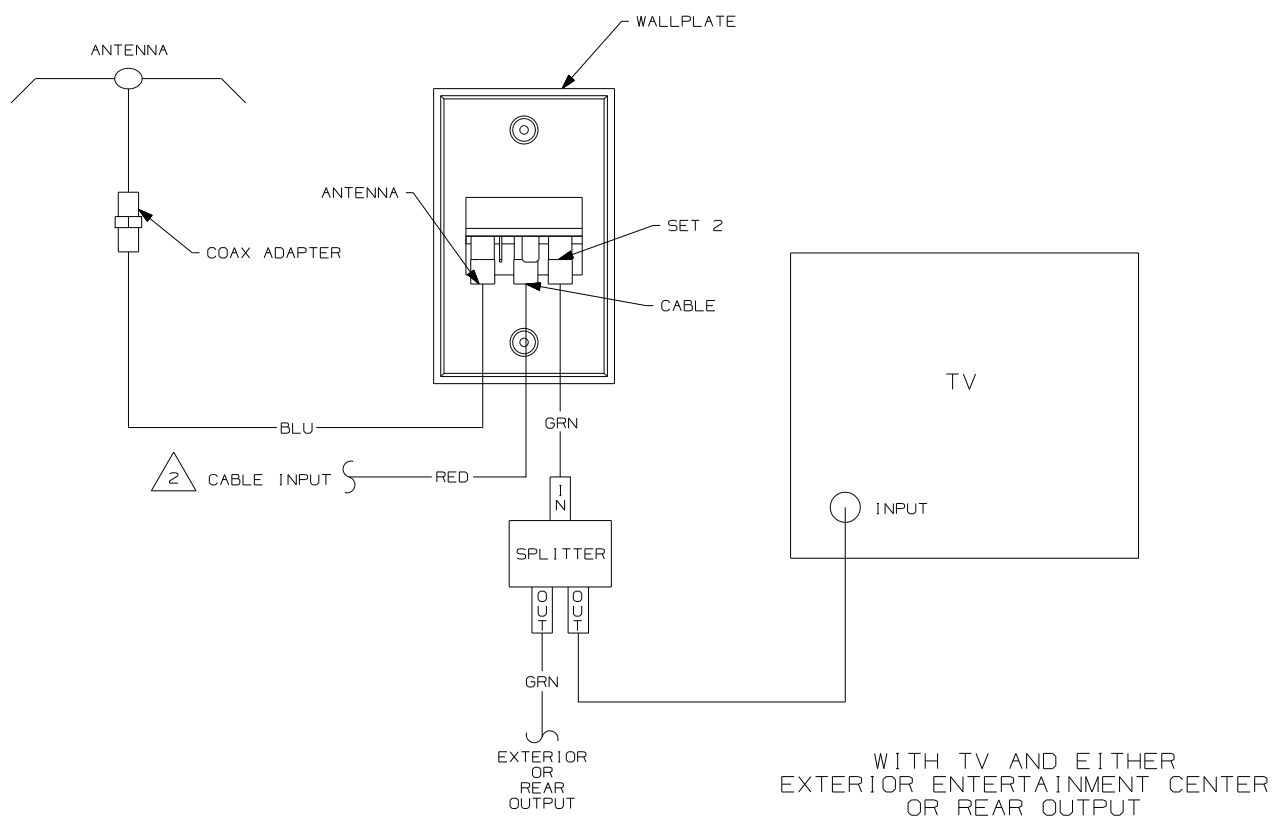
DO NOT SCALE DRAWING

TITLE: WIRING DIAGRAM-HOLDING TANKS

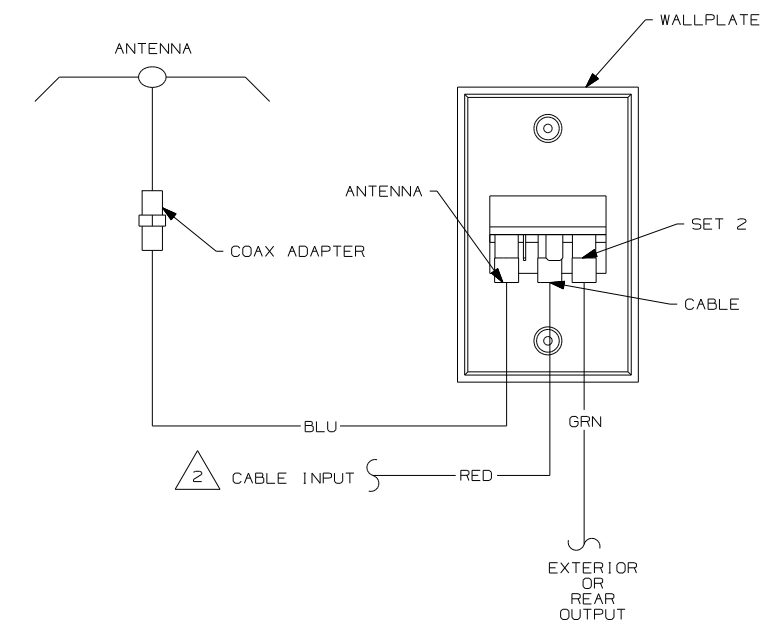
SHEET 1 OF 1 PART NO 110664

REF: 1 07/08/2004

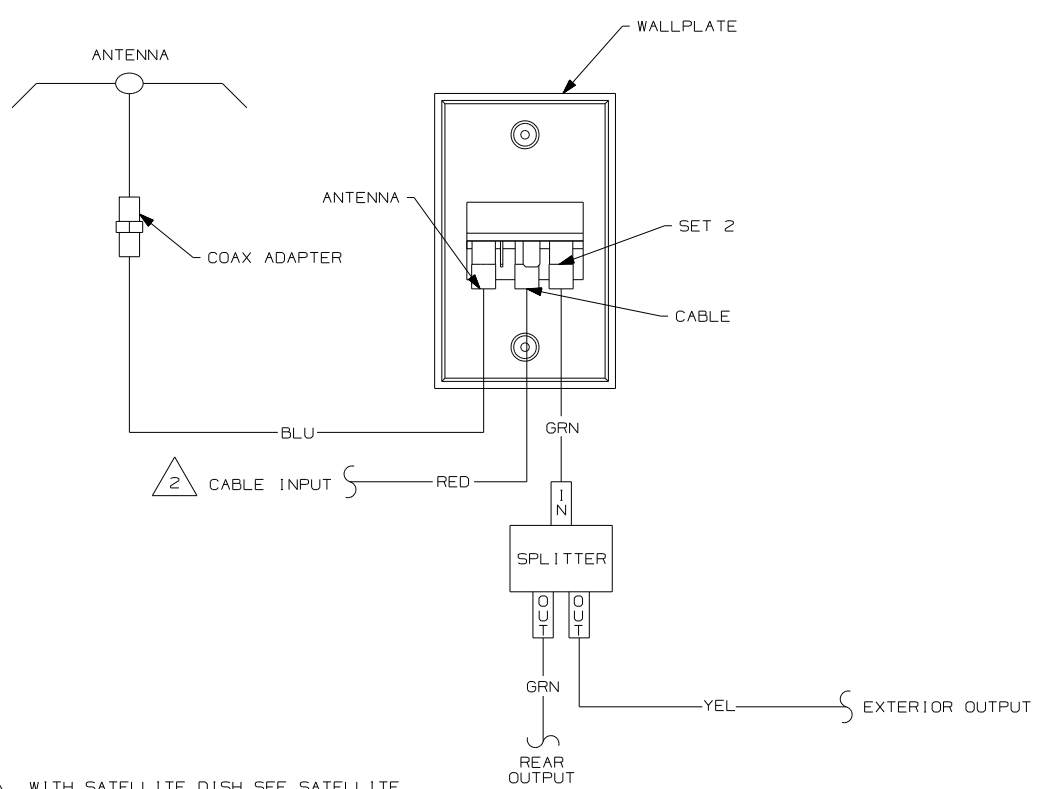
NOTES: SEE WIRING DIAGRAM-BODY FOR ADDITIONAL INFORMATION.



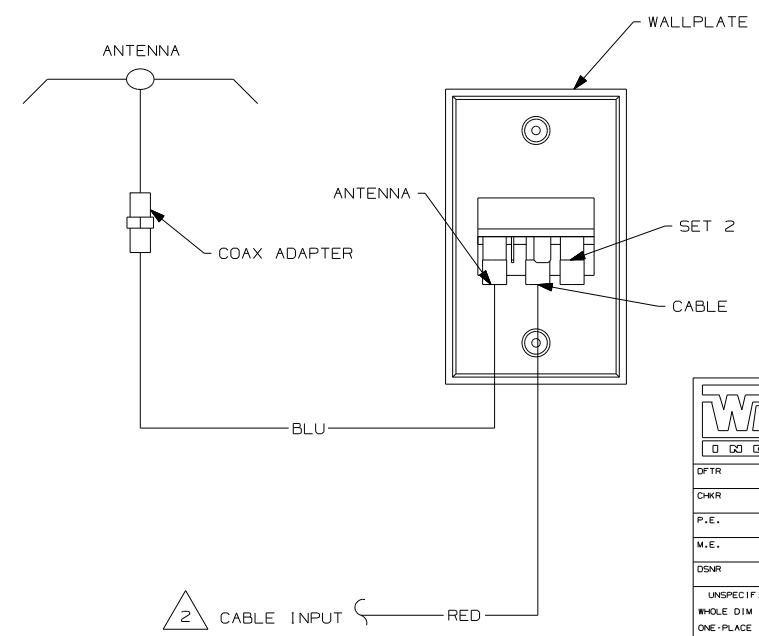
WITH TV AND EITHER EXTERIOR ENTERTAINMENT CENTER OR REAR OUTPUT



WITH EITHER EXTERIOR ENTERTAINMENT CENTER OR REAR OUTPUT



WITH EXTERIOR ENTERTAINMENT CENTER AND REAR OUTPUT



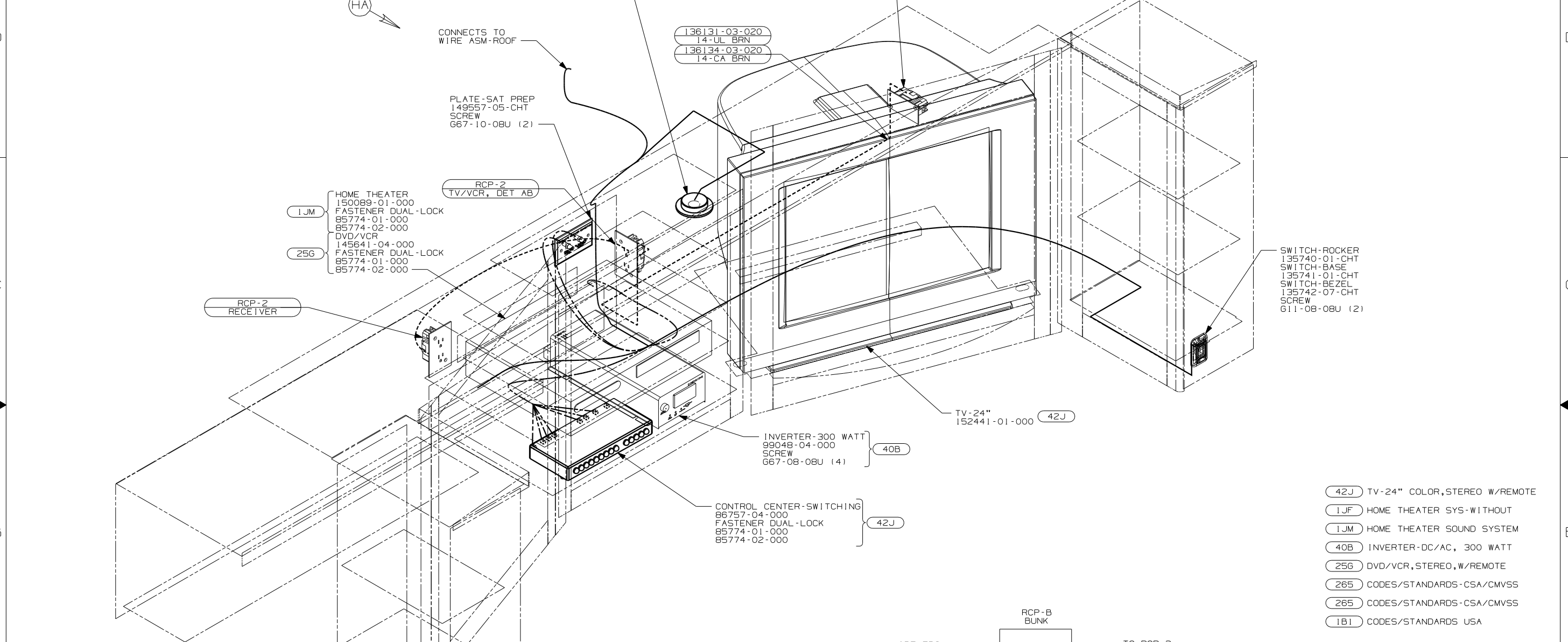
WITHOUT EITHER EXTERIOR ENTERTAINMENT CENTER OR REAR OUTPUT

NOTES:
 2 WITH SATELLITE DISH SEE SATELLITE DISH VIEW SHT 2 BOTTOM LEFT.
 1 COLOR INDICATES IDENTIFICATION TAPE.

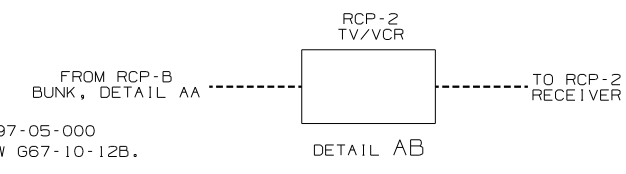
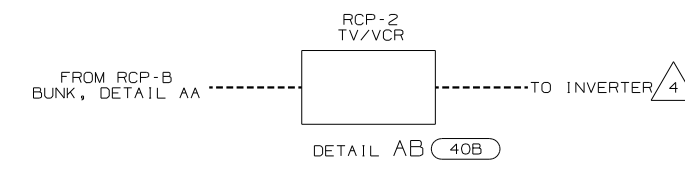
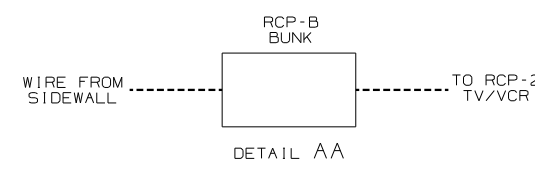
| | | | |
|-------------------------------|------------|---|---|
| WINNEBAGO | | COPYRIGHT 2004 WINNEBAGO INDUSTRIES, INC. | |
| DFTR | ORIG. DATE | ALL DIMENSIONS ARE IN MILLIMETERS | |
| CHKR | | FIRST USED | |
| P.E. | | 93 MOTORHAMES | |
| M.E. | | UNSPECIFIED TOLERANCES ARE: | |
| DSNR | | MATERIAL: | |
| | | WHOLE DIM (X) | : |
| | | ONE-PLACE (X.X) | : |
| | | TWO-PLACE (X.XX) | : |
| | | ANGLE | : |
| | | THIRD ANGLE PROJECTION | |
| DO NOT SCALE DRAWING | | | |
| TITLE: WIRING DIAGRAM-TV COAX | | | |
| SHEET 1 OF 2 | PART NO | 110138 | |
| REF: | | 1 07/08/2004 | |

| DRAWING NO. | MODEL | SHT |
|-------------|---------|---------|
| 148527-01 | 300 SER | 1,8,9 |
| 148527-02 | 400 SER | 2,3,4,5 |
| 148527-03 | 700 SER | 6,7 |

| | | |
|----------|-----------------|--------|
| RELEASE | REV/DATE | DWG NO |
| | A | 148527 |
| REV ZONE | REVISION RECORD | DATE |
| | | |



- (42J) TV-24" COLOR, STEREO W/REMOTE
- (1JM) HOME THEATER SYS-WITHOUT
- (1JM) HOME THEATER SOUND SYSTEM
- (40B) INVERTER-DC/AC, 300 WATT
- (25G) DVD/VCR, STEREO, W/REMOTE
- (265) CODES/STANDARDS-CSA/CMVSS
- (265) CODES/STANDARDS-CSA/CMVSS
- (1B1) CODES/STANDARDS USA



5. ALL WIRES TO BE SECURED WITH CLAMP 10495-01-000 OR CLIP 80734-01-000 EVERY 600mm. USE SCREW G67-10-12B UNLESS OTHERWISE SPECIFIED. CONNECT INVERTER TO RCP-2 TV/VCR WITH FEATURE (40B).

3. SEE SHT 8 FOR COAX DETAILS.

2. SEE SHT 8 FOR 110V AND 12V DETAILS.

1. SEE WIRING INSTL-BODY, 12V & 110V FOR ADDITIONAL INFORMATION.

6. 110V WIRE TO BE CLAMPED WITH CLAMP 10497-05-000 WITHIN 200mm OF OUTLET BOXES. USE SCREW G67-10-12B.

300 SERIES

FOR ELECTRICAL CALLOUTS SEE DWG NO. 121339-01-000

WINNEBAGO COPYRIGHT 2004 WINNEBAGO INDUSTRIES, INC.

| | |
|------|-----------------------------------|
| DFT | ORIG. DATE |
| CHKR | ALL DIMENSIONS ARE IN MILLIMETERS |
| P.E. | |
| M.E. | FIRST USED |
| DSNR | 300/400/700 SER |

UNSPECIFIED TOLERANCES ARE: MATERIAL:

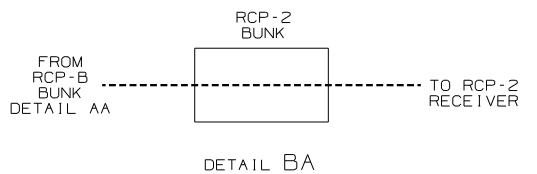
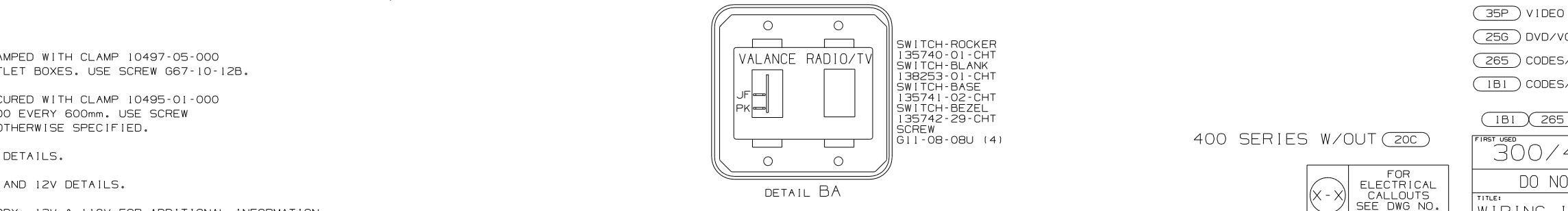
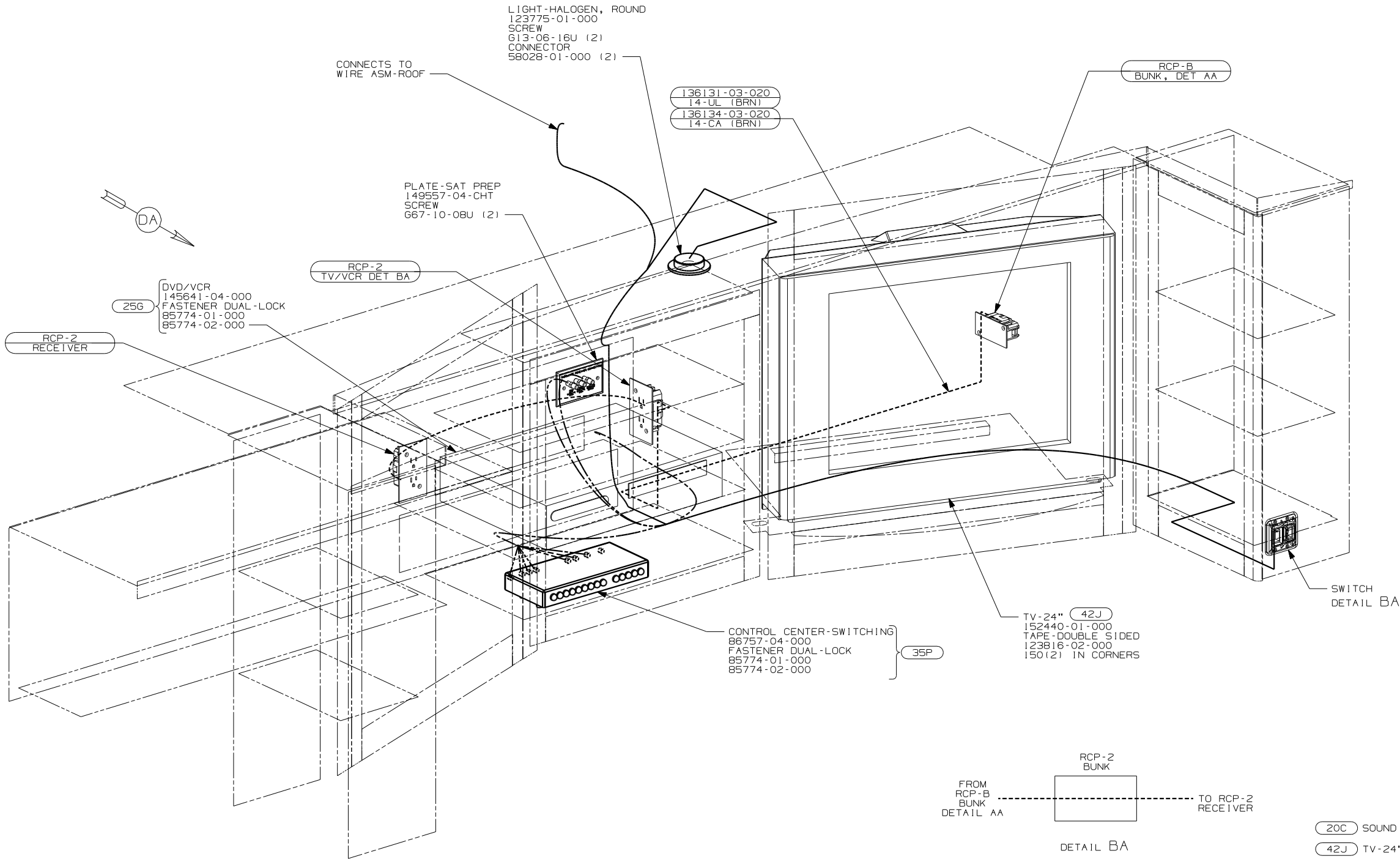
WHOLE DIM (X) :
ONE-PLACE (X.X) :
TWO-PLACE (X.XX) :
ANGLE :

THIRD ANGLE PROJECTION

DO NOT SCALE DRAWING

TITLE: WIRING INSTL-TV/VCR, FRONT

SHEET 1 OF 7 PART NO 148527



5. 110V WIRE TO BE CLAMPED WITH CLAMP 10497-05-000 WITHIN 200mm OF OUTLET BOXES. USE SCREW 667-10-12B.
4. ALL WIRES TO BE SECURED WITH CLAMP 10495-01-000 OR CLIP 80734-01-000 EVERY 600mm. USE SCREW 667-10-12B UNLESS OTHERWISE SPECIFIED.
3. SEE SHT 4 FOR COAX DETAILS.
2. SEE SHT 4 FOR 110V AND 12V DETAILS.
1. SEE WIRING INSTL-BODY, 12V & 110V FOR ADDITIONAL INFORMATION.

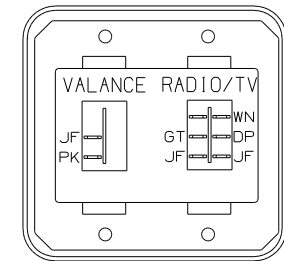
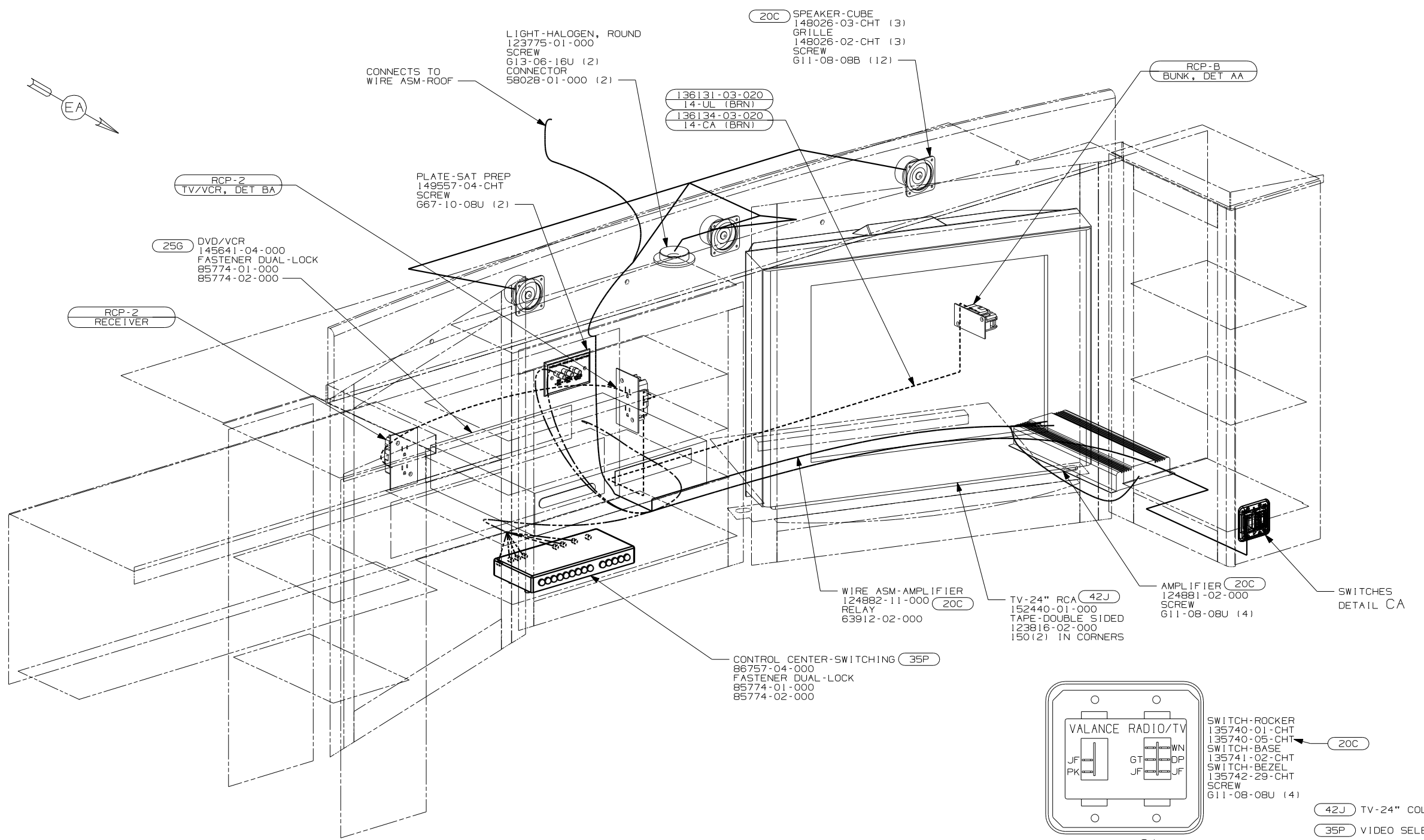
NOTES:

- (20C) SOUND SYS. DLX. W/O-SURROUND
- (42J) TV-24" COLOR, STEREO W/REMOTE
- (35P) VIDEO SELECTION SYSTEM
- (25G) DVD/VCR, STEREO, W/REMOTE
- (265) CODES/STANDARDS-CSA/CMVSS
- (1B1) CODES/STANDARDS USA

| | |
|----------------------------|----------------|
| FIRST USED | |
| 300/400/700 SER | |
| DO NOT SCALE DRAWING | |
| TITLE: | |
| WIRING INSTL-TV/VCR, FRONT | |
| SHEET 2 | PART NO 148527 |

FOR ELECTRICAL CALLOUTS SEE DWG NO. 121339-01-000

400 SERIES W/OUT (20C)



SWITCH-ROCKER
135740-01-CHT
135740-05-CHT
SWITCH-BASE
135741-02-CHT
SWITCH-BEZEL
135742-29-CHT
SCREW
611-08-08U (4)

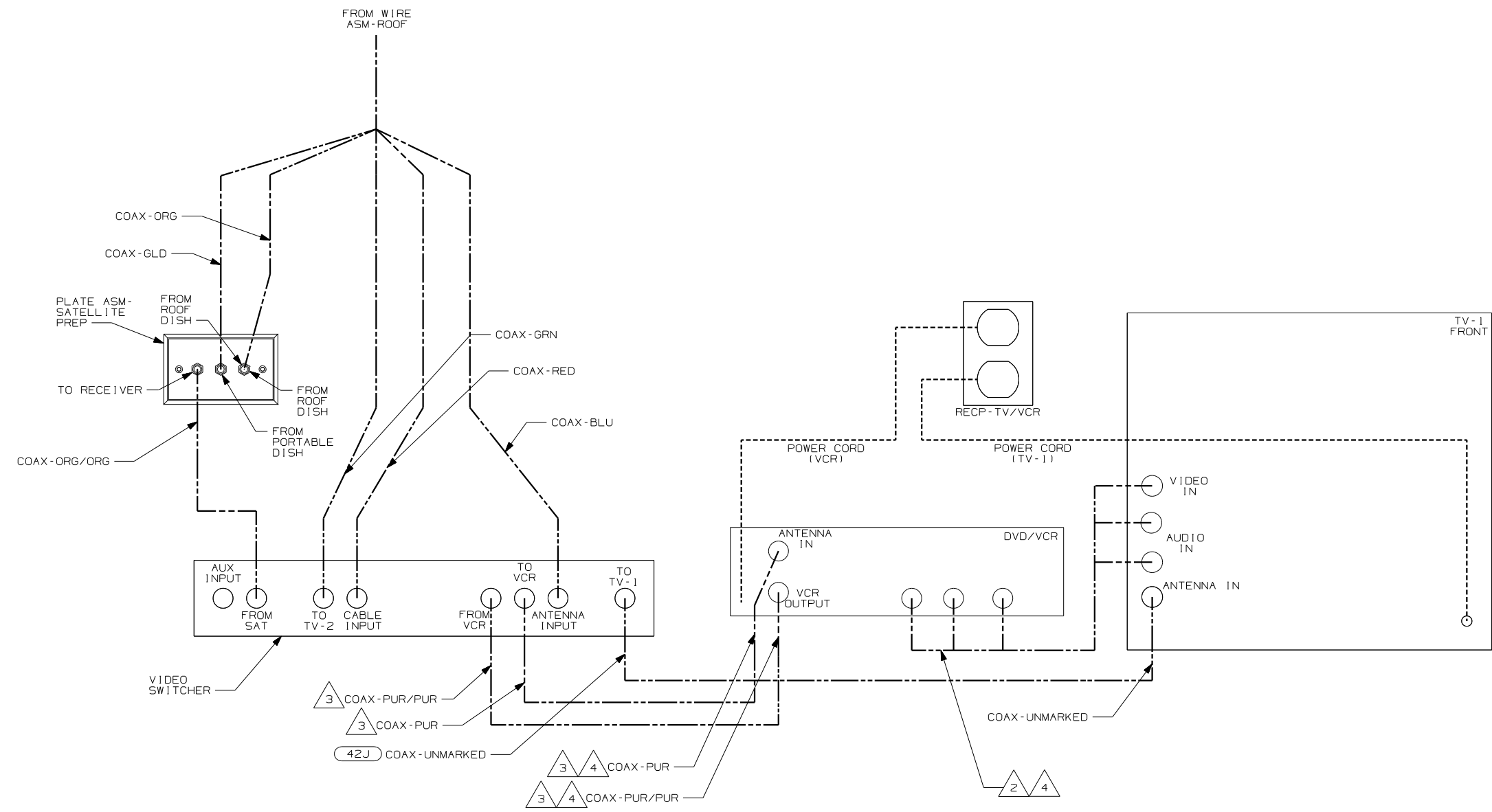
- 42J TV-24" COLOR, STEREO W/REMOTE
- 35P VIDEO SELECTION SYSTEM
- 25G DVD/VCR, STEREO, W/REMOTE
- 20C SOUND SYS. DLX. W/O-SURROUND
- 265 CODES/STANDARDS-CSA/CMVSS
- 1B1 CODES/STANDARDS USA

400 SERIES 20C

FOR ELECTRICAL CALLOUTS SEE DWG NO. 121339-01-000

- NOTES:
5. 110V WIRE TO BE CLAMPED WITH CLAMP 10497-05-000 WITHIN 200mm OF OUTLET BOXES. USE SCREW 667-10-12B.
 4. ALL WIRES TO BE SECURED WITH CLAMP 10495-01-000 OR CLIP 80734-01-000 EVERY 600mm. USE SCREW 667-10-12B UNLESS OTHERWISE SPECIFIED.
 3. SEE SHT 5 FOR COAX DETAILS.
 2. SEE SHT 5 FOR 110V AND 12V DETAILS.
 1. SEE WIRING INSTL-BODY, 12V & 110V FOR ADDITIONAL INFORMATION.

| | |
|----------------------------|----------------|
| FIRST USED | |
| 300/400/700 SER | |
| DO NOT SCALE DRAWING | |
| TITLE: | |
| WIRING INSTL-TV/VCR, FRONT | |
| SHEET 3 | PART NO 148527 |



VIEW DA

5. ALL CONNECTIONS ARE SHOWN FROM BACKSIDE OF COMPONENTS.
4. CABLE IS ONLY USED WITH (25G). WITHOUT (25G) TAPE BACK TO HARNESS
3. CABLE IS FROM WIRE ASM-TV,FRONT.
2. SUPPLIED WITH DVD/VCR.

NOTES:

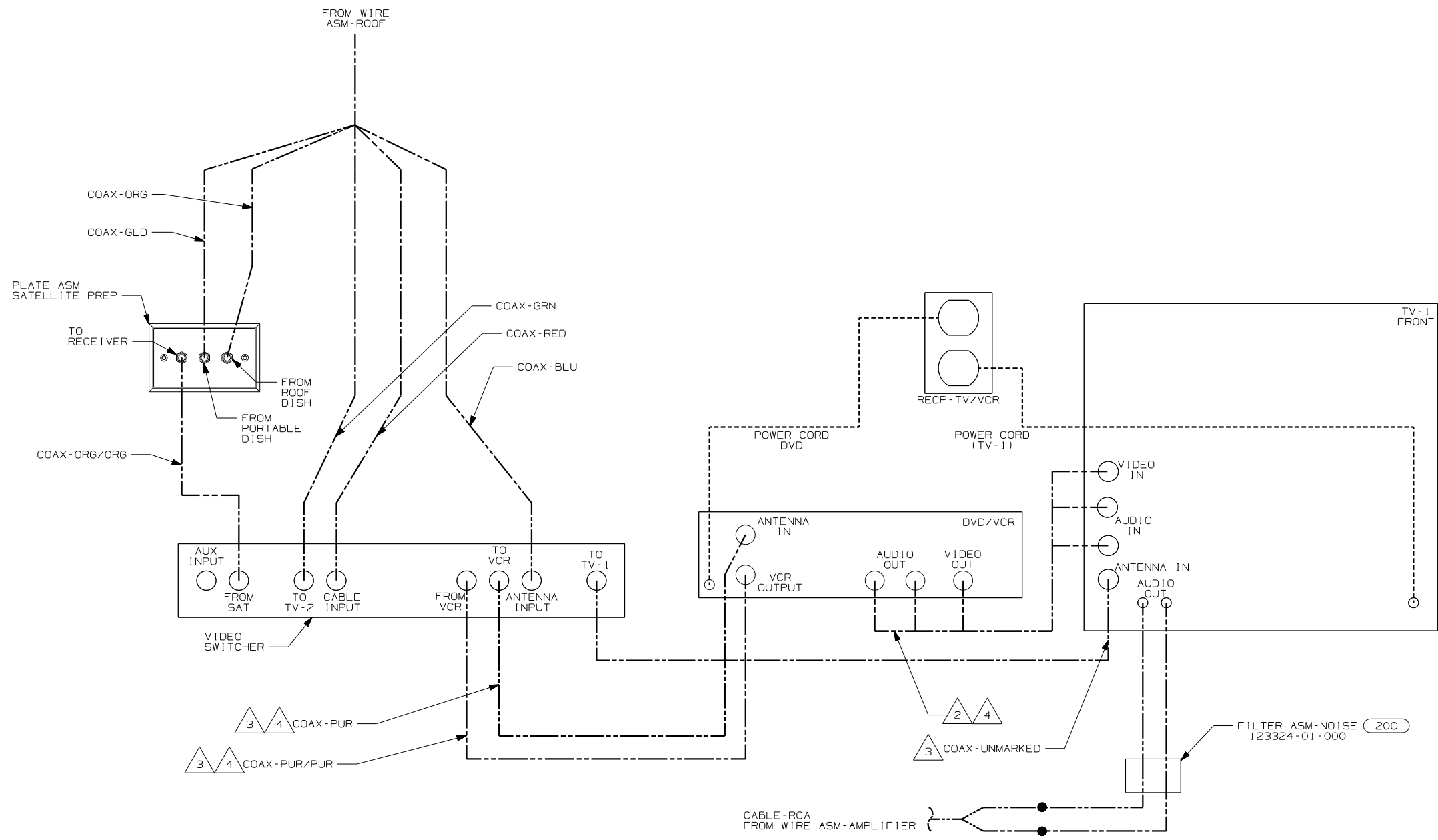
1. SEE WIRING INSTL-BODY, 12V FOR ADDITIONAL INFORMATION.

- (42J) TV-24" COLOR,STEREO W/REMOTE
- (40B) INVERTER-DC/AC, 300 WATT
- (35P) VIDEO SELECTION SYSTEM
- (25G) DVD/VCR,STEREO,W/REMOTE
- (265) CODES/STANDARDS-CSA/CMVSS
- (193) ANTENNA-TV, AMPLIFIED
- (1B1) CODES/STANDARDS-USA

| | | | |
|---------------------------|----------------|-------|-------|
| (1B1) | (265) | (42E) | (35P) |
| FIRST USED | | | |
| 300/400/700 SER | | | |
| DO NOT SCALE DRAWING | | | |
| TITLE: | | | |
| WIRING INSTL-TV/VCR,FRONT | | | |
| SHEET 4 | PART NO 148527 | | |

400 SERIES W/OUT (20C)

(X-X) FOR ELECTRICAL CALLOUTS SEE DWG NO. 121339-01-000



VIEW EA (20C)

5. ALL CONNECTIONS ARE SHOWN FROM BACKSIDE OF COMPONENTS.

- 4 CABLE IS ONLY USED WITH (25G). WITHOUT (25G) TAPE BACK TO HARNESS
- 3 CABLE IS FROM WIRE ASM-TV,FRONT.
- 2 SUPPLIED WITH DVD/VCR.

1. SEE WIRING INSLT-BODY, 12V FOR ADDITIONAL INFORMATION.

NOTES:

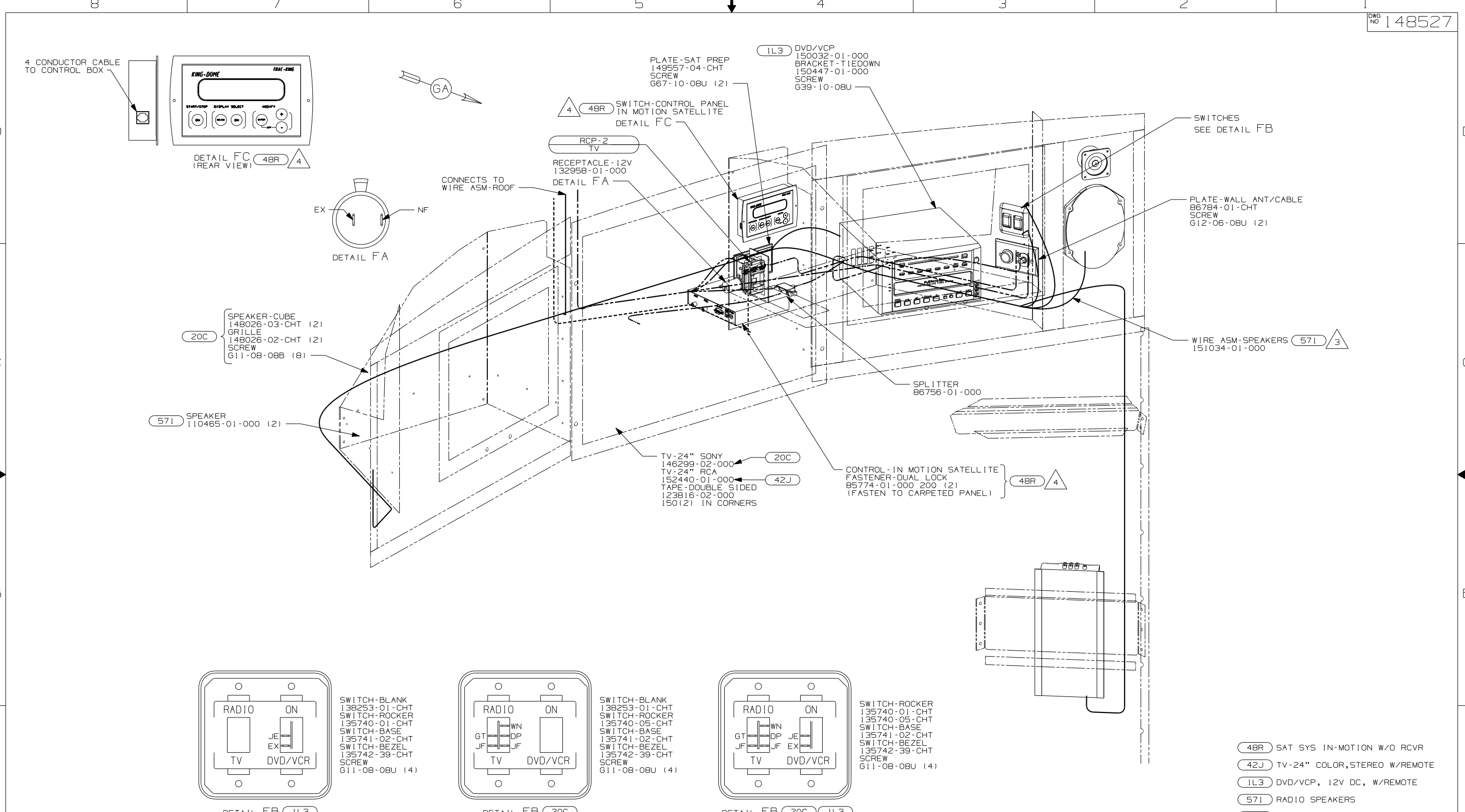
- (42J) TV-24" COLOR, STEREO W/REMOTE
- (25G) DVD/VCR, STEREO, W/REMOTE
- (20C) SOUND SYS. DLX. W/O-SURROUND
- (265) CODES/STANDARDS-CSA/CMVSS
- (193) ANTENNA-TV, AMPLIFIED
- (1B1) CODES/STANDARDS-USA

(1B1) (265) (20C)

400 SERIES WITH (20C)

(X-X) FOR ELECTRICAL CALLOUTS SEE DWG NO. 121339-01-000

| | |
|------------|---------------------------|
| FIRST USED | 300/400/700 SER |
| TITLE | DO NOT SCALE DRAWING |
| TITLE | WIRING INSTL-TV/VCR,FRONT |
| SHEET 5 | PART NO 148527 |

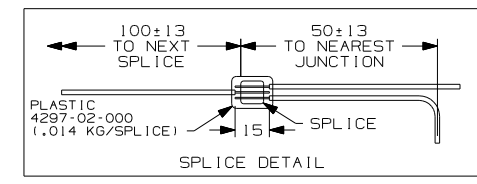


- 4 PARTS ARE SUPPLIED WITH SATELLITE KIT 154474-02-000.
- 3 NOT USED WITH (20C)
2. SEE SH7 FOR 110V, 12V AND COAX DETAIL.
1. SEE WIRING INSTL-BODY, 12 & 110V FOR ADDITIONAL INFORMATION.

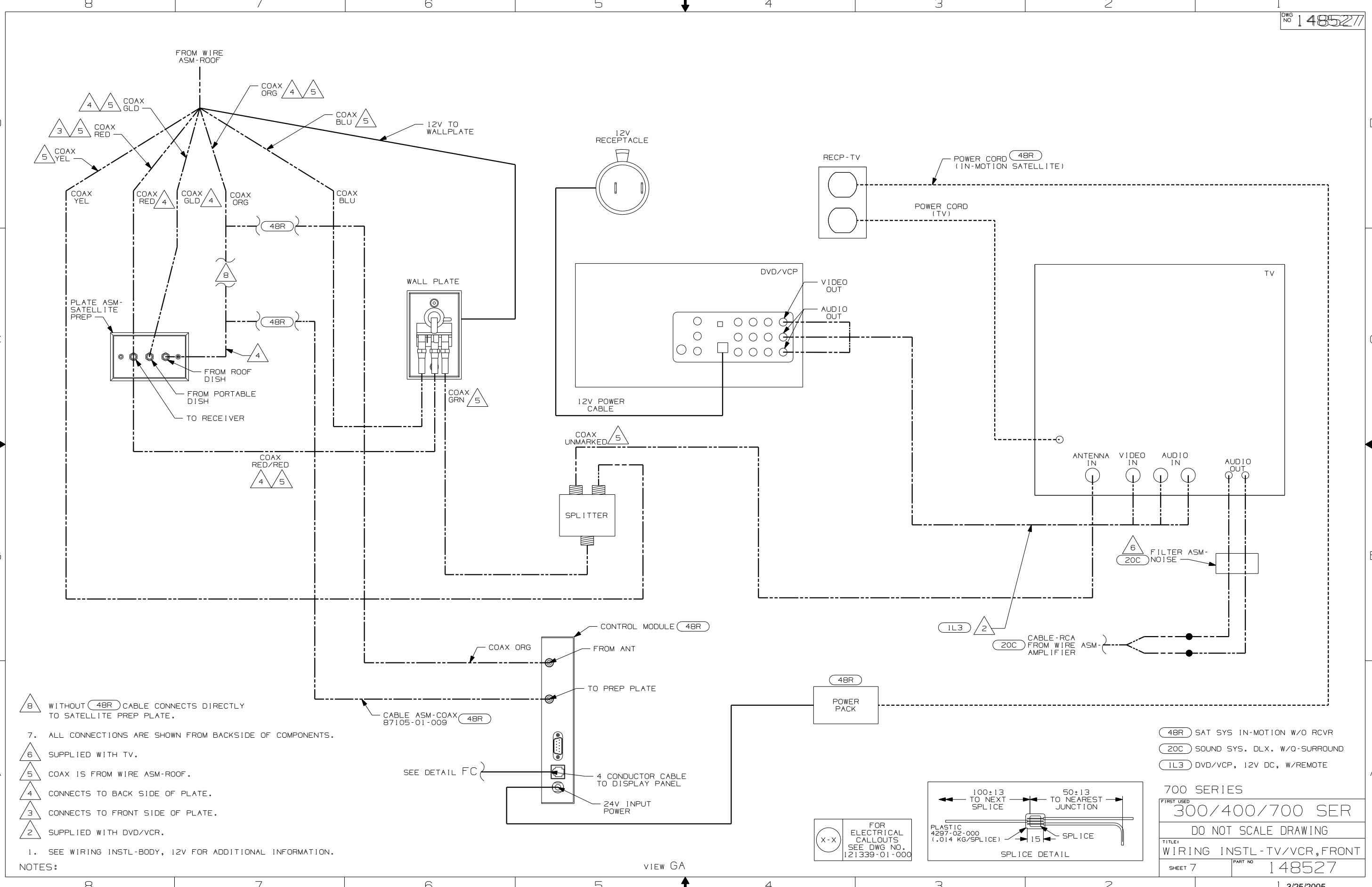
NOTES:

- 48R SAT SYS IN-MOTION W/O RCVR
- 42J TV-24" COLOR, STEREO W/REMOTE
- IL3 DVD/VCP, 12V DC, W/REMOTE
- 571 RADIO SPEAKERS
- 20C SOUND SYS. DLX. W/O-SURROUND 700 SERIES

FOR ELECTRICAL CALLOUTS SEE DWG NO. 121339-01-000



| | |
|-----------------------------------|-----------------|
| FIRST USED | 300/400/700 SER |
| DO NOT SCALE DRAWING | |
| TITLE: WIRING INSTL-TV/VCR, FRONT | |
| SHEET 6 | PART NO 148527 |

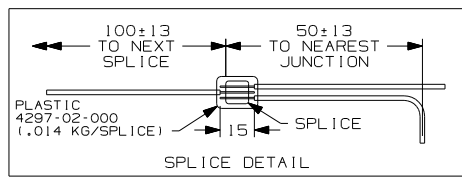


- 8 WITHOUT 48R CABLE CONNECTS DIRECTLY TO SATELLITE PREP PLATE.
- 7. ALL CONNECTIONS ARE SHOWN FROM BACKSIDE OF COMPONENTS.
- 6 SUPPLIED WITH TV.
- 5 COAX IS FROM WIRE ASM-ROOF.
- 4 CONNECTS TO BACK SIDE OF PLATE.
- 3 CONNECTS TO FRONT SIDE OF PLATE.
- 2 SUPPLIED WITH DVD/VCR.

NOTES:
1. SEE WIRING INSTL-BODY, 12V FOR ADDITIONAL INFORMATION.

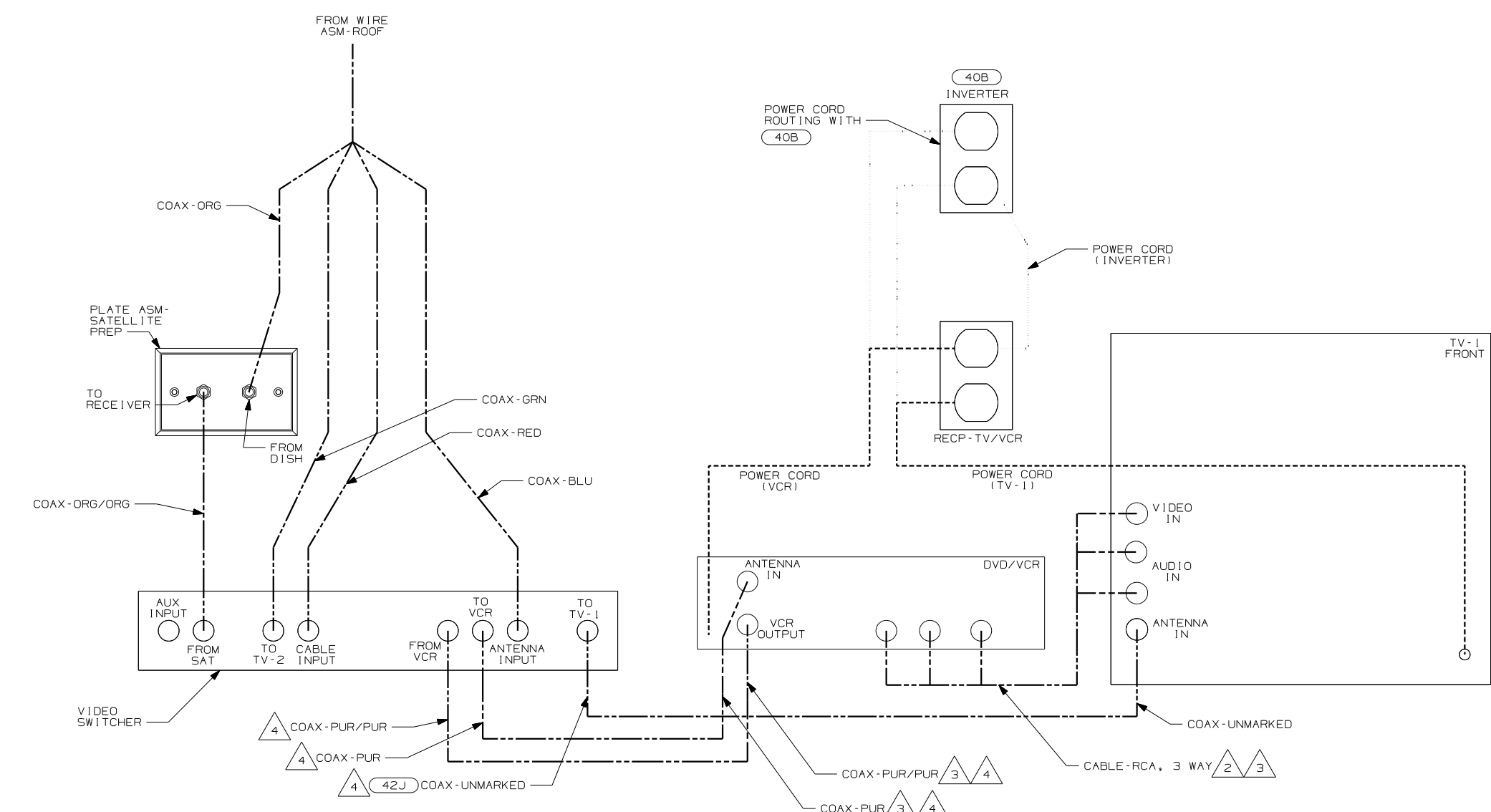
- 48R SAT SYS IN-MOTION W/O RCVR
- 20C SOUND SYS. DLX. W/O-SURROUND
- 1L3 DVD/VCP, 12V DC, W/REMOTE

| | |
|----------------------------|----------------|
| 700 SERIES | |
| FIRST USED | |
| 300/400/700 SER | |
| DO NOT SCALE DRAWING | |
| TITLE: | |
| WIRING INSTL-TV/VCR, FRONT | |
| SHEET 7 | PART NO 148527 |



FOR ELECTRICAL CALLOUTS SEE DWG NO. 121339-01-000

VIEW GA



DETAIL HA

5. ALL CONNECTIONS ARE SHOWN FROM BACKSIDE OF COMPONENTS.
- 4 COAX IS FROM WIRE ASM-TV, FRONT.
 - 3 CABLE IS ONLY USED WITH (25G). WITHOUT (25G) TAPE BACK TO HARNESS.
 - 2 SUPPLIED WITH DVD/VCR

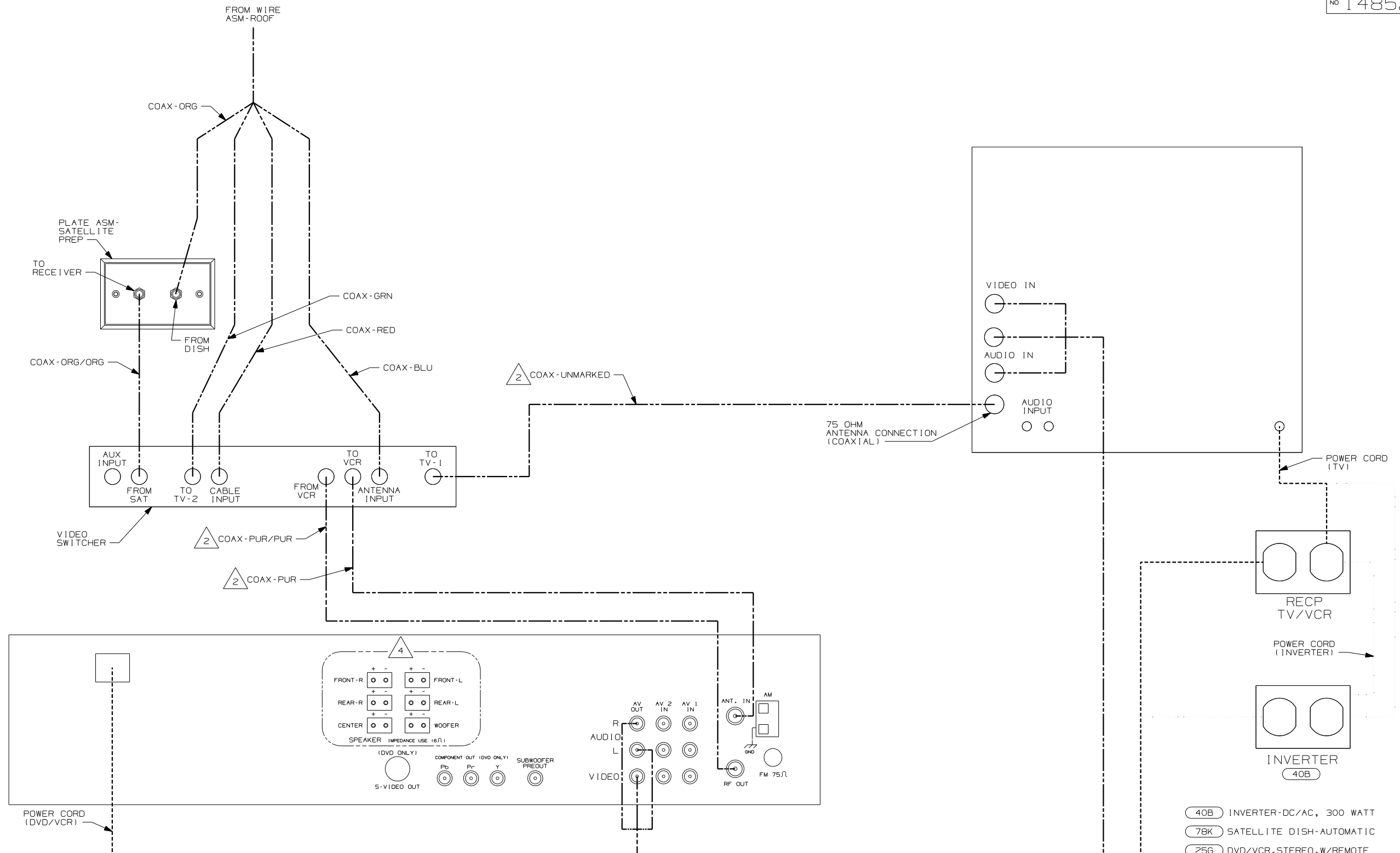
1. SEE WIRING INSTL-BODY, 12V FOR ADDITIONAL INFORMATION.

NOTES:

- (42J) TV-24" COLOR, STEREO W/REMOTE
- (40B) INVERTER-DC/AC, 300 WATT
- (35P) VIDEO SELECTION SYSTEM
- (25G) DVD/VCR, STEREO, W/REMOTE
- (265) CODES/STANDARDS-CSA/CMVSS
- (193) ANTENNA-TV, AMPLIFIED
- (1B1) CODES/STANDARDS-USA

| | |
|----------------------------|----------------|
| FIRST USED | |
| 300/400/700 SER | |
| DO NOT SCALE DRAWING | |
| TITLE: | |
| WIRING INSTL-TV/VCR, FRONT | |
| SHEET 8 | PART NO 148527 |

300 SERIES



- NOTES:**
- 4 CUT SUPPLIED SPEAKER WIRES TO A LENGTH OF 150MM AND CONNECT TO MATCHING CIRCUITS ON WIRE ASM-SIDE TV.
 - 3 CABLE IS SUPPLIED WITH DVD/VCR.
 - 2 COAX IS FROM WIRE ASM-TV,FRONT.
 - 1 CABLE ASM MARKED WITH COLORED TAPE.

5. ALL CONNECTIONS ARE SHOWN FROM BACKSIDE OF COMPONENTS.

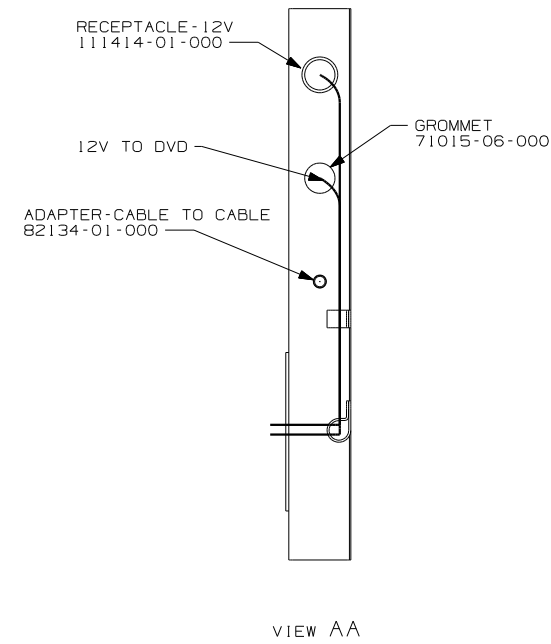
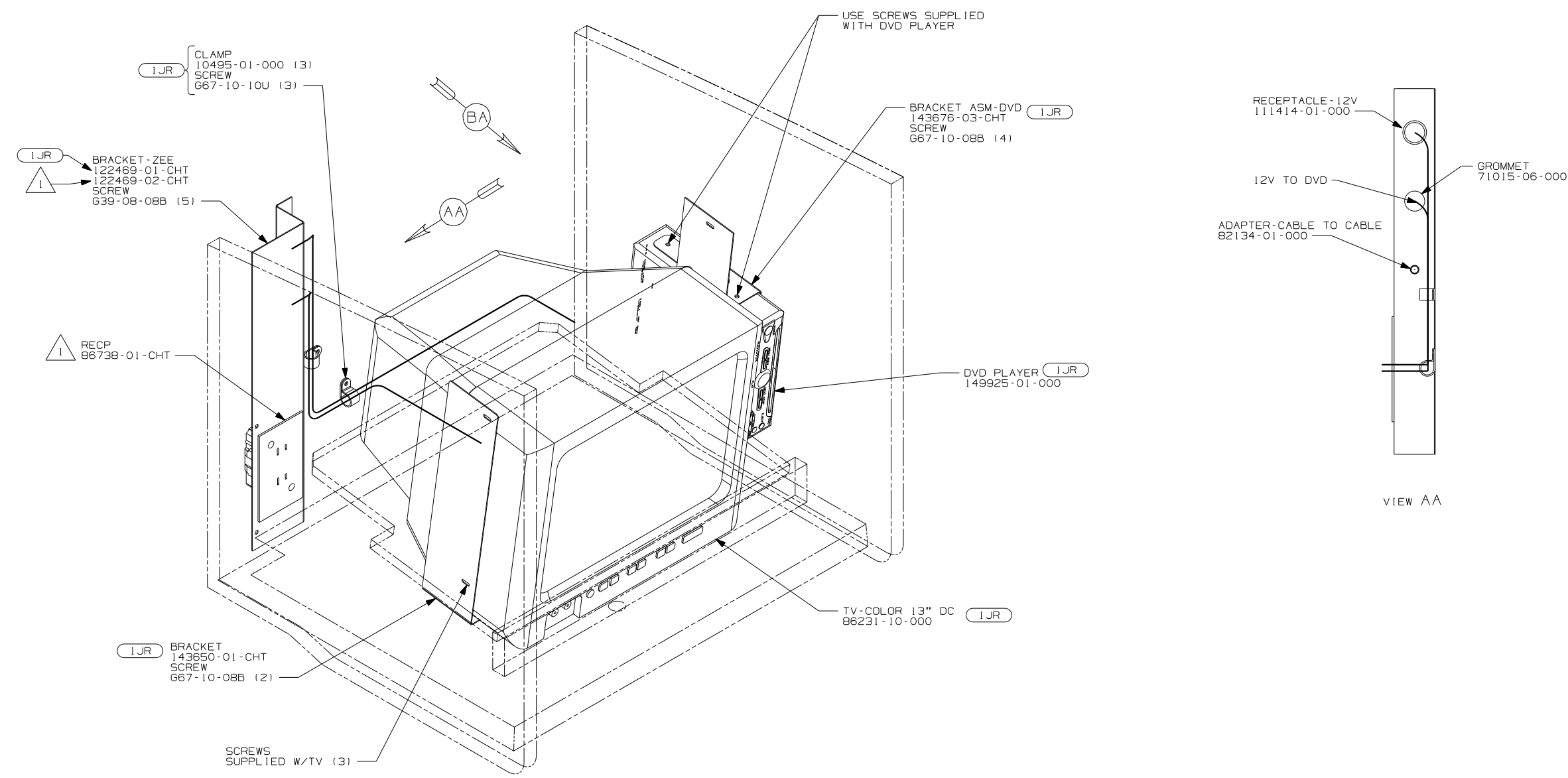
DETAIL JA 1JM

- 40B INVERTER-DC/AC, 300 WATT
- 78K SATELLITE DISH-AUTOMATIC
- 25G DVD/VCR,STEREO,W/REMOTE
- 1JM HOME THEATER SOUND SYSTEM

| | |
|---------------------------|----------------|
| FIRST USED | |
| 05 300 SERIES | |
| DO NOT SCALE DRAWING | |
| TITLE: | |
| WIRING INSTL-TV/VCR,FRONT | |
| SHEET 9 | PART NO 148527 |

| DRAWING NO. | SHEET |
|-------------|-------|
| 148534-01 | 1,2 |
| 148534-02 | 3,4,5 |
| 148534-03 | 6,7 |

| | | | |
|----------|-----------------|--------|----------|
| RELEASE | REV DATE | OWG NO | 148534 |
| REV ZONE | REVISION RECORD | DATE | DFT-0R16 |



- 110V WIRE TO BE CLAMPED WITH CLAMP 10497-05-000 WITHIN 200MM OF OUTLET BOXES, USE SCREW G67-10-12B.
- ALL WIRES TO BE SECURED WITH CLAMP 10495-01-000 OR CLIP 80734-01-000 EVERY 600MM. USE SCREW G67-10-12B UNLESS OTHERWISE SPECIFIED.

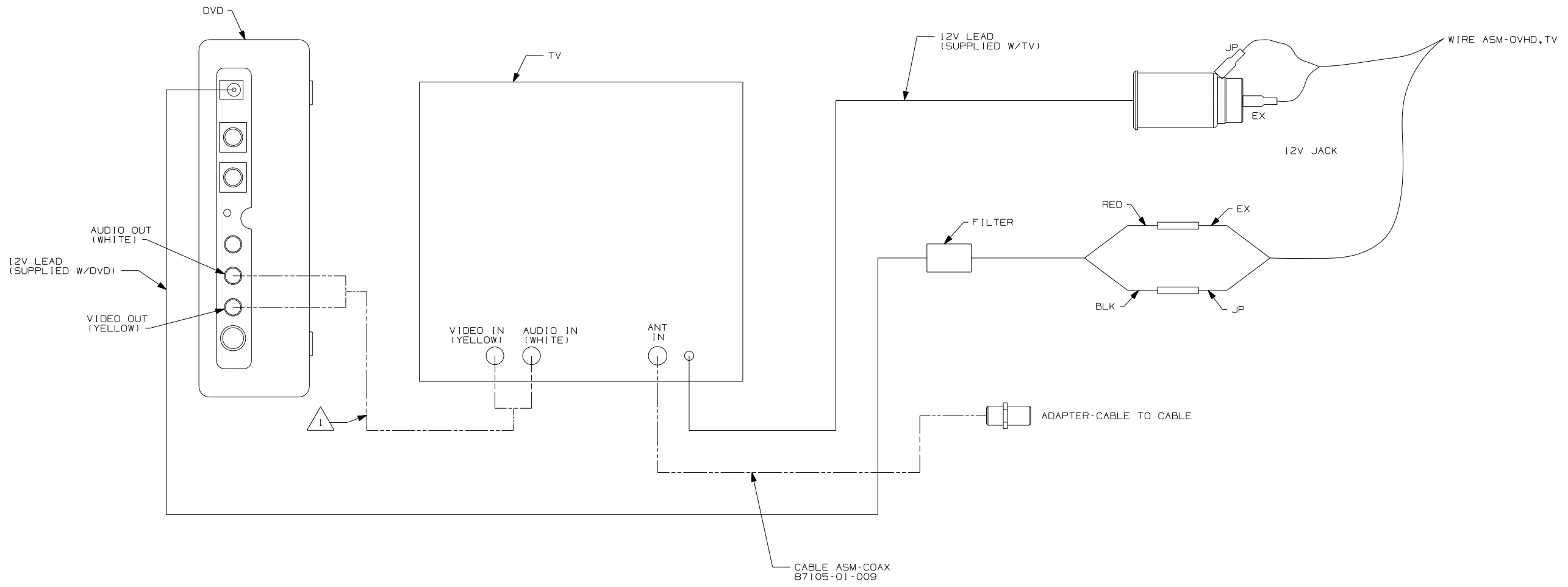
2. FOR CONNECTIONS, SEE SHEET 2.

NOT USED WITH (1JR)

NOTES:

- EXCEPT 331C & 331T
- (1JR) TV-13" W/DVD-12V
 - (265) CODES/STANDARDS-CSA/CMVSS
 - (1B1) CODES/STANDARDS-USA
 - (1B1) (265)

| | | | |
|------------------------------------|------------|---|---|
| WINNEBAGO | | COPYRIGHT 2004 WINNEBAGO INDUSTRIES, INC. | |
| DFT-0R | ORIG. DATE | ALL DIMENSIONS ARE IN MILLIMETERS | |
| CHKR | | FIRST USED | |
| P.E. | | 05 C-BODY | |
| M.E. | | UNSPECIFIED TOLERANCES ARE: | |
| DSNR | | MATERIAL: | |
| | | WHOLE DIM (X) | : |
| | | ONE-PLACE (X.X) | : |
| | | TWO-PLACE (X.XX) | : |
| | | ANGLE | : |
| | | THIRD ANGLE PROJECTION | ⊕ |
| DO NOT SCALE DRAWING | | | |
| TITLE: WIRING INSTL-TV/VCR,SIDE | | | |
| SHEET 1 OF 7 | PART NO | 148534 | |
| REF: 145376 9/28/2004 | | | |



VIEW BA

EXCEPT 331C & 331T

- 1JR TV-13" W/DVD-12V
- 265 CODES/STANDARDS-CSA/CMVSS
- 1B1 CODES/STANDARDS-USA

1B1 265 1JR

| | |
|--------------------------|----------------|
| FIRST USED | |
| 05 C-BODY | |
| DO NOT SCALE DRAWING | |
| TITLE: | |
| WIRING INSTL-TV/VCR,SIDE | |
| SHEET 2 | PART NO 148534 |

NOTES:

1 CABLE SUPPLIED WITH DVD. RED CONNECTOR NOT USED.

40B INVERTER-300 WATT
99048-04-000
FASTENER DUAL-LOCK
85774-01-000
85774-02-000

RECP-TV,SIDE

42M TAPE-FOAM
90340-01-000
(1500MM)

IL4 TV-20" STEREO
149040-02-000
BRACKET-TIEDOWN,TV
148247-05-CHT
NUT-HEX
D14-05-00B (2)
WASHER-FLAT
E13-18-00B (2)
BOLT
C12-05-40B (2)

PLATE-SAT PREP

WIRE ASM-ROOF

EA

DA

1 12V WALLPLATE

1 WIRE ASM-RIGHT

42M CONTROL CENTER-SWITCHING
86757-04-000
BRACKET
118847-02-CHT

256 DVD/VCR
145641-04-000
FASTENER DUAL-LOCK
85774-01-000
85774-02-000

331C & 331T SIDE ENTERTAINMENT CENTER

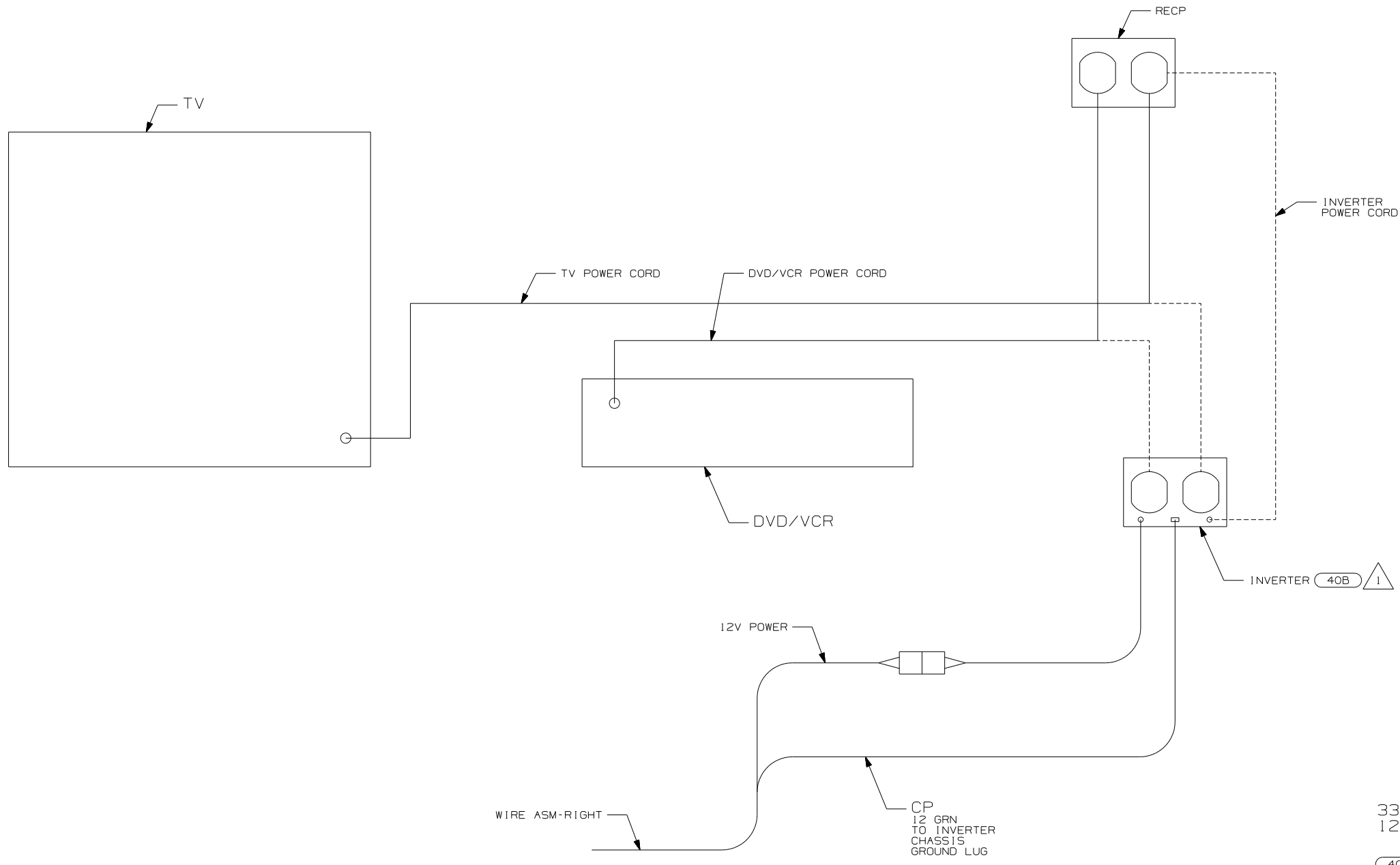
- IL4 TV-20" W/VIDEO SELECTION SYS
- 40B INVERTER-DC/AC-300 WATT
- 256 DVD/VCR,STEREO,W/REMOTE
- 265 CODES/STANDARDS-CSA/CMVSS
- 1B1 CODES/STANDARDS-USA

1B1 265

| | | |
|------------|--------------------------|--------|
| FIRST USED | 05 C-BODY | |
| TITLE | DO NOT SCALE DRAWING | |
| TITLE | WIRING INSTL-TV/VCR,SIDE | |
| SHEET 3 | PART NO | 148534 |

- 110V WIRE TO BE CLAMPED WITH CLAMP 10497-05-000 WITHIN 200MM OF OUTLET BOXES, USE SCREW G67-10-12B.
 - ALL WIRES TO BE SECURED WITH CLAMP 10495-01-000 OR CLIP 80734-01-000 EVERY 600MM. USE SCREW G67-10-12B UNLESS OTHERWISE SPECIFIED.
 - FOR COAX CONNECTIONS, SEE SHEET 5.
 - FOR 12V AND 110V CONNECTIONS, SEE SHEET 4.
- 1 CLAMP 83610-01-000, SCREW G39-08-12B.

NOTES:



VIEW DA

331C & 331T
12V AND 110V CONNECTIONS

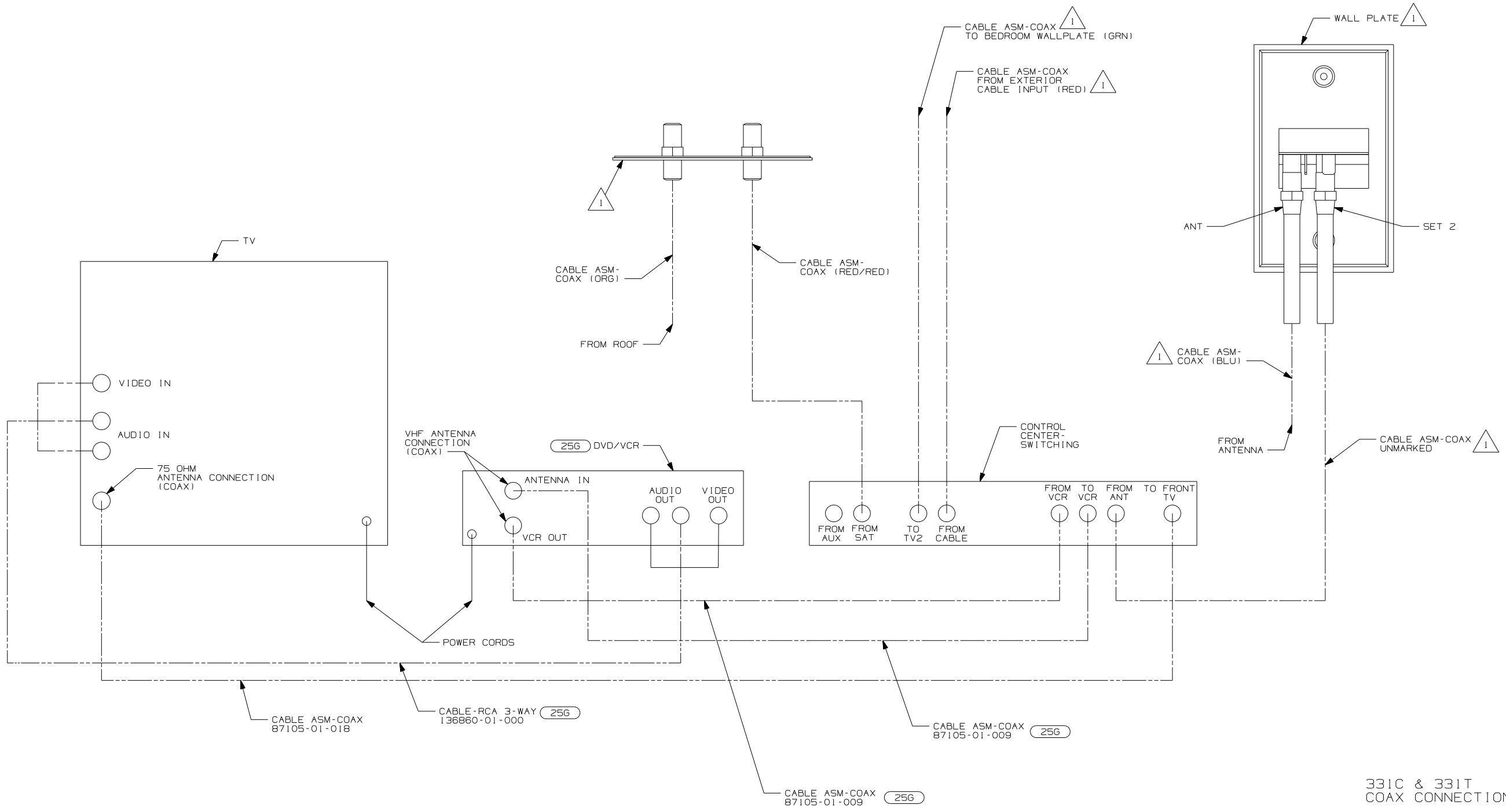
- (40B) INVERTER-DC/AC, 300 WATT
- (265) CODES/STANDARDS-CSA/CMVSS
- (1B1) CODES/STANDARDS-USA

(1B1) (265)

| | |
|------------|--------------------------|
| FIRST USED | 05 C-BODY |
| TITLE | DO NOT SCALE DRAWING |
| | WIRING INSTL-TV/VCR,SIDE |
| SHEET 4 | PART NO 148534 |

NOTES:

WITH (40B), PLUG TV OR (TV AND VCR) INTO INVERTER.
PLUG INVERTER INTO RECP-ENTERTAINMENT CTR.



VIEW EA

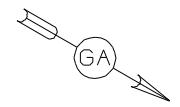
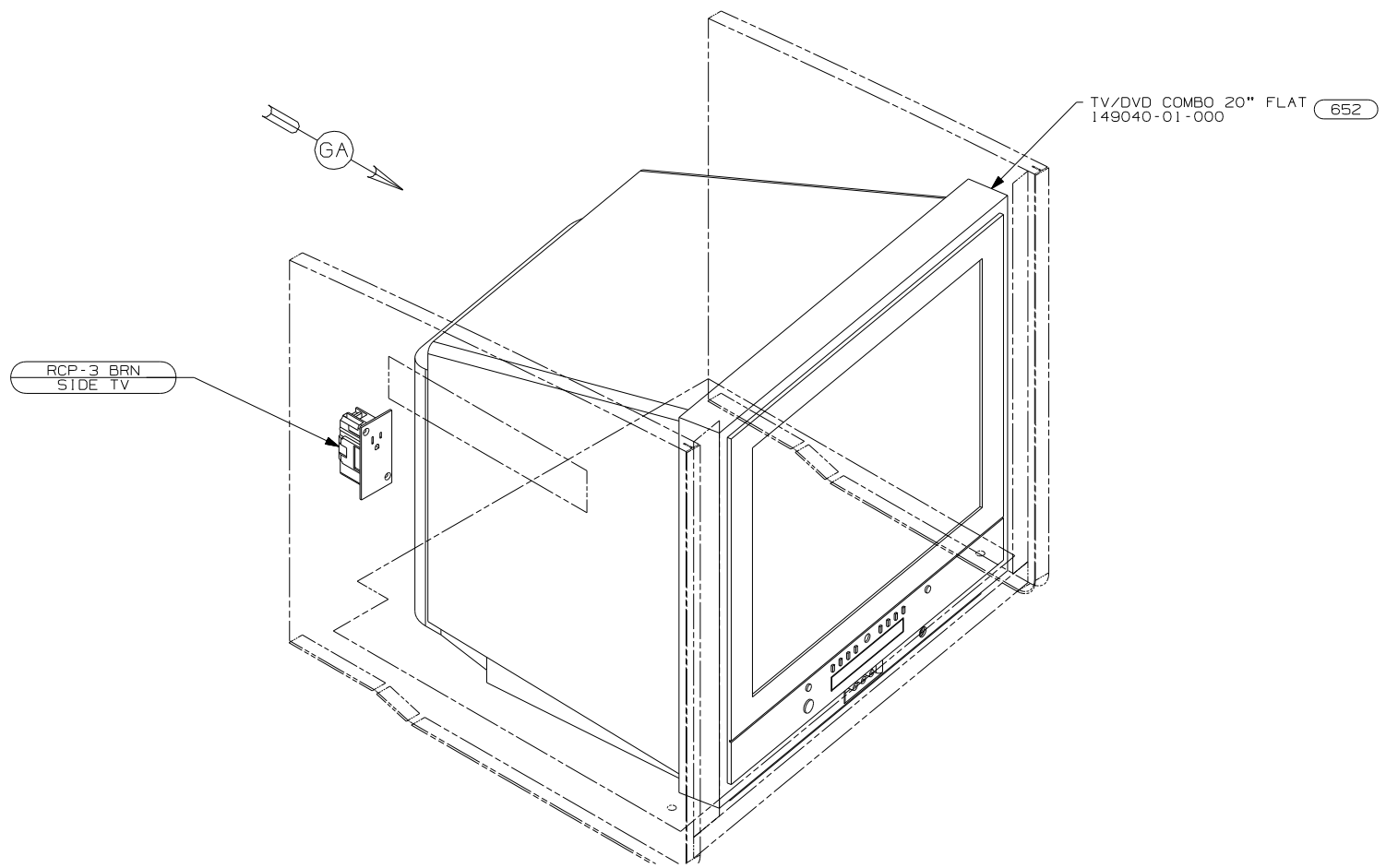
331C & 331T
COAX CONNECTIONS

- (42M) TV-19" COLOR W/STEREO
- (25G) DVD/VCR, STEREO, W/REMOTE
- (265) CODES/STANDARDS-CSA/CMVSS
- (1B1) CODES/STANDARDS-USA

(1B1) (265)

| | |
|------------|---------------------------|
| FIRST USED | 05 C-BODY |
| TITLE | DO NOT SCALE DRAWING |
| TITLE | WIRING INSTL-TV/VCR, SIDE |
| SHEET 5 | PART NO 148534 |

NOTES:
1 SEE WIRING INSTL-BODY FOR ADDITIONAL INFORMATION.



RCP-3 BRN
SIDE TV

TV/DVD COMBO 20" FLAT
149040-01-000 (652)

400 SERIES

- (652) BUNK-SINGLE, FRONT TV/DVD
- (265) CODES/STANDARDS-CSA/CMVSS
- (1B1) CODES/STANDARDS USA

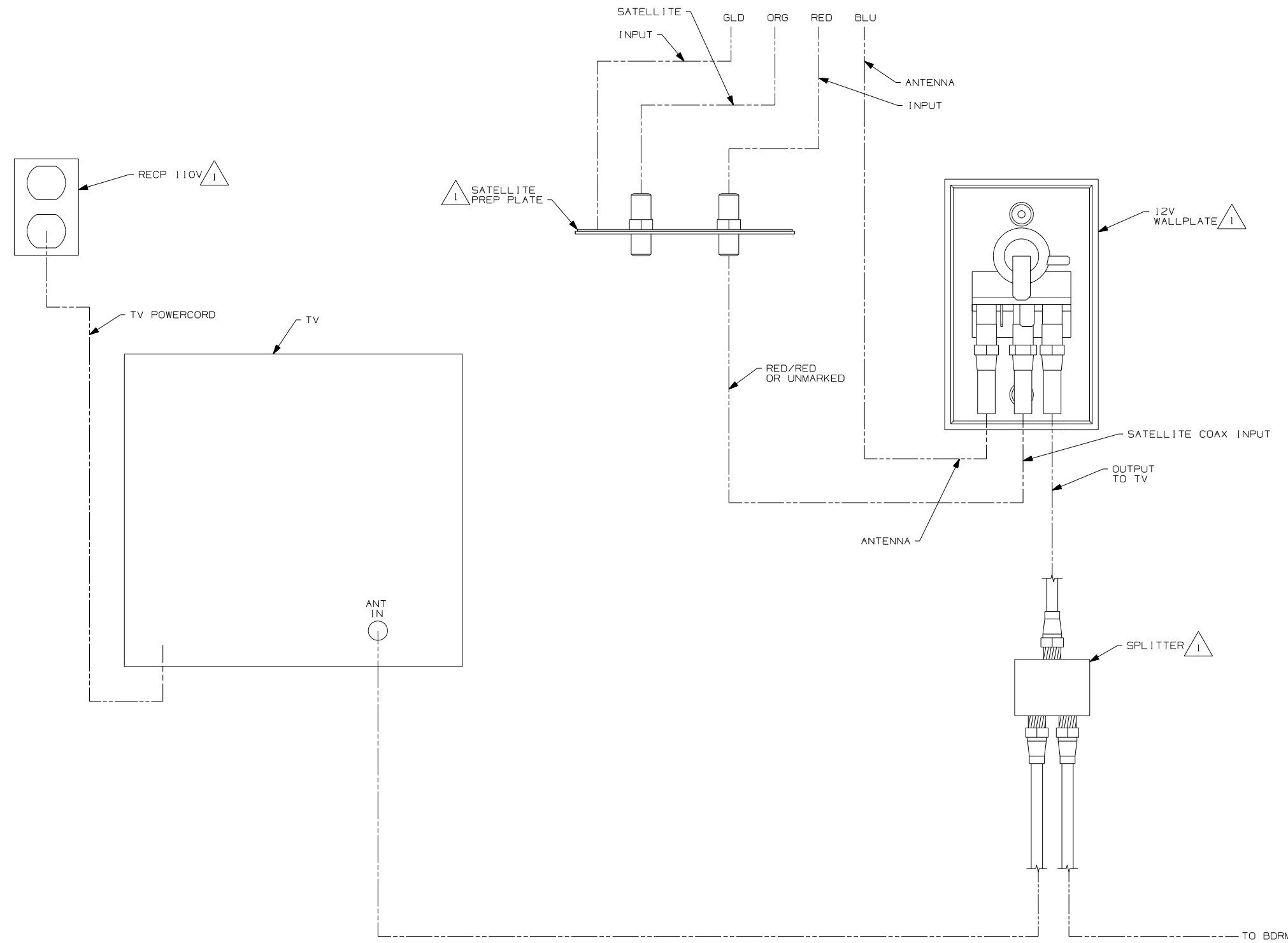
(1B1) (265)

| | |
|------------|--------------------------|
| FIRST USED | 05 C-BODY |
| TITLE | DO NOT SCALE DRAWING |
| TITLE | WIRING INSTL-TV/VCR,SIDE |
| SHEET 6 | PART NO 148534 |

FOR ELECTRICAL
TORQUE
SPECIFICATIONS
SEE DWG NO.
128783-01-000

(X-X)
FOR
ELECTRICAL
CALLOUTS
SEE DWG NO.
121339-01-000

NOTES:
1. FOR CONNECTIONS SEE SHT 7.



NOTES:
 1 SEE WIRING INSTL-BODY FOR ADDITIONAL INFORMATION.

- 400 SERIES
- 652 BUNK-SINGLE, FRONT TV/DVD
 - 265 CODES/STANDARDS-CSA/CMVSS
 - 1B1 CODES/STANDARDS USA

| | |
|--------------------------|----------------|
| FIRST USED | |
| 05 C-BODY | |
| DO NOT SCALE DRAWING | |
| TITLE: | |
| WIRING INSTL-TV/VCR,SIDE | |
| SHEET 7 | PART NO 148534 |

TERMINALS

| NO. | PART NUMBER | DESCRIPTION |
|--|---|--|
| B-1 B-2 B-11 B-12 | 50003-01 50004-01 50003-02 50004-02 | TERMINAL-PIN, 16-14 GA, .156 DIA TERMINAL-RECP, 16-14 GA, .156 DIA TERMINAL-PIN, 16-14 GA, .180 DIA TERMINAL-RECP, 16-14 GA, .180 DIA |
| WP-1 WP-2 WP-3 | 106950-01 106950-02 106950-03 | TERMINAL-PIN, 16-14 GA TERMINAL-PIN, 10-12 GA TERMINAL-PIN, 8 GA |
| R-1 R-2 R-3 R-4 R-5 R-6 R-7 R-8 R-9 | 35416-01 35416-02 35416-03 35416-04 37018-01 102777-01 102777-02 102777-03 33787-01 | TERMINAL-RING, 8 GA, #10 STUD TERMINAL-RING, 6 GA, #10 STUD TERMINAL-RING, 12-10 GA, #10 STUD TERMINAL-RING, 16-14 GA, #10 STUD TERMINAL-RING, 12-10 GA, 5/16 STUD TERMINAL-RING, #6 STUD, 14-16 GA TERMINAL-RING, #6 STUD, 10-12 GA TERMINAL-RING, #6 STUD, 8 GA TERMINAL-RING, 14 GA, #10 STUD |
| R-60 R-61 R-62 R-63 R-64 R-65 R-66 R-67 R-68 R-69 R-70 R-71 | 8325-01 8326-01 8327-01 8328-01 8328-02 8329-01 8331-01 8332-01 8332-02 8350-01 99275-02 101397-01 | TERMINAL-RING, 16-14 GA, 1/4 STUD TERMINAL-RING, 16-14 GA, 3/8 STUD TERMINAL-RING, 16-14 GA, #10 STUD TERMINAL-RING, 12-10 GA, #10 STUD TERMINAL-RING, 12-10 GA, 3/8 STUD TERMINAL-RING, 8 GA, 3/8 STUD TERMINAL-RING, 4 GA, 3/8 STUD TERMINAL-RING, 6 GA, 1/4 STUD TERMINAL-RING, 10 GA, 1/4 STUD TERMINAL-RING, 6 GA, 3/8 STUD TERMINAL-RING, 8 GA, 7/16 STUD TERMINAL-RING, 16-14 GA, #10 STUD |
| R-91 R-92 R-93 R-94 | 88791-01 88791-02 8348-01 99275-01 | TERMINAL-RING, 1/0 GA, 3/8, 90 DEG. TERMINAL-RING, 2 GA, 3/8, 90 DEG TERMINAL-RING, 2 GA, 3/8 STUD TERMINAL-RING, 1/0 GA, 7/16 STUD |
| RF-51 RF-52 | 7944-01 7945-01 | TERMINAL-SPADE, 12-10 GA, #8 STUD TERMINAL-SPADE, 18-14 GA, #8 STUD |
| TR-1 TR-2 TR-3 TR-11 TR-12 | 47443-01 47443-02 47443-05 47443-03 47443-04 | TERMINAL-RECP, 16-14 GA, .25, INS TERMINAL-RECP, 12-10 GA, .25, INS TERMINAL-RECP, 22-18 GA, .25, INS TERMINAL-RECP, 16-14 GA, .19, INS TERMINAL-RECP, 16-14 GA, .11, INS |
| TR-21 TR-22 TR-23 TR-24 | 80015-01 80015-02 80015-03 80015-04 | TERMINAL-RECP, 22-18 GA, .250, 90 DEG FOR USE WITH TAB THICKNESS .032 TERMINAL-RECP, 16-14 GA, .187, 90 DEG FOR USE WITH TAB THICKNESS .032 TERMINAL-RECP, 16-14 GA, .250, 90 DEG FOR USE WITH TAB THICKNESS .032 TERMINAL-RECP, 16-14 GA, .187, 90 DEG FOR USE WITH TAB THICKNESS .020 |
| TR-51 TR-52 TR-53 TR-54 TR-55 | 7940-01 23809-01 23809-02 49270-01 7940-02 | TERMINAL-RECP, 16-12 GA, .25, UNINS TERMINAL-RECP, 16-14 GA, .19, UNINS TERMINAL-RECP, 18-20 GA, .25, UNINS TERMINAL-RECP, 18-20 GA, .19, UNINS TERMINAL-RECP, 10 GA, .25, UNINS |
| TT-1 TT-2 TT-11 | 85745-02 85745-03 85745-04 | TERMINAL-TAB, 16-14 GA, .25, INS TERMINAL-TAB, 10-12 GA, .25, INS TERMINAL-TAB, 18-22 GA, .19, INS |
| TT-51 TT-52 | 7942-01 7943-01 | TERMINAL-TAB, 16-14 GA, .25, UNINS TERMINAL-TAB, 14-10 GA, .25, UNINS |
| MF6-1 MF6-2 | 129236-01 129236-02 | TERMINAL-FEM, M/P, 630, 10-12 TERMINAL-FEM, M/P, 630, 14-16 |

SPLICES

| NO. | PART NUMBER | DESCRIPTION |
|-------------------------------|---|---|
| BS-1 BS-2 BS-3 BS-SB | 31876-01 31876-02 31876-03 100070-01 | SPLICE-BUTT, 16-14 GA, BLUE SPLICE-BUTT, 12-10 GA, YELLOW SPLICE-BUTT, 22-18 GA, RED SPLICE-BUTT, 14-16 GA, SHRINK, BLUE |
| BS-RB | 112823-01 | SPLICE-BUTT, 14-22 GA, REDUCER |
| S-1 S-2 | 7946-01 23808-01 | SPLICE, 1-6 MM ² SPLICE, 6-9 MM ² |
| 1-2 1-5 | 7956-02 7956-05 | SHRINK WRAP .375 DIA SHRINK WRAP .25 DIA |
| SH-1 | 58028-01 | SPLICE-HAT |
| S-10 | 101173-01 | SPLICE-BARREL, 26300 CMA |

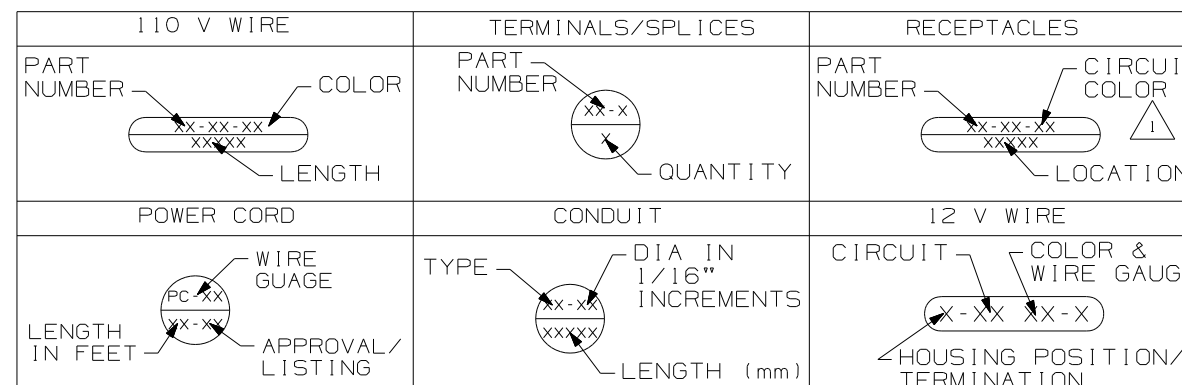
| NO. | PART NUMBER | DESCRIPTION |
|--|---|---|
| SP-1 | 90986-02 | PLUG ASM-ELECTRIC STEP |
| SP-2 | 142524-01-000 098261-01-000 098262-07-000 098261-02-000 (3) 098262-01-000 (3) | HOUSING-4 PIN SOCKET-CONNECTOR SEAL-CONNECTOR SOCKET-CONNECTOR SEAL-CONNECTOR |
| HR-1 | 63910-01 | HOUSING-RELAY |
| MP-8 MP-10 MPP CAV-1 CON-3 | 125323-02 125323-01 125324-01 125325-01 98262-03 | HOUSING-PIN, 8 CAVITY HOUSING-PIN, 10 CAVITY TERMINAL-MALE, M/P, 150 SEAL-CAVITY, 150-SERIES M/P SEAL-CONNECTOR |
| LS-8 LS-10 | 125323-03 125323-04 | LOCK-SECONDARY 8 POSITION LOCK-SECONDARY 10 POSITION |
| H-8 H-12 | 108355-01 108355-02 | HOUSING-SWITCH, 8 POSITION HOUSING-SWITCH, 12 POSITION |

| NO. | PART NUMBER | DESCRIPTION |
|-------|---|---|
| GEN-1 | 125323-02-000 125324-01-000 (4) 098262-03-000 (4) 125325-01-000 (4) 125323-03-000 | HOUSING-8 POSN, MALE, 150 SERIES TERMINAL-MALE, M/P, 150 SEAL-CONNECTOR SEAL-CAVITY, 150 SERIES M/P LOCK-SECONDARY 8 POSITION |
| GEN-2 | 125323-01-000 125324-01-000 (5) 098262-03-000 (5) 125325-01-000 (5) 125323-04-000 | HOUSING-10 POSN, MALE, 150 SERIES TERMINAL-MALE, M/P, 150 SEAL-CONNECTOR SEAL-CAVITY, 150 SERIES M/P LOCK-SECONDARY 10 POSITION |

HOUSINGS AND TERMINALS

| NO. | PART NUMBER | DESCRIPTION |
|--|--|---|
| HS-2 HS-3 HS-4 HS-5 HS-6 HS-7 HS-9 HS-12 HS-15 | 88474-10 88474-09 88474-08 88474-07 88474-06 88474-05 88474-03 88474-01 88474-02 | HOUSING-SOCKET, 2 CAVITY HOUSING-SOCKET, 3 CAVITY HOUSING-SOCKET, 4 CAVITY HOUSING-SOCKET, 5 CAVITY HOUSING-SOCKET, 6 CAVITY HOUSING-SOCKET, 6 CAVITY-IN LINE HOUSING-SOCKET, 9 CAVITY HOUSING-SOCKET, 12 CAVITY HOUSING-SOCKET, 15 CAVITY |
| HP-2 HP-3 HP-4 HP-5 HP-6 HP-7 HP-8 HP-9 HP-12 HP-15 HP-2-R HP-3-B HP-3-G HP-3-R | 88473-10 88473-09 88473-08 88473-07 88473-06 88473-05 88473-04 88473-03 88473-01 88473-02 88473-15 88473-12 88473-13 88473-14 | HOUSING-PIN, 2 CAVITY HOUSING-PIN, 3 CAVITY HOUSING-PIN, 4 CAVITY HOUSING-PIN, 5 CAVITY HOUSING-PIN, 6 CAVITY HOUSING-PIN, 6 CAVITY-IN LINE HOUSING-PIN, 8 CAVITY-IN LINE HOUSING-PIN, 9 CAVITY HOUSING-PIN, 12 CAVITY HOUSING-PIN, 15 CAVITY HOUSING-PIN, 2 CAVITY-RED HOUSING-PIN, 3 CAVITY-BLUE HOUSING-PIN, 3 CAVITY-GREEN HOUSING-PIN, 3 CAVITY-RED |
| TS-1 TS-2 | 88476-01 88476-02 | SOCKET-CONNECTOR, 20-14 GA SOCKET-CONNECTOR, 12-10 GA |
| TP-1 TP-2 | 88475-01 88475-02 | PIN-CONNECTOR, 20-14 GA PIN-CONNECTOR, 12-10 GA |
| HS2HA HP2HA | 137208-01 137207-01 | HOUSING-SOCKET, 2 CAVITY-HIGH AMP HOUSING-PIN, 2 CAVITY-HIGH AMP |
| TS-HA TP-HA | 137210-01 137209-01 | SOCKET-CONNECTOR, 10AWG HIGH AMP PIN-CONNECTOR, 10AWG HIGH AMP |

BALLOON CALLOUT LEGEND



WINNEBAGO COPYRIGHT 2004 WINNEBAGO INDUSTRIES, INC.

REV DATE: A
REV ZONE: A
REVISION RECORD: A
DATE: 11/30/2005
DWG NO: 121339
SHEET 1 OF 7

UNSPECIFIED TOLERANCES ARE:
WHOLE DIM (X) :
ONE-PLACE (X.X) :
TWO-PLACE (X.XX) :
ANGLE :
THIRD ANGLE PROJECTION

DO NOT SCALE DRAWING

TITLE: PART LISTING-ELECTRICAL

NOTES:
 1 FOR RECP-BLANK, DET-X DENOTES DETAIL VIEW.
 2 INACTIVE

WIRE-SINGLE INS CONDUCTOR, STRANDED

| NO. | PART NUMBER | DESCRIPTION |
|----------------|------------------------|---|
| 18-W 18-Y | 156658-01 156658-02 | WIRE, 18 GA. WHITE, PVC WIRE, 18 GA. YELLOW, PVC |
| 16-Y 16-W | 89360-01 89360-02 | WIRE, 16 GA. YELLOW, PVC WIRE, 16 GA. WHITE, PVC |
| 14-Y 14-W | 48554-02 48554-04 | WIRE, 14 GA. YELLOW, PVC WIRE, 14 GA. WHITE, PVC |
| 12-Y 12-W | 48555-02 48555-04 | WIRE, 12 GA. YELLOW, PVC WIRE, 12 GA. WHITE, PVC |
| 10-Y 10-W | 8000-03 8000-05 | WIRE, 10 GA. YELLOW, PVC WIRE, 10 GA. WHITE, PVC |
| 8-B 8-G | 8005-01 8005-03 | WIRE, 8 GA. BLACK, PVC WIRE, 8 GA. GREEN, PVC |
| 6-B 6-G | 70065-01 70065-03 | WIRE, 6 GA. BLACK, PVC WIRE, 6 GA. GREEN, PVC |
| 18-WX 18-YX | 121015-01 121015-02 | WIRE, 18 GA. WHITE, XLPE WIRE, 18 GA. YELLOW, XLPE |
| 16-YX 16-WX | 116675-01 116675-02 | WIRE, 16 GA. YELLOW, XLPE WIRE, 16 GA. WHITE, XLPE |
| 14-YX 14-WX | 98586-01 98586-02 | WIRE, 14 GA. YELLOW, XLPE WIRE, 14 GA. WHITE, XLPE |
| 12-YX 12-WX | 98609-01 98609-02 | WIRE, 12 GA. YELLOW, XLPE WIRE, 12 GA. WHITE, XLPE |
| 10-YX 10-WX | 116676-03 116676-04 | WIRE, 10 GA. YELLOW, XLPE WIRE, 10 GA. WHITE, XLPE |
| 8-BX 8-GX | 116674-01 116674-02 | WIRE, 8 GA. BLACK, XLPE WIRE, 8 GA. GREEN, XLPE |
| 6-BX 6-GX | 116687-01 116687-02 | WIRE, 6 GA. BLACK, XLPE WIRE, 6 GA. GREEN, XLPE |

RECEPTACLES

| NO. | PART NUMBER | DESCRIPTION |
|-------|---------------|-------------------------------------|
| RCP-1 | 86738-02-CHT | RECEPTACLE-SINGLE, FLUSH MOUNT |
| RCP-2 | 86738-01-CHT | RECEPTACLE-DOUBLE, FLUSH MOUNT |
| RCP-3 | 58707-01-000 | RECEPTACLE-SINGLE, SURFACE MOUNT |
| RCP-4 | 157360-01-000 | RECEPTACLE-SINGLE, FLUSH MOUNT, 20A |
| RCP-B | 58707-02-000 | RECEPTACLE-BLANK, JUNCTION |
| RCP-E | 131826-01-CHT | INCLUDES COVER & GASKET |

WIRE-NM SHEATHED CABLE

| NO. | PART NUMBER | DESCRIPTION |
|---------|---------------|--------------------------------|
| 14 UL | 8027-01-000 | WIRE 14-2 ROMEX W/GROUND (UL) |
| 14 CA | 8023-02-000 | WIRE 14-2 ROMEX W/GROUND (CAN) |
| 12 UL | 8026-01-000 | WIRE 12-2 ROMEX W/GROUND (UL) |
| 12 CA | 8023-01-000 | WIRE 12-2 ROMEX W/GROUND (CAN) |
| 12-3 UL | 8026-03-000 | WIRE 12-3 ROMEX W/GROUND (UL) |
| 12-3 CA | 8023-03-000 | WIRE 12-3 ROMEX W/GROUND (CAN) |
| 10 UL | 8022-01-000 | WIRE 10-2 ROMEX W/GROUND (UL) |
| 10 CA | 24743-01-000 | WIRE 10-2 ROMEX W/GROUND (CAN) |
| 6-3 UL | 108914-01-000 | WIRE 6-3 ROMEX W/GROUND (UL) |
| 6-3 CA | 113136-01-000 | WIRE 6-3 ROMEX W/GROUND (CAN) |
| 6-2 UL | 108914-02-000 | WIRE 6-2 ROMEX W/GROUND (UL) |
| 4-3 UL | 128375-01-000 | WIRE 4-3 ROMEX W/GROUND (UL) |
| 4-3 CA | 128375-01-000 | WIRE 4-3 ROMEX W/GROUND (CAN) |

POWER CORDS

| NO. | PART NUMBER | DESCRIPTION |
|----------------|---------------|--|
| PC-10 28 | 8054-01-000 | POWER CORD 10 GA, 30 AMP, 28 FT. (UL/CA) |
| PC-10 35 | 8054-02-000 | POWER CORD 10 GA, 30 AMP, 35 FT. (UL/CA) |
| PC-10 30-CA | 8052-01-000 | SUPERCEDED BY 8054-01-000 |
| PC-6 36 | 108934-01-000 | POWER CORD 6 GA, 50 AMP, 36 FT. (UL/CA) |
| PC-6 36-FX | 108934-02-000 | POWER CORD 6 GA, 50 AMP, 36 FT. (UL/CSA) SUPERFLEX |
| PC-6 36-CA | 113096-01-000 | SUPERCEDED BY 108934-02-000 |

CIRCUIT COLOR LEGEND

| 110V CIRCUIT | WIRE COLOR | COAXIAL CIRCUIT |
|----------------------------|------------|--------------------------|
| A/C CIRCUIT 1 | RED | CABLE INPUT W/O SPLITTER |
| A/C CIRCUIT 2 | GRN | REAR TV W/O SPLITTER |
| GENERAL RECPS 1 | BLU | ANTENNA |
| GENERAL RECPS 2 | BRN | FRONT TV |
| GENERAL RECPS 3 | PUR | VCR INPUT |
| GENERAL RECPS 4 | GRY | |
| REFRIGERATOR/ CONVERTER | YEL | EXT ENT CTR |
| MICROWAVE | BLK | AUX INPUT |
| WATER HEATER | WHT | |
| WASHER/DRYER | GLD | |
| DISHWASHER | SIL | |
| | ORG | SATELLITE PLATE INPUT |
| | ORG/ORG | SATELLITE PLATE OUTPUT |
| | RED/RED | CABLE INPUT W/SPLITTER |
| | GRN/GRN | REAR TV W/SPLITTER |
| | PUR/PUR | VCR OUTPUT |

CONDUIT


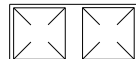
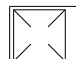
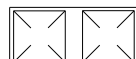
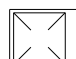

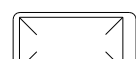
| NO. | PART NUMBER | DESCRIPTION | TEMP. |
|-------|--------------|-------------------------------------|--------|
| C-4 | 41953-07-000 | CONDUIT-CONVOLUTE, SLIT .25" ID | 194° F |
| C-6 | 41953-06-000 | CONDUIT-CONVOLUTE, SLIT .38" ID | 194° F |
| C-8 | 41953-01-000 | CONDUIT-CONVOLUTE, SLIT .50" ID | 194° F |
| C-10 | 41953-02-000 | CONDUIT-CONVOLUTE, SLIT .63" ID | 194° F |
| C-16 | 41953-03-000 | CONDUIT-CONVOLUTE, SLIT 1.0" ID | 194° F |
| C-24 | 41953-08-000 | CONDUIT-CONVOLUTE, SLIT 1.5" ID | 194° F |
| C-32 | 41953-15-000 | CONDUIT-CONVOLUTE, SLIT 2.0" ID | 194° F |
| CX-8 | 41953-09-000 | CONDUIT-CONVOLUTE, SLIT .50" ID | 239° F |
| CX-12 | 41953-10-000 | CONDUIT-CONVOLUTE, SLIT .75" ID | 239° F |
| CX-16 | 41953-11-000 | CONDUIT-CONVOLUTE, SLIT 1.0" ID | 239° F |
| CX-20 | 41953-13-000 | CONDUIT-CONVOLUTE, SLIT 1.25" ID | 239° F |
| CX-24 | 41953-14-000 | CONDUIT-CONVOLUTE, SLIT 1.50" ID | 239° F |
| CX-32 | 41953-16-000 | CONDUIT-CONVOLUTE, SLIT 2.0" ID | 239° F |
| CN-10 | 41953-05-000 | CONDUIT-CONVOLUTE, NOT SLIT .63" ID | 194° F |
| CN-16 | 41953-12-000 | CONDUIT-CONVOLUTE, NOT SLIT 1.0" ID | 194° F |

BATTERY CABLE LEGEND



| COLOR | DESCRIPTION |
|--------|-----------------------------|
| PURPLE | CHASSIS BATTERY TO SOLENOID |
| BLUE | HYDRAULIC JACKS PUMP |
| RED | BATTERY TO STARTER |
| GREEN | BATTERY TO GENERATOR |
| YELLOW | COACH BATTERY TO SOLENOID |

| | |
|------------|-------------------------|
| FIRST USED | 96 MH'S |
| TITLE | DO NOT SCALE DRAWING |
| | PART LISTING-ELECTRICAL |
| SHEET 2 | PART NO 121339 |


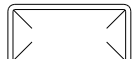

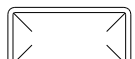

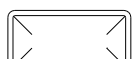
LAMP ASM-PACKAGE, PANCAKE

| NO | PART NUMBER | DESCRIPTION |
|-------|--|--|
| LF1-1 | LAMP 98024-01-CHT SCREW G11-08-16U (4) CONNECTOR 58028-01-000 (2) | LAMP ASM, FROSTED LENS, 1 BULB W/SWITCH PROGRESSIVE DYNAMICS INC.  |
| LF2-1 | LAMP 98024-03-CHT SCREW G11-08-16U (6) CONNECTOR 58028-01-000 (2) | LAMP ASM, FROSTED LENS, 2 BULB W/SWITCH PROGRESSIVE DYNAMICS INC.  |
| LO1-1 | LAMP 98024-05-CHT SCREW G11-08-16U (4) CONNECTOR 58028-01-000 (2) | LAMP ASM, OPTI CLEAR LENS, 1 BULB W/SWITCH PROGRESSIVE DYNAMICS INC.  |
| LO2-1 | LAMP 98024-06-CHT SCREW G11-08-16U (6) CONNECTOR 58028-01-000 (2) | LAMP ASM, OPTI CLEAR LENS, 2 BULB W/SWITCH PROGRESSIVE DYNAMICS INC.  |
| LF1N1 | LAMP 98024-07-CHT SCREW G11-08-16U (4) CONNECTOR 58028-01-000 (2) | LAMP ASM, FROSTED LENS, 1 BULB W/O SWITCH PROGRESSIVE DYNAMICS INC.  |
| LF2N1 | LAMP 98024-08-CHT SCREW G11-08-16U (6) CONNECTOR 58028-01-000 (2) | LAMP ASM, FROSTED LENS, 2 BULB W/O SWITCH PROGRESSIVE DYNAMICS INC.  |
| LFSN1 | LAMP 98024-09-CHT SCREW G11-08-16U (6) CONNECTOR 58028-01-000 (2) | LAMP ASM, SINGLE FROSTED LENS, 2 BULB W/O SWITCH PROGRESSIVE DYNAMICS INC.  |

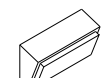


LAMP ASM-PACKAGE, HALOGEN

| NO | PART NUMBER | DESCRIPTION |
|-------|--|---|
| HAL | LAMP 123775-01-CHT SCREW (SUPPLIED) CONNECTOR 58028-01-000 (2) | LAMP ASM-HALOGEN, READING 1 BULB  |
| HAL-S | LAMP 123775-01-CHT SPACER 123775-02-CHT SCREW G13-06-16U (3) CONNECTOR 58028-01-000 (2) | LAMP ASM-HALOGEN, READING WITH 3/4" SPACER 1 BULB  |

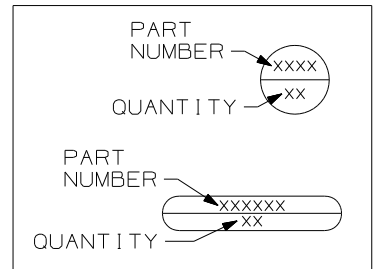
LAMP ASM-PACKAGE, PANCAKE

| NO | PART NUMBER | DESCRIPTION |
|-------|---|---|
| LF1-2 | LAMP 137417-01-CHT SCREW G11-08-16U (4) CONNECTOR 58028-01-000 (2) | LAMP ASM, FROSTED LENS, 1 BULB W/SWITCH PROGRESSIVE DYNAMICS INC.  |
| LF2-2 | LAMP 137417-04-CHT SCREW G11-08-16U (6) CONNECTOR 58028-01-000 (2) | LAMP ASM, FROSTED LENS, 2 BULB W/SWITCH PROGRESSIVE DYNAMICS INC.  |
| LO1-2 | LAMP 137417-02-CHT SCREW G11-08-16U (4) CONNECTOR 58028-01-000 (2) | LAMP ASM, OPTI CLEAR LENS, 1 BULB W/SWITCH PROGRESSIVE DYNAMICS INC.  |
| LO2-2 | LAMP 137417-05-CHT SCREW G11-08-16U (6) CONNECTOR 58028-01-000 (2) | LAMP ASM, OPTI CLEAR LENS, 2 BULB W/SWITCH PROGRESSIVE DYNAMICS INC.  |
| LF1N2 | LAMP 137417-03-CHT SCREW G11-08-16U (4) CONNECTOR 58028-01-000 (2) | LAMP ASM, FROSTED LENS, 1 BULB W/O SWITCH PROGRESSIVE DYNAMICS INC.  |
| LFSN2 | LAMP 137417-06-CHT SCREW G11-08-16U (6) CONNECTOR 58028-01-000 (2) | LAMP ASM, SINGLE FROSTED LENS, 2 BULB W/O SWITCH PROGRESSIVE DYNAMICS INC.  |

LAMP ASM-PACKAGE, PORCH

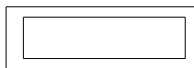
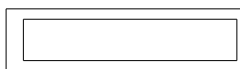
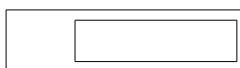
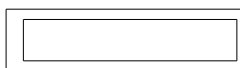
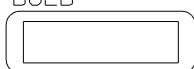
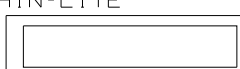
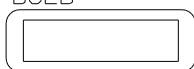

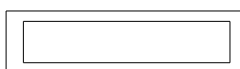
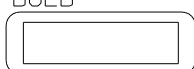
| NO | PART NUMBER | DESCRIPTION |
|----------|--|---|
| LEXT-1 | LAMP 97917-01-CHT SCREW G67-10-129 (4) CONNECTOR 58028-01-000 (2) | LAMP ASM-PORCH, SURFACE MOUNT BARGMAN  |
| LEXT-2UL | LAMP 8089-01-000 SCREW G68-06-10E (2) CONNECTOR 58028-01-000 (2) | LAMP ASM-PORCH, RECESSED UL LIST JRV PROD  |
| LEXT-2CA | LAMP 8089-02-000 SCREW G68-06-10E (2) CONNECTOR 58028-01-000 (2) | LAMP ASM-PORCH, RECESSED CAN LIST JRV PROD  |

LEGEND

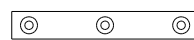
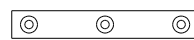
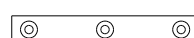
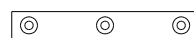
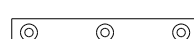
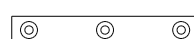


| | |
|------------|-------------------------|
| FIRST USED | 96 MH'S |
| TITLE | DO NOT SCALE DRAWING |
| TITLE | PART LISTING-ELECTRICAL |
| SHEET 3 | PART NO 121339 |

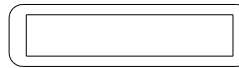


LAMP ASM-PACKAGE, FLUORESCENT

| NO | PART NUMBER | DESCRIPTION |
|-------|---|--|
| FLU-1 | LAMP 91936-02-CHT SCREW G11-08-12U (4) CONNECTOR 58028-01-000 (2) | LAMP ASM-FLUORESCENT 12" 2 BULB W/SWITCH THIN-LITE  |
| FLU-2 | LAMP 91936-01-CHT SCREW G11-08-12U (4) CONNECTOR 58028-01-000 (2) | LAMP ASM-FLUORESCENT 18" 2 BULB W/SWITCH THIN-LITE  |
| FLU-3 | LAMP 127327-01-CHT SCREW G11-08-12U (2) CONNECTOR 58028-01-000 (2) | LAMP ASM-FLUORESCENT 18" 1-12" BULB W/SWITCH THIN-LITE  |
| FLU-4 | LAMP 130338-01-CHT SCREW G11-08-12U (4) CONNECTOR 58028-01-000 (2) | LAMP ASM-FLUORESCENT 18" 2 BULB SURFACE MOUNT W/SWITCH THIN-LITE  |
| FLU-5 | LAMP 153464-02-CHT SCREW G11-08-12U (4) CONNECTOR 58028-01-000 (2) | LAMP ASM-FLUORESCENT 12" 2 BULB W/SWITCH COOL WHITE BULB THIN-LITE  CUTOUT-122 X 336 |
| FLU-6 | LAMP 130338-02-CHT SCREW G11-08-12U (4) CONNECTOR 58028-01-000 (2) | LAMP ASM-FLUORESCENT 18" 2 BULB SURFACE MOUNT WARM WHITE BULB W/SWITCH THIN-LITE  |
| FLU-7 | LAMP 153464-05-CHT SCREW G11-08-12U (4) CONNECTOR 58028-01-000 (2) | LAMP ASM-FLUORESCENT 12" 2 BULB W/SWITCH WARM WHITE BULB THIN-LITE  CUTOUT-122 X 336 |
| FLUN1 | LAMP 91936-04-CHT SCREW G11-08-12U (4) CONNECTOR 58028-01-000 (2) | LAMP ASM-FLUORESCENT 12" 2 BULB W/O SWITCH THIN-LITE  |
| FLUN2 | LAMP 91936-03-CHT SCREW G11-08-12U (4) CONNECTOR 58028-01-000 (2) | LAMP ASM-FLUORESCENT 18" 2 BULB W/O SWITCH THIN-LITE  |
| FLUN3 | LAMP 153464-01-CHT SCREW G11-08-12U (4) CONNECTOR 58028-01-000 (2) | LAMP ASM-FLUORESCENT 12" 2 BULB W/O SWITCH COOL WHITE BULB THIN-LITE  CUTOUT-122 X 336 |

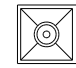
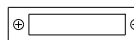
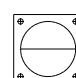

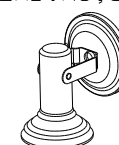
LAMP ASM-PACKAGE, MAKEUP LAMP

| NO | PART NUMBER | DESCRIPTION |
|--------|--|---|
| LMU3-1 | LAMP 110235-01-CHT SCREW W/SPACER (SUPPLIED) CONNECTOR 58028-01-000 (2) | LAMP ASM-MAKEUP (W/O MIRROR) 3 BULB (SUPPLIED) PROGRESSIVE DYNAMICS  |
| LMM3-2 | LAMP 123774-03-CHT SCREW (SUPPLIED) BULB 123918-01-000 (3) CONNECTOR 58028-01-000 (2) | LAMP ASM-MAKEUP (W/MIRROR) 3 BULB GUSTOFSON  |
| LMU3-2 | LAMP 138116-01-CHT SCREW (SUPPLIED) BULB 123918-01-000 (3) CONNECTOR 58028-01-000 (2) | LAMP ASM-MAKEUP (W/O MIRROR) 3 BULB GUSTOFSON  |
| LMU4-1 | LAMP 110235-02-CHT SCREW G11-08-16U (2) CONNECTOR 58028-01-000 (2) | LAMP ASM-MAKEUP (W/O MIRROR) 4 BULB PROGRESSIVE DYNAMICS  |
| LMU4-2 | LAMP 138116-02-CHT SCREW (SUPPLIED) BULB 123918-01-000 (4) CONNECTOR 58028-01-000 (2) | LAMP ASM-MAKEUP (W/O MIRROR) 4 BULB GUSTOFSON  |
| LMM4-2 | LAMP 123774-01-CHT SCREW G11-08-16U (2) BULB 123918-01-000 (4) CONNECTOR 58028-01-000 (2) | LAMP ASM-MAKEUP (W/MIRROR) 4 BULB GUSTOFSON  |

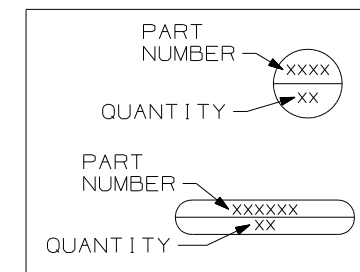
LAMP ASM-PACKAGE, FLUORESCENT

| NO | PART NUMBER | DESCRIPTION |
|-------|---|--|
| FLUN4 | LAMP 153464-03-CHT SCREW G11-08-12U (6) CONNECTOR 58028-01-000 (2) | LAMP ASM-FLUORESCENT 18" 2 BULB W/O SWITCH COOL WHITE BULB THIN-LITE  CUTOUT-122 X 480 |
| FLUN5 | LAMP 153464-06-CHT SCREW G11-08-12U (6) CONNECTOR 58028-01-000 (2) | LAMP ASM-FLUORESCENT 18" 2 BULB W/O SWITCH WARM WHITE BULB THIN-LITE  CUTOUT-122 X 480 |
| FLUN6 | LAMP 153464-04-CHT SCREW G11-08-12U (6) CONNECTOR 58028-01-000 (2) | LAMP ASM-FLUORESCENT 12" 2 BULB W/O SWITCH WARM WHITE BULB THIN-LITE  CUTOUT-122 X 336 |

LAMP ASM-PACKAGE, OTHER

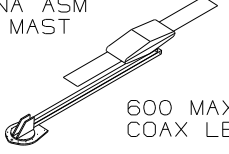
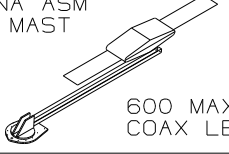
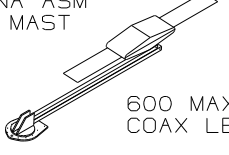
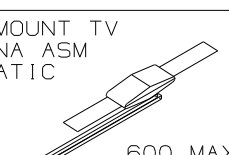
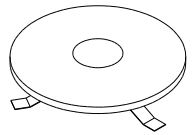
| NO | PART NUMBER | DESCRIPTION |
|--------|---|--|
| LSH-1 | LAMP 121935-01-CHT SCREW G11-08-16U (4) CONNECTOR 58028-01-000 (2) | LAMP ASM-SHOWER PROGRESSIVE DYNAMICS INC.  |
| LCR-1 | LAMP 61424-01-000 SCREW G11-08-12U (4) CONNECTOR 58028-01-000 (2) | LAMP ASM-COURTESY, AISLE RAMCO (RECTANGULAR)  |
| LCS-1 | LAMP 108354-01-CHT SCREW G11-08-12U (4) CONNECTOR 58028-01-000 (2) | LAMP ASM-COURTESY, AISLE ITC MARINE (SQUARE)  |
| READ-1 | LIGHT-READING 132427-01-CHT SCREW G13-06-16U (2) CLIP-U 141395-02-CHT (2) CONNECTOR 58028-01-000 (2) | LIGHT-READING, SWIVEL, ROUND 1 BULB  |
| READ-2 | LIGHT-READING 128786-02-CHT SCREW G11-08-16J (2) BULB 123917-01-000 CONNECTOR 58028-01-000 (2) | LIGHT, READING, SWIVEL  |

LEGEND

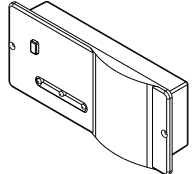


| | |
|------------|----------------------|
| FIRST USED | 96 MH'S |
| TITLE | DO NOT SCALE DRAWING |
| SHEET 4 | PART NO 121339 |

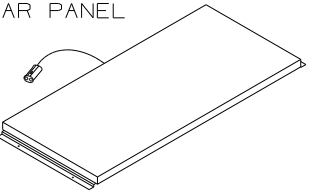
ANTENNA ASM-PACKAGE

| NO | PART NUMBER | DESCRIPTION |
|--------|--|--|
| ANT-1 | ANTENNA 76319-24-000 HARDWARE - INTERIOR 76319-25-000 BUMPER 69726-02-000 (2) CLIP 80734-02-000 | ROOF MOUNT TV ANTENNA ASM 25.5" MAST  600 MAX COAX LENGTH |
| ANT-2 | ANTENNA 76319-23-000 HARDWARE - INTERIOR 76319-25-000 BUMPER 69726-02-000 (2) ADAPTER SUPPLIED W/ANTENNA | ROOF MOUNT TV ANTENNA ASM 44.5" MAST  600 MAX COAX LENGTH |
| ANT-2W | ANTENNA 76319-23-000 HARDWARE - INTERIOR 76319-25-000 BUMPER 69726-02-000 (2) ADAPTER SUPPLIED W/ANTENNA WEDGE 76319-26-000 | ROOF MOUNT TV ANTENNA ASM 44.5" MAST  600 MAX COAX LENGTH |
| ANTA-1 | ANTENNA 158270-01-CHT BUMPER 69726-02-000 (2) ADAPTER SUPPLIED W/ANTENNA | ROOF MOUNT TV ANTENNA ASM AUTOMATIC  600 MAX COAX LENGTH |
| ANT-3 | ANTENNA-TV ROOF MNT, ROUND 132935-01-000 PLATE-ROOF, CABLE ENTRY 146488-01-000 SCREW G67-10-129 (10) CABLE ASM-COAX 87105-01-006 ADAPTER 82134-01-000 | ROOF MOUNT OMNI- DIRECTIONAL ANTENNA MOUNTING SCREWS SUPPLIED WITH ANTENNA  |

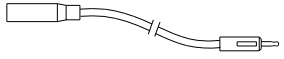
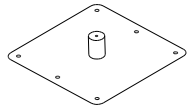
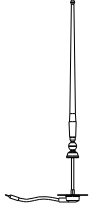
SENSORS

| NO | PART NUMBER | DESCRIPTION |
|------|---|--|
| LPGD | LP GAS DETECTOR 150138-01-CHT SCREW G68-06-10U (2) | DETECTOR-LP GAS  |

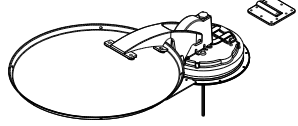
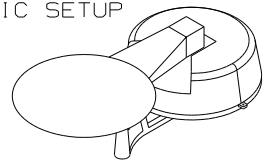
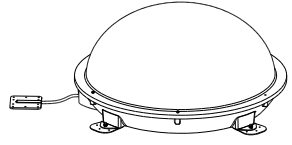
PANELS

| NO | PART NUMBER | DESCRIPTION |
|-------|---|--|
| SOLAR | PANEL-SOLAR 10 WATT 151647-01-000 SCREW G11-08-12U (4) | SOLAR PANEL  |

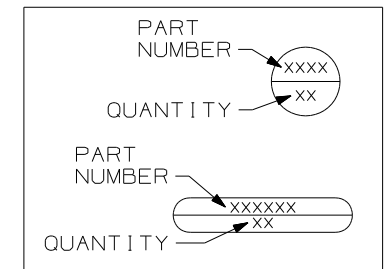
ANTENNA ASM-PACKAGE

| | | |
|----------|---|--|
| ANTEXT-1 | CABLE ASM-EXTENS 77069-02-000 | RADIO ANTENNA CABLE EXTENSION 2400MM USABLE LENGTH  |
| ANTKIT-1 | ADAPTER-PLATE 76319-06-000 SCREW G11-08-08T (6) CLIP-WIRE 80734-02-000 SCREW G11-08-08T | PLATE ASM-ADAPTERS CABLE ROOF MOUNTING PLATE W/ CABLE-CABLE ADAPTER, FITTINGS, AND CABLE RETAINING CLIP  |
| ANT-R | ANTENNA-RADIO 90944-01-000 EXTENDER-SHAFT ANTENNA 109889-04-000 BRACKET-ANTENNA GROUND 147741-01-CHT | ROOF MOUNT RADIO ANTENNA  |
| ANTEXT-2 | CABLE ASM-EXTENS 77069-03-000 | RADIO ANTENNA CABLE EXTENSION 6600 MM USABLE LENGTH |

SATELLITE DISH INSTL

| NO | PART NUMBER | DESCRIPTION |
|------|--|---|
| DM-1 | SATELLITE DISH 137135-02-000 SCREW G67-10-12B (8) PLATE & BRACKET (SUPPLIED) SCREW G67-10-12B (10) | SATELLITE DISH ANTENNA ASM MANUAL SETUP  |
| DA-1 | SATELLITE DISH 141454-03-CHT SCREW G67-10-12B (16) PLATE & BRACKET (SUPPLIED) SCREW G67-10-12B (10) | SATELLITE DISH ANTENNA ASM AUTOMATIC SETUP  |
| DI-1 | SATELLITE DISH 154474-04-CHT SCREW G39-10-12B (12) PLATE 146488-01-000 SCREW G67-10-12B (10) | SATELLITE DISH ANTENNA ASM IN MOTION SETUP  |

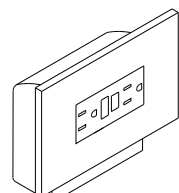
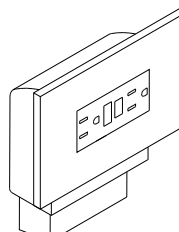
LEGEND

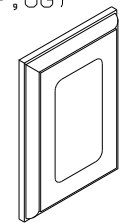
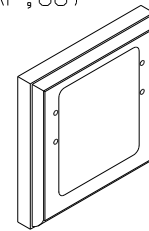
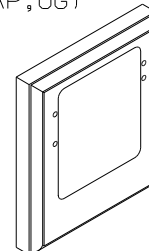
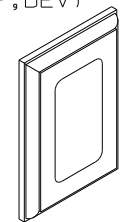
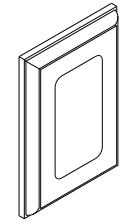


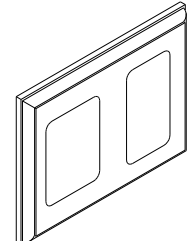
| | |
|------------|----------------------|
| FIRST USED | 96 MH'S |
| TITLE | DO NOT SCALE DRAWING |
| SHEET 5 | PART NO 121339 |

RECEPTACLE PACKAGE - GFI

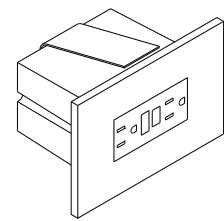
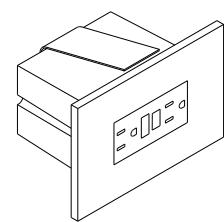
SPACERS

| NO | PART NUMBER | DESCRIPTION |
|------------|---|---|
| GFI US | RECEPTACLE 147446-01-CHT BOX 91910-02-000 PLATE-OUTLET 147450-01-CHT WIRE-BONDING 133678-03-000 SCREW G13-07-12B (4) CONNECTOR 8313-01-000 TUBING-VINYLL 8041-02-000 (300MM) | GFI RECEPTACLE WITH COVER AND BOX FOR US APPLICATION  |
| GFI CAN | RECEPTACLE 147446-01-CHT BOX 91910-01-000 PLATE-OUTLET 147450-01-CHT WIRE-BONDING 133678-03-000 SCREW G13-07-12B (4) CONNECTOR 8313-01-000 TUBING-VINYLL 8041-02-000 (300MM) | GFI RECEPTACLE WITH COVER AND BOX FOR CANADA APPLICATION  |

| NO | PART NUMBER | DESCRIPTION |
|-------|-------------------------|---|
| SP-01 | SPACER 102568-01-XXX | STANDARD 110V RECEPTACLE SPACER (WOOD,VYL RAP,OG)  |
| SP-02 | SPACER 102568-02-XXX | WOOD SPACER FOR CEILING MOUNTED A/C PREP BOX (US) (WOOD,VYL RAP,OG)  |
| SP-03 | SPACER 102568-03-XXX | WOOD SPACER FOR CEILING MOUNTED A/C PREP BOX (CANADA) (WOOD,VYL RAP,OG)  |
| SP-04 | SPACER 133713-01-CHT | STANDARD 110V RECEPTACLE SPACER (WOOD,VYL RAP,BEV)  |
| SP-05 | SPACER 133713-20-XXX | STANDARD 110V RECEPTACLE SPACER (WOOD,BEV)  |

| | | |
|-------|-------------------------|---|
| SP-21 | SPACER 126052-01-XXX | WOOD SPACER FOR 1 - 110V RECEPTACLE AND 1 - REAR TV (12V) JACK (WOOD,BEV)  |
|-------|-------------------------|---|

RECEPTACLE PACKAGE - GFI

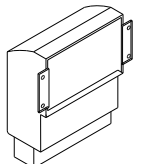
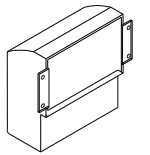
| NO | PART NUMBER | DESCRIPTION |
|--------------|--|---|
| GFI-L US | RECEPTACLE 147446-01-CHT BOX 133070-01-000 PLATE-OUTLET 147450-01-CHT WIRE-BONDING 133678-03-000 SCREW G13-07-12B (4) CONNECTOR 8313-01-000 TUBING-VINYLL 8041-02-000 (300MM) | GFI RECEPTACLE WITH COVER AND BOX FOR US APPLICATION  |
| GFI-L CAN | RECEPTACLE 147446-01-CHT BOX 133070-02-000 PLATE-OUTLET 147450-01-CHT WIRE-BONDING 133678-03-000 SCREW G13-07-12B (4) CONNECTOR 8313-01-000 TUBING-VINYLL 8041-02-000 (300MM) | GFI RECEPTACLE WITH COVER AND BOX FOR CANADA APPLICATION  |

LEGEND

| MISC. | SPACER |
|-------------------------------------|--------------------|
| PART NUMBER → XXXX LISTING → XXX | XXXX → PART NUMBER |

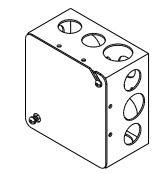
PREP - A/C, RECESSED (W/OUT FACTORY A/C)

| NO | PART NUMBER | DESCRIPTION |
|-----------------|------------------------------|--|
| PREP A/C-US | BOX 91910-02-000 | BOX AND EQUIPMENT USED FOR A/C PREP (W/OUT FACTORY A/C). US APPLICATION (RECESSED IN ROOF) |
| | COVER 84099-02-CHT | |
| | LABEL 91243-01-000 | |
| | SCREW G13-07-12B (4) | |
| | CONNECTOR 8313-01-000 (3) | |
| | | |
| PREP A/C-CAN | BOX 91910-01-000 | BOX AND EQUIPMENT USED FOR A/C PREP (W/OUT FACTORY A/C). CANADA APPLICATION (RECESSED IN ROOF) |
| | COVER 84099-02-CHT | |
| | LABEL 91243-01-000 | |
| | SCREW G13-07-12B (4) | |
| | CONNECTOR 8313-01-000 (3) | |
| | | |



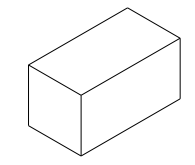
CONNECTION BOX, GENERATOR SERVICE FEED

| NO | PART NUMBER | DESCRIPTION |
|----------------|----------------------------------|--|
| J-GEN 30 | BOX 8289-01-000 | BOX AND EQUIPMENT USED FOR CONNECTING THE GENERATOR LEADS TO THE SERVICE ENTRANCE WIRES (US & CA APPLICATION) |
| J-GEN 30-US | COVER 8294-01-000 | |
| J-GEN 30-CA | SCREW G67-10-10B (2) | |
| | WIRE ASM-GROUND 133678-02-000 | |
| | WIRE NUT-GREY 8314-01-000 (3) | |
| | SCREW-GRND 103291-01-000 | |
| | CONNECTOR-WIRE 8356-01-000 | |
| | | |
| | | |
| | | |



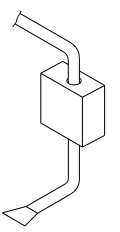
PREP - A/C, SURFACE (W/OUT FACTORY A/C)

| NO | PART NUMBER | DESCRIPTION |
|--------------|------------------------------|---|
| PREP SURF | BOX 93603-01-000 | SURFACE MOUNT, US AND CANADA, BOX AND EQUIPMENT FOR A/C PREP (W/OUT FACTORY A/C). TYPICALLY LOCATED ON OVERHEAD CABINET INNER WALL OR ON CEILING. |
| | COVER 53337-01-000 | |
| | LABEL 91243-01-000 | |
| | SCREW-GRND 103291-01-000 | |
| | WIRE-BONDING 8019-01-000 | |
| | SCREW G11-08-12B (2) | |
| | TERMINAL 8328-01-000 | |
| | CONNECTOR 8313-01-000 (2) | |
| | CONNECTOR 8311-01-000 | |
| | | |
| | | |
| | | |
| | | |
| | | |



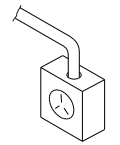
CONNECTION BOX-POWER CORD

| NO | PART NUMBER | DESCRIPTION |
|---------------|----------------------------------|---|
| J-PC 30 | BOX 8289-01-000 | CONNECTION BOX IN POWER CORD COMPT FOR POWER CORD (US & CA APPLICATION) |
| | COVER 8294-01-000 | |
| J-PC 30-US | SCREW G67-10-10B (2) | |
| | WIRE ASM-GROUND 133678-02-000 | |
| J-PC 30-CA | CONNECTOR 8314-01-000 (3) | |
| | SCREW-GRND 103291-01-000 | |
| | CONNECTOR 8356-02-000 | |
| | CONNECTOR (PC) 8355-01-000 | |
| | | |
| | | |
| | | |
| | | |
| | | |
| | | |

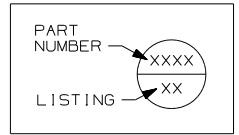


CONNECTION BOX-GENERATOR RECEPTACLE

| NO | PART NUMBER | DESCRIPTION |
|----------------|-------------------------------------|--|
| J-RCP 30 | BOX 8289-01-000 | CONNECTION BOX IN POWER CORD COMPT FOR THE GENERATOR RECEPTACLE (US & CA APPLICATION) |
| | RECEPTACLE 24924-02-000 | |
| J-RCP 30-US | COVER 69238-01-000 | |
| | SCREW G67-10-10B (2) | |
| J-RCP 30-CA | WIRE ASM-GROUND 133678-02-000 | |
| | 133678-04-000 | |
| | SCREW-GRND 103291-01-000 | |
| | CONNECTOR 8314-01-000 | |
| | TUBING-VINYL 8041-02-000 (150MM) | |
| | | |
| | | |
| | | |
| | | |
| | | |



LEGEND



| | |
|------------|-------------------------|
| FIRST USED | 96 MH'S |
| TITLE | DO NOT SCALE DRAWING |
| | PART LISTING-ELECTRICAL |
| SHEET 7 | PART NO 121339 |

| WIRE IDENTIFICATION CHART | | |
|---------------------------|---|--|
| CODE/COLOR | FROM: | TO: |
| A 14 YEL | GALLEY CEILING LAMP SWITCH | GALLEY CEILING LAMP |
| B 12 YEL | OVERCURRENT PROTECTION (30A BREAKER TYPICAL) | POWER PASSENGER SEAT ("BUDDY SEAT") |
| C 12 WHT | POWER PASSENGER SEAT | GROUND |
| D 14 YEL | SHOWER OVHD LAMP SWITCH SEE WIRE PF, START OF 97 | SHOWER OVHD LAMP |
| E 095038-01- | PHONE INPUT JACK | REAR PHONE JACK |
| F 095038-01- | PHONE INPUT JACK | EXTERIOR PHONE JACK |
| G 12/ 10 YEL | OVERCURRENT PROTECTION (30A BREAKER TYPICAL) | HIGH SPEED HEATER FAN (USE 10 IF OVER 6' RUN) |
| H 095038-01- | PHONE INPUT JACK | FRONT PHONE JACK |
| J 6 BLK | OVERCURRENT PROTECTION (45 OR 55A BREAKER TYP) | COACH 12V PANEL/ CONVERTER BATTERY CHARGE |
| K 6 BLK | OVERCURRENT PROTECTION (45 OR 55A BREAKER TYP) | COACH 12V PANEL |
| L 6 GRN | CONVERTER 45 OR 55 AMP | GROUND |
| M 6 BLK | OVERCURRENT PROTECTION (45 OR 50A BREAKER) | CONVERTER BATTERY CHARGE |
| N 10 WHT | REFRIGERATOR | GROUND |
| P 10YEL(BLK) | OVERCURRENT PROTECTION (20A FUSE TYPICAL) | REFRIGERATOR (3 WAY) |
| R 8 GRN | REFRIGERATOR CHASSIS | GROUND |
| S 8 OR 6 GRN | GROUND BAR (LEFT SIDE) | CHASSIS GROUND |
| T 8 OR 6 GRN | GROUND BAR (RIGHT SIDE) | CHASSIS GROUND |
| U 6 GRN | CONVERTER CHASSIS | GROUND |
| W 8 GRN | - GROUND STUD | - GROUND STUD |

| WIRE IDENTIFICATION CHART | | |
|---------------------------|---|--|
| CODE/COLOR | FROM: | TO: |
| X 14 YEL | - CHASSIS BRAKE LAMP CIRCUIT | - CENTER MOUNT BRAKE LAMP |
| Y 16 YEL | VOLUME CONTROL | RADIO/TV SPEAKER |
| Z 6 BLK | OVERCURRENT PROTECTION (45 OR 55A BREAKER TYP) | COACH 12V PANEL |
| AA 16 WHT | SERVICE ENGINE SOON LAMP | VEHICLE SERVICE ENGINE SOON LAMP CIRCUIT |
| AB 16 WHT | WATER TANK LEVEL SENSORS | GROUND |
| AC 16 WHT | MAIN HOLDING TANK SENSORS (BLACK WATER) | GROUND |
| AD 16 WHT | AUXILIARY HOLDING TANK #1 (GRAY WATER) | GROUND |
| AE 16 WHT | AUXILIARY HOLDING TANK #2 (GRAY WATER) | GROUND |
| AF 12 YEL | WATER PUMP SWITCH #1 | MONITOR PANEL WATER PUMP SWITCH |
| AG 12 YEL | WATER PUMP SWITCH #1 | MONITOR PANEL WATER PUMP SWITCH |
| AH 14 YEL | OVERCURRENT PROTECTION (10A FUSE TYPICAL) | BRAKE LAMP SWITCH WARNING LAMP (IGNITION RUN/START FED) |
| AJ 12 WHT | CHASSIS GROUND | BODY GROUND |
| AK 12 WHT | CHASSIS GROUND | BODY GROUND |
| AL 12 YEL | HEATER CONTROL (LOW SPEED) | BLOWER MOTOR (LOW SPEED) |
| AM 12YEL(WHT) | HEATER CONTROL (MEDIUM/LOW SPEED) | BLOWER MOTOR (MEDIUM/LOW SPEED) |
| AN 12 YEL | HEATER CONTROL (MEDIUM/HIGH SPEED) | BLOWER MOTOR (MEDIUM/HIGH SPEED) |
| AP 14 YEL | IGNITION SWITCH ACCESSORY FEED | OVERCURRENT PROTECTION (15A FUSE TYPICAL) |
| AR 14 WHT | HORN, FOG LAMPS | GROUND |
| AS 16 WHT | DASH RADIO | RIGHT FRONT SPEAKER (NEGATIVE) |

| WIRE IDENTIFICATION CHART | | |
|---------------------------|---|---|
| CODE/COLOR | FROM: | TO: |
| AT 16 WHT | DASH RADIO | LEFT FRONT SPEAKER (NEGATIVE) |
| AU 16 YEL | OVERCURRENT PROTECTION (15A BREAKER TYPICAL) | FRONT CARGO LAMP SWITCH (IGNITION ACCESSORY FED) |
| AW 16 YEL | FRONT CARGO LAMP SWITCH | REAR CARGO LAMP SWITCH |
| AX 16 YEL | FRONT CARGO LAMP SWITCH | REAR CARGO LAMP SWITCH |
| AY 16 YEL | REAR CARGO LAMP SWITCH | CARGO LAMPS |
| BA 14 WHT | WINDSHIELD WIPER MOTOR | GROUND |
| BB 16 YEL | OVERCURRENT PROTECTION (6A BREAKER TYPICAL) | INSTRUMENT PANEL GAUGES (IGNITION ACCESSORY FED) |
| BC 14 WHT | INDICATOR LAMPS | GROUND |
| BD 14 YEL | OVERCURRENT PROTECTION (10A FUSE TYPICAL) | BRAKE LAMP SWITCH |
| BE 12 WHT | BLOWER MOTOR | GROUND |
| BF 14 WHT | WASHER BOTTLE PUMP/HORN | GROUND |
| BG 14 YEL | FUEL SENDER | FUEL GAUGE |
| BH 14 YEL | RUN ONLY POWER RELAY | ENGINE WIRING |
| BJ 16 YEL | OVERCURRENT PROTECTION (10A FUSE TYPICAL) | ENGINE WIRING (IGNITION RUN/START FED) |
| BK 14 YEL | OVERCURRENT PROTECTION (10A FUSE TYPICAL) | HORN RELAY FEED |
| BL 16 WHT | CIGAR LIGHTER | GROUND |
| BM 16 YEL | CHASSIS BATTERY POWER | CIGAR LIGHTER |
| BN 16 YEL | ACCESSORY POWER | SPOTLAMP |
| BP 14 WHT | POWER MIRROR | GROUND |

| WIRE IDENTIFICATION CHART | | |
|---------------------------|--|---|
| CODE/COLOR | FROM: | TO: |
| BR 14 YEL | POWER MIRROR (RIGHT SIDE) | POWER MIRROR CONTROL SWITCH |
| BS 14 YEL | POWER MIRROR HEAT SWITCH | POWER MIRRORS |
| BT 14 YEL | POWER MIRROR (LEFT SIDE) | POWER MIRROR CONTROL SWITCH |
| BU 14 YEL | RUN ONLY POWER | POWER MIRROR HEAT/ CONTROL SWITCHES |
| BW 12 YEL | IGNITION SWITCH | ACCESSORY CIRCUIT FEED |
| BX 12YEL(ORN) | IGNITION SWITCH RUN ONLY SOURCE | GENERAL (TURN, BACK UP,DASH IGNITION CIRCUIT,ETC) |
| BY 12YEL/8BLK | OVERCURRENT PROTECTION (16GA FUSELINK) (8GA PASSTHRU) | CHASSIS BATTERY SOURCE(AUTO AC BLOWER,POWER DRIVER SEAT,ETC) |
| CA 12 YEL | OVERCURRENT PROTECTION (16GA FUSELINK TYPICAL) | CHASSIS BATTERY SOURCE |
| CB 12 YEL | IGNITION SWITCH START SOURCE | START CIRCUIT SOURCE |
| CC 16 YEL | ALTERNATOR | ALTERNATOR WARNING LAMP |
| CD 16 YEL | OIL PRESSURE WARNING SENDER | OIL PRESSURE WARNING LAMP |
| CE 16 YEL | WATER TEMPERATURE WARNING SENDER | WATER TEMPERATURE WARNING LAMP |
| CF 14 YEL | REAR TV JACK | POWER FEED SWITCH |
| CG 14 YEL | CLUTCH/NEUTRAL SWITCH | START ISOLATION RELAY |
| CH 14 YEL | START RELAY | ENGINE WIRING |
| CJ 14 YEL | WINDSHIELD WIPER/WASHER CONTROL SWITCH | WINDSHIELD WASHER PUMP |
| CK 16 YEL | TELEVISION | SPEAKER (POSITIVE) |
| CL 16 WHT | TELEVISION | SPEAKER (NEGATIVE) |
| CM 10 YEL | OVERCURRENT PROTECTION (15A BREAKER TYPICAL) | INVERTER FEED |

| WIRE IDENTIFICATION CHART | | |
|---------------------------|--|------------------------------------|
| CODE/COLOR | FROM: | TO: |
| CN 10 WHT | INVERTER | GROUND |
| CP 12 WHT | INVERTER CHASSIS | GROUND |
| CR 16 WHT | VEHICLE CHECK ENGINE LAMP CIRCUIT | CHECK ENGINE LAMP |
| CS 16 WHT | REMOTE THERMOSTAT (RC TERM/ORG EXPORT AIR) | GROUND |
| CT 16 YEL | DAYTIME RUNNING LAMP MODULE OUTPUT (PIN 30) | LOW BEAM HEADLAMP CIRCUIT |
| CU 16 YEL | DAYTIME RUNNING LAMP MODULE ENABLE (PIN 85) | RUN/START CIRCUIT |
| CW 14 YEL | DAYTIME RUNNING LAMP MODULE POWER (PIN 87A) | CHASSIS BATTERY POWER |
| CX 16 WHT | DAYTIME RUNNING LAMP MODULE GROUND (PIN 87) | GROUND |
| CY 16 YEL | DAYTIME RUNNING LAMP MODULE HIGH BEAM DISABLE (PIN 86) | HIGH BEAM HEADLAMP CIRCUIT |
| DA 12 YEL | SHOWER SUMP SYSTEM PUMP SWITCH | SHOWER SUMP SYSTEM PUMP |
| DB 12 WHT | SHOWER SUMP SYSTEM PUMP | GROUND |
| DC 16 YEL | REAR ROOF AIR CONDITIONER EXHAUST CIRCUIT | THERMOSTAT |
| DD 16 YEL | REAR ROOF AIR CONDITIONER COOL CIRCUIT | THERMOSTAT (Y TERM-EXPORT AIR/YEL) |
| DE 16 YEL | REAR ROOF AIR CONDITIONER HIGH SPEED FAN CIRCUIT | THERMOSTAT (H TERM-EXPORT AIR/BLU) |
| DF 16 YEL | REAR ROOF AIR CONDITIONER LOW SPEED FAN CIRCUIT | THERMOSTAT (G TERM-EXPORT AIR/RED) |
| DG 12YEL (GRY) | IGNITION SWITCH | ACCESSORY/RUN FEED |
| DH 14 YEL | EMERGENCY SHUTDOWN GAUGE | FUEL SOLENOID (DIESEL ENGINE) |
| DJ 16 YEL | TV/RADIO SPEAKER SWITCHING RELAY OUTPUT | LEFT REAR SPEAKER POSITIVE |
| DK 16 WHT | TV/RADIO SPEAKER SWITCHING RELAY OUTPUT | LEFT REAR SPEAKER NEGATIVE |

| WIRE IDENTIFICATION CHART | | |
|---------------------------|---|---|
| CODE/COLOR | FROM: | TO: |
| DL 16 YEL | TV/RADIO SPEAKER SWITCHING RELAY OUTPUT | RIGHT REAR SPEAKER POSITIVE |
| DM 16 WHT | TV/RADIO SPEAKER SWITCHING RELAY OUTPUT | RIGHT REAR SPEAKER NEGATIVE |
| DN 10 YEL | BATTERY DISCONNECT RELAY | CIRCUIT BREAKER SLIDEOUT ROOM CIRCUIT BRKR |
| DP 14 YEL | TV/RADIO SPEAKER FEED SELECT SWITCH | TV/RADIO SPEAKER SWITCHING RELAY COIL INPUT OR AMPLIFIER |
| DR 16 YEL | HWH WIRING OR KWIKEE FRONT SLIDE MODULE | SLIDEOUT SWITCH (ROOM ONE EXTEND) |
| DS 16 WHT | CONTROL MODULE (FRONT SLIDE) (GROUND) | SLIDEOUT SWITCH (FRONT SLIDEOUT) |
| DT 16 YEL | SLIDEOUT ROOM RELAY (PIN 30) | SLIDEOUT ROOM CONTROL SWITCH |
| DU 16 YEL | HWH WIRING OR KWIKEE FRONT SLIDE MODULE | SLIDEOUT SWITCH (ROOM ONE RETRACT) |
| DW 16 WHT | SLIDEOUT ROOM SWITCH (G) (SWITCHED GROUND TO PUMP) | HWH WIRING (SWITCHED GROUND TO PUMP) |
| DX 16 WHT | HWH WIRING (G) (GROUND) | SLIDEOUT ROOM SWITCH (GROUND) |
| DY 16 WHT | HWH WIRING (G) (JACK SENSE; SWITCHED GROUND) | SLIDEOUT ROOM RELAY (JACK SENSE; SWITCHED GROUND) |
| EA 16 YEL | HWH WIRING (G) (ACCESSORY POWER) | SLIDEOUT ROOM RELAY (ACCESSORY POWER) |
| EB 16 YEL | SLIDEOUT ROOM RELAY (G) (SWITCHED ACCESSORY POWER) | FRT/RR SLIDEOUT ROOM SWITCH (SWITCHED EXTEND/RETRACT PWR) |
| EC 10 YEL | CHASSIS BATTERY POWER SOURCE (BATTERY MODE SOLENOID POST) | THRU FUSE TO AMP SOURCE SELECT RELAY (PIN 87) (OPTION 21V,95 Q) |
| ED 10 YEL | COACH BATTERY POWER SOURCE (BATTERY MODE SOLENOID POST) | THRU FUSE TO AMP SOURCE SELECT RELAY (PIN 87A) (OPTION 21V,95Q) |
| EE 16 YEL | AIR RIDE SUSPENSION LEFT DOWN SWITCH POSITION | AIR RIDE SUSPENSION LEFT HEIGHT CONTROL BOX |
| EF 16 YEL | AIR RIDE SUSPENSION LEFT UP SWITCH POSITION | AIR RIDE SUSPENSION LEFT HEIGHT CONTROL BOX |
| EG 16 WHT | AIR RIDE SUSPENSION WIRE ASM GROUND | AIR RIDE SUSPENSION CONTROL LAMP GROUNDS |
| EH 16 YEL | AIR RIDE SUSPENSION RIGHT DOWN SWITCH POSITION | AIR RIDE SUSPENSION RIGHT HEIGHT CONTROL BOX |

| WIRE IDENTIFICATION CHART | | |
|---------------------------|--|--|
| CODE/COLOR | FROM: | TO: |
| EJ 16 YEL | AIR RIDE SUSPENSION RIGHT UP SWITCH POSITION | AIR RIDE SUSPENSION RIGHT HEIGHT CONTROL BOX |
| EK 16 YEL | AIR RIDE SUSPENSION AUTO MODE SWITCH POSITION | AIR RIDE SUSPENSION HEIGHT CONTROL BOXES |
| EL 16 YEL | RUN ONLY POWER | AIR RIDE SUSPENSION AUTO/MANUAL MODE SWITCH |
| EM 16 YEL | AIR RIDE SUSPENSION COMPRESSOR | COMPRESSOR ON WARNING LAMP |
| EN 16 YEL | AIR RIDE SUSPENSION MANUAL MODE SWITCH POSITION | LEVEL CONTROL SWITCHES AND INDICATOR LAMP |
| EP 14 YEL | OVERCURRENT PROTECTION (15A BREAKER TYPICAL) | SPOTLAMP |
| ER 16 YEL | OVERCURRENT PROTECTION (6A BREAKER TYPICAL) | ELECTRIC STEP KILL SWITCH |
| ES 16 YEL | ELECTRIC STEP KILL SWITCH | ELECTRIC STEP |
| ET 16 YEL | OVERCURRENT PROTECTION (6A BREAKER TYPICAL) | REFRIGERATOR (2 WAY) |
| EU 16 WHT | REFRIGERATOR (2 WAY) | GROUND |
| EW 14 YEL | FUEL HEATER SWITCH | FUEL HEATER (DIESEL ENGINE) |
| EX 14 YEL | TELEVISION POWER SWITCH | TELEVISION WALL PLATE |
| EY 12YELLTBLU | OVERCURRENT PROTECTION (16GA FUSELINK TYPICAL) | IGNITION SWITCH FEED #2 |
| FA 14 YEL | DRIVER'S DOOR PASSENGER SIDE POWER WINDOW SWITCH(DOWN,PIN2) | PASSENGER'S POWER WINDOW SWITCH(PIN 2) |
| FB 14 YEL | DRIVER'S DOOR PASSENGER SIDE POWER WINDOW SWITCH(UP,PIN 4) | PASSENGER'S POWER WINDOW SWITCH(PIN 4) |
| FC 14 YEL | PASSENGER'S DOOR POWER WINDOW SWITCH(DOWN,PIN 1) | PASSENGER'S DOOR POWER WINDOW MOTOR(DOWN) |
| FD 14 YEL | PASSENGER'S DOOR POWER WINDOW SWITCH(UP,PIN 5) | PASSENGER'S DOOR POWER WINDOW MOTOR(UP) |
| FG 10 YEL | AMPLIFIER POWER SOURCE SELECT RELAY (PIN 30) | AMPLIFIER POWER FEED (DELUXE SOUND SYSTEM,95 LUXOR) |
| FH 10 WHT | AMPLIFIER (DELUXE SOUND SYSTEM,95 LUXOR) | GROUND |

| WIRE IDENTIFICATION CHART | | |
|---------------------------|--|--|
| CODE/COLOR | FROM: | TO: |
| FJ 12 YEL | WATER PUMP SWITCH #2 (THREE SWITCH SYSTEM) | WATER PUMP SWITCH #1 (THREE SWITCH SYSTEM) |
| FK 12 YEL | WATER PUMP SWITCH #2 (THREE SWITCH SYSTEM) | WATER PUMP SWITCH #1 (THREE SWITCH SYSTEM) |
| FL 14 YEL | SECOND PORCH LAMP SWITCH | SECOND PORCH LAMP |
| FM 14 WHT | SOLENOID MOUNTING BOLT | GROUND |
| FN 16 YEL | SOURCE SELECTOR SWITCH (DELUXE SOUND SYSTEM,95 LUXOR) | AMP & EQUALIZER REMOTE TRIGGER (DELUXE SOUND SYSTEM,95 LUXOR) |
| FP 16 YEL | EXHAUST BRAKE SWITCH (DIESEL PUSHER CHASSIS) | CHASSIS EXHAUST BRAKE HARNESS & BRAKE ON DASH INDICATOR LAMP |
| FR 14 YEL | FORD RUN/ACCESSORY IGNITON CIRCUIT(WHT/PUR,10A FUSED) | DOCKING LAMPS, RELAY TRIGGER, REAR MONITOR CAMERA FEED |
| FS 14 YEL | DOCKING LAMPS RELAY(PIN 87) | DOCKING LAMPS |
| FT 14 WHT | DOCKING LAMPS | GROUND |
| FU 14 YEL | AUTOMOTIVE AIR WIRING | FORD A/C COMPRESSOR CLUTCH SWITCH CIRCUIT |
| FW 14 YEL | DOCKING LAMPS SWITCH | DOCKING LAMPS RELAY(PIN 30) |
| FX 12 YEL | OVERCURRENT PROTECTION (30A BRKR OR FUSE) | POWER DRIVER SEAT (I.E.,6 WAY) |
| FY 12 WHT | POWER DRIVER SEAT (I.E.,6 WAY) | GROUND |
| GA 14 YEL | WATER SYSTEM WINTERIZATION SWITCH | WINTERIZATION VALVE |
| GB 14 YEL | WATER HEATER BYPASS SWITCH | WATER HEATER BYPASS VALVE |
| GC 16 YEL | SLIDEOUT ROOM SPDT SWITCH (M) (SWITCHED WIRE) | HHW WIRING (SWITCHED WIRE) |
| GD 16 YEL | WIPER CONTROL MODULE | WIPER MOTOR (S TERMINAL) |
| GE 16 YEL | SWITCHED DOME LAMP FEED | DOME LAMP |
| GF 16 WHT | COMMON REAR CHANNEL SPEAKER RETURN | REAR SPEAKERS |

| WIRE IDENTIFICATION CHART | | |
|---------------------------|---|---|
| CODE/COLOR | FROM: | TO: |
| GG 16 YEL | RADIO REMOTE TRIGGER (DELUXE SOUND OPTION) | SOURCE SELECTOR SWITCH (LUXOR) |
| GH 14 WHT | GLOW PLUG WAIT LAMP (DIESEL ENGINE) | ENGINE SENDER |
| GJ 16 YEL | COACH BATTERY POWER (UPSTREAM OF DISCONNECT) | LP DETECTOR AND/OR SOLAR PANEL WIRING OVERCURRENT PROTECTION |
| GK 14 YEL | AIR HORN SWITCH | CHASSIS HORN |
| GL 16 WHT | WATER/HOLDING TANKS LEVEL SENSORS | GROUND |
| GM 16 YEL | JET AIR RIDE SUSPENSION PRESSURE SENSORS | CHECK REAR AIR SUSPENSION DASH WARNING LAMP |
| GN 16 YEL | REAR TV SPEAKER OUTPUT (POSITIVE) | REAR TV SPEAKER (POSITIVE) |
| GP 16 WHT | REAR TV SPEAKER OUTPUT (NEGATIVE) | REAR TV SPEAKER (NEGATIVE) |
| GR 14 YEL | THERMOSTATICALLY CONTROLLED ROOF VENT (SEND) | THERMOSTAT (RETURN) |
| GS 14 YEL | THERMOSTATICALLY CONTROLLED ROOF VENT (RETURN) | THERMOSTAT (RETURN) |
| GT 16 YEL | RADIO POWER SWITCH (MEMORY FEED) | RADIO (MEMORY FEED) |
| GU 16 YEL | DEFOG MODULE OUTPUT | DEFOG RELAY, INDICATOR LAMP |
| GW 16 WHT | DEFOG SWITCH ON/OFF | DEFOG MODULE ON/OFF |
| GX 16/12 WHT | STEP COVER SWITCH (REF AAA-16/KA-12) | GROUND |
| GY 12 YEL | DEFOG RELAY | DEFOG UNIT |
| HA 14 YEL | READING LAMPS SWITCH (93 VANS) | READING LAMPS |
| HB 14 YEL | "MOOD" LAMPS SWITCH (93 VANS) | "MOOD" LAMPS |
| HC 14 YEL | 12V POWER SOURCE (93 VANS) | OVERCURRENT PROTECTION (15A FUSE TYPICAL) |
| HD 14 YEL | SOFA SLIDE MOTOR POSITIVE (94 VANS) | SOFA MONOPLEX CONTROLLER |

| WIRE IDENTIFICATION CHART | | |
|---------------------------|--|---|
| CODE/COLOR | FROM: | TO: |
| HE 14 WHT | SOFA SLIDE MOTOR NEGATIVE (94 VANS) | SOFA MONOPLEX CONTROLLER |
| HF 14 YEL | SOFA RECLINE MOTOR POSITIVE (94 VANS) | SOFA MONOPLEX CONTROLLER |
| HG 14 WHT | SOFA RECLINE MOTOR NEGATIVE (94 VANS) | SOFA MONOPLEX CONTROLLER |
| HH 16 YEL | SOFA MONOPLEX SWITCH (94 VANS) | SOFA MONOPLEX CONTROLLER |
| HJ 16 WHT | SOFA MONOPLEX SWITCH (94 VANS) | GROUND |
| HK 14 WHT | SOFA MONOPLEX CONTROLLER (94 VANS) | GROUND |
| HL 14 YEL | FLOOD LAMP SWITCH (94 VANS) | FLOOD LAMP |
| HM 16 YEL | REAR TV SPEAKER OUTPUT (POSITIVE) | REAR TV SPEAKER (POSITIVE) |
| HN 16 WHT | REAR TV SPEAKER OUTPUT (NEGATIVE) | REAR TV SPEAKER (NEGATIVE) |
| HP 16 YEL | OVERCURRENT PROTECTION (94 VANS) | REAR AC |
| HR 14 YEL | SWITCH (94 1200 MODEL VAN) | 12VOLT RECEPTACLE |
| HS 16 YEL | SOLAR PANEL (1HS INDICATOR TO BATTERY) | COACH BATTERY THRU OVERCURRENT PROTECTION |
| HT 16 WHT | SOLAR PANEL (1HT INDICATOR TO GROUND) | GROUND |
| HU 16 YEL | GENERATOR SWITCH (LED) | GENERATOR (POSITION B) |
| HW 16 YEL | LICENSE PLATE LAMP FEED | LICENSE PLATE LAMP |
| HX 16 YEL | CHASSIS CLEARANCE LAMP CRT #2 | CLEARANCE/MARKER LAMPS |
| HY 12 WHT | DEFOG UNIT | GROUND |
| JA 14 YEL | OVERCURRENT PROTECTION (15A FUSE/BREAKER TYPICAL) | WATER PUMP, MONITOR PANEL, ETC ("CLEAN CIRCUIT", REF JP) |
| JB 14 YEL | OVERCURRENT PROTECTION (15A FUSE/BREAKER TYPICAL) | FURNACE, ROOF VENT, ETC (REF JM) |

| WIRE IDENTIFICATION CHART | | |
|---------------------------|--|--|
| CODE/COLOR | FROM: | TO: |
| JC 14 YEL | OVERCURRENT PROTECTION (15A FUSE/BREAKER TYPICAL) | COACH LIGHTING, ETC CIRCUIT #1 (REF NC) |
| JD 14 YEL | OVERCURRENT PROTECTION (15A FUSE/BREAKER TYPICAL) | COACH LIGHTING, ETC CIRCUIT #2 (REF ND) |
| JE 14 YEL | OVERCURRENT PROTECTION (15A FUSE/BREAKER TYPICAL) | COACH LIGHTING, ETC CIRCUIT #3 (REF NE) |
| JF 14 YEL | OVERCURRENT PROTECTION (15A FUSE/BREAKER TYPICAL) | COACH LIGHTING, ETC CIRCUIT #4 (REF NF) |
| JG 14 YEL | OVERCURRENT PROTECTION (15A FUSE/BREAKER TYPICAL) | COACH LIGHTING, ETC (ALT CLEAN) CIRCUIT #5 (REF JN) |
| JH 14 YEL | MAIN FURNACE (12V POWER) | MAIN FURNACE THERMOSTAT |
| JJ 14 YEL | MAIN FURNACE (HEAT) | MAIN FURNACE THERMOSTAT |
| JK 14 YEL | AUXILIARY FURNACE | AUXILIARY FURNACE THERMOSTAT |
| JL 14 YEL | AUXILIARY FURNACE | AUXILIARY FURNACE THERMOSTAT |
| JM 14 WHT | MAIN FURNACE | GROUND |
| JN 14 WHT | COACH LIGHTING CIRCUIT #5 (REF JG) | GROUND (ALTERNATE CLEAN CIRCUIT FOR LINEAR CONVERTER) |
| JP 14 WHT | "CLEAN CIRCUIT" DEVICES (REF JA) | GROUND |
| JR 16 YEL | MONITOR PANEL | LP TANK #2 LEVEL SENSOR |
| JS 12 YEL | MONITOR PANEL WATER PUMP SWITCH | WATER PUMP |
| JT 16 YEL | MONITOR PANEL | LP TANK #1 LEVEL SENSOR |
| JU 14 YEL | MONITOR PANEL WATER HEATER SWITCH | WATER HEATER (BLU) |
| JW 14 YEL | MONITOR PANEL WATER HEATER SWITCH | WATER HEATER (BRN) |
| JX 14 WHT | WATER HEATER | GROUND |
| JY 12 WHT | WATER PUMP | GROUND |

| WIRE IDENTIFICATION CHART | | |
|---------------------------|--|--|
| CODE/COLOR | FROM: | TO: |
| KA 12 YEL | OVERCURRENT PROTECTION (25A BREAKER TYPICAL) | ELECTRIC STEP BATTERY POWER |
| KB 10 YEL | OVERCURRENT PROTECTION (25A BREAKER TYPICAL) | ELECTRIC STEP KILL SWITCH (OLD STEP WIRING STYLE) |
| KC 10 YEL | ELECTRIC STEP KILL SWITCH (OLD STEP WIRING STYLE) | ELECTRIC STEP |
| KD 18 WHT | ELECTRIC STEP DOOR JAMB SWITCH | ELECTRIC STEP |
| KE 14 YEL | RUN ONLY POWER SOURCE | GENERAL PURPOSE (RELAY TRIGGER, REAR AUTO HTR, DRL, MONITOR, ETC) |
| KF 16 WHT | COACH BATTERY DISCONNECT RELAY SWITCH | GROUND |
| KG 14 YEL | POWER LIFT VENT (BLU) | POWER LIFT SWITCH (UP) |
| KH 14 YEL | POWER LIFT VENT (RED) | POWER LIFT SWITCH (DOWN) |
| KJ 14 YEL | POWER LIFT VENT (BLK) | FAN SWITCH |
| KK 16 YEL | REAR STEREO | RIGHT SPEAKER (POSITIVE) |
| KL 16 WHT | REAR STEREO | RIGHT SPEAKER (NEGATIVE) |
| KM 14 YEL | POWER LIFT VENT LAMP | LAMP SWITCH |
| KN 16 YEL | REAR STEREO | LEFT SPEAKER (POSITIVE) |
| KP 16 WHT | REAR STEREO | LEFT SPEAKER (NEGATIVE) |
| KR 14 WHT | REAR STEREO ANTENNA | GROUND |
| KS 14 YEL | REAR AUTO HEATER SWITCH (HIGH SPEED) | REAR AUTO HEATER |
| KT 14 YEL | REAR AUTO HEATER SWITCH (MEDIUM SPEED) | REAR AUTO HEATER |
| KU 14 YEL | REAR AUTO HEATER SWITCH (LOW SPEED) | REAR AUTO HEATER |
| KW 16 YEL | DASH RADIO | RIGHT FRONT SPEAKER (POSITIVE) |

| WIRE IDENTIFICATION CHART | | |
|---------------------------|--|---|
| CODE/COLOR | FROM: | TO: |
| KX 16 YEL | DASH RADIO | RIGHT REAR SPEAKER (POSITIVE) |
| KY 16 YEL | DASH RADIO | LEFT FRONT SPEAKER (POSITIVE) |
| LA 16 YEL | DASH RADIO | LEFT REAR SPEAKER (POSITIVE) |
| LB 16 WHT | DASH RADIO | RIGHT REAR SPEAKER (NEGATIVE) |
| LC 16 WHT | DASH RADIO | LEFT REAR SPEAKER (NEGATIVE) |
| LD 14 YEL | IGNITION SWITCH ACCESSORY POWER SOURCE | GENERAL PURPOSE(AUX FANS,RELAY TRIGGER,ETC.) |
| LE 14 YEL | AUXILIARY DEFROST FANS SWITCH (HIGH SPEED) | AUXILIARY DEFROST FANS (BLK) |
| LF 14 YEL | AUXILIARY DEFROST FANS SWITCH (LOW SPEED) | AUXILIARY DEFROST FANS (RED) |
| LG 16 YEL | COACH BATTERY DISCONNECT RELAY (TERMINAL I) | COACH BATTERY DISCONNECT RELAY SWITCH |
| LH 16 YEL | COACH BATTERY DISCONNECT RELAY (TERMINAL S) | COACH BATTERY DISCONNECT RELAY SWITCH |
| LJ 16 YEL | COACH BATTERY DISCONNECT RELAY BATTERY SIDE FUSE FEED | COACH BATTERY DISCONNECT RELAY SWITCH |
| LK 16 YEL | COACH BATTERY DISCONNECT RELAY LOAD SIDE FUSE FEED | COACH BATTERY DISCONNECT RELAY SWITCH/INDICATOR LAMP |
| LL 16 WHT | GENERATOR SWITCH (START) | GENERATOR (RED) |
| LM 16 WHT | GENERATOR SWITCH (STOP) | GENERATOR (ORN) |
| LN 16 WHT | GENERATOR SWITCH/INDICATOR (GROUND) | GENERATOR (GRN) |
| LP 16 YEL | GENERATOR SWITCH/INDICATOR (RUN) | GENERATOR (BLU) |
| LR 14 YEL | BATTERY MODE SWITCH (AUX START SWITCH) | BATTERY MODE SOLENOID (AUX START SOLENOID) |
| LS 12 YEL | OVERCURRENT PROTECTION 20A BREAKER TYPICAL,COACH FEED | GENERAL PURPOSE(BATTERY MODE, RADIO POWER,BATTERY CONDITION) |
| LT 16 YEL | BATTERY CONDITION SWITCH | VOLTMETER (POWER FEED) |

| WIRE IDENTIFICATION CHART | | |
|---------------------------|--|---|
| CODE/COLOR | FROM: | TO: |
| LU 14 YEL | CHASSIS BRAKE LAMP CIRCUIT | VEHICLE BRAKES, TAG AXLE CONTROL MODULE,ETC. |
| LW 14 YEL | WIPER CONTROL MODULE (PARK) | WINDSHIELD WIPER MOTOR (FRONT) |
| LX 14 YEL | WIPER CONTROL MODULE (LOW SPEED) | WINDSHIELD WIPER MOTOR (FRONT) |
| LY 14 YEL | WIPER CONTROL MODULE (HIGH SPEED) | WINDSHIELD WIPER MOTOR (FRONT) |
| MA 14 YEL | WIPER CONTROL MODULE (WASHER BOTTLE PUMP) | WINDSHIELD WASHER BOTTLE PUMP (FRONT) |
| MB 14 YEL | CHASSIS WINDSHIELD WIPER FEED CIRCUIT | OVERCURRENT PROTECTION (6A BREAKER TYPICAL) |
| MC 16 WHT | INSTRUMENT PANEL LAMPS | GROUND |
| MD 14 YEL | OVERCURRENT PROTECTION (15A BREAKER TYPICAL) | REMOTE MIRROR RELAY/POWER WINDOW FEED |
| ME 14 YEL | OVERCURRENT PROTECTION (15A BREAKER TYPICAL) | AIR HORN RELAY FEED/ MARKER LAMPS RELAY FEED |
| MF 14 YEL | OVERCURRENT PROTECTION (15A BREAKER TYPICAL) | FOG LAMP RELAY FEED/ SPOT LAMP FEED |
| MG 14 WHT | GENERAL PURPOSE(RELAYS,DASH DEVICES,ETC.) | GROUND |
| MH 16 WHT | CHASSIS CHOKE LAMP INDICATOR CIRCUIT | CHOKE LAMP |
| MJ 14 YEL | CHASSIS WINDSHIELD WIPER FEED CIRCUIT | WIPER CONTROL MODULE (POWER FEED) |
| MK 14 YEL | CHASSIS BATTERY POWER FEED CIRCUIT | GENERAL PURPOSE(CIGAR LIGHTER, DOME/COURTESY LAMPS,ETC) |
| ML 16 YEL | CHASSIS INSTRUMENT PANEL LAMPS FEED CIRCUIT | INSTRUMENT PANEL LAMPS |
| MM 14 YEL | CHASSIS CLEARANCE LAMP CRT #1 (BRN TYPICAL) | CLEARANCE/MARKER LAMPS |
| MN 14 WHT | DOME LAMP SWITCHED GROUND | DOME LAMP SWITCH(DOOR JAMB, INSTRUMENT PANEL SWITCH,ETC) |
| MP 18/16 WHT | ELEC STEP DOOR JAMB SWITCH, LP TANK SENDER, ETC | GROUND |
| MR 14 YEL | REAR WINDOW WIPER SWITCH (LOW SPEED) | REAR WINDOW WIPER MOTOR (LOW SPEED) |

| CODE/COLOR | FROM: | WIRE IDENTIFICATION CHART TO: |
|--------------|--|-------------------------------------|
| MS 14 WHT | CLEARANCE/MARKER LAMPS | GROUND |
| MT 8 WHT | ELECTRIC STEP | GROUND |
| MU 14 WHT | GENERAL PURPOSE (CIGAR LIGHTER, DOME LAMPS, 12 V OUTLETS, ETC) | GROUND |
| MW 16 YEL | VEHICLE CHECK ENGINE LAMP CIRCUIT | CHECK ENGINE LAMP |
| MX 16 YEL | WINDSHIELD WIPER SWITCH | WIPER RELAY |
| MY 14 YEL | VEHICLE HEADLAMP FEED CIRCUIT | DIMMER MODULE |
| NA 14 YEL | VEHICLE HEADLAMP LOW BEAM CIRCUIT | DIMMER MODULE |
| NB 14 YEL | VEHICLE HEADLAMP HIGH BEAM CIRCUIT | DIMMER MODULE |
| NC 14 WHT | COACH LIGHTING CIRCUIT #1 (REF JC) | GROUND |
| ND 14 WHT | COACH LIGHTING CIRCUIT #2 (REF JD) | GROUND |
| NE 14 WHT | COACH LIGHTING CIRCUIT #3 (REF JE) | GROUND |
| NF 14 WHT | COACH LIGHTING CIRCUIT #4 (REF JF) | GROUND |
| NG 16 YEL | FOG LAMPS SWITCH | FOG LAMPS RELAY |
| NH 14 YEL | FOG LAMPS RELAY | FOG LAMPS |
| NJ 16 YEL | CHASSIS HORN FEED CIRCUIT | AIR HORN SWITCH |
| NK 14 YEL | AIR HORN SWITCH | AIR HORN AIR TANK AIR RELEASE VALVE |
| NL 14 YEL | AR HORN RELAY | AIR HORN AIR COMPRESSOR |
| NM 14 YEL | OVERCURRENT PROTECTION (15A FUSE TYPICAL) | COACH LIGHTING CIRCUIT #6 (REF PM) |
| NN 16 YEL | LEFT POWER MIRROR MOTOR (HORIZONTAL CONTROL, YEL) | POWER MIRROR CONTROL SWITCH |

| CODE/COLOR | FROM: | WIRE IDENTIFICATION CHART TO: |
|--------------|---|-------------------------------|
| NR 16 YEL | LEFT POWER MIRROR (VERTICAL CONTROL, WHT) | POWER MIRROR CONTROL SWITCH |
| NS 14 YEL | POWER MIRROR HEATER SWITCH | POWER MIRRORS (RED) |
| NT 14 YEL | POWER MIRROR RELAY | POWER MIRROR CONTROL SWITCH |
| NU 14 YEL | AISLE LAMPS SWITCH #1 | AISLE LAMPS SWITCH #2 |
| NW 14 YEL | FRONT COMPARTMENT LAMPS SWITCH | COMPARTMENT LAMPS |
| NX 14 YEL | INTERSTATE COMMERCE COMMITTEE COURTESY BLINK SWITCH | CLEARANCE LAMPS |
| NY 14 YEL | AISLE LAMPS SWITCH #1 | AISLE LAMPS SWITCH #2 |
| PA 14 WHT | REAR AUTO HEATER | GROUND |
| PB 14 WHT | REAR WINDOW WIPER MOTOR | GROUND |
| PC 14 YEL | BEDROOM CEILING LAMP SWITCH | BEDROOM CEILING LAMP |
| PD 14 YEL | MAKE UP LAMP #1 SWITCH | MAKE UP LAMP #1 |
| PE 14 YEL | BATH CEILING LAMP SWITCH | BATH CEILING LAMP |
| PF 14 YEL | SHOWER LAMP SWITCH WIRE D WAS FIRST USED ON C'S | SHOWER LAMP |
| PG 14 YEL | WARDROBE LAMP SWITCH | WARDROBE LAMP |
| PH 14 YEL | AISLE LAMPS SWITCH | AISLE LAMPS |
| PJ 14 YEL | PORCH LAMP SWITCH | PORCH LAMP |
| PK 14 YEL | STRIP LAMP SWITCH | STRIP LAMP |
| PL 14 YEL | FRONT CEILING LAMP SWITCH | FRONT CEILING LAMP |
| PM 14 WHT | COACH LIGHTING CIRCUIT #6 (REF NM) | GROUND |

| WIRE IDENTIFICATION CHART | | |
|---------------------------|---|--|
| CODE/COLOR | FROM: | TO: |
| PN 16 WHT | RIGHT POWER MIRROR (COMMON, BLK) | POWER MIRROR CONTROL SWITCH |
| PP 16 YEL | RIGHT POWER MIRROR (HORIZONTAL CONTROL, YEL) | POWER MIRROR CONTROL SWITCH |
| PR 16 YEL | RIGHT POWER MIRROR (VERTICAL CONTROL, WHT) | POWER MIRROR CONTROL SWITCH |
| PS 14 YEL | MAP LAMP SWITCH | MAP LAMP |
| PT 14 YEL | BEVERAGE TRAY LAMP SWITCH | BEVERAGE TRAY LAMP |
| PU 14 YEL | DUMP LAMP SWITCH | DUMP LAMP |
| PW 14 YEL | OVERCURRENT PROTECTION (15A BREAKER TYPICAL) | POWER DOOR LOCK/UNLOCK RELAY (PIN 30) |
| PX 16 YEL | POWER DOOR LOCK SWITCH (LOCK) (PIN 1) | POWER DOOR LOCK RELAY (PIN 86) |
| PY 16 YEL | POWER DOOR LOCK SWITCH (UNLOCK) (PIN 5) | POWER DOOR UNLOCK RELAY (PIN 86) |
| RA 14 YEL | VEHICLE LEFT FRONT TURN SIGNAL CIRCUIT | LEFT FRONT TURN SIGNAL/MARKER LAMP |
| RB 14 YEL | VEHICLE RIGHT FRONT TURN SIGNAL CIRCUIT | RIGHT FRONT TURN SIGNAL/MARKER LAMP |
| RC 14 WHT | FRONT AUTOMOTIVE LAMPS (TURN, MARKER, ETC) | GROUND |
| RD 14 YEL | OVERCURRENT PROTECTION (15 A FUSE TYPICAL) | HAZARD FLASHER, HORN RELAY |
| RE 12 YEL | RADIATOR FAN RELAY#1 (COMMON) | RADIATOR FAN #1 |
| RF 12 YEL | RADIATOR FAN RELAY #2 (COMMON) | RADIATOR FAN #2 |
| RG 14 WHT | RADIATOR FAN THERMOSTAT SWITCH | RADIATOR FAN RELAYS (COILS, TRIGGER) |
| RH 12YEL (BLK) | OVERCURRENT PROTECTION (25A BREAKER TYPICAL) | RADIATOR FAN RELAY #1 (NORMALLY OPEN) |
| RJ 12YEL (BLK) | OVERCURRENT PROTECTION (25A BREAKER TYPICAL) | RADIATOR FAN RELAY #2 (NORMALLY OPEN) |
| RK 12 WHT | RADIATOR FAN #1 | GROUND |

| WIRE IDENTIFICATION CHART | | |
|---------------------------|--|---|
| CODE/COLOR | FROM: | TO: |
| RL 12 WHT | RADIATOR FAN #2 | GROUND |
| RM 14 WHT | VEHICLE IGNITION SWITCH GROUND DURING START CIRCUIT | BULB CHECK (LOW TAG AIR, PARK BRAKE, ETC) |
| RN 14 YEL | AUTOMOTIVE AIR CONDITIONER THERMOSTAT CUTOFF SWITCH | AUTOMOTIVE AIR CONDITIONER COMPRESSOR CLUTCH |
| RP 14 YEL | AUTOMOTIVE AIR CONDITIONER COOLANT FAN CONTROL | COOLANT FAN RELAY |
| RR 14 YEL | BRAKE LAMP SWITCH | TURN SIGNAL SWITCH |
| RS 14 YEL | HEADLAMP SWITCH INSTRUMENT PANEL LAMP FEED SWITCH | OVERCURRENT PROTECTION (5A FUSE TYPICAL) |
| RT 14 YEL | HORN RELAY (COMMON) | HORN |
| RU 14 YEL | HORN RELAY (COIL) | HORN SWITCH |
| RW 14 YEL | HAZARD FLASHER | TURN SIGNAL SWITCH |
| RX 14 YEL | EUL WARNING LAMP | EUL MODULE |
| RY 14 WHT | INSTRUMENT CLUSTER/ EUL MODULE | GROUND |
| SA 14 YEL | ENGINE WATER TEMPERATURE SENDER | ENGINE WATER TEMPERATURE GAUGE |
| SB 14 YEL | ENGINE OIL PRESSURE SENDER | ENGINE OIL PRESSURE GAUGE |
| SC 14 YEL | VEHICLE RIGHT REAR TURN SIGNAL/BRAKE LAMP CIRCUIT | RIGHT REAR TURN SIGNAL/ BRAKE LAMPS |
| SD 14 YEL | VEHICLE LEFT REAR TURN SIGNAL/BRAKE LAMP CIRCUIT | LEFT REAR TURN SIGNAL/ BRAKE LAMPS |
| SE 16YEL (WHT) | SPEED SENSOR (TWISTED PAIR) | SPEEDOMETER AND SPEED CONTROL MODULE |
| SF 16WHT (BLK) | SPEED SENSOR (TWISTED PAIR) | SPEEDOMETER AND SPEED CONTROL MODULE |
| SG 14 YEL | IGNITION SWITCH START FEED | GENERAL (NEUTRAL SAFETY SWITCH, FUEL PUMP RELAY COIL, ETC) |
| SH 14 YEL | IGNITION SWITCH RUN/START FEED | GENERAL (IGNITION COIL RELAY NORMALLY OPEN CONTACT, ETC) |

| WIRE IDENTIFICATION CHART | | |
|---------------------------|---|--|
| CODE/COLOR | FROM: | TO: |
| SJ 12YEL(BLK) | OVERCURRENT PROTECTION (16GA FUSELINK TYPICAL) | CHASSIS BATTERY FEED |
| SK 12YEL(WHT) | OVERCURRENT PROTECTION (16GA FUSELINK TYPICAL) | CHASSIS BATTERY HEADLAMP SWITCH FEED #1 |
| SL 12YEL(BLU) | OVERCURRENT PROTECTION (16GA FUSELINK TYPICAL) | CHASSIS BATTERY IGNITION SWITCH FEED #1 |
| SM 12YEL(BLK) | OVERCURRENT PROTECTION (16GA FUSELINK TYPICAL) | RADIATOR FAN #1 CIRCUIT BREAKER FEED |
| SN 12YEL(BLK) | OVERCURRENT PROTECTION (16GA FUSELINK TYPICAL) | RADIATOR FAN #2 CIRCUIT BREAKER FEED |
| SP 14 YEL | HEADLAMP SWITCH MARKER CIRCUIT FEED | OVERCURRENT PROTECTION (15A FUSE TYPICAL) |
| SR 12YEL(BRN) | IGNITION SWITCH RUN ONLY FEED | OVERCURRENT PROTECTION (15A FUSE TYPICAL) |
| SS 12YEL(WHT) | IGNITION SWITCH ACCESSORY FEED | OVERCURRENT PROTECTION (15A FUSE TYPICAL) |
| ST 14 YEL | OVERCURRENT PROTECTION (15A FUSE TYPICAL) | TURNS/BACK UP CIRCUIT FEED |
| SU | STARTER SOLENOID BATTERY TERMINAL | ALTERNATOR BATTERY TERMINAL |
| SW 14 YEL | TURN SIGNAL FLASHER | TURN SIGNAL SWITCH |
| SX 14 YEL | REAR WINDOW WASHER SWITCH | REAR WINDOW WASHER BOTTLE PUMP |
| SY 14 YEL | IGNITION COIL | TACHOMETER |
| TA 14 YEL | OVERCURRENT PROTECTION (15A FUSE TYPICAL) | IGNITION RUN ONLY GENERAL FEED (RADIATOR FAN RELAY COIL,ETC) |
| TB 12 YEL | OVERCURRENT PROTECTION (25A FUSE TYPICAL) | IGNITION RUN ONLY GENERAL FEED (AUTO AC BLOWER (NOT HIGH) ,ETC) |
| TC 14 YEL | OVERCURRENT PROTECTION (15A FUSE TYPICAL) | IGNITION RUN ONLY GENERAL FEED (DOOR LOCKS, REAR WIPER, ETC.) |
| TD 14 YEL | OVERCURRENT PROTECTION (15A FUSE TYPICAL) | CHASSIS BATTERY GENERAL FEED |
| TE 16 WHT | GENERATOR | GENERATOR LOW OIL INDICATOR LAMP |
| TF 16 YEL | GENERATOR | GENERATOR LOW OIL INDICATOR LAMP |

| WIRE IDENTIFICATION CHART | | |
|---------------------------|--|---|
| CODE/COLOR | FROM: | TO: |
| TG 16 YEL | TELEVISION | SPEAKER RIGHT (POSITIVE) |
| TH 16 WHT | TELEVISION | SPEAKER RIGHT (NEGATIVE) |
| TJ 16 YEL | TELEVISION | SPEAKER LEFT (POSITIVE) |
| TK 16 WHT | TELEVISION | SPEAKER LEFT (NEGATIVE) |
| TL 16 YEL | FRONT RIGHT TV SPEAKER NEGATIVE,SERIES CONNECTION | FRONT LEFT TV SPEAKER POSITIVE,SERIES CONNECTION |
| TM 16 WHT | STEP COVER SWITCH | STEP COVER SOLENOID MOVES STEP OUT |
| TN 14 YEL | STARTER SOLENOID BATTERY TERMINAL | ALTERNATOR REGULATOR |
| TP 14 WHT | REAR AUTOMOTIVE LAMPS (TURN, MARKER, ETC) | GROUND |
| TR 14 YEL | VEHICLE BACK UP CIRCUIT FEED | BACK UP LAMPS |
| TS 14 YEL | STARTER SOLENOID (I TERMINAL) | ENGINE WIRING (IGNITION MODULE) |
| TT 14 YEL | NEUTRAL SAFETY SWITCH | STARTER SOLENOID (S TERMINAL) |
| TU 14 WHT | IGNITION COIL RELAY (COIL) | GROUND |
| TW 14 YEL | IGNITION SWITCH START/RUN FEED | IGNITION COIL |
| TX 14 YEL | IGNITION COIL RELAY (COMMON) | IGNITION COIL |
| TY 14 YEL | ALTERNATOR (T TERMINAL) | CHOKE HEATER |
| UA 14 YEL | FUEL PUMP FUSE | OIL PRESSURE CUTOUT SWITCH/ FUEL PUMP RELAY (NO) , ETC |
| UB 14 YEL | INERTIA SWITCH (FUEL PUMP SHUTOFF) | FUEL PUMP RELAY (NORMALLY CLOSED) |
| UC 14 YEL | FUEL PUMP RELAY (COMMON) | FUEL PUMP |
| UD 16 WHT | FUEL GAUGE | FUEL SENDER |

| WIRE IDENTIFICATION CHART | | |
|---------------------------|---|---|
| CODE/COLOR | FROM: | TO: |
| UE 14 YEL | INERTIA SWITCH (FUEL PUMP SHUTOFF) | OIL PRESSURE CUTOFF SWITCH |
| UF 14 WHT | FUEL PUMP | GROUND |
| UG 14 WHT | FUEL PUMP RELAY (COIL) | GROUND |
| UH 16 YEL | LP DETECTOR (SHUTOFF SYSTEM, YEL) | LP SAFETY VALVE |
| UJ 16 YEL | LP DETECTOR (SHUTOFF SYSTEM, YEL) | LP SAFETY SWITCH |
| UK 16 WHT | LP DETECTOR (BLK) (REF WB) | GROUND |
| UL 16 WHT | EUL LAMP | EUL MODULE |
| UM 16 WHT | DOOR JAMB DOME LAMP SWITCH | GROUND |
| UN 16 WHT | SEAT BELT LAMP | EUL MODULE |
| UP 16 YEL | SEAT BELT LAMP | SEAT BELT BUZZER |
| UR 16 WHT | PARK BRAKE SWITCH | PARK BRAKE LAMP |
| US 16 YEL | OVERCURRENT PROTECTION (6A BREAKER TYPICAL) | COACH BATTERY FEED TO BATTERY CONDITION SWITCH |
| UT 14 YEL | DOOR JAMB DOME LAMP SWITCH (SWITCH POSITIVE) | DOME LAMP |
| UJ 16 YEL | WATER HEATER | VACUUM VALVE SOLENOID |
| UW 16 WHT | VACUUM VALVE SOLENOID | GROUND |
| UX 16 YEL | LP DETECTOR #2 (SHUTOFF SYSTEM, YEL) | LP SAFETY VALVE |
| UY 16 YEL | LP DETECTOR #2 (SHUTOFF SYSTEM, YEL) | LP SAFETY VALVE |
| WA 14 YEL | EXTERIOR SERVICE LAMP SWITCH | EXTERIOR SERVICE LAMP |
| WB 16 YEL | OVERCURRENT PROTECTION (6A BREAKER TYPICAL) | LP DETECTOR (REF UK) |

| WIRE IDENTIFICATION CHART | | |
|---------------------------|---|--|
| CODE/COLOR | FROM: | TO: |
| WC 14 YEL | OVERCURRENT PROTECTION (15A BREAKER TYPICAL) | COMPARTMENT LAMPS (REF WE) |
| WD 14 WHT | AISLE LAMPS | GROUND |
| WE 14 WHT | COMPARTMENT LAMPS (REF WC) | GROUND |
| WF 12YEL(WHT) | OVERCURRENT PROTECTION (30A BREAKER TYPICAL) | PARK BRAKE COMPRESSOR SOLENOID |
| WG 12YEL(BLK) | OVERCURRENT PROTECTION (30A BREAKER TYPICAL) | IGNITION RELAY |
| WH 14 YEL | OVERCURRENT PROTECTION (15A BREAKER TYPICAL) | IGNITION SWITCH RUN ONLY FEED |
| WJ 12 YEL | OVERCURRENT PROTECTION (20A BREAKER TYPICAL) | IGNITION SWITCH ACCESSORY FEED RELAY |
| WK 14 YEL | OVERCURRENT PROTECTION (15A BREAKER TYPICAL) | IGNITION SWITCH ACCESSORY FEED |
| WL 14 YEL | POWER DOOR LOCK RELAY (PIN 30) | POWER DOOR LOCK MOTOR(S) (LOCK) |
| WM 14 WHT | POWER DOOR UNLOCK RELAY (PIN 30) | POWER DOOR LOCK MOTOR(S) (UNLOCK) |
| WN 16 YEL | RADIO POWER SWITCH (ACCESSORY POWER) | DASH RADIO (ACCESSORY POWER) |
| WP 10 YEL | OVERCURRENT PROTECTION (25A BREAKER TYPICAL) | FRONT PANEL LOADS (INVERTER, RADIO) (96 M-SERIES) |
| WR 14 YEL | OVERCURRENT PROTECTION (15A BREAKER TYPICAL) | POWER SEAT LIFT SWITCH |
| WS 14 WHT | POWER SEAT LIFT SWITCH | GROUND |
| WT 14 YEL | POWER SEAT LIFT SWITCH (UP) | MOTOR (POSITIVE UP) |
| WU 14 WHT | POWER SEAT LIFT SWITCH (DOWN) | MOTOR (POSITIVE DOWN) |
| WW 14 WHT | SPOT LAMP SWITCH | GROUND |
| WX 14 YEL | HALLWAY CEILING LAMP SWITCH | HALLWAY CEILING LAMP |
| WY 10 WHT | AUTOMOTIVE AIR CONDITIONER MOTOR | GROUND |

| WIRE IDENTIFICATION CHART | | |
|---------------------------|--|--|
| CODE/COLOR | FROM: | TO: |
| XA 12/10 YEL | VEHICLE AUTOMOTIVE AIR FEED CIRCUIT | AUTOMOTIVE AIR CONDITIONER BLOWER (USE 10 IF OVER 6') |
| XB 14 YEL | DRIVER'S DOOR POWER WINDOW SWITCH (PIN 5) | DRIVER'S DOOR POWER WINDOW MOTOR (POSITIVE UP) |
| XC 14 WHT | DRIVER'S DOOR POWER WINDOW SWITCH (PIN 1) | DRIVER'S DOOR POWER WINDOW MOTOR (POSITIVE DOWN) |
| XD 16 WHT | MONITOR PANEL | HOLDING TANK LEVEL SENSOR (FULL) |
| XE 16 WHT | MONITOR PANEL | HOLDING TANK LEVEL SENSOR (3/4) |
| XF 16 WHT | MONITOR PANEL | HOLDING TANK LEVEL SENSOR (1/2) |
| XG 16 WHT | MONITOR PANEL | HOLDING TANK LEVEL SENSOR (1/4) |
| XH 16 YEL | MONITOR PANEL | WATER TANK LEVEL SENSOR |
| XJ 16 YEL | MONITOR PANEL | BLACK HOLDING LEVEL SENSOR (MAIN TANK) |
| XK 16 YEL | MONITOR PANEL | GRAY AUXILIARY HOLDING TANK #1 LEVEL SENSOR (AUX TANK #1) |
| XL 16 YEL | MONITOR PANEL | GRAY AUXILIARY HOLDING TANK #2 LEVEL SENSOR (AUX TANK #2) |
| XM 14 YEL | OVERCURRENT PROTECTION (18GA FUSELINK TYPICAL) | IGNITION START RELAY |
| XN 16 YEL | FRONT ROOF AIR CONDITIONER (EXHAUST) | THERMOSTAT (EX TERMINAL) |
| XP 16 YEL | FRONT ROOF AIR CONDITIONER (COOL) | THERMOSTAT (Y TERMINAL) (Y EXPORT AIR) |
| XR 16 YEL | FRONT ROOF AIR CONDITIONER (HIGH SPEED BLOWER) | THERMOSTAT (GH TERMINAL) (H EXPORT AIR) |
| XS 16 YEL | FRONT ROOF AIR CONDITIONER (LOW SPEED BLOWER) | THERMOSTAT (GL TERMINAL) (G EXPORT AIR) |
| XT 14 YEL | IGNITION START RELAY #1 (NORMALLY CLOSED CONTACT) | IGNITION START RELAY #2 (COMMON CONTACT) |
| XU 14 YEL | DINETTE OVHD LAMP SWITCH | DINETTE OVHD LAMP |
| XW 14 WHT | IGNITION SWITCH ACCESSORY FEED RELAY CIRCUIT | GROUND |

| WIRE IDENTIFICATION CHART | | |
|---------------------------|---|---|
| CODE/COLOR | FROM: | TO: |
| XX 14 YEL | GALLEY LAMP SWITCH | GALLEY LAMP |
| XY 14 YEL | MAKE UP LAMP #2 SWITCH | MAKE UP LAMP #2 |
| YA 14 YEL | TAG AXLE PRESSURE CONTROL SWITCH | COMPRESSOR SOLENOID/ SOLENOID AIR VALVE |
| YB 14 WHT | LOW AIR PRESSURE SWITCH | GROUND |
| YC 10YEL (BLU) | OVERCURRENT PROTECTION (30A BREAKER TYPICAL) | TAG AXLE COMPRESSOR SOLENOID |
| YD 14 WHT | TAG AXLE MOUNTING PLATE SCREW | GROUND |
| YE 10 WHT | TAG AXLE COMPRESSOR | GROUND |
| YF 12 WHT | TAG AXLE BRAKE CONTROL MODULE/BRAKE MAGNET | GROUND |
| YG 12YEL (BLK) | OVERCURRENT PROTECTION (20A BREAKER TYPICAL) | TAG AXLE BRAKE CONTROL MODULE |
| YH 12YEL (BLU) | TAG AXLE BRAKE CONTROL MODULE | TAG AXLE BRAKE MAGNET |
| YJ 10YEL (WHT) | TAG AXLE COMPRESSOR SOLENOID | TAG AXLE COMPRESSOR |
| YK 14 YEL | BEDROOM CEILING LAMP SWITCH #1 (2 SWITCH SYSTEM) | BEDROOM CEILING LAMP SWITCH #2 (2 SWITCH SYSTEM) |
| YL 14 YEL | BEDROOM CEILING LAMP SWITCH #1 (2 SWITCH SYSTEM) | BEDROOM CEILING LAMP SWITCH #2 (2 SWITCH SYSTEM) |
| YM 14 YEL | HALLWAY CEILING LAMP SWITCH #1 (2 SWITCH SYSTEM) | HALLWAY CEILING LAMP SWITCH #2 (2 SWITCH SYSTEM) |
| YN 14 YEL | HALLWAY CEILING LAMP SWITCH #1 (2 SWITCH SYSTEM) | HALLWAY CEILING LAMP SWITCH #2 (2 SWITCH SYSTEM) |
| YP 14 YEL | VALANCE LAMP SWITCH #1 (3 WAY SWITCH) | VALANCE LAMP SWITCH #2 (3 WAY SWITCH) |
| YR 14 YEL | VALANCE LAMP SWITCH #1 (3 WAY SWITCH) | VALANCE LAMP SWITCH #2 (3 WAY SWITCH) |
| YS 14 YEL | VALANCE LAMP SWITCH | VALANCE LAMP |
| YT 14 YEL | FRONT VALANCE LAMP SWITCH | FRONT VALANCE LAMP |

| WIRE IDENTIFICATION CHART | | |
|---------------------------|---|---|
| CODE/COLOR | FROM: | TO: |
| YU 14 YEL | REAR VALANCE LAMP SWITCH | REAR VALANCE LAMP |
| YW 14 WHT | DOOR BELL SWITCH | DOOR BELL |
| YX 14 YEL | IGNITION SWITCH RUN/START FEED | ALTERNATOR WARNING LAMP |
| YY 14 YEL | ALTERNATOR VOLTAGE REGULATOR | ALTERNATOR WARNING LAMP |
| AAA 16 WHT | STEP COVER SWITCH (REF GX) | STEP COVER SOLENOID MOVES STEP IN |
| AAB 14 YEL | DINETTE READING LAMPS | DINETTE READING LAMP SWITCH |
| AAC 14 YEL | LOUNGE READING LAMPS | LOUNGE READING LAMP SWITCH |
| AAD 14 YEL | FORD CHASSIS TRAILER MARKER LAMP CIRCUIT (BR/WHT) | TRAILER CONNECTOR SOCKET MARKER LAMPS |
| AAE 14 YEL | FORD CHASSIS TRAILER BACKUP LAMP CIRCUIT (BLK/LT GRN) | TRAILER CONNECTOR SOCKET BACKUP LAMPS |
| AAF 14 YEL | FORD CHASSIS TRAILER LEFT TURN/BRAKE LAMP CIRCUIT (YEL) | TRAILER CONNECTOR SOCKET LEFT TURN/BRAKE LAMP |
| AAG 14 YEL | FORD CHASSIS TRAILER RIGHT TURN/BRAKE LAMP CIRCUIT (DKG) | TRAILER CONNECTOR SOCKET RIGHT TURN/BRAKE LAMP |
| AAH 14 YEL | BATH-VENT, POWER | BATH-VENT, THERMOSTAT |
| AAJ 14 YEL | BATH-VENT, POWER | BATH-VENT, THERMOSTAT |
| AAK 16 WHT | SWITCH-WATER PUMP (MULTIPLEX SYSTEM) | LATCHING RELAY (WITH 4 OR MORE SWITCHES) |
| AAL 16 WHT | SWITCH-WATER PUMP (MULTIPLEX SYSTEM) | GROUND |
| AAM 14 YEL | CHASSIS SUPPLIED WIRE ASM (DARK BLUE) (GM) | RIGHT TAIL LAMP PARK (WIE) |
| AAN 14 YEL | CHASSIS SUPPLIED WIRE ASM (PURPLE) (GM) | LEFT TAIL LAMP PARK (WIE) |
| AAP 10 YEL | 55 AMP BREAKER JUMPER WIRE | 30 AMP BREAKER |
| AAR 14 YEL | TV/RADIO SPEAKER FEED SELECTOR SWITCH | TV SPEAKER AMPLIFIER |

| WIRE IDENTIFICATION CHART | | |
|---------------------------|---|--|
| CODE/COLOR | FROM: | TO: |
| AAS 16 YEL | TV SPEAKER (NEGATIVE) BEDROOM SPEAKERS IN SERIES | TV SPEAKER (POSITIVE) |
| AAT 16 YEL | AMPLIFIER POSITIVE OUT (AAU NEGATIVE) | FRONT WOOFER (WITH DELUXE SOUND SYSTEM) |
| AAU 16 WHT | AMPLIFIER NEGATIVE OUT (AAT POSITIVE) | FRONT WOOFER (WITH DELUXE SOUND SYSTEM) |
| AAW 16 YEL | AMPLIFIER POSITIVE OUT (AAX NEGATIVE) | REAR WOOFER (WITH DELUXE SOUND SYSTEM) |
| AAX 16 WHT | AMPLIFIER NEGATIVE OUT (AAW POSITIVE) | REAR WOOFER (WITH DELUXE SOUND SYSTEM) |
| AAZ 12 YEL | SLIDEOUT ROOM CONTROL SWITCH (RAM #1) | SLIDEOUT DRIVE MOTOR LEAD #1 |
| AAZ 12 YEL | SLIDEOUT ROOM CONTROL SWITCH (RAM #1) | SLIDEOUT DRIVE MOTOR LEAD #2 |
| BBA 16 WHT | SLIDEOUT WIRING (PARK BRAKE SW) (SWITCHED GRD) | SLIDEOUT ROOM RELAY (GROUND TERMINAL) |
| BBB 16 YEL | SLIDEOUT ROOM CIRCUIT BREAKER (6 AMP) | SLIDEOUT ROOM RELAY (PIN 86 & 87) |
| BBC 16 YEL | LOAD SHEDDER MONITOR PANEL (RED WIRE) | LOAD SHEDDER CONTROL BOARD (RED WIRE) |
| BBD 16 YEL | LOAD SHEDDER MONITOR PANEL (BLUE WIRE) | LOAD SHEDDER CONTROL BOARD (BLUE WIRE) |
| BBE 16 YEL | LOAD SHEDDER MONITOR PANEL (BLACK WIRE) | LOAD SHEDDER CONTROL BOARD (BLACK WIRE) |
| BBF 16 YEL | LOAD SHEDDER MONITOR PANEL (GRAY WIRE) | LOAD SHEDDER CONTROL BOARD (GRAY WIRE) |
| BBG 14 YEL | DINETTE CEILING LAMP SWITCH | DINETTE CEILING LAMP |
| BBH 16 YEL | REAR COMPRESSOR SIGNAL REAR THERMOSTAT | LOAD SHEDDER CONTROL BOARD |
| BBJ 16 YEL | LOAD SHEDDER CONTROL BOARD | REAR A/C (COOL) |
| BBK 12 WHT | JET AIR/TAG AXLE WIRING | GROUND, CHASSIS |
| BBL 14 YEL | OVHD SWITCH | OVHD HALOGEN LAMPS |
| BBM 16 YEL | SLIDEOUT ROOM SWITCH (ROOM TWO EXTEND) | HWH WIRING (ROOM TWO EXTEND) |

| WIRE IDENTIFICATION CHART | | |
|---------------------------|--|--|
| CODE/COLOR | FROM: | TO: |
| BBN 16 YEL | SLIDEOUT ROOM SWITCH (ROOM TWO RETRACT) | HWH WIRING (ROOM TWO RETRACT) |
| BBP 14 YEL | ICC COURTESY BLINK SWITCH | ICC COURTESY BLINK RELAY |
| BBR 14 YEL | ICC COURTESY BLINK RELAY | CLEARANCE LAMPS |
| BBS 14 YEL | CHASSIS FUSE PANEL | ICC COURTESY BLINK RELAY |
| BBT 14 YEL | DOCKING LAMP SWITCH TRIGGER RELAY | DOCKING LAMP SWITCH |
| BBU 12 YEL | DOCKING LAMP CIRCUIT BREAKER | DOCKING LAMP RELAY |
| BBW 14 YEL | FORD LEFT HAND LOW BEAM CIRCUIT | LEFT HAND LOW BEAM |
| BBX 14 YEL | FORD RIGHT HAND LOW BEAM CIRCUIT | RIGHT HAND LOW BEAM |
| BBY 14 YEL | SWITCH-MONITOR PANEL (IN EXT. WATER CENTER) | EXTERIOR MONITOR PANEL (IN EXT. WATER CENTER) |
| BBZ 14 YEL | OVERCURRENT PROTECTION (15A FUSE/BREAKER TYPICAL) | AUXILIARY FURNACE (CCA) |
| CCA 14 WHT | AUXILIARY FURNACE | GROUND |
| CCB 16 YEL | EXTERIOR MONITOR PANEL | WATER TANK LEVEL SENSOR |
| CCC 16 YEL | EXTERIOR MONITOR PANEL | MAIN HOLDING TANK LEVEL SENSOR |
| CCD 16 YEL | EXTERIOR MONITOR PANEL | AUX HOLDING TANK LEVEL SENSOR |
| CCE 14 YEL | COMPARTMENT LAMP SWITCH | COMPARTMENT LAMP |
| CCF 14 YEL | COMPARTMENT LAMP SWITCH | COMPARTMENT LAMP |
| CCG 14 YEL | COMPARTMENT LAMP SWITCH | COMPARTMENT LAMP |
| CCH 14 YEL | COMPARTMENT LAMP SWITCH | COMPARTMENT LAMP |
| CCJ 14 YEL | COMPARTMENT LAMP SWITCH | COMPARTMENT LAMP |

| WIRE IDENTIFICATION CHART | | |
|---------------------------|---|--|
| CODE/COLOR | FROM: | TO: |
| CCK 14 YEL | COMPARTMENT LAMP SWITCH | COMPARTMENT LAMP |
| CCL 14 YEL | COMPARTMENT LAMP SWITCH | COMPARTMENT LAMP |
| CCM 14 YEL | COMPARTMENT LAMP SWITCH | COMPARTMENT LAMP |
| CCN 16 YEL | THERMOSTATE LOW SPEED FAN SIGNAL | CENTRAL AIR AND LOAD SHEDDER |
| CCP 16 YEL | LOAD SHEDDER COMPRESSOR TWO CONTROL RELAY | CENTRAL A/C COMPRESSOR TWO |
| CCR 14 YEL | SWITCH-MONITOR PANEL (IN EXT. WATER CENTER) | EXTERIOR MONITOR PANEL (IN EXT. WATER CENTER) |
| CCS 16 YEL | NOISE FILTER | RADIO POWER INPUT |
| CCT 16 YEL | REAR RIGHT TV SPEAKER NEGATIVE,SERIES CONNECTION | REAR LEFT TV SPEAKER POSITIVE,SERIES CONNECTION |
| CCU 16 YEL | GM DOME LAMP POWER | DOME LAMP |
| CCW 12 YEL | DUAL MODE SOLENOID (CHASSIS SIDE) | FUSE HOLDER (30 AMP) |
| CCX 16 YEL | ORG WIRE ON AIR COMPRESSOR | AIR PRESSURE SWITCH ON AIR TANK |
| CCY 16 YEL | HWH WIRING (BATTERY POWER) | SLIDEOUT ROOM SWITCH (POSITIVE) |
| CCZ 16 YEL | HWH WIRING (SWITCHED BATTERY POWER) | SLIDEOUT ROOM #1 SWITCH (POSITIVE) |
| DDA 16 YEL | HWH WIRING (PUMP RELAY CONTROL) | SLIDEOUT ROOM SWITCH (POSITIVE) |
| ddb 14 YEL | REAR AUTO HEATER CIRCUIT BREAKER | REAR AUTO HEATER RELAY (POWER) |
| DDC 14 YEL | REAR AUTO HEATER RELAY (SWITCHED POWER) | REAR AUTO HEATER SWITCH (COMMON TERMINAL) |
| DDD 14 YEL | MODULE-CHARGE CONTROL RELAY OUTPUT | AUX-START SOLENOID RELAY |
| DDE 14 YEL | AUX-START SOLENOID RELAY | AUX-START SOLENOID |
| DDF 10 YEL | HEATER BLOWER CIRCUIT BREAKER | HEATER BLOWER RELAY |

| WIRE IDENTIFICATION CHART | | |
|---------------------------|--|---|
| CODE/COLOR | FROM: | TO: |
| DDG 10 YEL | CIRCUIT BREAKER BUSS BAR | CHASSIS BATTERY FEED CIRCUIT BREAKER |
| DDH 14 YEL | FREIGHTLINER RUN ONLY TRIGGER CIRCUIT | HEATER BLOWER RELAY |
| DDJ 14 YEL | FREIGHTLINER PARKING BRAKE TRIGGER CIRCUIT | HWH WIRE ASM-PARKING BRAKE SENSOR WIRE |
| DDK 16 YEL | HWH WIRING (PUMP RELAY CONTROL) | REAR SLIDEBOUT ROOM SWITCH (POSITIVE) |
| DDL 14 WHT | FRONT LEFT AUTOMOTIVE LAMPS | GROUND |
| DDM 14 WHT | FRONT RIGHT AUTOMOTIVE LAMPS | GROUND |
| DDN 16 YEL | TIMER MODULE | CHECK ANTENNA LIGHT |
| DDP 12 YEL | OVERCURRENT PROTECTION (20A BREAKER TYPICAL) | INVERTER FEED (INVERTER NUMBER 2) |
| DDR 12 WHT | INVERTER (INVERTER NUMBER 2) | GROUND |
| DDS 12 WHT | INVERTER CHASSIS (INVERTER NUMBER 2) | GROUND |
| DDT 12 YEL | POWER COMPT DOOR LOCK RELAY (RIGHT SIDE) | POWER COMPT DOOR LOCK MOTOR(S) (RIGHT SIDE) |
| DDU 12 WHT | POWER COMPT DOOR UNLOCK RELAY (RIGHT SIDE) | POWER COMPT LOCK MOTOR(S) (UNLOCK) (RIGHT SIDE) |
| DDV 12 YEL | POWER COMPT DOOR LOCK RELAY (LEFT SIDE) | POWER COMPT LOCK MOTOR(S) (LOCK) (LEFT SIDE) |
| DDW 12 WHT | POWER COMPT DOOR UNLOCK RELAY (LEFT SIDE) | POWER COMPT LOCK MOTOR(S) (UNLOCK) (LEFT SIDE) |
| DDX 12 YEL | OVERCURRENT PROTECTION (20A BREAKER TYPICAL) | POWER COMPT DOOR LOCK/ UNLOCK RELAY (RIGHT SIDE) |
| DDY 12 YEL | OVERCURRENT PROTECTION (20A BREAKER TYPICAL) | POWER COMPT DOOR LOCK/ UNLOCK RELAY (LEFT SIDE) |
| DDZ 12 YEL | POWER COMPT DOOR LOCK SWITCH (LOCK) (PIN 1) | POWER COMPT DOOR LOCK RELAY (PIN 86) |
| DEA 12 WHT | POWER COMPT DOOR LOCK SWITCH (UNLOCK) (PIN 5) | POWER COMPT DOOR UNLOCK RELAY (PIN 86) |
| DEB 12 WHT | POWER COMPT DOOR LOCK RELAYS (LEFT SIDE) | GROUND |

| WIRE IDENTIFICATION CHART | | |
|---------------------------|---|--|
| CODE/COLOR | FROM: | TO: |
| EEC 12 YEL | 25 AMP BREAKER IN 12 VOLT PANEL | SOFA RECLINER SWITCH SOFA 4-WAY RECLINER |
| EED 12 WHT | SOFA RECLINER SWITCH SOFA 4-WAY RECLINER | GROUND |
| EEE 14 YEL | OVERCURRENT PROTECTION (15A BREAKER TYPICAL) | 12V POWER JACK |
| EEF 14 WHT | 12V POWER JACK | GROUND |
| EEG 12 WHT | POWER COMPT DOOR LOCK RELAYS (RIGHT SIDE) | GROUND |
| EEH 12 YEL | SOFA RECLINER SWITCH EXTEND | SOFA RECLINER MOTOR SOFA 4-WAY |
| EEJ 12 YEL | SOFA RECLINER SWITCH RETRACT | SOFA RECLINER MOTOR SOFA 4-WAY |
| EEK 16 YEL | AUDIO AMPLIFIER | LH FRT SPKR (+) |
| EEL 16 WHT | AUDIO AMPLIFIER | LH FRT SPKR (-) |
| EEM 16 YEL | AUDIO AMPLIFIER | RH FRT SPKR (+) |
| EEN 16 WHT | AUDIO AMPLIFIER | RH FRT SPKR (-) |
| EEP 16 YEL | AUDIO AMPLIFIER | LH RR SPKR (+) |
| EER 16 WHT | AUDIO AMPLIFIER | LH RR SPKR (-) |
| EES 16 YEL | AUDIO AMPLIFIER | RH RR SPKR (+) |
| EET 16 WHT | AUDIO AMPLIFIER | RH RR SPKR (-) |
| EEU 16 YEL | AUDIO AMPLIFIER | CTR CHANNEL SPKR (+) |
| EEW 16 WHT | AUDIO AMPLIFIER | CTR CHANNEL SPKR (-) |
| EEX 12/10 YEL | PASSENGER AUTO A/C FEED CIRCUIT | PASSENGER AUTO A/C BLOWER (USE 10 IF OVER 6') |
| Eey 10 WHT | PASSENGER AUTO A/C MOTOR | GROUND |

| WIRE IDENTIFICATION CHART | | |
|---------------------------|---|---|
| CODE/COLOR | FROM: | TO: |
| EEZ 12/10 YEL | OVERCURRENT PROTECTION (30A BREAKER TYPICAL) | PASSENGER HI-SPEED HEATER FAN (USER 10 IF OVER 6') |
| FFA 10 YEL | PASSENGER HEATER BLOWER CIRCUIT BREAKER | PASSENGER HEATER BLOWER RELAY |
| FFB 10 YEL | OVERCURRENT PROTECTION (30A BREAKER TYPICAL) | POWER LOUNGE CHAIR |
| FFC 10 WHT | POWER LOUNGE CHAIR | GROUND |
| FFD 12 YEL | OVERCURRENT PROTECTION (30A BREAKER TYPICAL) | AWNING CONTROL BOX (12V POSITIVE) |
| FFE 12 WHT | AWNING CONTROL BOX | GROUND |
| FFF 12 YEL | AWNING CONTROL BOX | DOOR AWNING (MOTOR POSITIVE) |
| FFG 12 WHT | DOOR AWNING (MOTOR GROUND) | AWNING CONTROL BOX |
| FFH 12 YEL | AWNING CONTROL BOX | PATIO AWNING (MOTOR POSITIVE) |
| FFJ 12 WHT | PATIO AWNING (MOTOR GROUND) | AWNING CONTROL BOX |
| FFK 16 YEL | AWNING CONTROL BOX | DOOR AWNING SWITCH (EXTEND) |
| FFL 16 YEL | DOOR AWNING SWITCH (COMMON) | AWNING CONTROL BOX |
| FFM 16 YEL | AWNING CONTROL BOX | DOOR AWNING SWITCH (RETRACT) |
| FFN 16 YEL | AWNING CONTROL BOX | PATIO AWNING SWITCH (EXTEND) |
| FFP 16 YEL | PATIO AWNING SWITCH (COMMON) | AWNING CONTROL BOX |
| FFR 16 YEL | AWNING CONTROL BOX | PATIO AWNING SWITCH (RETRACT) |
| FFS 14 WHT | RELAY (PIN 30) | AWNING CONTROL BOX |
| FFT 14 WHT | PATIO AWNING SWITCH | AWNING CONTROL BOX |
| FFU 16 YEL | AWNING SELECTOR SWITCH (DOOR AWNING) | AWNING CONTROL SWITCH (DOOR AWNING) |

| WIRE IDENTIFICATION CHART | | |
|---------------------------|--|---|
| CODE/COLOR | FROM: | TO: |
| FFV 16 YEL | AWNING SELECTOR SWITCH (PATIO AWNING) | AWNING CONTROL SWITCH (PATIO AWNING) |
| FFW 14 YEL | LOUNGE LAMPS SWITCH #1 | LOUNGE LAMPS SWITCH #2 |
| FFX 14 YEL | LOUNGE LAMPS SWITCH #1 | LOUNGE LAMPS SWITCH #2 |
| FFY 14 YEL | CEILING FAN SWITCH | CEILING FAN |
| FFZ 14 YEL | OVERCURRENT PROTECTION (15A FUSE/BREAKER TYPICAL) | COACH LIGHTING, ETC CIRCUIT #7 (REF GGA) |
| GGA 14 WHT | COACH LIGHTING (REF-FFZ) | GROUND |
| GGB 14 YEL | POWER LIFT VENT | POWER LIFT SWITCH (UP) |
| GGC 14 YEL | POWER LIFT VENT | POWER LIFT SWITCH (DOWN) |
| GGD 16 YEL | CONTROL MODULE (LEFT FRONT SLIDE) (STOP) | SLIDEOUT SWITCH (LEFT FRONT SLIDE) |
| GGE 16 YEL | CONTROL MODULE (LEFT FRONT SLIDE) (GREEN LED) | SLIDEOUT SWITCH (LEFT FRONT SLIDE) |
| GGF 16 YEL | CONTROL MODULE (LEFT FRONT SLIDE) (RED LED) | SLIDEOUT SWITCH (LEFT FRONT SLIDE) |
| GGG 16 YEL | CONTROL MODULE (LEFT FRONT SLIDE) (SIGNAL) | LEFT FRONT SLIDE, FRONT RAM (ENCODER) |
| GGH 16 YEL | CONTROL MODULE (LEFT FRONT SLIDE) (+) | LEFT FRONT SLIDE, FRONT RAM (ENCODER) |
| GGJ 16 WHT | CONTROL MODULE (LEFT FRONT SLIDE) (-) | LEFT FRONT SLIDE, FRONT RAM (ENCODER) |
| GGK 16 YEL | CONTROL MODULE (LEFT FRONT SLIDE) (SIGNAL) | LEFT FRONT SLIDE, REAR RAM (ENCODER) |
| GGL 16 YEL | CONTROL MODULE (LEFT FRONT SLIDE) (+) | LEFT FRONT SLIDE, REAR RAM (ENCODER) |
| GGM 16 WHT | CONTROL MODULE (LEFT FRONT SLIDE) (-) | LEFT FRONT SLIDE, REAR RAM (ENCODER) |
| GGN 12 YEL | CONTROL MODULE (RAM #2) | SLIDEOUT ACTUATOR DRIVE LEAD #1 |
| GGP 12 YEL | CONTROL MODULE (RAM #2) | SLIDEOUT ACTUATOR DRIVE LEAD #2 |

| WIRE IDENTIFICATION CHART | | |
|---------------------------|--|---|
| CODE/COLOR | FROM: | TO: |
| GGR 16 YEL | FRONT ROOF HEAT PUMP | THERMOSTAT (W TERMINAL) |
| GGS 16 YEL | REAR ROOF HEAT PUMP | THERMOSTAT (W TERMINAL) |
| GGT 12 YEL | SOFA RECLINER SWITCH EXTEND | SOFA RECLINER MOTOR SOFA 4-WAY |
| GGU 12 YEL | SOFA RECLINER SWITCH RETRACT | SOFA RECLINER MOTOR SOFA 4-WAY |
| GGV 14 WHT | GPS (BLACK WIRE) | GROUND |
| GGW 16 YEL | GPS (GREEN/WHITE WIRE) | VEHICLE SPEED SENSOR (CHASSIS SUPPLIED) |
| GGX 14 YEL | 10 OHM RESISTOR * | BEDROOM CEILING FAN (LOW SPEED) |
| GGY 14 YEL | BATHROOM VENT SWITCH | BATHROOM VENT |
| GGZ 14 YEL | BEDROOM VENT SWITCH | BEDROOM VENT |
| HHA 14 YEL | OVERCURRENT PROTECTION (15A FUSE/BREAKER TYPICAL) | COACH VENTS/LAMPS (REF HHB) |
| HHB 14 WHT | COACH VENTS/LAMPS (REF HHA) | GROUND |
| HHC 12 YEL | STEP COVER SWITCH | STEP COVER MOTOR (+) RETRACT, (-) EXTEND |
| HHD 12 YEL | STEP COVER SWITCH | STEP COVER MOTOR (-) EXTEND, (+) RETRACT |
| HHE 16 YEL | SLIDEOUT ROOM SWITCH (ROOM THREE EXTEND) | HWH WIRING (ROOM THREE EXTEND) |
| HHF 16 YEL | SLIDEOUT ROOM SWITCH (ROOM THREE RETRACT) | HWH WIRING (ROOM THREE RETRACT) |
| HHG 16 YEL | SLIDEOUT ROOM SWITCH (ROOM FOUR EXTEND) | HWH WIRING (ROOM FOUR EXTEND) |
| HHH 16 YEL | SLIDEOUT ROOM SWITCH (ROOM FOUR RETRACT) | SLIDEOUT ROOM SWITCH (ROOM FOUR RETRACT) |
| HHJ 14 YEL | 110V WATER HEATER TRIGGER SWITCH | WATER HEATER RELAY |
| HHK 14 YEL | DRIVER'S POWER SUNVISOR SWITCH | DRIVER'S POWER SUNVISOR |

| WIRE IDENTIFICATION CHART | | |
|---------------------------|---|--|
| CODE/COLOR | FROM: | TO: |
| HHL 14 YEL | DRIVER'S POWER SUNVISOR SWITCH | DRIVER'S POWER SUNVISOR |
| HHM 14 YEL | PASS POWER SUNVISOR SWITCH | PASS POWER SUNVISOR |
| HHN 14 YEL | PASS POWER SUNVISOR SWITCH | PASS POWER SUNVISOR |
| HHP 14 YEL | HOT WATER HEAT CONTROL BOARD (F1) | ZONE 1 FAN SPEED SWITCH |
| HHR 14 YEL | ZONE 1 FAN SPEED SWITCH | ZONE 1 HEATER FAN |
| HHS 16 YEL | HOT WATER HEAT CONTROL BOARD (TC) | ZONE 2 & 3 THERMOSTAT |
| HHT 16 YEL | HOT WATER HEAT CONTROL BOARD (T2) | ZONE 2 THERMOSTAT |
| HHU 14 YEL | HOT WATER HEAT CONTROL BOARD (F2) | ZONE 2 FAN SPEED SWITCH |
| HHV 14 YEL | ZONE 2 FAN SPEED SWITCH | ZONE 2 HEATER FAN |
| HHW 16 YEL | HOT WATER HEAT CONTROL BOARD (T3) | ZONE 3 THERMOSTAT |
| HHX 14 YEL | HOT WATER HEAT CONTROL BOARD (F3) | ZONE 3 HEATER FAN |
| HHY 16 WHT | AWNING CONTROL BOX | WIND SENSOR (NEGATIVE) |
| HHZ 16 YEL | AWNING CONTROL BOX | WIND SENSOR (POSITIVE) |
| JJA 16 YEL | AWNING CONTROL BOX | WIND SENSOR TEMPERATURE OUTPUT |
| JJB 16 YEL | AWNING CONTROL BOX | WIND SENSOR SPEED OUTPUT |
| JJC 14 YEL | ENGINE HEATER CIRCULATING PUMP SWITCH | HOT WATER HEAT CONTROL PANEL (BLU/BLK WIRE) |
| JJD 10 YEL | OVERCURRENT PROTECTION (25 FUSE TYPICAL) | HOT WATER HEAT CONTROL BOARD |
| JJE 10 WHT | HOT WATER HEAT CONTROL BOARD | GROUND |
| JJF 14 YEL | SATELLITE POWER SWITCH | SATELLITE-AUTO SEEK |

| WIRE IDENTIFICATION CHART | | |
|---------------------------|--|---|
| CODE/COLOR | FROM: | TO: |
| JJG 12 YEL | OVERCURRENT PROTECTION (20 AMP BREAKER TYPICAL) | SLIDEOUT ROOM CONTROL SWITCH (RAM #3) |
| JJH 12 WHT | SLIDEOUT ROOM CONTROL SWITCH (RAM #3) | GROUND |
| JJJ 12 YEL | SLIDEOUT ROOM CONTROL SWITCH (RAM #3) | SLIDEOUT DRIVE MOTOR LEAD #1 |
| JJK 12 YEL | SLIDEOUT ROOM CONTROL SWITCH (RAM #3) | SLIDEOUT DRIVE MOTOR LEAD #2 |
| JJL 12 YEL | OVERCURRENT PROTECTION (20 AMP BREAKER TYPICAL) | SLIDEOUT ROOM CONTROL SWITCH (RAM #2) |
| JJM 16 YEL | HWH WIRING (SWITCHED BATTERY POWER) | SLIDEOUT ROOM SWITCH #2 (SWITCHED EXTEND/RETRACT PWR) |
| JJN 16 YEL | HWH WIRING (SWITCHED BATTERY POWER) | SLIDEOUT ROOM SWITCH #3 (SWITCHED EXTEND/RETRACT PWR) |
| JJP 16 YEL | HWH WIRING (SWITCHED BATTERY POWER) | SLIDEOUT ROOM SWITCH #4 (SWITCHED EXTEND/RETRACT PWR) |
| JJR 16 YEL | REMOTE SWITCH (EXTEND) | PATIO AWNING CONTROL MODULE (RELAY POSITION 87A, EXTEND) |
| JJS 12 YEL | REMOTE SWITCH | DOOR AWNING CONTROL RELAY (RELAY POSITION 87A, EXTEND) |
| JJT 14 YEL | OVERCURRENT PROTECTION (15A FUSE/BREAKER TYPICAL) | COACH 12V RECEPTACLES (REF JJU) |
| JJU 14 WHT | COACH 12V RECEPTACLES (REF JJT) | GROUND |
| JJV 14 YEL | MONITOR PANEL LAMP SWITCH | MONITOR PANEL LAMP |
| JJW 14 YEL | RUN ONLY POWER BREAKER | RUN ONLY POWER RELAY |
| JJX 14 YEL | RUN ONLY POWER RELAY | GENERAL PURPOSE (RUN ONLY FEED) |
| JJY 14 YEL | RUN/ACC POWER #1 BREAKER | RUN/ACC POWER #1 RELAY |
| JJZ 14 YEL | RUN/ACC POWER #1 RELAY (REF LLD) | GENERAL PURPOSE (RUN/ACC FEED #1) |
| KKA 14 YEL | RUN/ACC POWER #2 BREAKER | RUN/ACC POWER #2 RELAY |
| KKB 14 YEL | RUN/ACC POWER #2 RELAY (REF LLE) | GENERAL PURPOSE (RUN/ACC FEED #2) |

| WIRE IDENTIFICATION CHART | | |
|---------------------------|---|---|
| CODE/COLOR | FROM: | TO: |
| KKC 12 YEL | POWER SEAT RELAY | POWER SEAT (HEATER) |
| KKD 16 YEL | CONFORMATION EMERGENCY SHUT'OFF SWITCH (IN COACH) | EMERGENCY SHUT'OFF SWITCH (ON REMOTE FILL BRACKET) |
| KKE 16 YEL | EMERGENCY SHUT'OFF SWITCH (ON REMOTE FILL BRACKET) | EMERGENCY SHUT'OFF SOLENOID (ON LP TANK) |
| KKF 6 BLK | BATTERY DISCONNECT RELAY | COACH BUSS BAR |
| KKG 8 BLK | BATTERY MODE SOLENOID | CHASSIS BUSS BAR |
| KKH 14 YEL | EXTERIOR SERVICE LAMP SWITCH #1 | EXTERIOR SERVICE LAMP SWITCH #2 |
| KKJ 14 YEL | EXTERIOR SERVICE LAMP SWITCH #1 | EXTERIOR SERVICE LAMP SWITCH #2 |
| KKK 16 YEL | HWH WIRING (SWITCHED BATTERY POWER) | SLIDEOUT ROOM #2 SWITCH (POSITIVE) |
| KKL 16 YEL | HWH WIRING (SWITCHED BATTERY POWER) | SLIDEOUT ROOM #3 SWITCH (POSITIVE) |
| KKM 16 YEL | HWH WIRING (SWITCHED BATTERY POWER) | SLIDEOUT ROOM #4 SWITCH (POSITIVE) |
| KKN 14 YEL | KEYLESS ENTRY PORCH LIGHT OUTPUT | PORCH/STEP/MAP LAMP |
| KKP 14 YEL | LOUNGE CEILING ROPE LAMP SWITCH | LOUNGE CEILING ROPE LAMP |
| KKR 14 YEL | BEDROOM CEILING ROPE LAMP SWITCH | BEDROOM CEILING ROPE LAMP |
| KKS 14 YEL | BEDROOM VALANCE LAMP SWITCH | BEDROOM VALANCE LAMP |
| KKT 14 YEL | BEDROOM "MOOD" LAMP SWITCH | BEDROOM "MOOD" LAMP |
| KKU 16 YEL | REAR TV SPEAKER OUTPUT (RIGHT POSITIVE) | RIGHT SPEAKER (POSITIVE) |
| KKV 16 WHT | REAR TV SPEAKER OUTPUT (RIGHT NEGATIVE) | RIGHT SPEAKER (NEGATIVE) |
| KKW 16 YEL | REAR TV SPEAKER OUTPUT (LEFT POSITIVE) | LEFT SPEAKER (POSITIVE) |
| KKX 16 WHT | REAR TV SPEAKER OUTPUT (LEFT NEGATIVE) | LEFT SPEAKER (NEGATIVE) |

| WIRE IDENTIFICATION CHART | | |
|---------------------------|--|---|
| CODE/COLOR | FROM: | TO: |
| KKY 14 YEL | OVERCURRENT PROTECTION (15A FUSE/BREAKER TYPICAL) | COACH LIGHTING, ETC CIRCUIT #8 (REF KKZ) |
| KKZ 14 WHT | COACH LIGHTING (REF KKY) | GROUND |
| LLA 14 YEL | OVERCURRENT PROTECTION (15A FUSE/BREAKER TYPICAL) | COACH LIGHTING, ETC CIRCUIT #9 (REF LLB) |
| LLB 14 WHT | COACH LIGHTING (REF LLA) | GROUND |
| LLC 14 YEL | SEAT HEATER BREAKER (15 AMP BREAKER TYPICAL) | SEAT HEATER RELAY POSITION 30 |
| LLD 14 WHT | RUN/ACC FEED #1 (REF JJZ) | GROUND |
| LLE 14 WHT | RUN/ACC FEED #2 (REF KKB) | GROUND |
| LLF 14 YEL | DOME LAMP RELAY | DOME LAMP |
| LLG 12 YEL | CHASSIS SUPPLIED TRAILER BRAKE CIRCUIT | TRAILER CONNECTOR (TRAILER BRAKE) |
| LLH 14 WHT | RUN ONLY GROUND SOURCE (CHASSIS SUPPLIED) | AUX START RELAY |
| LLJ 14 YEL | AUX START RELAY (RUN ONLY POWER) | AUX START SWITCH |
| LLK 10 YEL | CHASSIS BREAKER PANEL (LH FRT SLIDE) (FRT RAM) | CONTROL MODULE (LH FRT SLIDE) |
| LLL 10 WHT | CHASSIS GROUND BAR (LH FRT SLIDE) (FRT RAM) | CONTROL MODULE (LH FRT SLIDE) |
| LLM 10 YEL | CHASSIS BREAKER PANEL (LH FRT SLIDE) (REAR RAM) | CONTROL MODULE (LH FRT SLIDE) |
| LLN 10 WHT | CHASSIS GROUND BAR (LH FRT SLIDE) (REAR RAM) | CONTROL MODULE (LH FRT SLIDE) |
| LLP 10 YEL | CHASSIS BREAKER PANEL (REAR SLIDE RAM) | CONTROL MODULE (REAR SLIDE) |
| LLR 10 WHT | CHASSIS GROUND BAR (REAR SLIDE RAM) | CONTROL MODULE (REAR SLIDE) |
| LLS 10 YEL | CONTROL MODULE (LEFT FRONT SLIDE) | LT FRT SLIDE FRT RAM (MOTOR DRIVE LINE) |
| LLT 10 YEL | CONTROL MODULE (LEFT FRONT SLIDE) | LT FRT SLIDE FRT RAM (MOTOR DRIVE LINE) |

| WIRE IDENTIFICATION CHART | | |
|---------------------------|--|--|
| CODE/COLOR | FROM: | TO: |
| LLU 10 YEL | CONTROL MODULE (LEFT FRONT SLIDE) | LT FRT SLIDE RR RAM (MOTOR DRIVE LINE) |
| LLV 10 YEL | CONTROL MODULE (REAR SLIDE) | REAR SLIDEOUT RAM (MOTOR DRIVE LINE) |
| LLW 10 YEL | CONTROL MODULE (LEFT FRONT SLIDE) | LT FRT SLIDE RR RAM (MOTOR DRIVE LINE) |
| LLX 10 YEL | CONTROL MODULE (REAR SLIDE) | REAR SLIDEOUT RAM (MOTOR DRIVE LINE) |
| LLY 16 WHT | CONTROL MODULE (REAR SLIDE) (GROUND) | SLIDEOUT SWITCH (REAR SLIDEOUT) |
| LLZ 16 YEL | CONTROL MODULE (REAR SLIDE) (RETRACT) | SLIDEOUT SWITCH (REAR SLIDEOUT) |
| MMA 16 YEL | CONTROL MODULE (REAR SLIDE) (STOP) | SLIDEOUT SWITCH (REAR SLIDEOUT) |
| MMB 16 YEL | CONTROL MODULE (REAR SLIDE) (GREEN LED) | SLIDEOUT SWITCH (REAR SLIDEOUT) |
| MMC 16 YEL | CONTROL MODULE (REAR SLIDE) (EXTEND) | SLIDEOUT SWITCH (REAR SLIDEOUT) |
| MMD 16 YEL | CONTROL MODULE (REAR SLIDE) (RED LED) | SLIDEOUT SWITCH (REAR SLIDEOUT) |
| MME 10 YEL | CHASSIS SIDE OF SOLENOID (FRT LT/REAR SLIDE RAMS) | BREAKER PANEL BUSS BAR (FRT LT/REAR SLIDE RAMS) |
| MMF 10 YEL | CHASSIS SIDE OF SOLENOID (FRT RT SLIDE RAMS) | BREAKER PANEL BUSS BAR (FRT RT SLIDE RAMS) |
| MMG 10 YEL | CHASSIS SIDE OF SOLENOID (REAR SLIDE RAM) | BREAKER PANEL (REAR SLIDE RAM) |
| MMH 16 YEL | OVERCURRENT PROTECTION (6 AMP BREAKER TYPICAL) | POWER SUNVISOR SWITCH |
| MMJ 16 WHT | GROUND | POWER SUNVISOR SWITCH |
| MMK 16 YEL | BEDROOM STEREO (LEFT SPEAKER REF) | CROSS OVER BOX (POSITIVE) |
| MML 16 WHT | BEDROOM STEREO (LEFT SPEAKER REF) | CROSS OVER BOX (NEGATIVE) |
| MMM 16 YEL | BEDROOM STEREO (RIGHT SPEAKER REF) | CROSS OVER BOX (POSITIVE) |
| MMN 16 WHT | BEDROOM STEREO (RT/WOOFER SPKER REF) | CROSS OVER BOX (NEGATIVE) |

| WIRE IDENTIFICATION CHART | | |
|---------------------------|--|--|
| CODE/COLOR | FROM: | TO: |
| MMP 16 YEL | CROSS OVER COIL (POSITIVE) | SUBWOOFER (BEDROOM) |
| MMR 14 YEL | CHASSIS TOW MARKER LAMPS CIRCUIT | TRAILER CONNECTOR (TAIL/MARKER LAMPS) |
| MMS 12 YEL | +12V | PASSENGER AC/HEATER CONTROLS |
| MMT 12 YEL | PASSENGER FAN SWITCH (LOW SPEED) | PASSENGER FAN |
| MMU 12 YEL | PASSENGER FAN SWITCH (MED SPEED) | PASSENGER FAN |
| MMV 12 YEL | PASSENGER FAN SWITCH (HIGH SPEED) | PASSENGER FAN |
| MMW 16 YEL | +12V | PASSENGER CONTROL PANEL LAMPS |
| MMX 16 WHT | PASSENGER CONTROL PANEL LAMPS | GROUND |
| MMY 16 WHT | PASSENGER TEMP AND VENT CONTROL | GROUND |
| MMZ 12 YEL | SLIDEOUT ROOM CONTROL SWITCH (RAM #1) | SLIDEOUT DRIVE MOTOR LEAD #1 |
| NNA 12 YEL | SLIDEOUT ROOM CONTROL SWITCH (RAM #1) | SLIDEOUT DRIVE MOTOR LEAD #2 |
| NNB 16 YEL | CONTROL MODULE (FRONT SLIDE) (SIGNAL) | FRONT SLIDE FRONT RAM (ENCODER) |
| NNC 16 YEL | CONTROL MODULE (FRONT SLIDE) (+) | FRONT SLIDE FRONT RAM (ENCODER) |
| NND 16 WHT | CONTROL MODULE (FRONT SLIDE) (-) | FRONT SLIDE FRONT RAM (ENCODER) |
| NNE 16 YEL | CONTROL MODULE (FRONT SLIDE) (SIGNAL) | FRONT SLIDE REAR RAM (ENCODER) |
| NNF 16 YEL | CONTROL MODULE (FRONT SLIDE) (+) | FRONT SLIDE REAR RAM (ENCODER) |
| NNG 16 WHT | CONTROL MODULE (FRONT SLIDE) (-) | FRONT SLIDE REAR RAM (ENCODER) |
| NNH 12 YEL | CONTROL MODULE (RAM #2) | SLIDEOUT ACTURATOR DRIVE LEAD #1 |
| NNJ 12 YEL | CONTROL MODULE (RAM #2) | SLIDEOUT ACTURATOR DRIVE LEAD #2 |

| WIRE IDENTIFICATION CHART | | |
|---------------------------|--|--|
| CODE/COLOR | FROM: | TO: |
| NNK 16 YEL | KEYLESS ENTRY TOUCH PAD SIGNAL | ENTRANCE DOOR TOUCH PAD |
| NNL 16 YEL | PASSENGER TEMP CONTROL (CONTROL OUT) | PASSENGER AC/HEATER |
| NNM 16 YEL | PASSENGER VENT CONTROL (CONTROL OUT) | PASSENGER VENT |
| NNN 16 YEL | CONTROL MODULE (RIGHT FRONT SLIDE) (STOP) | SLIDEOUT SWITCH (RIGHT FRONT SLIDE) |
| NNP 16 YEL | CONTROL MODULE (RIGHT FRONT SLIDE) (GREEN LED) | SLIDEOUT SWITCH (RIGHT FRONT SLIDE) |
| NNR 16 YEL | CONTROL MODULE (RIGHT FRONT SLIDE) (RED LED) | SLIDEOUT SWITCH (RIGHT FRONT SLIDE) |
| NNS 16 WHT | CONTROL MODULE (RIGHT FRONT SLIDE) (GROUND) | SLIDEOUT SWITCH (RIGHT FRONT SLIDEOUT) |
| NNT 16 YEL | CONTROL MODULE (RIGHT FRONT SLIDE) (SIGNAL) | RIGHT FRONT SLIDE, FRONT RAM (ENCODER) |
| NNU 16 YEL | CONTROL MODULE (RIGHT FRONT SLIDE) (+) | RIGHT FRONT SLIDE, FRONT RAM (ENCODER) |
| NNV 16 WHT | CONTROL MODULE (RIGHT FRONT SLIDE) (-) | RIGHT FRONT SLIDE, FRONT RAM (ENCODER) |
| NNW 16 YEL | CONTROL MODULE (RIGHT FRONT SLIDE) (SIGNAL) | RIGHT FRONT SLIDE, REAR RAM (ENCODER) |
| NNX 16 YEL | CONTROL MODULE (RIGHT FRONT SLIDE) (+) | RIGHT FRONT SLIDE, REAR RAM (ENCODER) |
| NNY 16 WHT | CONTROL MODULE (RIGHT FRONT SLIDE) (-) | RIGHT FRONT SLIDE, REAR RAM (ENCODER) |
| NNZ 10 YEL | CHASSIS BREAKER PANEL (RH FRT SLIDE) (FRT RAM) | CONTROL MODULE (RIGHT FRONT SLIDE) |
| PPA 10 WHT | CHASSIS GROUND BAR (RH FRT SLIDE) (FRT RAM) | CONTROL MODULE (RIGHT FRONT SLIDE) |
| PPB 10 YEL | CHASSIS BREAKER PANEL (RH FRT SLIDE) (REAR RAM) | CONTROL MODULE (RIGHT FRONT SLIDE) |
| PPC 10 WHT | CHASSIS GROUND BAR (RH FRT SLIDE) (REAR RAM) | CONTROL MODULE (RIGHT FRONT SLIDE) |
| PPD 10 YEL | CONTROL MODULE (RIGHT FRONT SLIDE) | RH FRT SLIDE FRT RAM (MOTOR DRIVE LINE) |
| PPE 10 YEL | CONTROL MODULE (RIGHT FRONT SLIDE) | RH FRT SLIDE FRT RAM (MOTOR DRIVE LINE) |

| WIRE IDENTIFICATION CHART | | |
|---------------------------|--|---|
| CODE/COLOR | FROM: | TO: |
| PPF 10 YEL | CONTROL MODULE (RIGHT FRONT SLIDE) | RH FRT SLIDE RR RAM (MOTOR DRIVE LINE) |
| PPG 10 YEL | CONTROL MODULE (RIGHT FRONT SLIDE) | RH FRT SLIDE RR RAM (MOTOR DRIVE LINE) |
| PPH 14 YEL | CHASSIS CLEARANCE LAMPS CRT #2 (REF MM) | CLEARANCE/MARKER LAMPS |
| PPJ 14 YEL | PASSENGER SUNVISOR SWITCH DRIVER'S SIDE | PASSENGER SUNVISOR SWITCH PASSENGER'S SIDE |
| PPK 14 YEL | PASSENGER SUNVISOR SWITCH DRIVER'S SIDE | PASSENGER SUNVISOR SWITCH PASSENGER'S SIDE |
| PPL 14 YEL | DASH RADIO ACCESSORY POWER | TV/RADIO SPEAKER SELECTOR SWITCH |
| PPM 14 YEL | OVERCURRENT PROTECTION (15A BREAKER TYPICAL) | LEFT FRONT SLIDEOUT LOCK SWITCH |
| PPN 14 WHT | LEFT FRONT SLIDEOUT LOCK SWITCH (REF PPM) | GROUND |
| PPP 14 YEL | OVERCURRENT PROTECTION (15A BREAKER TYPICAL) | RIGHT FRONT SLIDEOUT LOCK SWITCH |
| PPR 14 WHT | RIGHT FRONT SLIDEOUT LOCK SWITCH (REF PPP) | GROUND |
| PPS 14 YEL | LEFT FRONT SLIDEOUT LOCK SWITCH | LEFT FRONT SLIDEOUT LOCK MOTOR |
| PPT 14 YEL | LEFT FRONT SLIDEOUT LOCK SWITCH | LEFT FRONT SLIDEOUT LOCK MOTOR |
| PPU 14 YEL | RIGHT FRONT SLIDEOUT LOCK SWITCH | RIGHT FRONT SLIDEOUT LOCK MOTOR |
| PPV 14 YEL | RIGHT FRONT SLIDEOUT LOCK SWITCH | RIGHT FRONT SLIDEOUT LOCK MOTOR |
| PPW 14 YEL | SLIDEOUT LOCK SWITCH W/SLIDEOUT SWITCH #1 IN DASH | SLIDEOUT ROOM #1 SWITCH (POSITIVE) |
| PPX 14 YEL | SLIDEOUT LOCK SWITCH W/SLIDEOUT SWITCH #3 IN DASH | SLIDEOUT ROOM #3 SWITCH (POSITIVE) |
| PPY 14 YEL | SLIDEOUT LOCK SWITCH W/SLIDEOUT SWITCH #4 IN DASH | SLIDEOUT ROOM #4 SWITCH (POSITIVE) |
| PPZ 12 YEL | CHASSIS SUPPLIED WIRING | TRAILER TOW BATTERY FEED (7 WAY TOW CONNECTOR) |
| RRA 14 YEL | GENERAL SWITCH | GENERAL LAMP |

| WIRE IDENTIFICATION CHART | | |
|---------------------------|---|--|
| CODE/COLOR | FROM: | TO: |
| RRB 14 YEL | GENERAL SWITCH | GENERAL LAMP |
| RRC 14 YEL | GENERAL SWITCH | GENERAL LAMP |
| RRD 14 YEL | GALLEY CEILING FAN SWITCH | GALLEY CEILING FAN |
| RRE 14 YEL | 10 OHM RESISTOR | LOUNGE CEILING FAN (LOW SPEED) |
| RRF 14 YEL | BEDROOM READING LAMP SWITCH | BEDROOM READING LAMP |
| RRG 14 YEL | BEDROOM READING LAMP SWITCH #1 (2 SWITCH SYSTEM) | BEDROOM READING LAMP SWITCH #2 (2 SWITCH SYSTEM) |
| RRH 14 YEL | BEDROOM READING LAMP SWITCH #1 (2 SWITCH SYSTEM) | BEDROOM READING LAMP SWITCH #2 (2 SWITCH SYSTEM) |
| RRJ 12 WHT | SEVEN PIN CONNECTOR (TRAILER CONNECTOR) | GROUND |
| RRK 16 YEL | GALLEY HOLDING TANK | SELECTOR SWITCH |
| RRL 16 YEL | HOLDING TANK SELECTOR SWITCH | MONITOR PANEL |
| RRM 14 YEL | CENTER POWER SUNVISOR SWITCH | CENTER SUNVISOR |
| RRN 14 YEL | CENTER POWER SUNVISOR SWITCH | CENTER SUNVISOR |
| RRP 16 YEL | THERMOSTAT (LOW STAGE) | FURNACE (LOW STAGE) |
| RRR 16 YEL | THERMOSTAT (HIGH STAGE) | FURNACE (HIGH STAGE) |
| RRS 16 YEL | SLIDEOUT LOCK SWITCH (#1) | SLIDEOUT LOCK SWITCH (#2) |
| RRT 16 YEL | AWNING CONTROL BOX (LOCATED IN HOUSING PIN 1) | DOOR AWNING LIMIT SWITCH (LOCATED IN HOUSING PIN 1) |
| RRU 16 WHT | AWNING CONTROL BOX (LOCATED IN HOUSING PIN 2) | DOOR AWNING LIMIT SWITCH (LOCATED IN HOUSING PIN 2) |
| RRV 14 YEL | VIDEO CAMERA SWITCHER | MONITOR |
| RRW 14 YEL | LOCKOUT POSITIONING SWITCH | FIREPLACE LOCKOUT RECP |

| CODE/COLOR | FROM: | WIRE IDENTIFICATION CHART TO: |
|---------------|--|---|
| RRX 10 YEL | 12V BREAKER PANEL (30 AMP TYPICAL) | SMART FUSE BLOCK (POSITIVE) |
| RRY 18 YEL | SMART FUSE BLOCK (COMMUNICATION BUS) | SMART FUSE SWITCH PANEL |
| RRZ 18 WHT | SMART FUSE BLOCK (COMMUNICATION GROUND) | SMART FUSE SWITCH PANEL |
| 000 | CURRENT DRAW LIST | NOTE: LISTS OF CURRENT DRAWS FOR STD TRADE NO. BULBS ARE AVAILABLE |
| 001 | 12 VOLT COACH LIGHTING SEE LINE 500 FOR 120 VOLT | SEE LINE 300 FOR 12 VOLT AUTO SEE LINE 700 FOR 12V FANS,ETC |
| 002 | LAMP (CEILING, COMPT, ETC) 1.44AMPS (#1141 BULB) | PROGRESSIVE DYNAMICS 771 098024-01-CHT |
| 003 | LAMP (CEILING, ETC) 2.88AMPS (2 #1141 BULBS) | PROGRESSIVE DYNAMICS 773 098024-03-CHT |
| 004 | LAMP (MAKEUP) 3.06AMPS (3 #20-99 BULBS) | PROGRESSIVE DYNAMICS 200-621 110235-01-CHT |
| 005 | LAMP (MAKEUP) 4.08AMPS (4 #20-99 BULBS) | PROGRESSIVE DYNAMICS 200-622 110235-02-CHT |
| 006 | LAMP (DOME, COMPT, ETC) 0.52AMPS (#1414 BULB) | JENSEN 1236 086280-01-000 |
| 007 | LAMP (WARDROBE) 0.97AMPS (#561 BULB) | PROGRESSIVE DYNAMICS 210-111 087694-01,02-000 |
| 008 | LAMP (OVER DINETTE) 1.00/1.40AMPS (#912/921 BULB) | GUSTAFSON 548PB-3L CHANDELIER 093575-08-CHT |
| 009 | LAMP (WALL) 3.60AMPS (2 #1076 BULBS) | GUSTAFSON 2-BULB W/SHADE 087140-01 THRU 07,10-CHT |
| 010 | LAMP (WALL) 1.00/1.40AMPS (#912/921 BULB) | GUSTAFSON SCONCE 087140-08-CHT |
| 011 | LAMP (WALL) 1.00/1.40AMPS (#912/921 BULB) | GUSTAFSON SWIVEL 087140-11,12-CHT |
| 012 | LAMP (DINETTE OVHD) 2.88AMPS (2 #1141 BULBS) | GUSTAFSON 514F RECTANGULAR 093575-06-CHT |
| 013 | LAMP (OVHD, CEILING) 0.94AMPS (#1003 BULB) | INTERTEK Y-605-20 083167-04-CHT |
| 014 | LAMP (READING) 15CP BULB | A.W. ASPLUND 81-905 104173-01-CHT |
| 015 | LAMP (READING) 1.44AMPS (#1141 BULB) | R.T. SALES 787 (CANADIAN) 104172-01-CHT |

| CODE/COLOR | FROM: | WIRE IDENTIFICATION CHART TO: |
|------------|---|--|
| 016 | RANGE HOOD LAMP 1.00AMP (#912 BULB) | |
| 017 | LAMP (CEILING FLUORESCENT) 2.34AMPS (2 #F15T8-CW) | THINLITE 736 091936-01-CHT |
| 018 | LAMP (OVHD FLUORESCENT) 1.25AMPS (2 #F8T5-CW) | THINLITE 732 091936-02-CHT |
| 019 | LAMP (PORCH, ETC) 0.94/1.04AMPS (#1003/93 BULB) | BARGMAN 30-78-5XX 097917-01-CHT |
| 020 | LAMP (FLUORESCENT) 0.8AMPS | GUEST 83GC-35-B 111217-01-CHT |
| 021 | LAMP (WALL) 3.60AMPS (2 #1076 BULBS) | GUSTAFSON 53-507XB7YZ 119258-01-CHT |
| 022 | LAMP (DINETTE OVHD) 3.60AMPS (2 #1076 BULBS) | GUSTAFSON 56-550XZ 093575-09-CHT |
| 023 | LAMP (COURTESY) .1 AMPS | INTERTEK Y-191-02 061424-01-000 |
| 024 | LAMP (DINETTE OVHD) 3-BULB | GUSTAFSON 55-548XZ 093575-10-CHT |
| 025 | LAMP-HALOGEN, ROUND WITH 10 WATT BULB (.83 AMP) | GUSTAFSON 99-9112YZ 123775-01-CHT |
| 026 | LAMP-HALOGEN, COLLAR BRASS | GUSTAFSON 99-31030G0 123775-02-CHT |
| 027 | LAMP (MAKEUP W/MIRROR) 4 BULB (4.32 AMP) | GUSTAFSON 58-524XZ 123774-01-CHT |
| 028 | BULB (MAKEUP, WHITE) 12 VOLT 13 WATT 1.08 AMP | GUSTAFSON 71-9019F 123918-01-000 |
| 029 | LAMP-READING, SWIVEL 12 VOLT W/SWITCH BRASS | GUSTAFSON 99-7481XY 123916-01-CHT |
| 030 | BULB (READING) 12 VOLT 15 WATT 1.25 AMP | GUSTAFSON 71-1383 123917-01-000 |
| 031 | LAMP-FLUORESCENT 12 V .7 AMP (F8T5/CW) | THINLITE 141 UL/CSA 113371-01-CHT |
| 032 | LAMP-FLUORESCENT 12 V 1.25 AMP (F15T8/CW) | THINLITE 143 UL/CSA 113371-02-CHT |
| 033 | LAMP-FLUORESCENT 12V 2.5 AMP (F30T8/CW) | THINLITE 147 UL/CSA 113371-03-CHT |
| 034 | LAMP (COURTESY, ROUND) BULB, PHILIPS 12842, .1 AMP | ITC MARINE 81395-B 108354-01-CHT |

| CODE/COLOR | FROM: | WIRE IDENTIFICATION CHART TO: |
|------------|--|---|
| 035 | LAMP-READING W/SWITCH 12V,20 WATT BULB, 1.7 AMP | MODEL PY-523 132427-01-CHT |
| 036 | DETECTOR-LP GAS .04 AMPS | MODEL 7770.274 103613-03-000 |
| 037 | EXTERIOR RADIO 1.2 AMPS NORMAL VOLUME | SINGLE DEN RADIO 2.9 AMPS FULL VOLUME |
| 038 | BEDROOM RADIO .9 AMPS NORMAL VOLUME | AUDIOVOX AWM 930 (133307-02) 3.5 AMPS FULL VOLUME |
| 039 X | X X | X X |
| 040 X | X X | X X |
| 16 YEL | AUX HEAT, A/C UNIT | THERMOSTAT |
| 300 | 12 VOLT AUTOMOTIVE SEE 500 FOR 120 VOLT | SEE 000 FOR 12V COACH LIGHTING SEE 700 FOR 12V FANS,ETC |
| 301 | TYPICAL TAILLAMP CURRENT DRAW: 1156,1157,3156, OR 3157 BULBS | STOP=2.10AMPS,BACKUP=2.10AMPS, MARKER=0.59AMPS,TURN=2.10AMPS |
| 302 | TYPICAL CLEARANCE/SIDEMARKER: 194 OR 1895 BULB | 0.27AMPS FRT TURN: 2.10AMPS(#1156 BULB) |
| 303 | DOCKING LAMP 2.10AMPS(#1156 BULB) | TRIPLEX 147W 106688-04-000 |
| 304 | DOCKING LAMP 2.73AMPS(#4411 SEALED BEAM) | K-D LAMP 895-2353 105901-01-000 |
| 305 | HEADLAMP(LOW/HIGH BEAM, RT<) 3.13/4.69AMP(#4652SEALED BEAM) | GM16508079,16508080,5973929 049185,049186-01-000 |
| 306 | HEADLAMP(HIGH BEAM) 3.91AMPS(#4651 SEALED BEAM) | GM16508077,16508078,5966079 049187,049188-01-000 |
| 307 | HEADLAMP(LOW/HIGH BEAM, RT<) 4.30/5.08AMP(#6052SEALED BEAM) | GM 5968097 070907-01-000 |
| 308 | FOG LAMP 4.30AMPS | BOSCH 9 307 230 020 088747-01-000 |
| 309 | FOG LAMP 3.91AMPS(#9420 SEALED BEAM) | PER LUX 550-SERIES 088747-03-000 |
| 310 | INSTRUMENT PANEL LAMP 0.12AMPS(#74 BULB) | 103603-01-000 BULB |
| 311 | LICENSE PLATE LAMP 0.35AMPS(#168 BULB) | BARGMAN 30-60-001,30-60-102 066432-01,02-000 |

| CODE/COLOR | FROM: | WIRE IDENTIFICATION CHART TO: |
|----------------|---|---|
| 312 | VACUUM PUMP 0.65AMPS,13.5VOLTS | EVANS RV212471 114802-01-000 |
| 313 | X | X |
| 314 | X | X |
| 315 | X | X |
| 316 | X | X |
| 317 | X | X |
| 318 | X | X |
| 319 | X | X |
| 320 | X | X |
| 500 | 120 VOLT COMPONENTS SEE 300 FOR 12 VOLT AUTO | SEE 000 FOR 12V COACH LIGHTING SEE 700 FOR 12V FANS,ETC |
| 501 | COFFEE MAKER(NOT CARAFE STYLE) 8.3AMPS,1000WATTS(NAME PLATE) | BLACK&DECKER SDCID (SDC-2A?) 092306-01-000&103799-01-CHT |
| 502 | VCR 0.15AMPS,17WATTS(NAME PLATE) | MAGNAVOX VR9210,VR9320 098446-06,07-000 |
| 503 | MICROWAVE 10.2AMPS,1225WATTS(NAME PLATE) | MAGIC CHEF MCD-DM15K-7B 115303-01-000(95,96D,F,C) |
| 504 | MICROWAVE-CONVECTION 12.8AMPS (NAME PLATE) | PANASONIC NN-8501V 102479-01-000(91-94P,95M,Q) |
| 505 | MICROWAVE 10.0AMPS,1200WATTS(NAMEPLATE) | MAGIC CHEF M16-10PB 091269-03-000 |
| 506 SEE 704 | REFRIGERATOR(3-WAY) 1.4AMPS @120V, 11.7AMPS @12V | NORCOLD 113737-01-CHT(94,95H) |
| 507 SEE 706 | REFRIGERATOR 2.7AMPS,300WATTS(NAME PLATE) | NORCOLD 6162 104138-04,05-CHT(92-95C,F) |
| 508 SEE 707 | REFRIGERATOR 2.7AMPS,300WATTS(NAME PLATE) | NORCOLD 6182 104137-06,07,08,09-CHT(93-95G) |
| 509 SEE 708 | REFRIGERATOR 2.7AMPS,300WATTS(NAME PLATE) | NORCOLD 682 104137-02,03,04,05-CHT(92-95M) |

| CODE/COLOR | FROM: | WIRE IDENTIFICATION CHART TO: |
|----------------|---|--|
| 510 SEE 709 | REFRIGERATOR 1.7AMPS,200WATTS (NAME PLATE) | NORCOLD 6052 102621-04-CHT(93-95D) |
| 511 | TELEVISION-13" 1.00AMP (NAME PLATE) | MAGNAVOX 13PRC10 098447-11-000(95,95F,Q) |
| 512 | TELEVISION-13"CSA 1.00AMP (NAME PLATE) | MAGNAVOX XR1333 098447-10-000(93M) |
| 513 SEE 710 | TELEVISION-9" AC/DC 0.46AMPS,55WATTS (NAME PLATE) | MAGNAVOX RD0945 092310-02,03-000 |
| 514 | TELEVISION-19" CSA 1.2AMPS (NAME PLATE) | MAGNAVOX XR1933 108096-06-000(94,95M,Q) |
| 515 | TELEVISION-19" 0.71AMPS,85WATTS (NAME PLATE) | AUDIOVOX ATV-1975 113684-01-000(94,95C,F) |
| 516 | CONVERTER-ELECTRONIC,40AMP 5.5AMPS,660WATTS (NAME PLATE) | MAGNETEK 7240 109171-01-000 |
| 517 | CONVERTER-ELECTRONIC,55AMP 7.75AMPS,930WATTS (NAME PLATE) | MAGNETEK 7255 108171-02-000 |
| 518 | WATER HEATER 12.5AMPS,1500WATTS (NAME PLATE) | ATWOOD EHM4-SM 113122-01-000 |
| 519 | WATER HEATER(EUROPEAN,220VOLT) | ATWOOD EHM4-220 113122-02-000 |
| 520 | CONVERTER-LINEAR,20AMP 3.5AMPS (NAME PLATE) | MAGNETEK 3220CPX 092615-02-000 VW B-VAN |
| 521 | BLENDER (BUILT IN) 5.4AMPS,650WATTS (NAME PLATE) | NUTONE 251 023111-01-000 (OLD M40) |
| 522 | HAIR DRYER (WALL MOUNT) 10.0AMPS,1200WATTS (NAMEPLATE) | OSTER 317-06 096696-01-CHT (OLD M40) |
| 523 | VACUUM CLEANER (BUILT IN) 7.0AMPS (NAMEPLATE) | HP 19-1 108186-01-000 |
| 524 | CONVERTER-LINEAR,45 AMP 7.8AMPS (NAME PLATE) | MAGNETEK MODEL 6345 (BW 6345) 083208-02-000 |
| 525 | CONVERTER-ELECTRONIC,55 AMP 8.13AMPS,975WATTS (NAME PLATE) | MAGNETEK 7455BT 123058-01-000 13.6 VOLT |
| 526 | CONVERTER-ELECTRONIC 45AMP 6.46AMPS,775WATTS (NAME PLATE) | MAGNETEK 7445 123058-02-000 13.6 VOLT |
| 527 | TELEVISION-19' 1/8JACK UL/CSA AMPS, WATTS (NAME PLATE) | RCA F19207M 124075-03-000 |
| 528 | DISHWASHER 10. AMP | X 107752-01 |

| CODE/COLOR | FROM: | WIRE IDENTIFICATION CHART TO: |
|----------------|---|--|
| 529 | WASHER/DRYER CIRCUIT BREAKER 20A US,15A CSA | BENDIX 12.8 AMP MFG RATING 107753-03-CHT |
| 530 | X | X |
| 531 | X | X |
| 532 | X | X |
| 533 | X | X |
| 534 | X | X |
| 535 | X | X |
| 700 | 12 VOLT COACH EXCEPT LIGHTING SEE 300 FOR 12 VOLT AUTO | SEE 000 FOR 12V COACH LIGHTING SEE 500 FOR 120 VOLT |
| 701 | VENT FAN(3-SPEED CEILING) 1.86,2.29,3.00AMPS (LO,MED,HI) | FANTASTIC 088265-01 THRU 11-CHT |
| 702 | VENT FAN 1.30AMPS | JENSEN 110051-02 THRU 10-CHT |
| 703 | VENT FAN 1.20AMPS | CAPCO 090394-01-XXX |
| 704 SEE 506 | REFRIGERATOR(3-WAY) 11.7AMPS @12V, 1.4AMPS @120V | NORCOLD 113737-01-CHT 94,95 RIALTA |
| 705 | WATER PUMP 4.0AMPS | SHURFLO 2088-403-144 098607-01-000 |
| 706 SEE 507 | REFRIGERATOR 1.8AMPS (NAME PLATE) | NORCOLD 6162 104138-04,05-CHT |
| 707 SEE 508 | REFRIGERATOR 1.8AMPS (NAME PLATE) | NORCOLD 6182 104137-06,07,08,09-CHT |
| 708 SEE 509 | REFRIGERATOR 1.8AMPS (NAME PLATE) | NORCOLD 682 104137-02,03,04,05-CHT |
| 709 SEE 510 | REFRIGERATOR 0.5AMPS (NAME PLATE) | NORCOLD 6052 102621-04-CHT |
| 710 SEE 513 | TELEVISION-9" AC/DC 3.0AMPS,36WATTS (NAME PLATE) | MAGNAVOX RD0945 092310-02,03-000 |
| 711 | FURNACE-20000(19000?)BTU 2.8AMPS (NAME PLATE) | SUBURBAN NT-20S 075697-01-000 |

| WIRE IDENTIFICATION CHART | | |
|---------------------------|---|--|
| CODE/COLOR | FROM: | TO: |
| 712 | WATER HEATER €1.00AMP (NAME PLATE) | ATWOOD G6A-7E 051391-03-000 |
| 713 | WATER PUMP 2.1AMPS (NAME PLATE) | SHURFLO 100-000-21 111225-01-000 VW B-VAN |
| 714 | FURNACE-12000BTU 2.8AMPS (NAME PLATE) | SUBURBAN NT-12S 075697-05-000 VW B-VAN |
| 715 | FURNACE-17000BTU | X 101990-03-000 (95D) |
| 716 | TELEVISION-13" AC/DC AMPS, 77WATTS (NAME PLATE) | RCA E13335GY 124074-02-000 |
| 717 | TELEVISION-13' AC/DC 4.0AMPS, WATTS (NAME PLATE) | AUDIOVOX 086231-08-000 |
| 718 | FURNACE 25000 BTU 6.5 AMPS (NAME PLATE) | SUBURBAN SF-25 2289 098668-19-000 |
| 719 | FURNACE 30000 BTU 6.5 AMPS (NAME PLATE) | SUBURBAN SF-30 2290 098668-20-000 |
| 720 | FURNACE 35000 BTU 9.0 AMPS (NAME PLATE) | SUBURBAN SF-35 2291 098668-21-000 |
| 721 | FURNACE 40000 BTU 11.5 AMPS (NAME PLATE) | SUBURBAN SF-42 2292 098668-22-000 |
| 722 | PLAYER-CASSETTE, VIDIO AUDIVX 12V, 12 WATT | ASA AVP-7000 094487-04-000 |
| 723 | X X | X X |
| 724 | X X | X X |
| 725 | X X | X X |