



DANGER

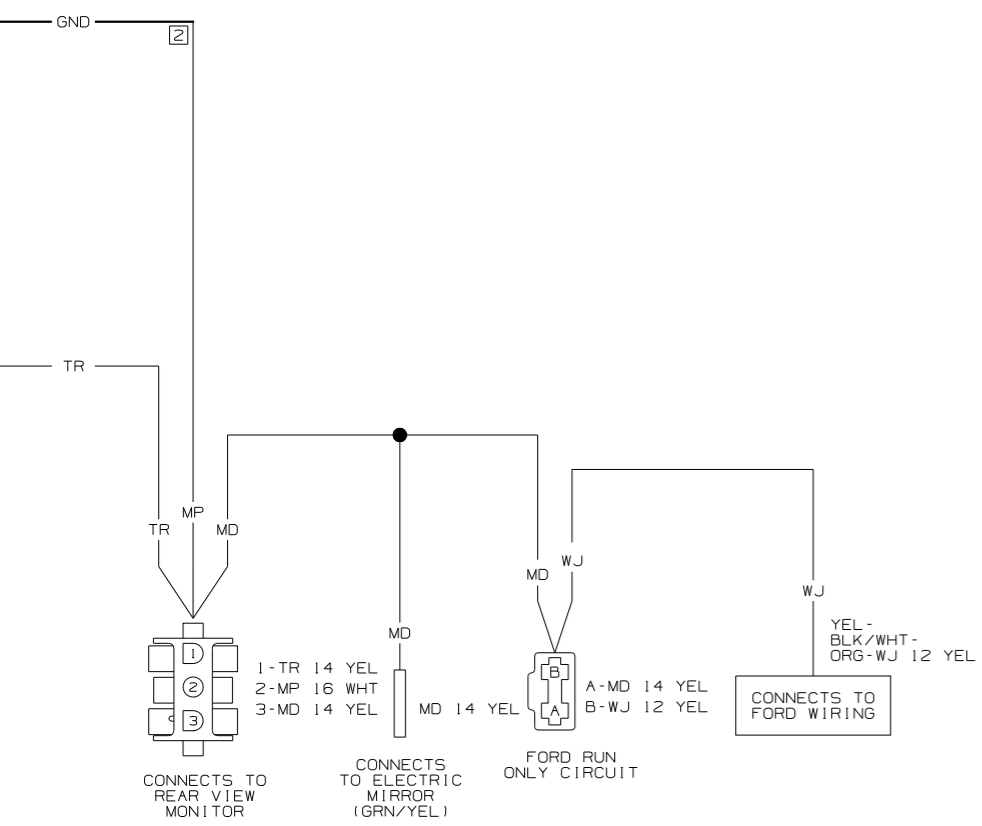
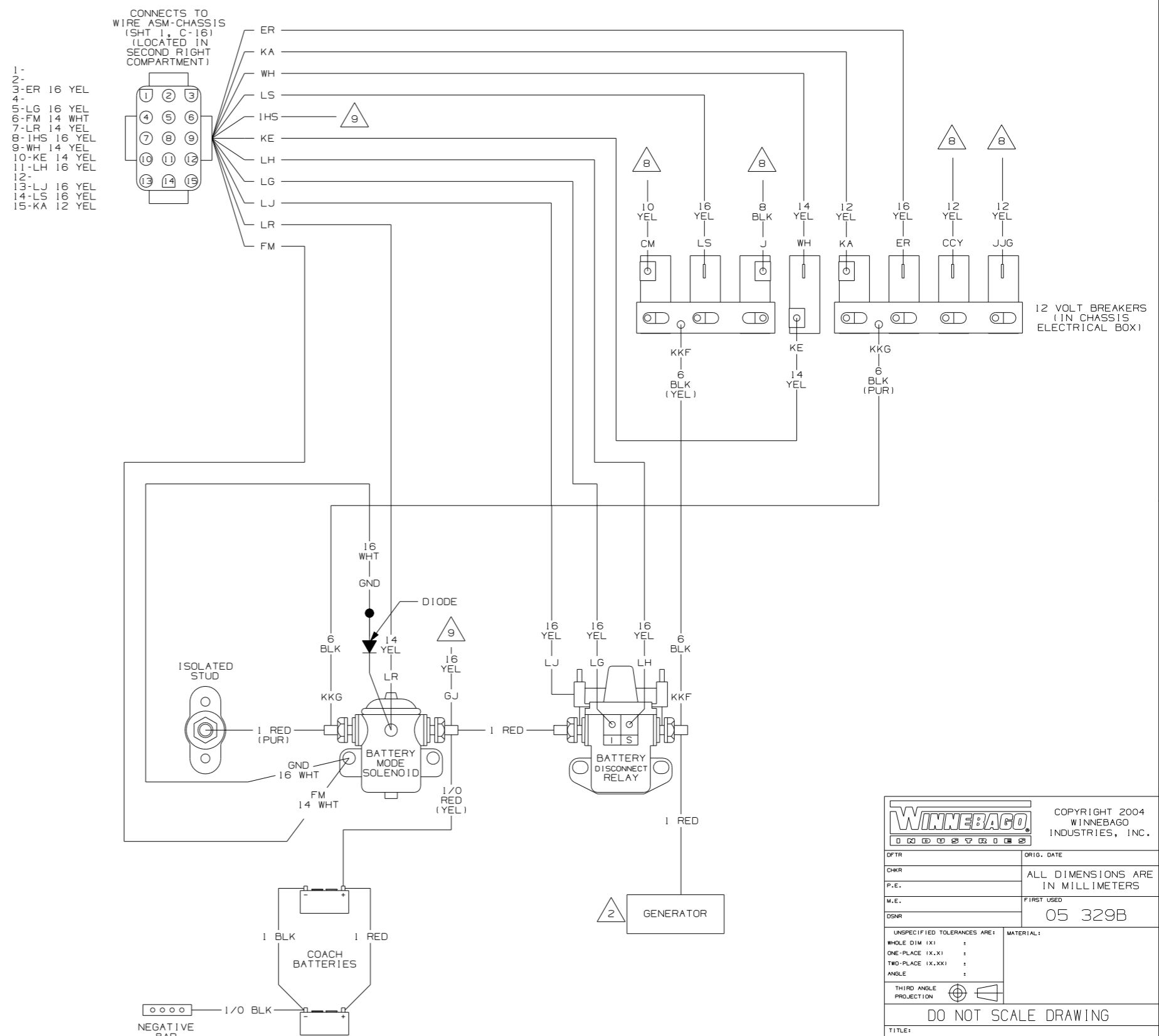
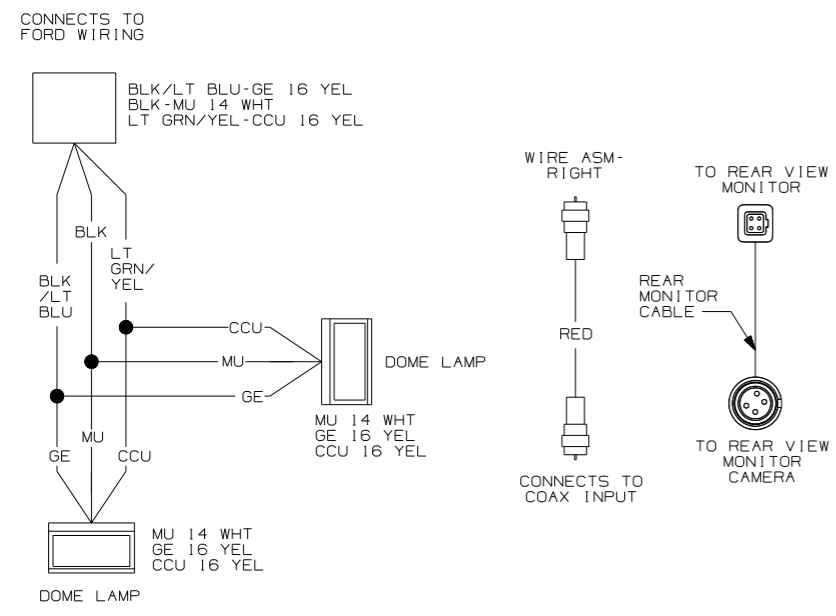
Danger of electrical shock, burns or death. Always remove all power sources before attempting any repair, service or diagnostic work. Power can be present from shore power, generator, inverter or battery. All power sources must be disabled and secured before performing any service.



CAUTION

If you lack the skills, tools or equipment to perform diagnostic or repair work leave such work to an authorized Winnebago Industries dealer or other qualified shop.

RELEASE	REV DATE A	DWG NO 149000
REV ZONE B	REVISION RECORD S6A1	DATE 03/18/04
	CORRECT PART NUMBER	7494-7494



WIRING DIAGRAM-CHASSIS (WIRE ASM 149021-01 REV-D)

WIRING DIAGRAM-ELECTRICAL BOX (WIRE ASM 124125-04 REV-K)

WINNEBAGO COPYRIGHT 2004 WINNEBAGO INDUSTRIES, INC.

DFTR	ORIG. DATE
CHRR	ALL DIMENSIONS ARE IN MILLIMETERS
P.E.	FIRST USED
M.E.	05 329B
DSNR	

UNSPECIFIED TOLERANCES ARE: MATERIAL:

WHOLE DIM (XX) :
ONE-PLACE (X.X) :
TWO-PLACE (X.XX) :
ANGLE :

THIRD ANGLE PROJECTION

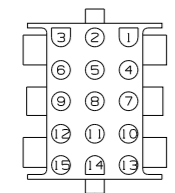
DO NOT SCALE DRAWING

TITLE: WIRING DIAGRAM-BODY, 12V

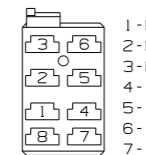
SHEET 1 of 6 PART NO 149000

WIRE ASM- ELECTRICAL BOX (SHT 1, D-5)

- 1-
- 2-
- 3-ER 16 YEL
- 4-
- 5-LG 16 YEL
- 6-FM 14 WHT
- 7-LR 14 YEL
- 8-
- 9-WH 14 YEL
- 10-KE 14 YEL
- 11-LH 16 YEL
- 12-
- 13-LJ 16 YEL
- 14-LS 16 YEL
- 15-KA 12 YEL

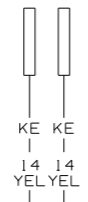


BATTERY CHANGE OVER SWITCH

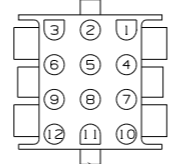


- 1-LS 16 YEL
- 2-LR 14 YEL
- 3-KE 14 YEL
- 4-
- 5-
- 6-
- 7-
- 8-

FORD RUN ONLY CIRCUIT



WIRE ASM- RIGHT (SHT 2, D-4) LOCATED BELOW REFRIGERATOR CABT.



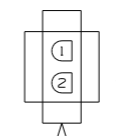
- 1-LJ 16 YEL
- 2-ER 16 YEL
- 3-ES 16 YEL
- 4-GGN 12 YEL
- 5-GGP 12 YEL
- 6-JJG 12 YEL
- 7-DS 12 WHT
- 8-DY 16 WHT
- 9-JD 14 YEL
- 10-JF 14 YEL
- 11-LG 16 YEL
- 12-LH 16 YEL

SLIDEOUT ACTUATOR #2



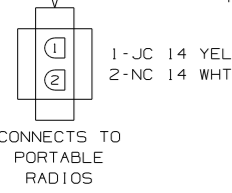
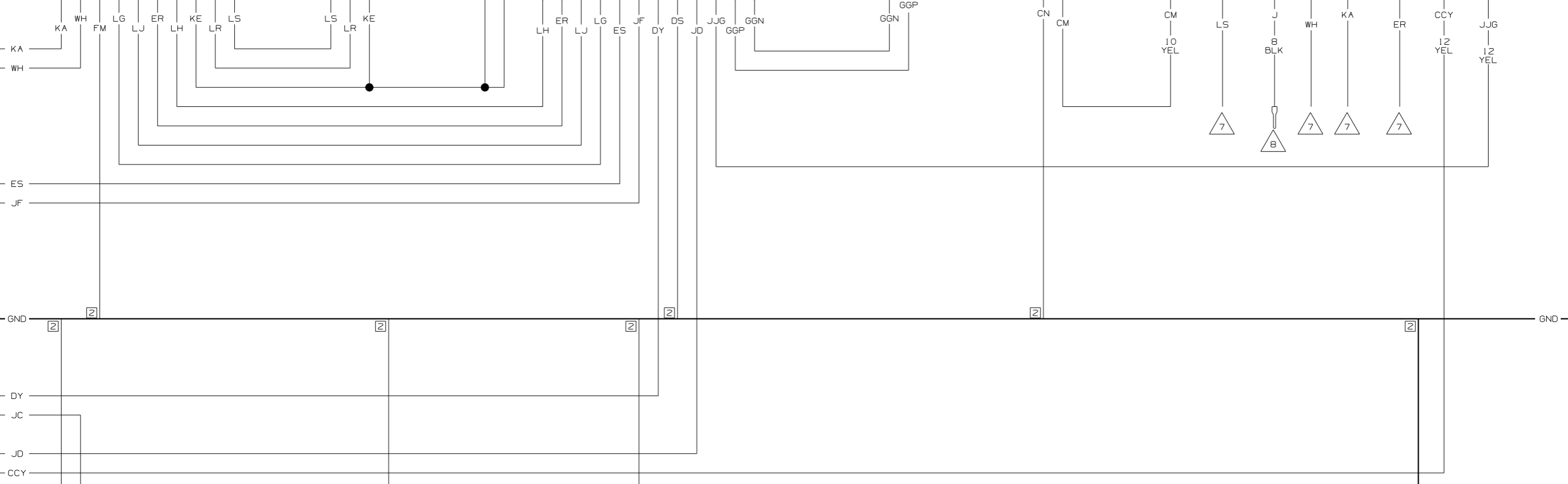
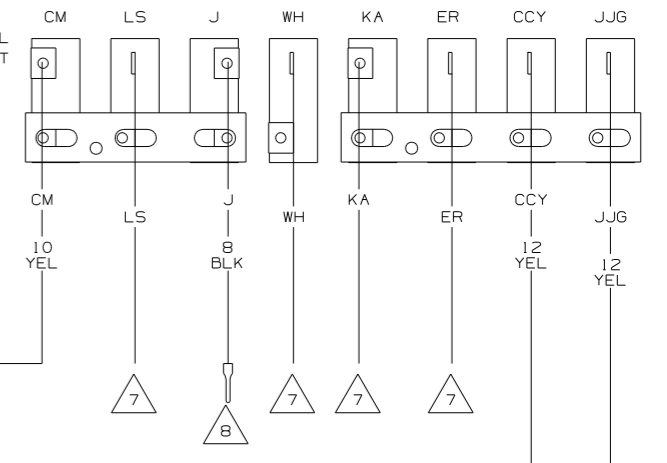
- A-GGN 12 YEL
- B-GGP 12 YEL

WIRE ASM- SIDEWALL (SHT 6, B-8) LOCATED UNDER DINETTE SEAT.



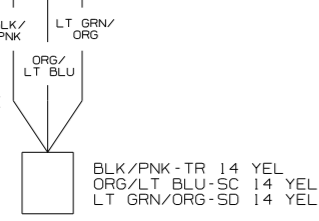
- 1-CM 10 YEL
- 2-CN 10 WHT

12V BREAKERS (LOCATED IN ELECTRICAL BOX)



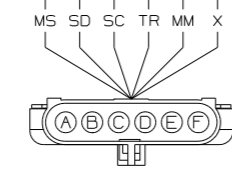
- 1-JC 14 YEL
- 2-NC 14 WHT

CONNECTS TO FORD WIRING



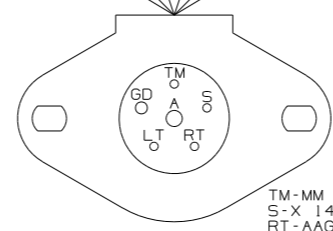
- BLK/PNK-TR 14 YEL
- ORG/LT BLU-SC 14 YEL
- LT GRN/ORG-SD 14 YEL

CONNECTS TO FORD WIRING



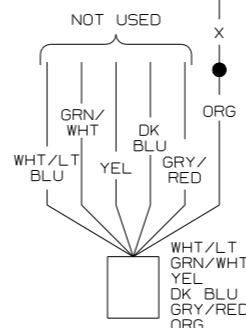
TO WIRE ASM-BACKWALL

- A-SC 16 YEL
- B-X 14 YEL
- C-TR 14 YEL
- D-SD 16 YEL
- E-MM 14 YEL
- F-MS 14 WHT

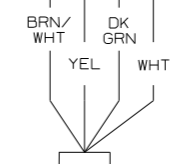


TRAILER HITCH PLUG ASM

- TM-MM 14 YEL
- S-X 14 YEL
- RT-AAG 14 YEL
- LT-AAF 14 YEL
- GD-MS 14 WHT
- A-AAE 14 YEL

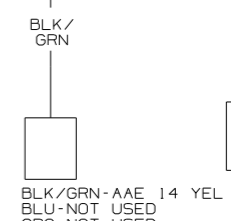


TO FORD WIRING (LOCATED NEAR FORD FUSE PANEL)



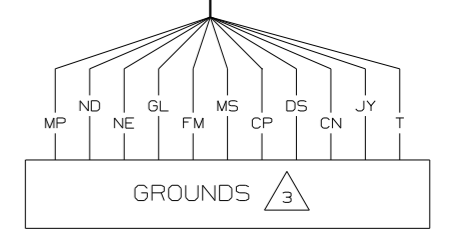
- YEL-AAF 14 YEL
- DK GRN-AAG 14 YEL
- BRN/WHT-MM 14 YEL
- WHT-NOT USED

CONNECTS TO FORD WIRING



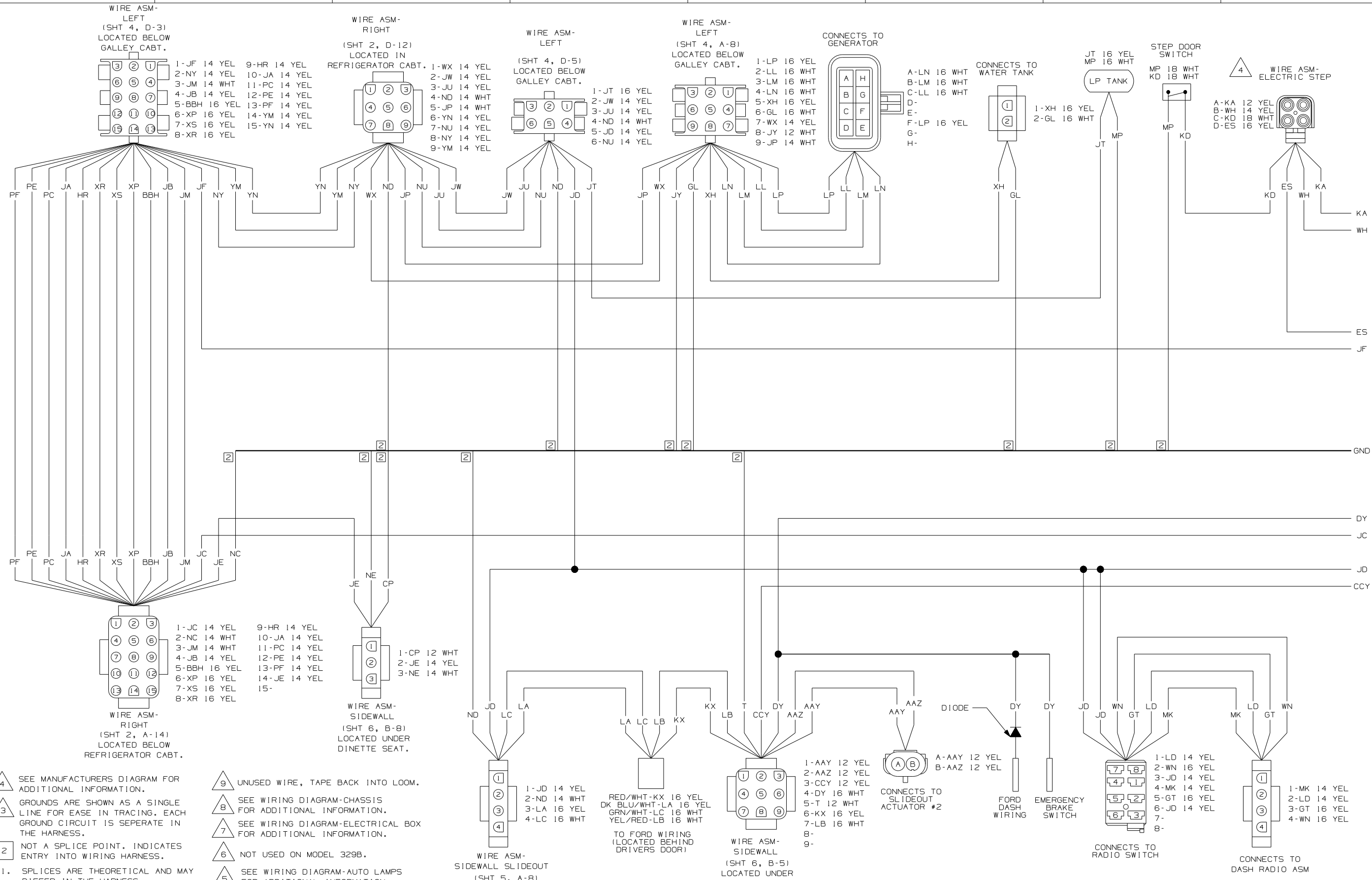
- BLK/GRN-AAE 14 YEL
- BLU-NOT USED
- ORG-NOT USED

CONNECTS TO FORD WIRING

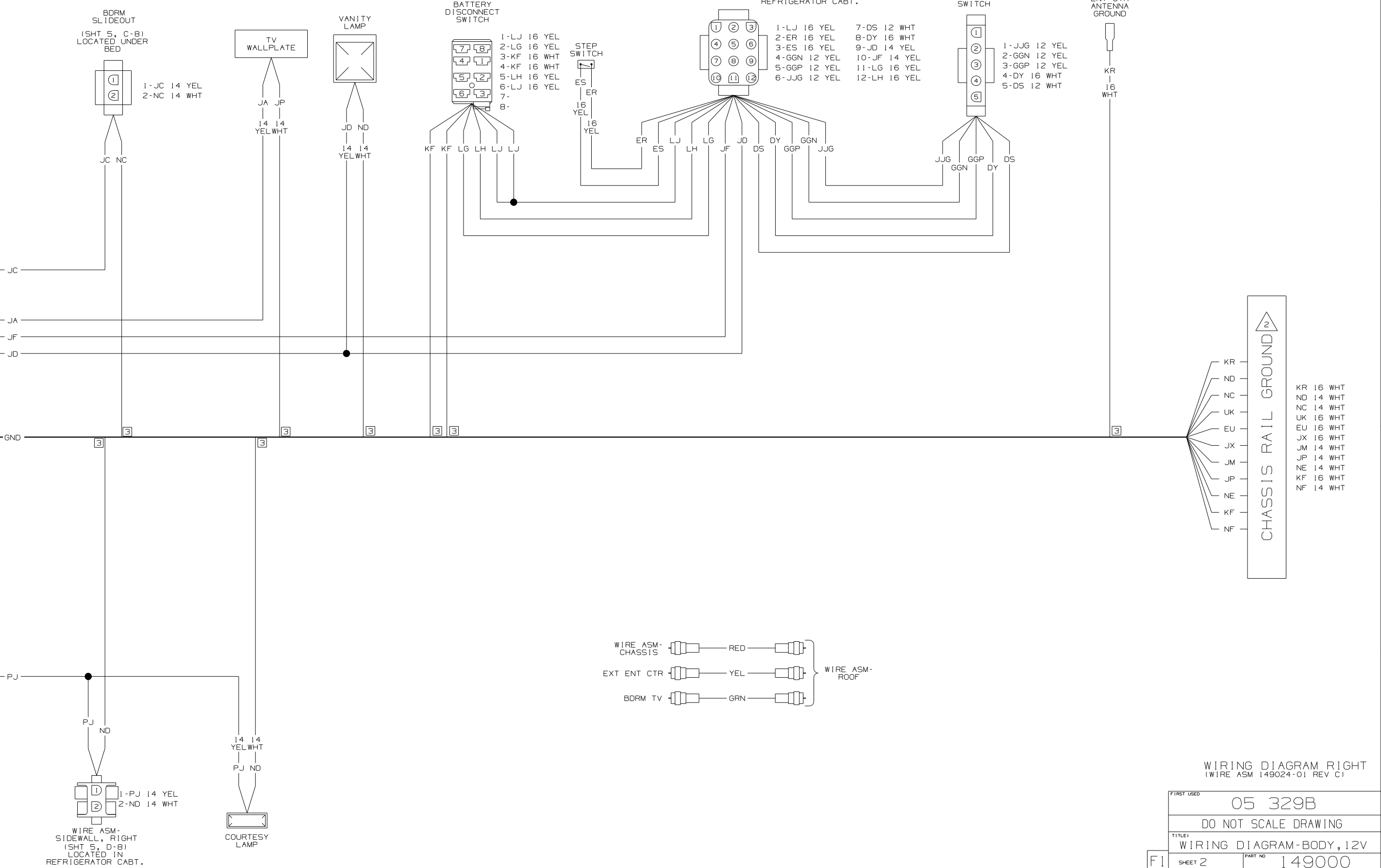


3 GROUND

- T 12 WHT
- MP 16 WHT
- ND 14 WHT
- NE 14 WHT
- GL 16 WHT
- FM 14 WHT
- MS 14 WHT
- CP 12 WHT
- DS 12 WHT
- CN 10 WHT
- JY 12 WHT

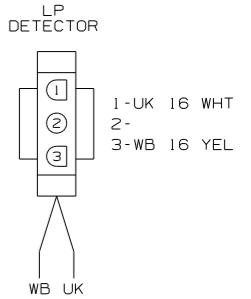
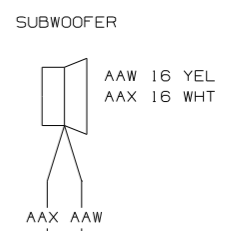
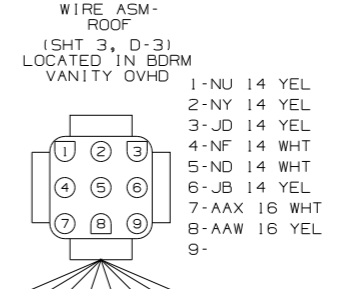
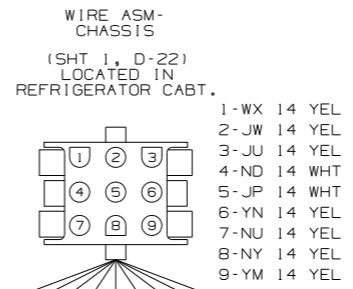
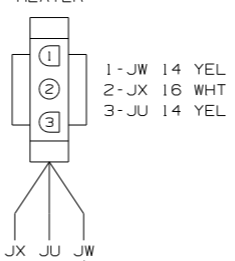
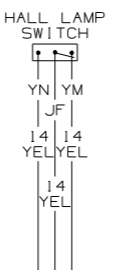
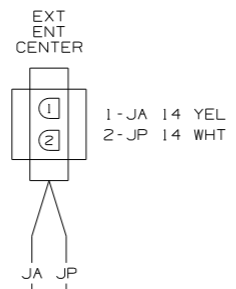
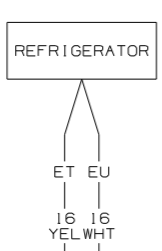
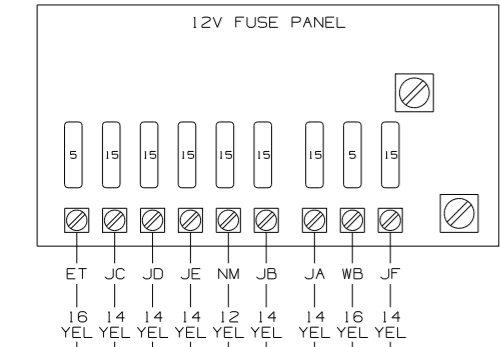
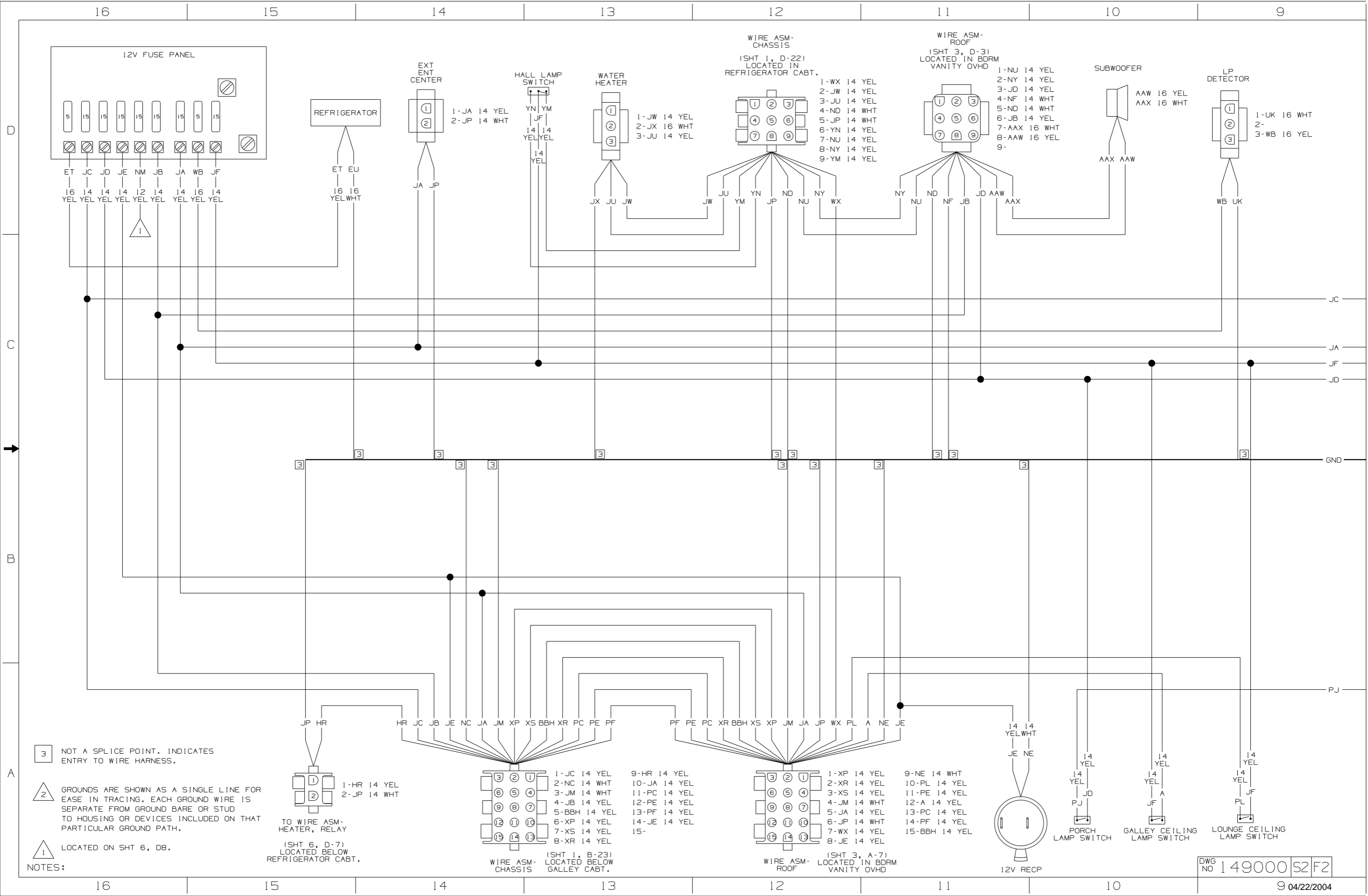


- NOTES:**
- 4 SEE MANUFACTURERS DIAGRAM FOR ADDITIONAL INFORMATION.
 - 3 GROUNDS ARE SHOWN AS A SINGLE LINE FOR EASE IN TRACING. EACH GROUND CIRCUIT IS SEPERATE IN THE HARNESS.
 - 2 NOT A SPLICE POINT. INDICATES ENTRY INTO WIRING HARNESS.
 - 1. SPLICES ARE THEORETICAL AND MAY DIFFER IN THE HARNESS.
 - 9 UNUSED WIRE, TAPE BACK INTO LOOM.
 - 8 SEE WIRING DIAGRAM-CHASSIS FOR ADDITIONAL INFORMATION.
 - 7 SEE WIRING DIAGRAM-ELECTRICAL BOX FOR ADDITIONAL INFORMATION.
 - 6 NOT USED ON MODEL 329B.
 - 5 SEE WIRING DIAGRAM-AUTO LAMPS FOR ADDITIONAL INFORMATION.



WIRING DIAGRAM RIGHT
(WIRE ASM 149024-01 REV C)

FIRST USED	05 329B	
TITLE	DO NOT SCALE DRAWING	
	WIRING DIAGRAM-BODY, 12V	
SHEET 2	PART NO	149000

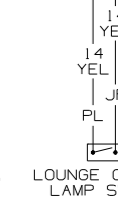
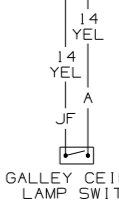
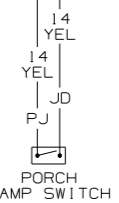
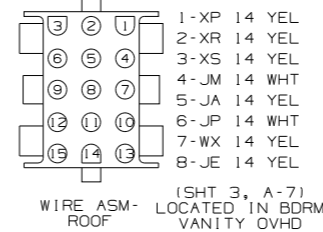
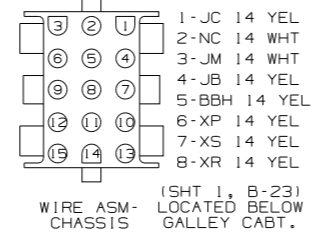
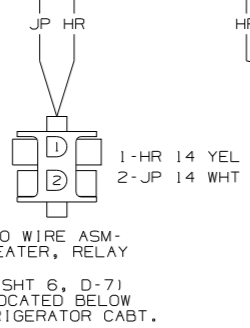


3 NOT A SPLICE POINT. INDICATES ENTRY TO WIRE HARNESS.

2 GROUNDS ARE SHOWN AS A SINGLE LINE FOR EASE IN TRACING. EACH GROUND WIRE IS SEPARATE FROM GROUND BARE OR STUD TO HOUSING OR DEVICES INCLUDED ON THAT PARTICULAR GROUND PATH.

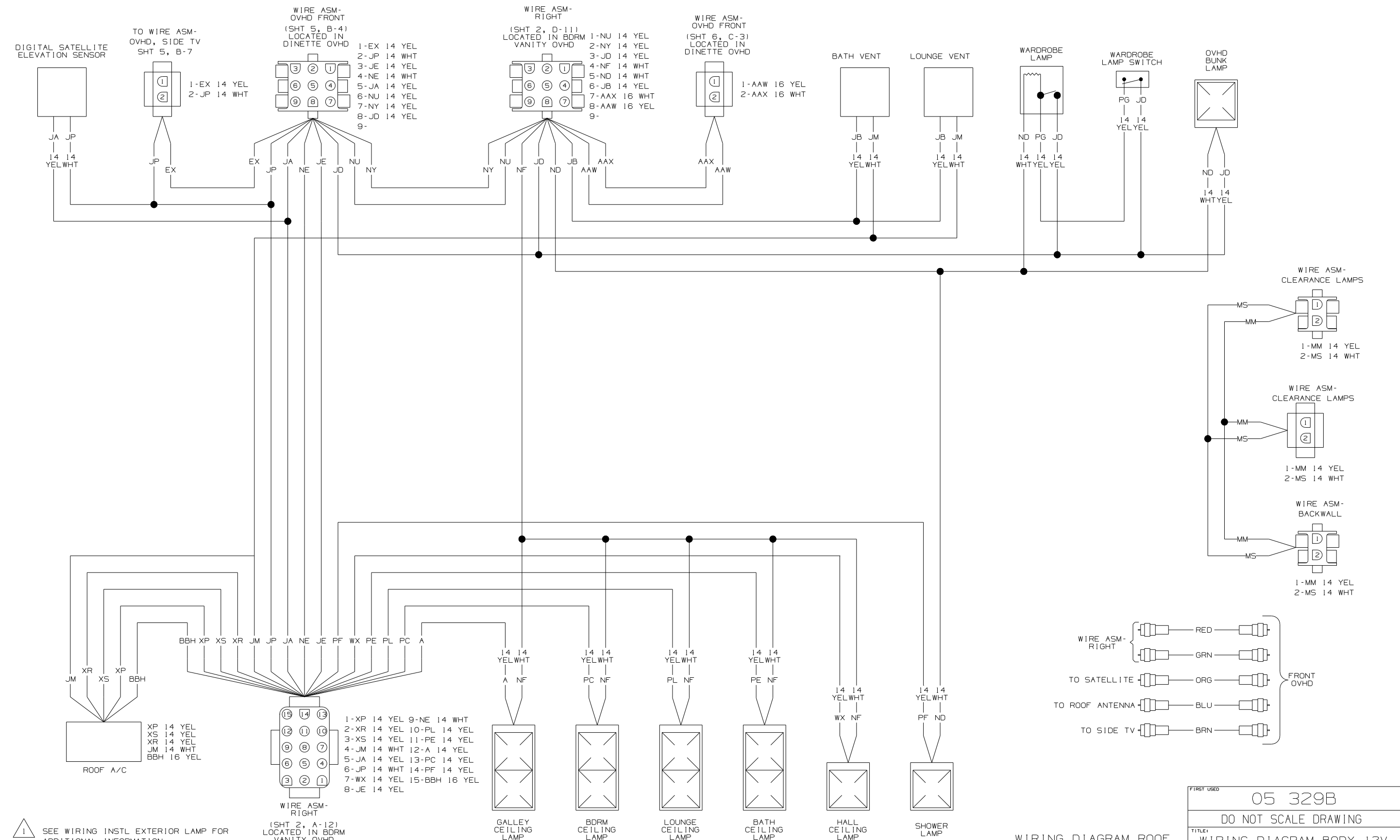
1 LOCATED ON SHT 6, D8.

NOTES:



DWG NO 149000 S2 F2

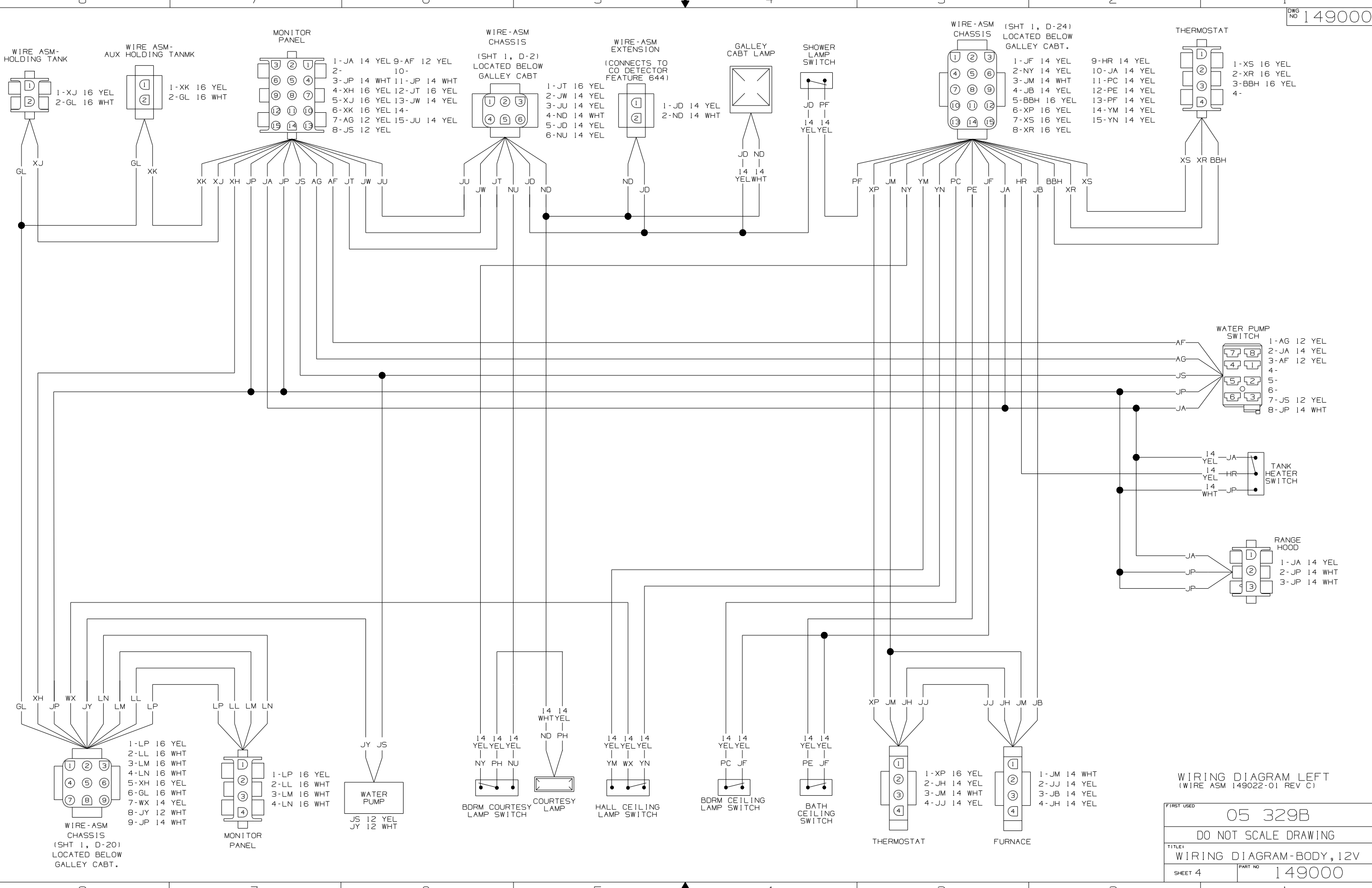
9 04/22/2004



NOTES:
 1 SEE WIRING INSTL EXTERIOR LAMP FOR ADDITIONAL INFORMATION.

WIRING DIAGRAM ROOF
 (WIRE ASM 149039-01 REV C)

FIRST USED	05 329B
DO NOT SCALE DRAWING	
TITLE:	WIRING DIAGRAM-BODY, 12V
SHEET 3	PART NO 149000



WIRING DIAGRAM LEFT
(WIRE ASM 149022-01 REV C)

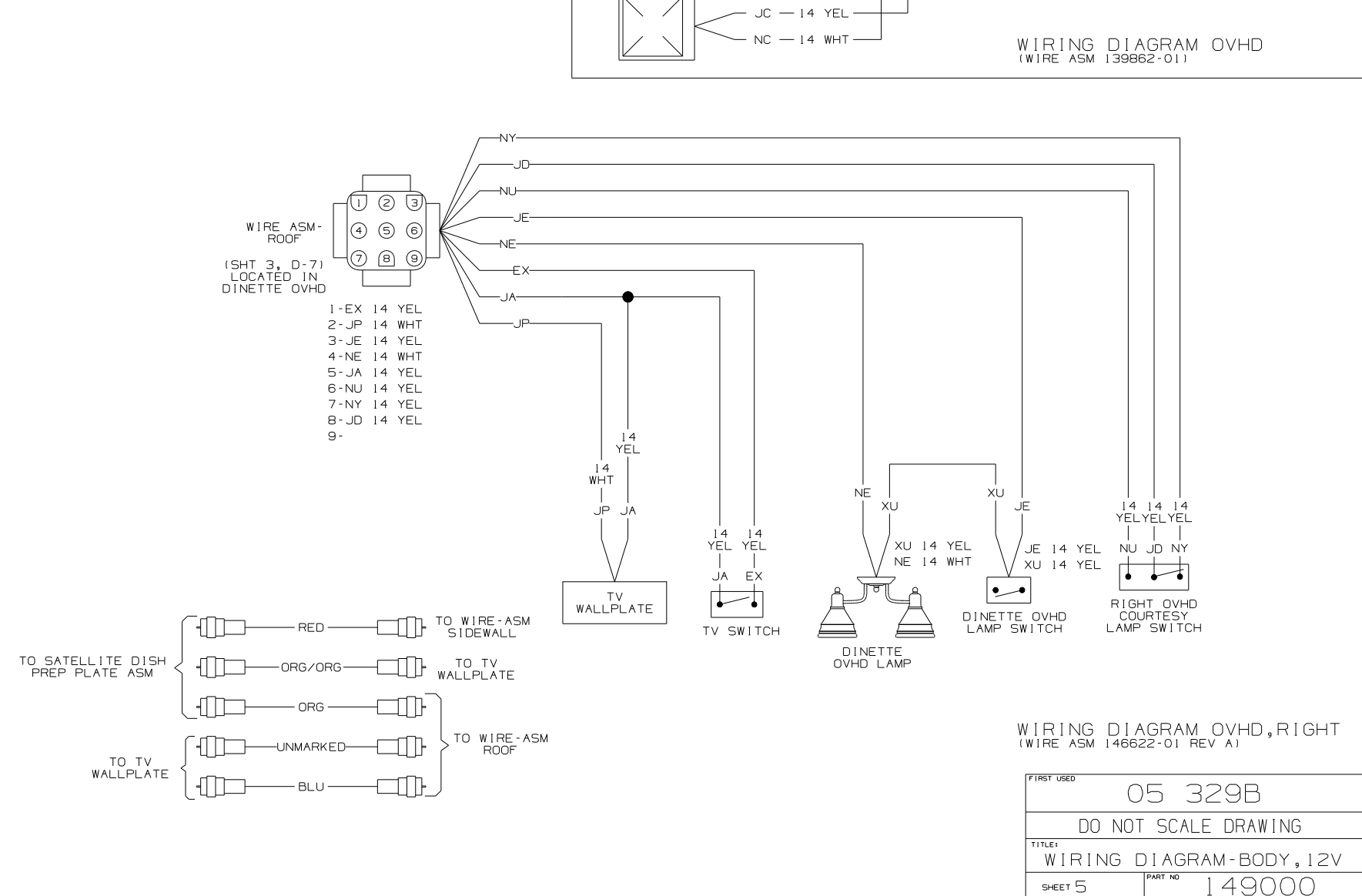
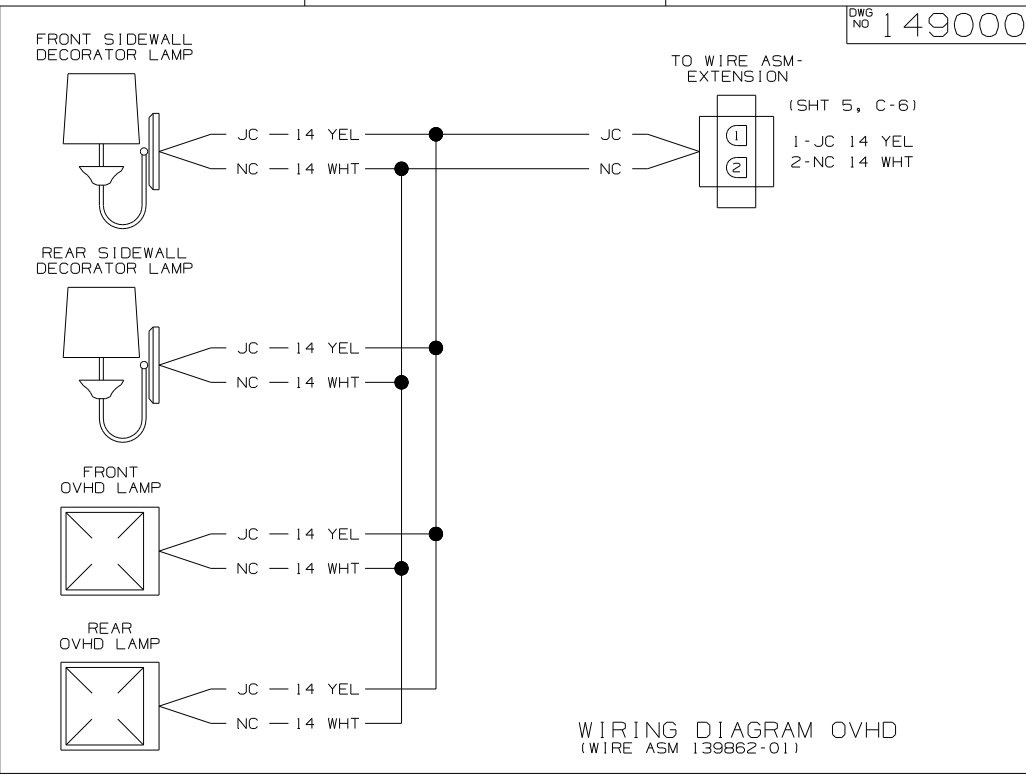
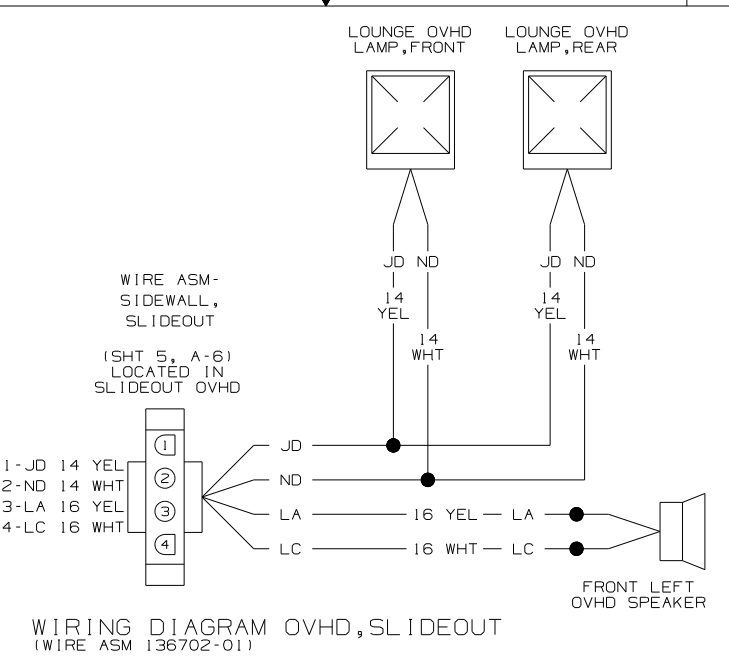
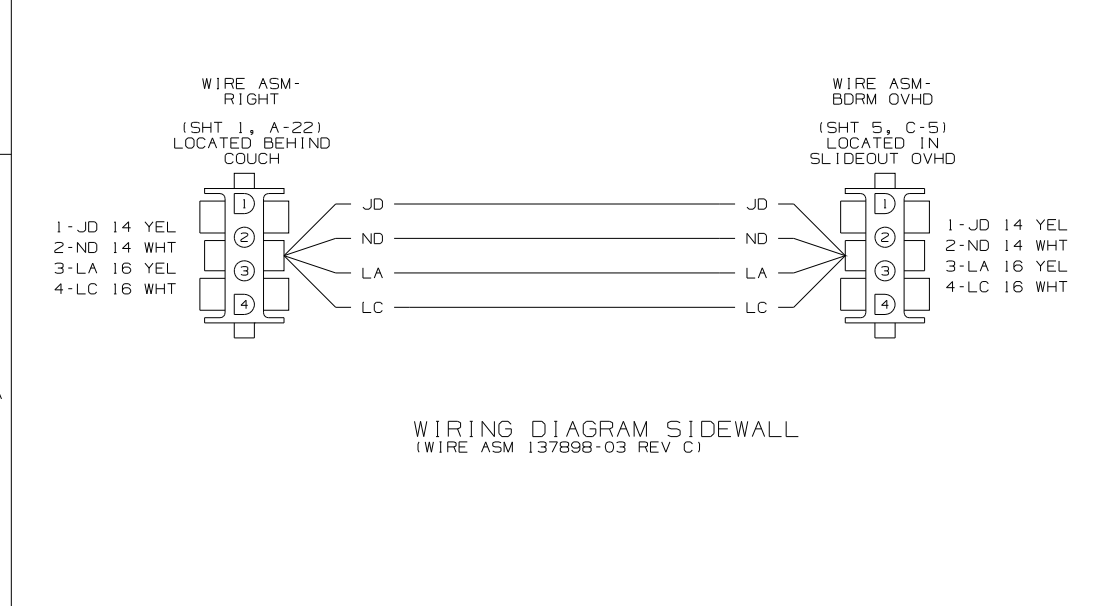
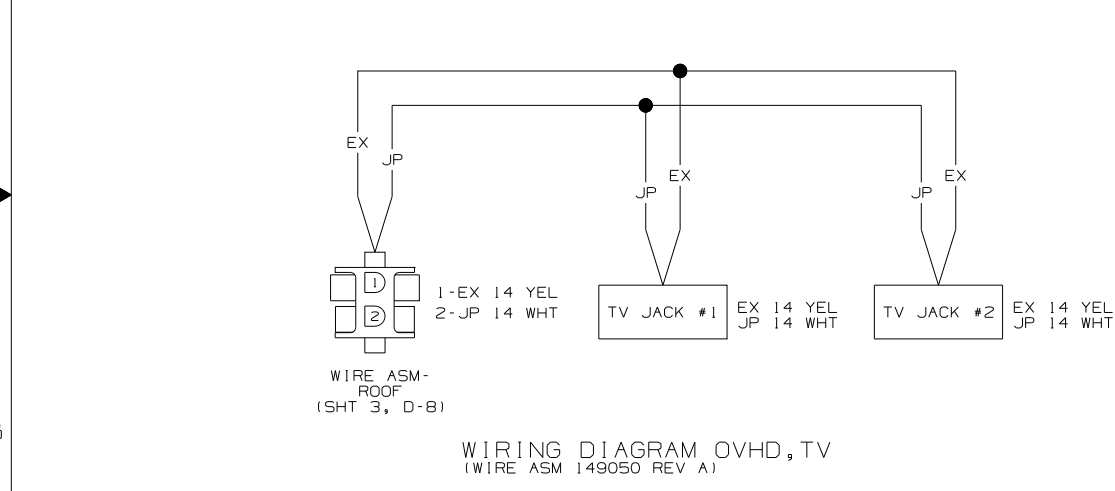
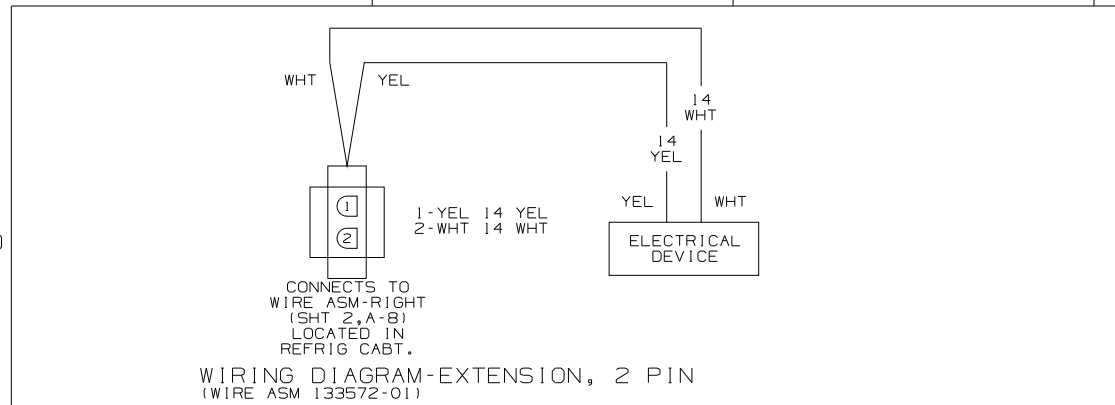
FIRST USED 05 329B

DO NOT SCALE DRAWING

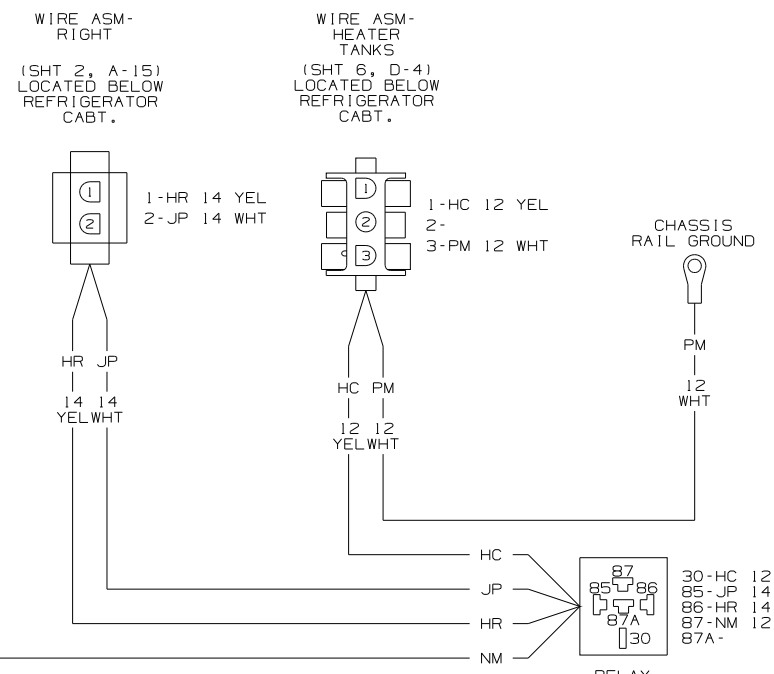
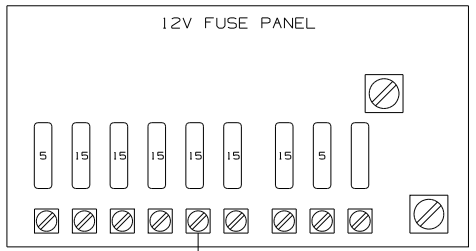
TITLE: WIRING DIAGRAM-BODY, 12V

SHEET 4 PART NO 149000

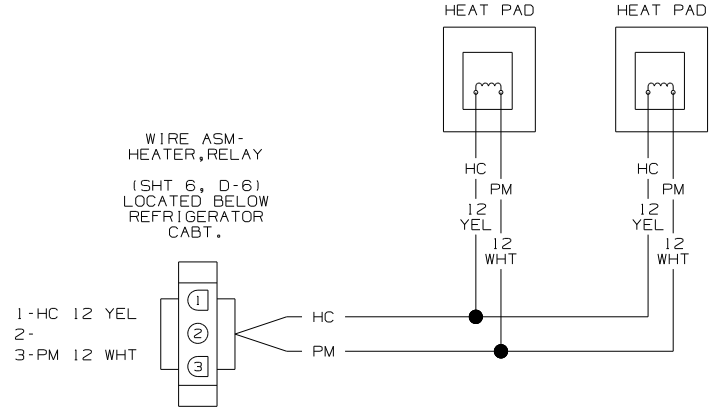
1 04/22/2004



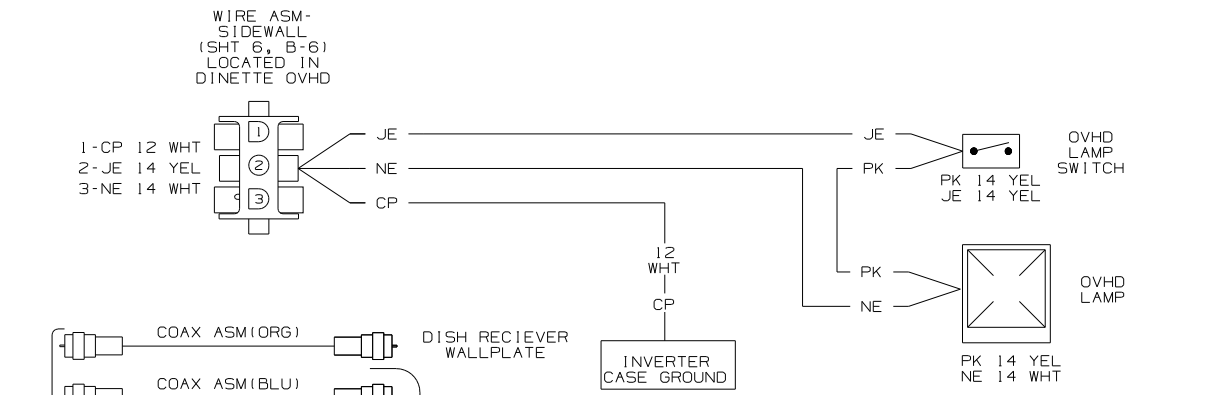
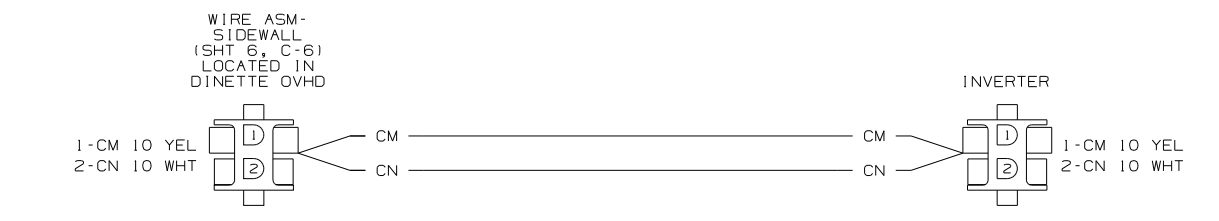
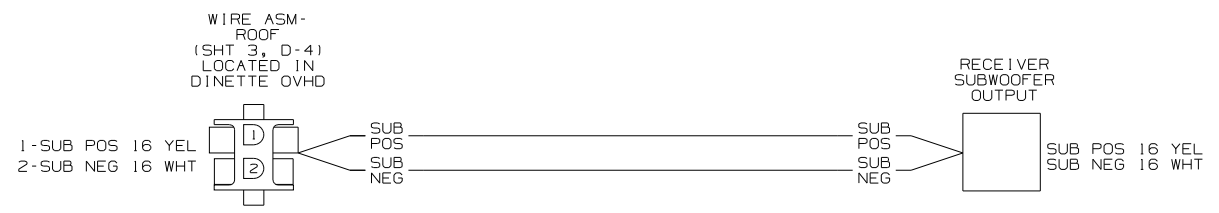
FIRST USED	05 329B
TITLE	DO NOT SCALE DRAWING
	WIRING DIAGRAM-BODY, 12V
SHEET 5	PART NO 149000



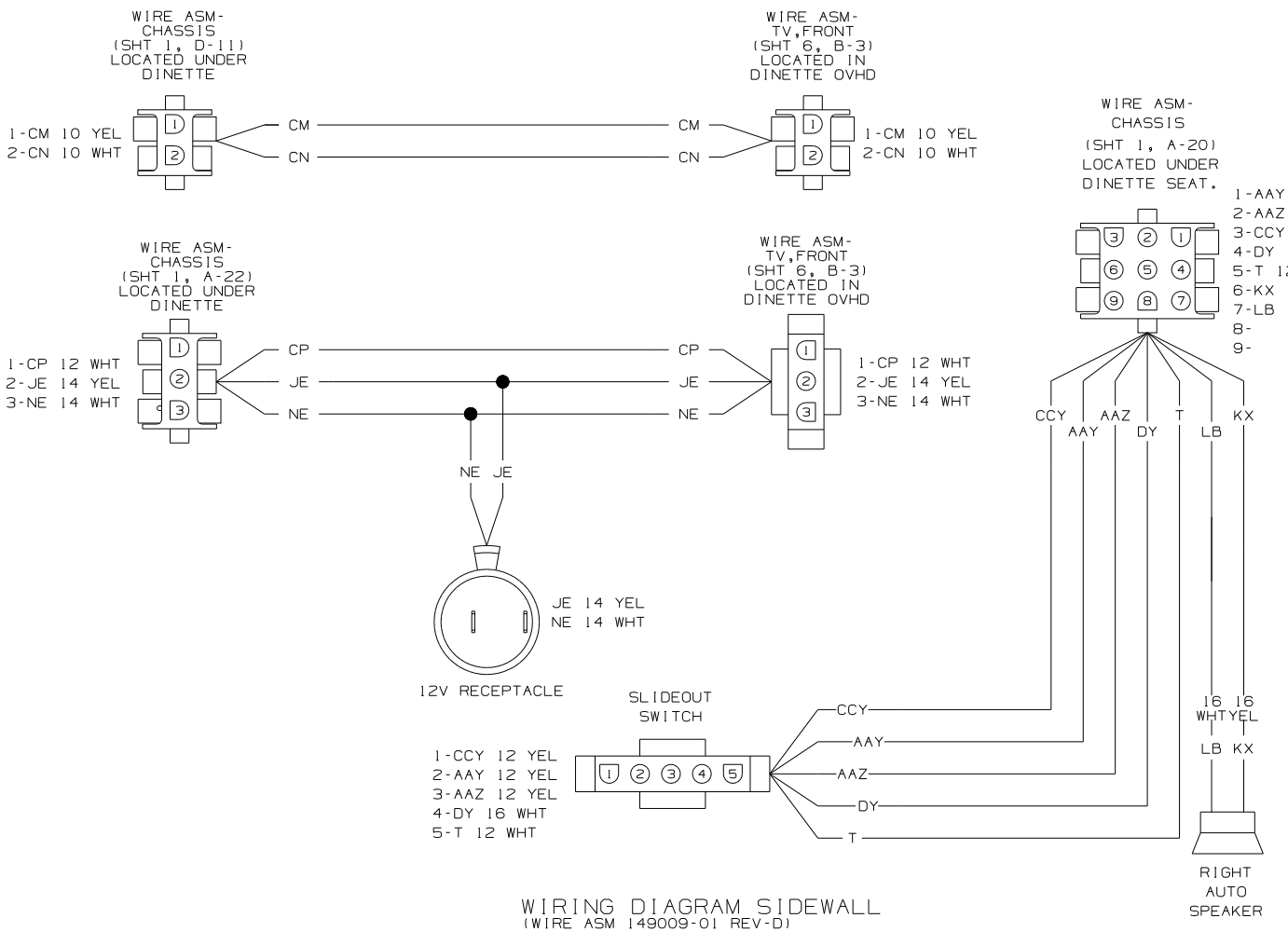
WIRING DIAGRAM HEATER, RELAY (WIRE ASM 134550-01)



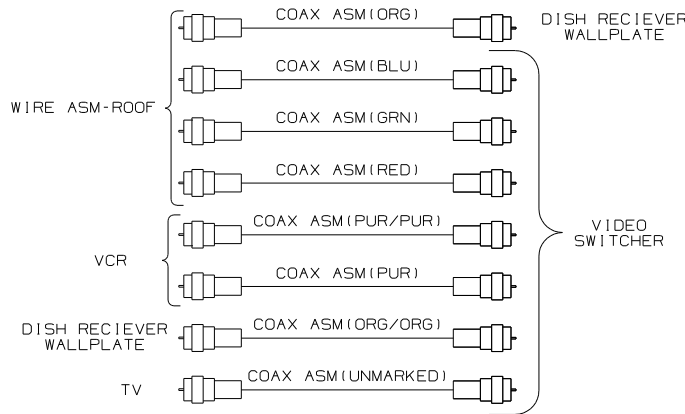
WIRING DIAGRAM HEATER, TANKS (WIRE ASM 134551-10)



WIRING DIAGRAM TV, FRONT (WIRE ASM 148752-02 REV D)



WIRING DIAGRAM SIDEWALL (WIRE ASM 149009-01 REV-D)



FIRST USED	05 329B
DO NOT SCALE DRAWING	
TITLE	WIRING DIAGRAM-BODY, 12V
SHEET 6	PART NO 149000