



DANGER

Danger of electrical shock, burns or death. Always remove all power sources before attempting any repair, service or diagnostic work. Power can be present from shore power, generator, inverter or battery. All power sources must be disabled and secured before performing any service.

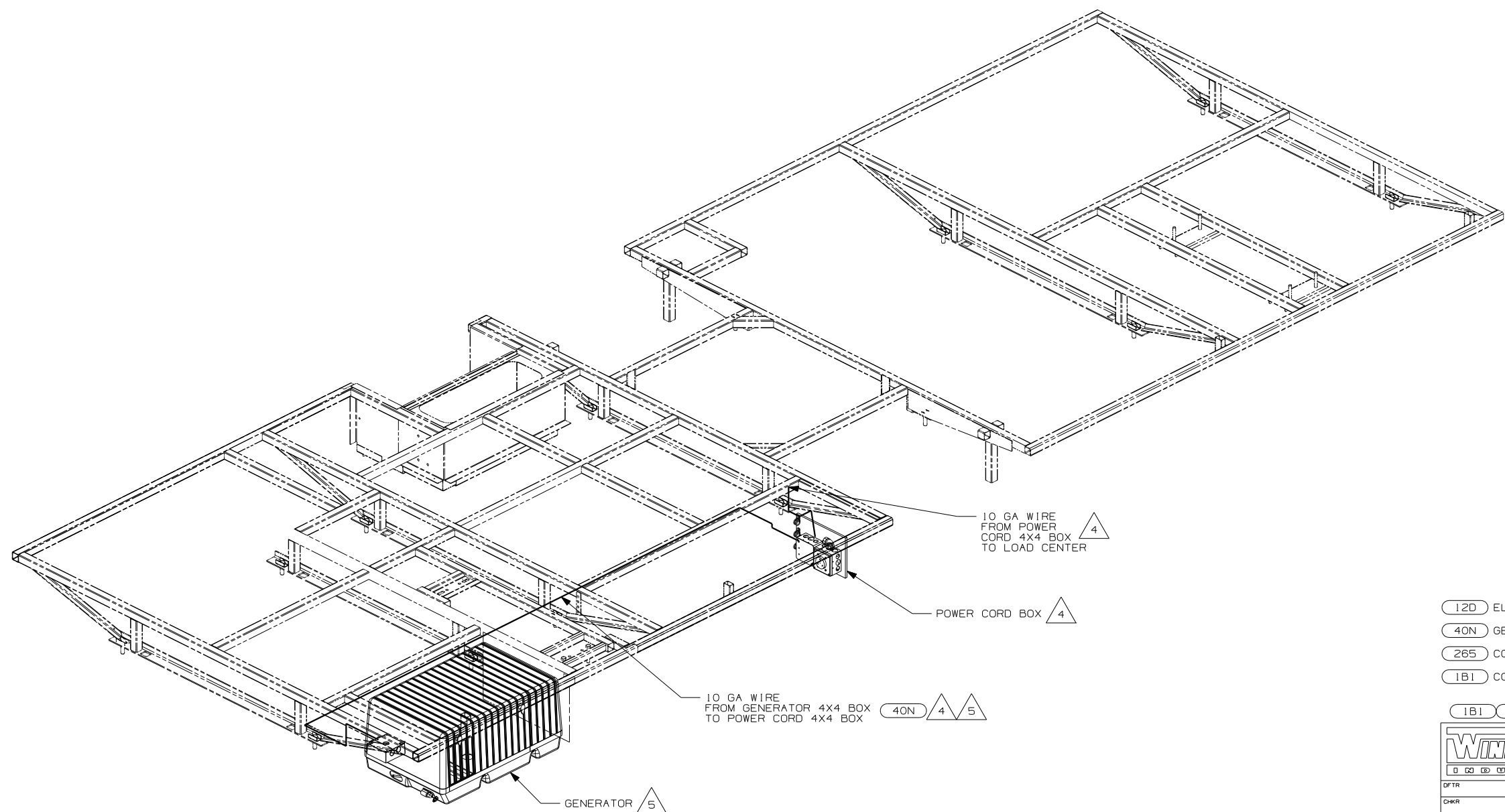


CAUTION

If you lack the skills, tools or equipment to perform diagnostic or repair work leave such work to an authorized Winnebago Industries dealer or other qualified shop.

DRAWING NO.	FEATURE
148940-01	
148940-11	(1B1) (12D)
148940-15	(265) (12D)

RELEASE	REV DATE	DWG NO	148940
REV ZONE	REVISION RECORD	DATE	DFTR-ORIG



- 5 SEE GENERATOR INSTL FOR MORE INFORMATION.
- 4 SEE LOAD CENTER INSTL FOR MORE INFORMATION.
3. ALL GROUND WIRES TO BE COVERED WITH TUBING 8041-02-000.
2. ALL 110V WIRE ARE TO BE CLAMPED WITH CLAMP 10497-05-000 WITHIN 200 OF OUTLET BOXES, USE SCREW 667-10-12B.
1. ALL WIRES TO BE SECURED WITH CLAMP 10495-01-000 OR CLIP 80734-01-000 EVERY 600MM. USE SCREW 667-10-12B UNLESS OTHERWISE SPECIFIED.

NOTES:

10 GA WIRE FROM POWER CORD 4X4 BOX TO LOAD CENTER 4

POWER CORD BOX 4

10 GA WIRE FROM GENERATOR 4X4 BOX TO POWER CORD 4X4 BOX 40N 4 5

GENERATOR 5

- (12D) ELECTRICAL SYSTEM 30 AMP
- (40N) GEN-4.0KW-ONAN-GAS-MICROLITE
- (265) CODES/STANDARDS-CSA-CMVSS
- (1B1) CODES/STANDARDS USA

(1B1) (265) (12D)



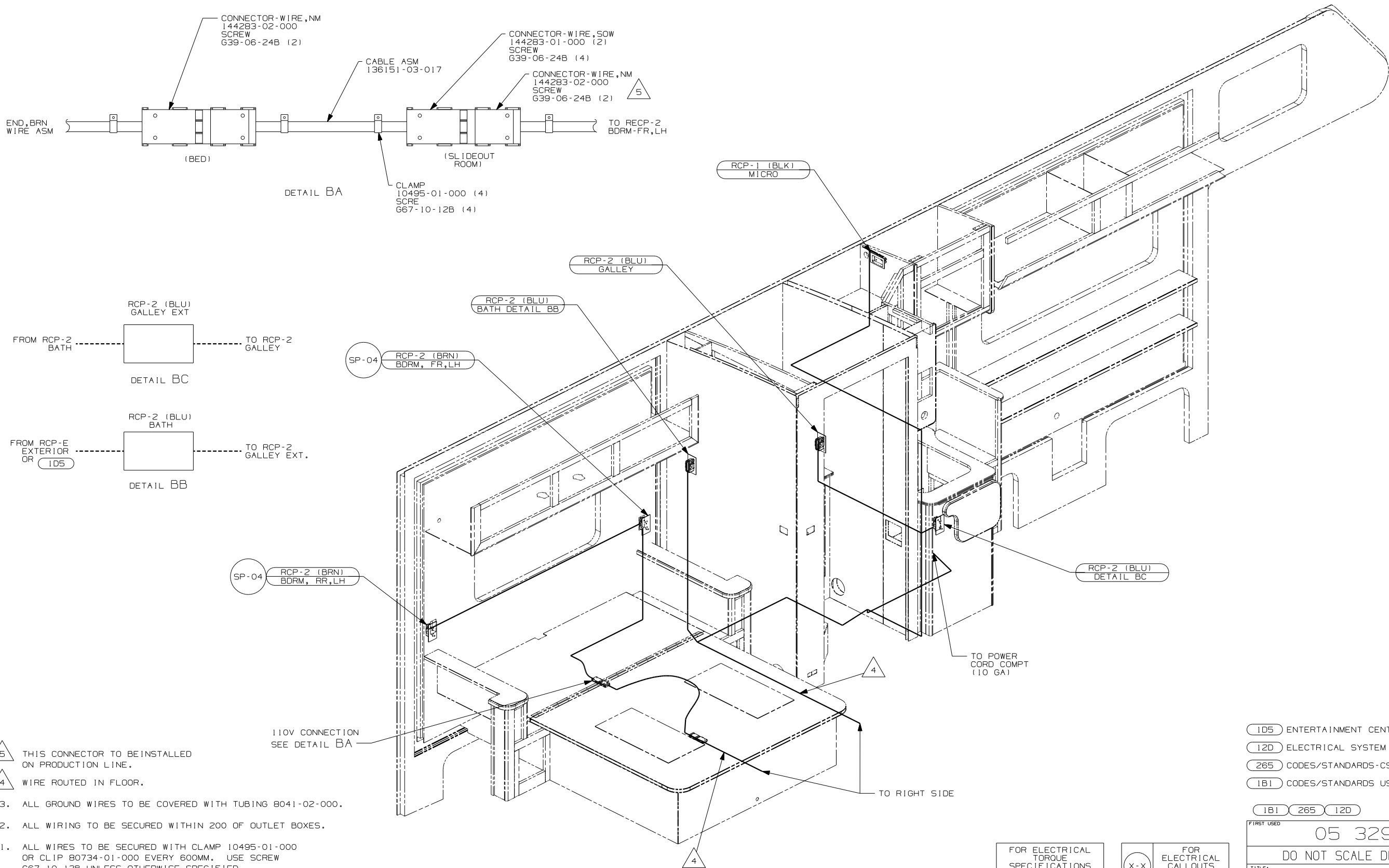
DFTR	ORIG. DATE
CHKR	ALL DIMENSIONS ARE IN MILLIMETERS
P.E.	
M.E.	FIRST USED
DSNR	05 329B

UNSPECIFIED TOLERANCES ARE:	MATERIAL:
WHOLE DIM (X) :	
ONE-PLACE (X.X) :	
TWO-PLACE (X.XX) :	
ANGLE :	
THIRD ANGLE PROJECTION	

FOR ELECTRICAL TORQUE SPECIFICATIONS SEE DWG NO. 128783-01-000

FOR ELECTRICAL CALLOUTS SEE DWG NO. 121339-01-000

DO NOT SCALE DRAWING	
TITLE:	WIRING INSTL-BODY, 110V
SHEET 1 OF 3	PART NO 148940



5 THIS CONNECTOR TO BE INSTALLED ON PRODUCTION LINE.
 4 WIRE ROUTED IN FLOOR.

3. ALL GROUND WIRES TO BE COVERED WITH TUBING 8041-02-000.
 2. ALL WIRING TO BE SECURED WITHIN 200 OF OUTLET BOXES.
 1. ALL WIRES TO BE SECURED WITH CLAMP 10495-01-000 OR CLIP 80734-01-000 EVERY 600MM. USE SCREW 667-10-12B UNLESS OTHERWISE SPECIFIED.

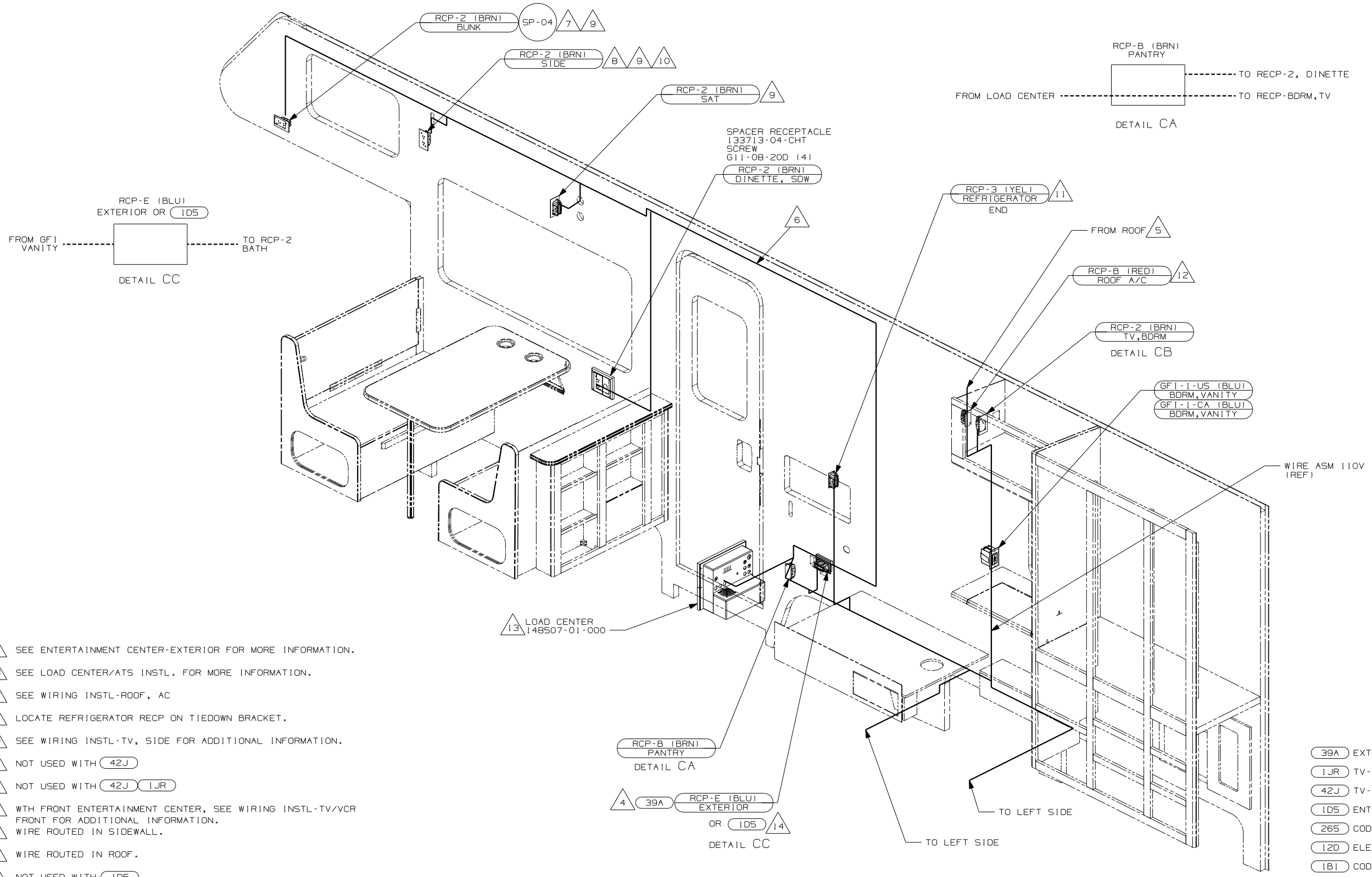
NOTES:

FOR ELECTRICAL TORQUE SPECIFICATIONS SEE DWG NO. 128783-01-000

FOR ELECTRICAL CALLOUTS SEE DWG NO. 121339-01-000

- 1D5 ENTERTAINMENT CENTR/EXT W/CD
- 12D ELECTRICAL SYSTEM 30 AMP
- 265 CODES/STANDARDS-CSA/CMVSS
- 1B1 CODES/STANDARDS USA

FIRST USED	05 329B
DO NOT SCALE DRAWING	
TITLE:	WIRING INSTL-BODY, 110V
SHEET 2	PART NO 148940



- 14 SEE ENTERTAINMENT CENTER-EXTERIOR FOR MORE INFORMATION.
- 13 SEE LOAD CENTER/ATS INSTL. FOR MORE INFORMATION.
- 12 SEE WIRING INSTL-ROOF, AC
- 11 LOCATE REFRIGERATOR RECP ON TIEDOWN BRACKET.
- 10 SEE WIRING INSTL-TV, SIDE FOR ADDITIONAL INFORMATION.
- 9 NOT USED WITH 42J
- 8 NOT USED WITH 42J 1JR
- 7 WITH FRONT ENTERTAINMENT CENTER, SEE WIRING INSTL-TV/VCR FRONT FOR ADDITIONAL INFORMATION.
- 6 WIRE ROUTED IN SIDEWALL.
- 5 WIRE ROUTED IN ROOF.
- 4 NOT USED WITH 1D5

- NOTES:
3. ALL GROUND WIRES TO BE COVERED WITH TUBING 8041-02-000.
 2. ALL WIRING TO BE SECURED WITHIN 200 OF OUTLET BOXES.
 1. ALL WIRES TO BE CLAMPED WITH CLAMP 10495-01-000 OR CLIP 80734-01-000 EVERY 1200. USE SCREW G67-10-12B UNLESS OTHERWISE SPECIFIED.

13 LOAD CENTER
148507-01-000

RCP-B (BRN)
PANTRY
DETAIL CA

4 39A RCP-E (BLU)
EXTERIOR
OR 1D5 14
DETAIL CC

RCP-2 (BRN)
TV
FROM RCP-B
PANTRY
DETAIL CB

TO 110V
CONNECTION, BDRM
DETAIL BA

FOR ELECTRICAL
TORQUE
SPECIFICATIONS
SEE DWG NO.
128783-01-000

X-X
FOR ELECTRICAL
CALLOUTS
SEE DWG NO.
121339-01-000

- 39A EXT RECEPTACLE DPLX 120VAC
- 1JR TV-13" W/DVD-12V
- 42J TV-24" COLOR, STEREO W/REMOTE
- 1D5 ENTERTAINMENT CENTR/EXT W/CD
- 265 CODES/STANDARDS-CSA/CMVSS
- 12D ELECTRICAL SYSTEM 30 AMP
- 1B1 CODES/STANDARDS USA

FIRST USED	
05 329B	
DO NOT SCALE DRAWING	
TITLE:	
WIRING INSTL-BODY, 110V	
SHEET 3	PART NO
	148940