



**DANGER**

**Danger of electrical shock, burns or death.** Always remove all power sources before attempting any repair, service or diagnostic work. Power can be present from shore power, generator, inverter or battery. All power sources must be disabled and secured before performing any service.

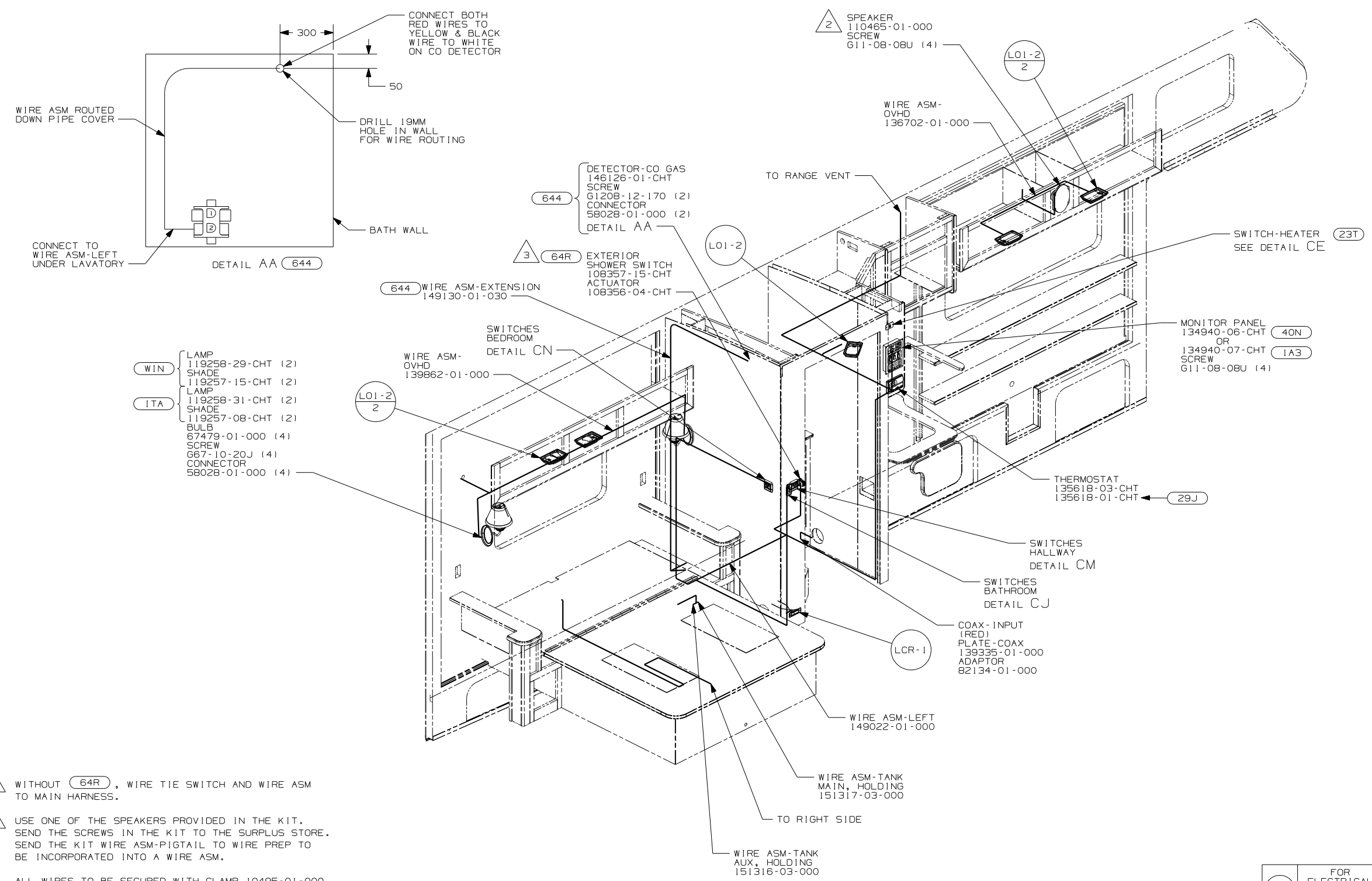


**CAUTION**

If you lack the skills, tools or equipment to perform diagnostic or repair work leave such work to an authorized Winnebago Industries dealer or other qualified shop.

DRAWING NO.	FEATURE
148939-01	(WIN)
148939-02	(ITA)

RELEASE	REV DATE	DWG NO
A		148939
REV ZONE	REVISION RECORD	DATE



- (WIN) LAMP 119258-29-CHT (2)
- (WIN) SHADE 119257-15-CHT (2)
- (ITA) LAMP 119258-31-CHT (2)
- (ITA) SHADE 119257-08-CHT (2)
- BULB 67479-01-000 (4)
- SCREW 667-10-20J (4)
- CONNECTOR 58028-01-000 (4)

- (23T) DRAINAGE SYSTEM HEATED
- (64R) EXTERIOR WASH STATION
- (ITA) ITASCA ONLY
- (WIN) WINNEBAGO ONLY
- (644) GREAT ALASKAN RENTAL PACKAGE
- (29J) AC HEAT PUMP-1
- (1A3) GENERATOR WITHOUT
- (40N) GEN-4,0KW-ONAN-GAS-MICROLITE

3 WITHOUT (64R), WIRE TIE SWITCH AND WIRE ASM TO MAIN HARNESS.

2 USE ONE OF THE SPEAKERS PROVIDED IN THE KIT. SEND THE SCREWS IN THE KIT TO THE SURPLUS STORE. SEND THE KIT WIRE ASM-PIGTAIL TO WIRE PREP TO BE INCORPORATED INTO A WIRE ASM.

1. ALL WIRES TO BE SECURED WITH CLAMP 10495-01-000 OR CLIP 80734-01-000 EVERY 600MM. USE SCREW 667-10-12B UNLESS OTHERWISE SPECIFIED.

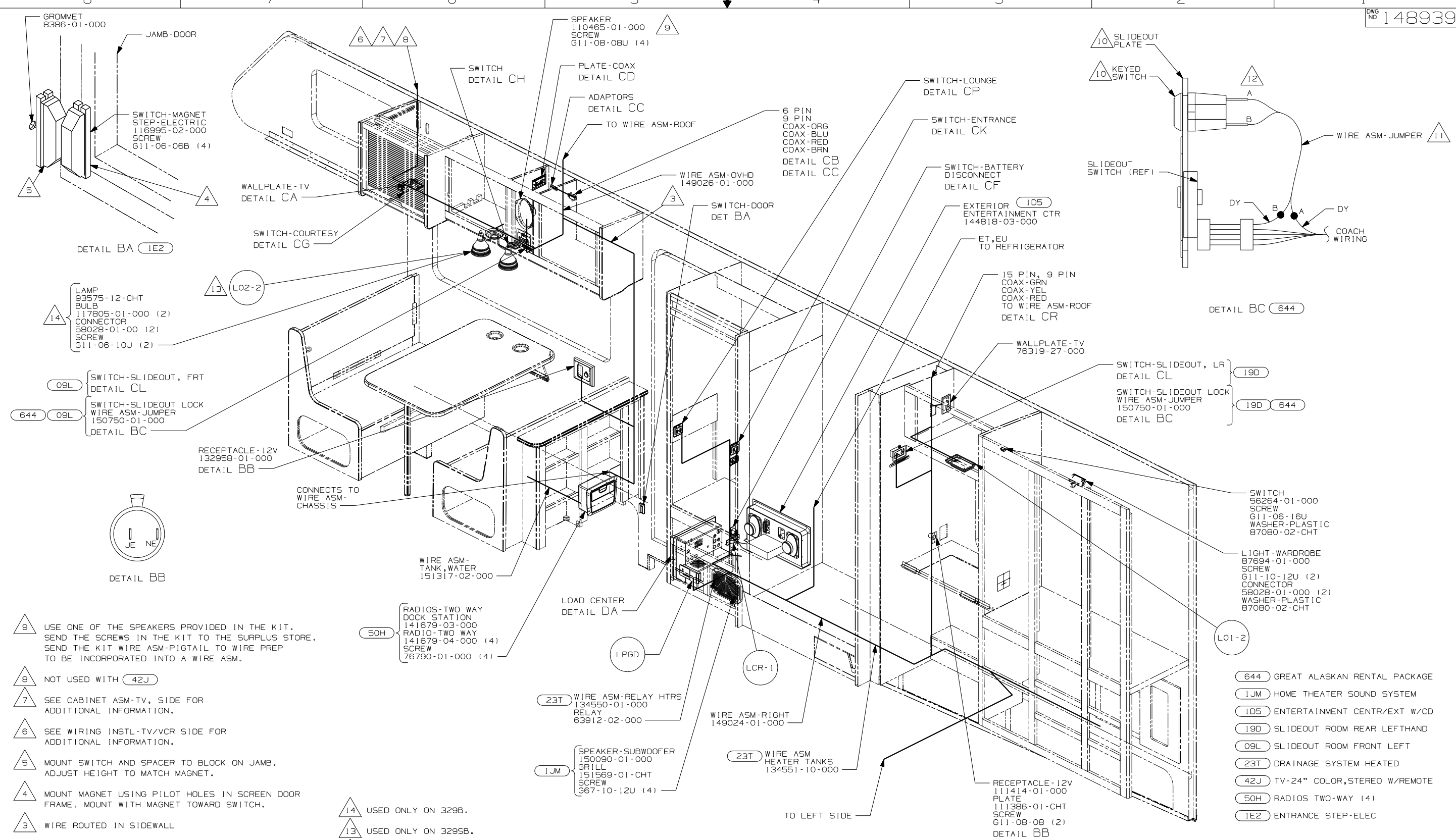
NOTES:

(X-X) FOR ELECTRICAL CALLOUTS SEE DWG NO. 121339-01-000

**WINNEBAGO** COPYRIGHT 2004 WINNEBAGO INDUSTRIES, INC.

DFT	ORIG. DATE
CHKR	ALL DIMENSIONS ARE IN MILLIMETERS
P.E.	
M.E.	FIRST USED
DSNR	05 329B
UNSPECIFIED TOLERANCES ARE:	MATERIAL:
HOLE DIM (X)	
ONE-PLACE (X.X)	
TWO-PLACE (X.XX)	
ANGLE	
THIRD ANGLE PROJECTION	
DO NOT SCALE DRAWING	
TITLE:	WIRING INSTL-BODY, 12V
SHEET 1 of 5	PART NO 148939

REF: 146359 | 12/1/2004



- 9 USE ONE OF THE SPEAKERS PROVIDED IN THE KIT. SEND THE SCREWS IN THE KIT TO THE SURPLUS STORE. SEND THE KIT WIRE ASM-PIGTAIL TO WIRE PREP TO BE INCORPORATED INTO A WIRE ASM.
- 8 NOT USED WITH 42J
- 7 SEE CABINET ASM-TV, SIDE FOR ADDITIONAL INFORMATION.
- 6 SEE WIRING INSTL-TV/VCR SIDE FOR ADDITIONAL INFORMATION.
- 5 MOUNT SWITCH AND SPACER TO BLOCK ON JAMB. ADJUST HEIGHT TO MATCH MAGNET.
- 4 MOUNT MAGNET USING PILOT HOLES IN SCREEN DOOR FRAME. MOUNT WITH MAGNET TOWARD SWITCH.
- 3 WIRE ROUTED IN SIDEWALL

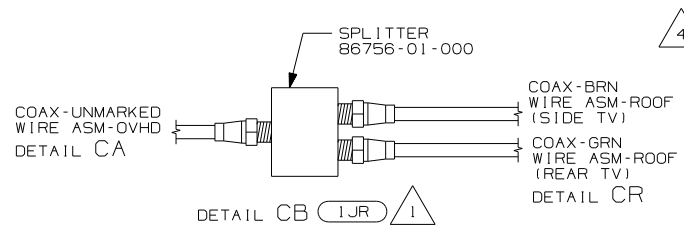
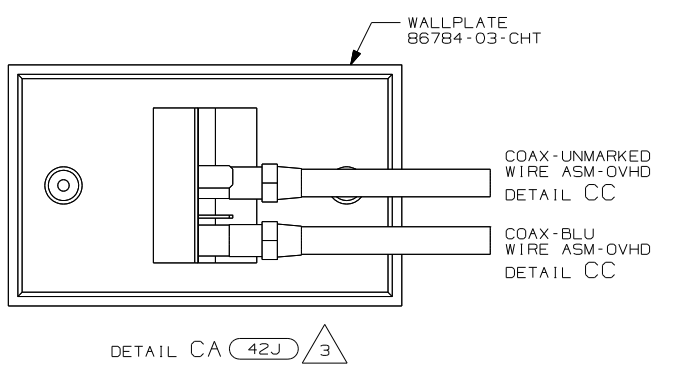
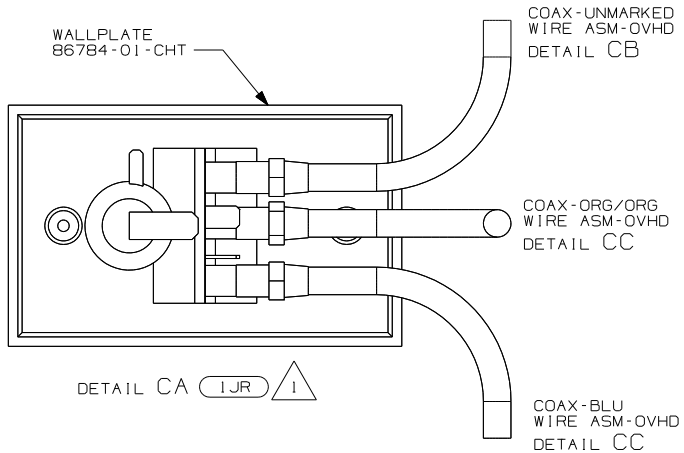
- 14 USED ONLY ON 329B.
- 13 USED ONLY ON 329SB.
- 12 REMOVE TERMINALS (SUPPLIED WITH KEY SWITCH), CRIMP ON TO WIRE ASM-JUMPER, AND RECONNECT TO KEY SWITCH.
- 11 CUT CIRCUIT BY GOING TO SLIDEOUT SWITCH HOUSING AND RECONNECT AS SHOWN.
- 10 SUPPLIED BY GREAT ALASKAN RENTAL COMPANY.

- 644 GREAT ALASKAN RENTAL PACKAGE
- 1JM HOME THEATER SOUND SYSTEM
- 1D5 ENTERTAINMENT CENTR/EXT W/CD
- 19D SLIDEOUT ROOM REAR LEFTHAND
- 09L SLIDEOUT ROOM FRONT LEFT
- 23T DRAINAGE SYSTEM HEATED
- 42J TV-24" COLOR, STEREO W/REMOTE
- 50H RADIOS TWO-WAY (4)
- 1E2 ENTRANCE STEP-ELEC

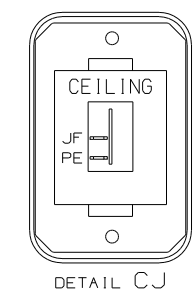
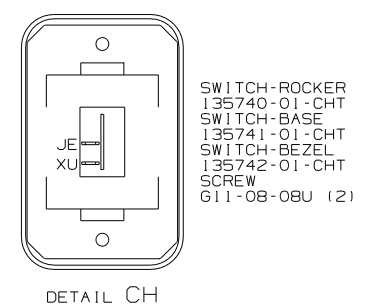
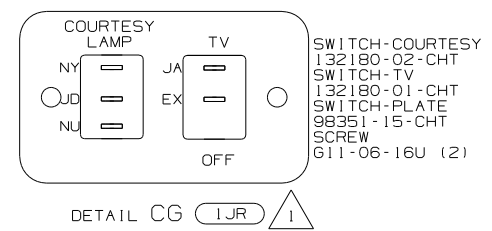
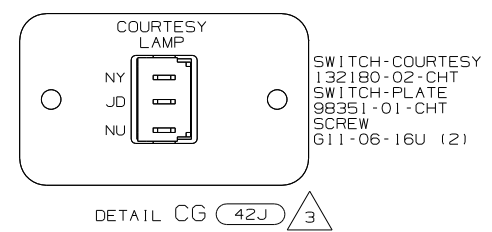
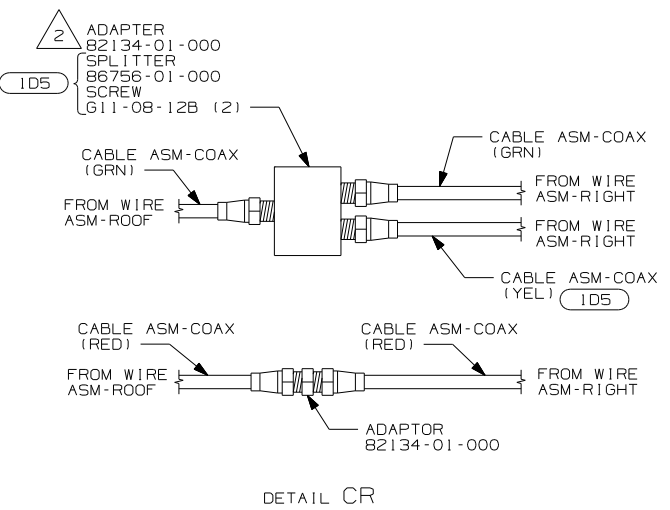
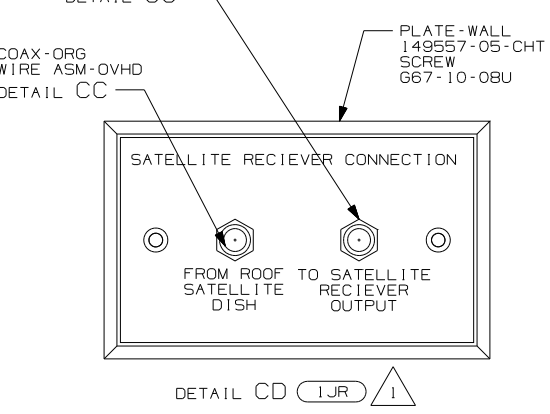
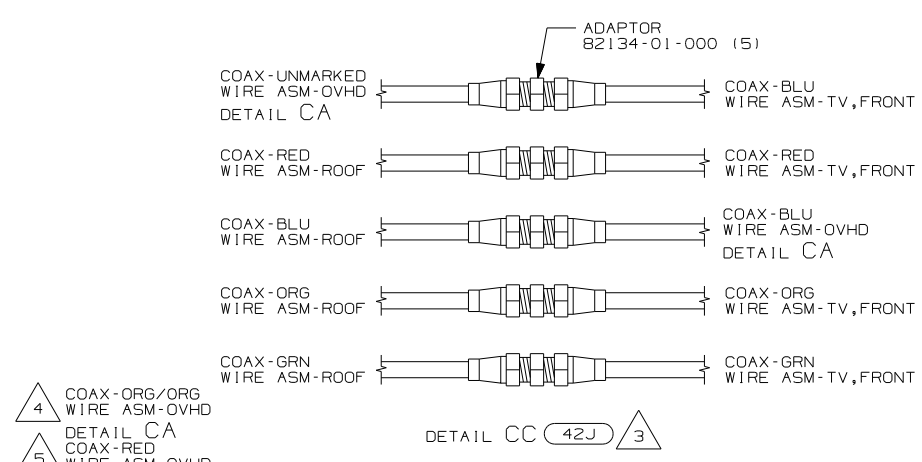
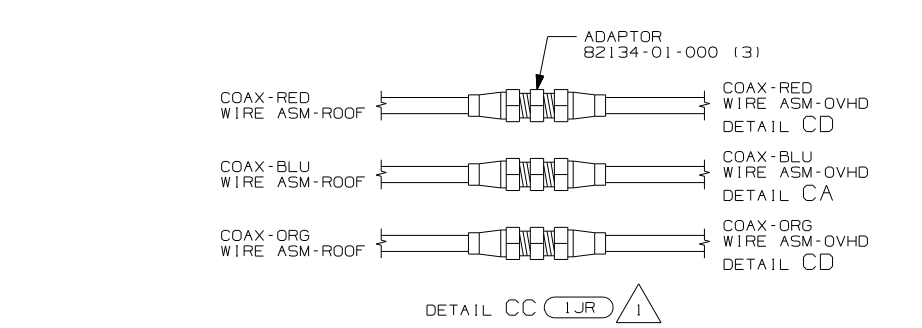
NOTES:

X-X FOR ELECTRICAL CALLOUTS SEE DWG NO. 121339-01-000

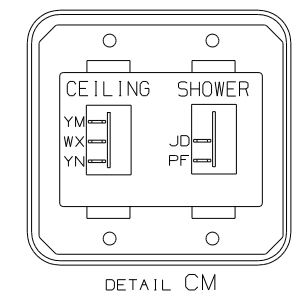
FIRST USED		05 329B	
DO NOT SCALE DRAWING			
TITLE: WIRING INSTL-BODY, 12V			
SHEET 2	PART NO		148939
12/1/2004			



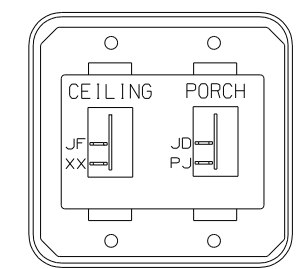
- NOTES:
- 5 CONNECT COAX TO FRONT SIDE OF WALL PLATE.
  - 4 CONNECT COAX TO BACK SIDE OF WALLPLATE.
  - 3 NOT USED WITH 1JR
  - 2 WITHOUT 1D5 USE ADAPTOR TO CONNECT GRN COAX FROM WIRE ASM-ROOF TO GRN COAX FROM WIRE ASM-RIGHT.
  - 1 NOT USED WITH 42J



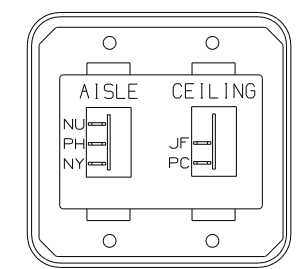
SWITCH-ROCKER 135740-01-CHT  
SWITCH-BASE 135741-01-CHT  
SWITCH-BEZEL 135742-07-CHT  
SCREW 611-08-08U (2)



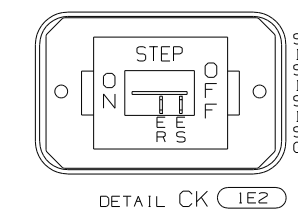
SWITCH-ROCKER 135740-01-CHT  
SWITCH-BASE 135741-02-CHT  
SWITCH-BEZEL 135742-15-CHT  
SCREW 611-08-08U (4)



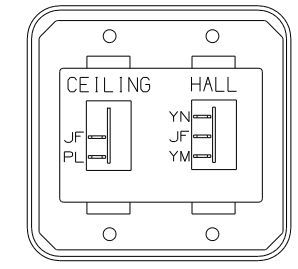
SWITCH-ROCKER 135740-01-CHT (2)  
SWITCH-BASE 135741-02-CHT  
SWITCH-BEZEL 135742-19-CHT  
SCREW 611-08-08U (4)



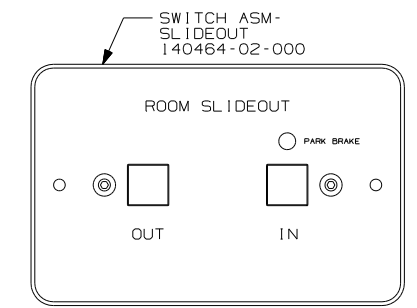
SWITCH-ROCKER 135740-01-CHT  
SWITCH-BASE 135741-02-CHT  
SWITCH-BEZEL 135742-13-CHT  
SCREW 611-08-08U (4)



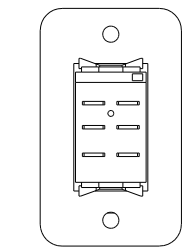
SWITCH-ROCKER 135740-01-CHT  
SWITCH-BASE 135741-01-CHT  
SWITCH-BEZEL 135742-11-CHT  
SCREW 611-08-08U (2)



SWITCH-ROCKER 135740-01-CHT  
SWITCH-BASE 135741-02-CHT  
SWITCH-BEZEL 135742-16-CHT  
SCREW 611-08-08U (4)

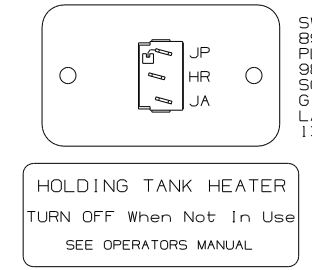


SWITCH ASM-SLIDEOUT 140464-02-000



**WARNING** UNDERSTAND OPERATOR'S MANUAL BEFORE USING. KEEP PEOPLE AND OBSTRUCTIONS CLEAR OF SLIDEOUT ROOM WHEN OPERATING TO AVOID INJURY AND/OR PROPERTY DAMAGE.

DETAIL CL LABEL 116549-01-000



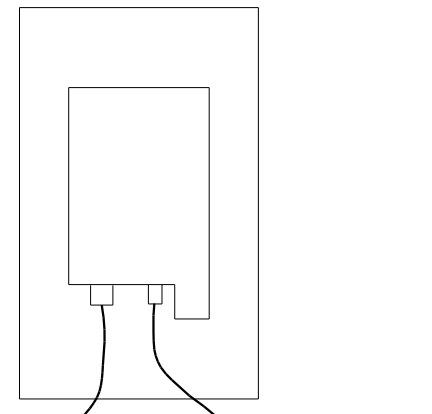
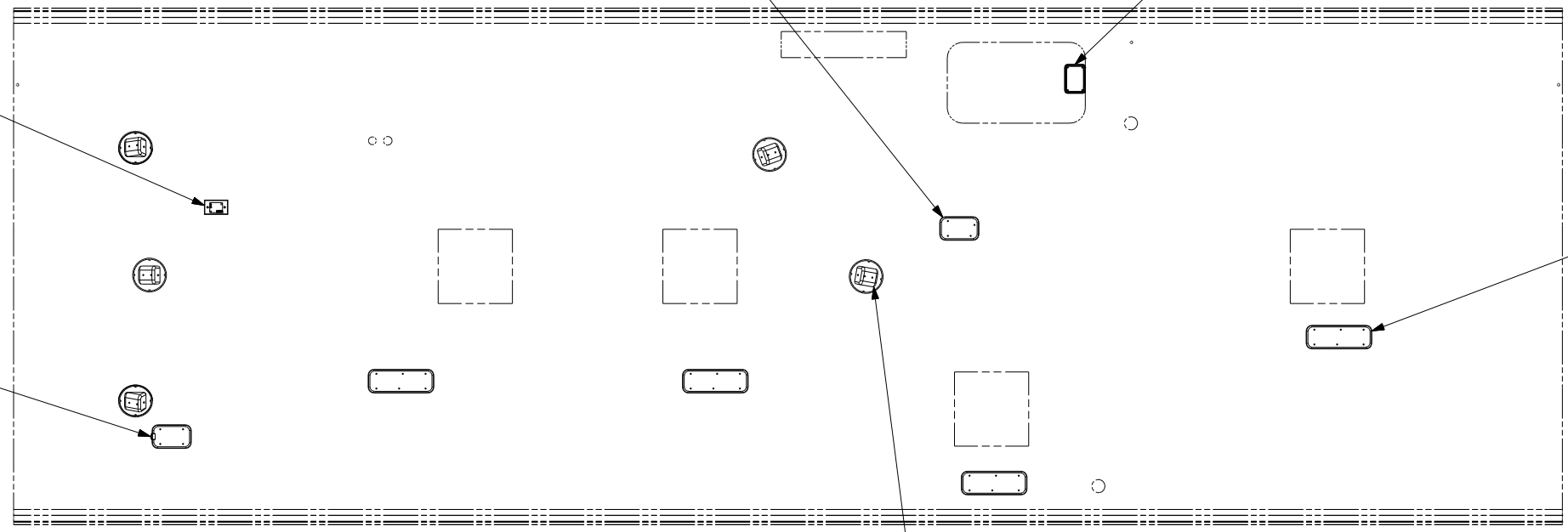
SWITCH-HEATER 89308-05-CHT  
PLATE-SWITCH 98351-01-CHT  
SCREW 611-06-16J (2)  
LABEL-SWITCH 134563-01-CHT

X-X FOR ELECTRICAL CALLOUTS SEE DWG NO. 121339-01-000

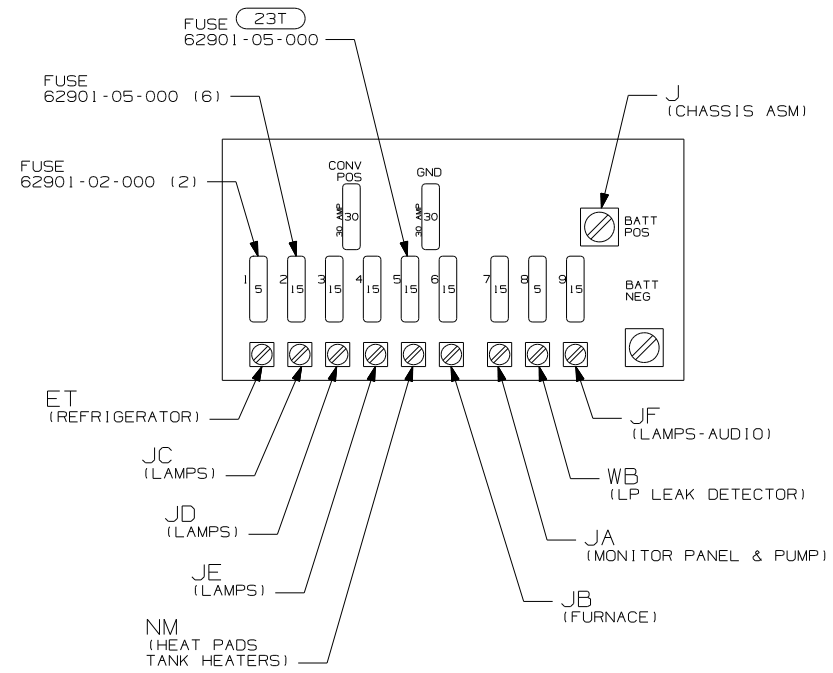
- 1JR TV-13" W/DVD-12V
- 1E2 ENTRANCE STEP-ELEC.
- 23T DRAINAGE SYSTEM-HEATED
- 42J TV-24" COLOR, STEREO W/REMOTE
- 1D5 ENTERTAINMENT CENTR/EXT W/CD

FIRST USED		05 329B	
DO NOT SCALE DRAWING			
TITLE: WIRING INSTL-BODY, 12V			
SHEET 3	PART NO	148939	

SATELLITE ELEVATION SENSOR  
DETAIL DB



DETAIL DB 3



DETAIL DA

- (1JM) HOME THEATER SOUND SYSTEM
- (42J) TV-24" COLOR, STEREO W/REMOTE
- (23T) DRAINAGE SYSTEM-HEATED

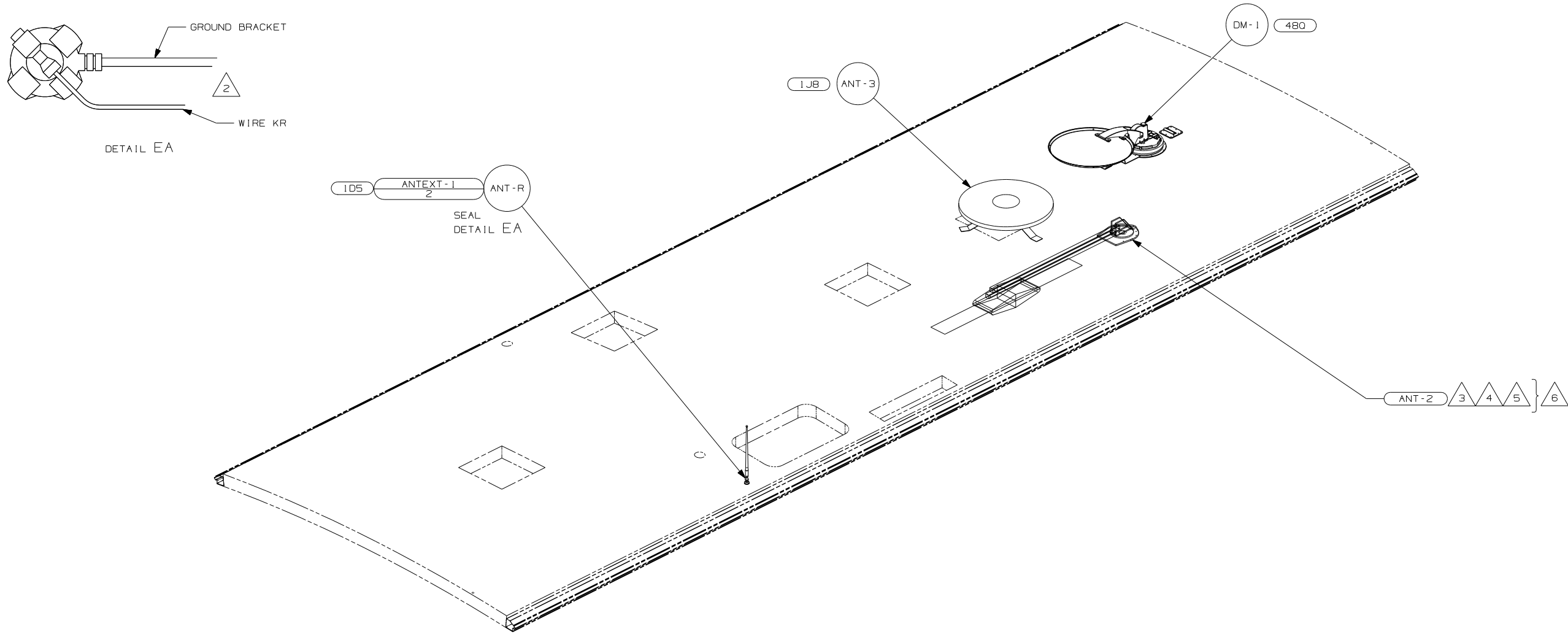
- 3 SENSOR SUPPLIED WITH SATELLITE ASSEMBLY
- 2 NOT USED WITH (42J)
- 1. SEE ROOF ASSEMBLY FOR ADDITIONAL INFORMATION.

NOTES:

FOR ELECTRICAL TORQUE SPECIFICATIONS SEE DWG NO. 128783-01-000

FOR ELECTRICAL CALLOUTS SEE DWG NO. 121339-01-000

FIRST USED	05 329B
DO NOT SCALE DRAWING	
TITLE	WIRING INSTL-BODY, 12V
SHEET 4	PART NO 148939



- △ 6 NOT USE WITH (1J8).
  - △ 5 ADD RUBBER BUMPER TO ROOF UNDER EACH END OF ANTENNA IN DOWN POSITION WHICH MAY COME INTO CONTACT WITH ROOF.
  - △ 4 LOCATE CLAMP TO RETAIN CABLE BUT NOT TO RESTRICT ANTENNA TRAVEL.
  - △ 3 SEE DRAWING 76319-01-000 FOR INSTALLATION OF TV ANTENNA.
  - △ 2 WRAP BRACKET LEGS AROUND ANTENNA BASE.
1. CONNECTOR-PLUG, TRAILER 113589-01-000 TO BE SUPPLIED LOOSE IN COACH WITH TRAILER TOW PACKAGE.

NOTES:

- (1D5) ENTERTAINMENT CENTR/EXT W/CD
- (1J8) TV ANTENNA-OMNIDIRECTIONAL
- (480) SATELLITE DISH

(X-X)  
FOR ELECTRICAL CALLOUTS SEE DWG NO. 121339-01-000

FIRST USED	05 329B
DO NOT SCALE DRAWING	
TITLE:	WIRING INSTL-BODY, 12V
SHEET 5	PART NO 148939